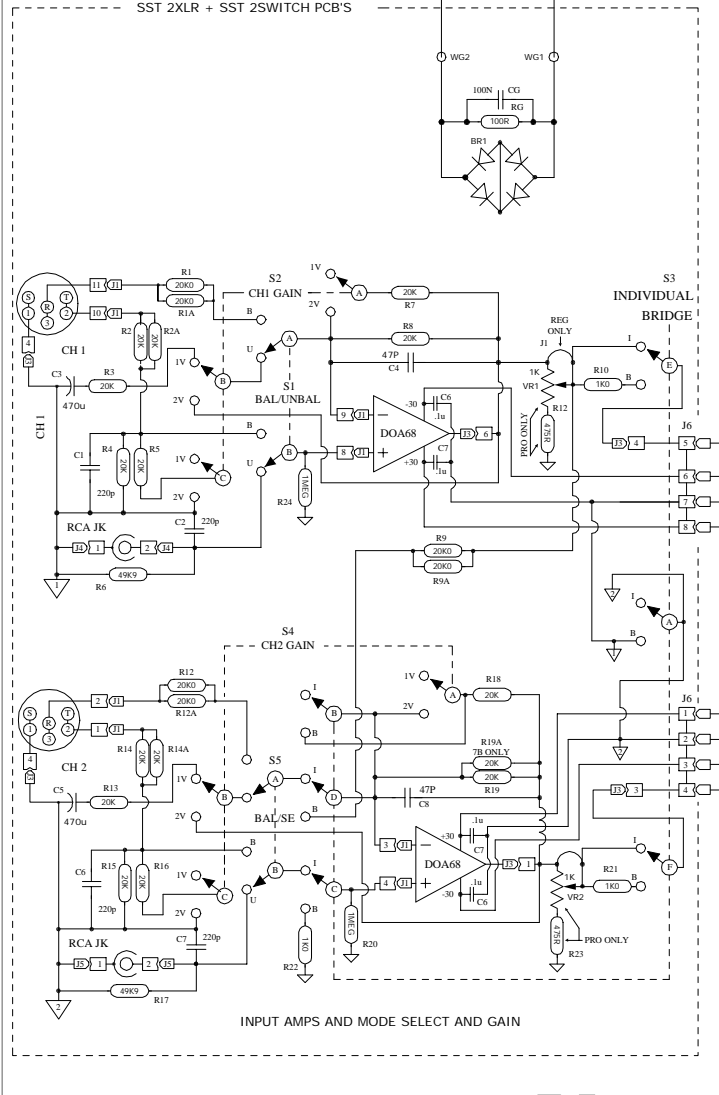


SST 2XLR + SST 2SWITCH PCB'S



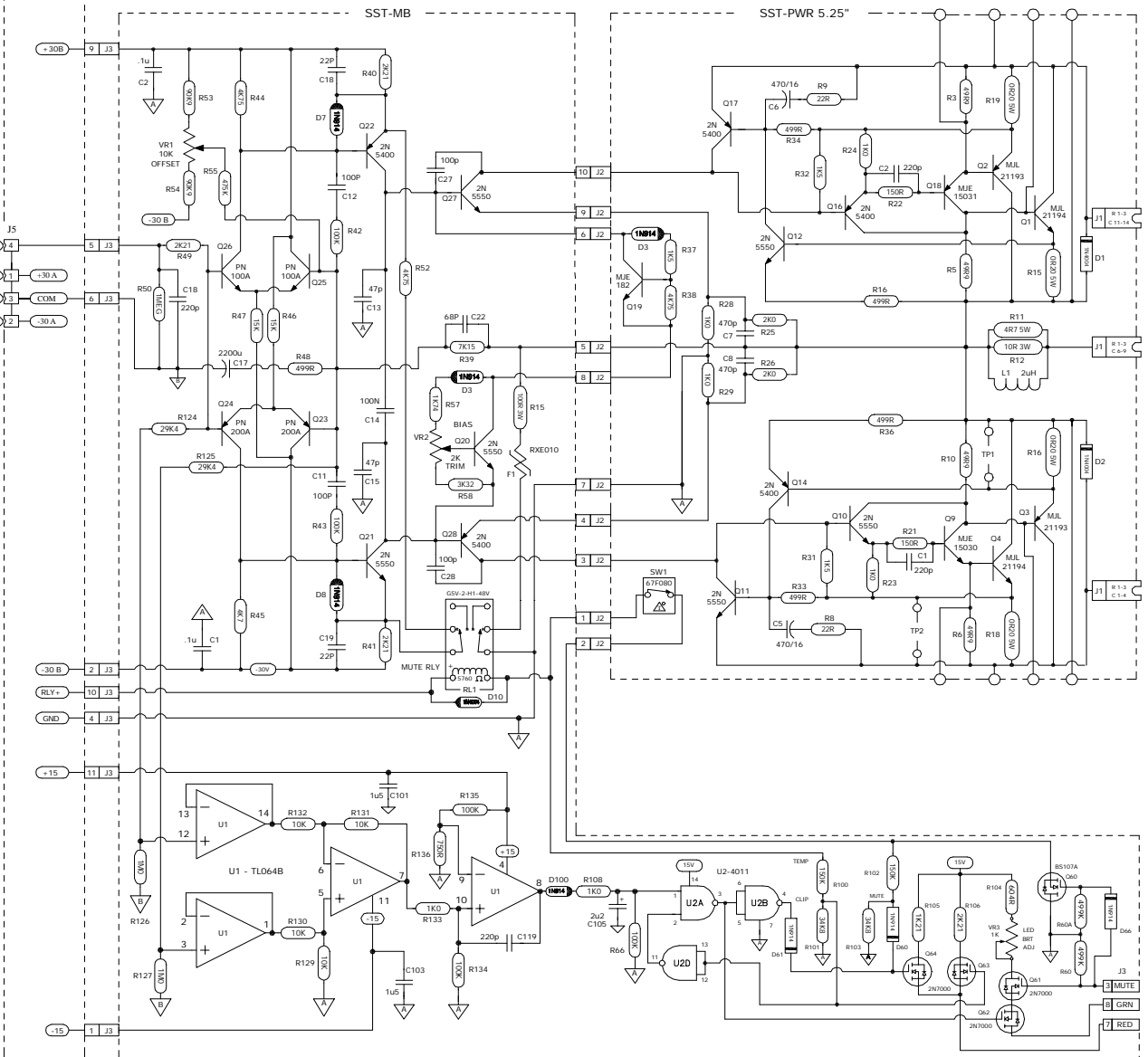
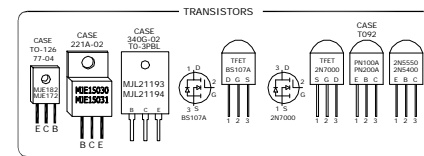
Rev 1c change D3 + D5 ON PSB TO 1N4737.
 Rev 1B change C26, C8 to 10N and R44 to 30K1 on SSB
 REV 1A JULY 9, 02
 ADD R60A 4K99 TO MAIN BOARD

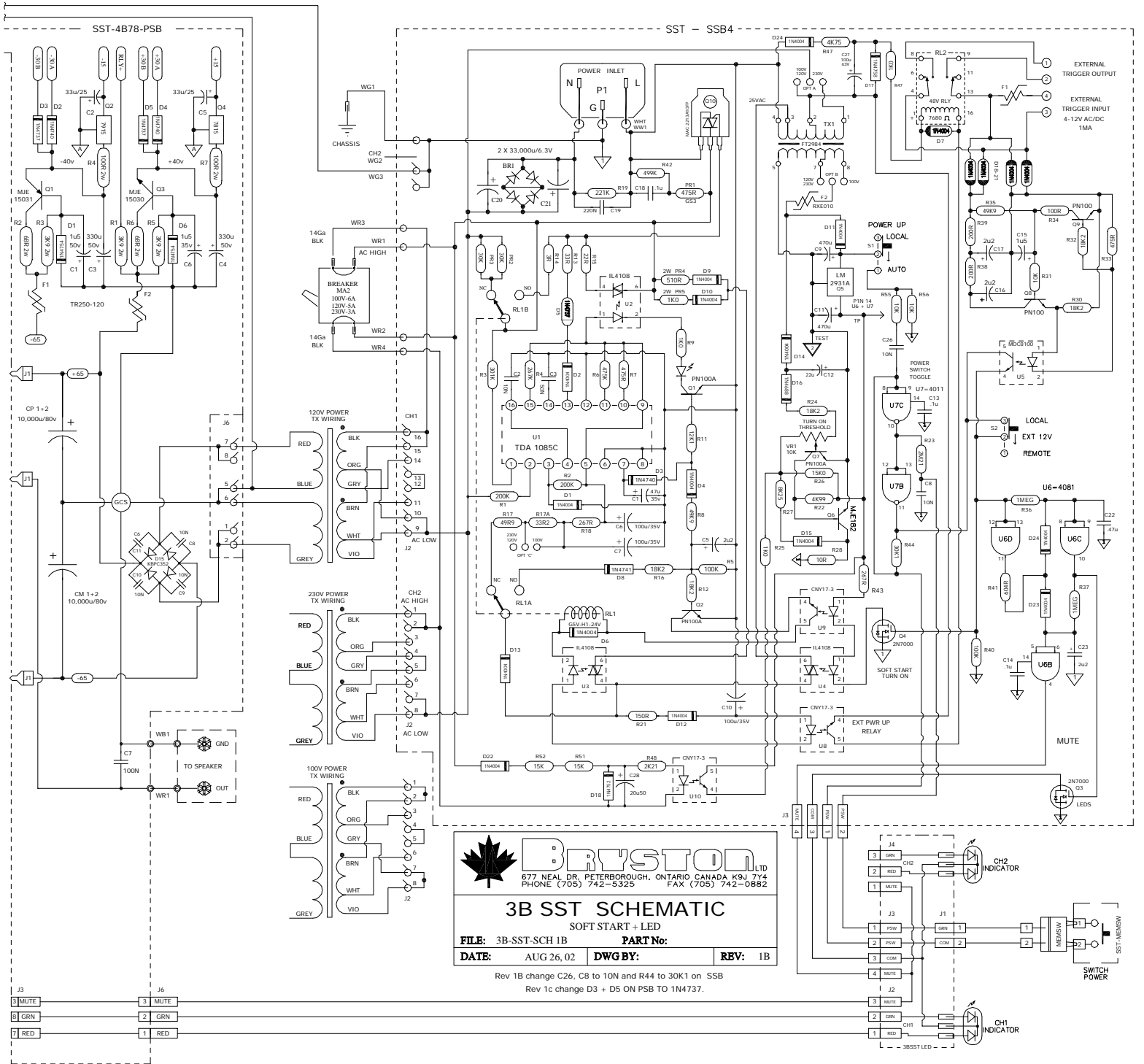
TO CH2 PSB



3B-SST SCHEMATIC
 INPUT - MAIN - POWER AMP

FILE: 3B-SST-SCH-1C PART No:
 DATE: OCT 18, 02 DWG BY: ST REV: 1C






BRUSTONE LTD
 677 NEAL DR. PETERBOROUGH, ONTARIO CANADA K9J 7Y4
 PHONE (705) 742-5325 FAX (705) 742-0882

3B SST SCHEMATIC
 SOFT START + LED

FILE: 3B-SST-SCH 1B	PART No:
DATE: AUG 26, 02	DWG BY:
REV: 1B	

Rev 1B change C26, C8 to 10N and R44 to 30K1 on SSB
 Rev 1c change D3 + D5 ON PSB TO 1N4737.