

REVISIONS F (21/07/03)

DRAWN MH

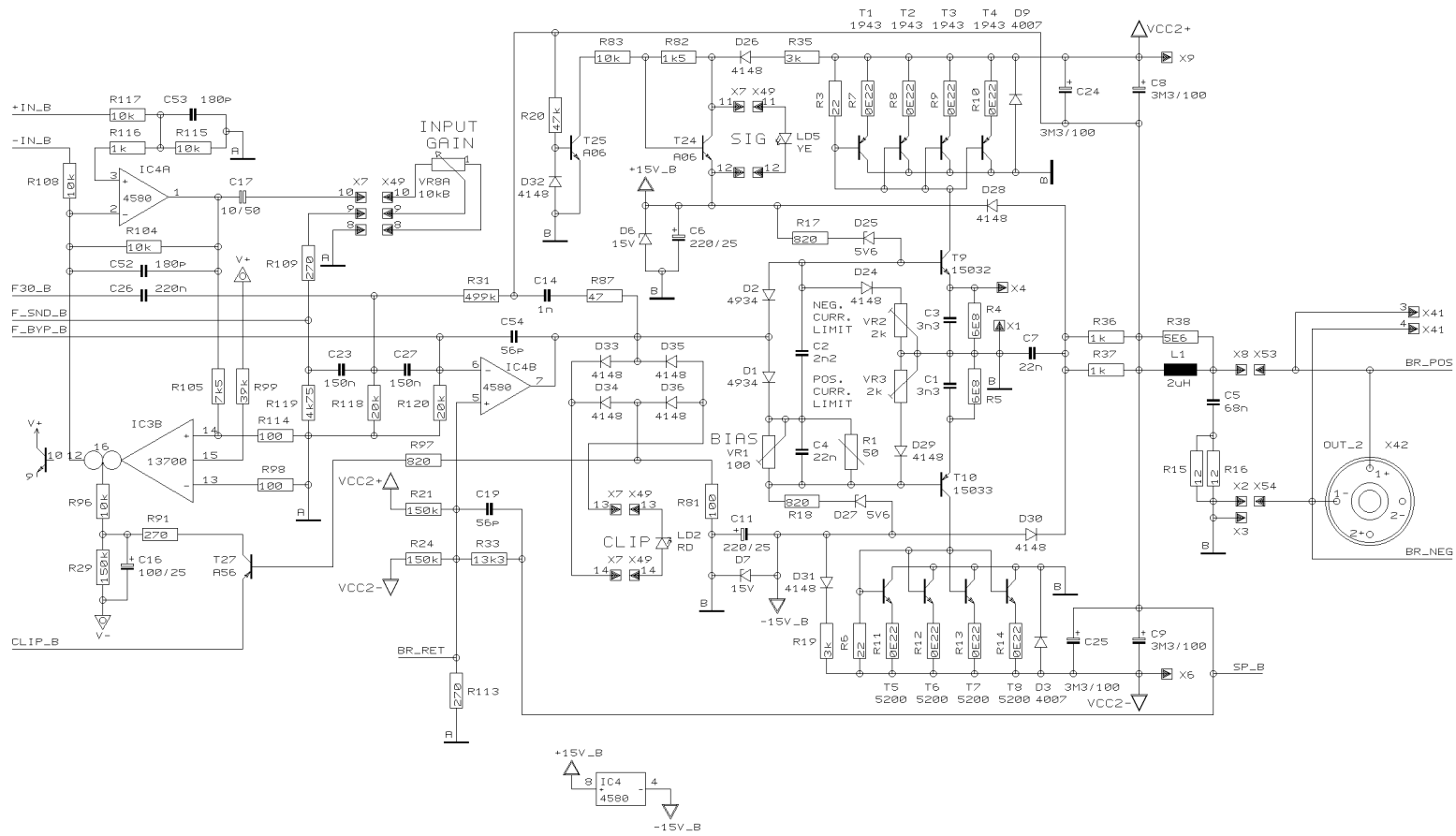
CHECKED

DATE 02.02. 5
12:35



PROJECT
EP1500
EUROPOWER
CHANNEL_1

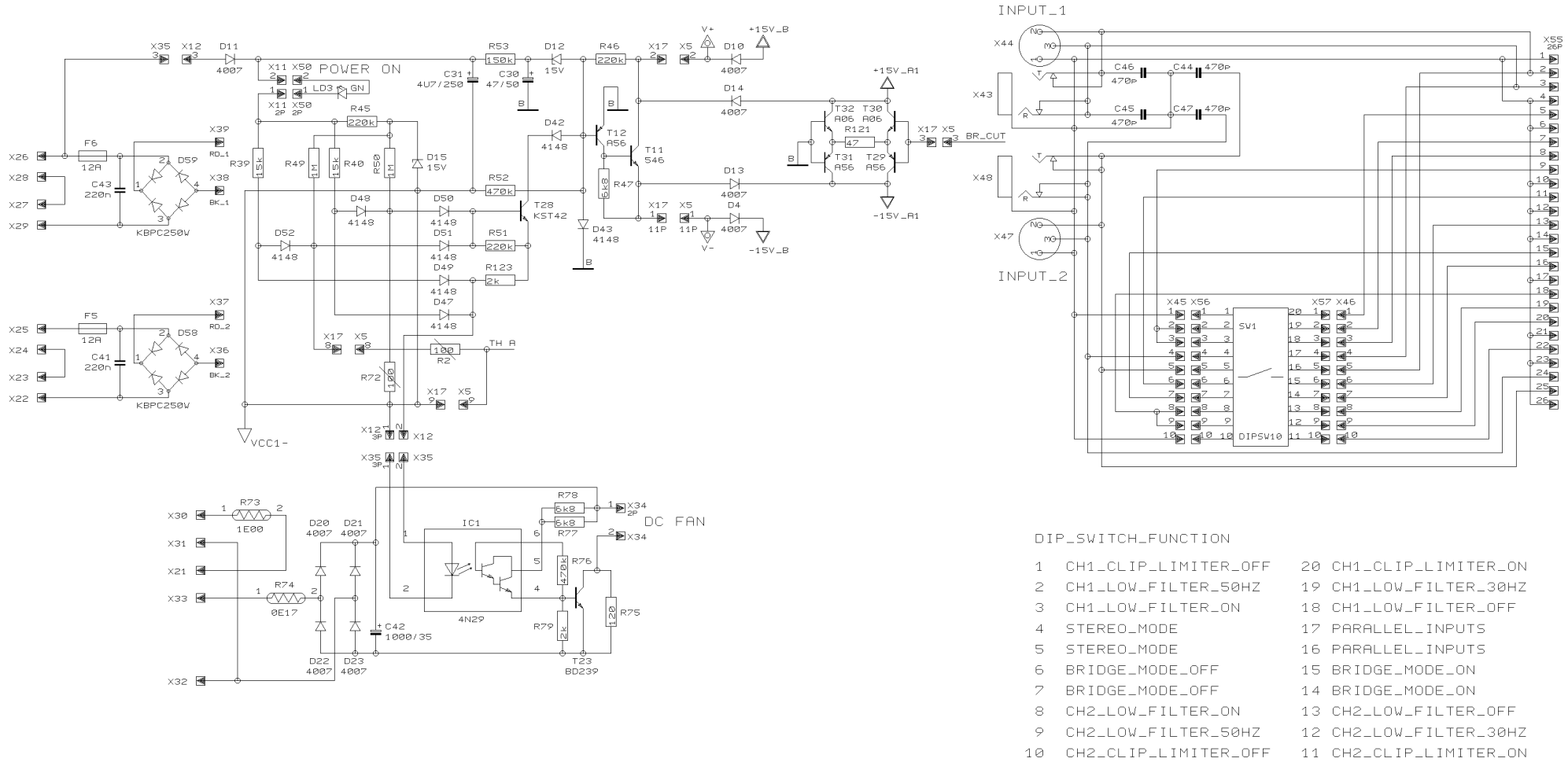
SHEET 1 OF 3 SHEETS TOTAL



REVISIONS	F		
DRAWN	MH	CHECKED	DATE 02.02. 5 12:35



PROJECT
EP1500
EUROPOWER
CHANNEL_2
SHEET 2 OF 3 SHEETS TOTAL



REVISIONS

F

DRAWN
MH

CHECKED

DATE 02.02. 5
12:35

BEHRINGER[®]

Specialized Studio Equipment

PROJECT
EP1500
EUROPOWER
PSU/INPUT STAGE

SHEET 3 OF 3 SHEETS TOTAL