

REVISIONS  
A (13/12/05)

DRAWN  
TD

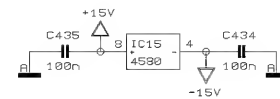
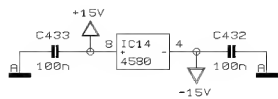
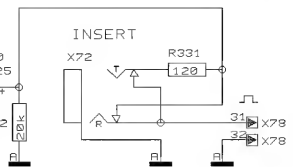
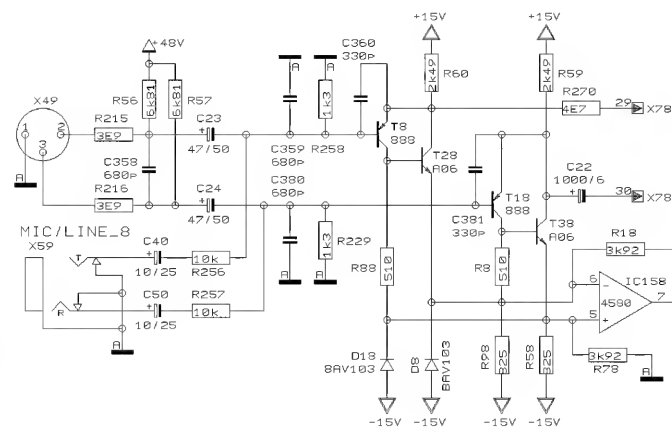
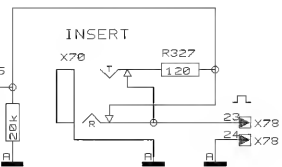
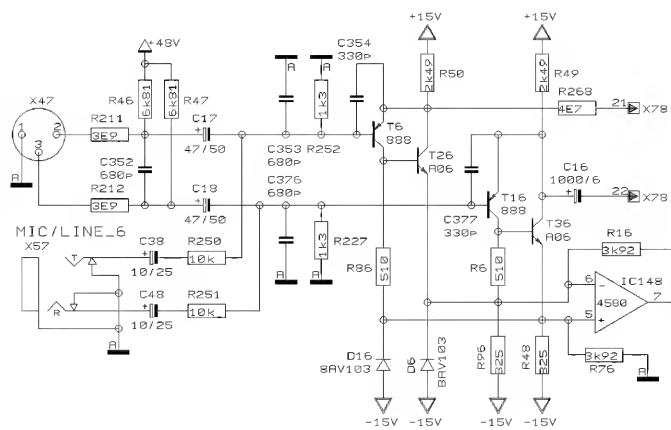
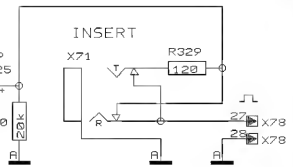
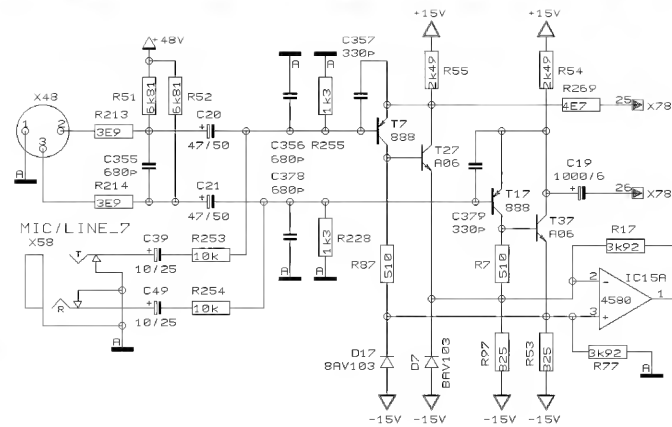
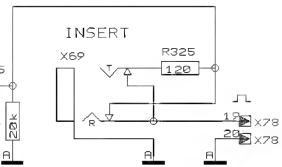
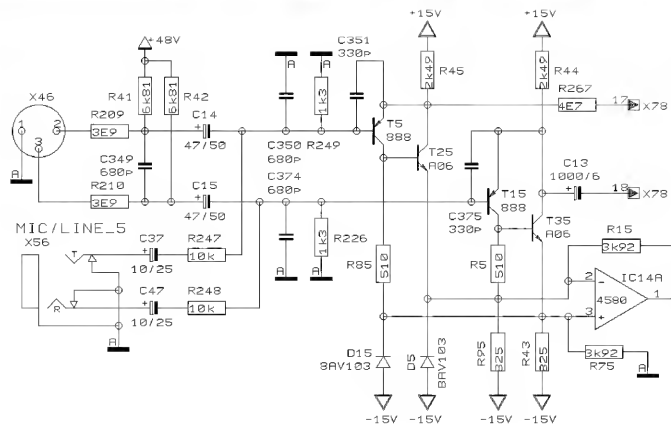
CHECKED

DATE 08.05.7  
16:02

**BEHRINGER**  
Specialized Studio Equipment

PROJECT  
2442FX  
XENYX 2442FX  
MIC INPUT CH. 1-4

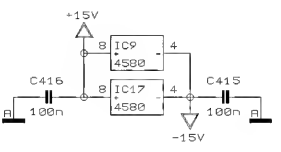
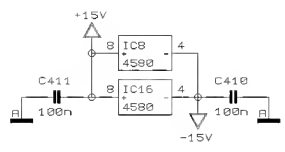
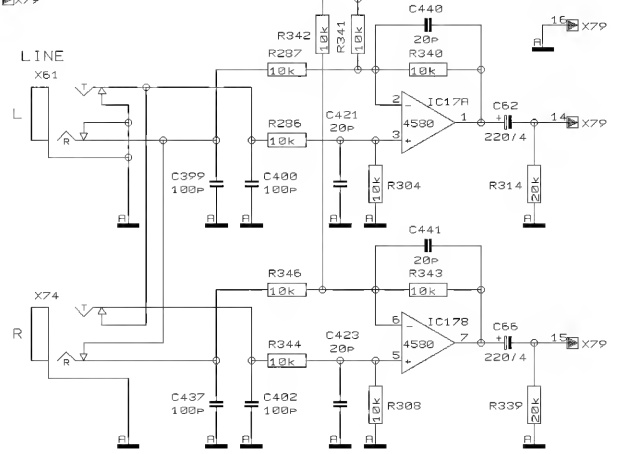
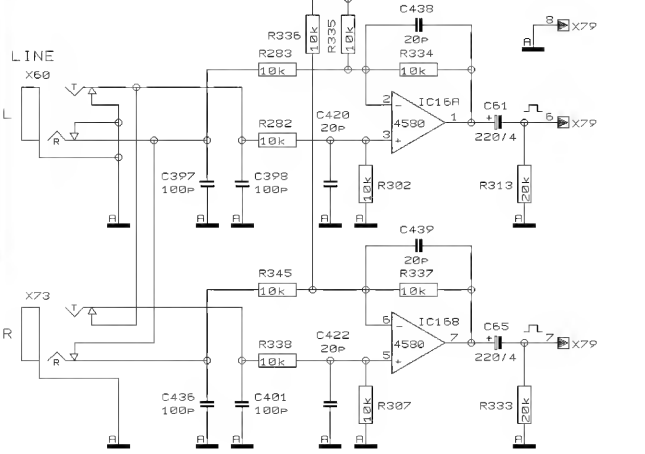
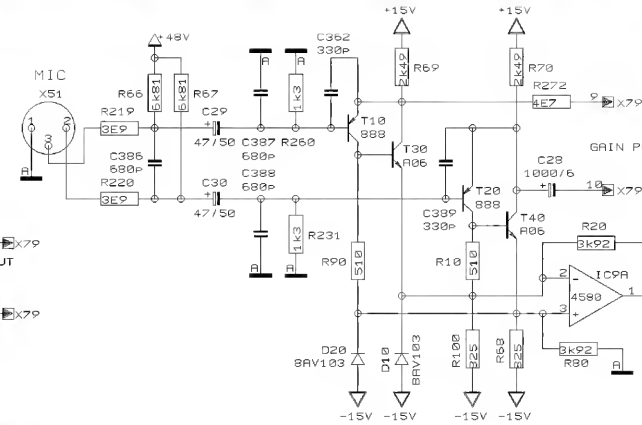
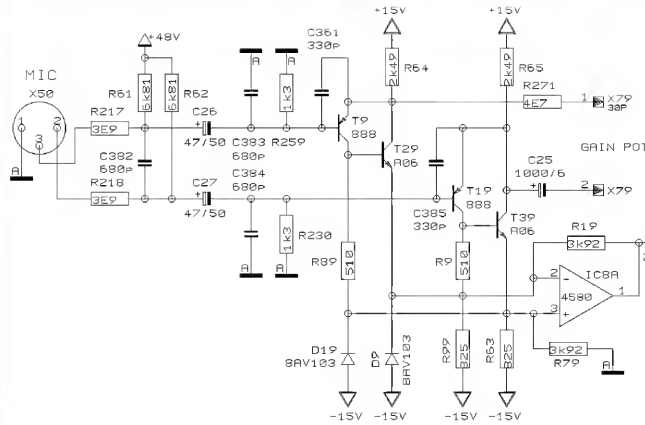
SHEET 1 OF 14 SHEETS TOTAL



REVISIONS		A	
DRAWN	TD	CHECKED	DATE 08.05.7 16:03

Specialized Studio Equipment

PROJECT  
2442FX  
XENYX 2442FX  
MIC INPUT CH. 5-8  
SHEET 2 OF 14 SHEETS TOTAL



REVISIONS  
A

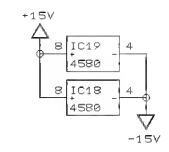
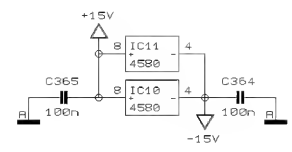
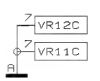
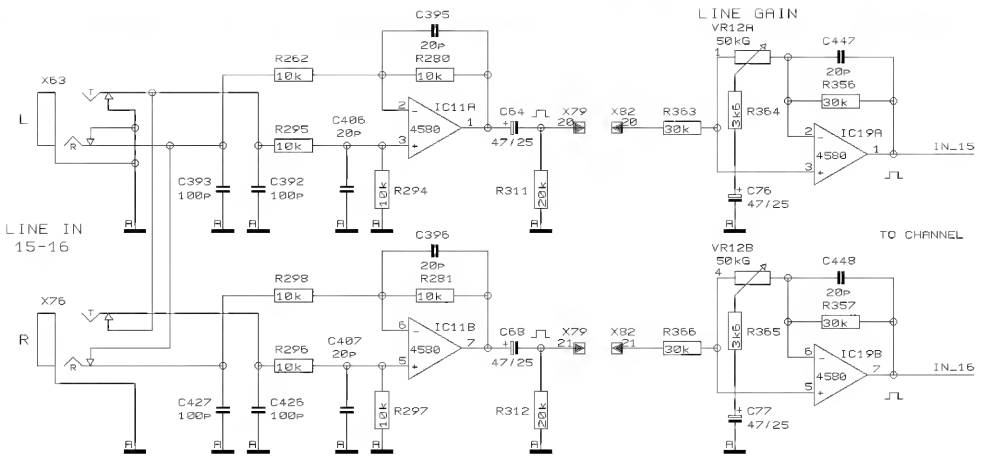
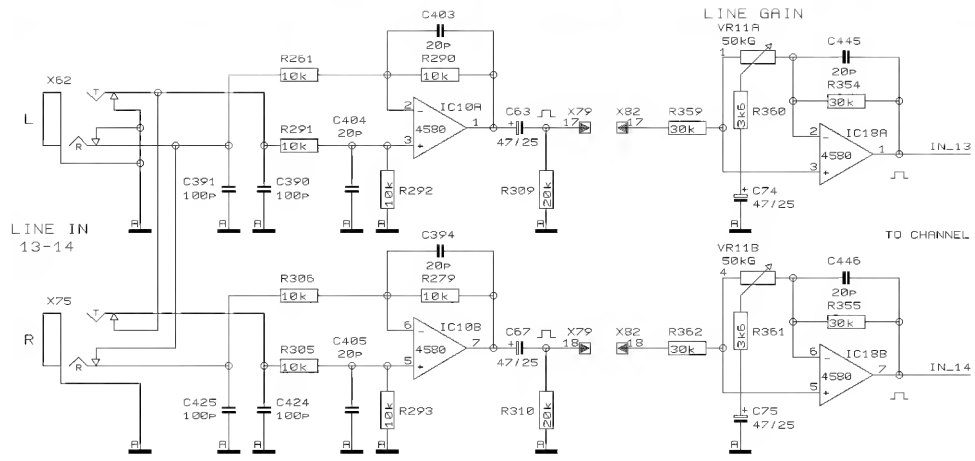
DRAWN TD

CHECKED

DATE 08.05.7  
16:03



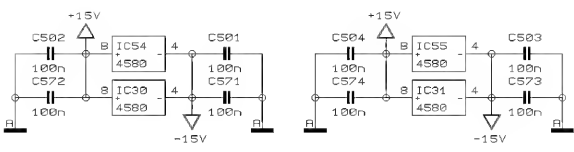
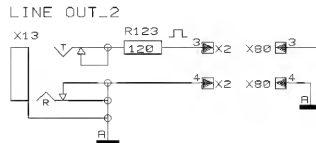
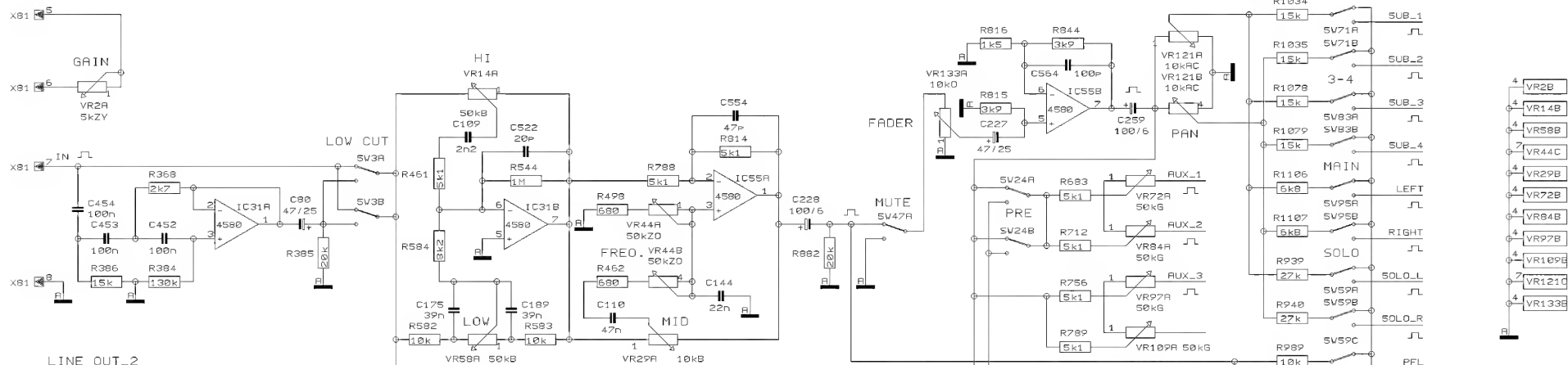
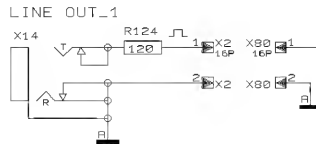
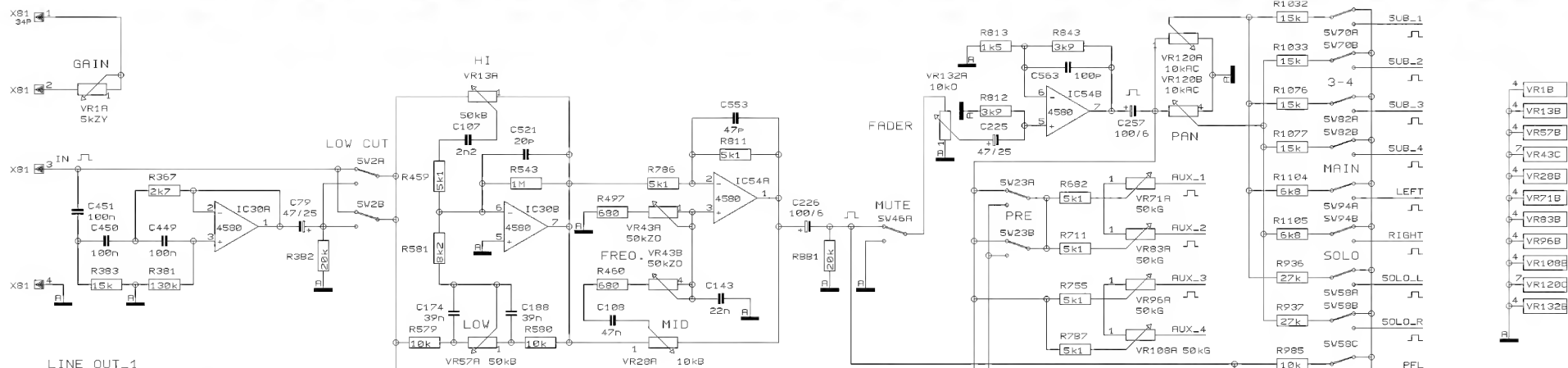
PROJECT  
2442FX  
XENYX 2442FX  
INPUT CH. 9-12  
SHEET 3 OF 14 SHEETS TOTAL



REVISIONS		A
DRAWN	TD	CHECKED
DATE		08.05.7 16:03



PROJECT  
2442FX  
XENYX 2442FX  
INPUT CH. 13-16  
SHEET 4 OF 14 SHEETS TOTAL



REVISIONS A

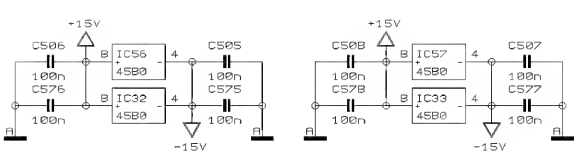
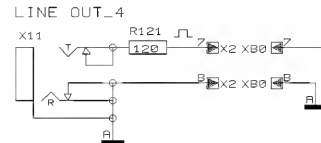
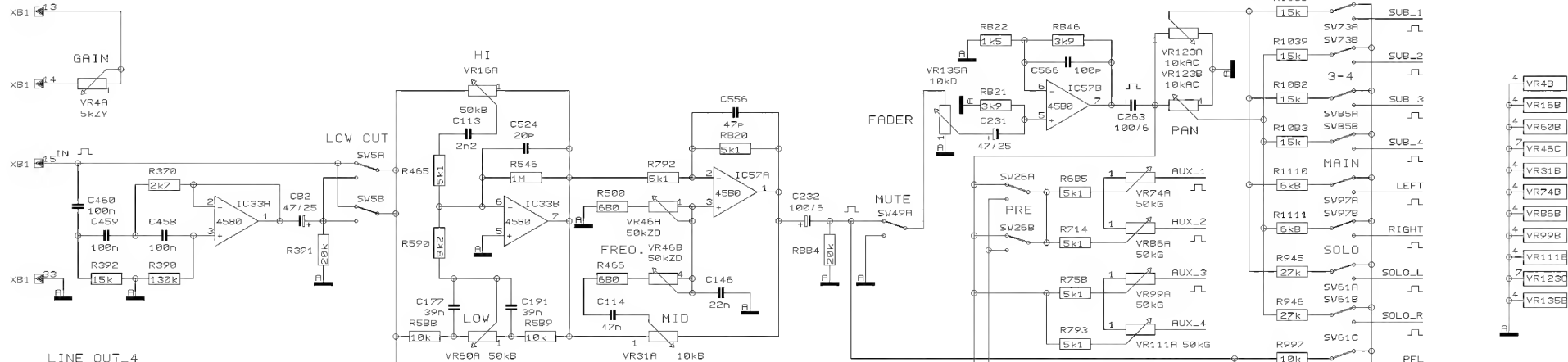
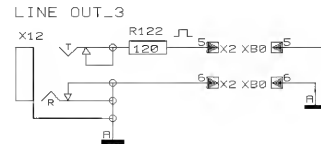
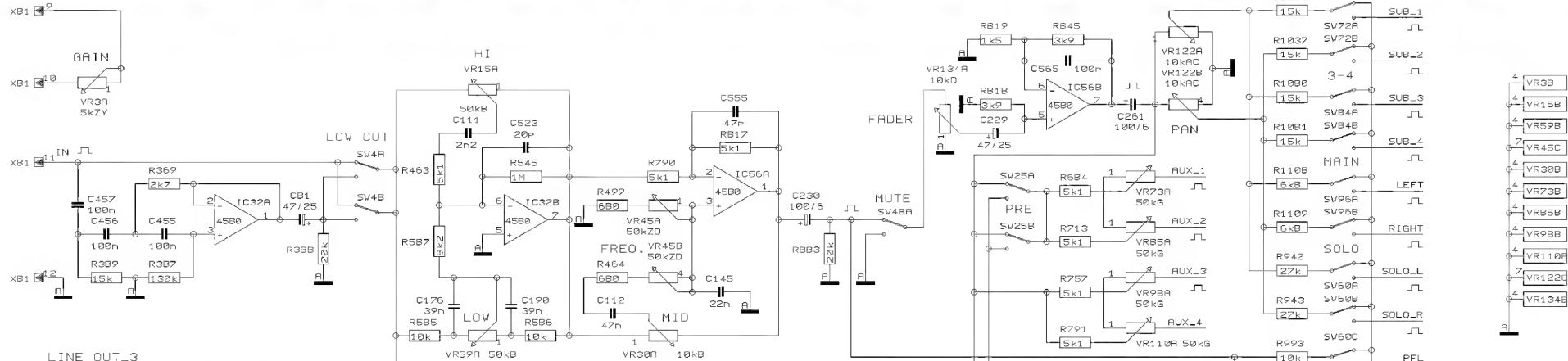
DRAWN TD

CHECKED

DATE 08.05.7  
16:03



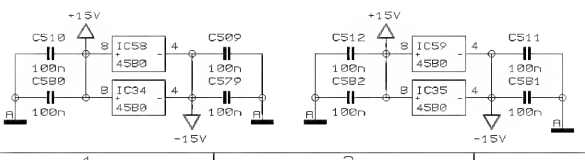
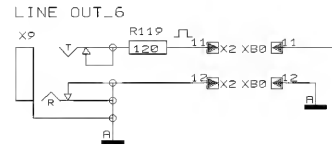
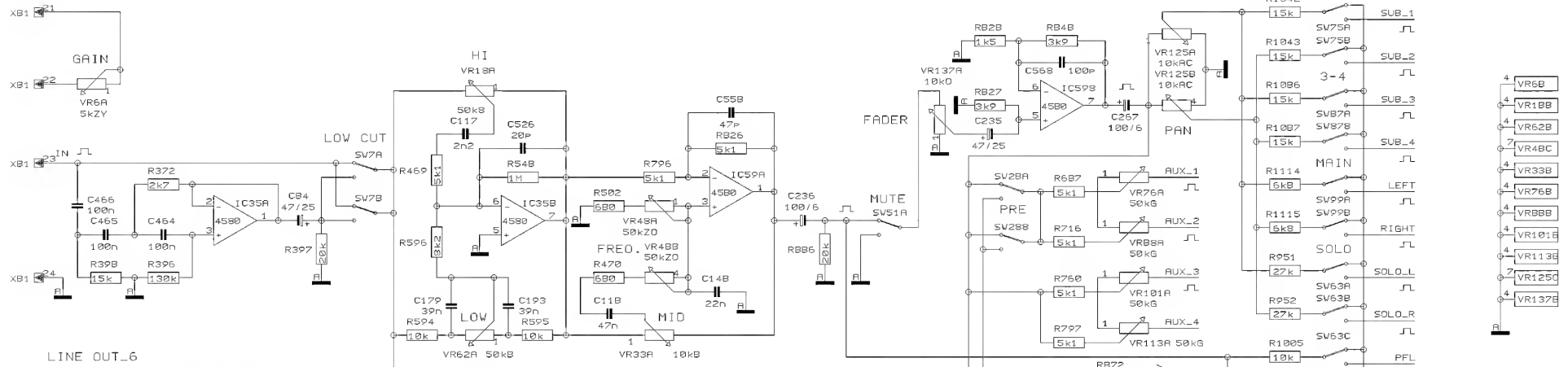
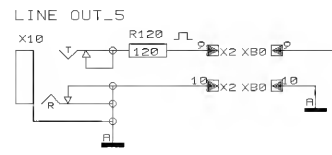
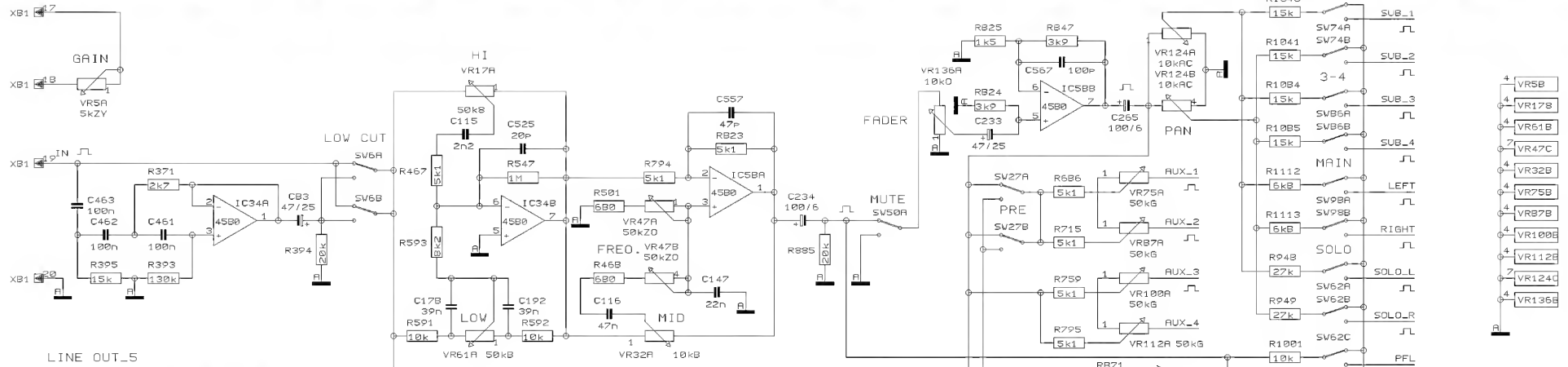
PROJECT  
2442FX  
XENYX 2442FX  
CHANNEL 1 & 2  
SHEET 5 OF 14 SHEETS TOTAL



REVISIONS	A	
DRAWN	TD	CHECKED
DATE	08.05.7 16:03	



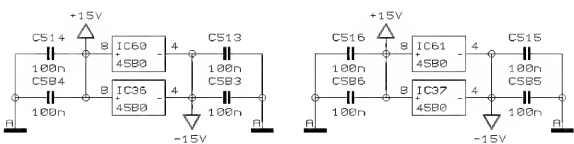
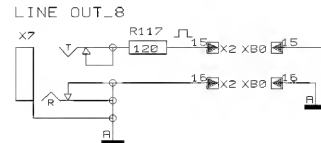
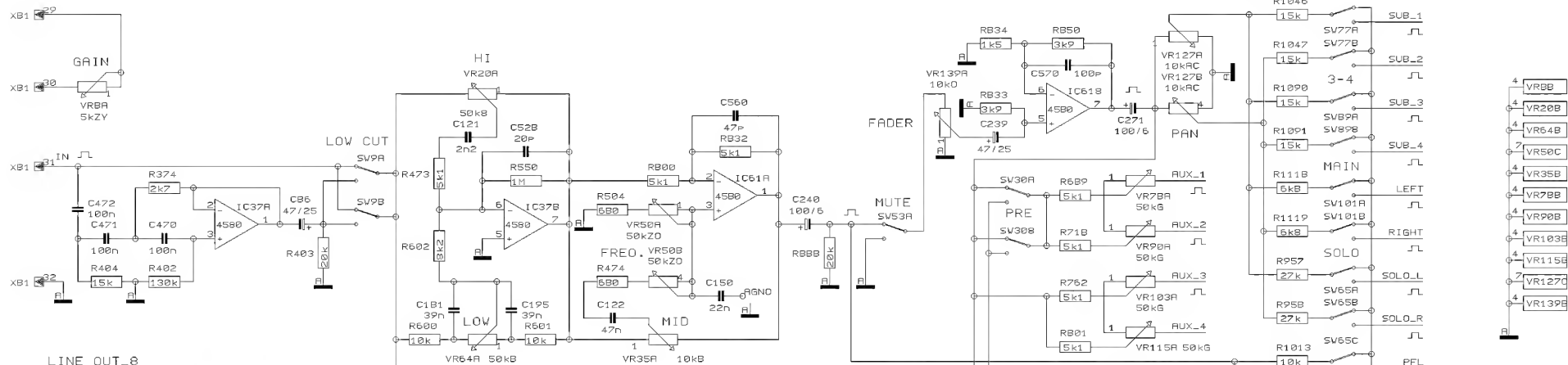
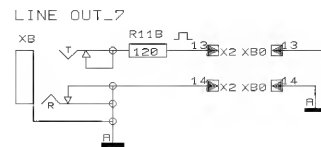
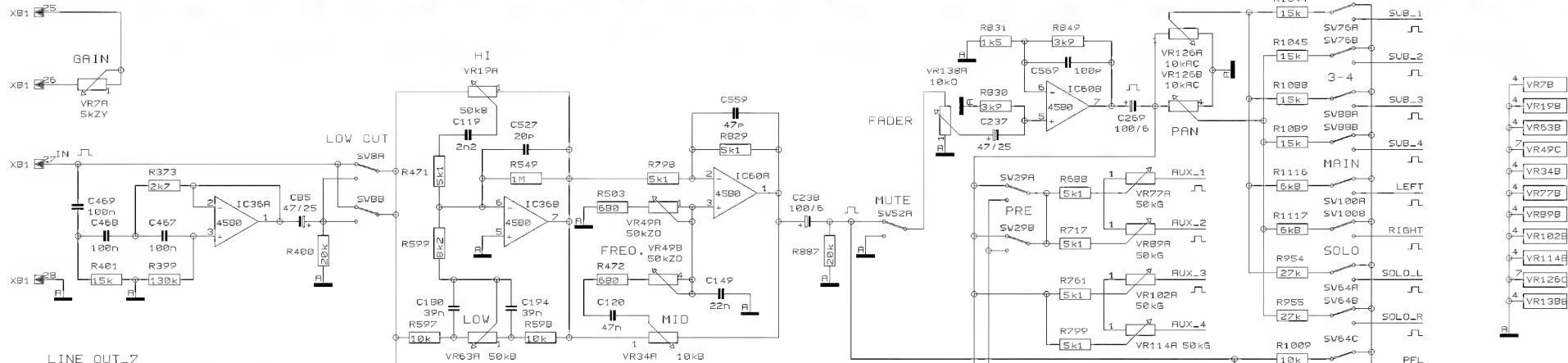
PROJECT  
2442FX  
XENYX 2442FX  
CHANNEL 3 & 4  
SHEET 6 OF 14 SHEETS TOTAL



REVISIONS		
A		
DRAWN	TD	CHECKED
DATE		08.05.7
		16:03



PROJECT  
2442FX  
XENYX 2442FX  
CHANNEL 5 & 6  
SHEET 7 OF 14 SHEETS TOTAL



REVISIONS  
A

DRAWN TD

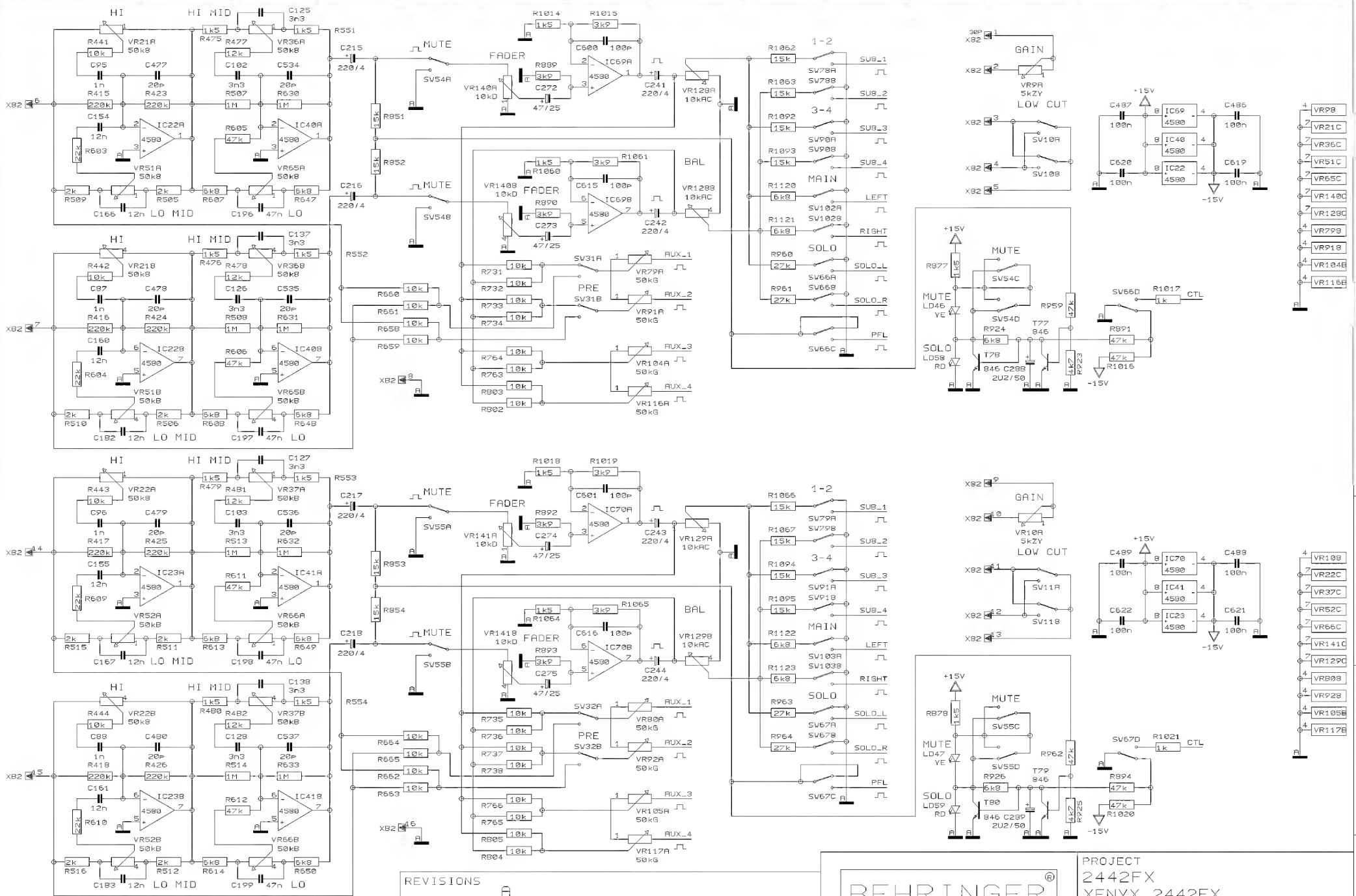
CHECKED

DATE 08.05.7  
16:03



PROJECT  
2442FX  
XENYX 2442FX  
CHANNEL 7 & 8  
SHEET 8 OF 14 SHEETS TOTAL



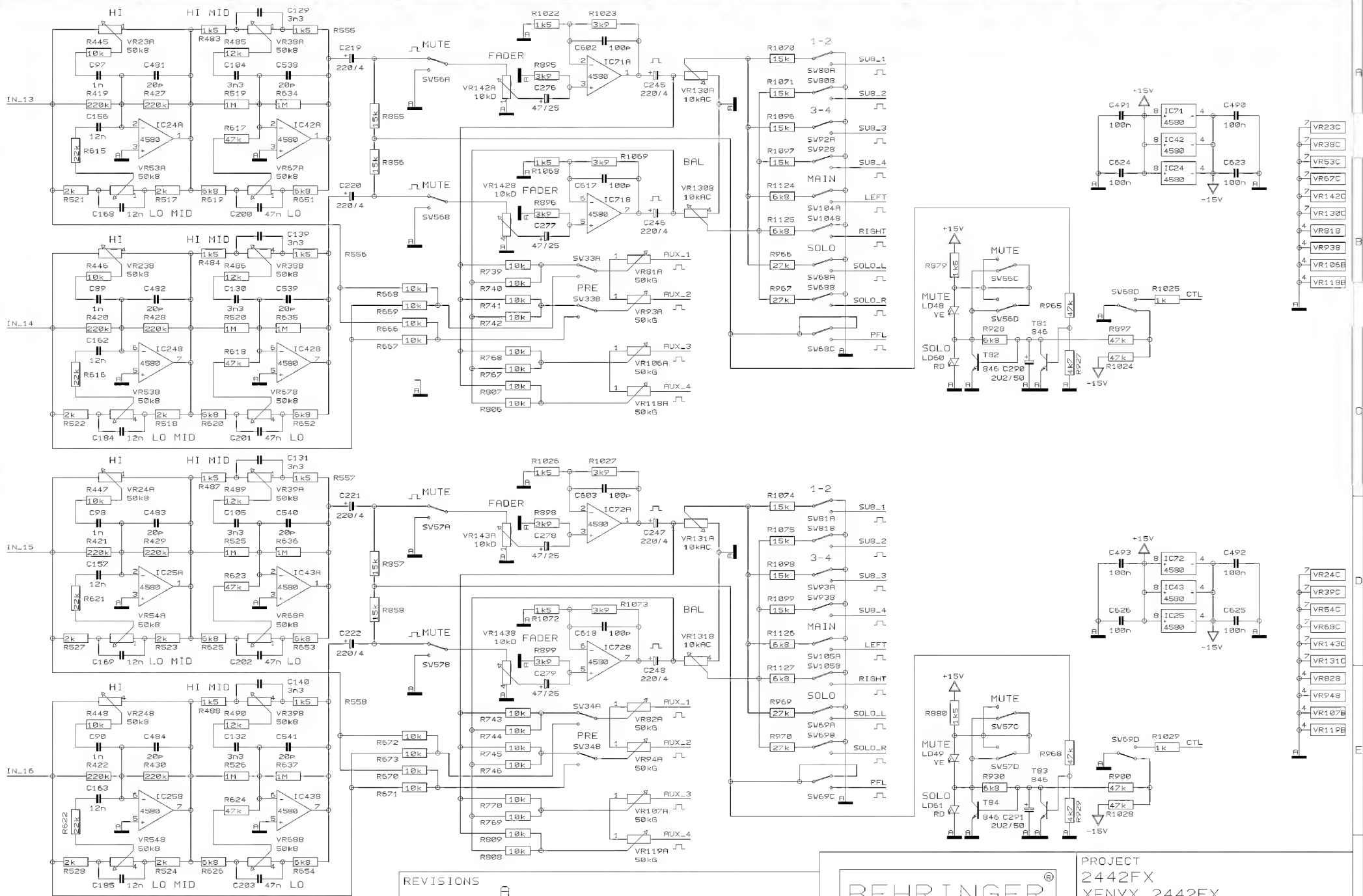


REVISIONS  
A

DRAWN	TD	CHECKED	DATE 08.05.7 16:03
-------	----	---------	-----------------------



PROJECT  
2442FX  
XENYX 2442FX  
STEREO CHANNEL 9-12  
SHEET 9 OF 14 SHEETS TOTAL

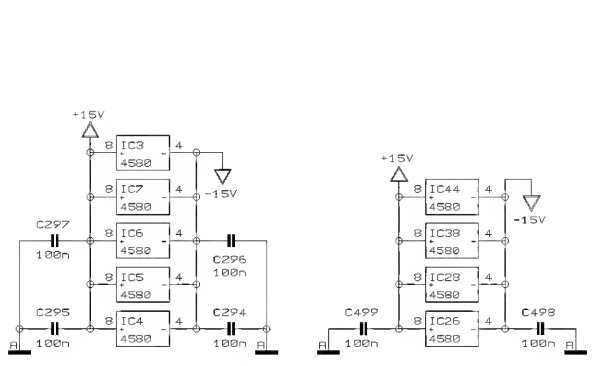
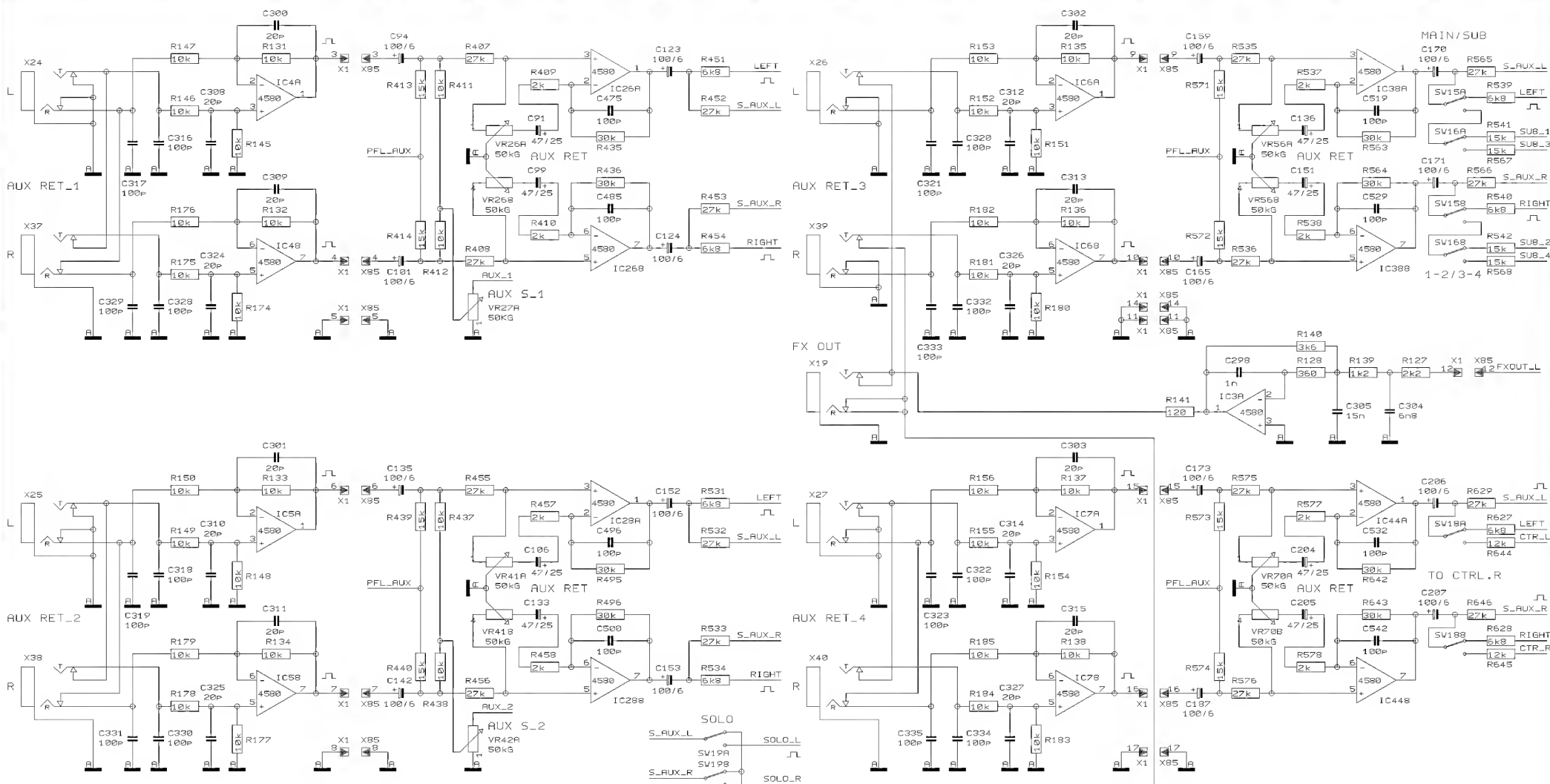


REVISIONS

REVISED	A	DATE	08.05.7
DRAWN	TD	CHECKED	
		DATE	16:03



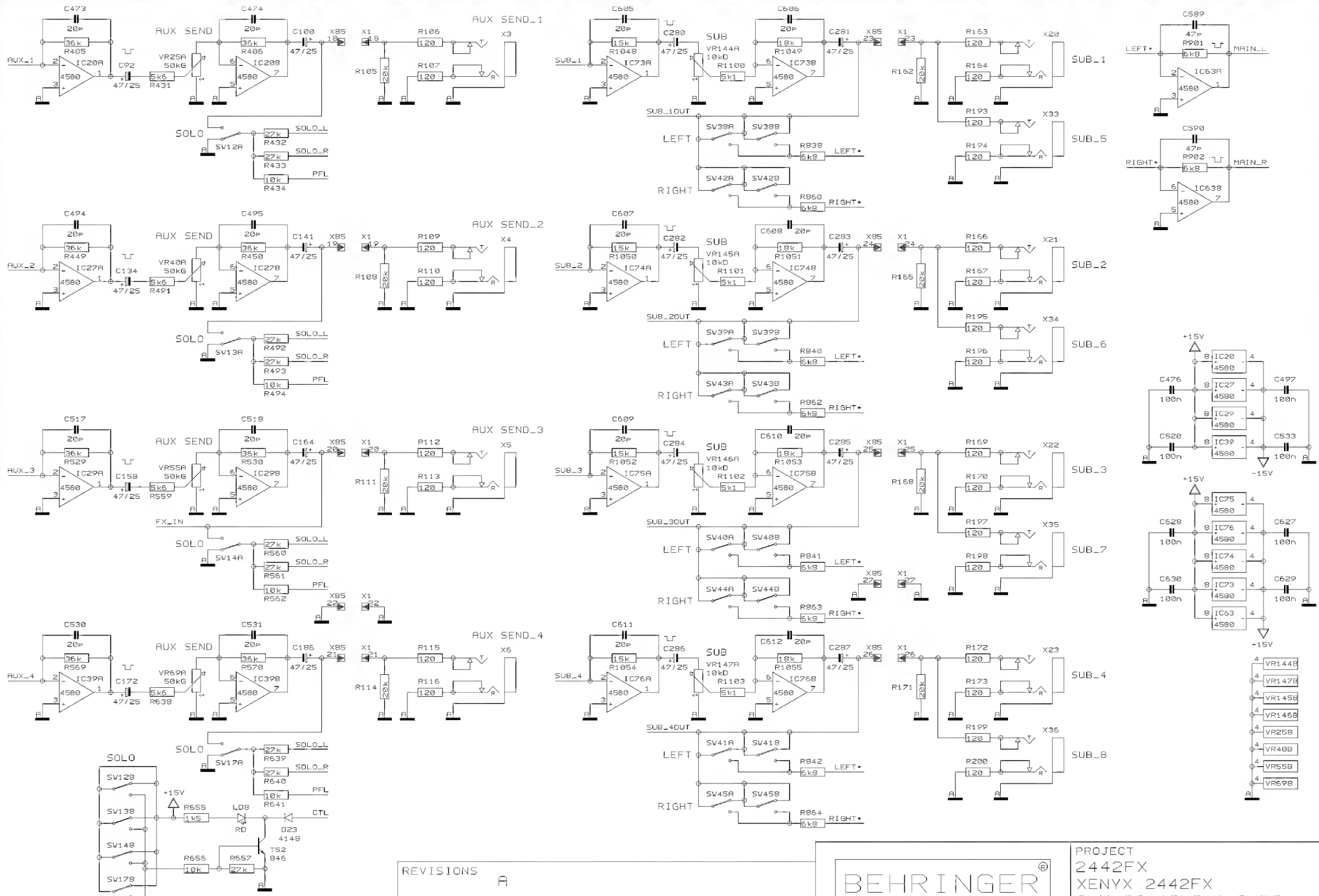
PROJECT  
2442FX  
XENYX 2442FX  
STEREO CHANNEL 13-16  
SHEET 10 OF 14 SHEETS TOTAL



REVISIONS	
A	
DRAWN	TD
CHECKED	
DATE	08.05.7 16:03



PROJECT  
2442FX  
XENYX 2442FX  
AUX RETURNS 1-4  
SHEET 11 OF 14 SHEETS TOTAL



REVISIONS  
A

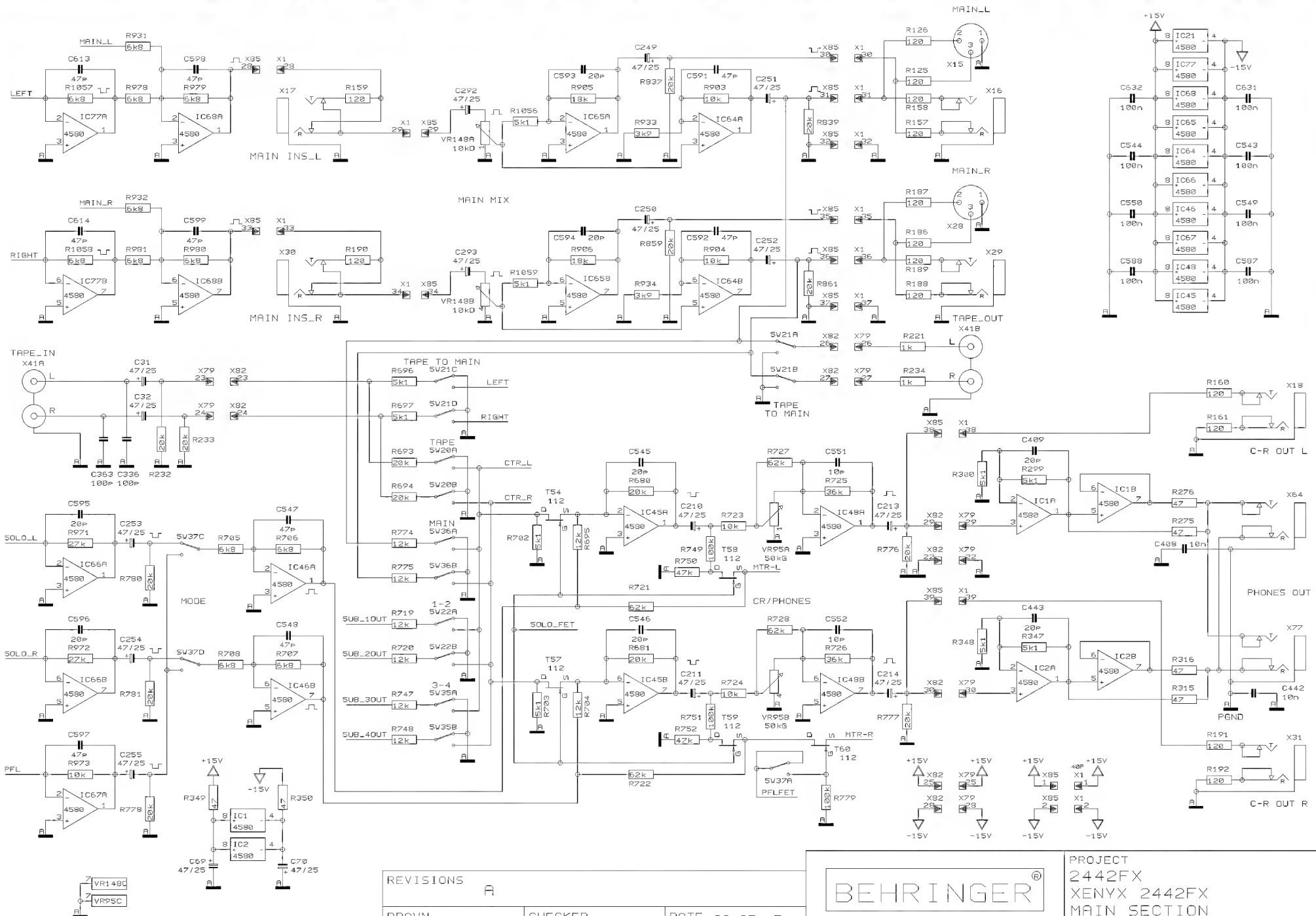
DRAWN TD

CHECKED

DATE 08.05.7  
16:03



PROJECT  
2442FX  
XENYX 2442FX  
AUX SENDS/SUB OUTS 1-4  
SHEET 12 OF 14 SHEETS TOTAL



REVISIONS  
A

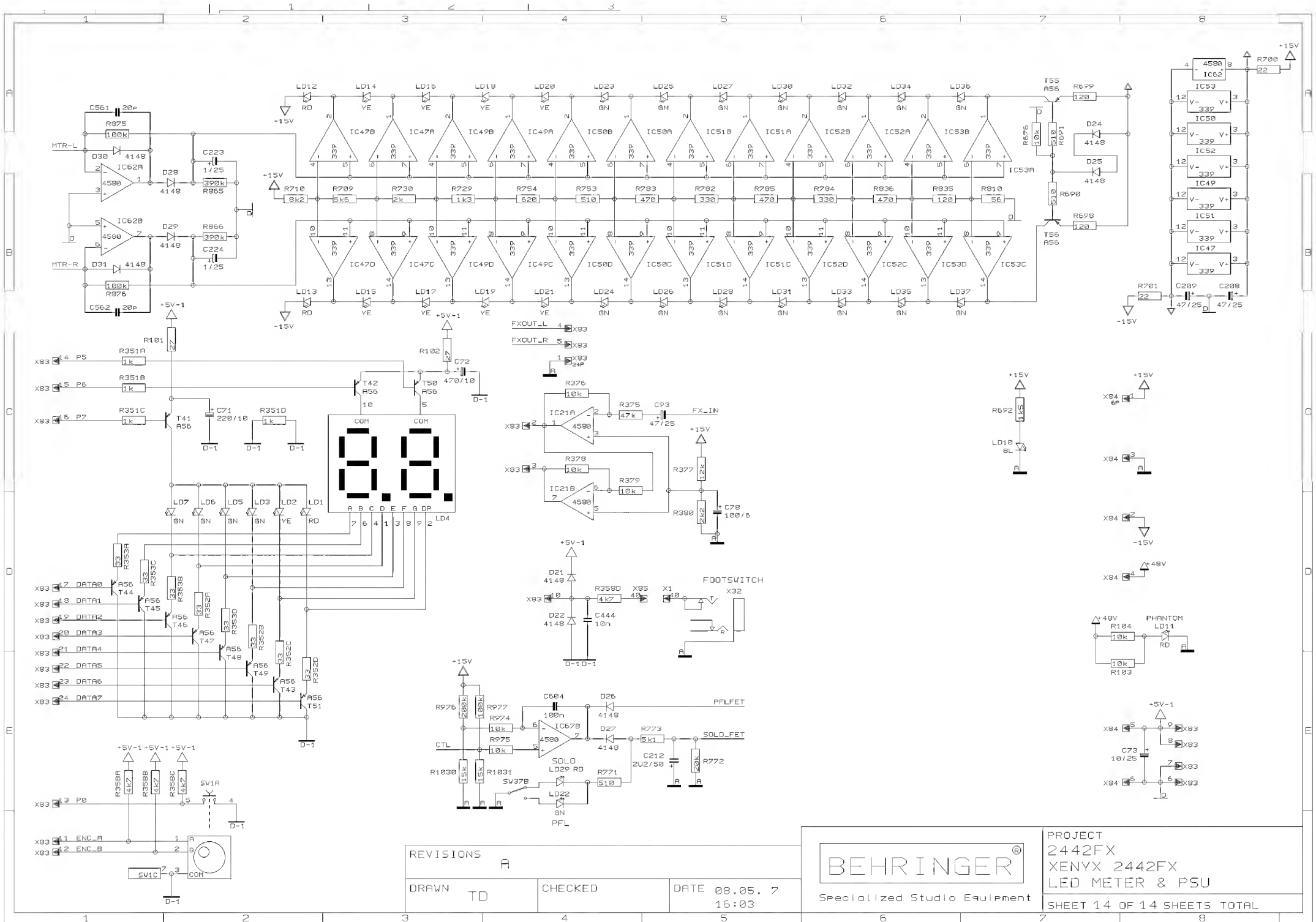
DRAWN TD

CHECKED

DATE 08.05.7  
16:03

**BEHRINGER**  
Specialized Studio Equipment

PROJECT  
2442FX  
XENYX 2442FX  
MAIN SECTION  
SHEET 13 OF 14 SHEETS TOTAL



REVISIONS

A

DRAWN

TD

CHECKED

DATE 08.05.7  
16:03

**BEHRINGER**

Specialized Studio Equipment

PROJECT  
2442FX  
XENYX 2442FX  
LED METER & PSU

SHEET 14 OF 14 SHEETS TOTAL