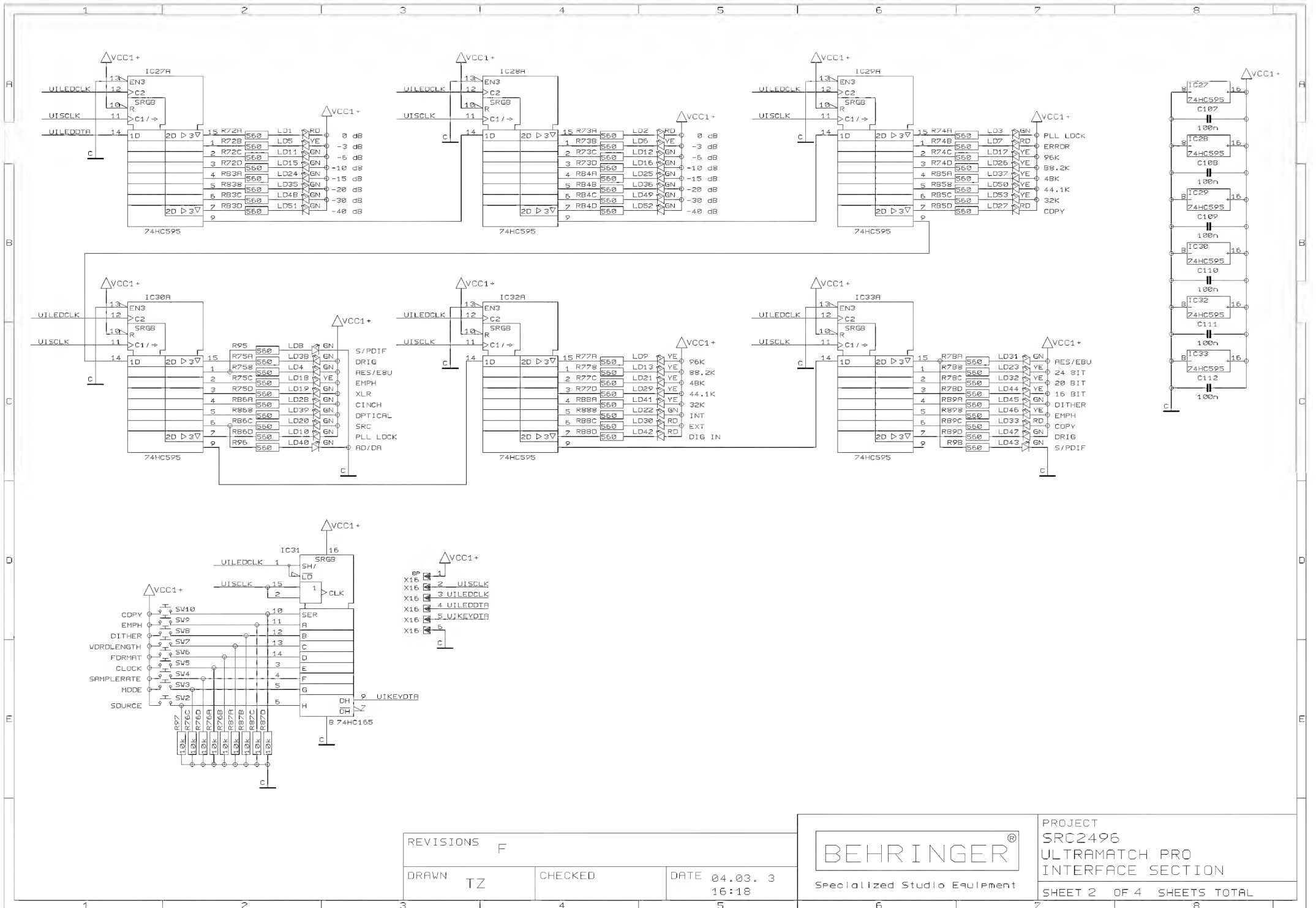


REVISIONS F (30/11/02)

DRAWN TZ CHECKED DATE 04.03. 3 16:18



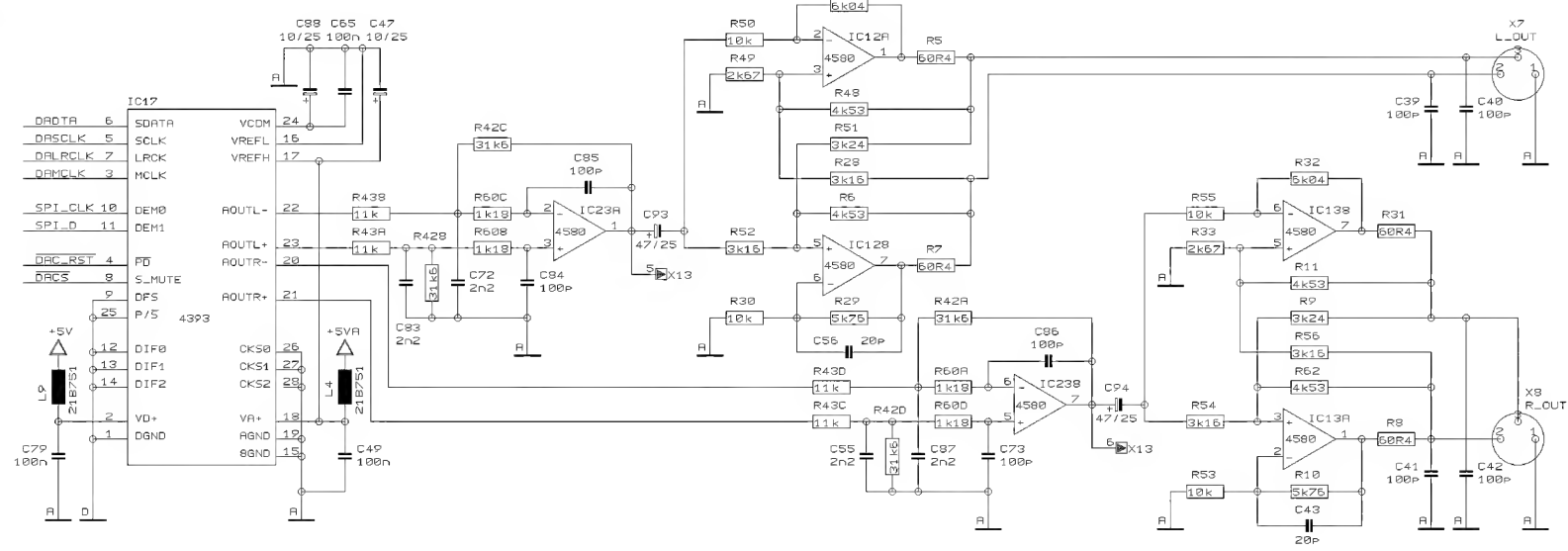
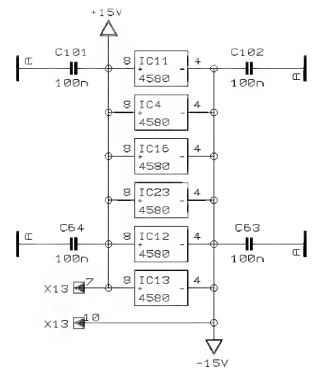
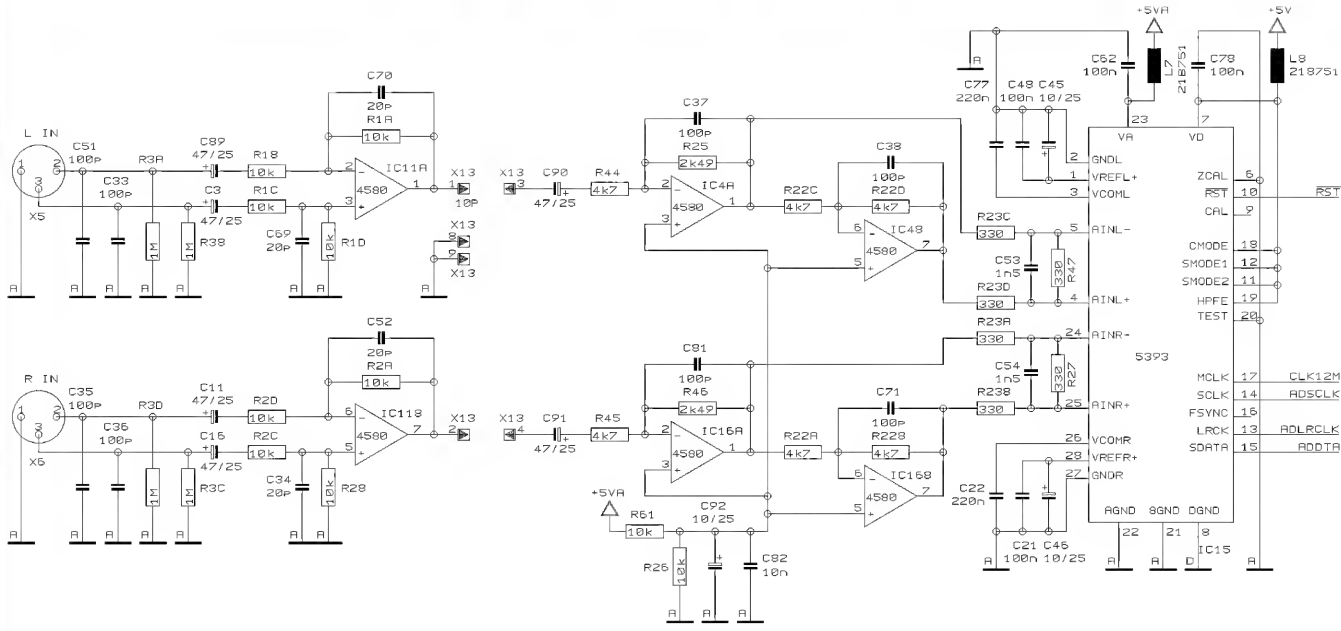
PROJECT SRC2496
 ULTRAMATCH PRO
 DIGITAL I/O & PSU
 SHEET 1 OF 4 SHEETS TOTAL



REVISIONS	F
DRAWN	TZ
CHECKED	
DATE	04.03. 3 16:18


 Specialized Studio Equipment

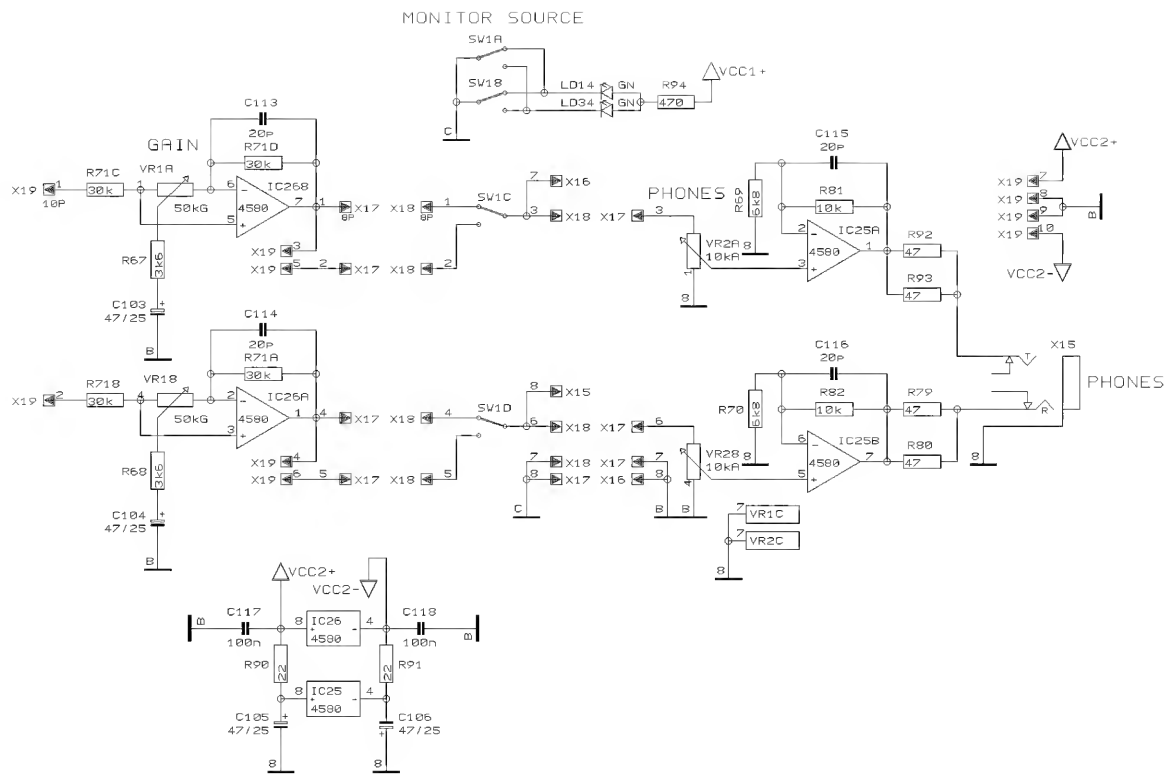
PROJECT SRC2496
 ULTRAMATCH PRO
 INTERFACE SECTION
 SHEET 2 OF 4 SHEETS TOTAL



REVISIONS	F
DRAWN	TZ
CHECKED	
DATE	04.03. 3 16:18



PROJECT SRC2496
 ULTRAMATCH PRO
 ANALOG I/O SECTION
 SHEET 3 OF 4 SHEETS TOTAL



REVISIONS		F
DRAWN	TZ	CHECKED
DATE		04.03. 3 16:18



PROJECT
 SRC2496
 ULTRAMATCH PRO
 HEADPHONE SECTION
 SHEET 4 OF 4 SHEETS TOTAL