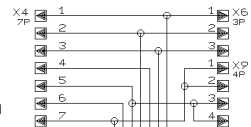
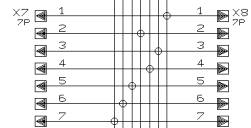


METER BRIDGE  
 (for BA6822 METERBOARDS ONLY !!!)



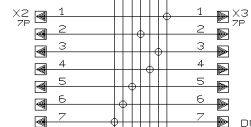
to METER BRIDGE (STANDARD)

to EXPANDER PCB



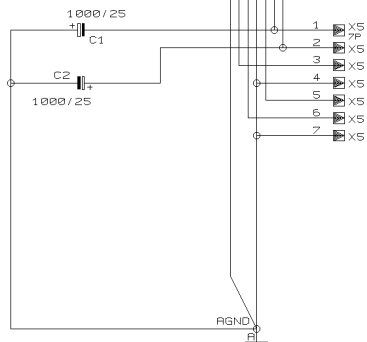
to EURO02

to EURO03



to EURO03

to EURO03



AMP-MAIN CONNETCOR

REVISIONS

C

DRAWN

CHECKED

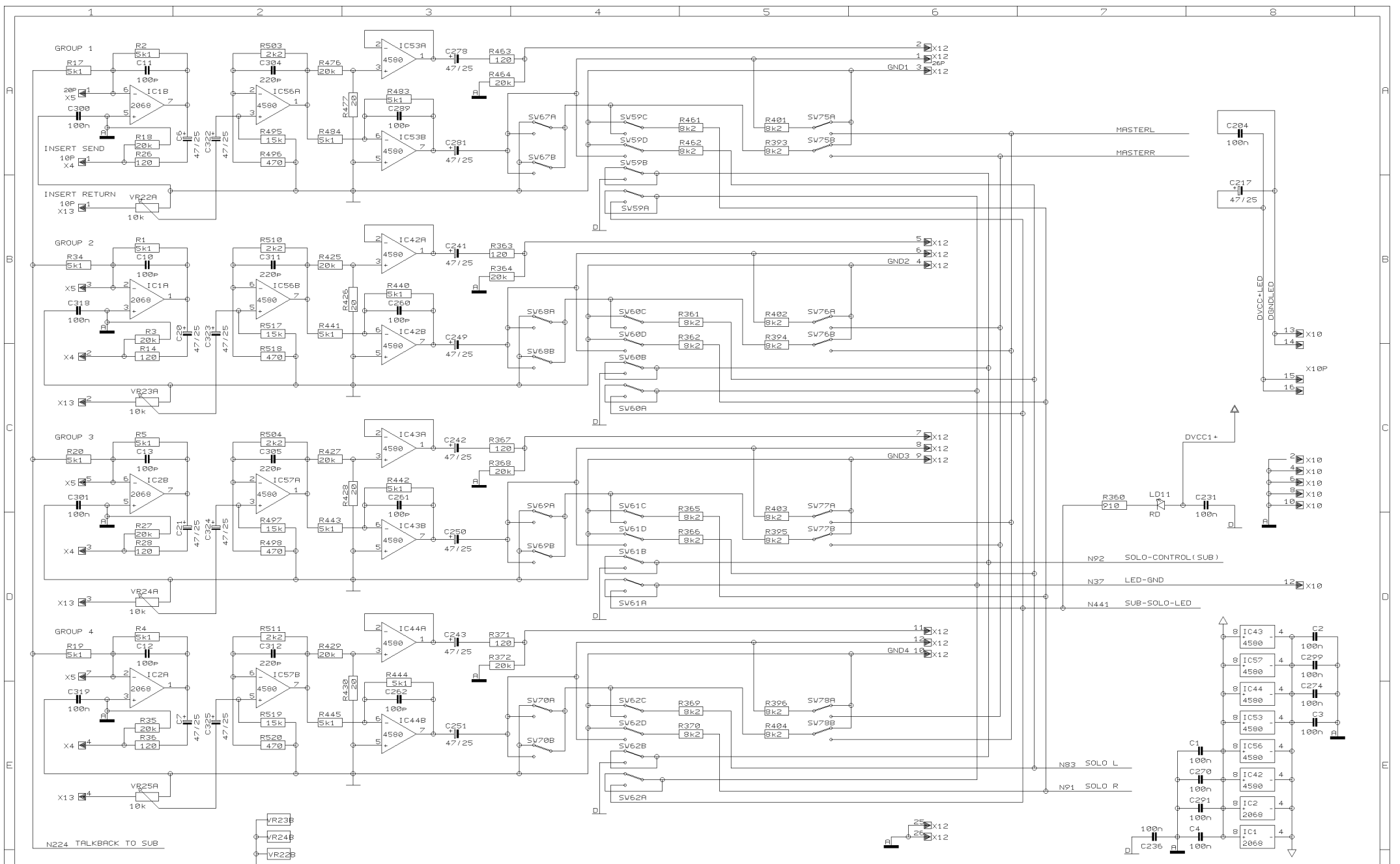
DATE 05.02. 1  
 9:10

BEHRINGER®

Specialized Studio Equipment

PROJECT  
 EURO01  
 MX9000  
 POWER DISTRIBUTION

SHEET 1 OF 1 SHEETS TOTAL



REVISIONS E (23/07/01)

DRAWN R

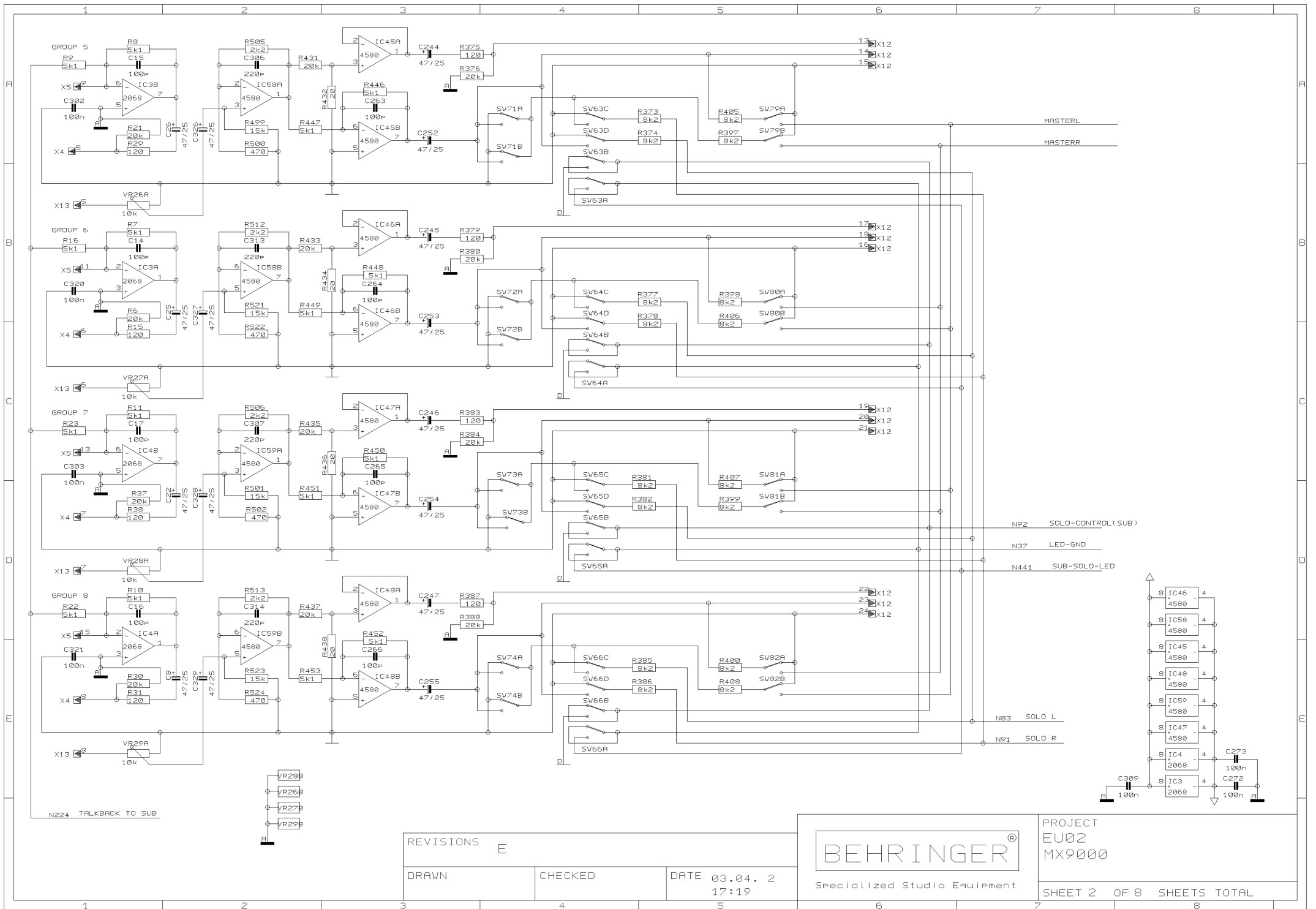
CHECKED

DATE 03.04. 2  
17:19



PROJECT  
EU02  
MX9000

SHEET 1 OF 8 SHEETS TOTAL



REVISIONS E

DRAWN

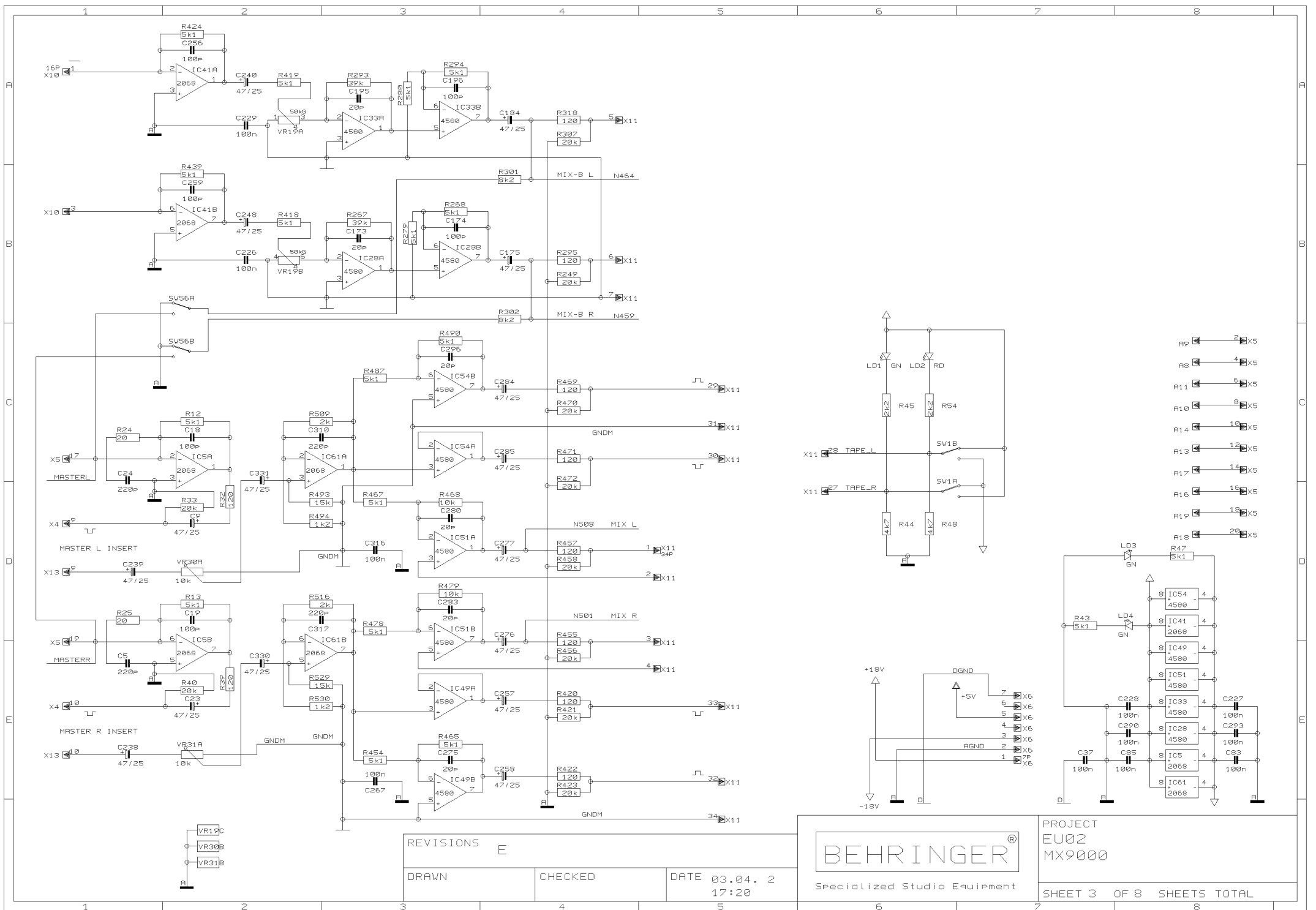
CHECKED

DATE 03.04. 2  
17:19



PROJECT  
EU02  
MX9000

SHEET 2 OF 8 SHEETS TOTAL



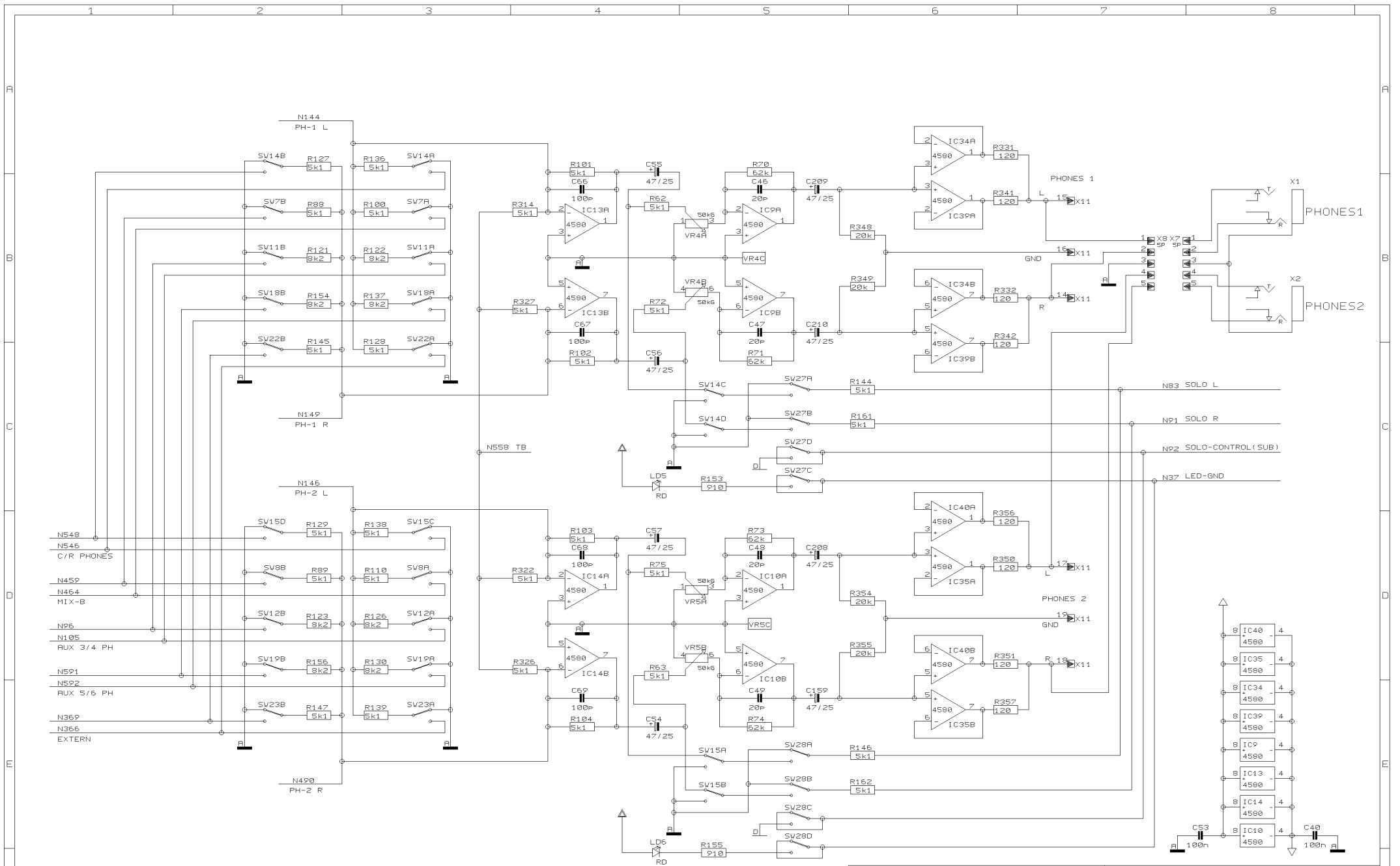
REVISIONS E		
DRAWN	CHECKED	DATE 03.04. 2 17:20

  
 Specialized Studio Equipment

PROJECT  
EU02  
MX9000

SHEET 3 OF 8 SHEETS TOTAL





REVISIONS E

DRAWN

CHECKED

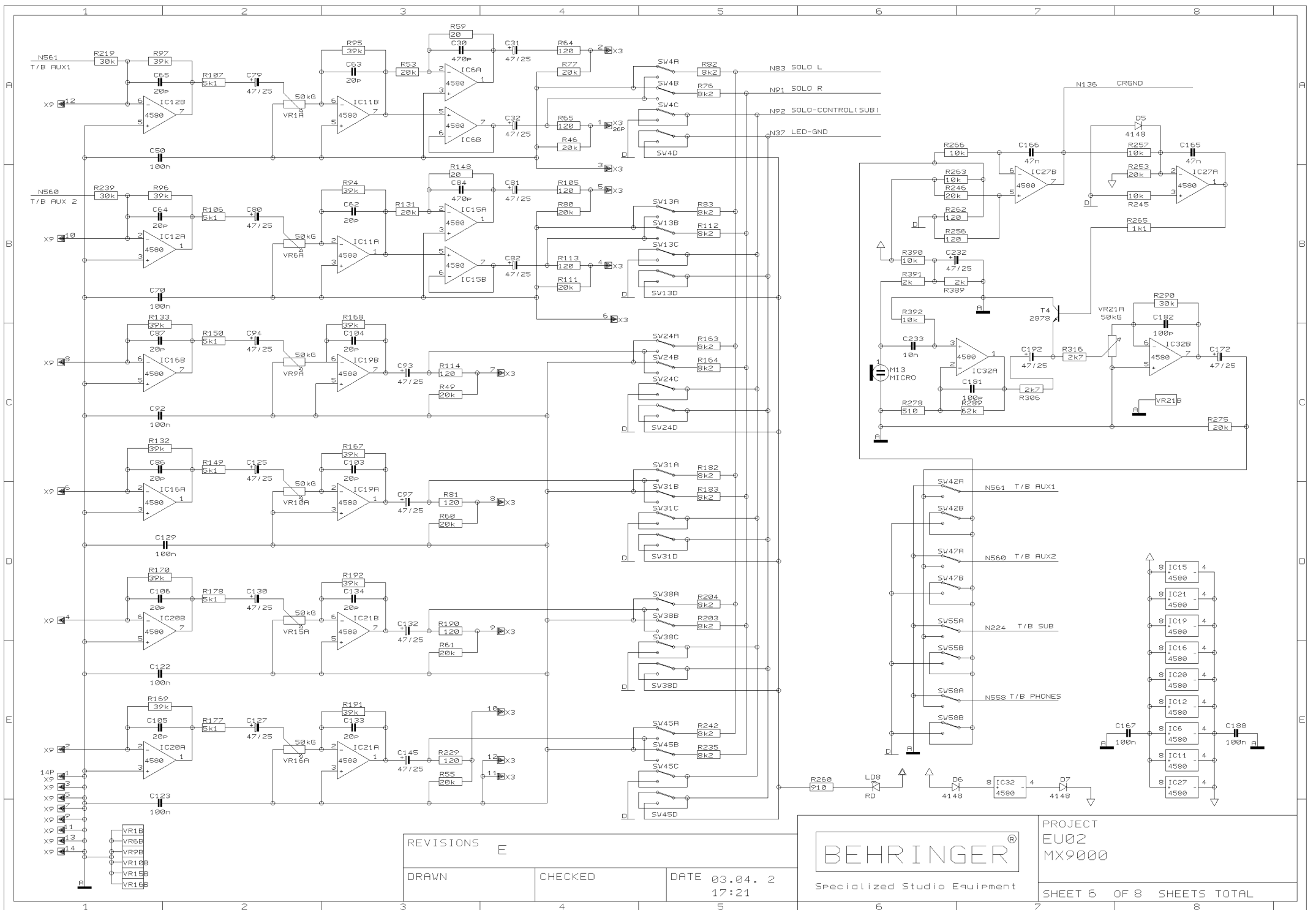
DATE 03.04. 2  
17:21

BEHRINGER®

Specialized Studio Equipment

PROJECT  
EU02  
MX9000

SHEET 5 OF 8 SHEETS TOTAL



REVISIONS E

DRAWN

CHECKED

DATE 03.04. 2  
17:21

**BEHRINGER**  
Specialized Studio Equipment

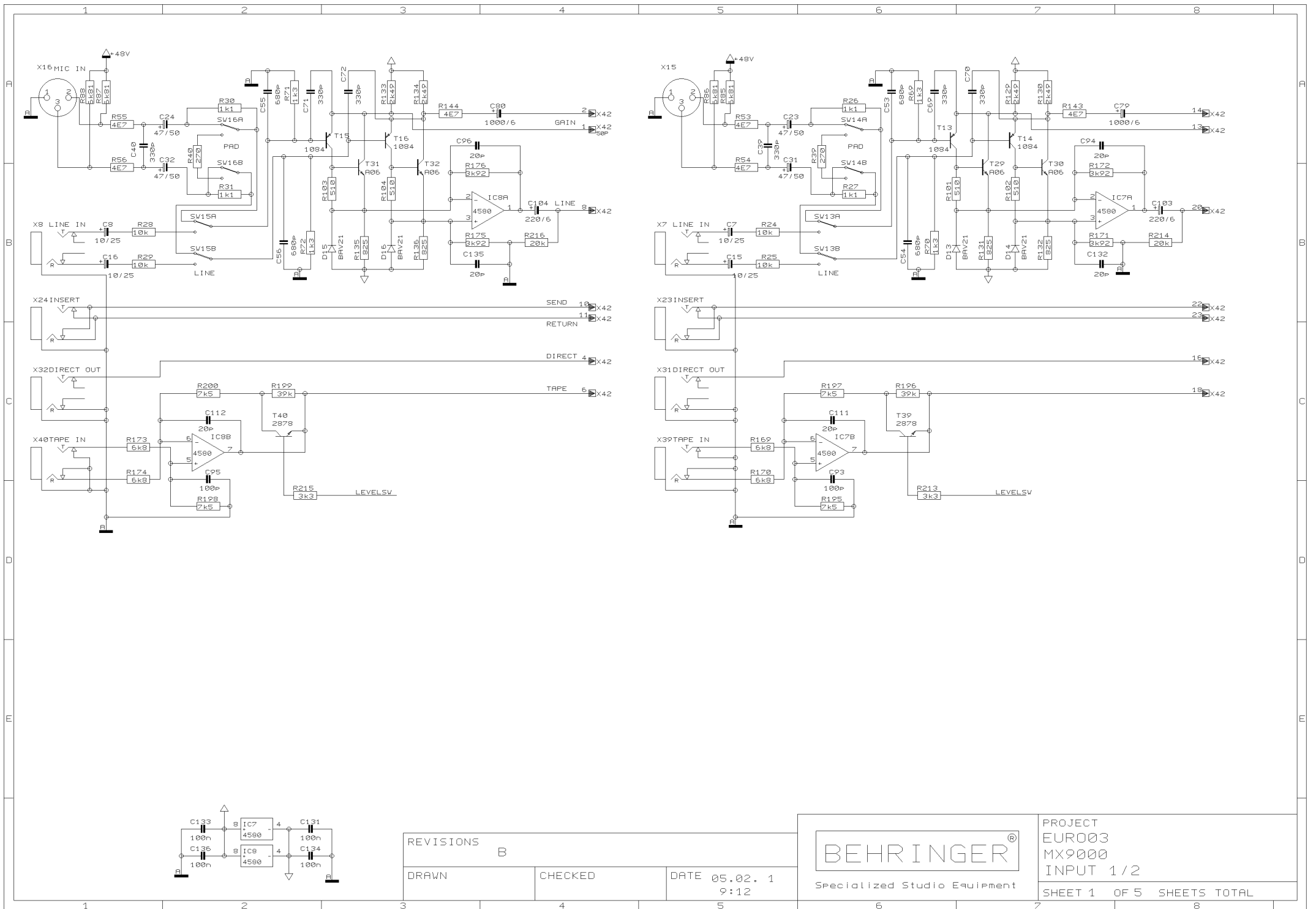
PROJECT  
EU02  
MX9000

SHEET 6 OF 8 SHEETS TOTAL









REVISIONS

B

DRAWN

CHECKED

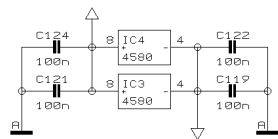
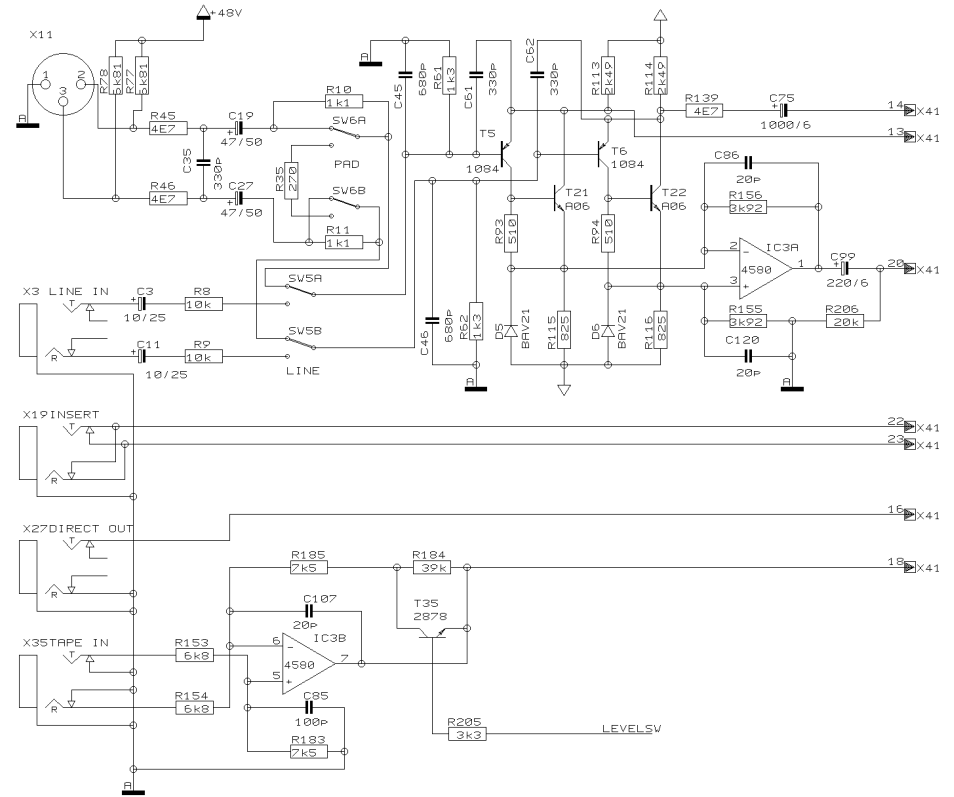
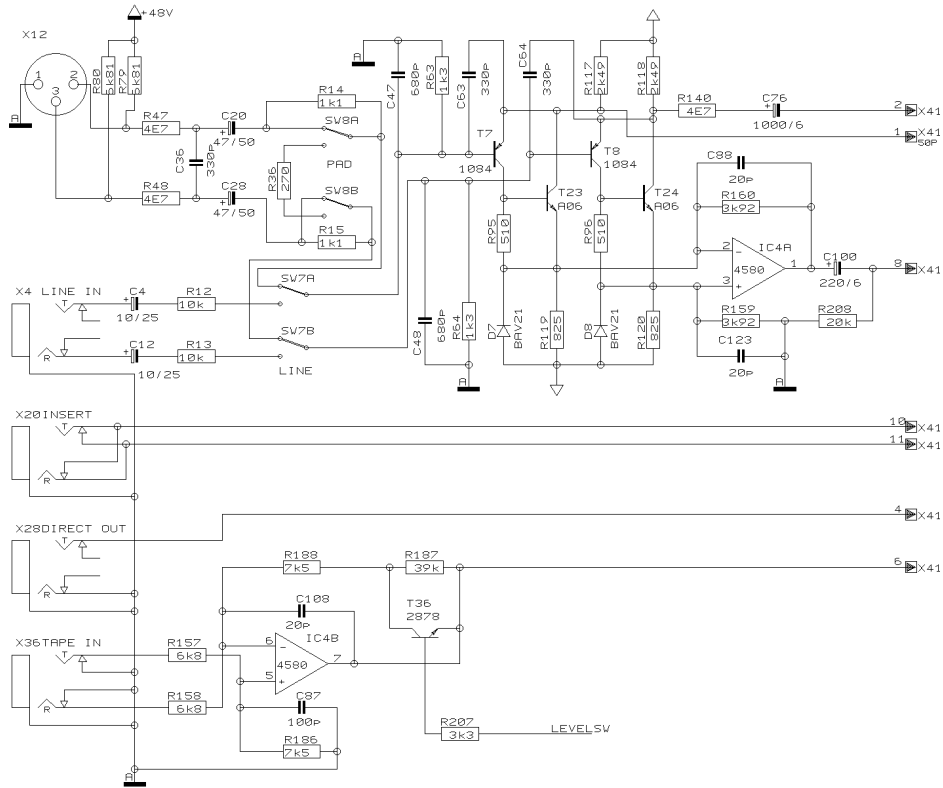
DATE 05.02. 1  
9:12



PROJECT  
EURO03  
MX9000  
INPUT 1/2

SHEET 1 OF 5 SHEETS TOTAL





REVISIONS

B

DRAWN

CHECKED

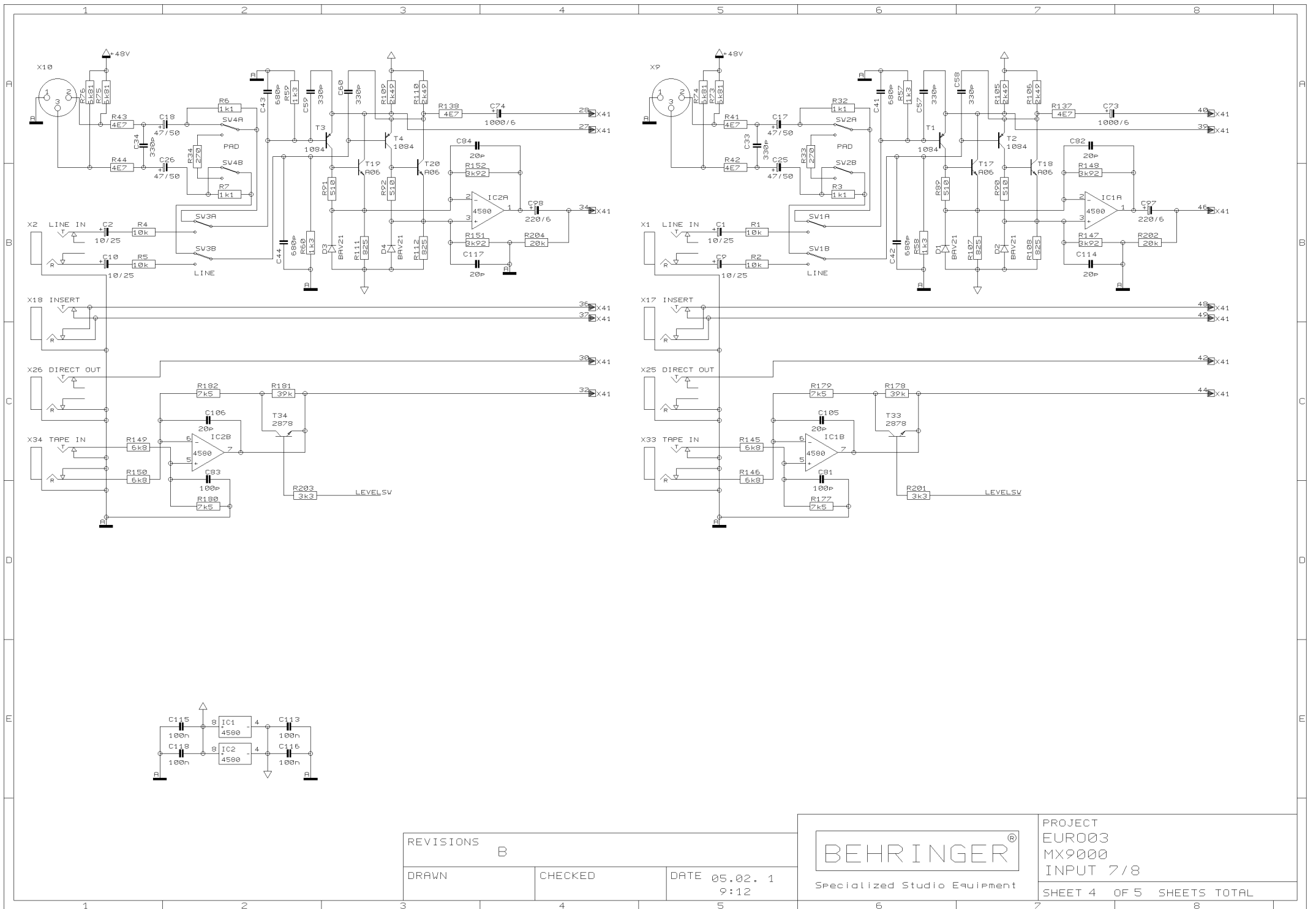
DATE 05.02. 1  
9:12

BEHRINGER®

Specialized Studio Equipment

PROJECT  
EURO03  
MX9000  
INPUT 5/6

SHEET 3 OF 5 SHEETS TOTAL



REVISIONS

B

DRAWN

CHECKED

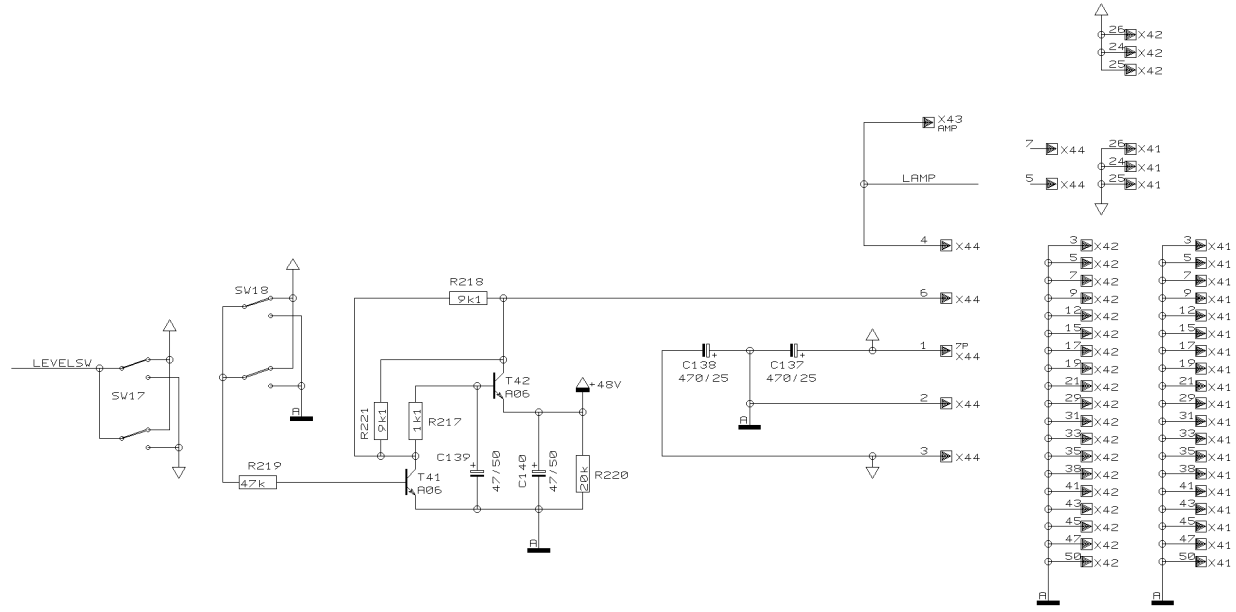
DATE 05.02. 1  
9:12

BEHRINGER®

Specialized Studio Equipment

PROJECT  
EURO03  
MX9000  
INPUT 7/8

SHEET 4 OF 5 SHEETS TOTAL



REVISIONS

B

DRAWN

CHECKED

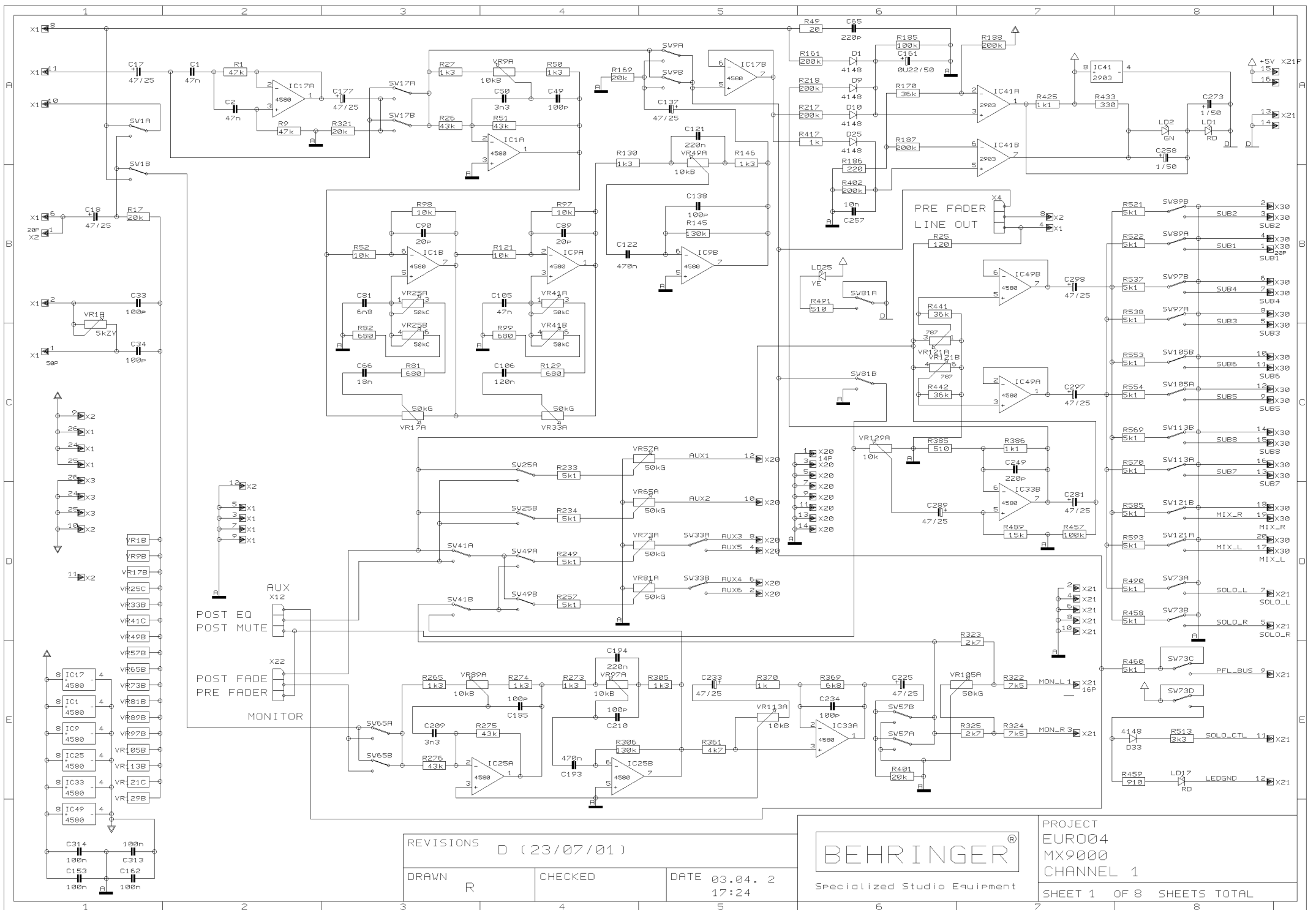
DATE 05.02. 1  
9:12

BEHRINGER®

Specialized Studio Equipment

PROJECT  
EURO03  
MX9000  
POWER DISTRIBUTION

SHEET 5 OF 5 SHEETS TOTAL



REVISIONS D (23/07/01)

DRAWN R

CHECKED

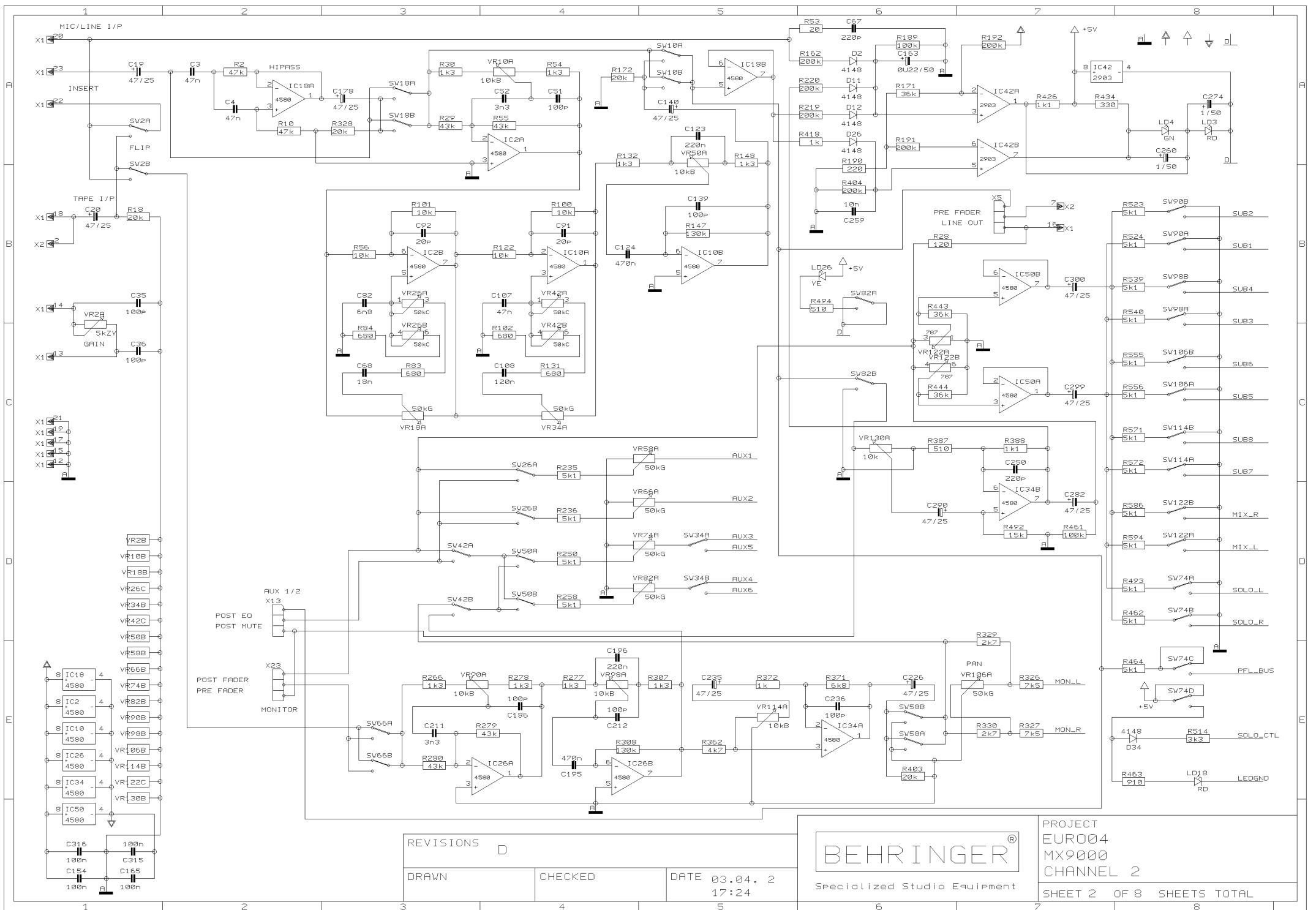
DATE 03.04. 2  
17:24

BEHRINGER®

Specialized Studio Equipment

PROJECT  
EURO04  
MX9000  
CHANNEL 1

SHEET 1 OF 8 SHEETS TOTAL



REVISIONS D

DRAWN

CHECKED

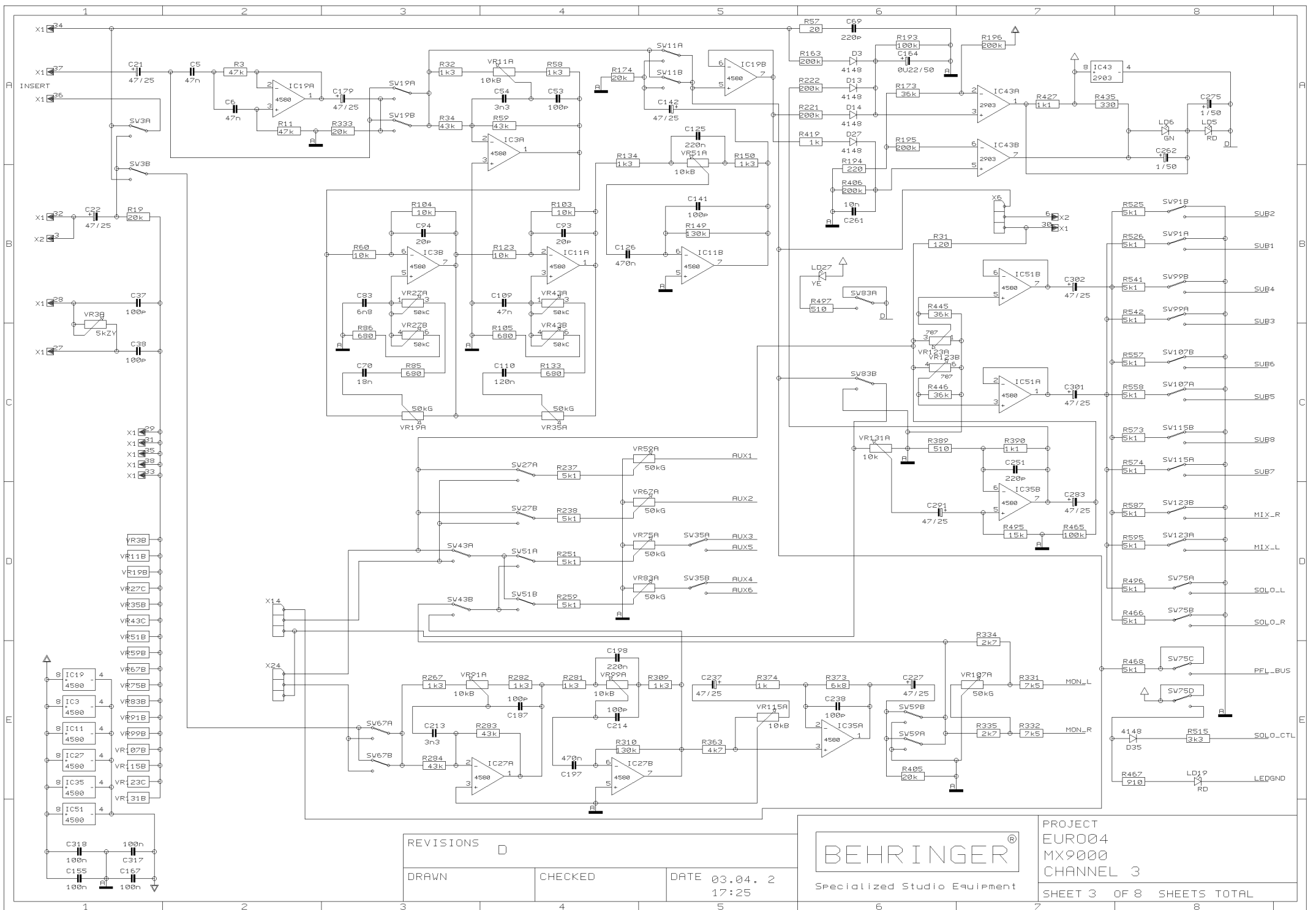
DATE 03.04. 2  
17:24



PROJECT  
EURO04  
MX9000  
CHANNEL 2

SHEET 2 OF 8 SHEETS TOTAL

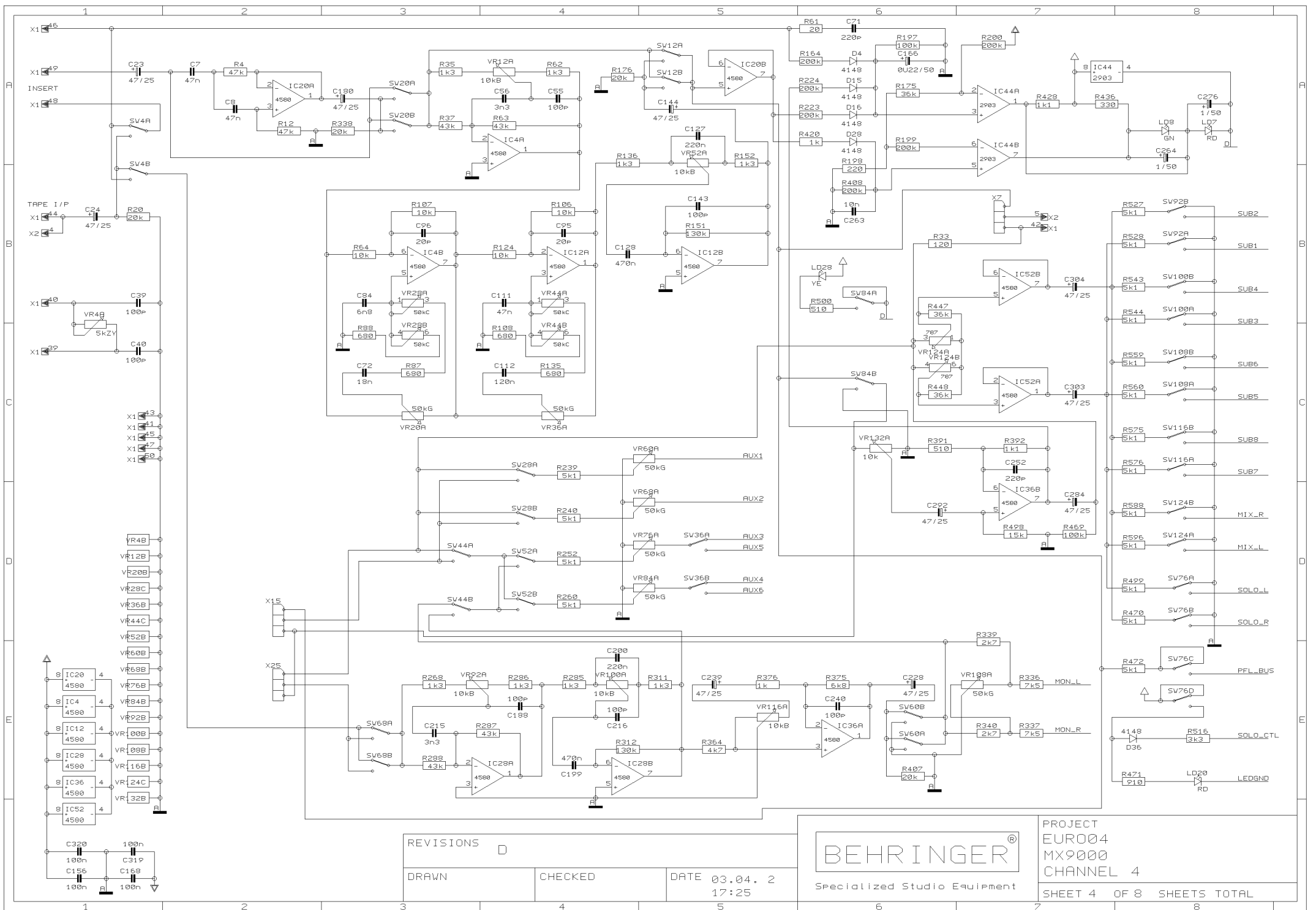




REVISIONS		
	D	
DRAWN	CHECKED	DATE 03.04. 2 17:25


  
 Specialized Studio Equipment

PROJECT EURO04  
 MX9000  
 CHANNEL 3  
 SHEET 3 OF 8 SHEETS TOTAL



REVISIONS D

DRAWN

CHECKED

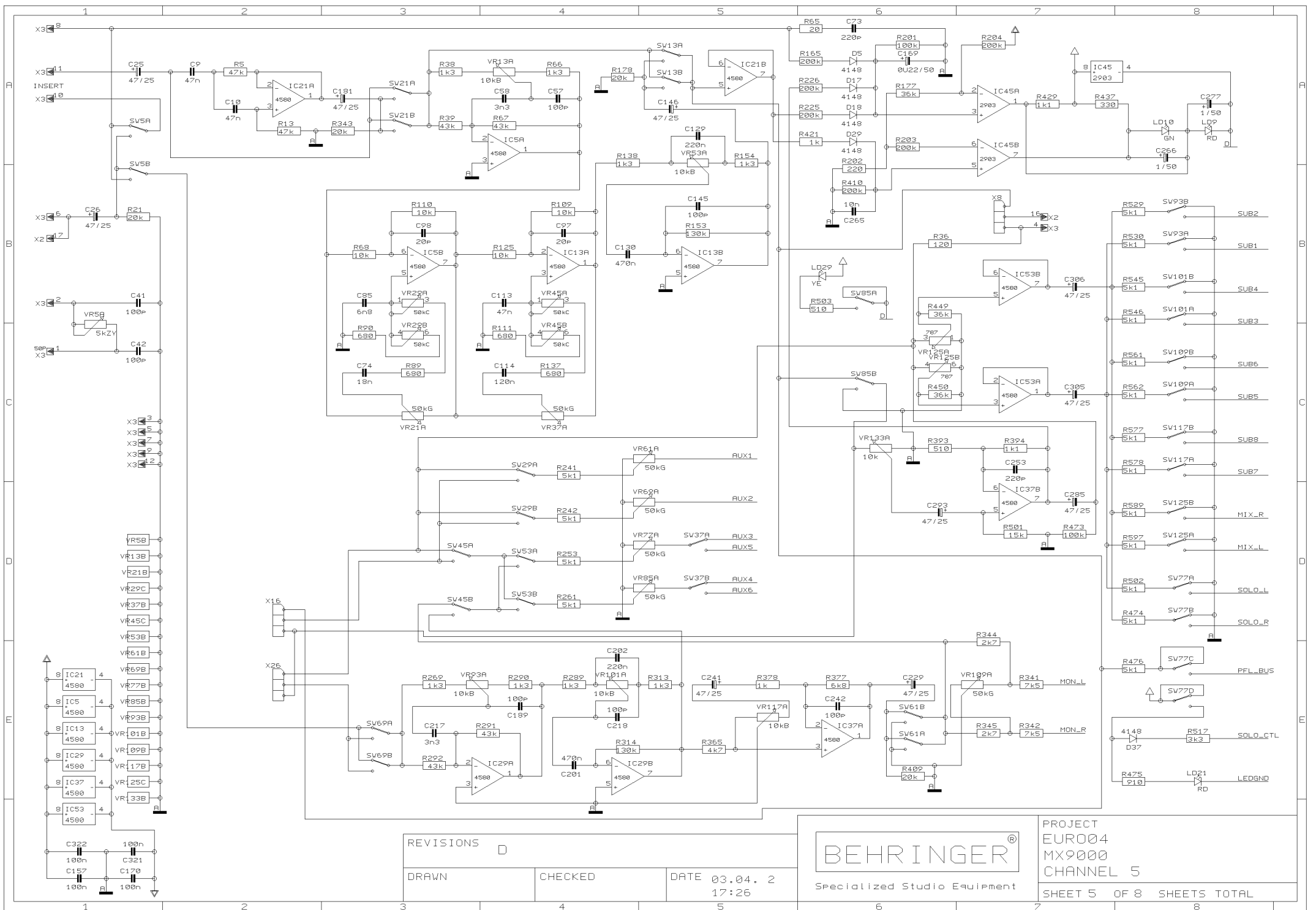
DATE 03.04. 2  
17:25

BEHRINGER®

Specialized Studio Equipment

PROJECT  
EURO04  
MX9000  
CHANNEL 4

SHEET 4 OF 8 SHEETS TOTAL



REVISIONS D

DRAWN

CHECKED

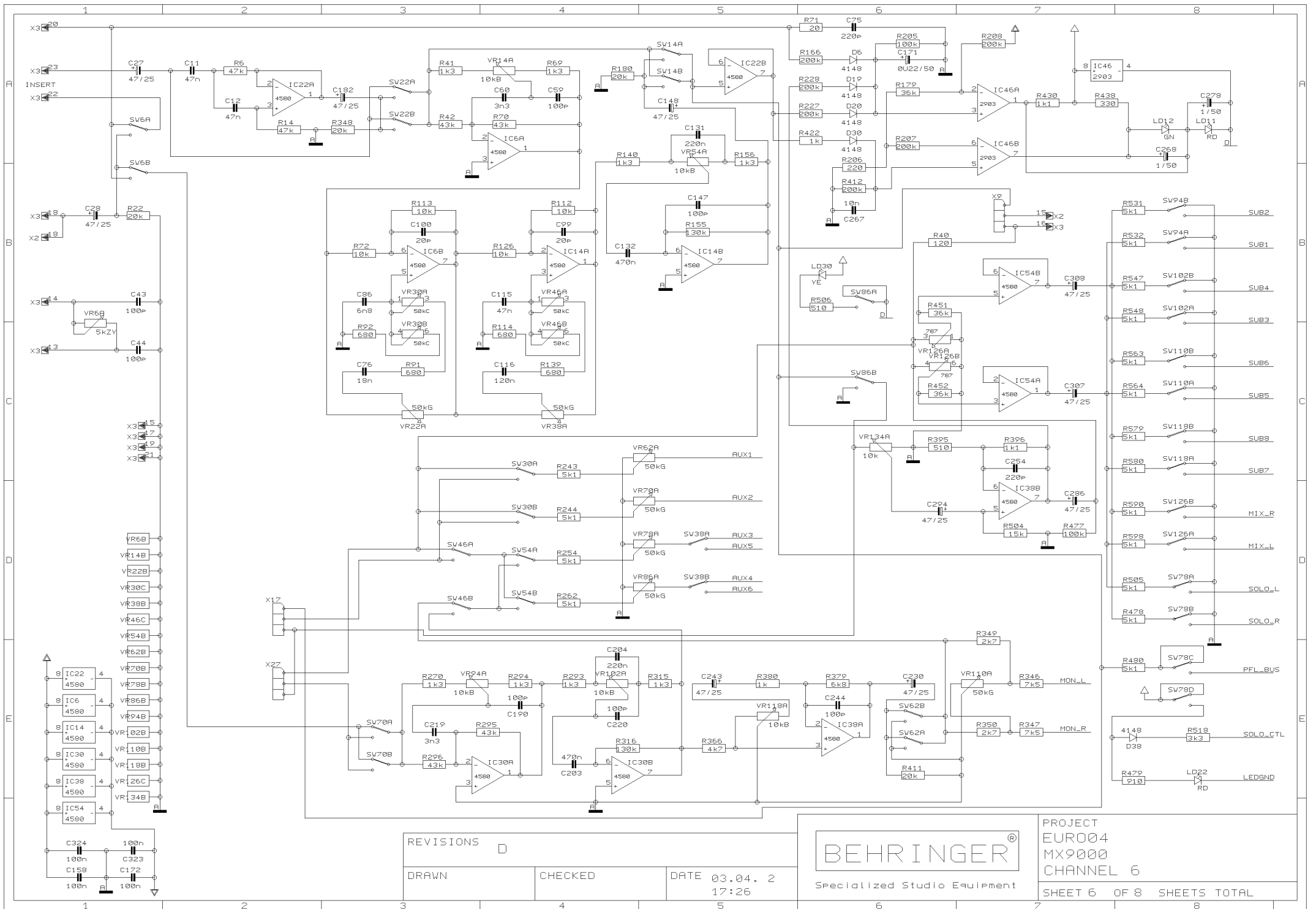
DATE 03.04. 2  
17:26

BEHRINGER®

Specialized Studio Equipment

PROJECT  
EURO04  
MX9000  
CHANNEL 5

SHEET 5 OF 8 SHEETS TOTAL



REVISIONS D

DRAWN

CHECKED

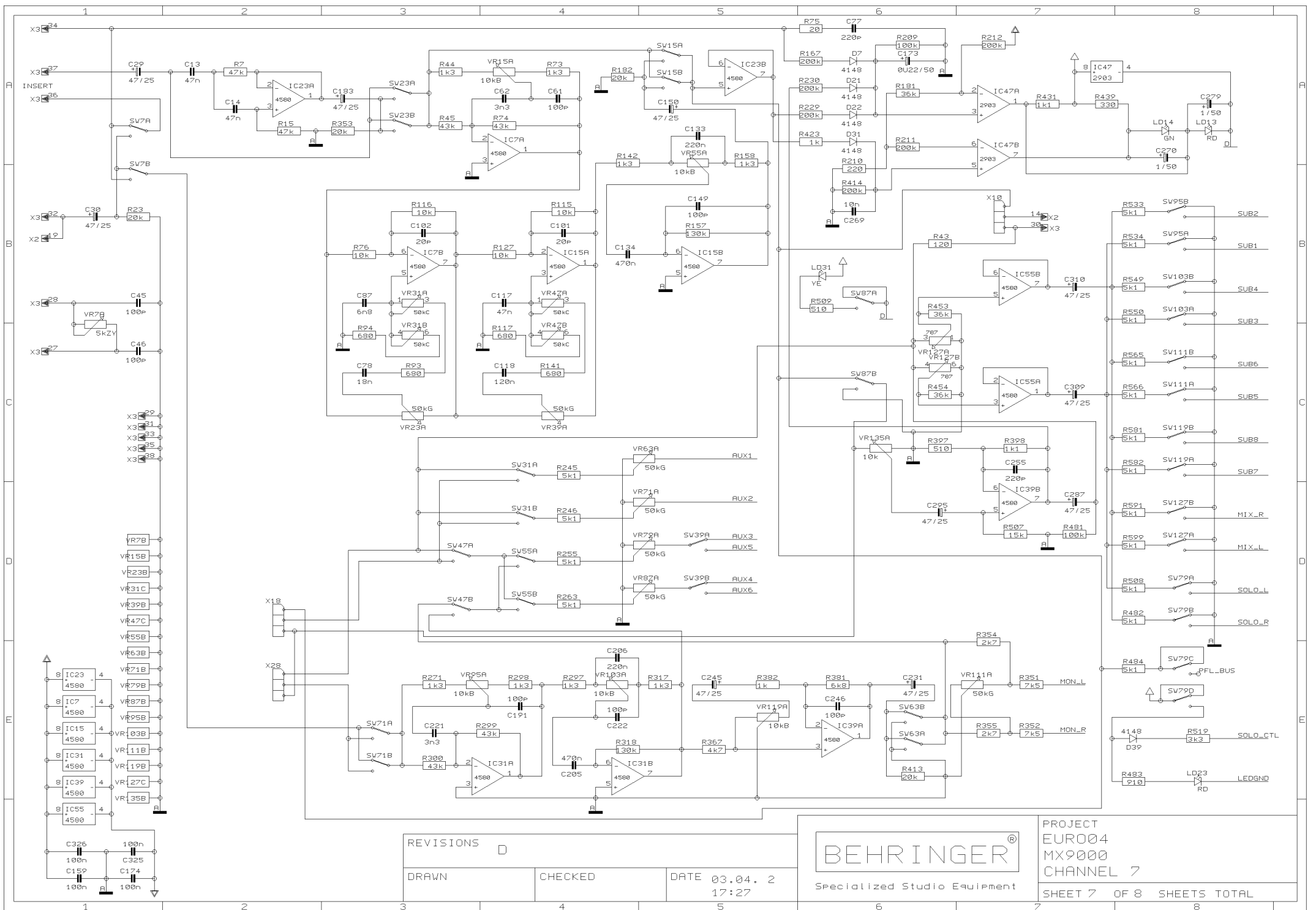
DATE 03.04. 2  
17:26

BEHRINGER®

Specialized Studio Equipment

PROJECT  
EURO04  
MX9000  
CHANNEL 6

SHEET 6 OF 8 SHEETS TOTAL



REVISIONS

D

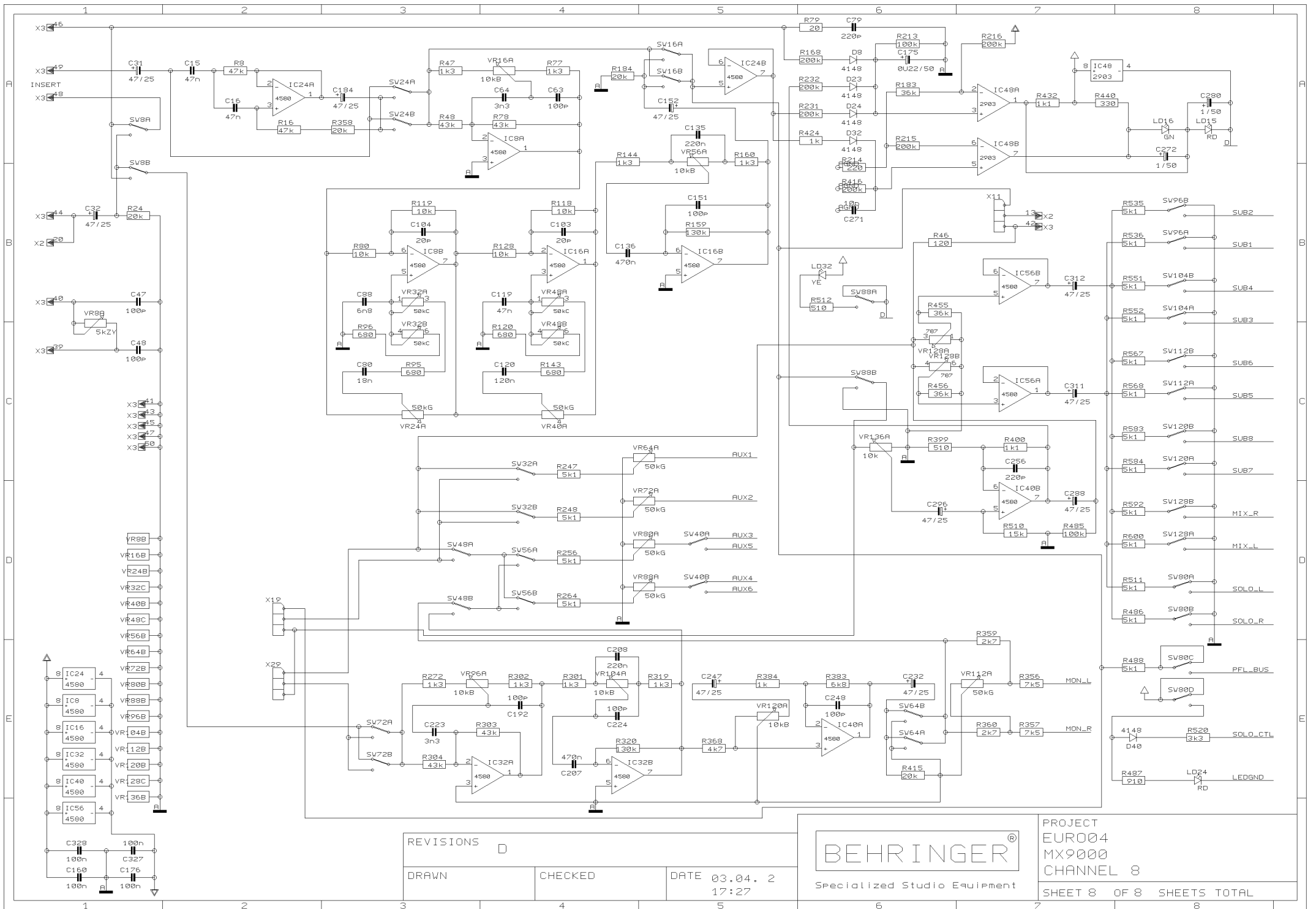
DRAWN

CHECKED

DATE 03.04. 2  
17:27



PROJECT  
EURO04  
MX9000  
CHANNEL 7  
SHEET 7 OF 8 SHEETS TOTAL



REVISIONS

D

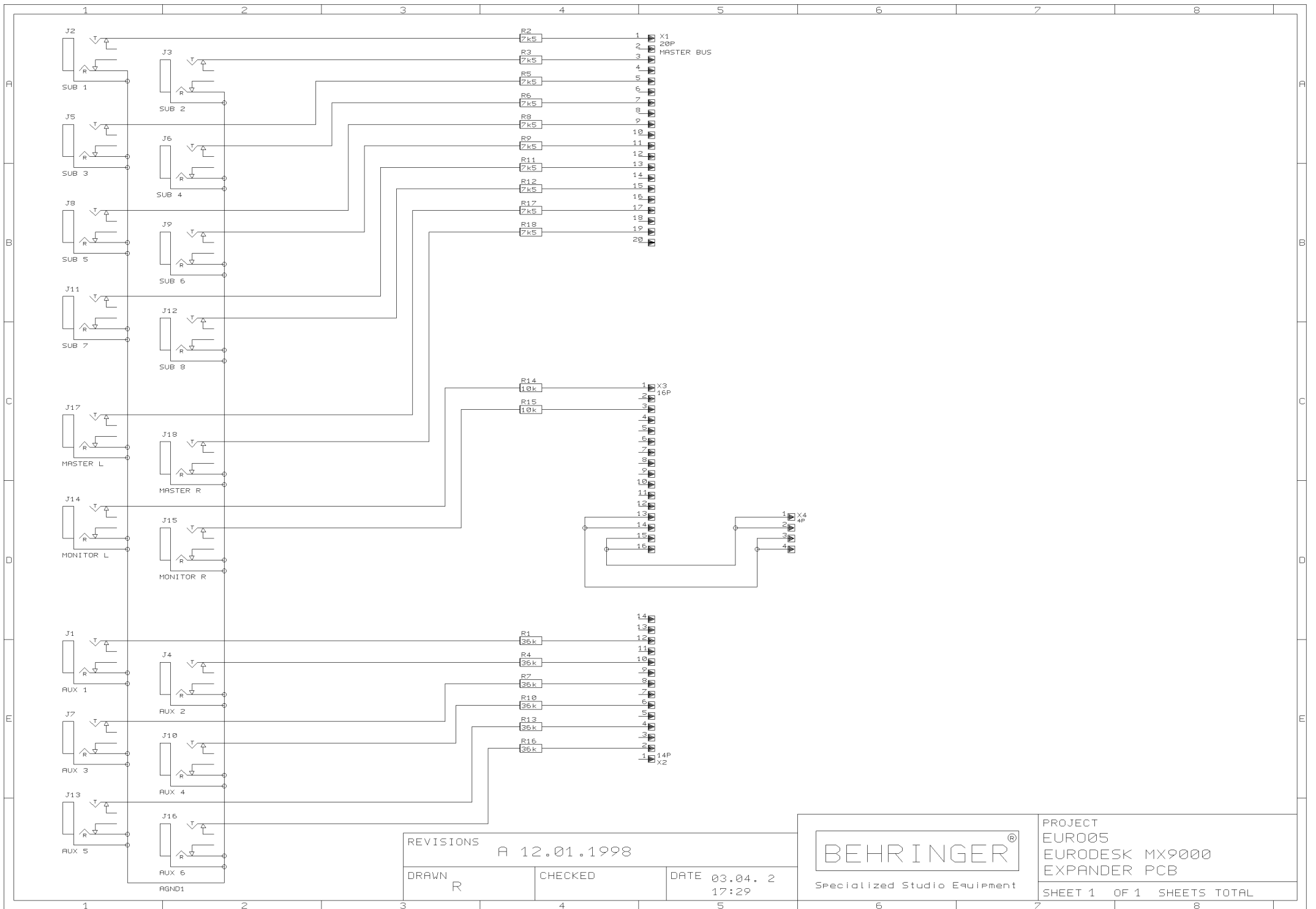
DRAWN

CHECKED

DATE 03.04. 2  
17:27



PROJECT EURO04  
MX9000  
CHANNEL 8  
SHEET 8 OF 8 SHEETS TOTAL



REVISIONS A 12.01.1998

DRAWN R

CHECKED

DATE 03.04. 2  
17:29

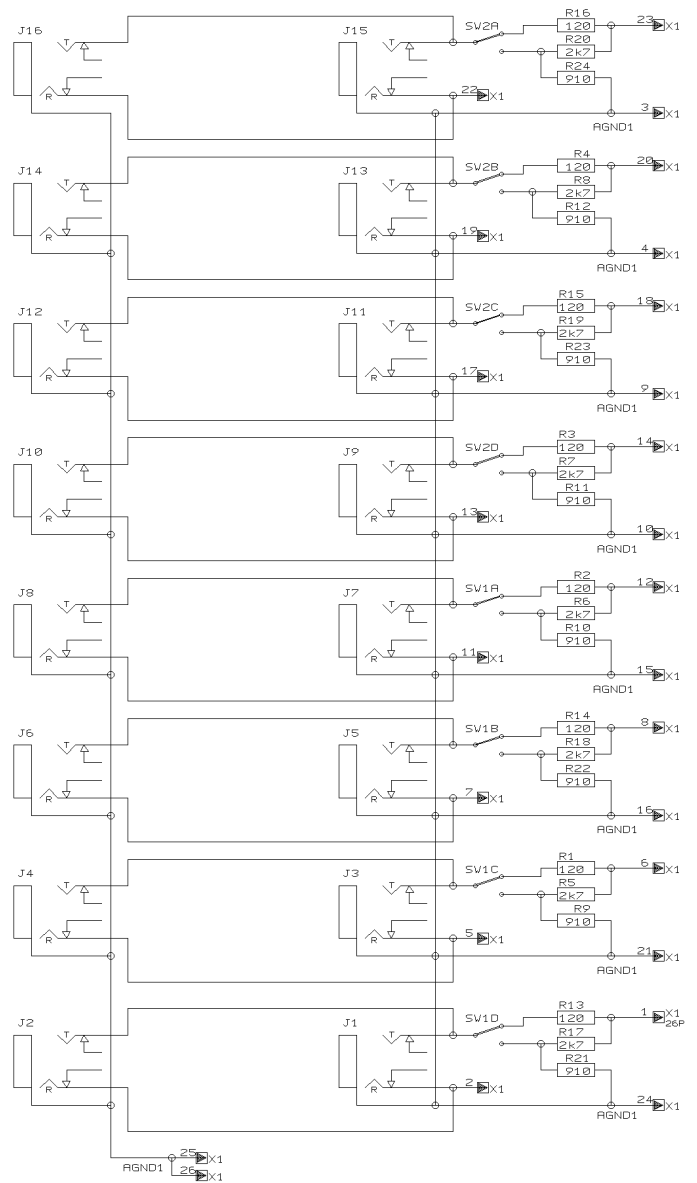


PROJECT  
EURO05  
EURODESK MX9000  
EXPANDER PCB

SHEET 1 OF 1 SHEETS TOTAL

SUBGROUP OUT

TO X10 ON EURO02/MASTER



REVISIONS

A

DRAWN

CHECKED

DATE 05.02. 1  
9:16

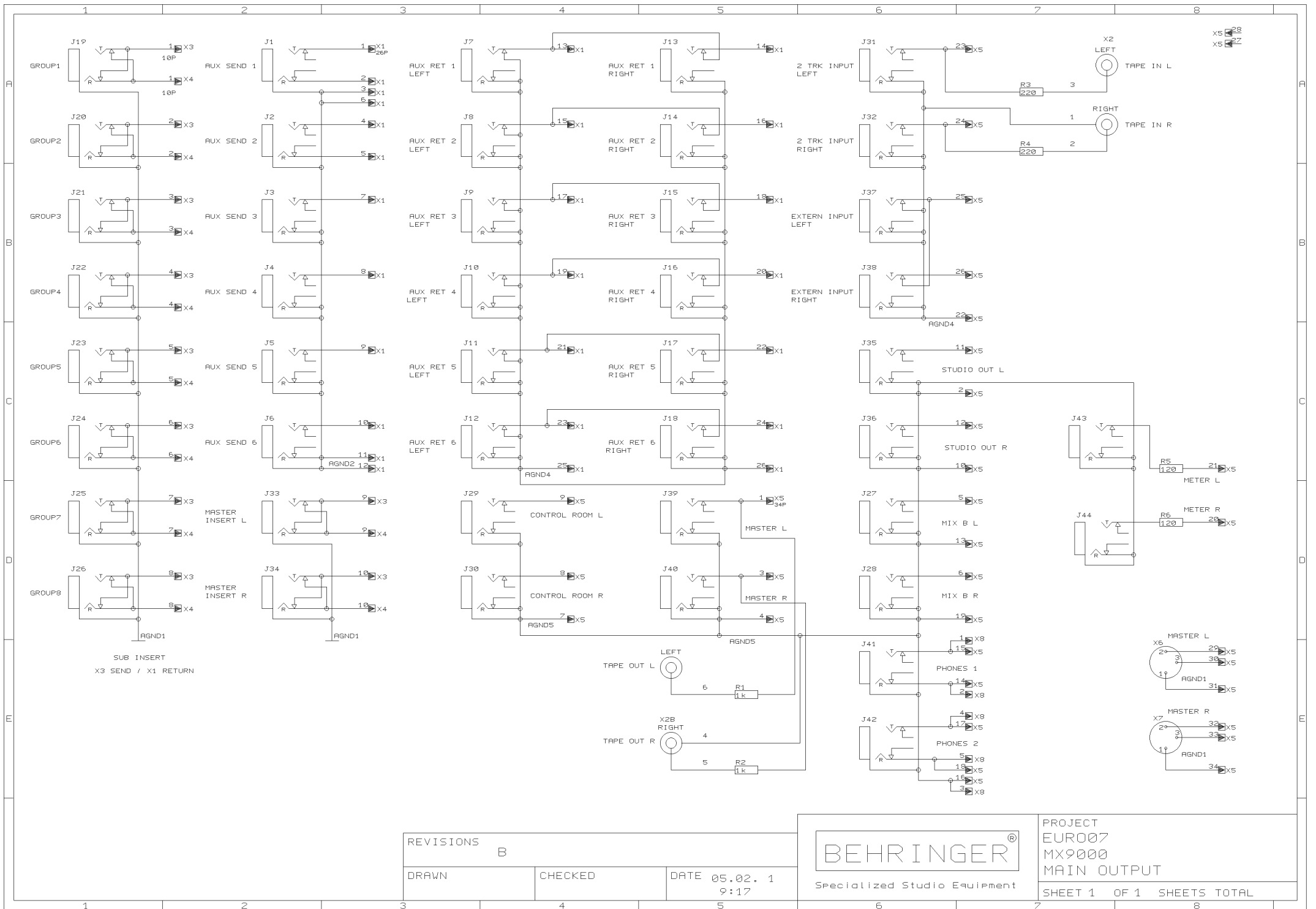
BEHRINGER®

Specialized Studio Equipment

PROJECT  
EURO06  
EURODESK MX9000  
OUTPUT BOARD

SHEET 1 OF 1 SHEETS TOTAL





REVISIONS

B

DRAWN

CHECKED

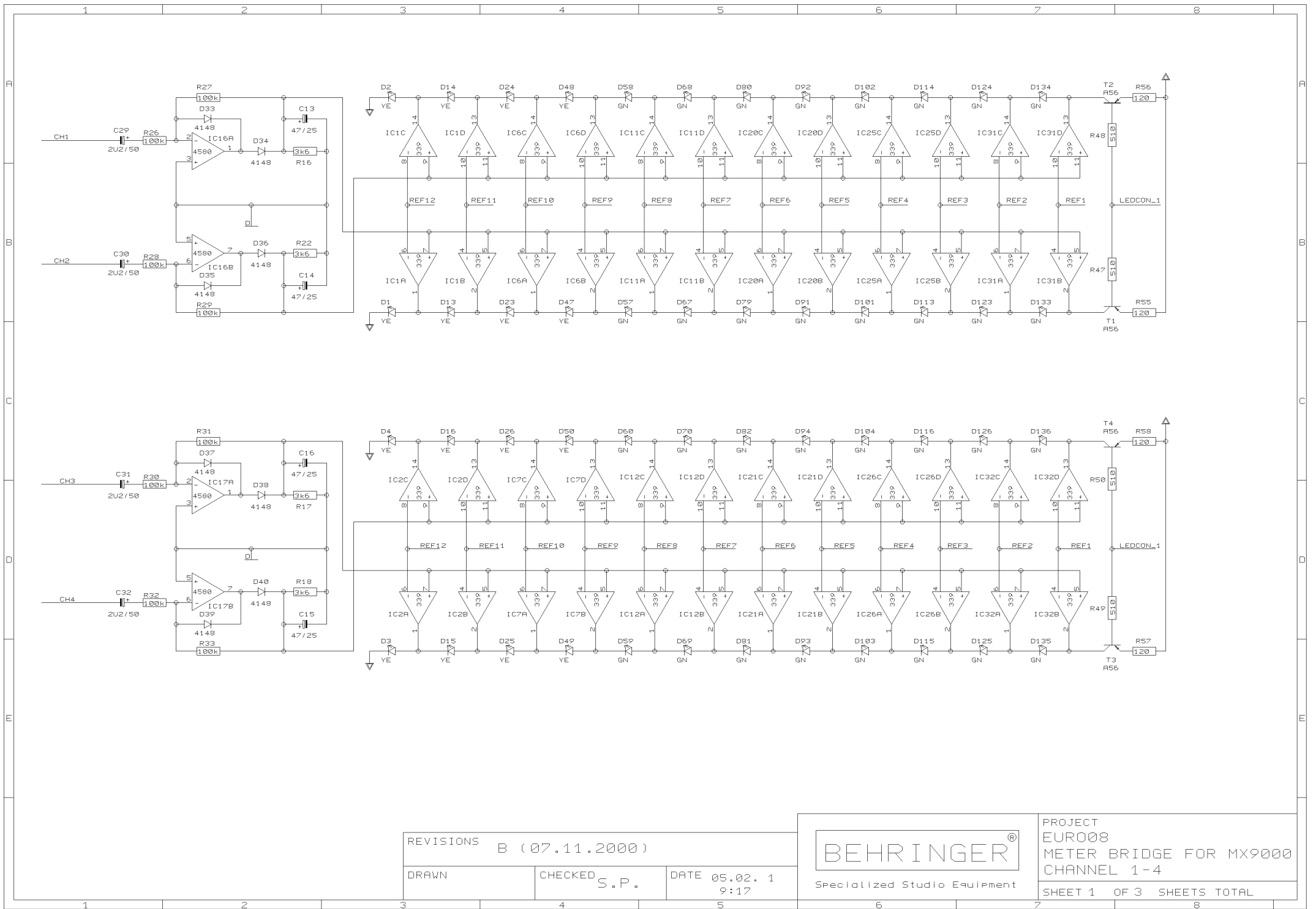
DATE 05.02. 1  
9:17



Specialized Studio Equipment

PROJECT  
EURO07  
MX9000  
MAIN OUTPUT

SHEET 1 OF 1 SHEETS TOTAL



REVISIONS B (07.11.2000)

DRAWN

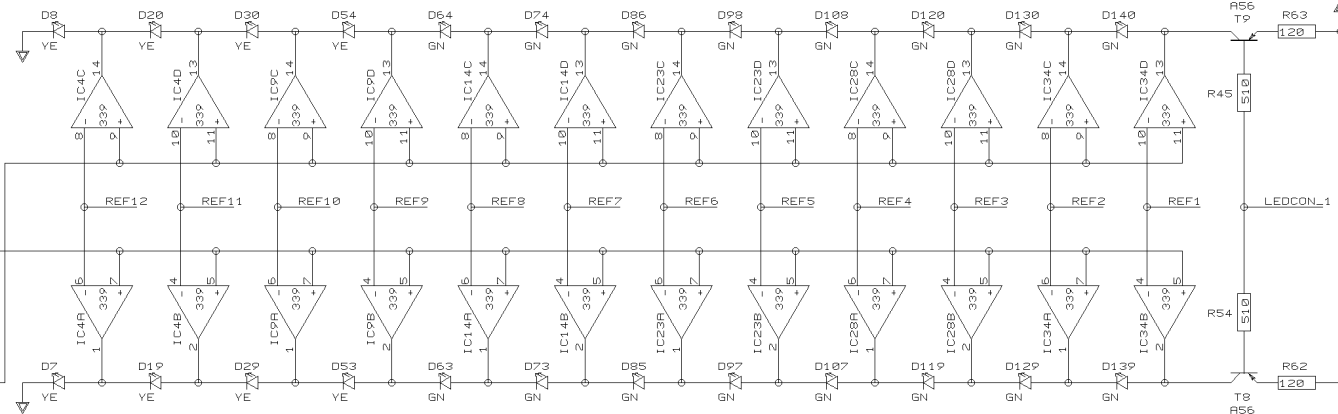
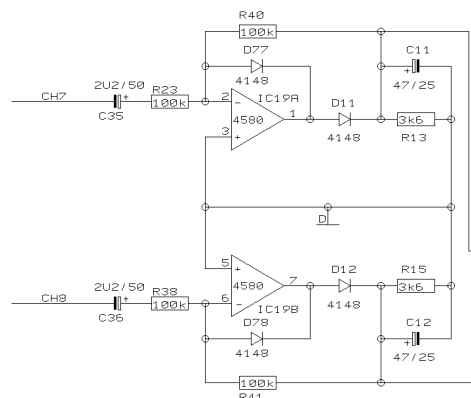
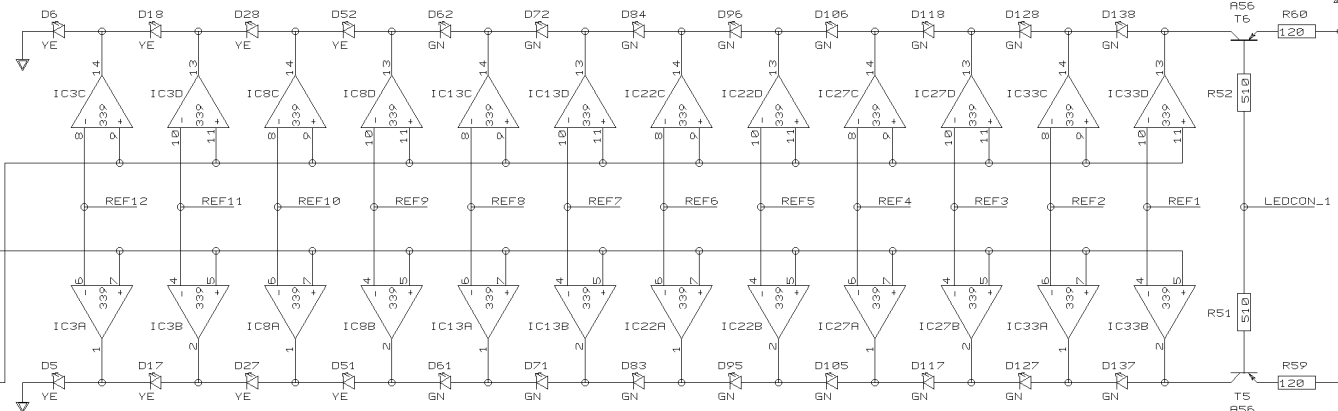
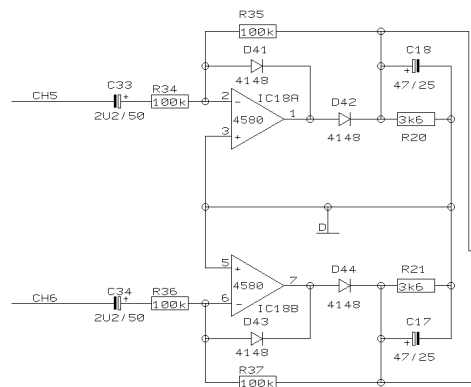
CHECKED S.P.

DATE 05.02. 1  
9:17



PROJECT  
EURO08  
METER BRIDGE FOR MX9000  
CHANNEL 1-4

SHEET 1 OF 3 SHEETS TOTAL



REVISIONS B

DRAWN

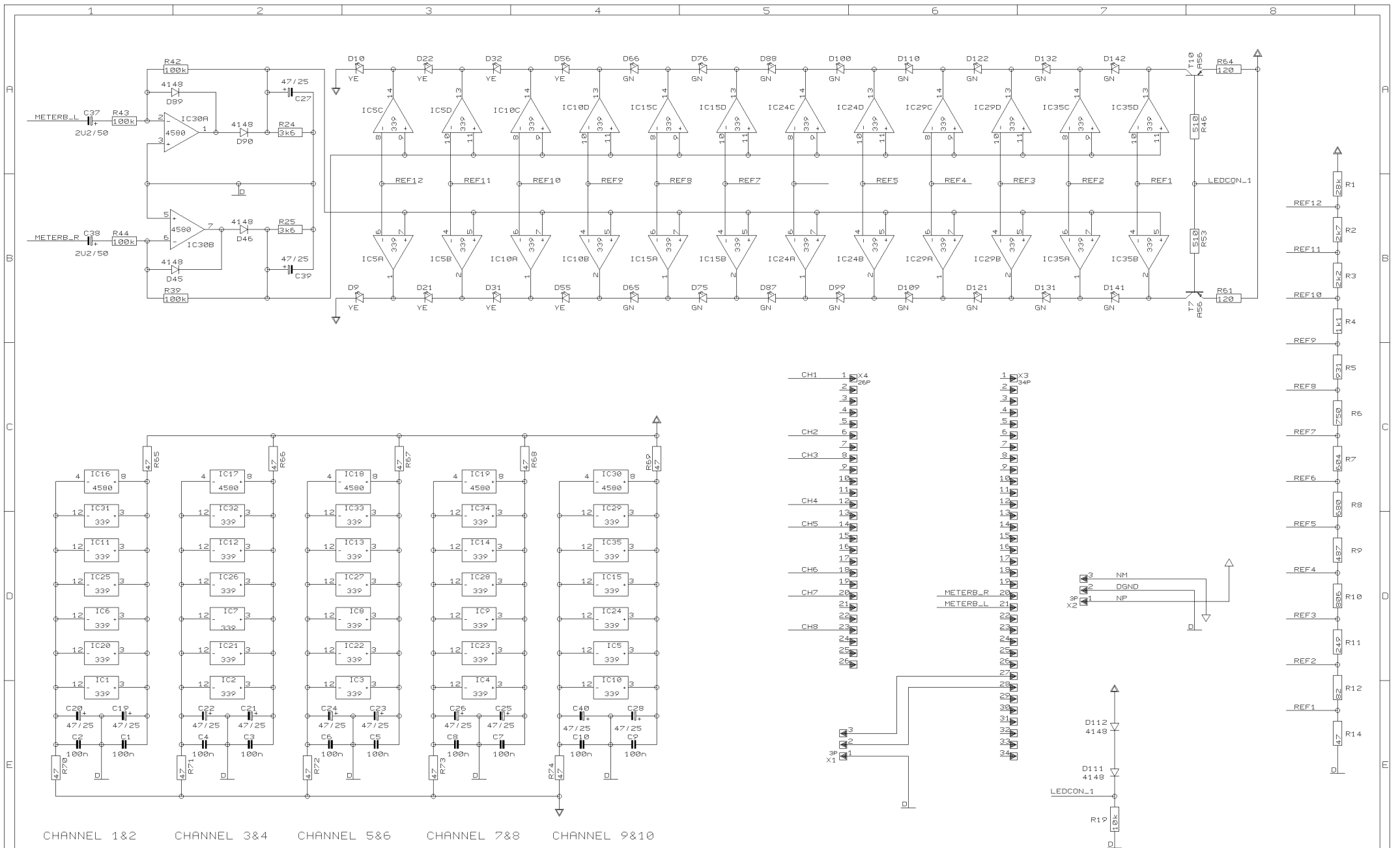
CHECKED

DATE 05.02. 1  
9:17



PROJECT  
EURO08  
METER BRIDGE FOR MX9000  
CHANNEL 5-8

SHEET 2 OF 3 SHEETS TOTAL



CHANNEL 1&2

CHANNEL 3&4

CHANNEL 5&6

CHANNEL 7&8

CHANNEL 9&10

REVISIONS

B

DRAWN

CHECKED

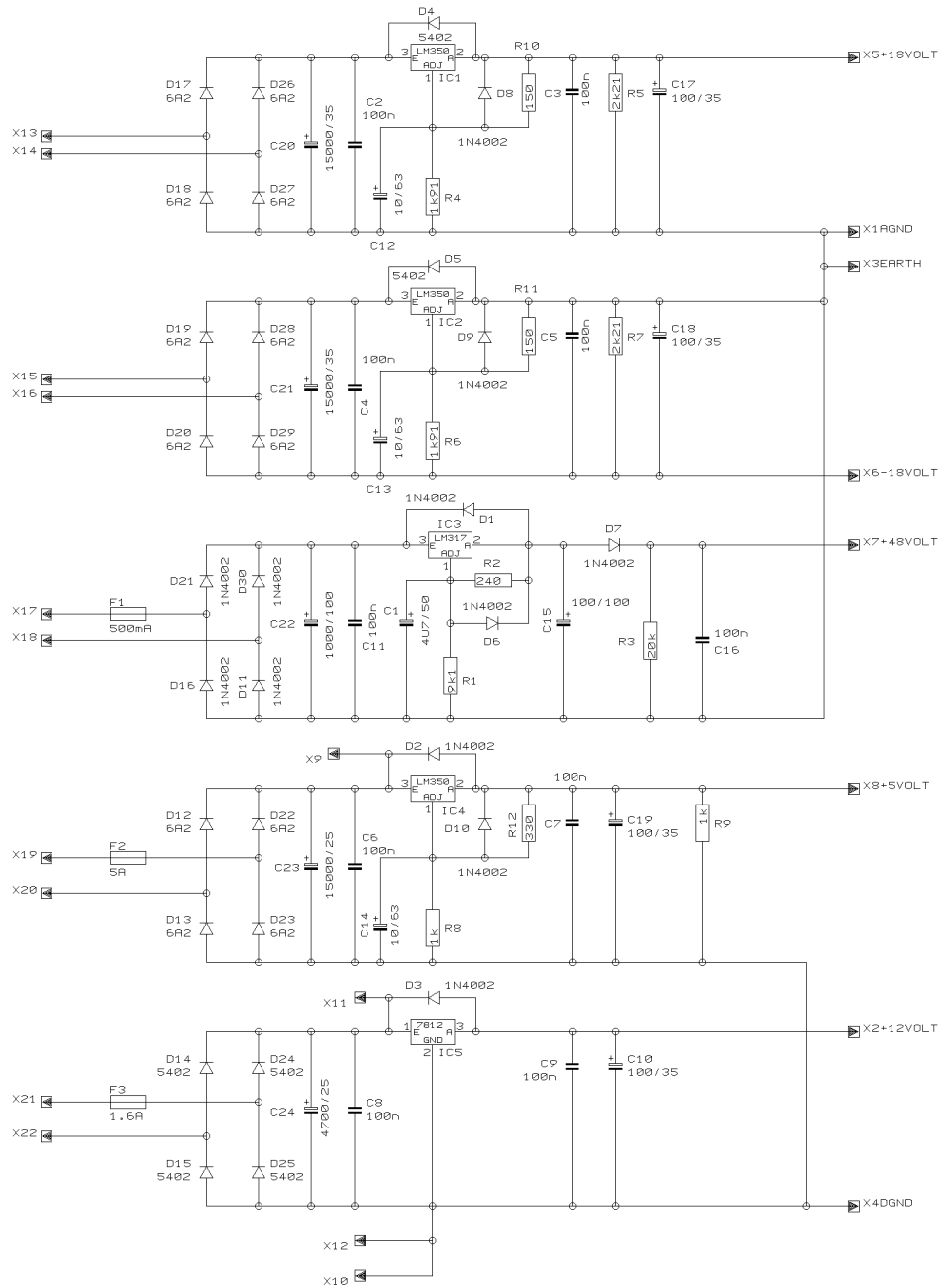
DATE 05.02. 1  
9:17

BEHRINGER®

Specialized Studio Equipment

PROJECT  
EURO08  
METER BRIDGE FOR MX9000  
CHANNEL 9&10 + P-SUPPLY

SHEET 3 OF 3 SHEETS TOTAL



REVISIONS

F

DRAWN

UB

CHECKED

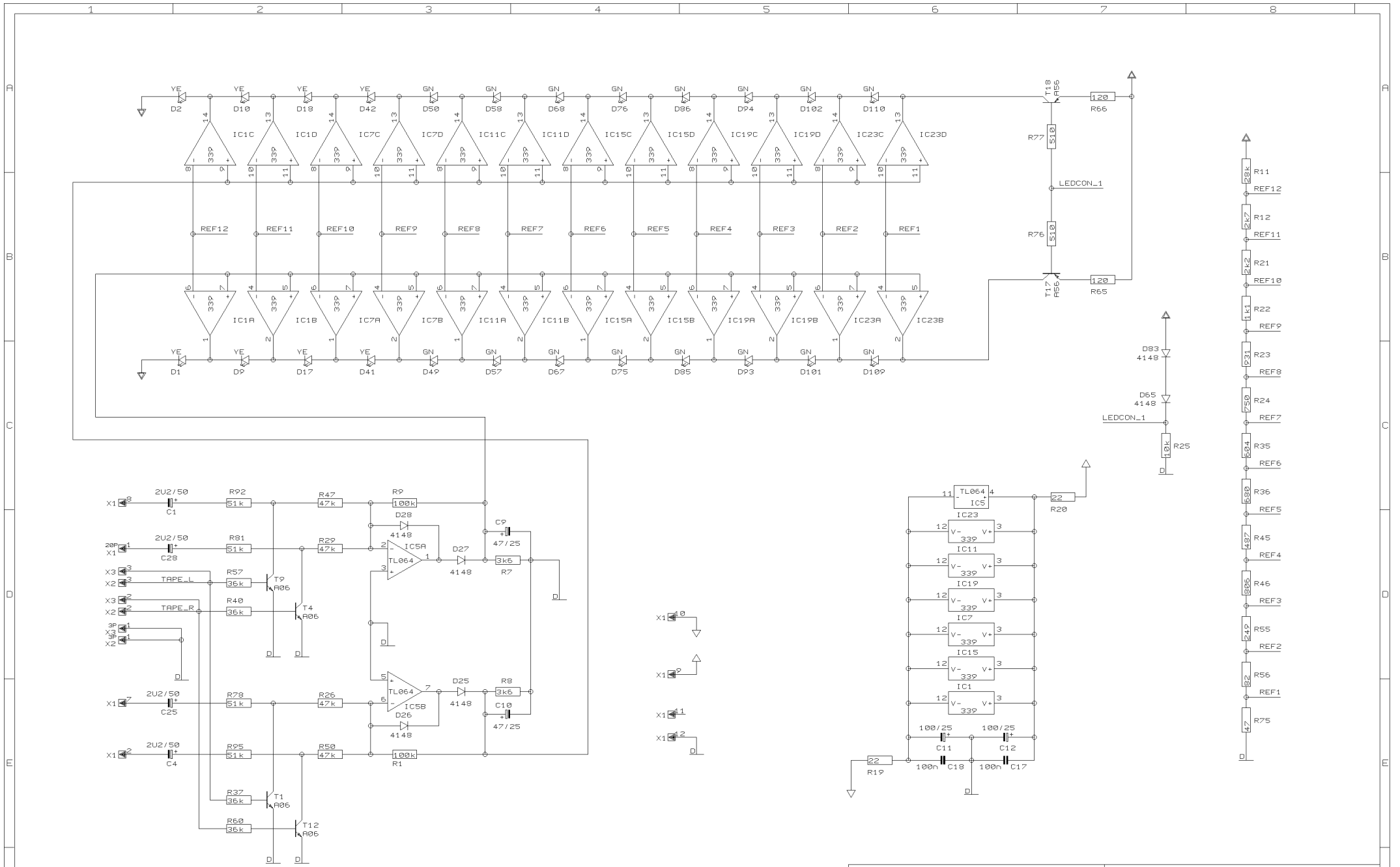
DATE 05.02. 1  
9:19

BEHRINGER®

Specialized Studio Equipment

PROJECT  
EURO09  
EURODESK MX8000  
POWER SUPPLY

SHEET 1 OF 1 SHEETS TOTAL



REVISIONS C (07.11.2000)

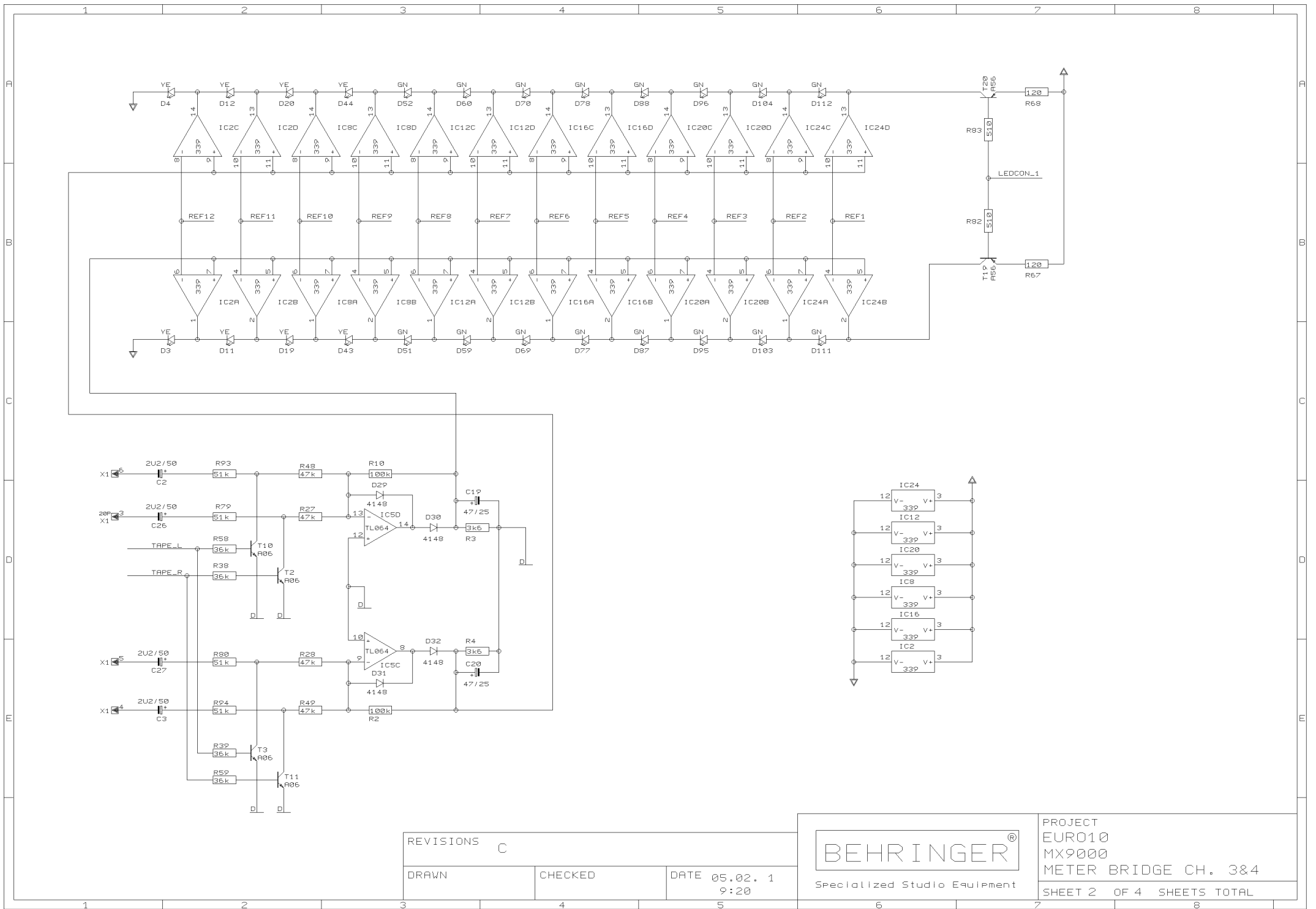
DRAWN

CHECKED

DATE 05.02. 1  
9:20



PROJECT  
EURO10  
MX9000  
METER BRIDGE CH. 1&2  
SHEET 1 OF 4 SHEETS TOTAL



REVISIONS C

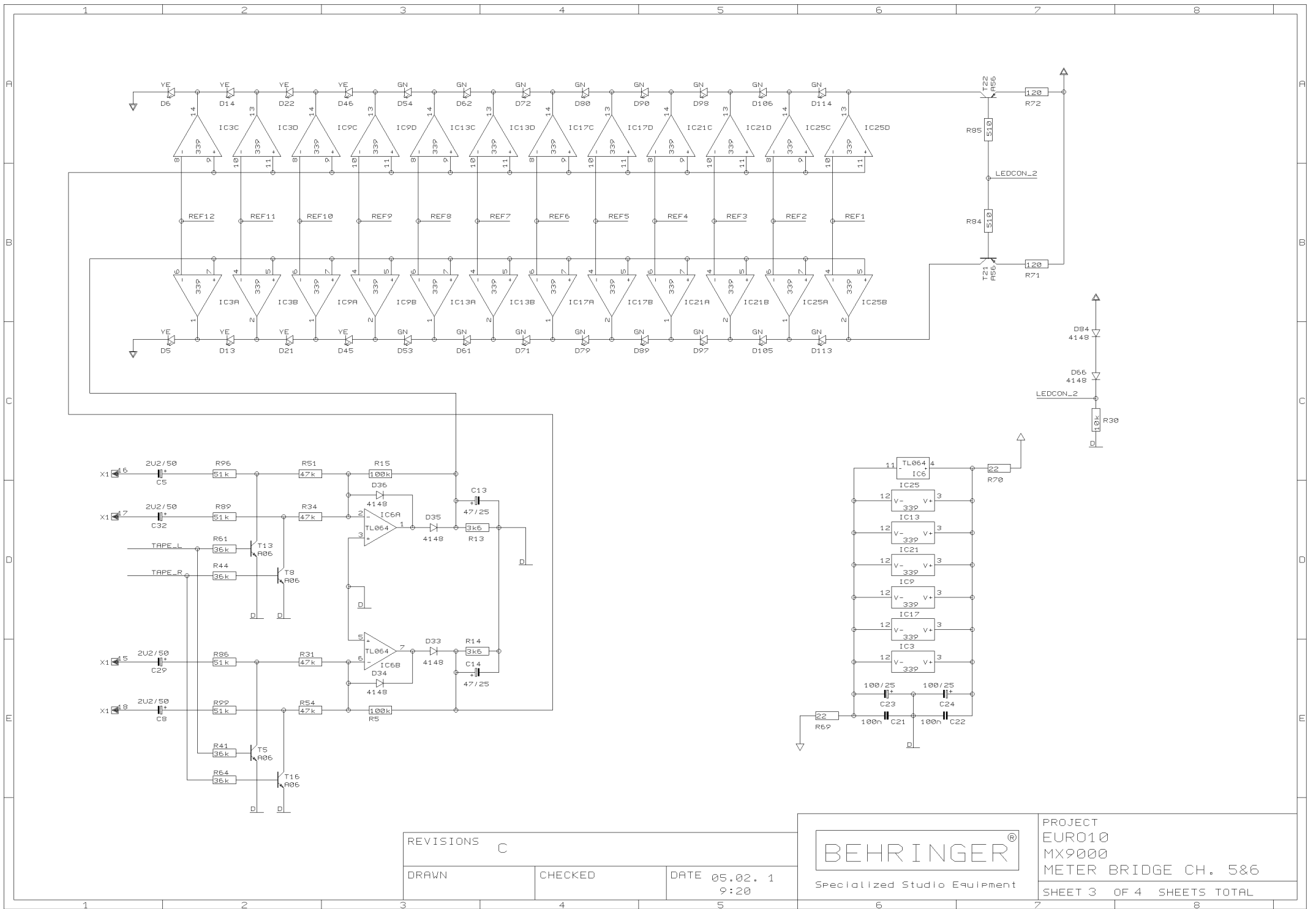
DRAWN

CHECKED

DATE 05.02. 1  
9:20



PROJECT  
EURO10  
MX9000  
METER BRIDGE CH. 3&4  
SHEET 2 OF 4 SHEETS TOTAL

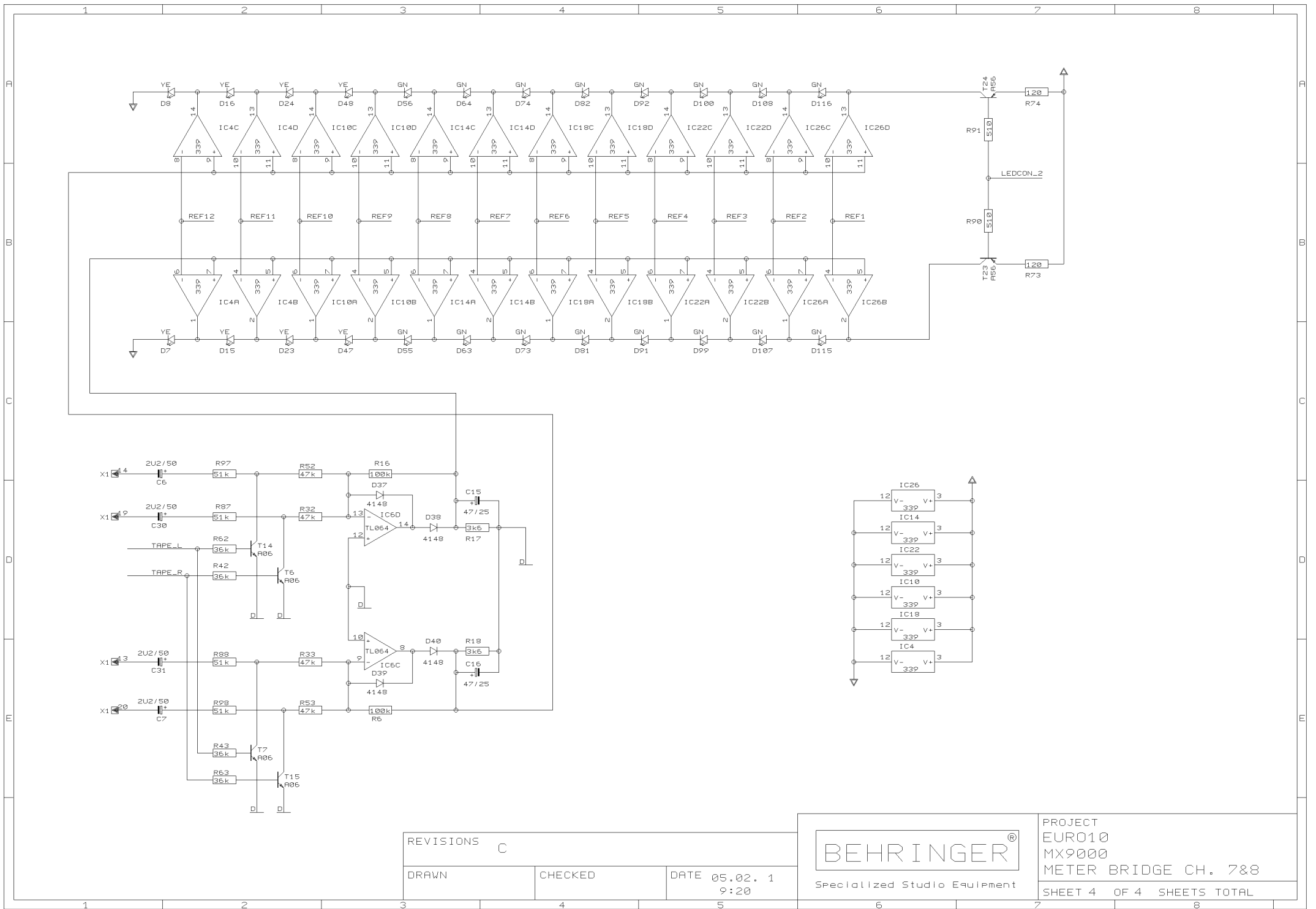


REVISIONS		
C		
DRAWN	CHECKED	DATE 05.02. 1 9:20



PROJECT  
EURO10  
MX9000  
METER BRIDGE CH. 5&6  
SHEET 3 OF 4 SHEETS TOTAL





REVISIONS C

DRAWN

CHECKED

DATE 05.02. 1  
9:20



PROJECT  
EURO10  
MX9000  
METER BRIDGE CH. 7&8  
SHEET 4 OF 4 SHEETS TOTAL

**MX8000**  
**MX9000**

DC POWER IN	
E	+ 18 V --
F	- 18 V --
D	+ 48V --
B	+ 18 V —
A	+ 5 V --

