

REVISIONS E (21/02/03)

DRAWN TZ

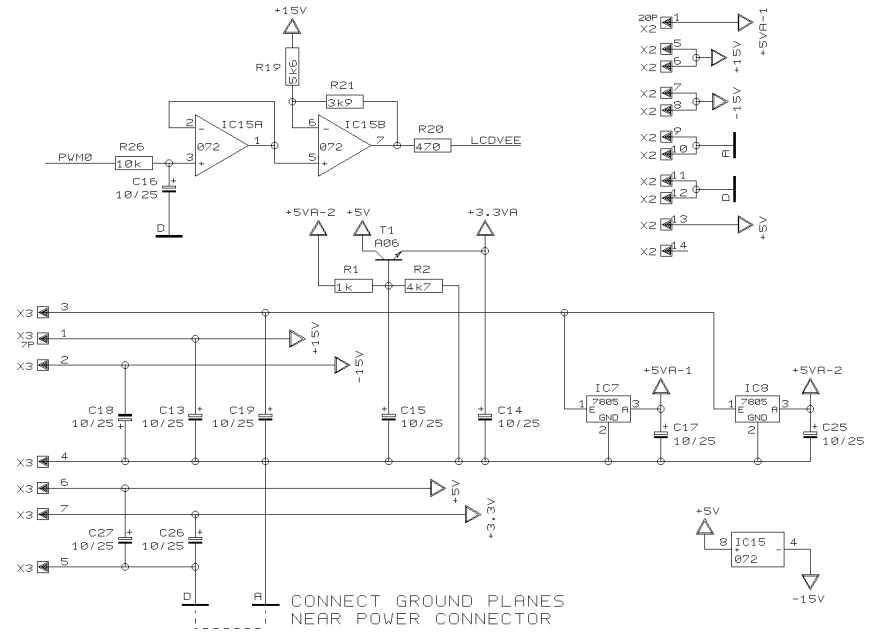
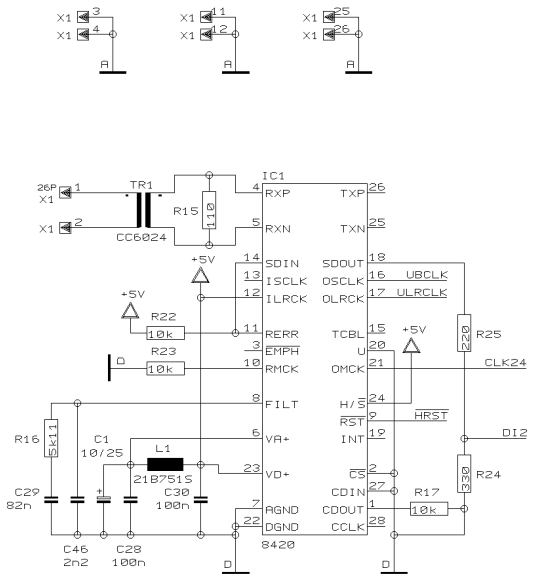
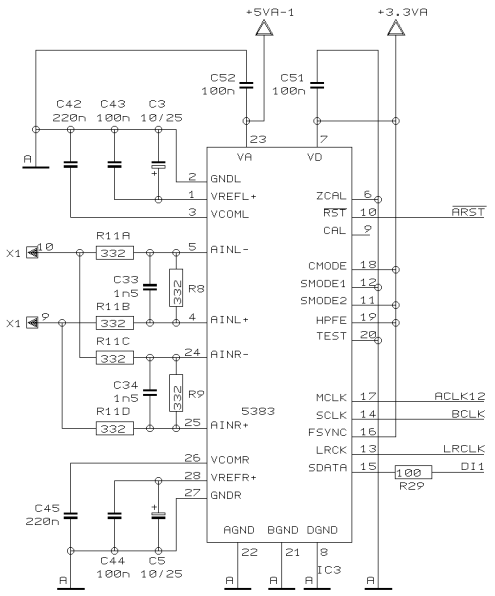
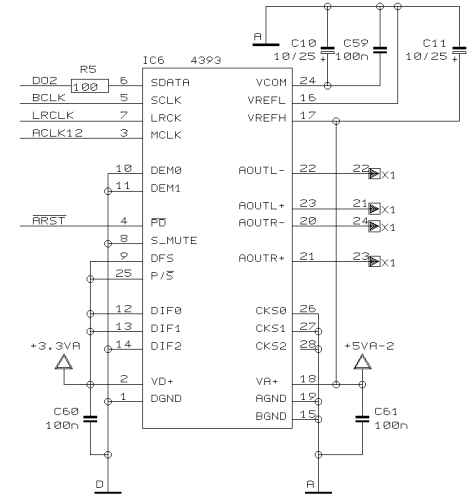
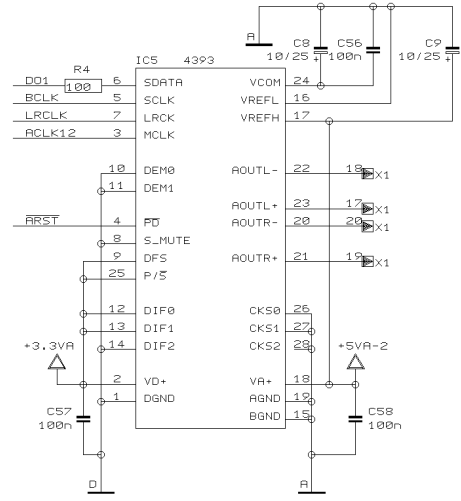
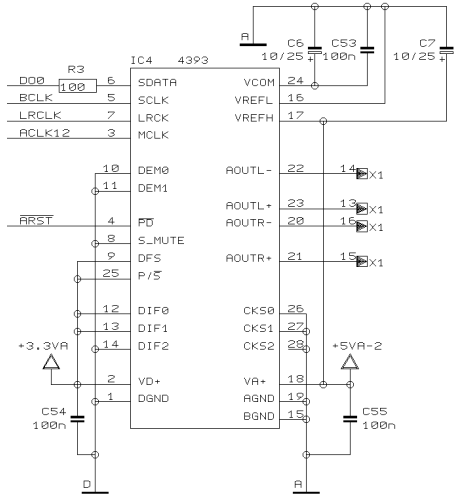
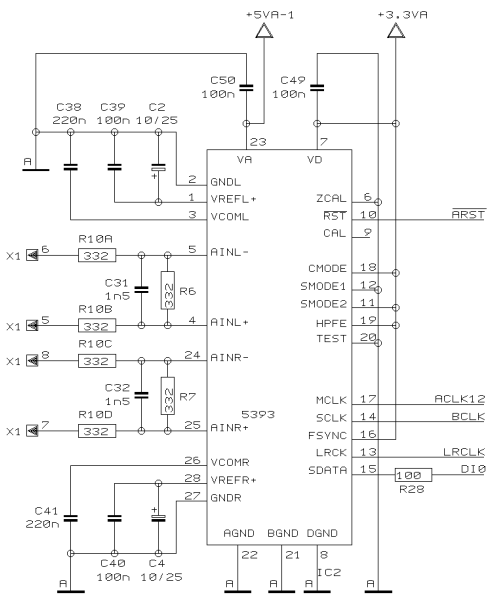
CHECKED

DATE 04.03. 3  
14:42



PROJECT  
DCX\_DSP  
ULTRADRIVE PRO  
DCX2496 DSP BOARD  
SHEET 1 OF 4 SHEETS TOTAL



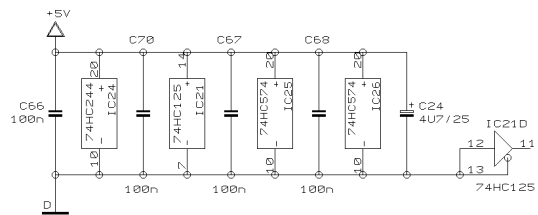
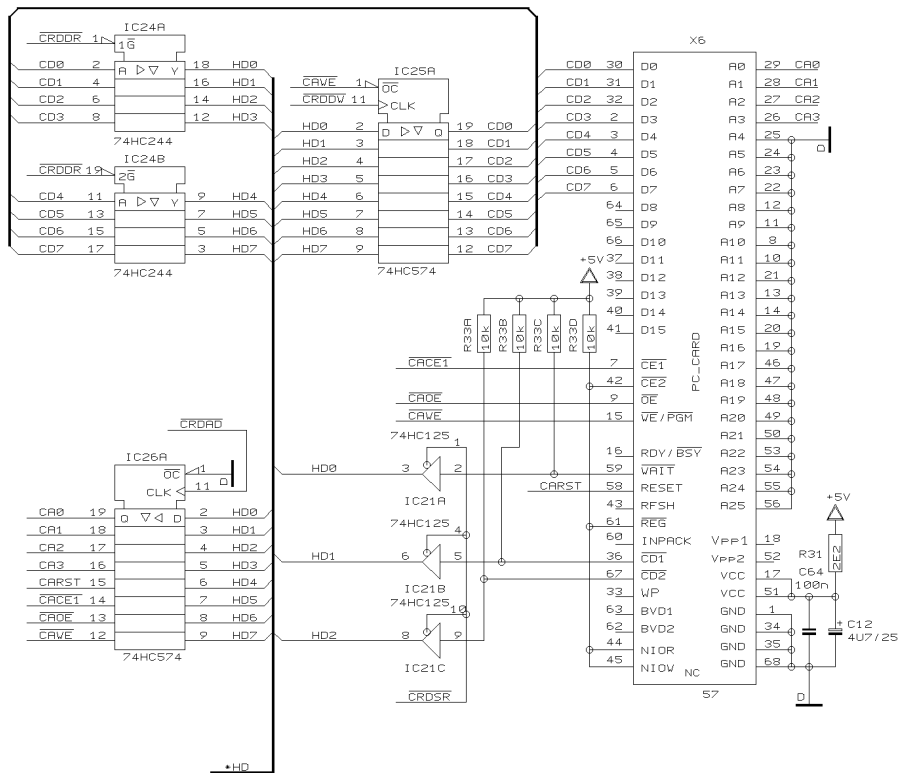


REVISIONS	E	
DRAWN	TZ	CHECKED
DATE	04.03. 3	14:42



PROJECT  
DCX\_DSP  
ULTRADRIVE PRO  
DCX2496 DSP BOARD  
SHEET 3 OF 4 SHEETS TOTAL

CONNECT GROUND PLANES  
NEAR POWER CONNECTOR



REVISIONS E

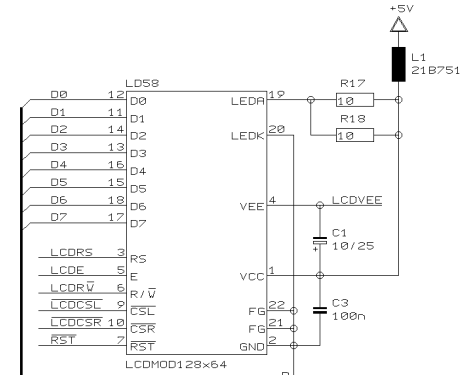
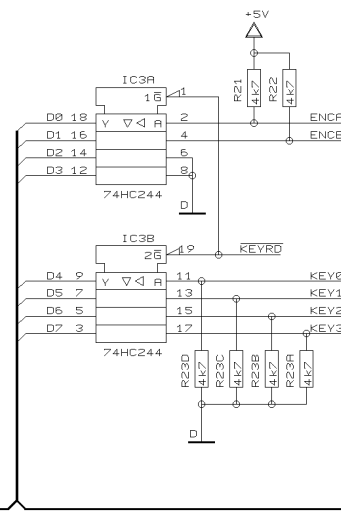
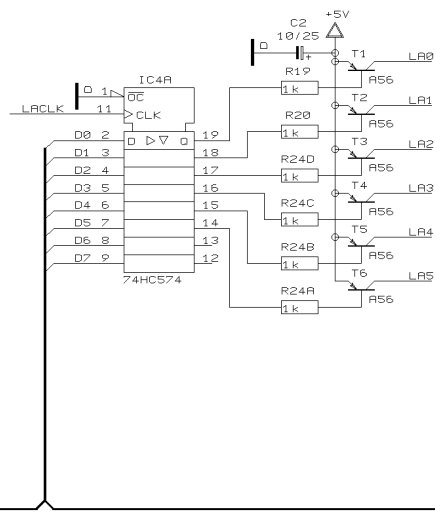
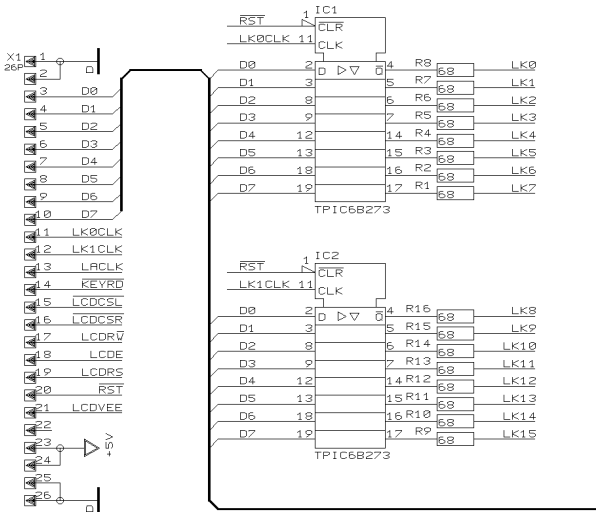
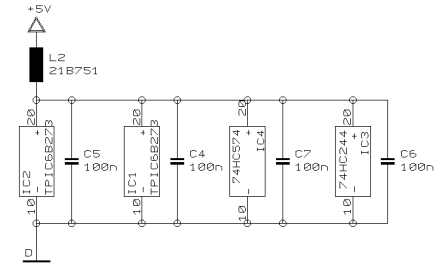
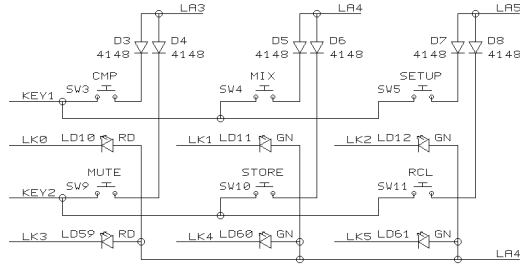
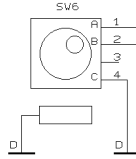
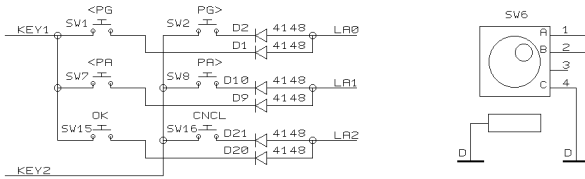
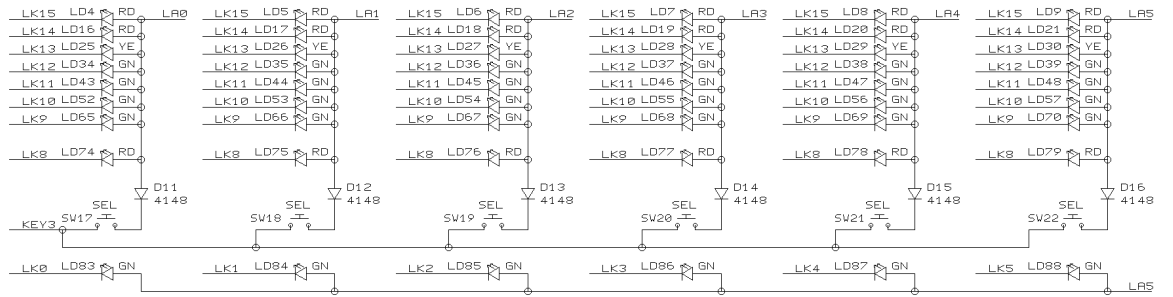
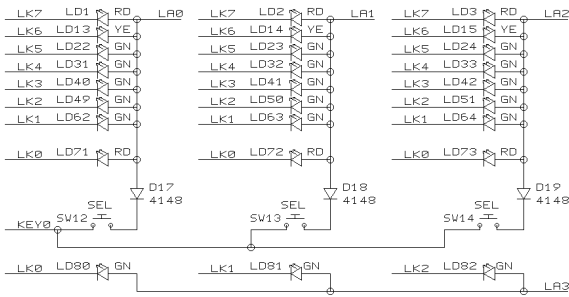
DRAWN TZ

CHECKED

DATE 04.03. 3  
14:42



PROJECT  
DCX\_DSP  
ULTRADRIVE PRO  
DCX2496 DSP BOARD  
SHEET 4 OF 4 SHEETS TOTAL



REVISIONS D (10/09/02)

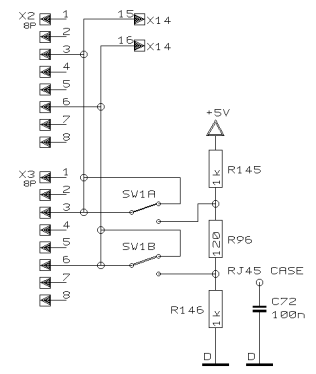
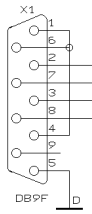
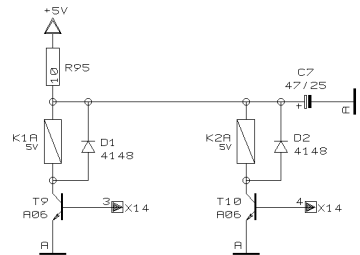
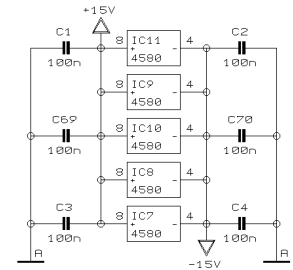
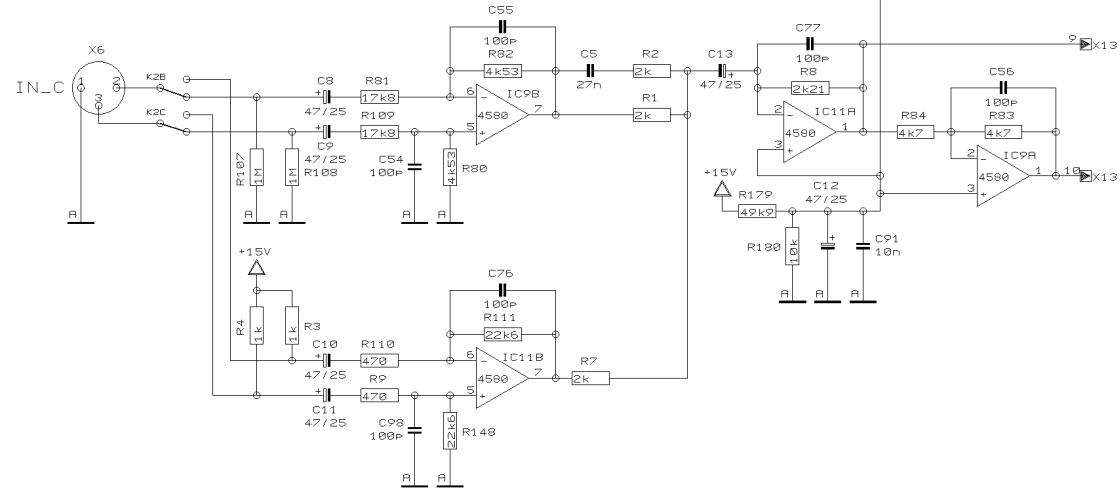
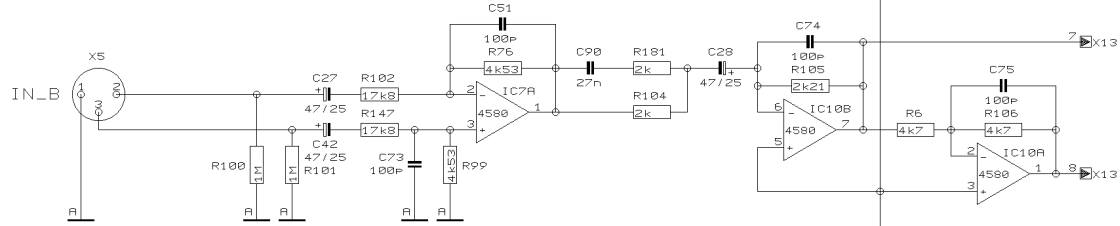
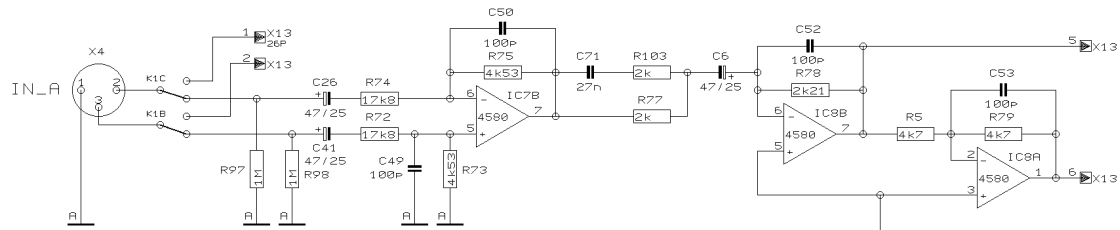
DRAWN TZ

CHECKED

DATE 04.03. 3  
14:40

BEHRINGER®  
Specialized Studio Equipment

PROJECT  
DCX2496F  
ULTRADRIVE PRO  
CONTROL INTERFACE  
SHEET 1 OF 1 SHEETS TOTAL



REVISIONS E (10/09/02)

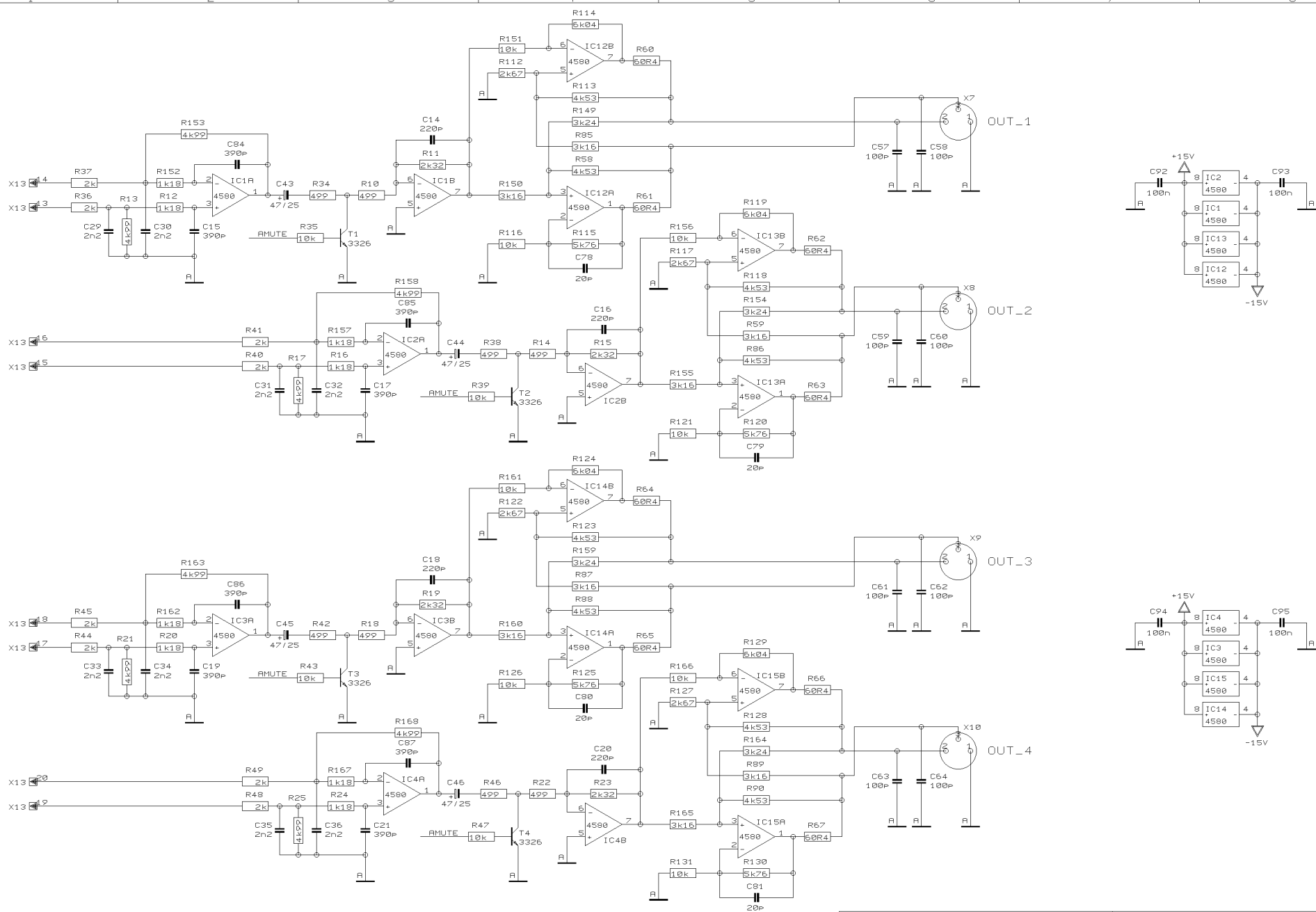
DRAWN TZ

CHECKED

DATE 04.03. 3  
14:47



PROJECT  
DCX2496B  
ULTRADRIVE  
ANALOG IO SECTION  
SHEET 1 OF 3 SHEETS TOTAL



REVISIONS E

DRAWN TZ

CHECKED

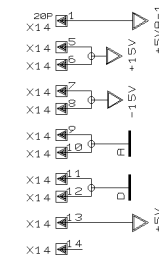
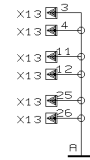
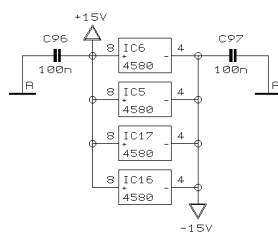
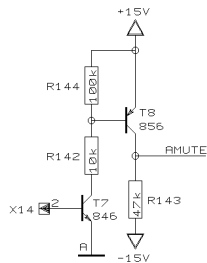
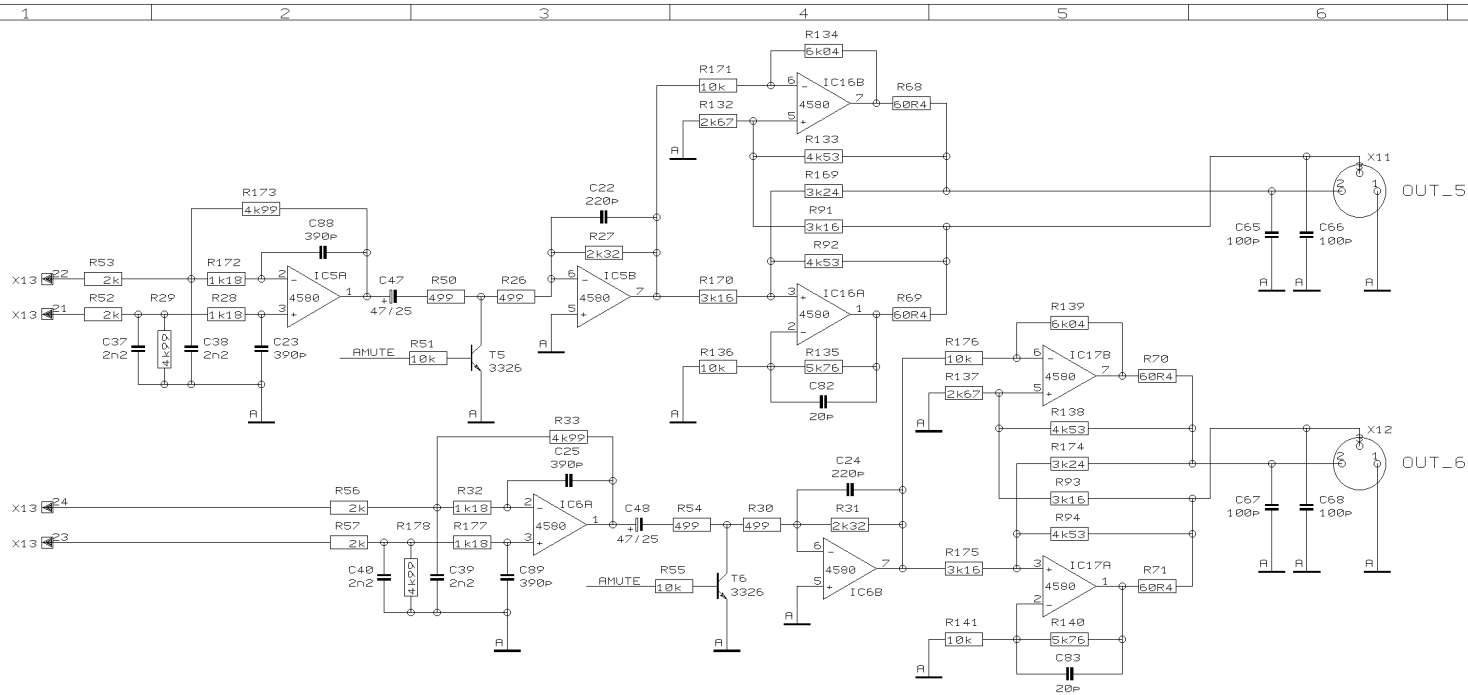
DATE 04.03. 3  
14:47

BEHRINGER®

Specialized Studio Equipment

PROJECT  
DCX2496B  
ULTRADRIVE  
ANALOG IO SECTION

SHEET 2 OF 3 SHEETS TOTAL



REVISIONS		E	
DRAWN	TZ	CHECKED	DATE 04.03. 3 14:47



PROJECT  
DCX2496B  
ULTRADRIVE  
ANALOG IO SECTION  
SHEET 3 OF 3 SHEETS TOTAL