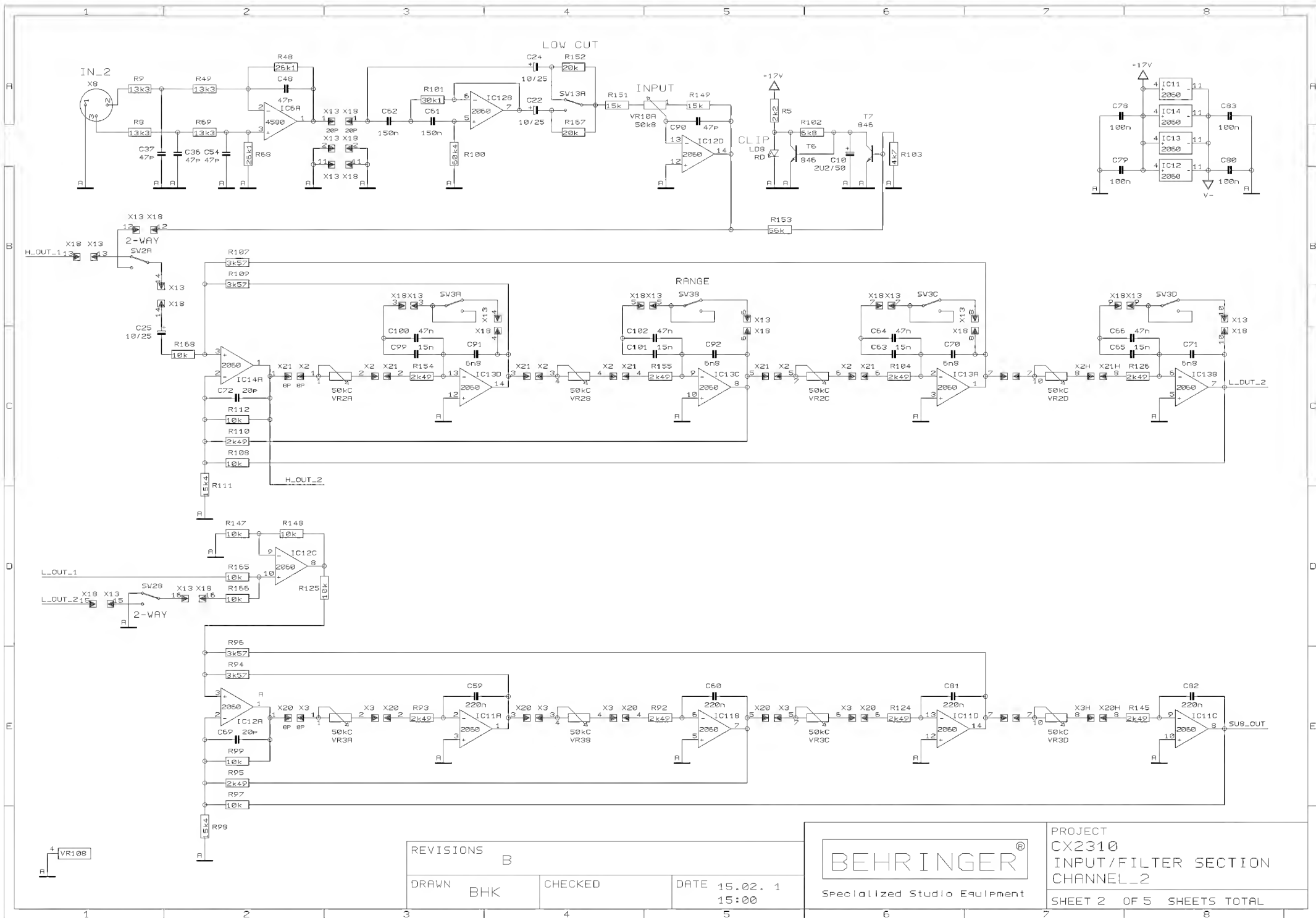


REVISIONS B (091000)

DRAWN BHK CHECKED DATE 15.02.1 15:00



PROJECT CX2310 INPUT/FILTER SECTION CHANNEL_1 SHEET 1 OF 5 SHEETS TOTAL



REVISIONS B

DRAWN BHK

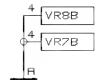
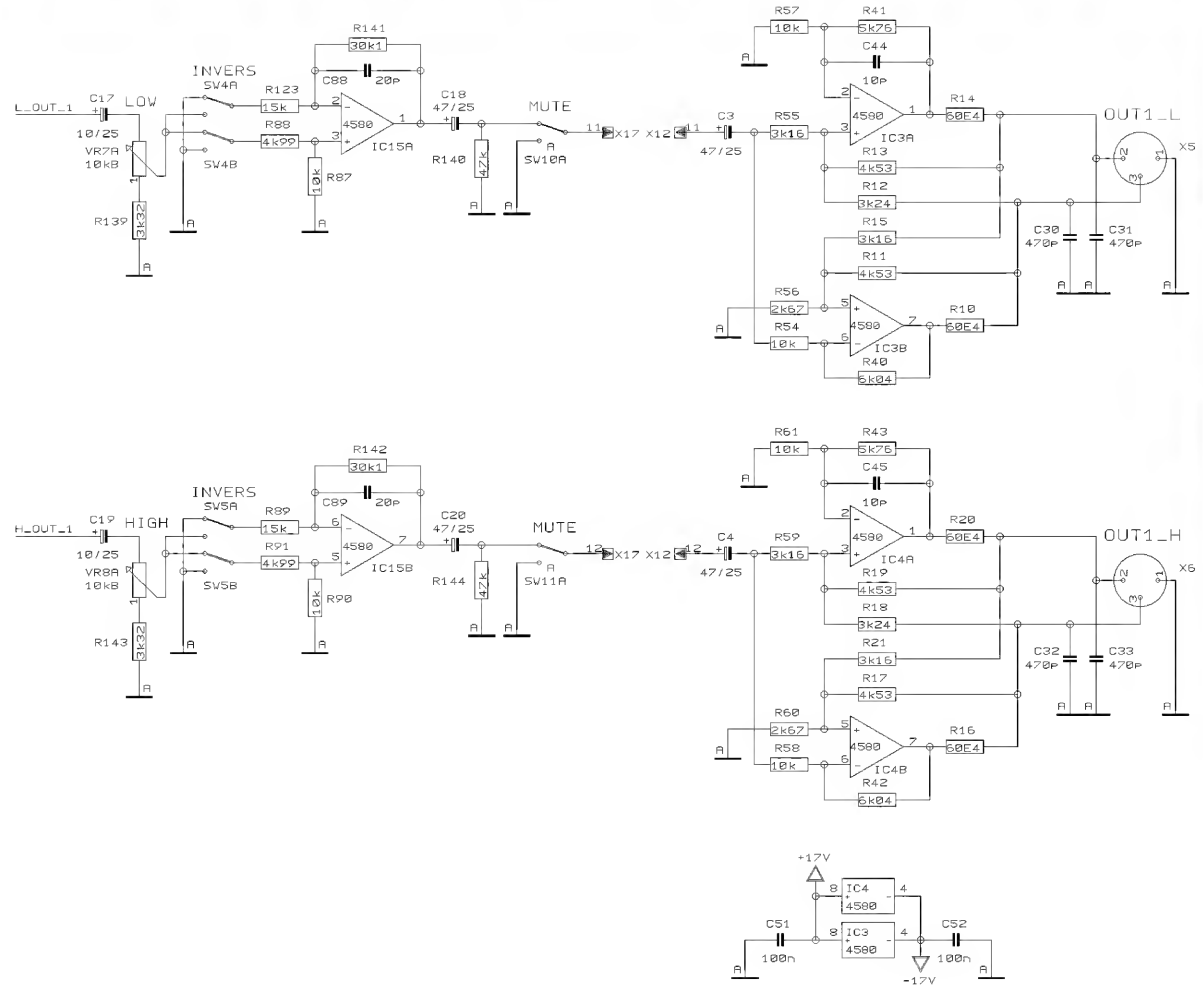
CHECKED

DATE 15.02. 1
15:00



PROJECT
CX2310
INPUT/FILTER SECTION
CHANNEL_2

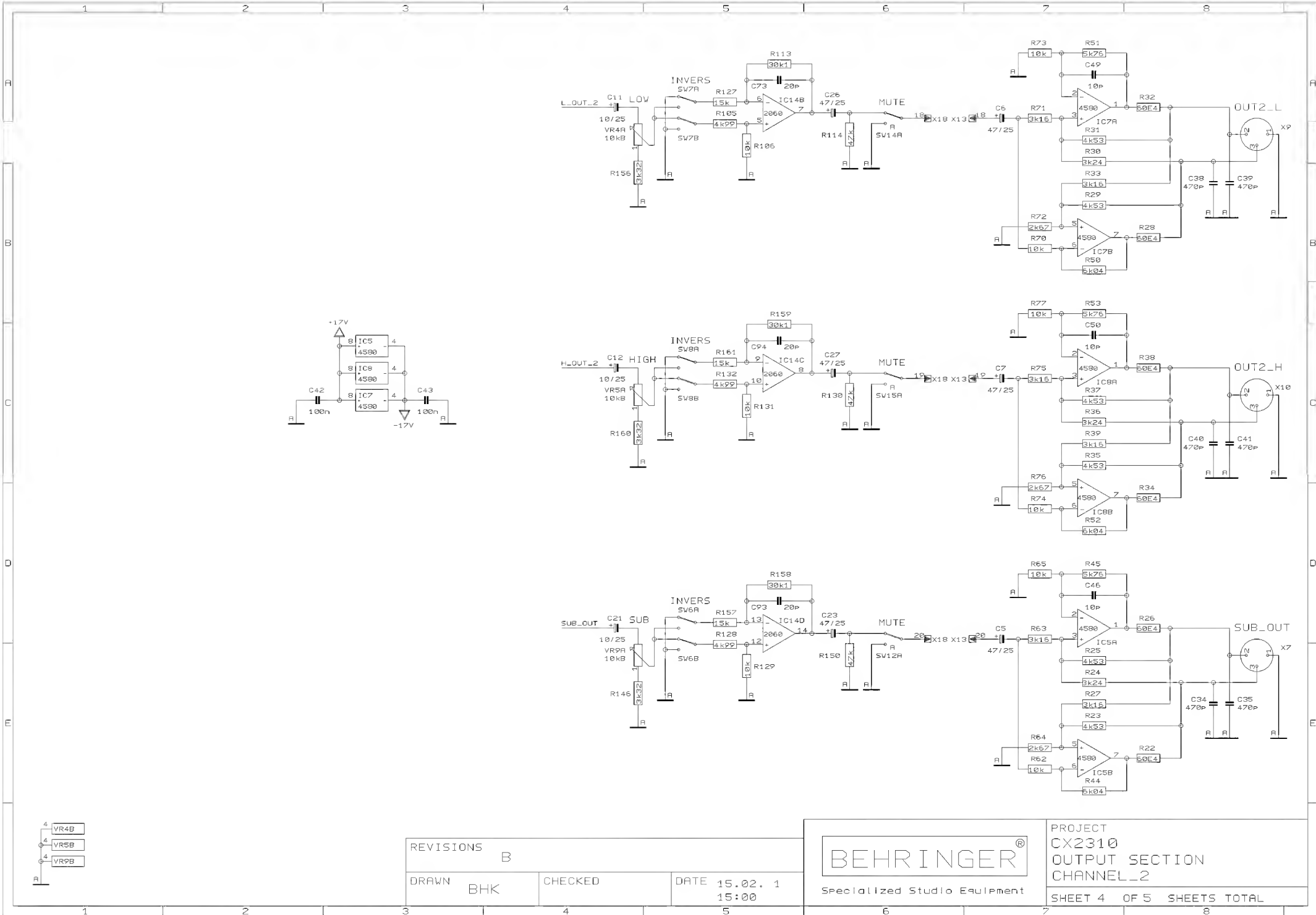
SHEET 2 OF 5 SHEETS TOTAL



REVISIONS		B	
DRAWN	BHK	CHECKED	DATE 15.02. 1 15:00



PROJECT
CX2310
OUTPUT SECTION
CHANNEL_1
SHEET 3 OF 5 SHEETS TOTAL



REVISIONS B

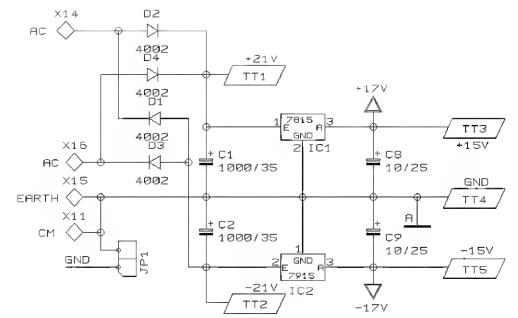
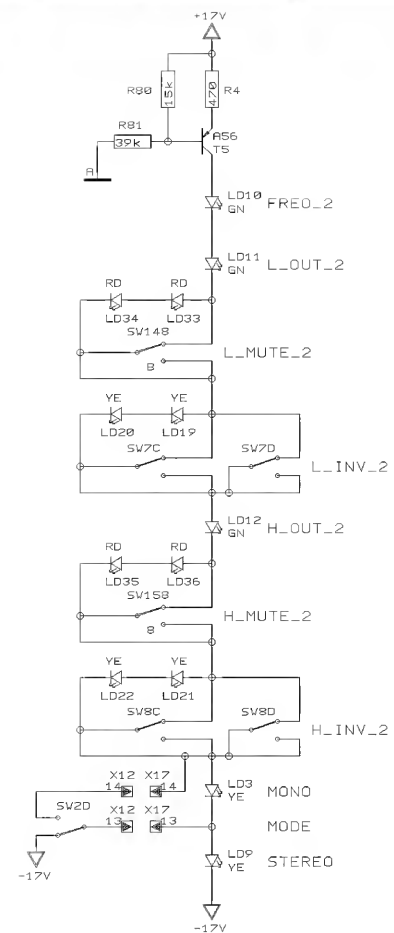
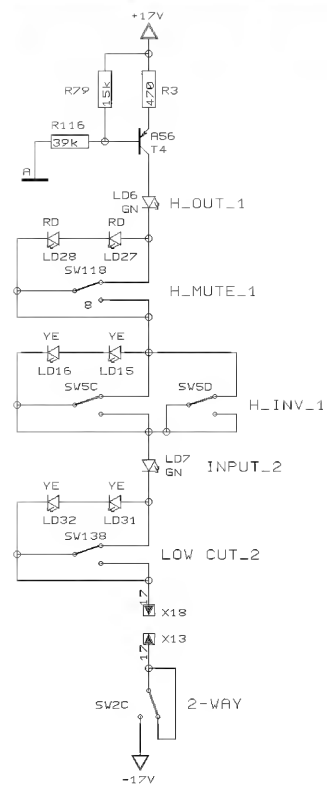
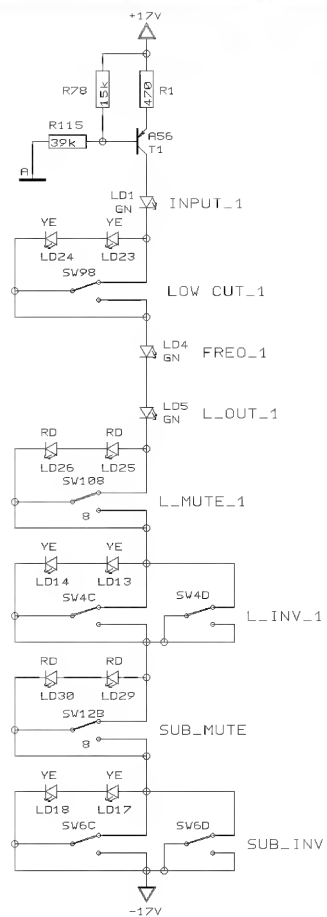
DRAWN BHK

CHECKED

DATE 15.02. 1
15:00



PROJECT CX2310
OUTPUT SECTION
CHANNEL_2
SHEET 4 OF 5 SHEETS TOTAL



REVISIONS		B	
DRAWN	BHK	CHECKED	DATE 15.02. 15:00



PROJECT
CX2310
SUPER-X PRO
PSU & LED LOGIC
SHEET 5 OF 5 SHEETS TOTAL