

REVISIONS

I

DRAWN

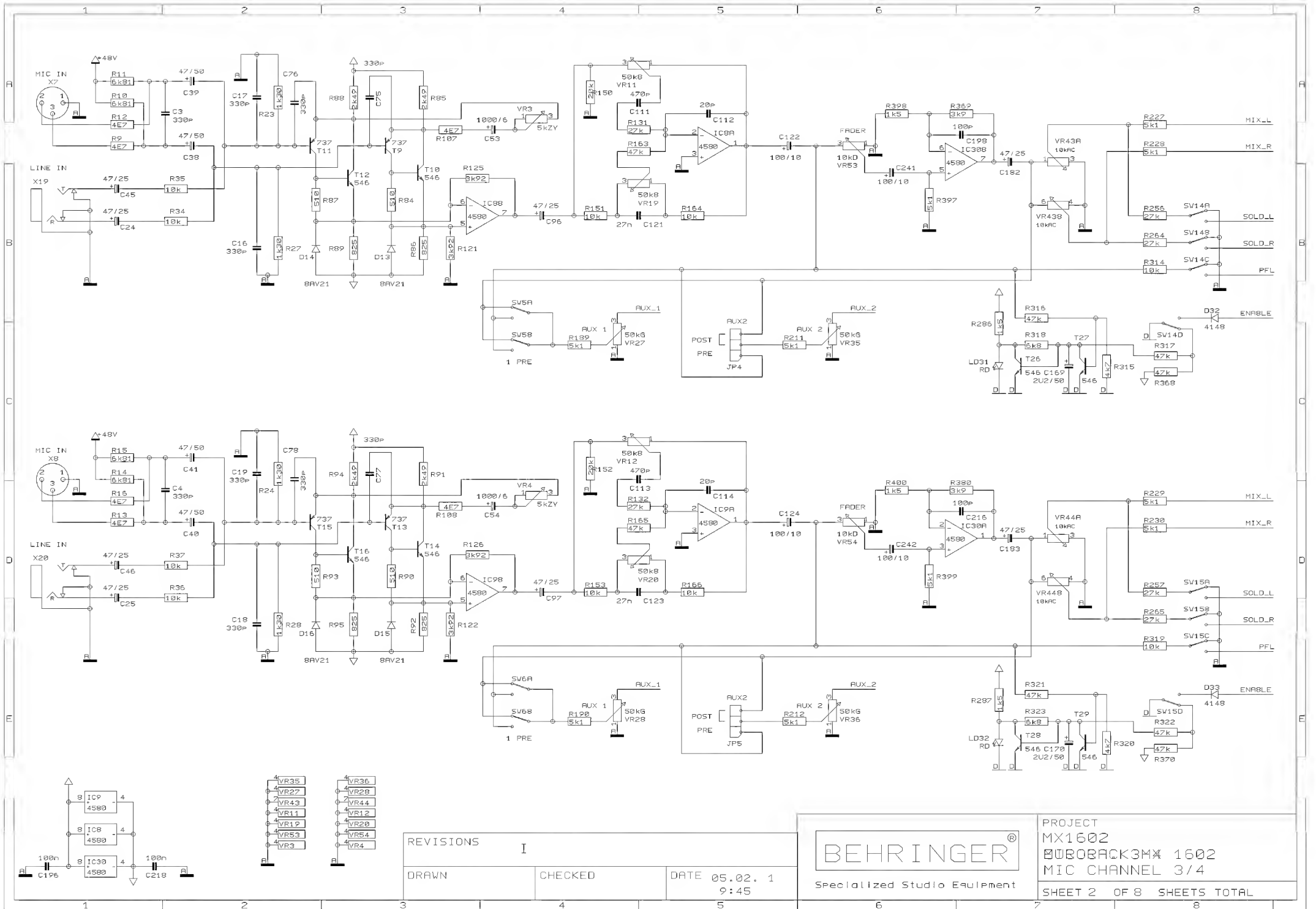
CHECKED

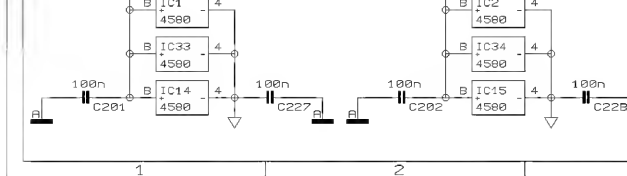
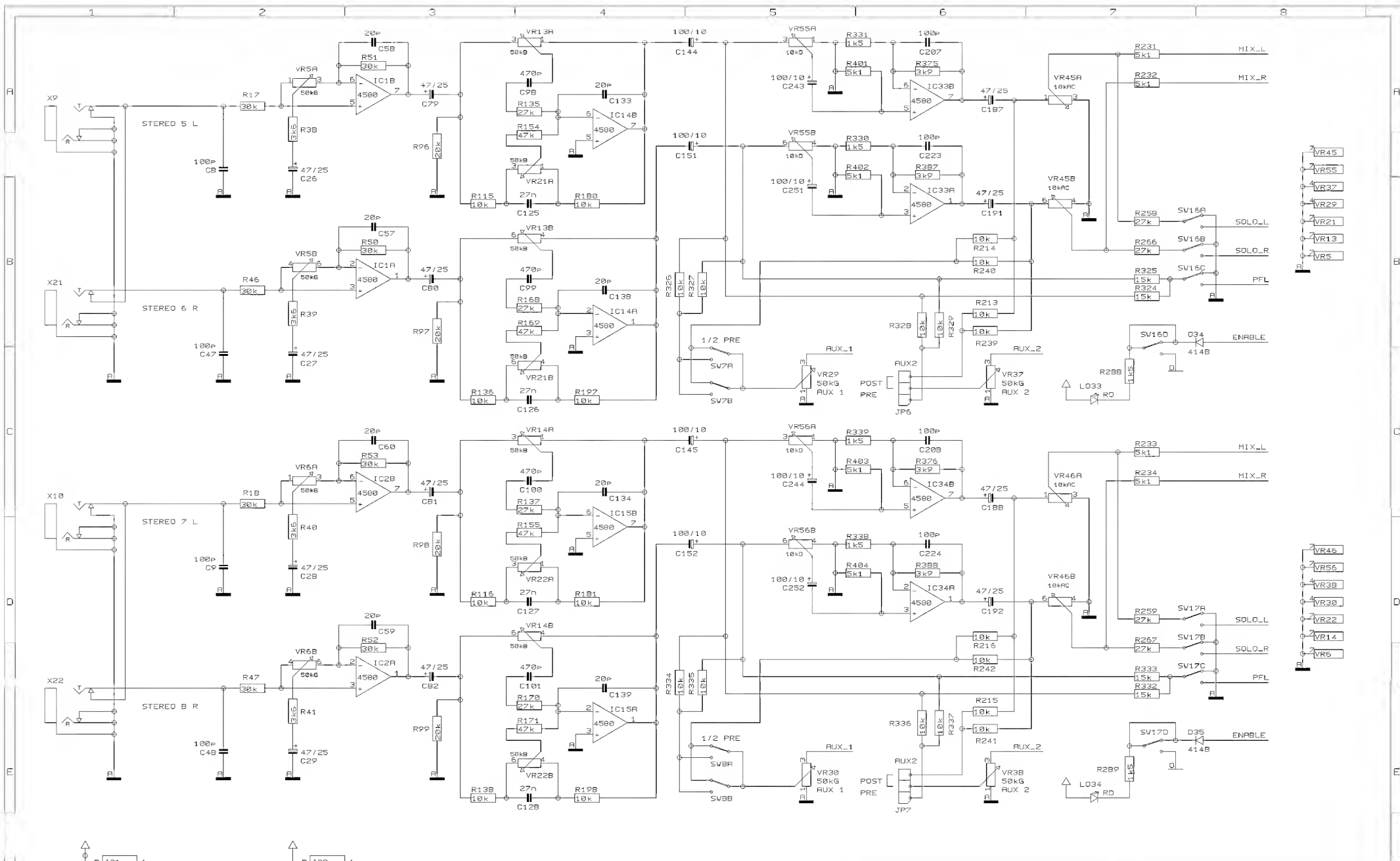
DATE 05.02. 1
9:45



PROJECT
MX1602
EURORACK MX 1602
MIC CHANNEL 1/2

SHEET 1 OF 8 SHEETS TOTAL

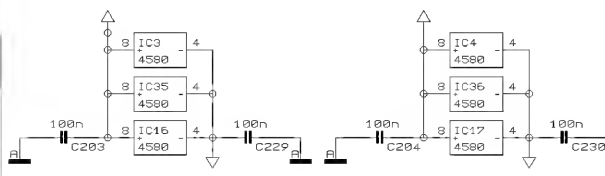
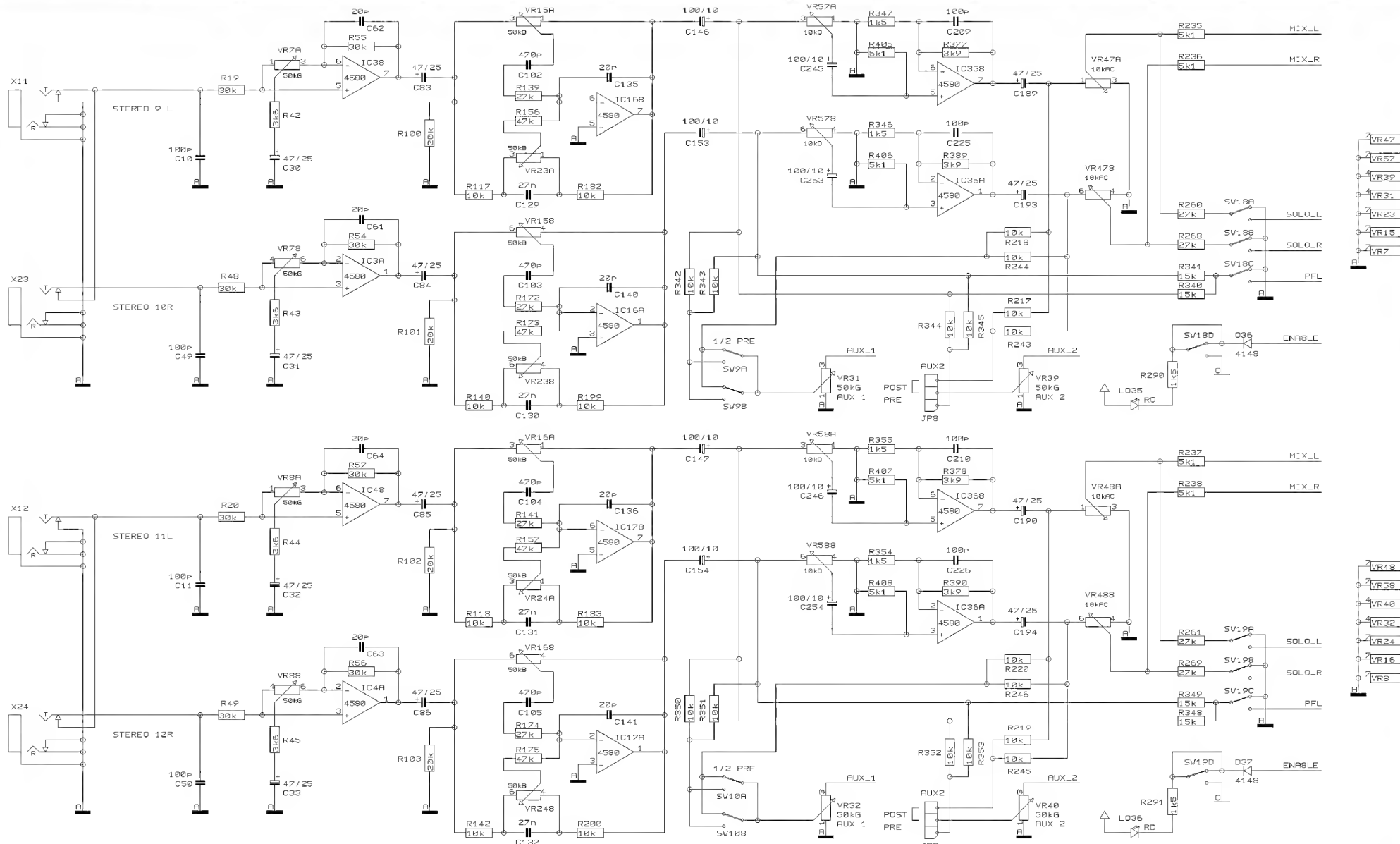




REVISIONS		I	
DRAWN	CHECKED	DATE	05.02. 1 9:45



PROJECT
MX1602
EURORACK MX 1602
STEREO CHANNEL 5-8
SHEET 3 OF 8 SHEETS TOTAL



REVISIONS

I

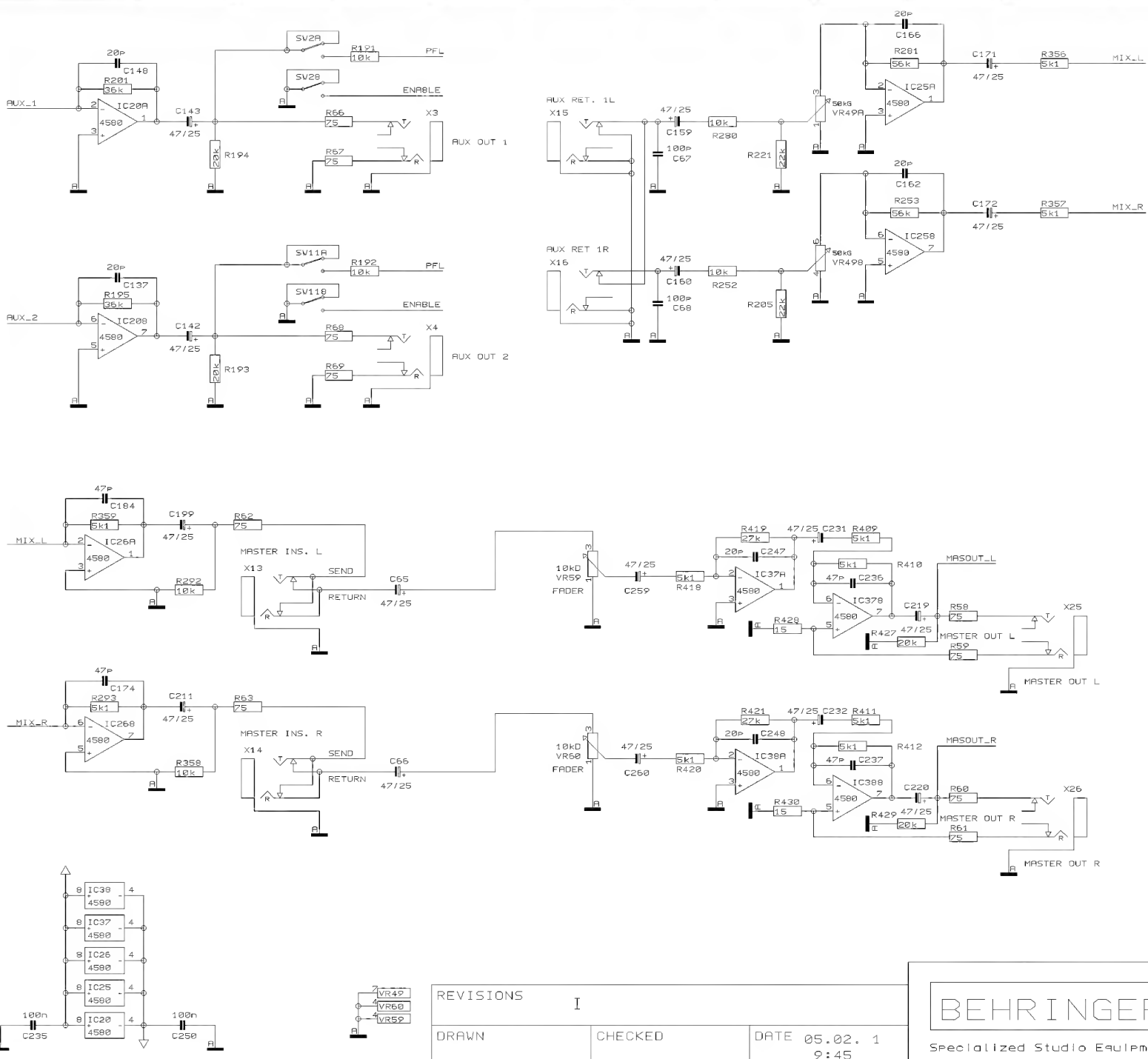
DRAWN

CHECKED

DATE 05.02. 1
9:45



PROJECT
MX1602
EURORACK MX 1602
STEREO CHANNEL 9-12
SHEET 4 OF 8 SHEETS TOTAL



REVISIONS

I

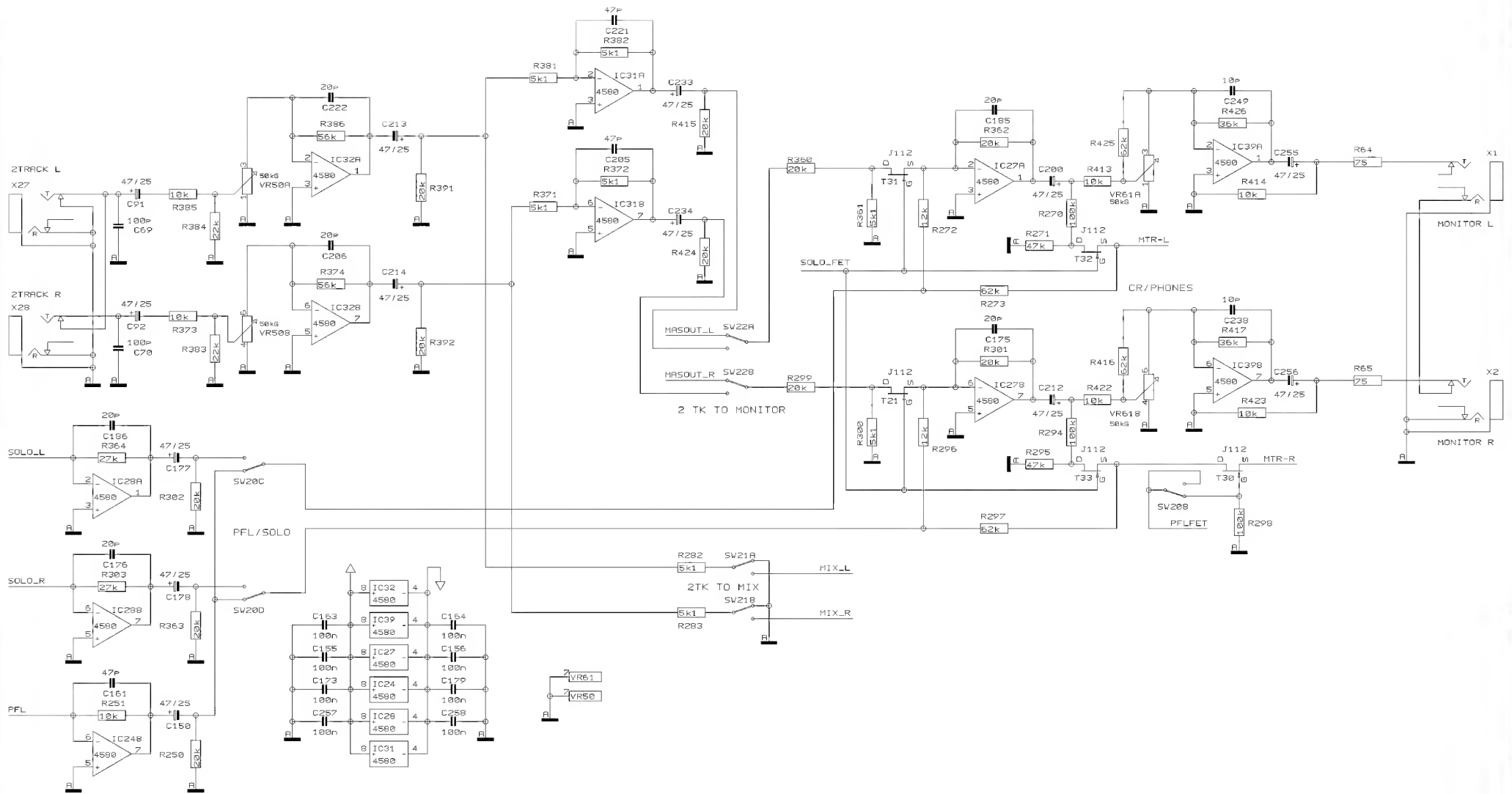
DRAWN

CHECKED

DATE 05.02. 1
9:45



PROJECT
MX1602
EURORACK MX 1602
AUX SENDS/AUX RET/MAIN
SHEET 5 OF 8 SHEETS TOTAL



REVISIONS

I

DRAWN

CHECKED

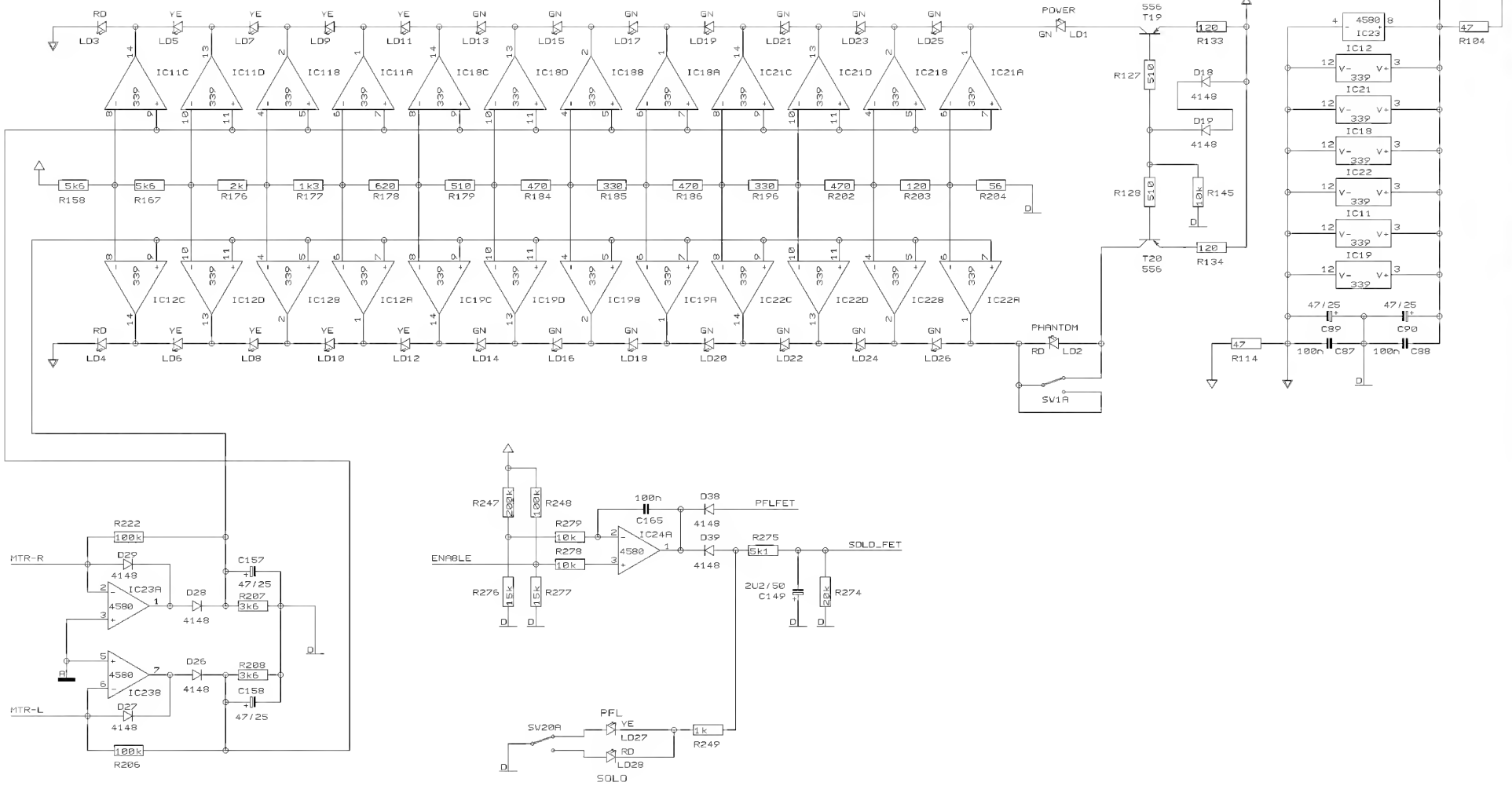
DATE 05.02. 1
9:45

BEHRINGER®

Specialized Studio Equipment

PROJECT
MX1602
EURORACK MX 1602
SOLO/PFL/MONITOR

SHEET 6 OF 8 SHEETS TOTAL



REVISIONS

I

DRAWN

CHECKED

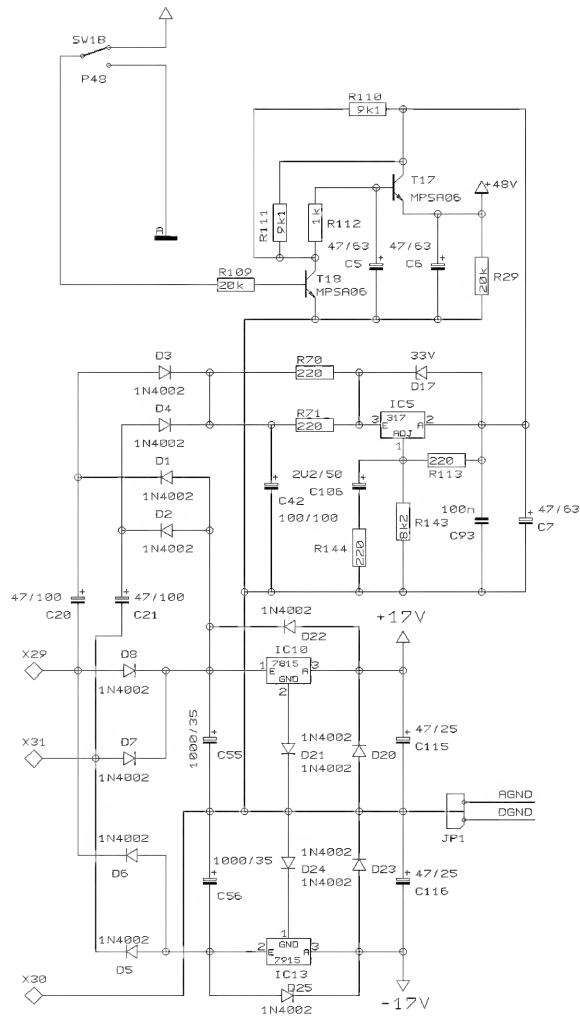
DATE 05.02. 1
9:45



Specialized Studio Equipment

PROJECT
MX1602
EURORACK MX 1602
LED BARS

SHEET 7 OF 8 SHEETS TOTAL



REVISIONS

I

DRAWN

CHECKED

DATE 05.02. 1
9:45

BEHRINGER®

Specialized Studio Equipment

PROJECT
MX1602
EURORACK MX 1602
POWER SUPPLY

SHEET 8 OF 8 SHEETS TOTAL