

## ***15.0 Schematics***

---

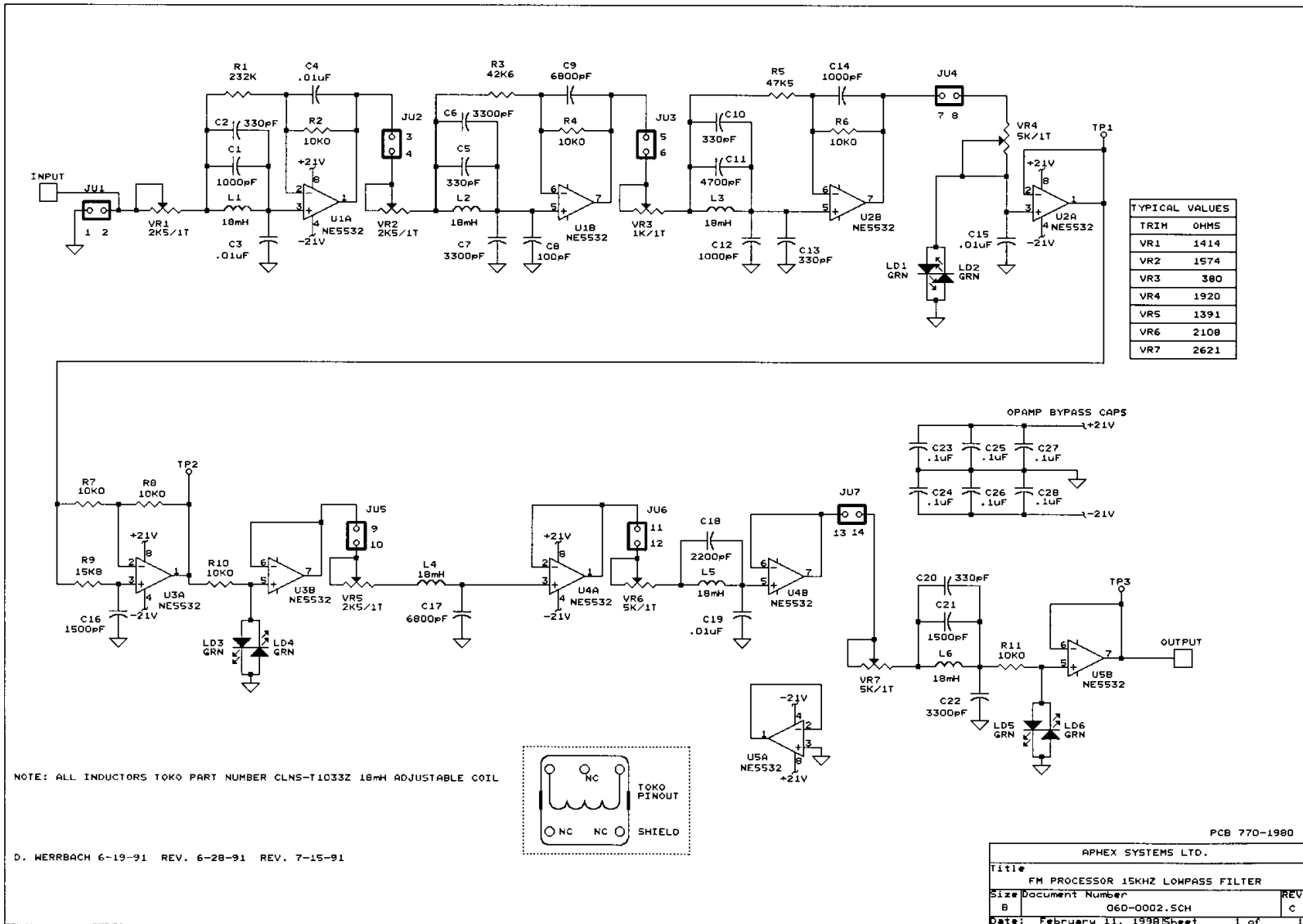
### **15.1 Advisory**

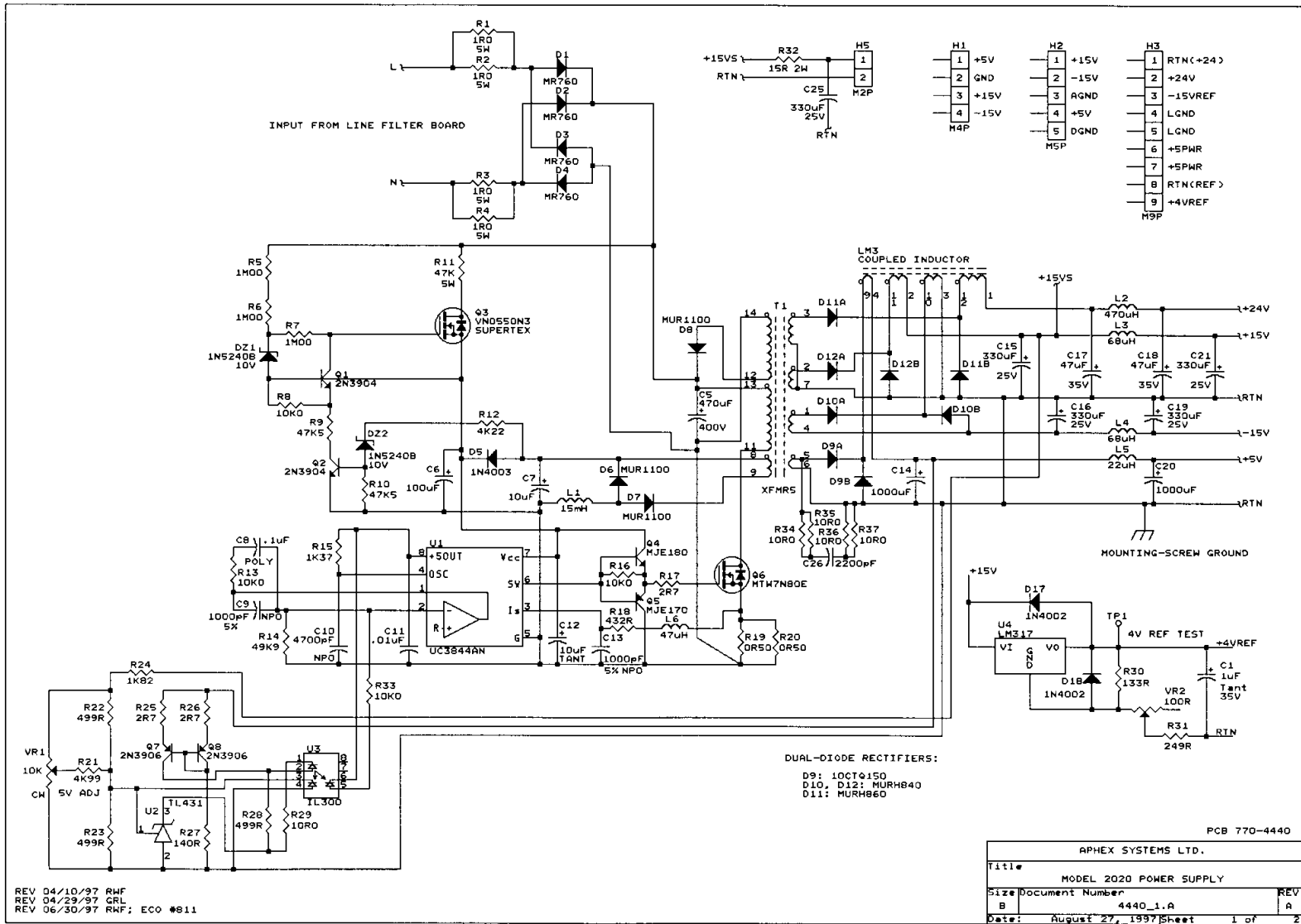
The diagrams included in this manual are intended principally as a resource for competent maintenance personnel. Many of the circuits are patented and are therefore protected under patent laws. Apex Systems reserves all patent rights. It shall not be construed that publishing of schematics in this manual grants or implies permission for use in any way.

All schematic diagrams included in this manual are believed to be essentially accurate, although they may not reflect the running upgrades and modifications that have occurred since they were drawn. The Model 2020 unit shipped with this manual may contain updates not shown by schematics of the manual. It is our belief that any such variances will be obvious to trained maintenance personnel upon examination, and that such variances will cause little difficulty in the successful repair of the unit.

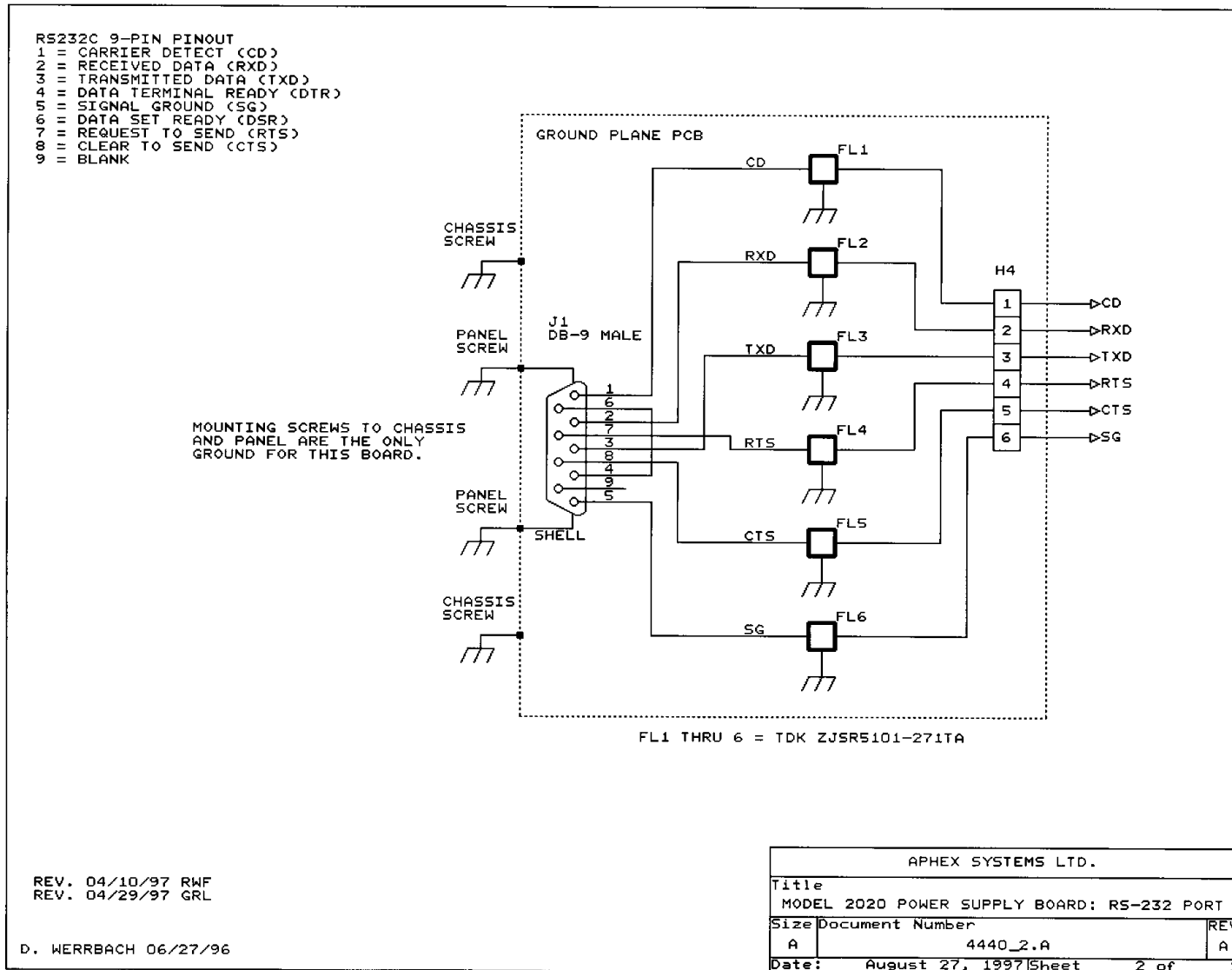
It is not our intention to provide assistance to entrepreneurs who may want to experiment with or modify the product in any way. The schematics are not warranted for any such use. All liability rests with the entrepreneur in such as case.

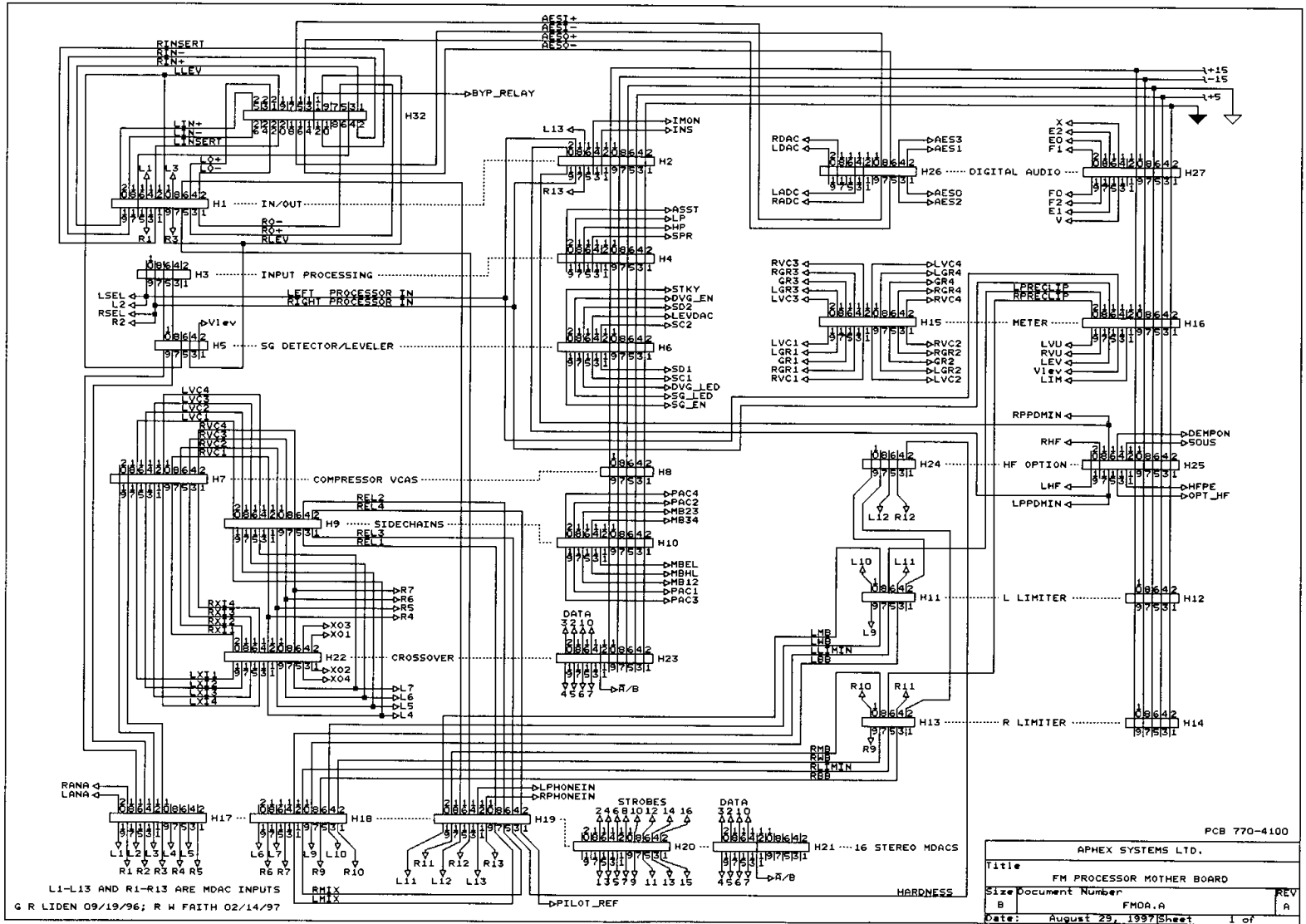
**15.2 The Schematics** →

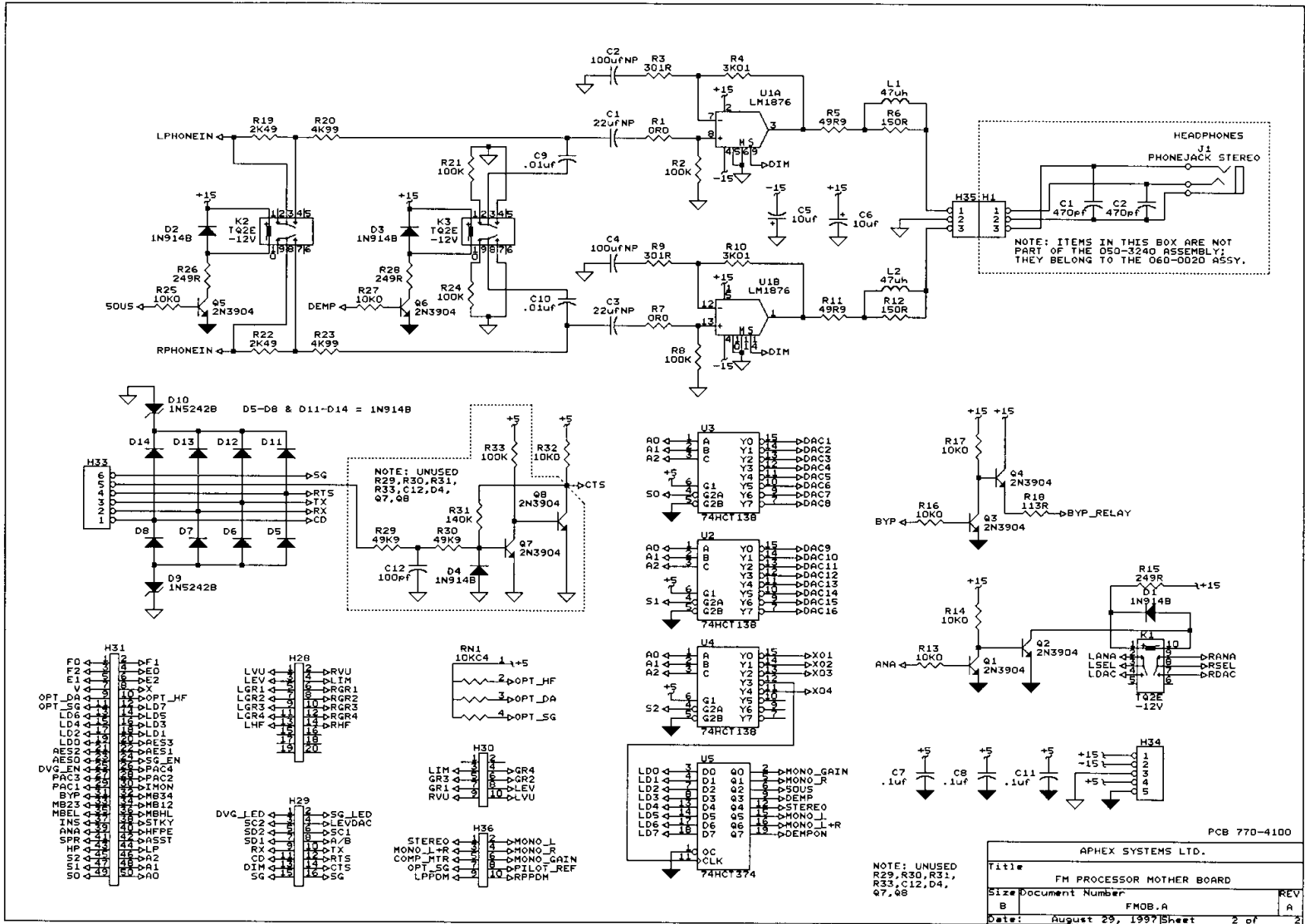


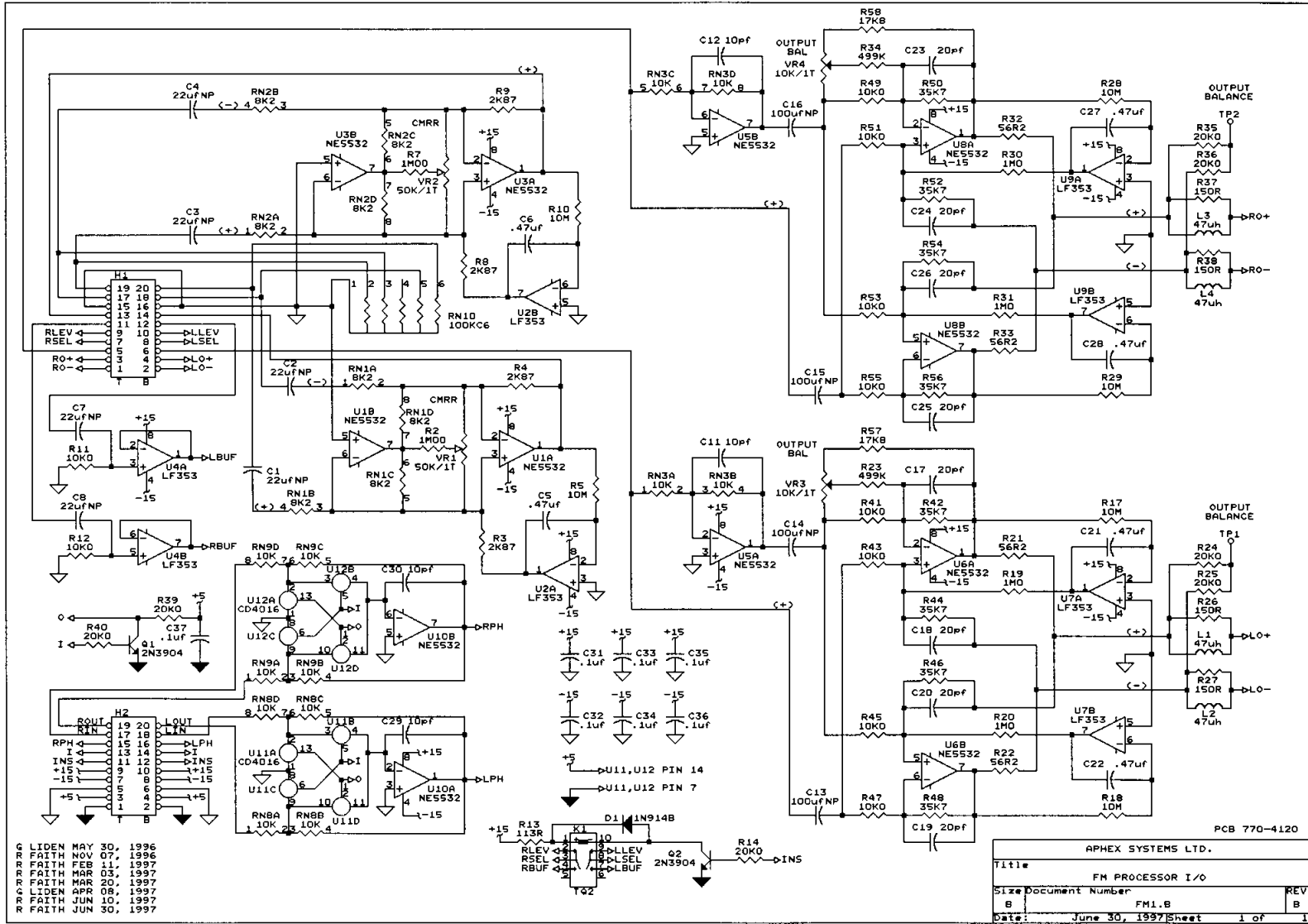


REV 04/10/97 RWF  
 REV 04/29/97 GRL  
 REV 06/30/97 RWF; ECO #811



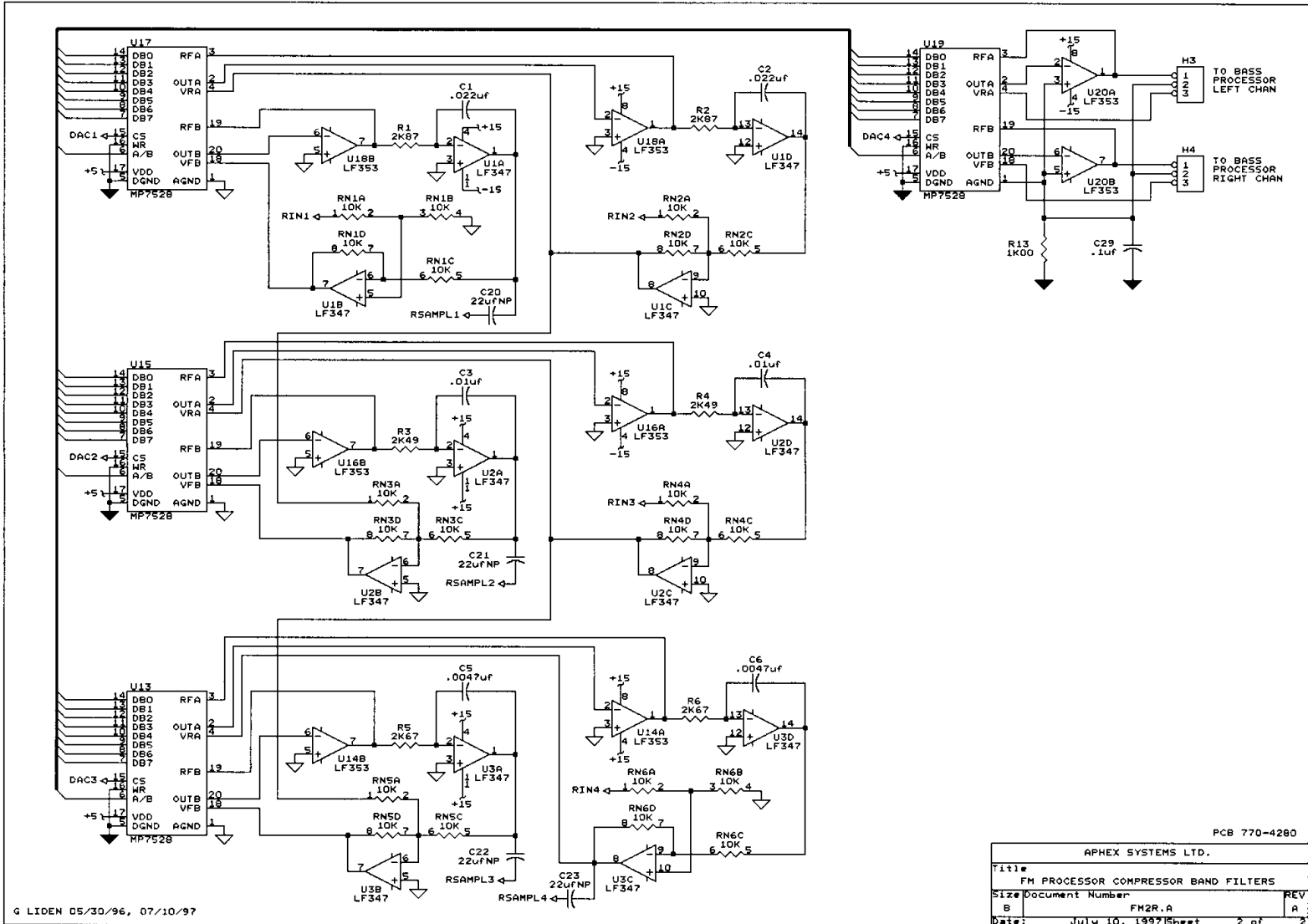






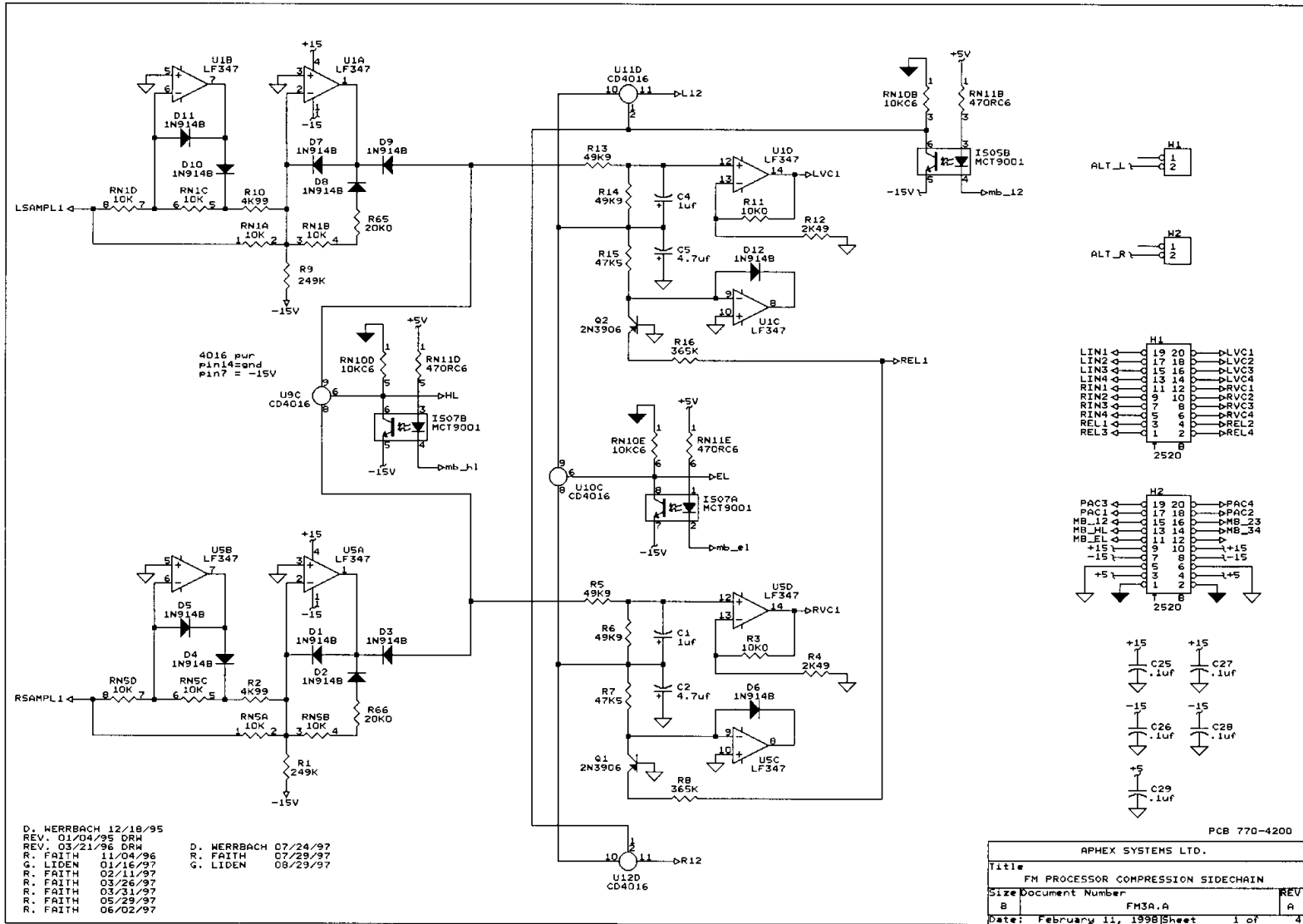






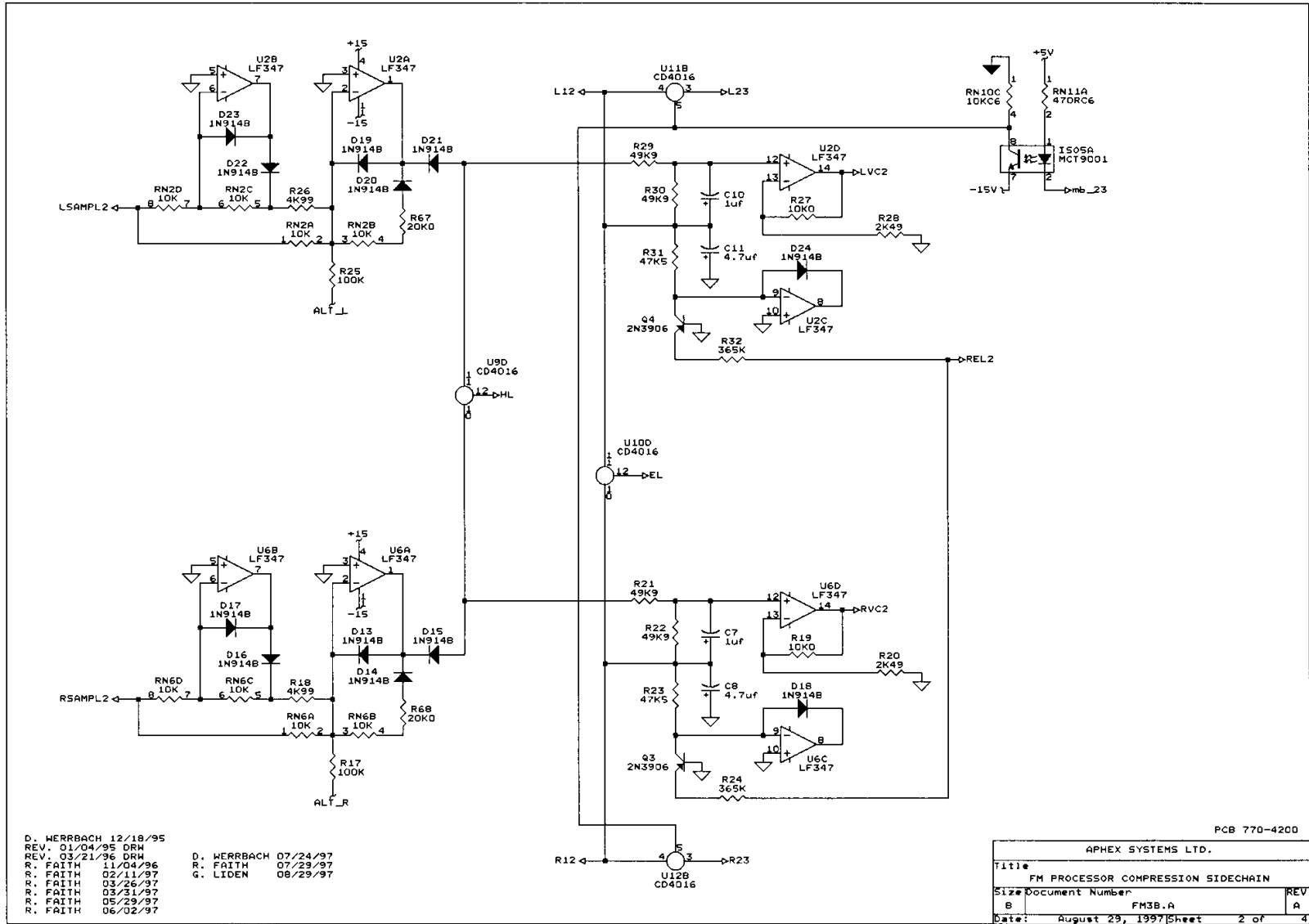
PCB 770-4280

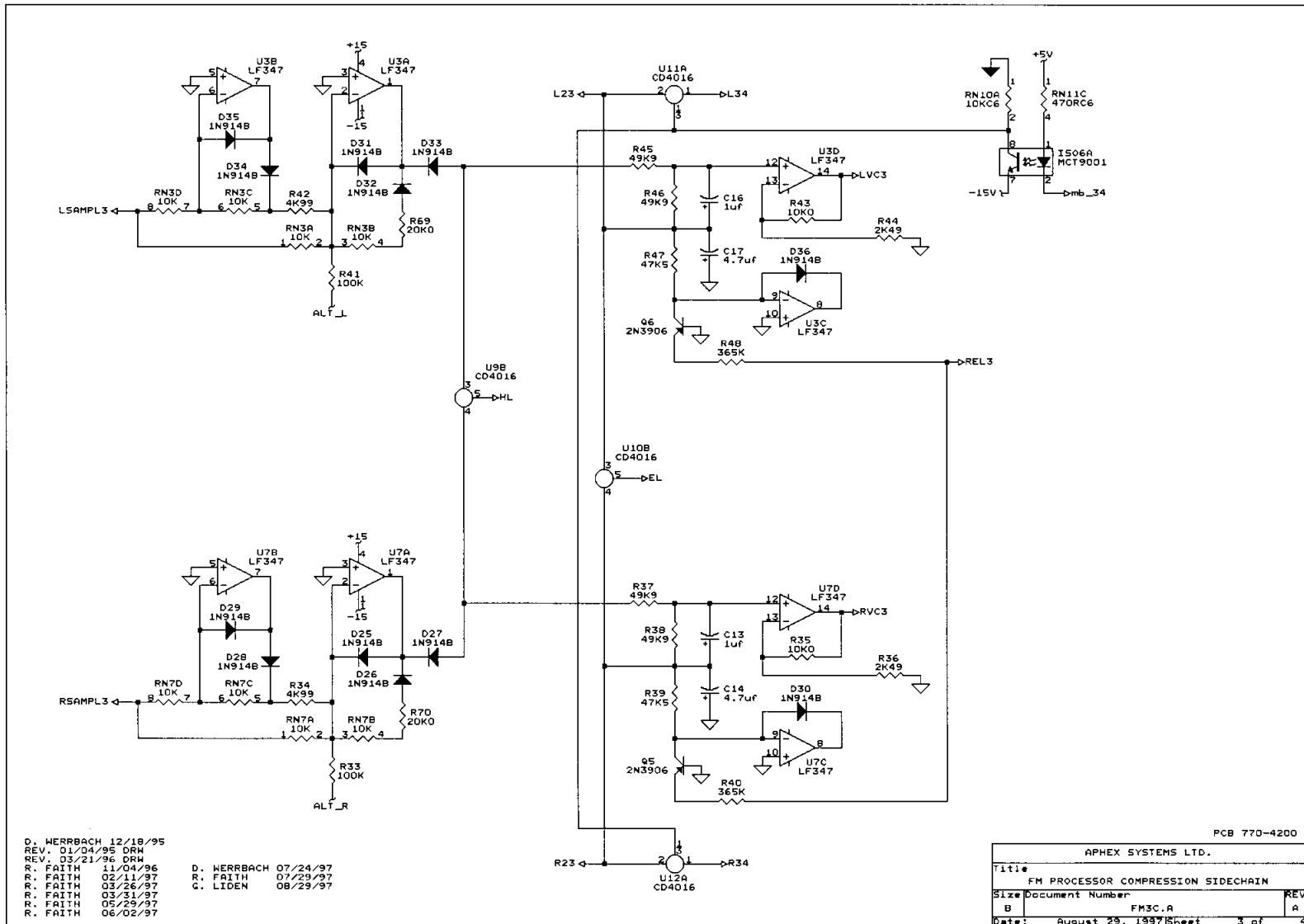
APHEX SYSTEMS LTD.		
Title:	FM PROCESSOR COMPRESSOR BAND FILTERS	
Size:	Document Number	REV
B	FM2R.A	A
Date:	July 10, 1997	Sheet 2 of 2



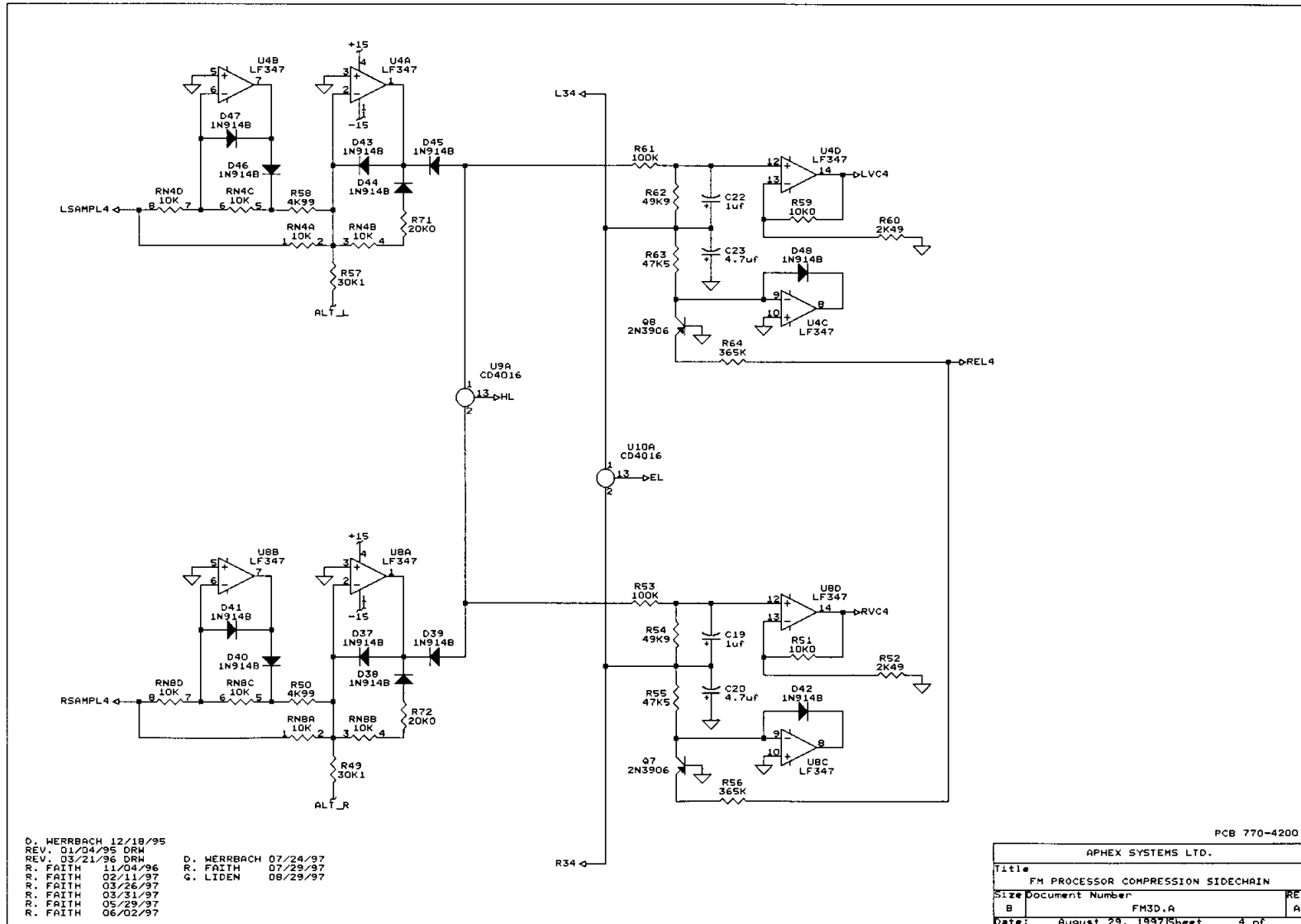
D. HERRBACH 12/18/95  
 REV. 01/04/96 DRW  
 REV. 03/21/96 DRW  
 R. FAITH 11/04/96  
 G. LIDEN 01/16/97  
 R. FAITH 02/11/97  
 R. FAITH 03/26/97  
 R. FAITH 03/31/97  
 R. FAITH 05/29/97  
 R. FAITH 06/02/97

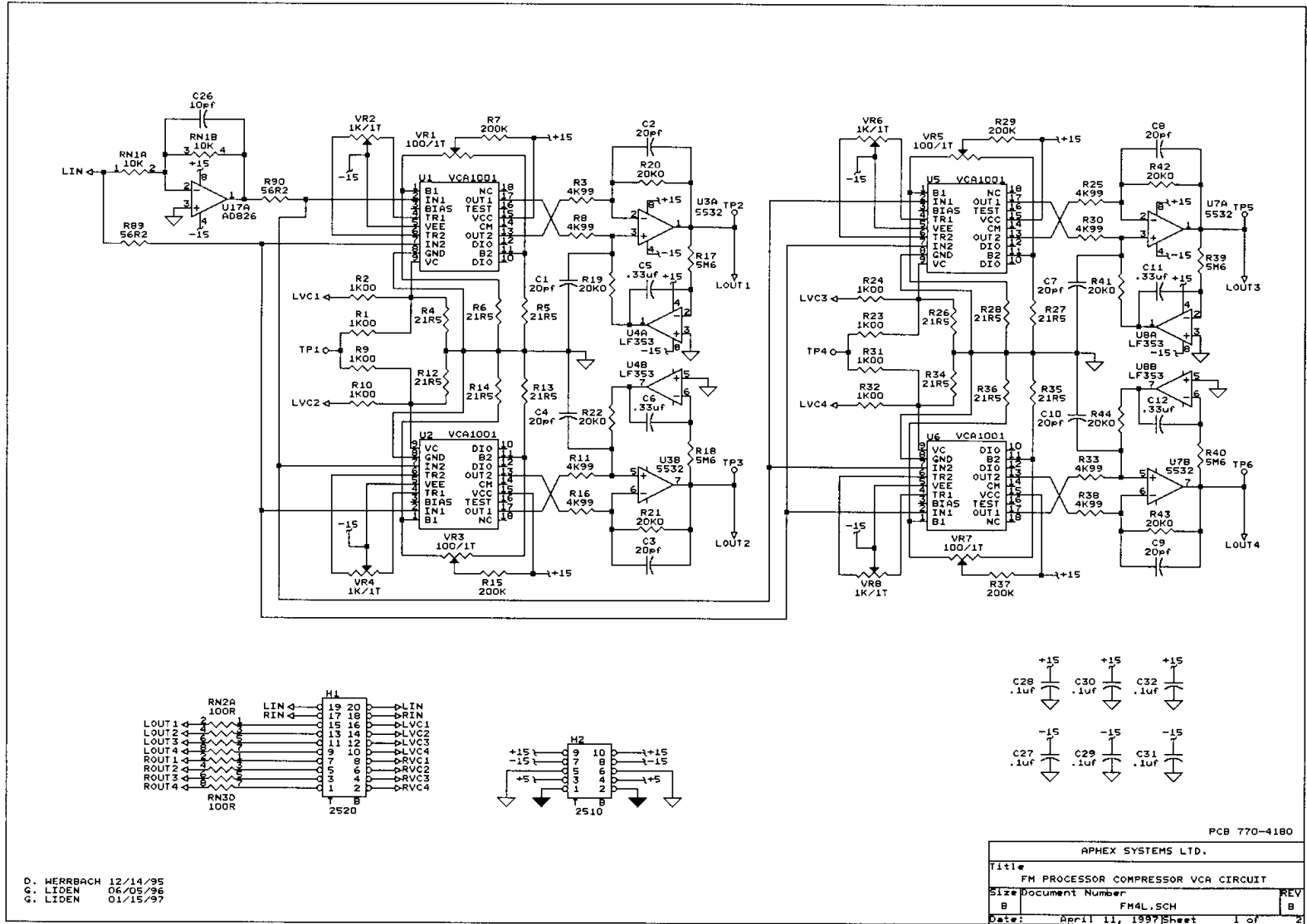
D. HERRBACH 07/24/97  
 R. FAITH 07/29/97  
 G. LIDEN 08/29/97



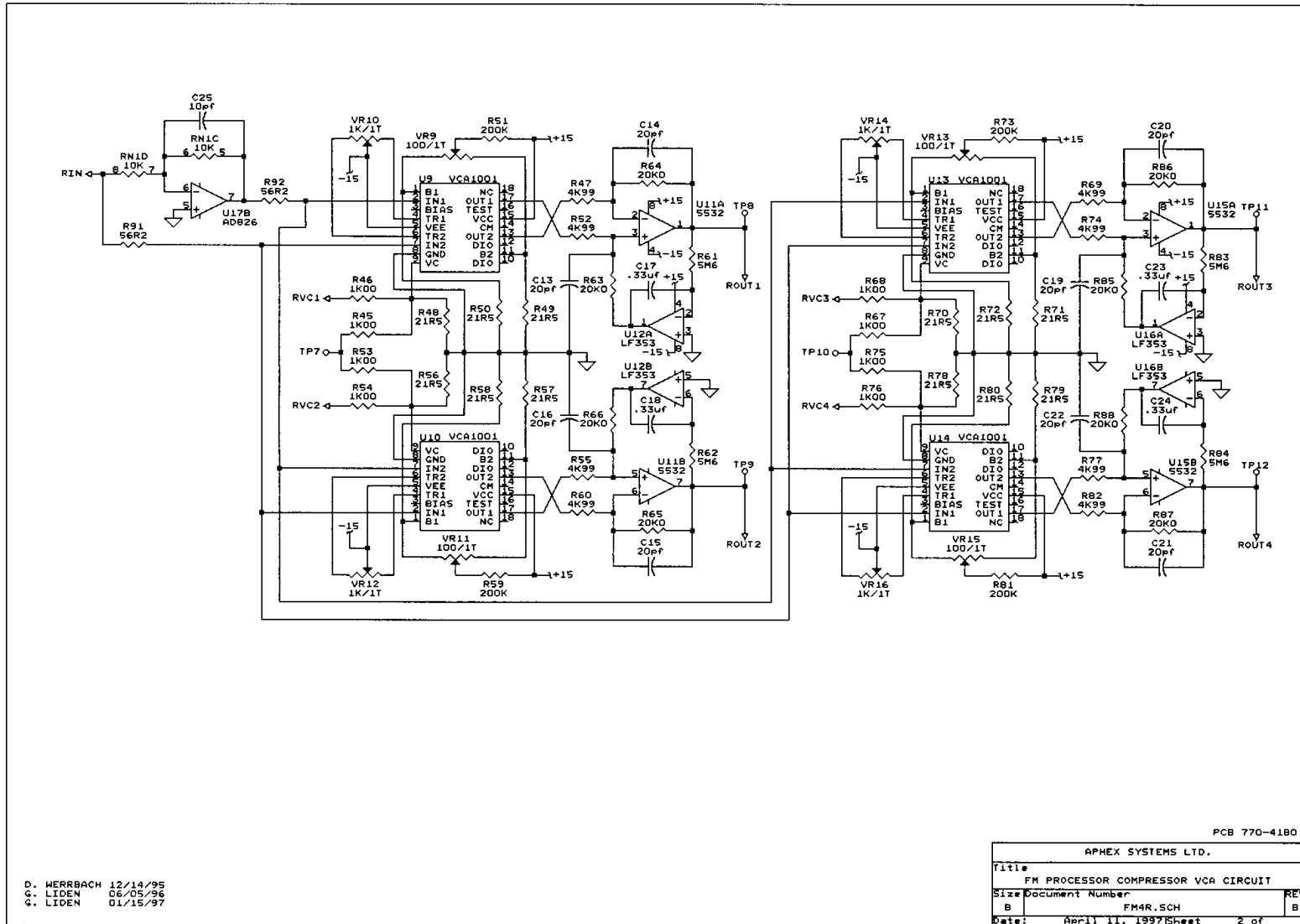


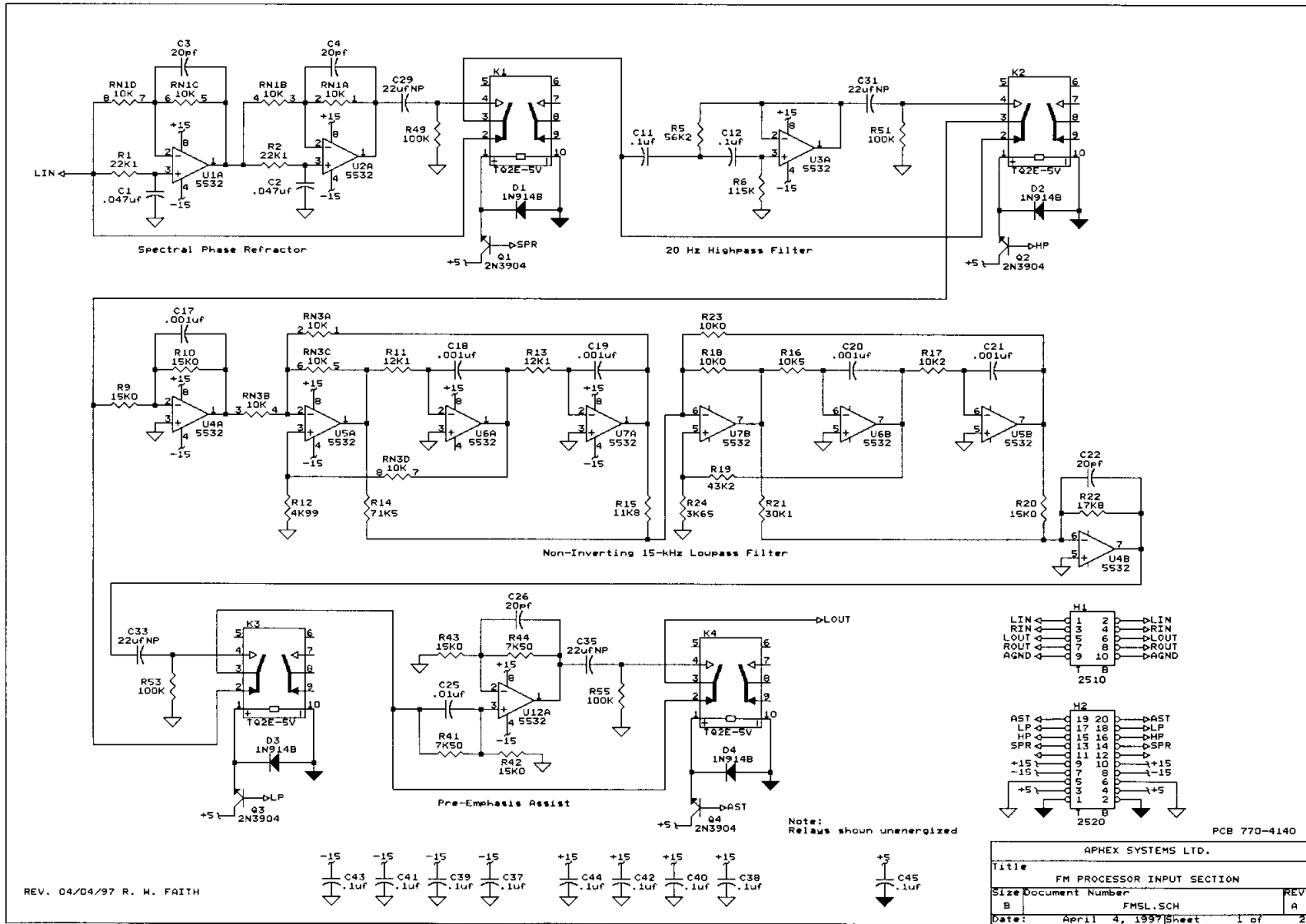
D. HERRBACH 12/18/95  
 REV. 01/04/96 DRW  
 R. FAITH 03/21/96 DRW  
 R. FAITH 11/04/96  
 R. FAITH 02/11/97  
 R. FAITH 03/26/97  
 R. FAITH 03/31/97  
 R. FAITH 05/29/97  
 R. FAITH 06/02/97  
 D. HERRBACH 07/24/97  
 R. FAITH 07/29/97  
 C. LIDEN 08/29/97



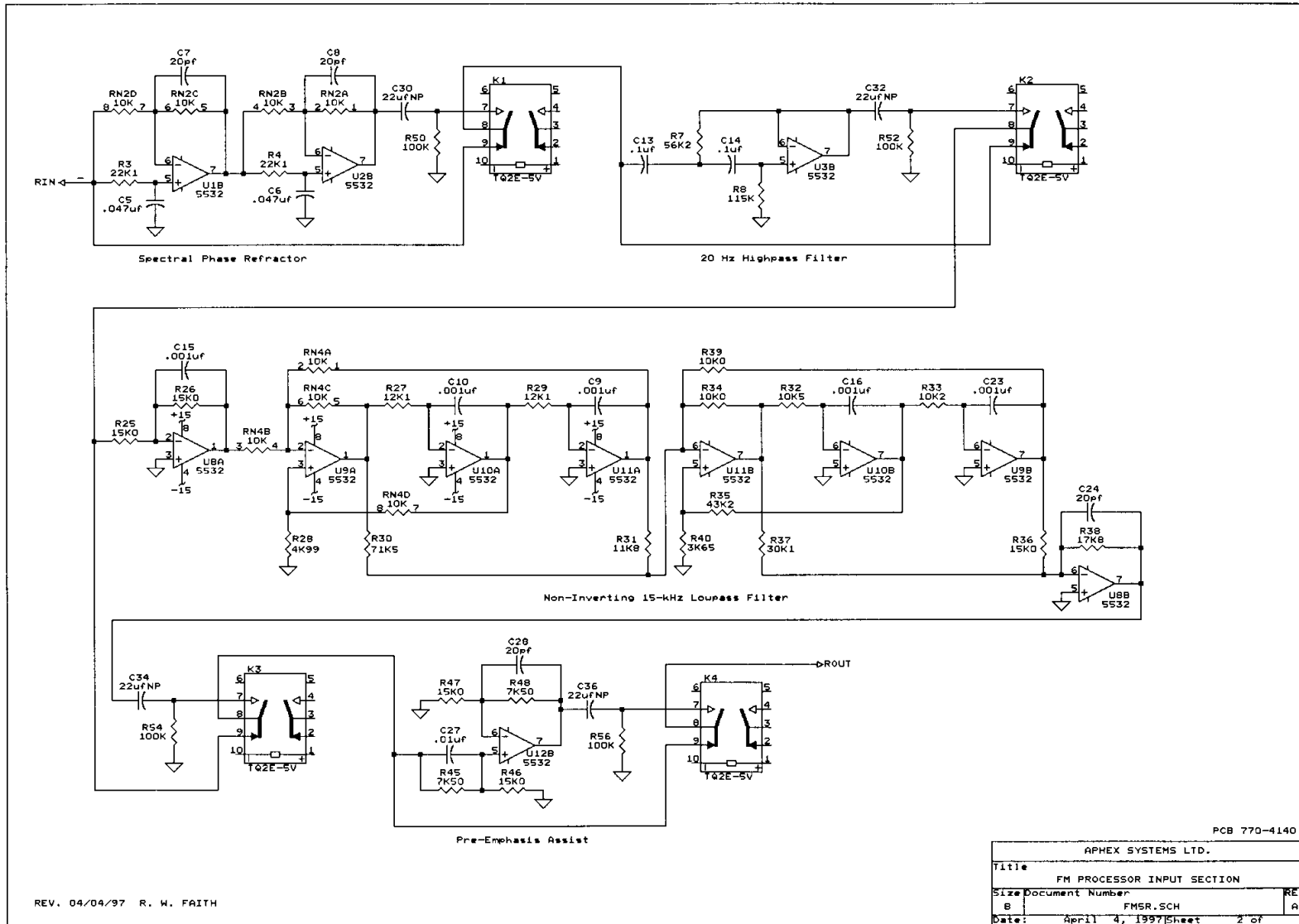


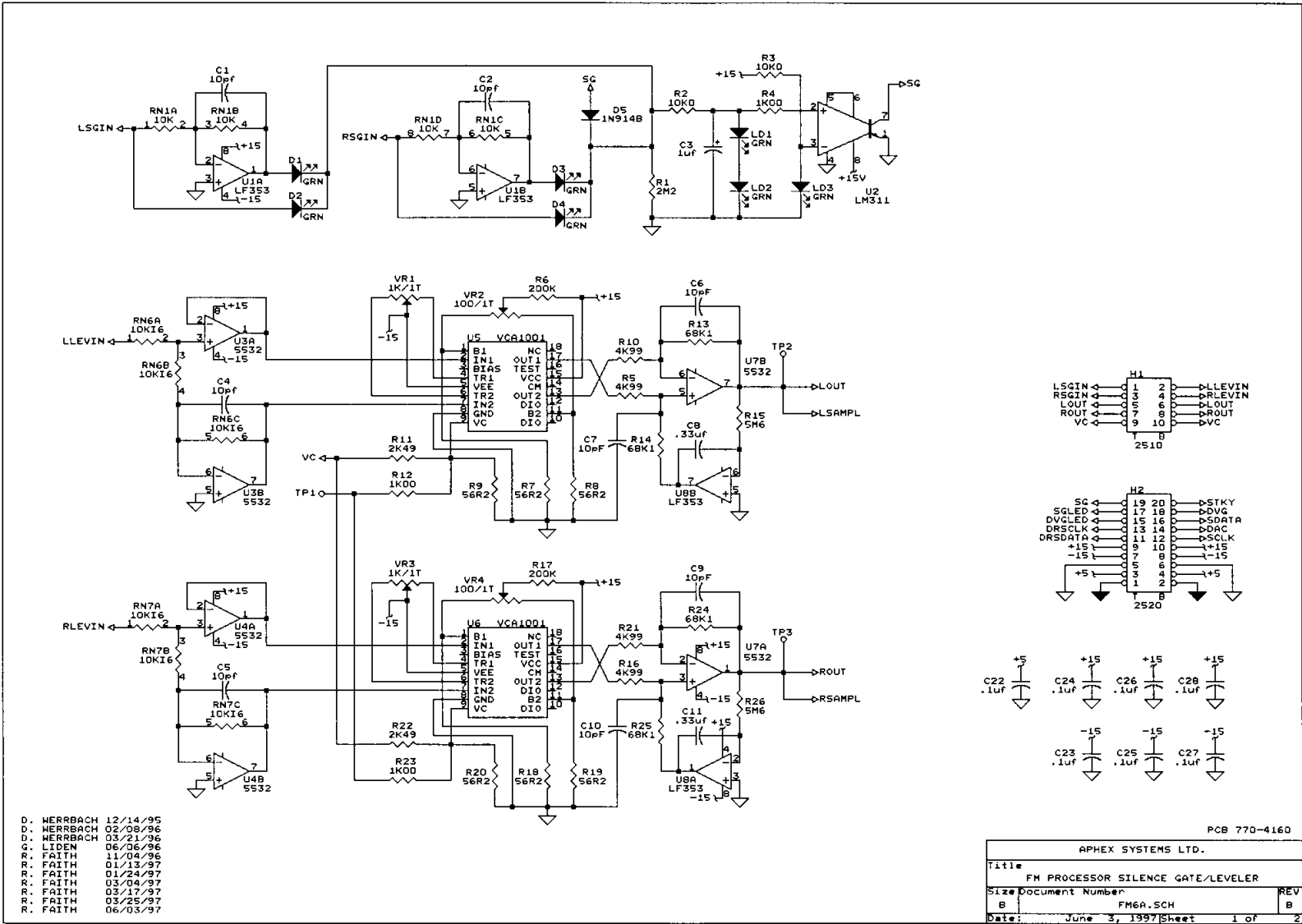
D. HERRBACH 12/14/95  
 C. LIDEN 06/05/96  
 C. LIDEN 01/15/97

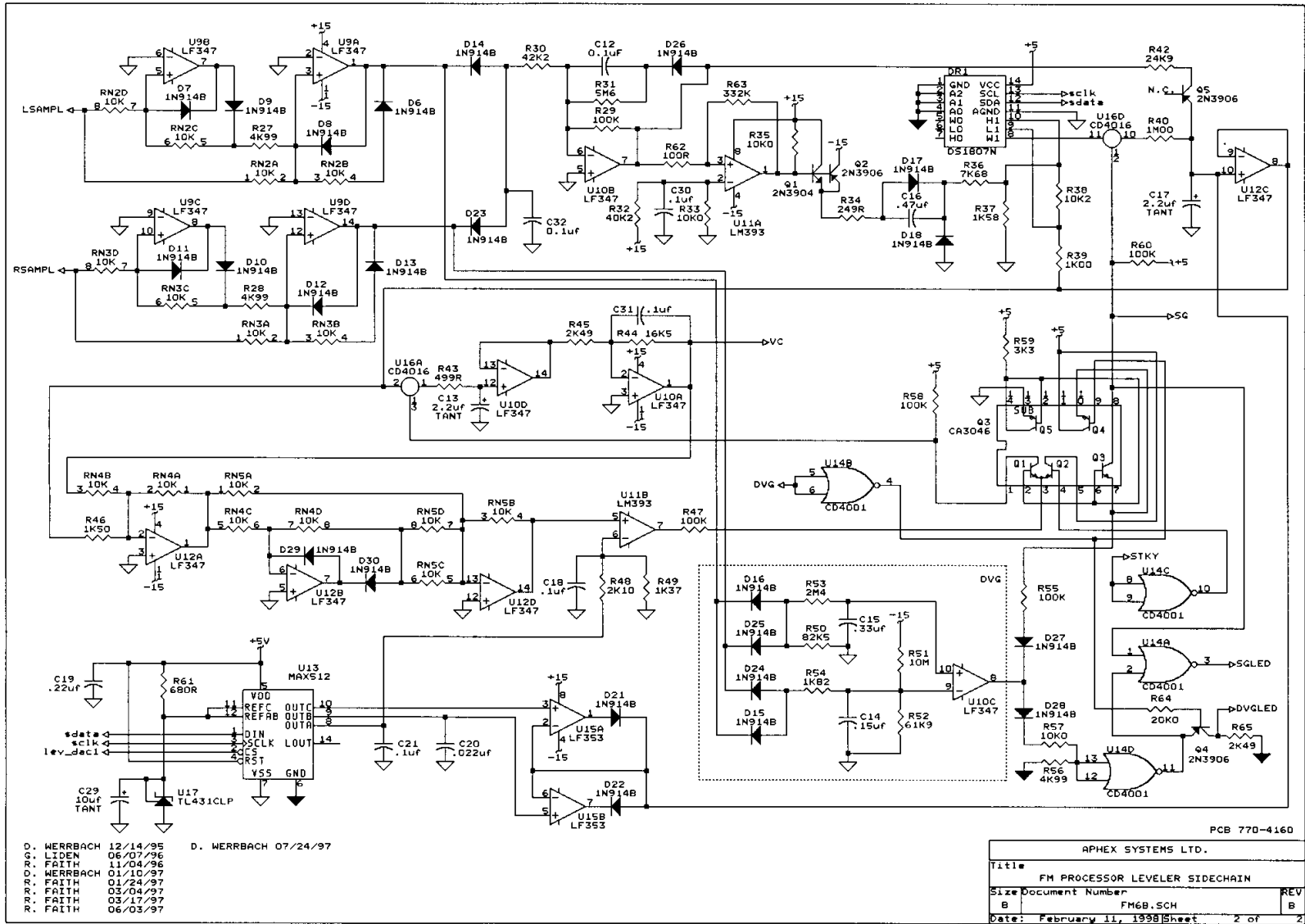


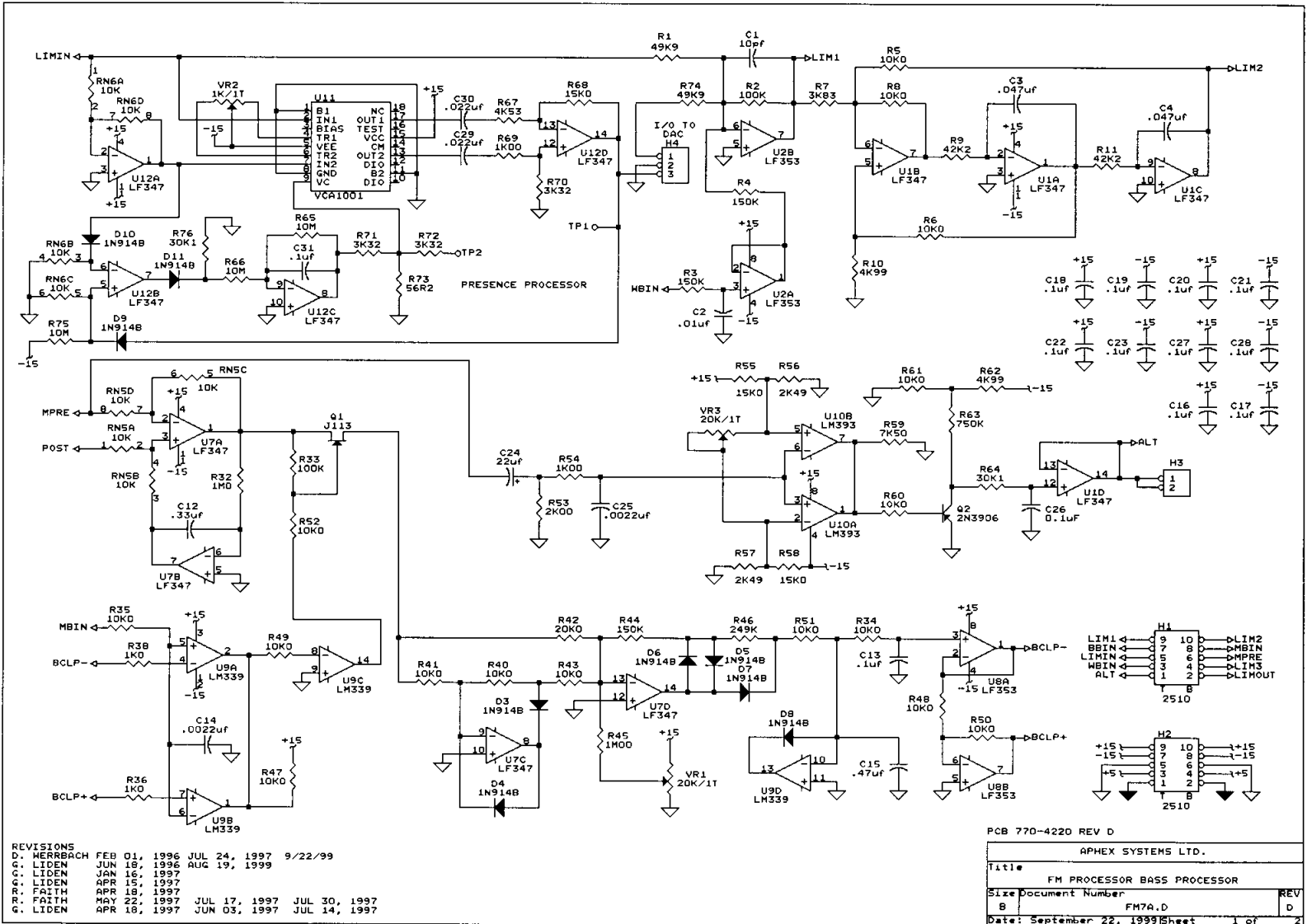


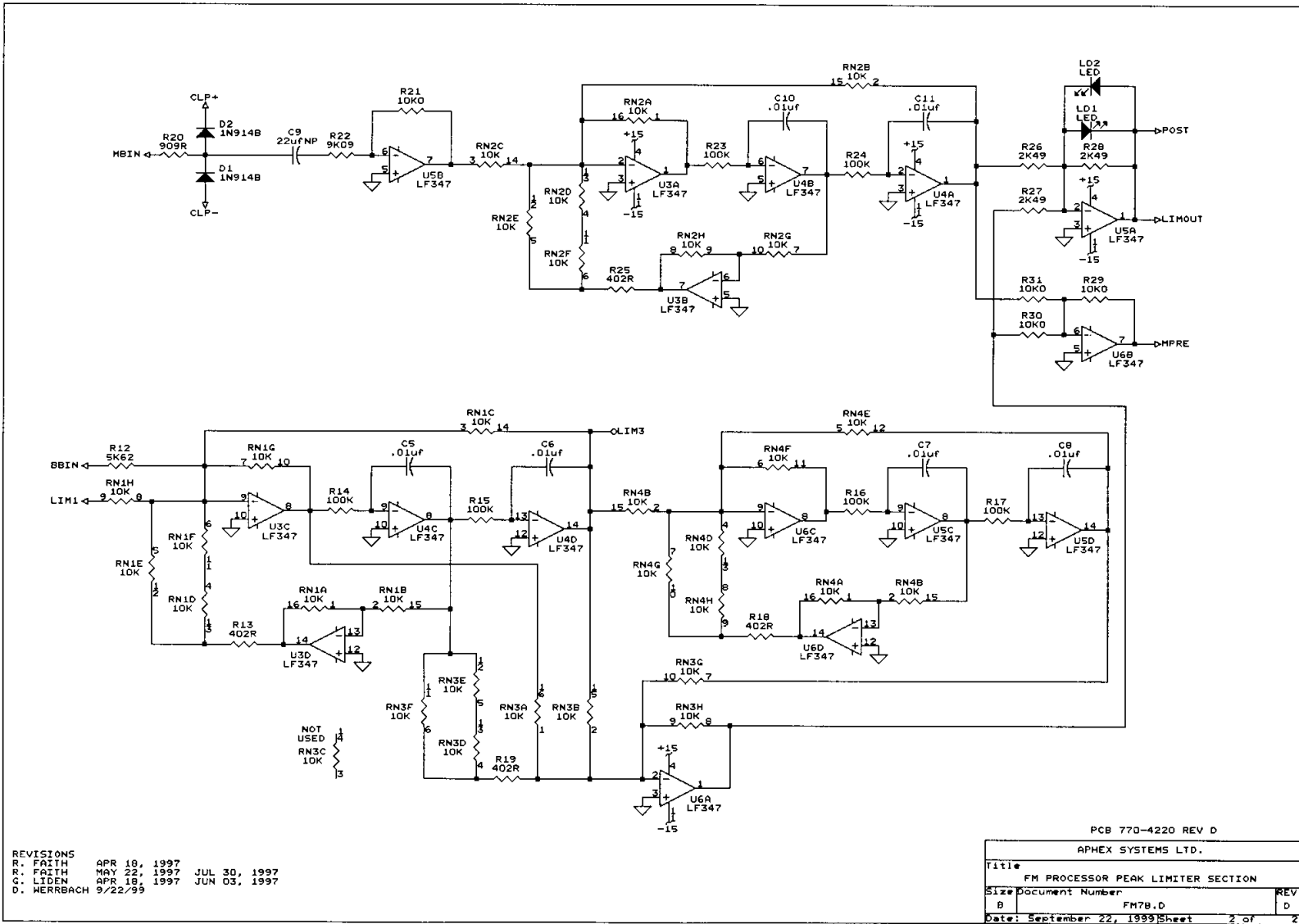


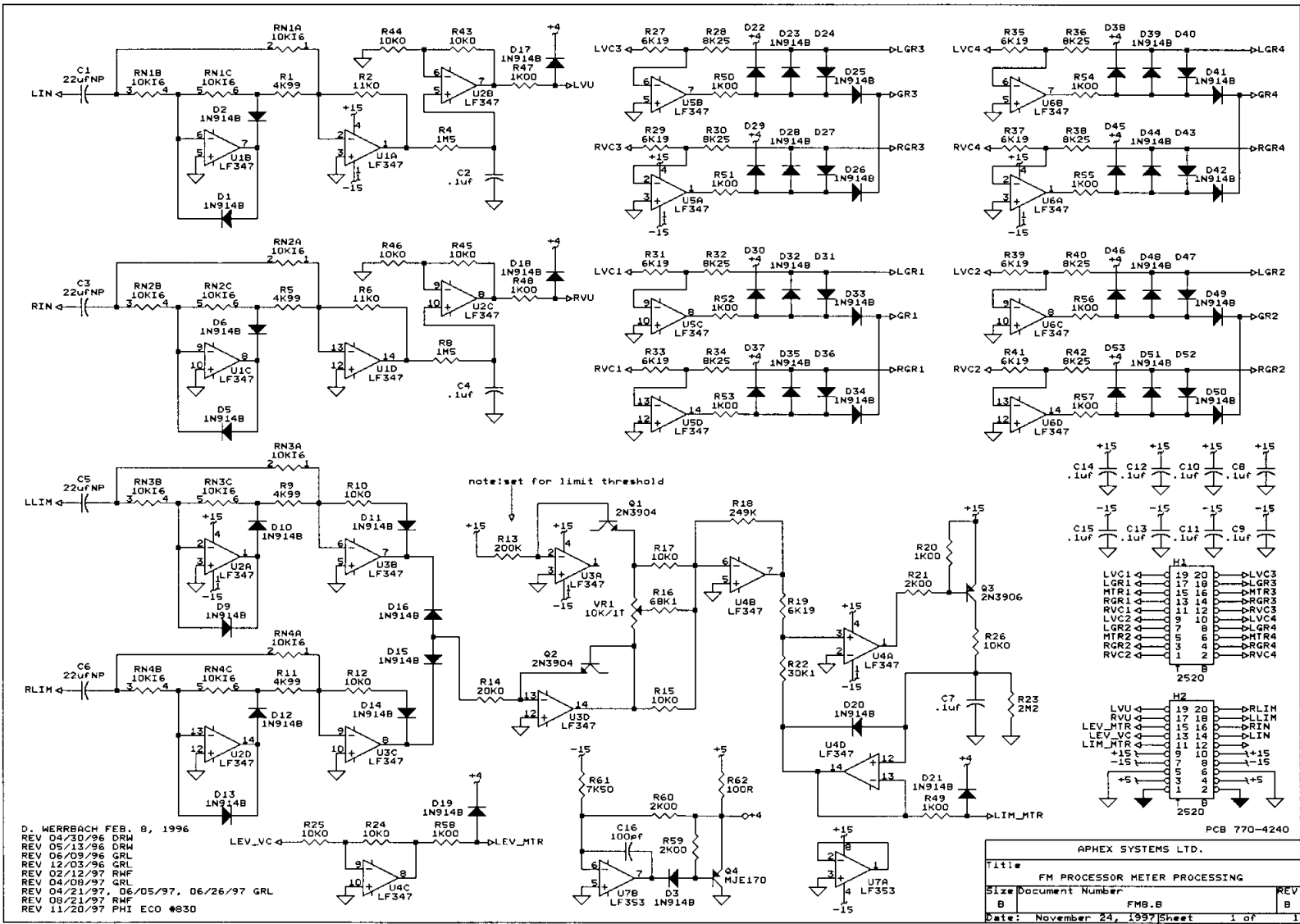


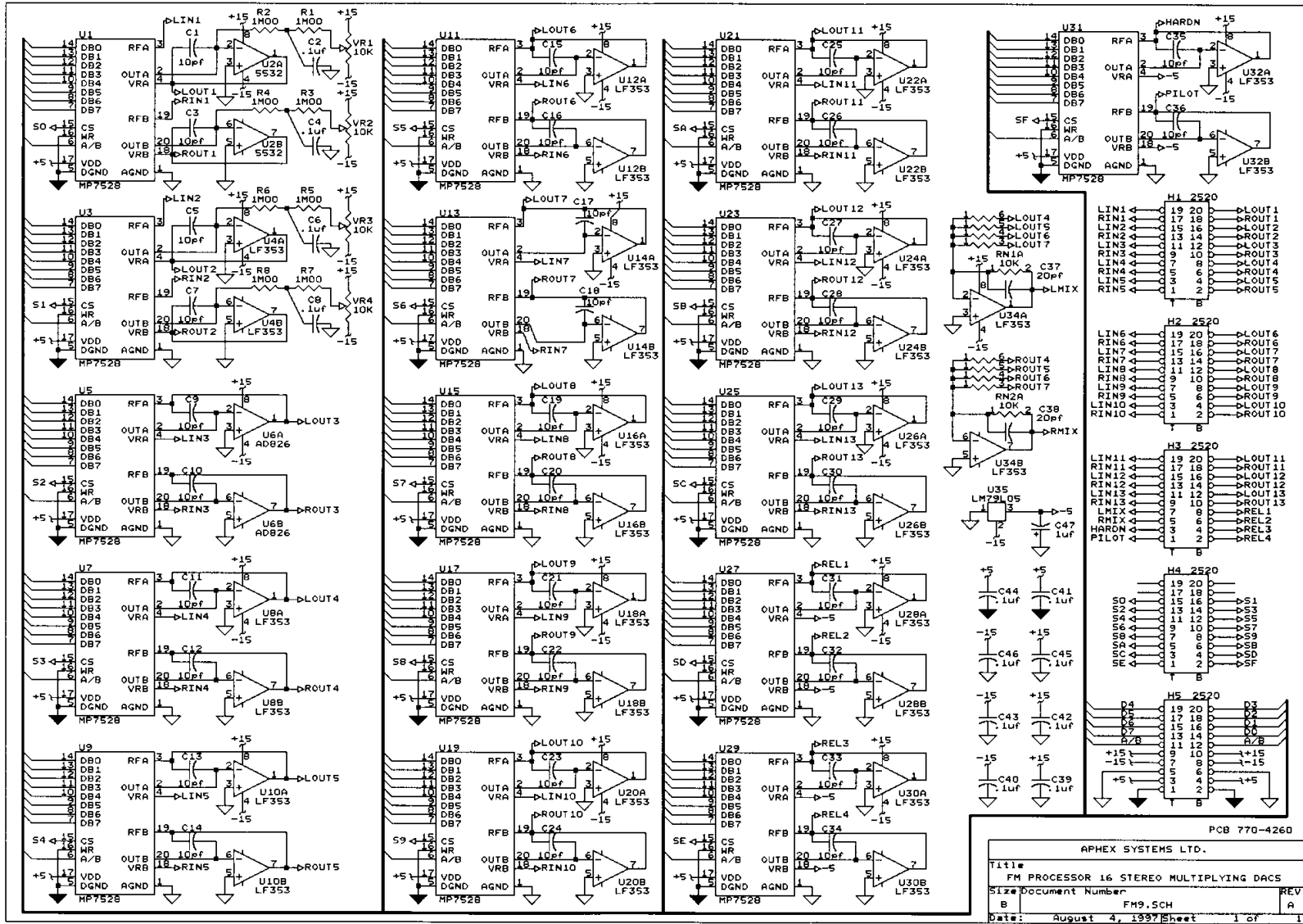




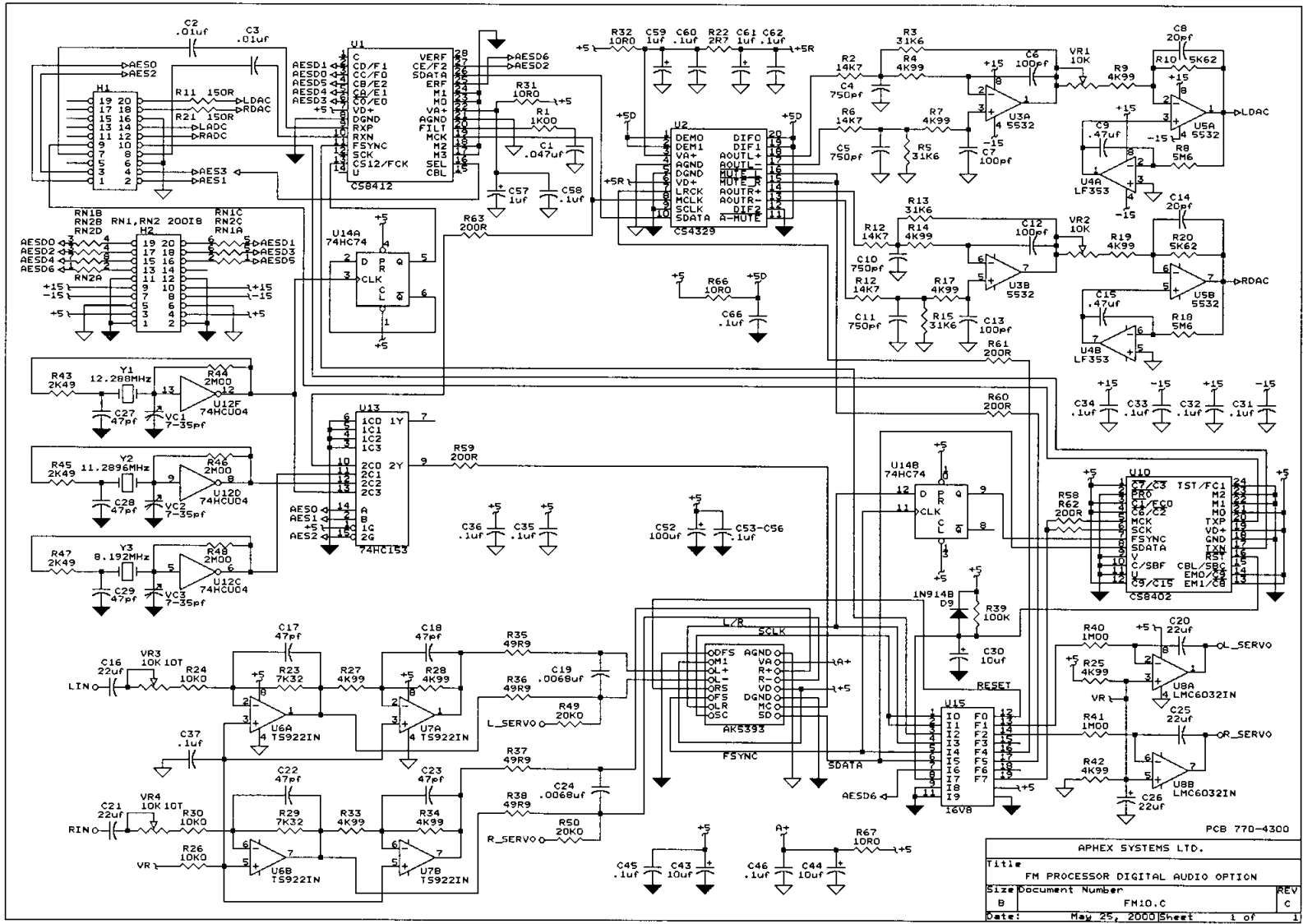




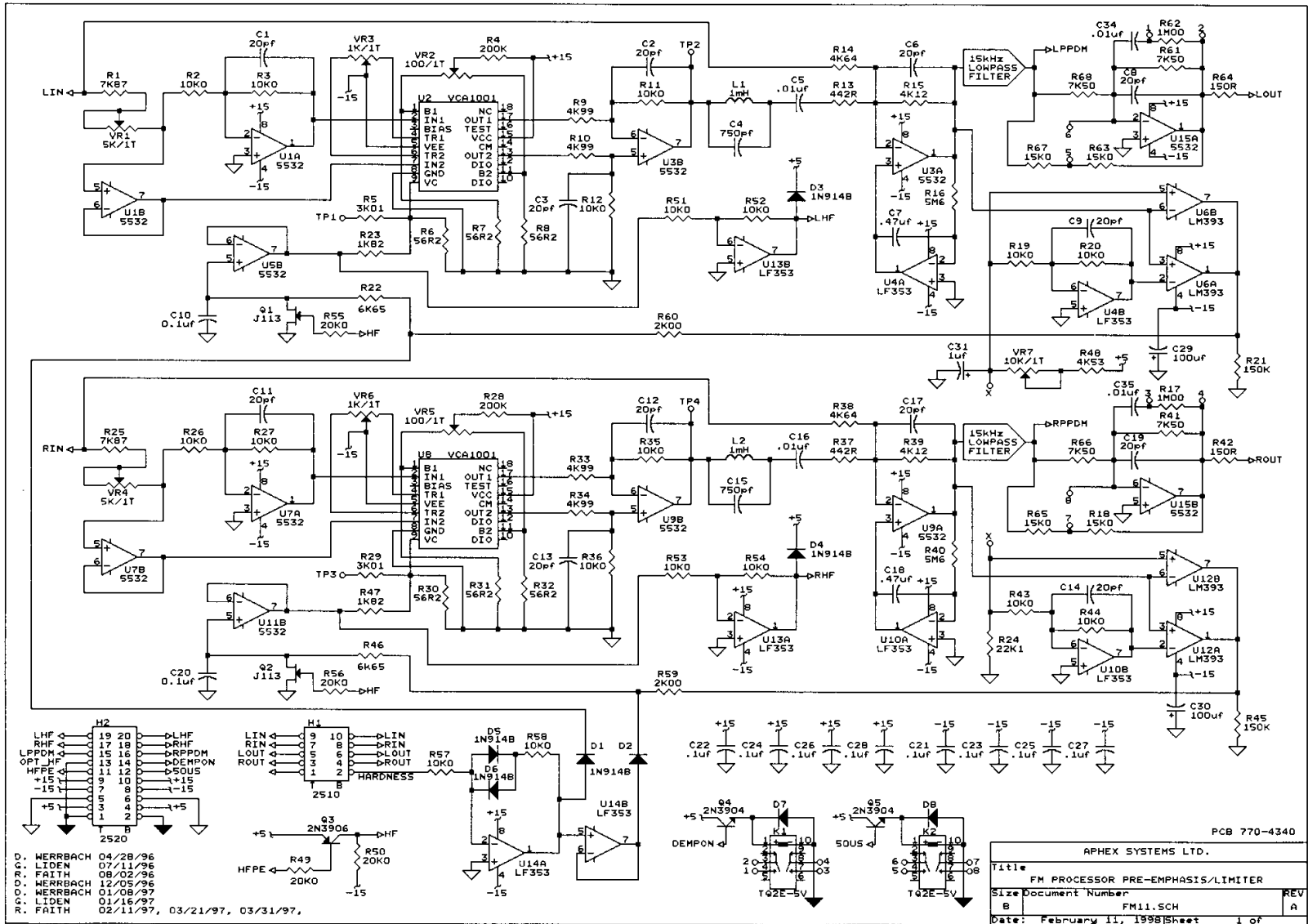




APHEX SYSTEMS LTD.	
Title	FM PROCESSOR 16 STEREO MULTIPLYING DACS
Size	Document Number
B	FM9.SCH
Date:	August 4, 1987
Sheet	1 of 1

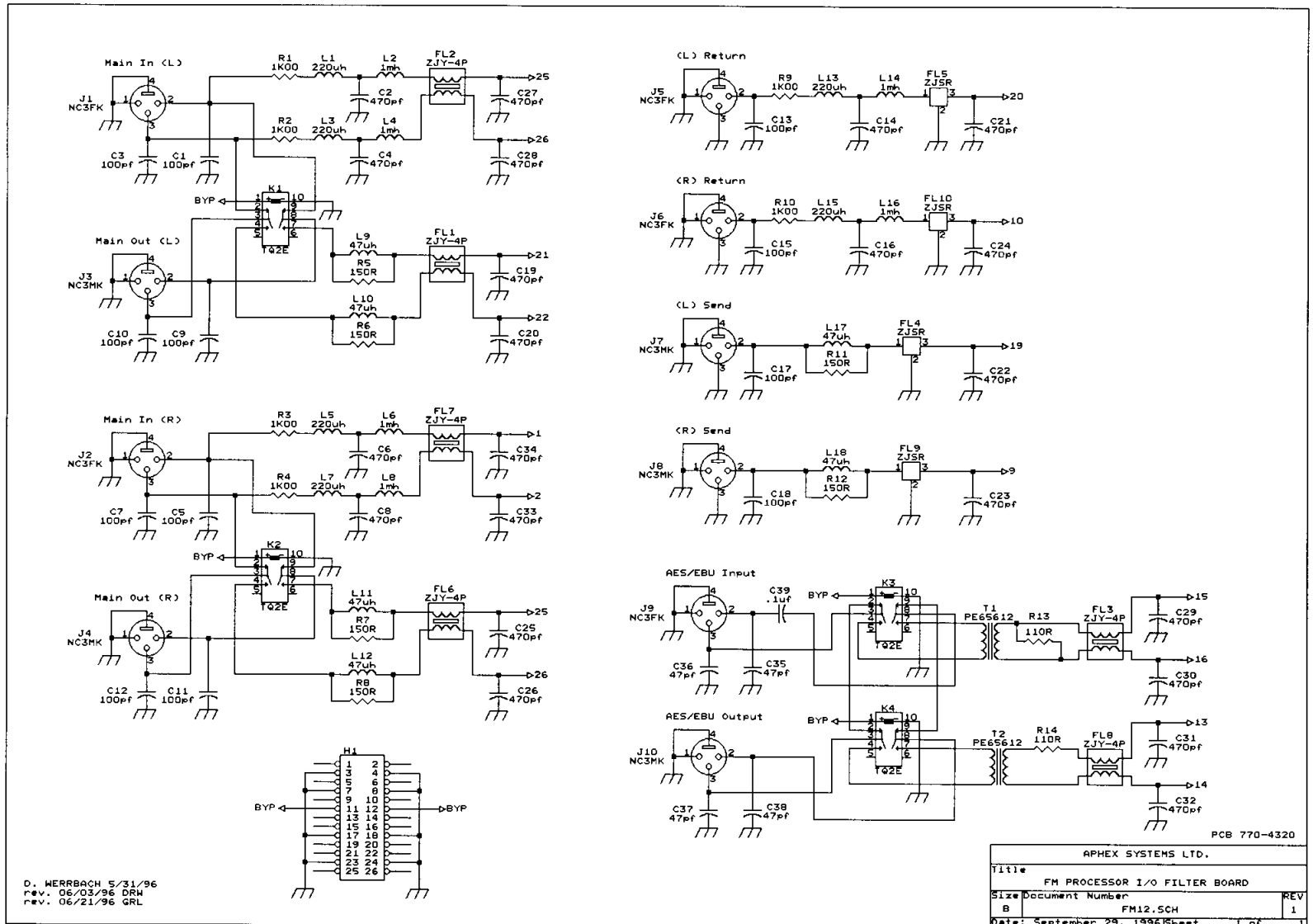


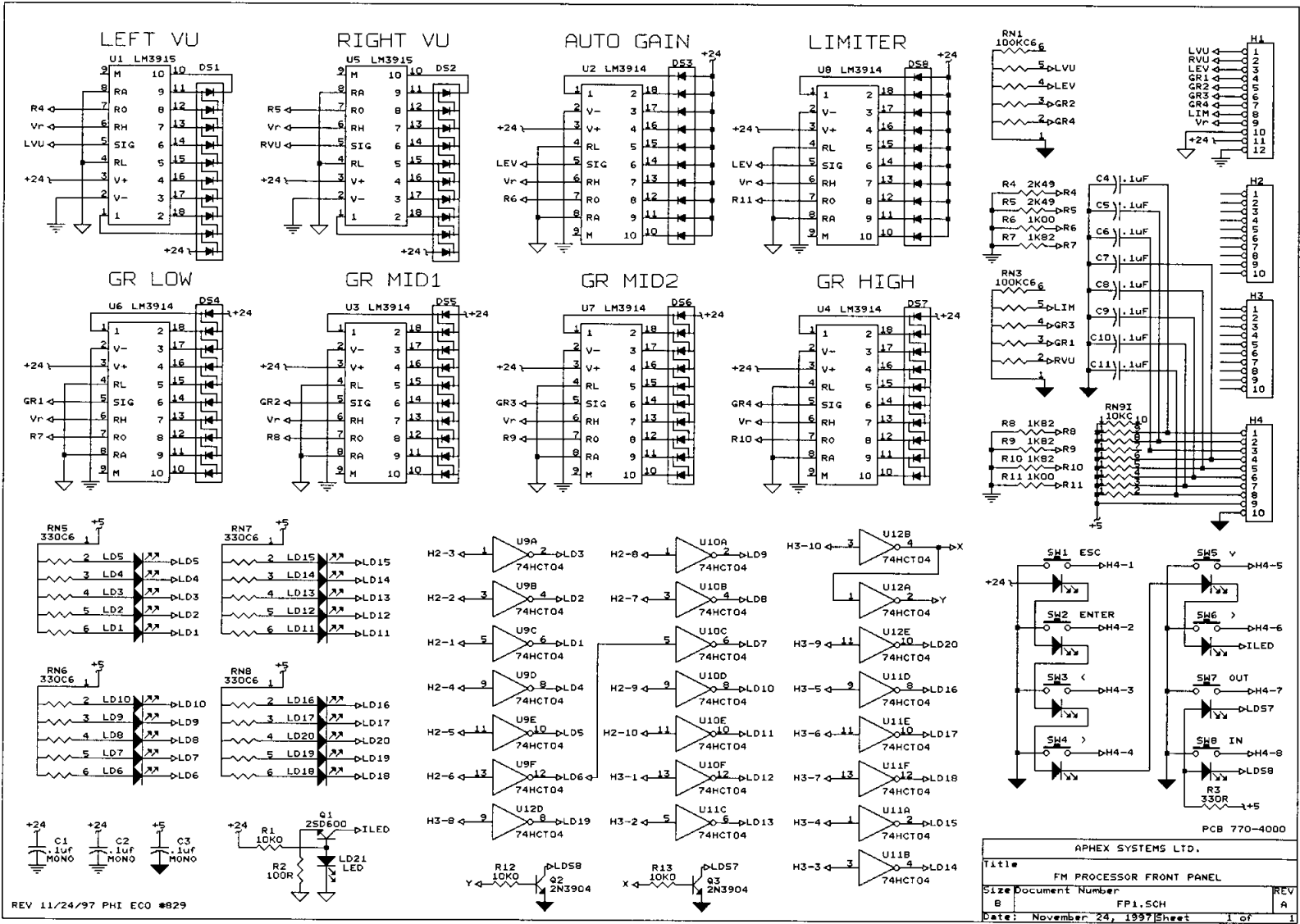




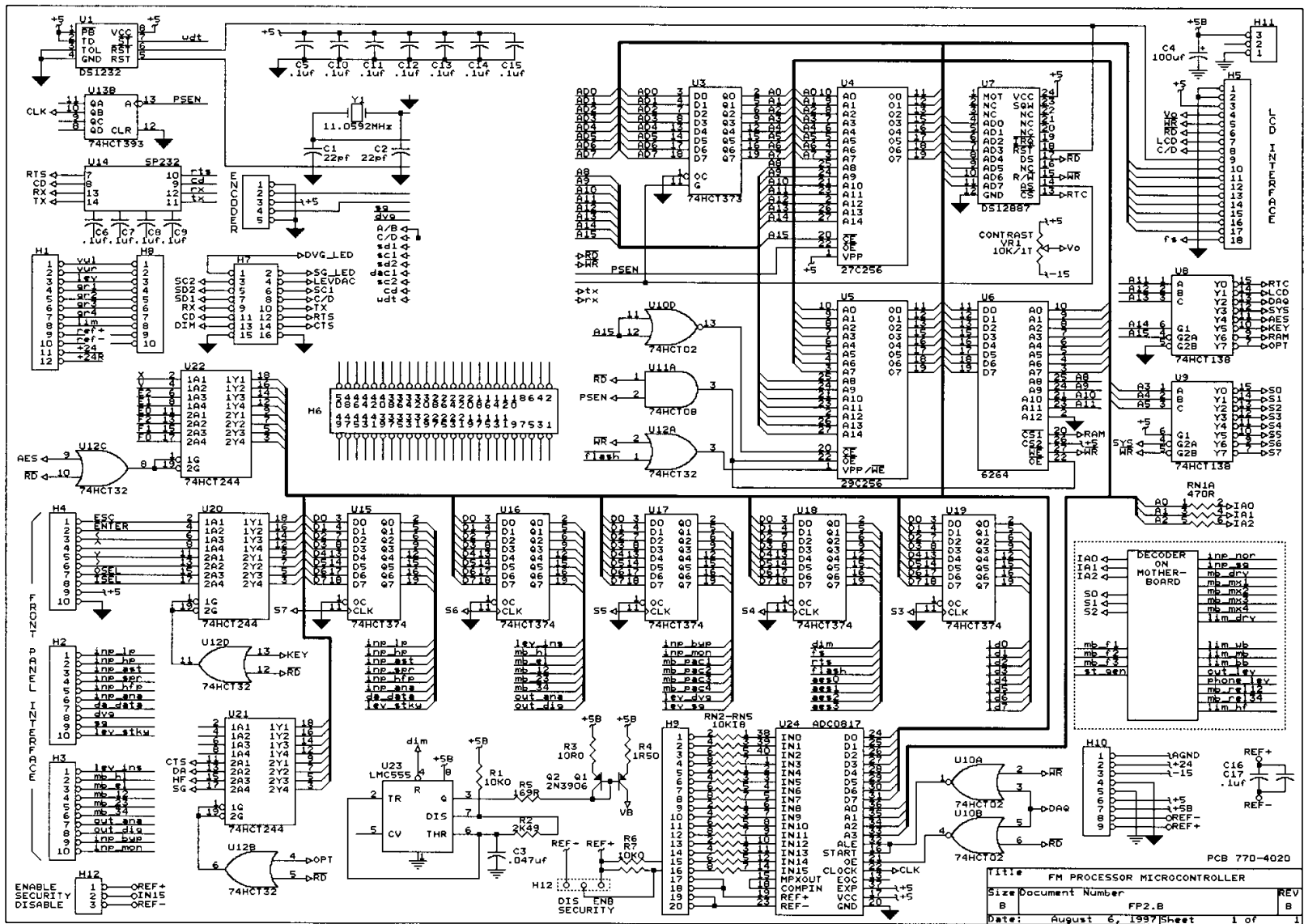
- D. HERRBACH 04/28/96
- C. LIDEN 07/11/96
- R. FAITH 08/02/96
- D. HERRBACH 12/05/96
- C. HERRBACH 01/08/97
- C. LIDEN 01/16/97
- R. FAITH 02/11/97, 03/21/97, 03/31/97,

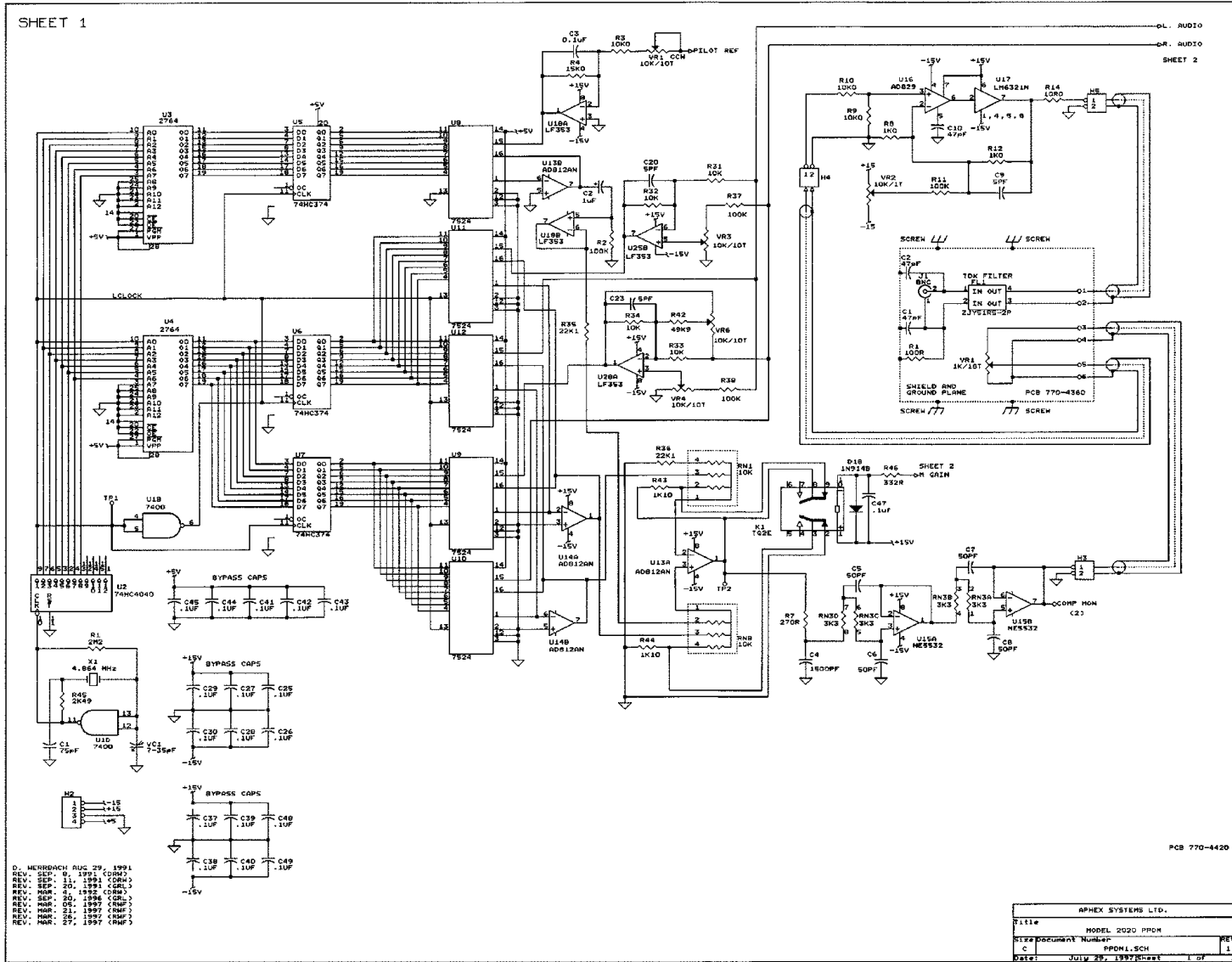
PCB 770-4340	
APHEX SYSTEMS LTD.	
Title	FM PROCESSOR PRE-EMPHASIS/LIMITER
Size	Document Number
B	FM11.SCH
Date:	February 11, 1998
Sheet	1 of
REV	A



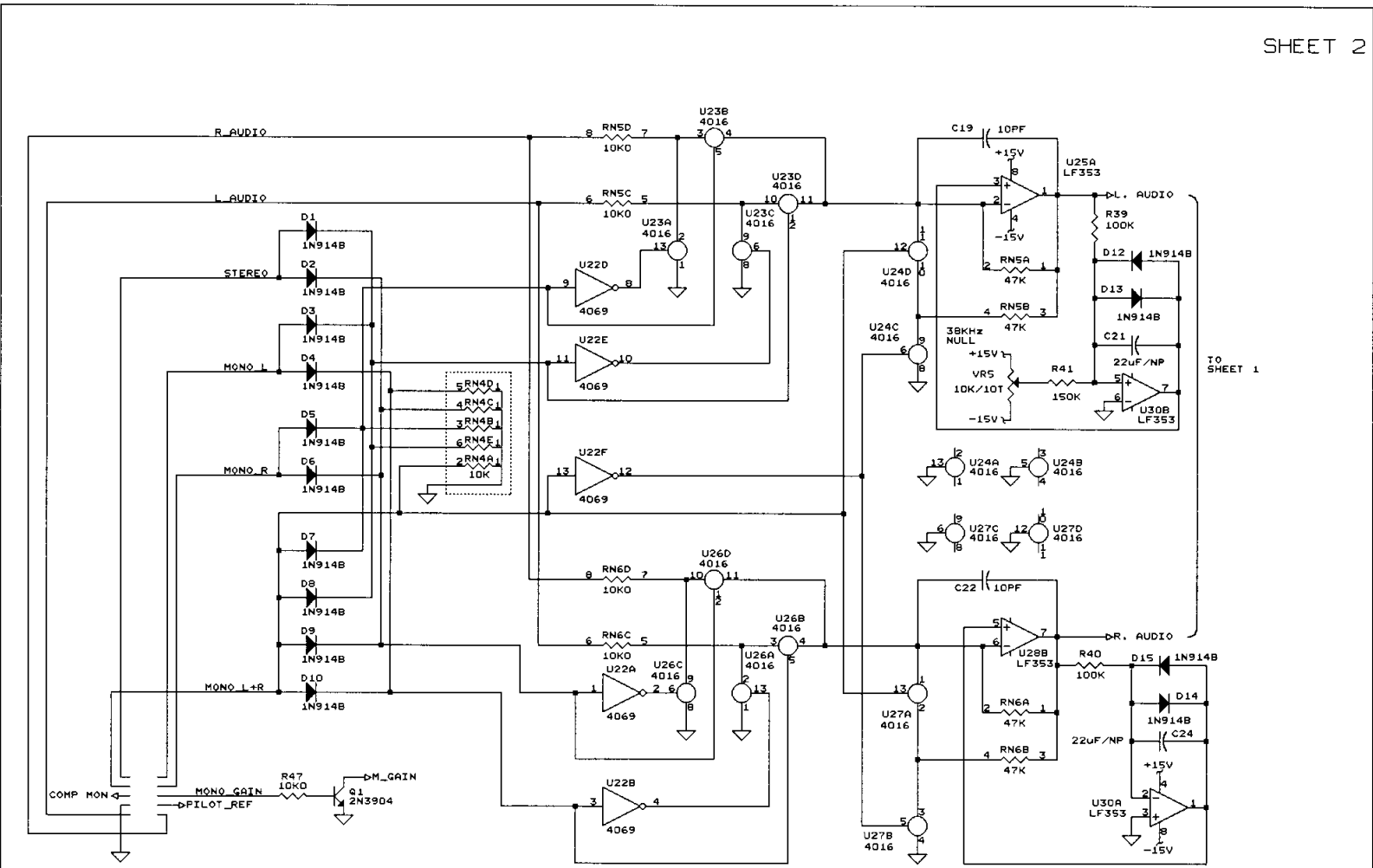


APEX SYSTEMS LTD.	
FM PROCESSOR FRONT PANEL	
Size Document Number	REV
B FPA.SCH	A
Date: November 24, 1997	Sheet 1 of 1





SHEET 2



D. WERRBACH SEP. 9, 1991  
 REV. SEP. 20, 1991 (QRL)  
 REV. MAR. 4, 1992 (DRM)  
 REV. SEP. 20, 1996 (QRL)  
 REV. MAR. 05, 1997 (RMF)  
 REV. MAR. 21, 1997 (RMF)  
 REV. MAR. 26, 1997 (RMF)  
 REV. MAR. 27, 1997 (RMF)

PCB 770-4420

APEX SYSTEMS LTD.	
MODEL 326 PPDM	
Size	Document Number
B	PPDM2.SCH
Date:	March 27, 1997 Sheet 2 of 2