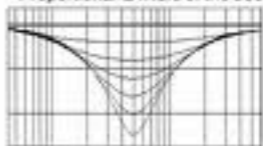


560

Boost and Cut of 12dB



Proportional Q filters of the 560b



Frequency Centers: 32Hz, 63Hz, 125Hz, 250Hz, 500Hz, 1KHz, 2KHz, 4KHz, 8KHz, 16KHz

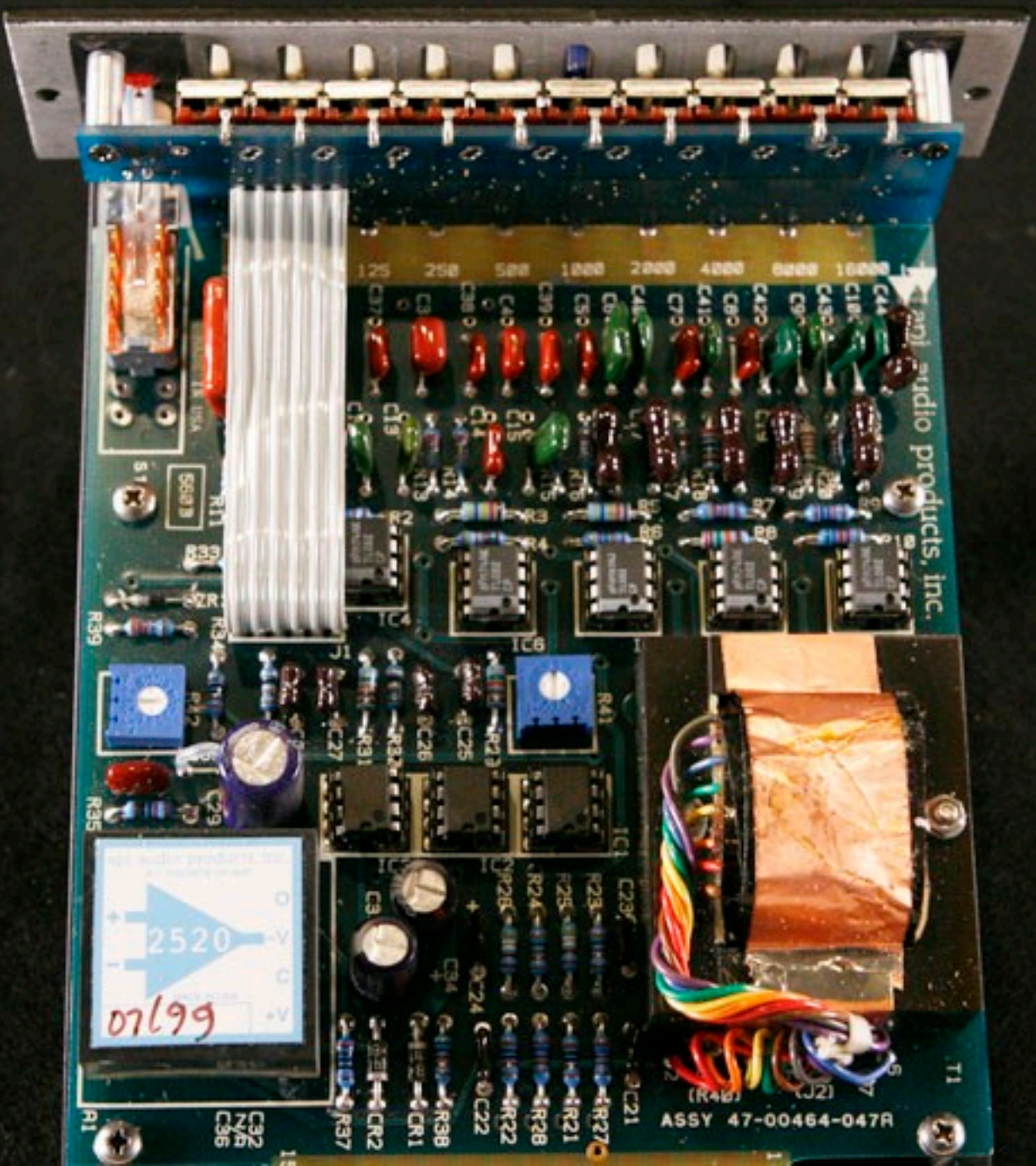
Center "Click" Detent for true "0" Boost/Cut Center Point

Silent IN/OUT Switch

IN

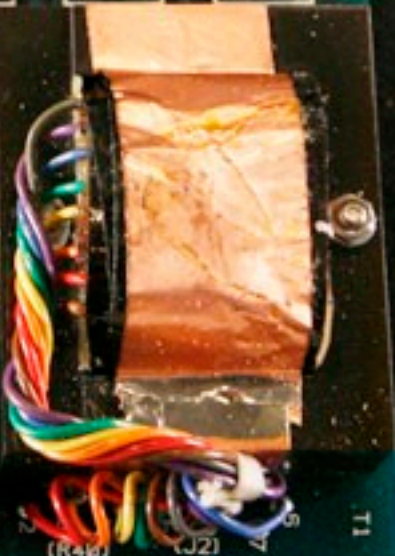
IN Led





audi products, inc.

2520
0769



ASSY 47-00464-047R

1000 2000 4000 8000 16000

250 500 1000 2000 4000 8000 16000

1000 2000 4000 8000 16000

250 500 1000 2000 4000 8000 16000

1000 2000 4000 8000 16000

250 500 1000 2000 4000 8000 16000

1000 2000 4000 8000 16000

250 500 1000 2000 4000 8000 16000

1000 2000 4000 8000 16000

250 500 1000 2000 4000 8000 16000

1000 2000 4000 8000 16000

250 500 1000 2000 4000 8000 16000

1000 2000 4000 8000 16000

250 500 1000 2000 4000 8000 16000

1000 2000 4000 8000 16000

250 500 1000 2000 4000 8000 16000

1000 2000 4000 8000 16000

250 500 1000 2000 4000 8000 16000

1000 2000 4000 8000 16000

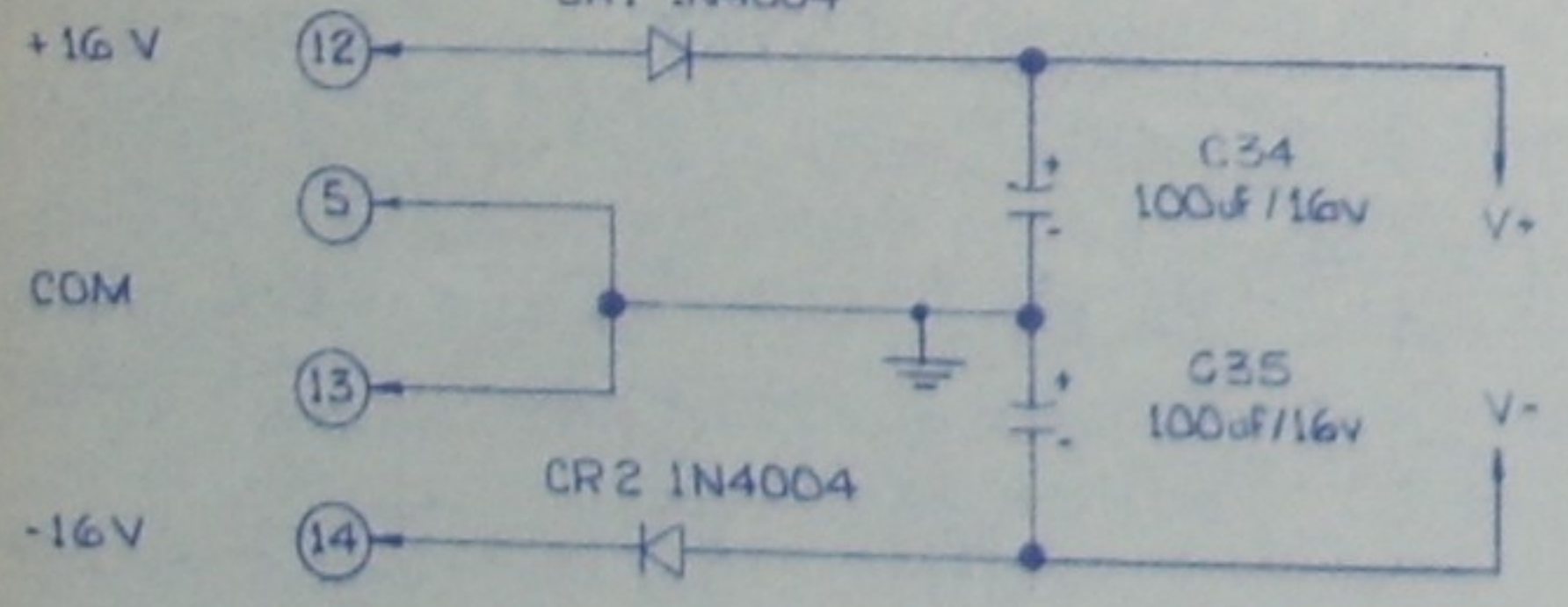
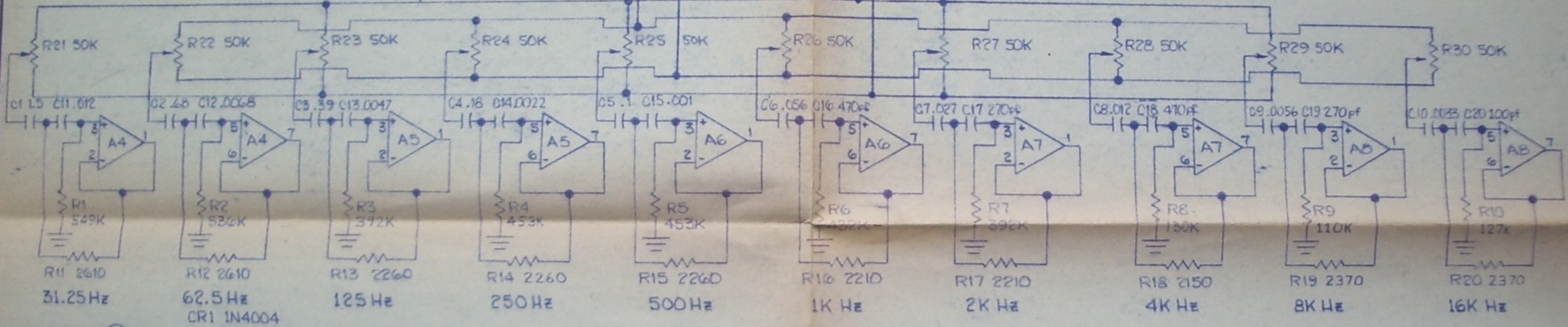
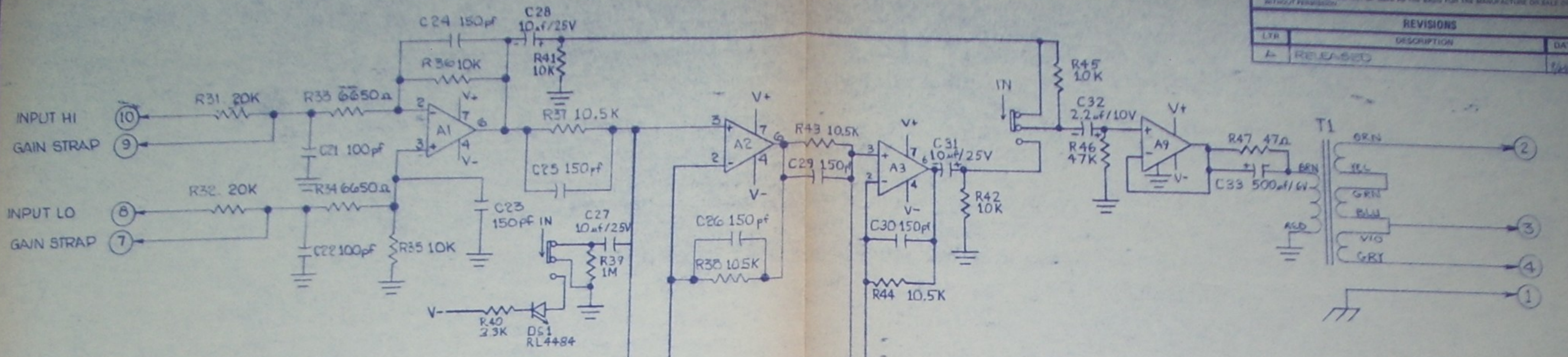
250 500 1000 2000 4000 8000 16000

1000 2000 4000 8000 16000

250 500 1000 2000 4000 8000 16000

EXCEPT AS MAY BE OTHERWISE PROVIDED BY CONTRACT THESE DRAWINGS AND SPECIFICATIONS ARE THE PROPERTY OF AUTOMATED PROCESSES, INC. AND SHALL BE KEPT IN STRICT CONFIDENCE AND SHALL NOT BE REPRODUCED OR COPIED OR USED AS THE BASIS FOR THE MANUFACTURE OR SALE OF APPARATUS WITHOUT PERMISSION.

REVISIONS			
LTR	DESCRIPTION	DATE	APPRO
A	RELEASED		



NOTES:
 A1-A3 LF356
 A9 2520
 A4-A8 RC4558
 LAST DESIGNATIONS;
 C35
 CR2
 R47
 A9
 T1

TOLERANCES UNLESS OTHERWISE NOTED	DRAWN TAYLOR DATE 4-29-76	AUTOMATED PROCESSES, INC. 80 MARCUS DRIVE, MELVILLE, N.Y. 11746
FRACTIONS ± -	CHECK AD DATE 9-23-76	
XX = ± -	APPROV [Signature] DATE 9-23-76	TITLE
XXX = ± -	MATERIAL	SCHEMATIC
ANGLES = ± -	FINISH	MODEL 560 EQUALIZER
SEE SEPARATE PARTS LIST	SCALE	SIZE C
560 EQ.		DWG NO. 1008-200
REV		REV A
QUANTITY REQ'D		SHEET 1 of 1