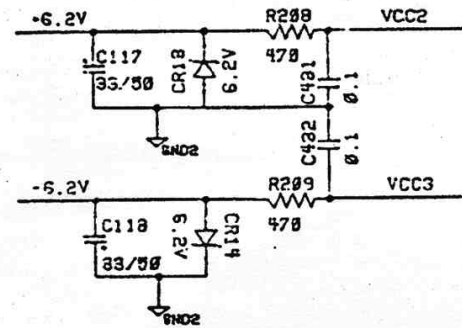
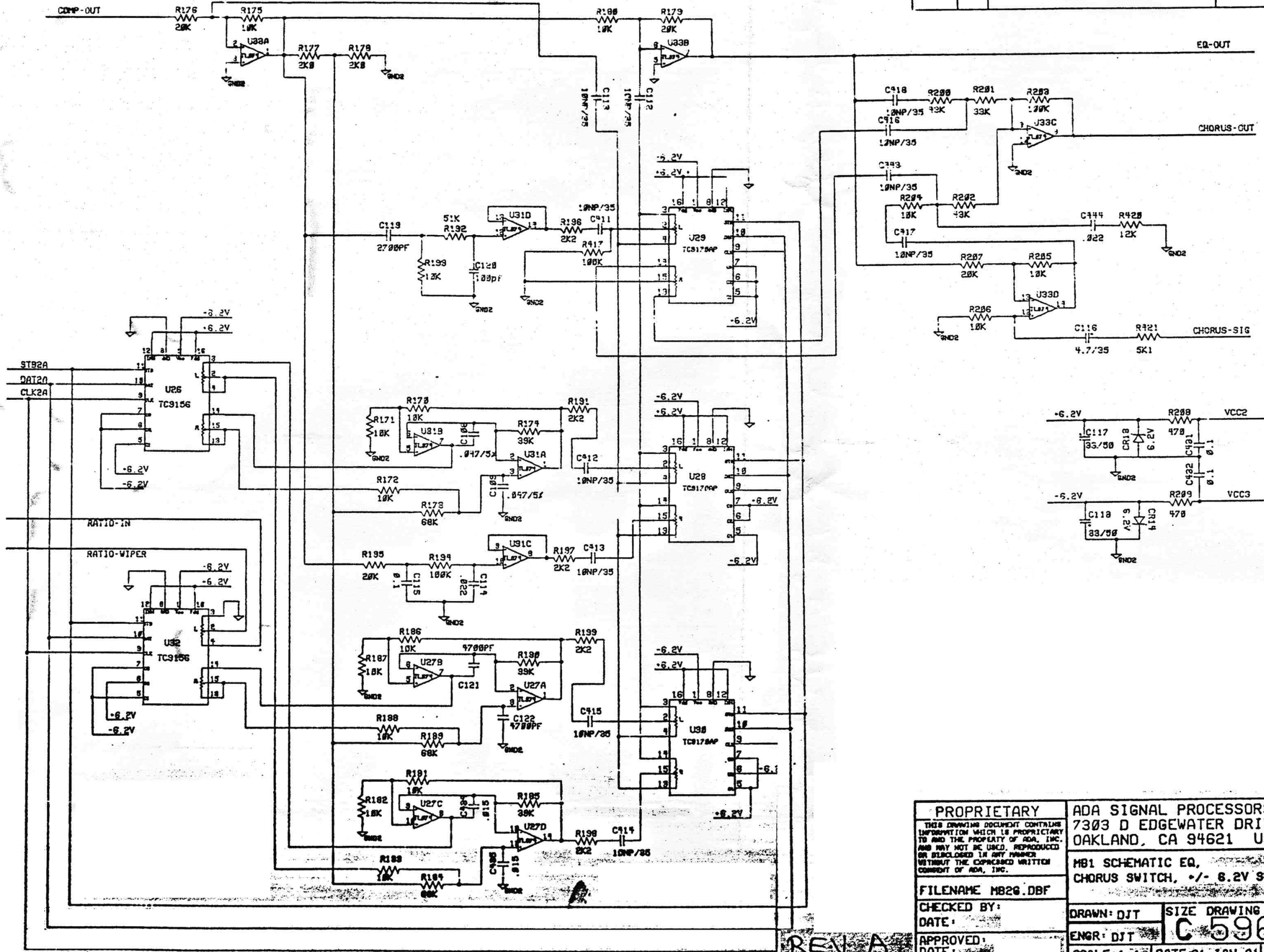


REVISIONS				
ZONE	REV.	DESCRIPTION	DATE	APPROVED



PROPRIETARY		ADA SIGNAL PROCESSORS, INC. 7303 D EDGEWATER DRIVE OAKLAND, CA 94621 USA		
THIS DRAWING DOCUMENT CONTAINS INFORMATION WHICH IS PROPRIETARY TO ADA AND THE PROPERTY OF ADA, INC. AND MAY NOT BE USED, REPRODUCED OR DISCLOSED IN ANY MANNER WITHOUT THE EXPRESSED WRITTEN CONSENT OF ADA, INC.		MB1 SCHEMATIC EQ, CHORUS SWITCH, +/- 6.2V SUPPLIES		
FILENAME MB26.DBF		DRAWN: DJT	SIZE	DRAWING NUMBER
CHECKED BY:	DATE:	ENGR: DJT	C 596	REV. M
APPROVED:	DATE:	SCALE: 1:1	DATE: 31-JAN-91	SHEET 6 OF 7

REV A