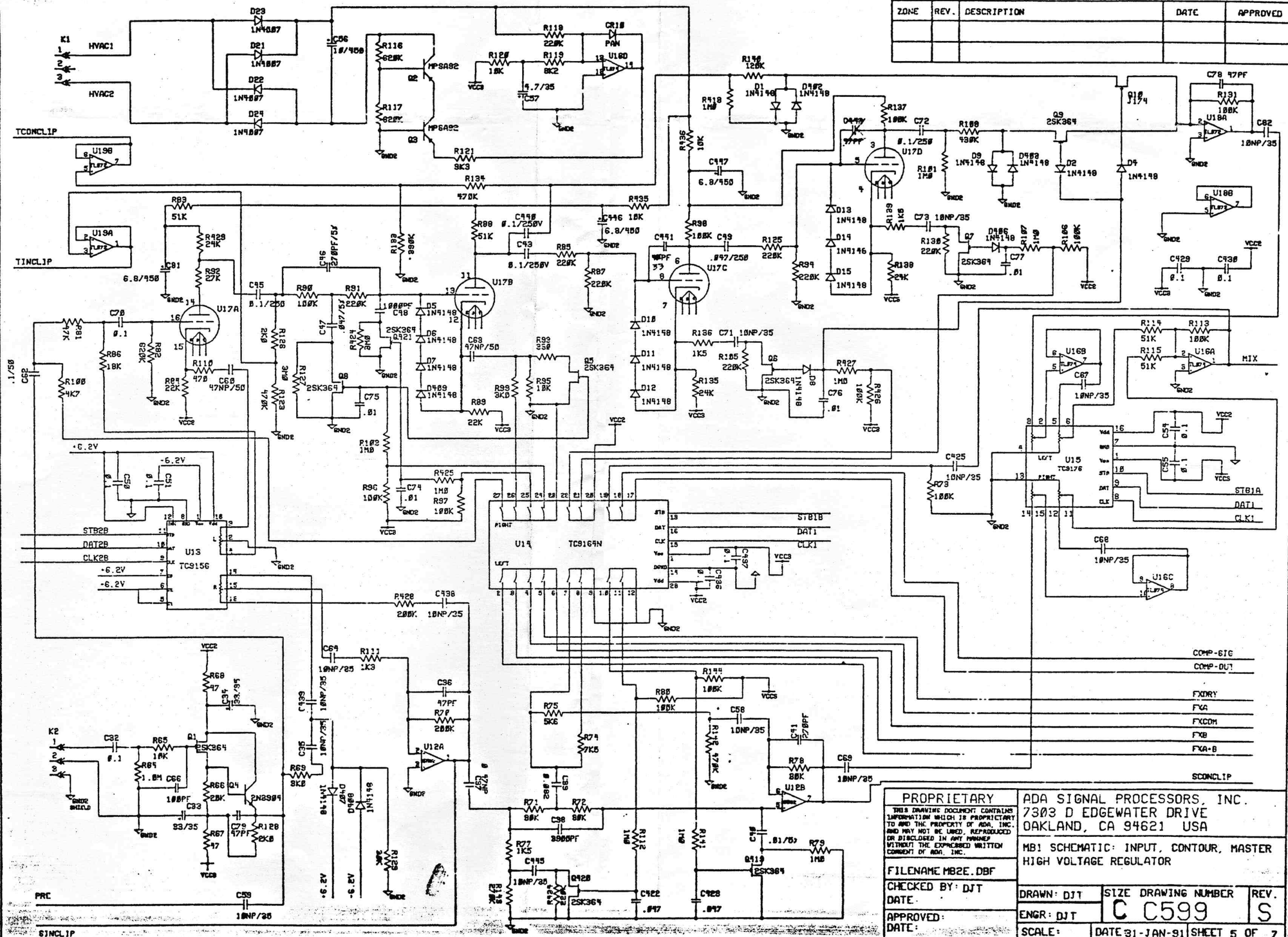


REVISIONS

ZONE	REV.	DESCRIPTION	DATE	APPROVED



PROPRIETARY
 THIS DRAWING DOCUMENT CONTAINS INFORMATION WHICH IS PROPRIETARY TO AND THE PROPERTY OF ADA, INC. AND MAY NOT BE USED, REPRODUCED OR DISCLOSED IN ANY MANNER WITHOUT THE EXPRESSED WRITTEN CONSENT OF ADA, INC.

FILENAME MB2E.DBF

CHECKED BY: DJT
 DATE: _____

APPROVED: _____
 DATE: _____

ADA SIGNAL PROCESSORS, INC.
 7303 D EDGEWATER DRIVE
 OAKLAND, CA 94621 USA

MB1 SCHEMATIC: INPUT, CONTOUR, MASTER HIGH VOLTAGE REGULATOR

DRAWN: DJT	SIZE DRAWING NUMBER	REV.
ENGR: DJT	C C599	S
SCALE:	DATE: 31-JAN-91	SHEET 5 OF 7