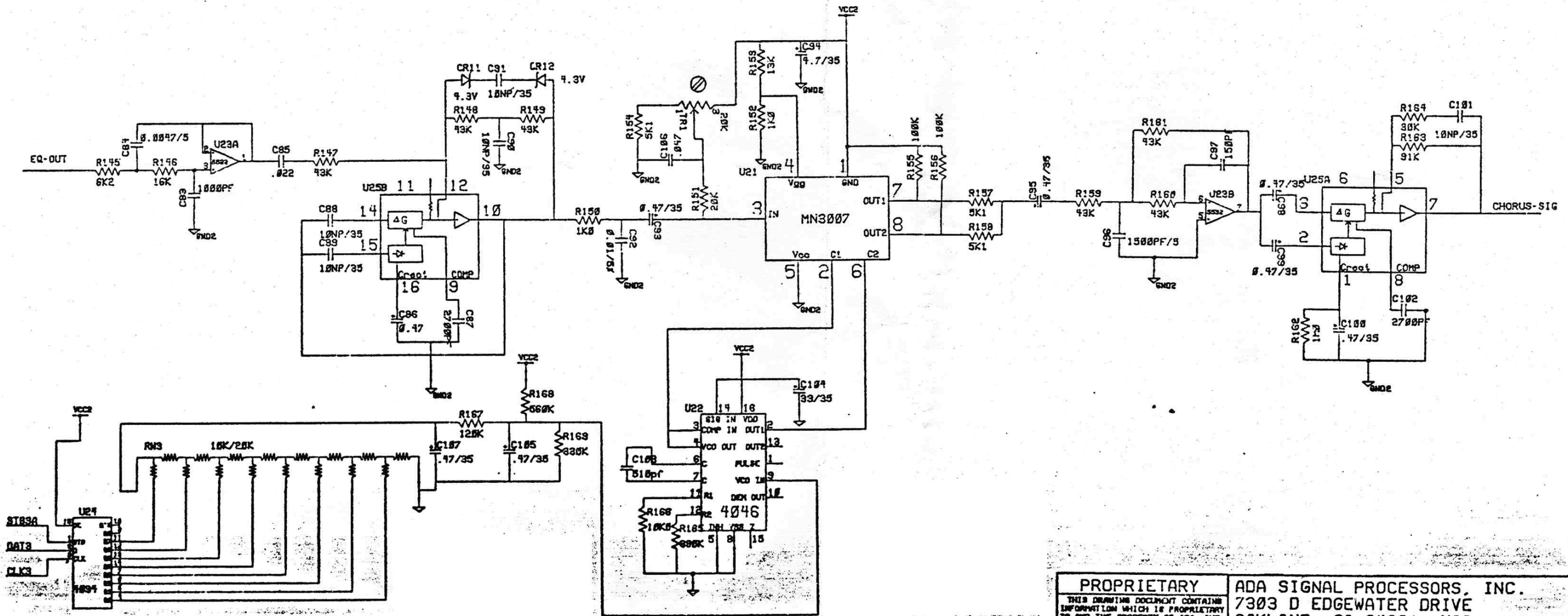


REVISIONS				
ZONE	REV.	DESCRIPTION	DATE	APPROVED



<b>PROPRIETARY</b> <small>THIS DRAWING DOCUMENT CONTAINS INFORMATION WHICH IS PROPRIETARY TO AND THE PROPERTY OF ADA, INC. AND MAY NOT BE USED, REPRODUCED OR DISCLOSED IN ANY MANNER WITHOUT THE EXPRESSED WRITTEN CONSENT OF ADA, INC.</small>	ADA SIGNAL PROCESSORS, INC. 7303 D EDGEWATER DRIVE OAKLAND, CA 94621 USA		
	<b>MB1 SCHEMATIC CHORUS</b>		
FILENAME MB2F.DBF	DRAWN DJT    SIZE DRAWING NUMBER    REV.		
CHECKED BY:	<b>C-598</b> <b>F</b>		
DATE:	ENGR DJT	SCALE:	DATE 31-JAN-91    SHEET 3 OF 7