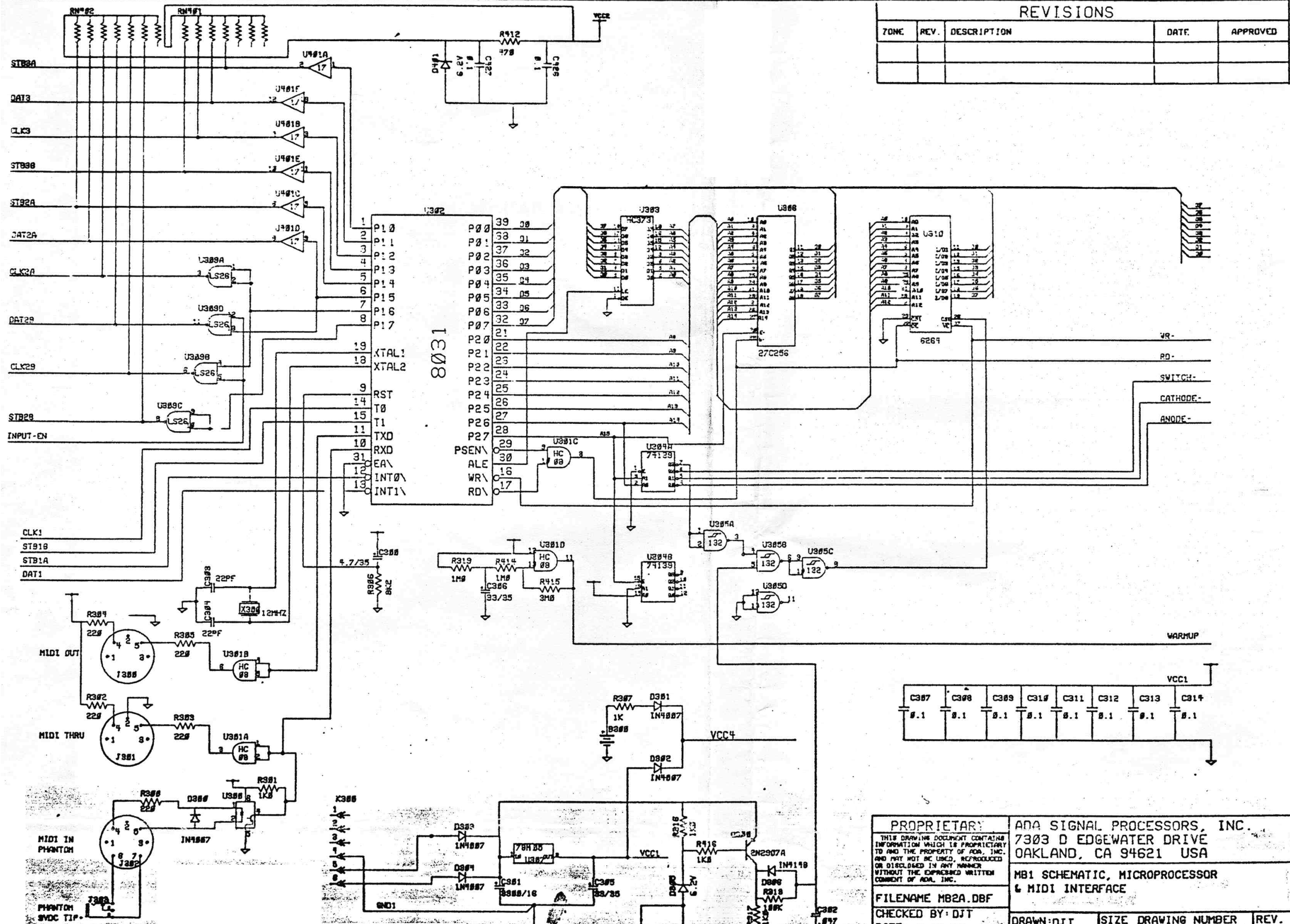


REVISIONS

ZONE	REV.	DESCRIPTION	DATE	APPROVED



C307	C308	C309	C310	C311	C312	C313	C314
0.1	0.1	0.1	0.1	0.1	0.1	0.1	0.1

<p>PROPRIETARY: THIS DRAWING DOCUMENT CONTAINS INFORMATION WHICH IS PROPRIETARY TO AND THE PROPERTY OF ADA, INC. AND MAY NOT BE USED, REPRODUCED OR DISCLOSED IN ANY MANNER WITHOUT THE EXPRESS WRITTEN CONSENT OF ADA, INC.</p>		<p>ADA SIGNAL PROCESSORS, INC. 7303 D EDGEWATER DRIVE OAKLAND, CA 94621 USA</p>	
<p>FILENAME MB2A.DBF</p>		<p>MB1 SCHEMATIC, MICROPROCESSOR & MIDI INTERFACE</p>	
<p>CHECKED BY: DJT DATE: 9-19-90</p>	<p>DRAWN: DJT</p>	<p>SIZE: C 580</p>	<p>REV. L</p>
<p>APPROVED: DATE:</p>	<p>ENGR EMB/DJT</p>	<p>SCALE: --</p>	<p>DATE 91-JAN-91 SHEET 1 OF 2</p>

REV A