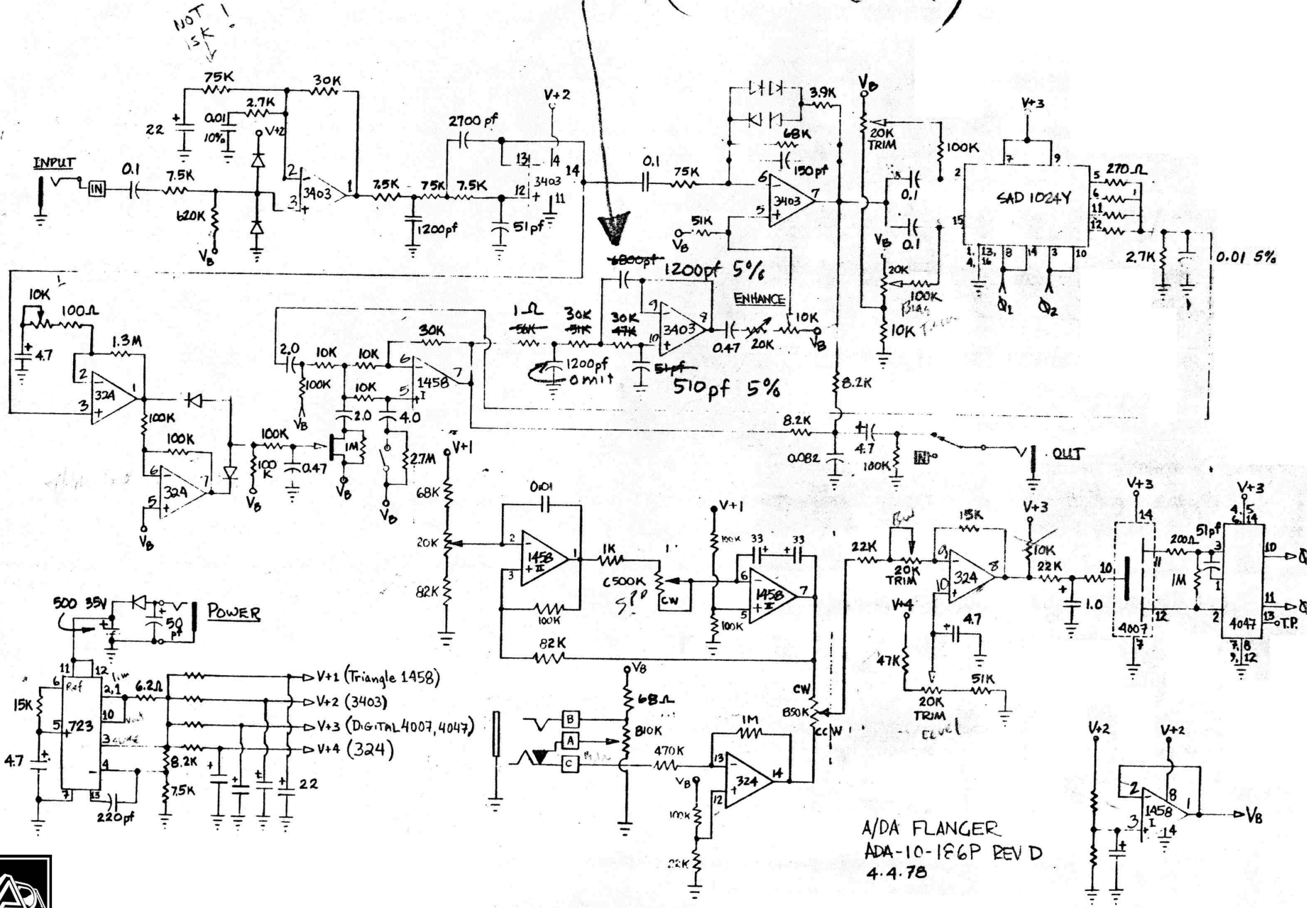


# Revision C mod

(10-184P C mod)



A/D A FLANGER  
 ADA-10-186P REV D  
 4.4.78

