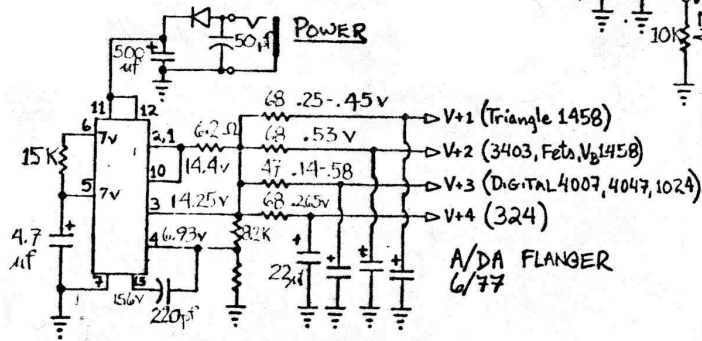
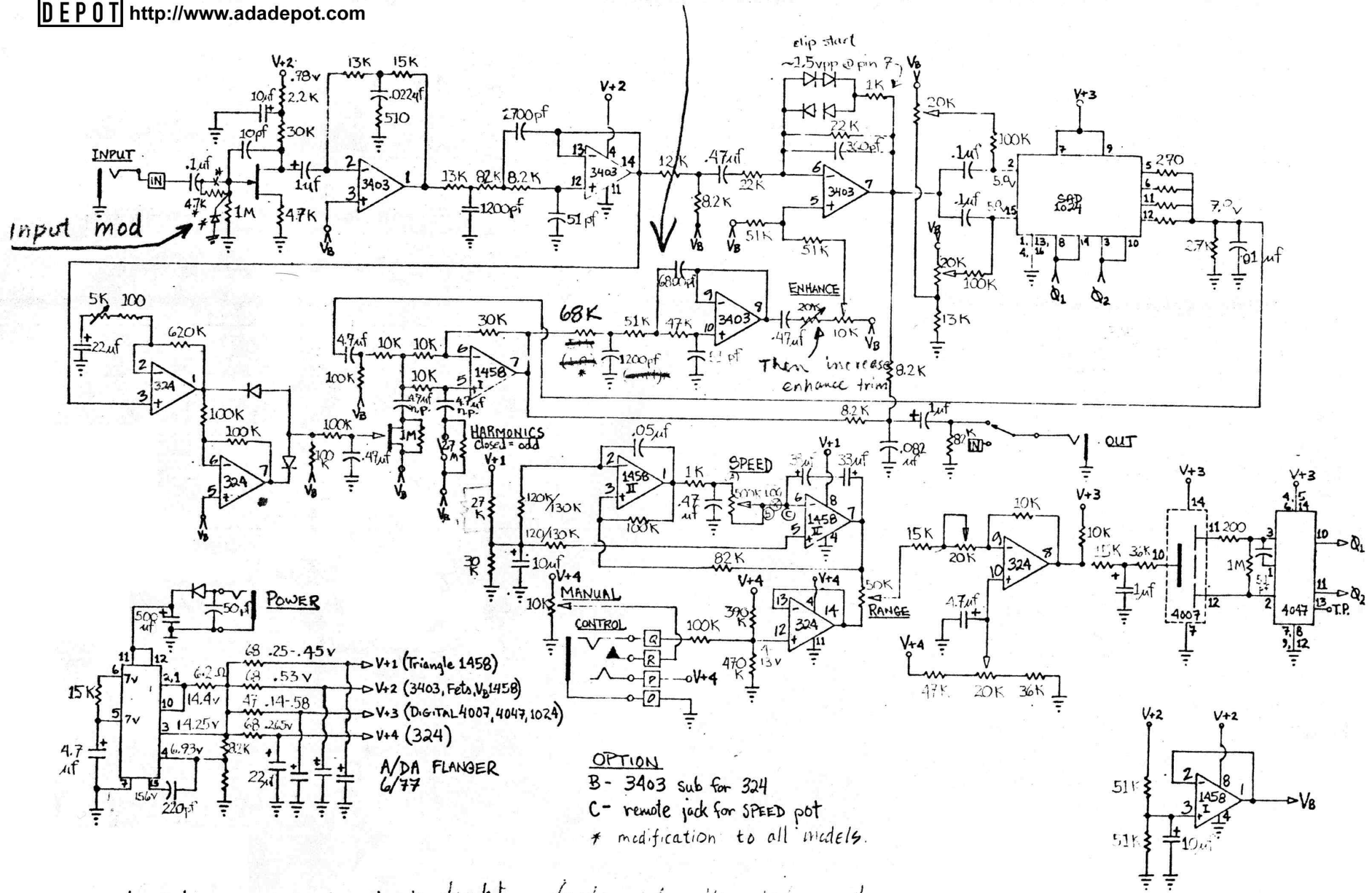




http://www.adadepot.com

# 10-183 Old Board mods

Rev 1+2



**OPTION**  
 B- 3403 sub for 324  
 C- remote jack for SPEED pot  
 \* modification to all models.

1. be sure to lock-tight footswitch knurled nut
2. glue PCB into case with hot glue

