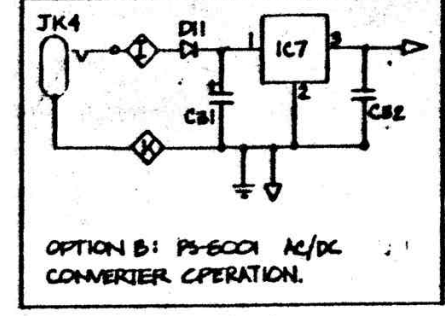
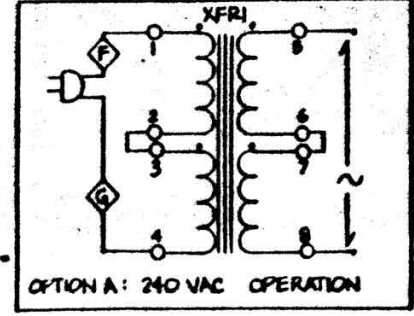
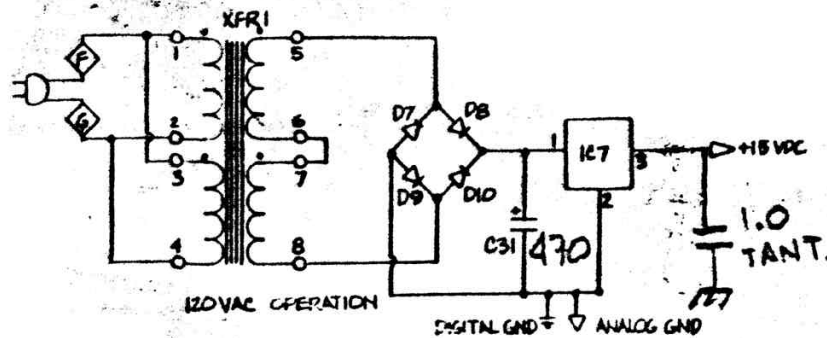
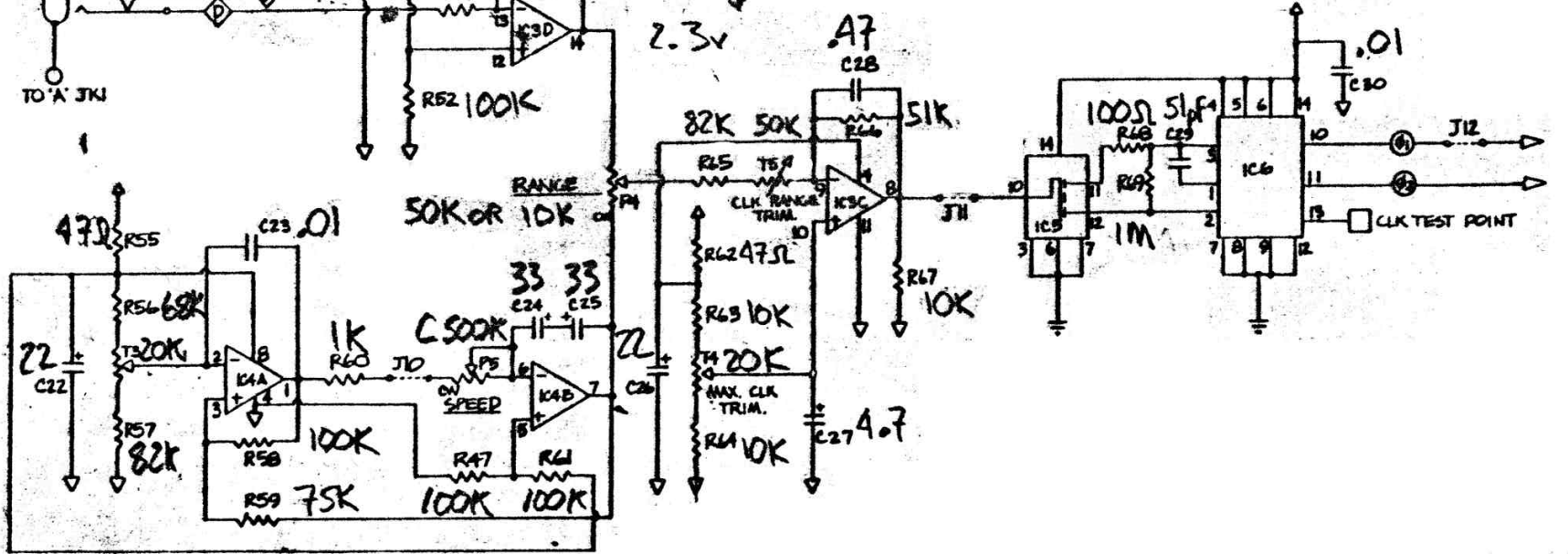
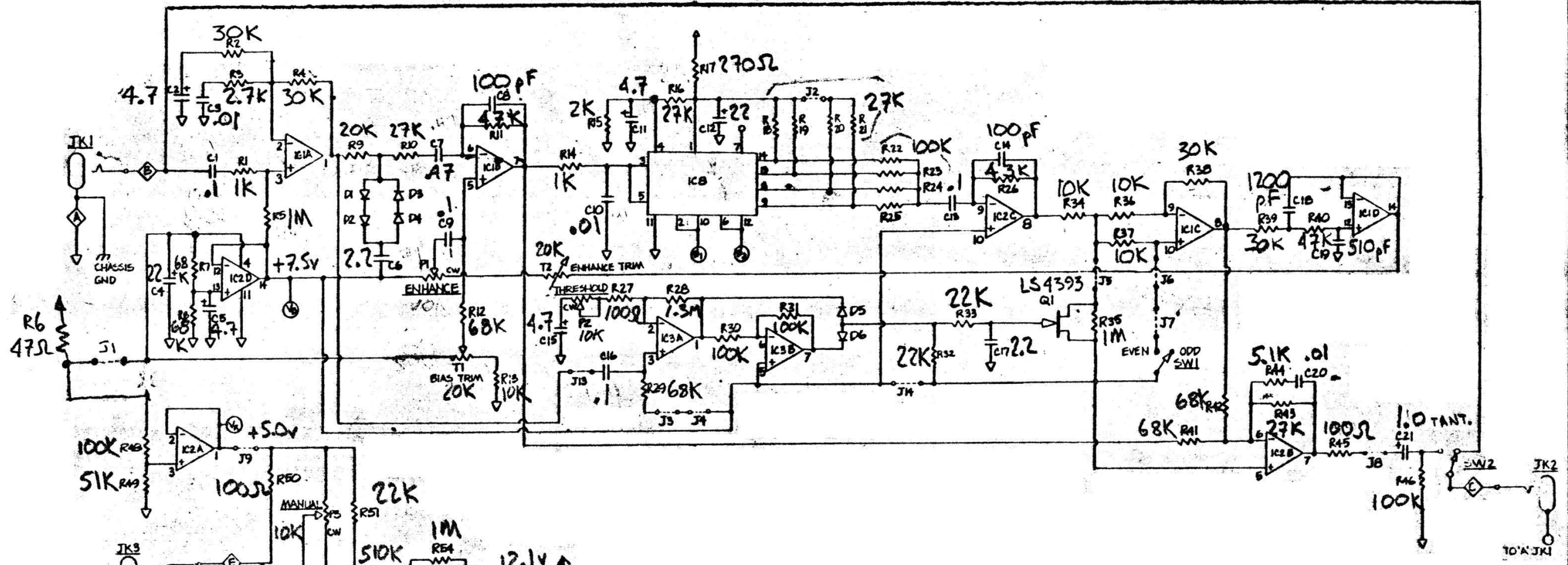


3rd revision



OR:

IC1	RC3403ADB	LM348	R	LIST USED
IC2	RC3403ADB	1R4741	C	R69
IC3	LM324		D	CB2
IC4	MCM86CP1		T	DI1
IC5	CD4007UBE		P	TB
IC6	CD4047BE		J	FB
IC7	UA78M15CU			JH
IC8	MN3010			

REVISIONS:
 7-10-80 RELOCATE R47
 . J1B
 . OMT C32
 7-11-80 OMT OPTION 'B'

FLANGER 10-185P. 120/240 VAC OPERATION.
 MN3010 BBD.

SCALE: - C	APPROVED BY: D. TARNOWSKI	DRAWN BY: DJT
DATE: 10-18-79	REVISED: 10-18-84	

ANALOG/DIGITAL ASSOCIATES
 2316 FOURTH STREET, BERKELEY, CA 94710

DRAWING NUMBER: 10A1