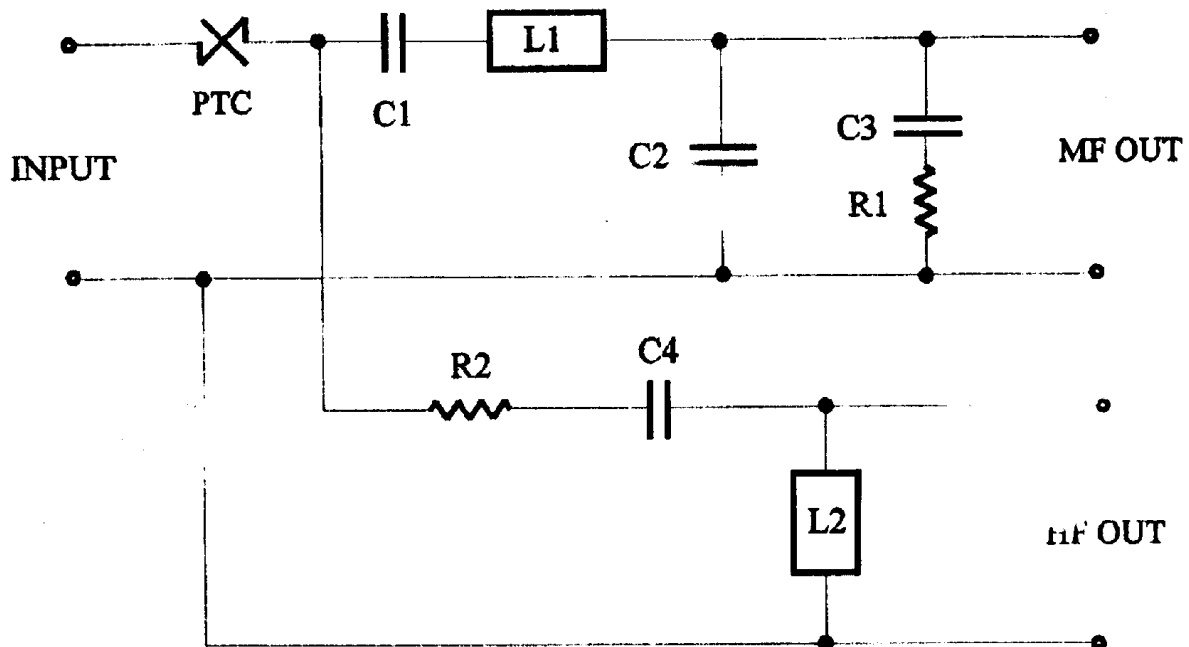




AVI SOUND INTERNATIONAL LTD.  
 UNIT 170, 11120 VOYAGEUR WAY  
 RICHMOND, B.C. CANADA V6X 3N8  
 PHONE: (604) 276-0099 FAX: (604) 276-0409

## AL-100 CROSSOVER



- C1—200 UF, 100V ELECTROLYTIC.
- L1—0.27mH, FERRITE CORE(10  $\phi$  X 30L), 1.00  $\phi$  WIRE.
- C2—15UF 100V, ELECTROLYTIC.
- C3—15UF, 50V, ELCELTROLYTIC.
- R1—8R0, 10W.
- R2—10R0, 5W.
- C4—4.7UF 100V, MYLAR.
- L2—0.08mH, FERRITE CORE(5  $\phi$  X 30L), 0.50  $\phi$  WIRE.
- PTC—D-070.

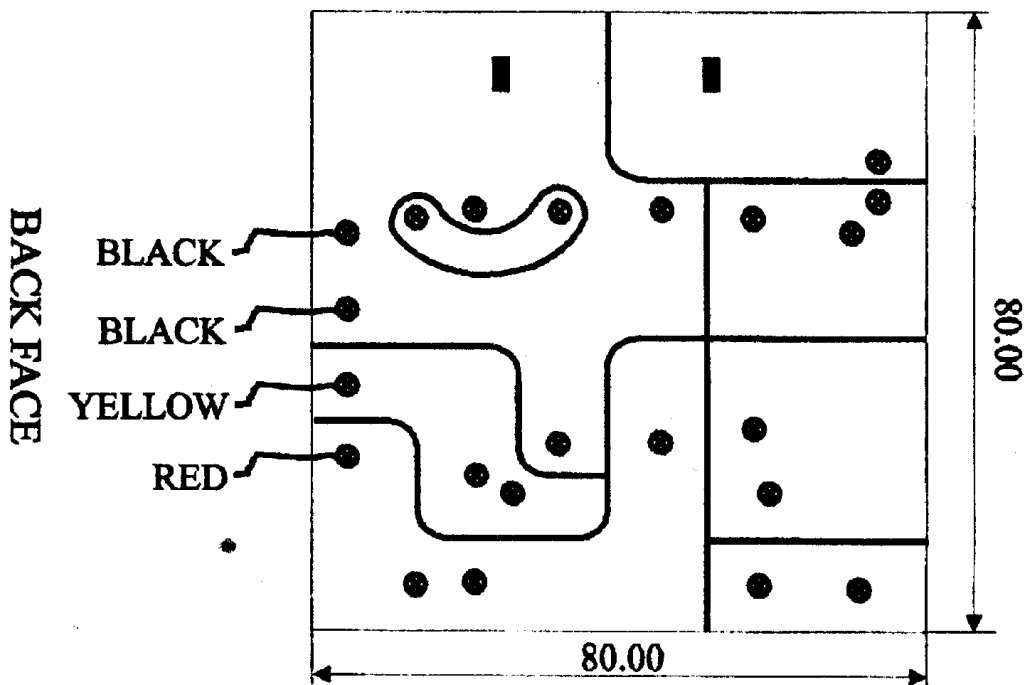
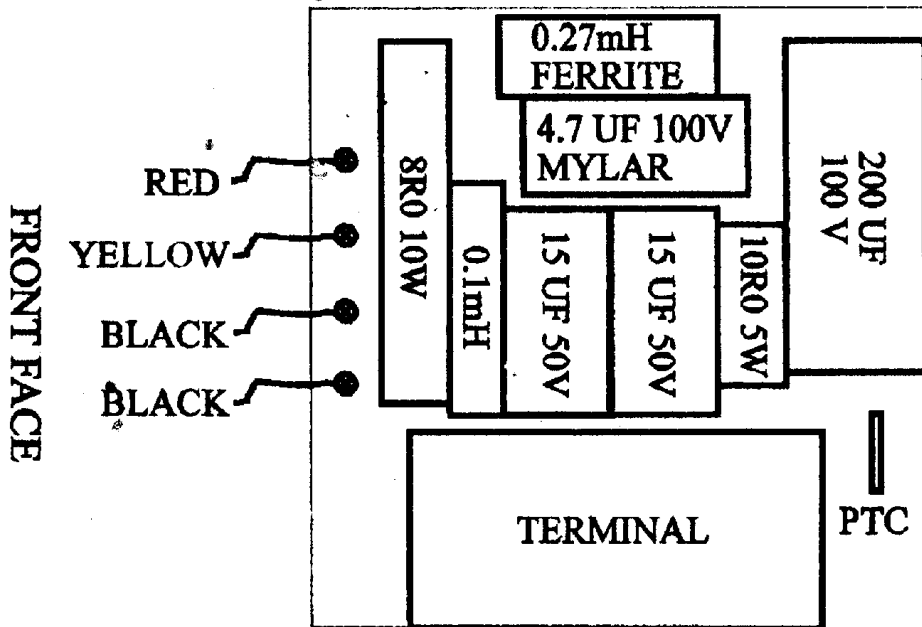
- ★ ALL TOLERANCES  $\pm$ 5%
- ★ P. C. BOARD TYPE G-10 GLASS EPOXY

THIS REVISION: BY BOB Z. ZHAO, ENGINEER OF AVI, CANADA  
 TERMINAL: SAME AS AL130  
 DATE: SEPTEMBER 16, 1994



AVI SOUND INTERNATIONAL LTD.  
 UNIT 170, 11120 VOYAGEUR WAY  
 RICHMOND, B.C. CANADA V6X 3N8  
 PHONE: (604) 276-0099 FAX: (604) 276-0409

## AL-100 CROSSOVER



THIS VERSION: BY BOB Z. ZHAO, ENGINEER OF AVI, CANADA  
 TERMINAL: SAME AS AL-130  
 DATE: SEPTEMBER 15, 1994