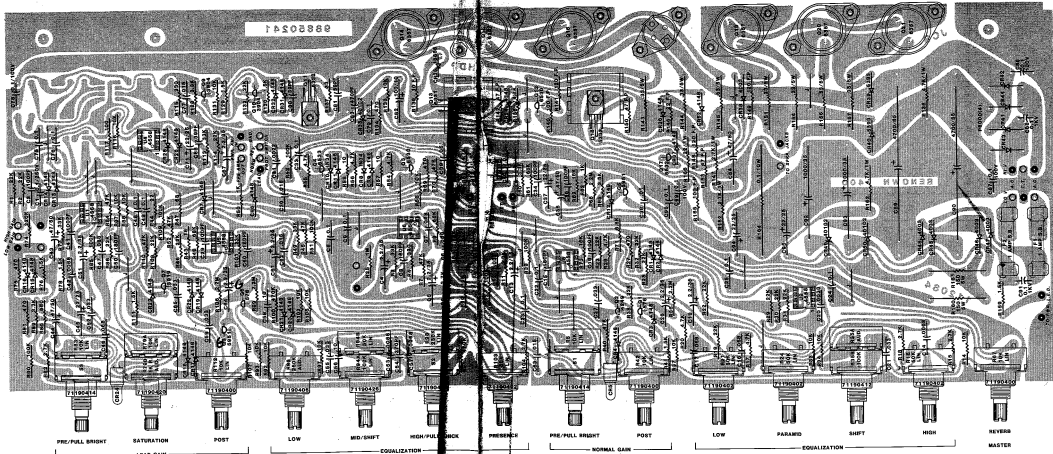
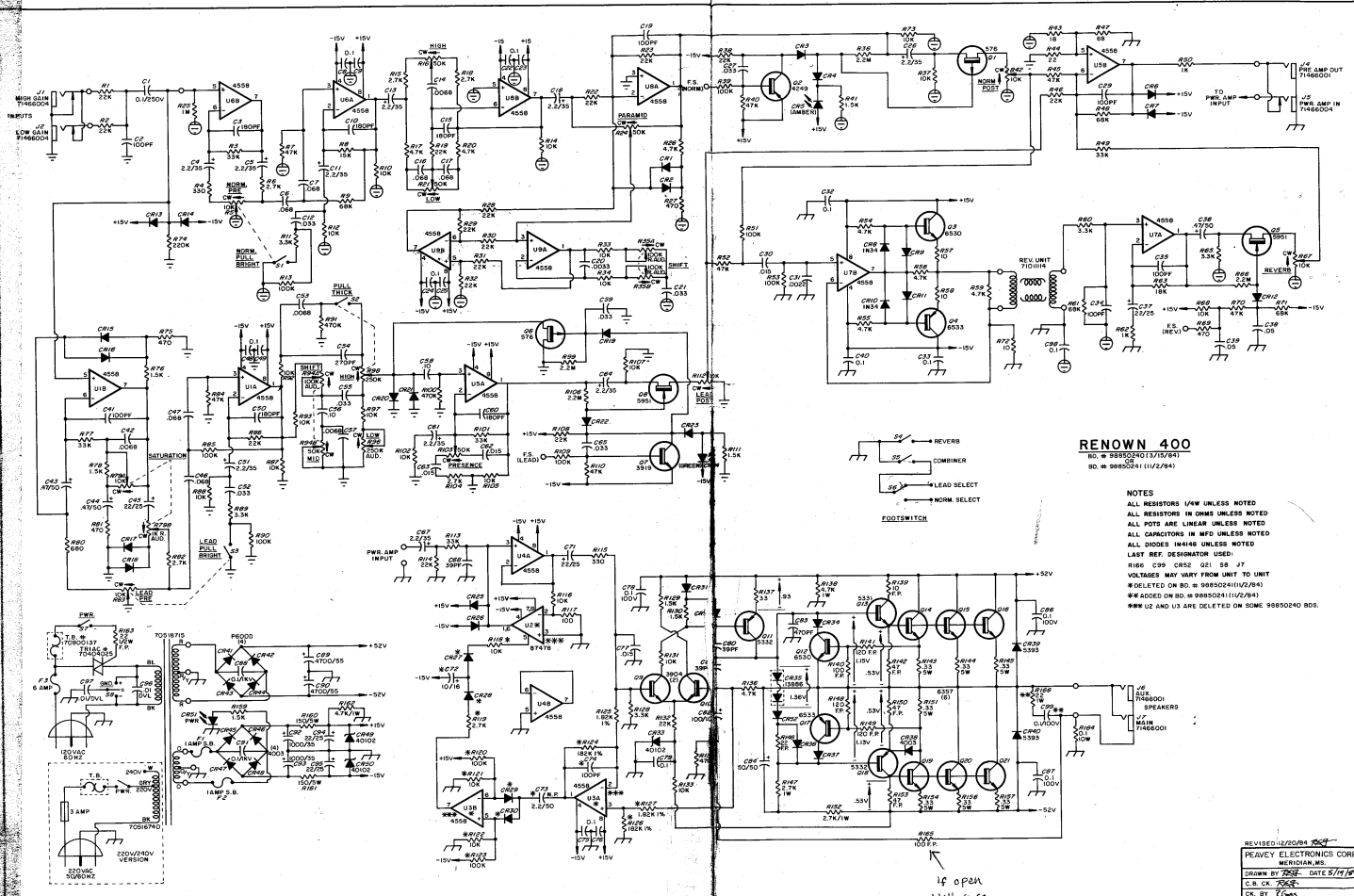


RENOWN 400
14-4 8888888888888888



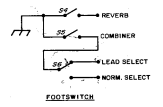
Renown-40

RENOWN 400
14-4 8888888888888888



RENOV 400
 NO. # 9885241 (11/27/84)
 NO. # 9885240 (8/12/84)

- NOTES**
- ALL RESISTORS 1/4W UNLESS NOTED
 - ALL POTS ARE LINEAR UNLESS NOTED
 - ALL CAPACITORS IN WFO UNLESS NOTED
 - ALL DIODES IN4148 UNLESS NOTED
 - LAST REF. DESIGNATOR USED:
 - HIGH CTR C92, C91, S8, S7
 - DELETED ON NO. # 9885241 (11/27/84)
 - ** ADDED ON NO. # 9885241 (11/27/84)
 - *** U2 AND U3 ARE DELETED ON SOME 9885240 BODS.



REVISED: 12/20/84
 PEAVEY ELECTRONICS CORP
 MERRIDEN, CT
 DRAWN BY: DATE: 8/11/84
 C.B. CH. 70547
 CR. BY: E.C.
 BY: J.C.R.
 P/N 81501203

if open
 U11 C6,56
 LOW GAIN