

Service Manual

(PROVISIONAL VERSION)

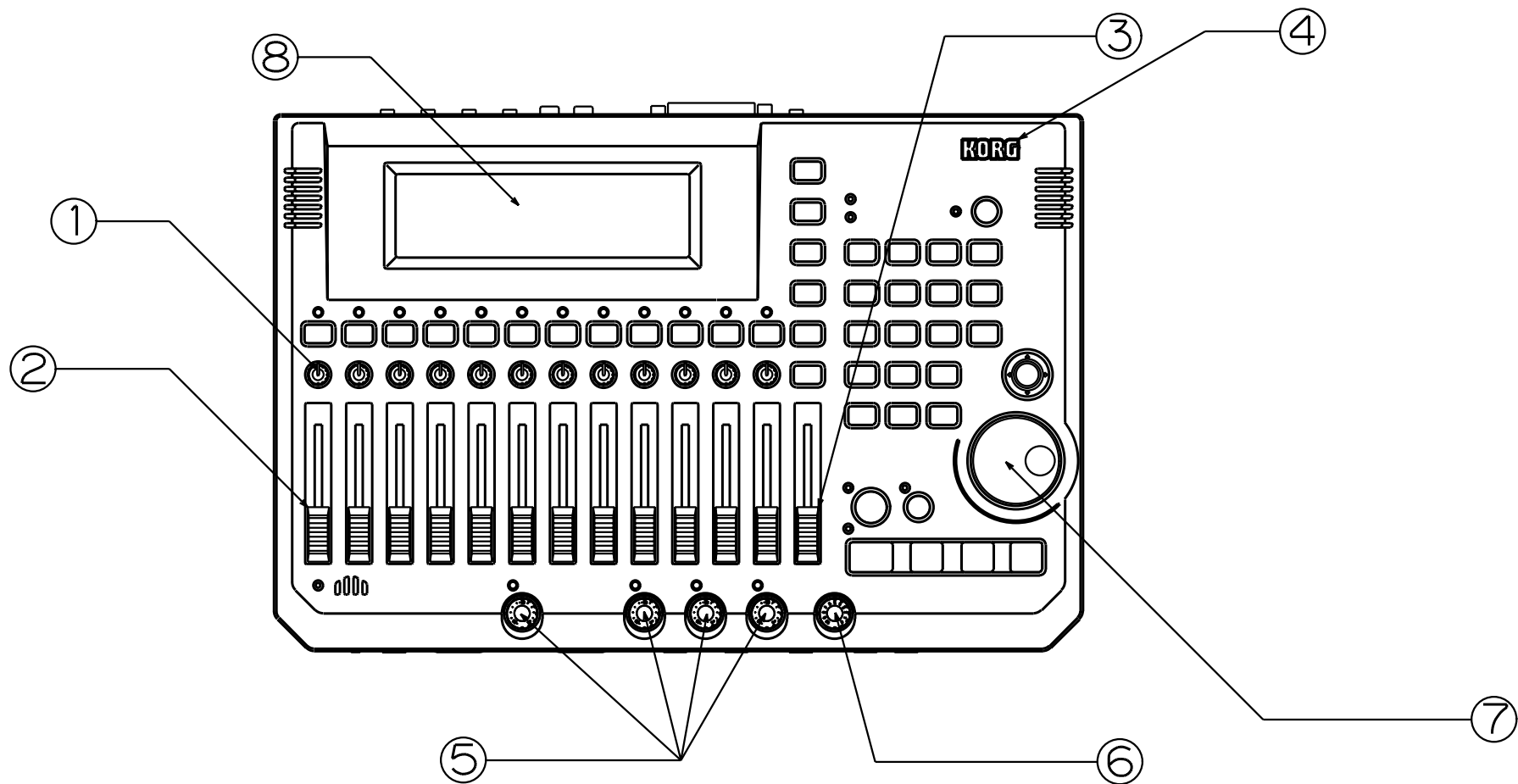
D16 Digital Recording Studio



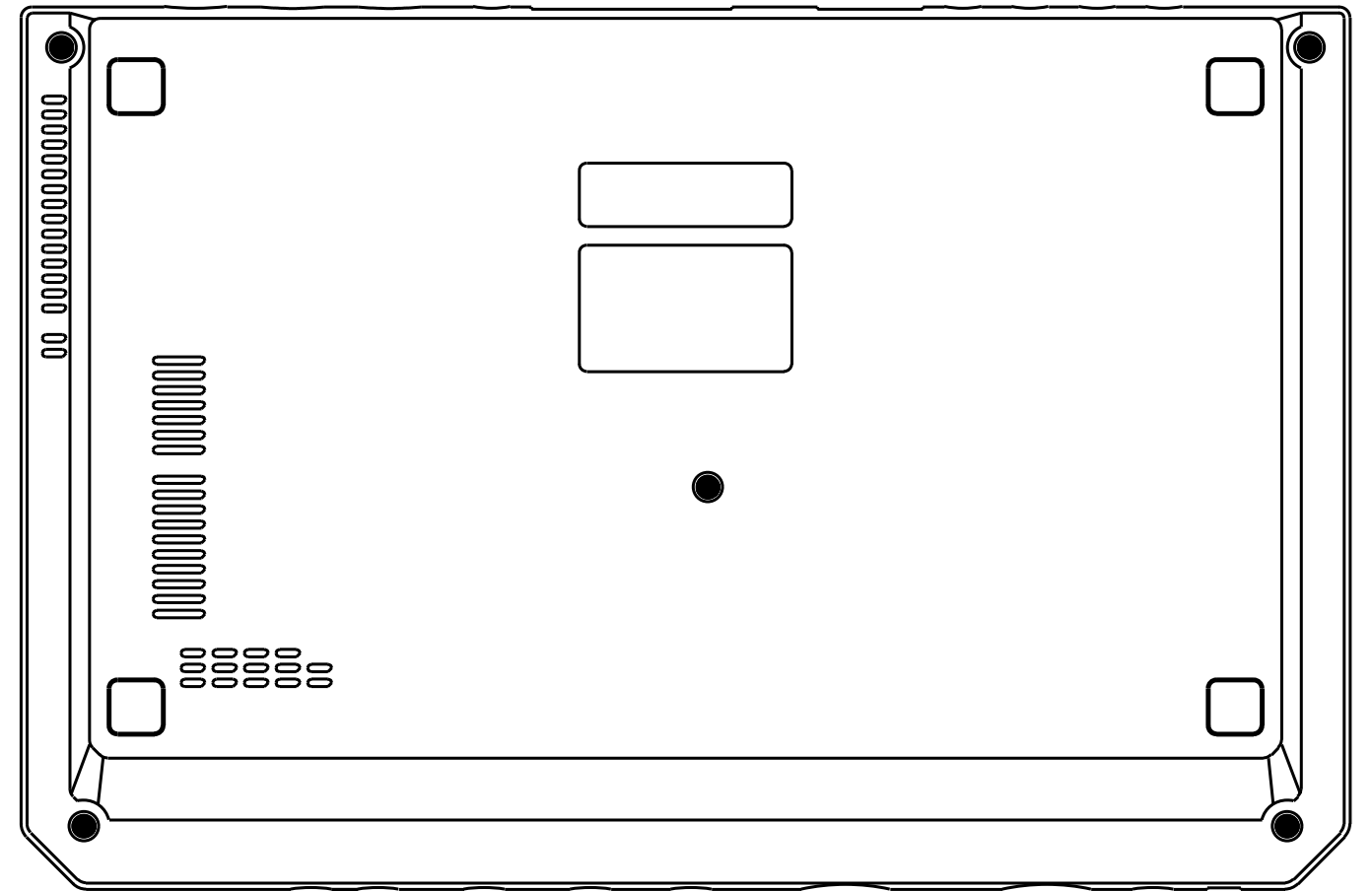
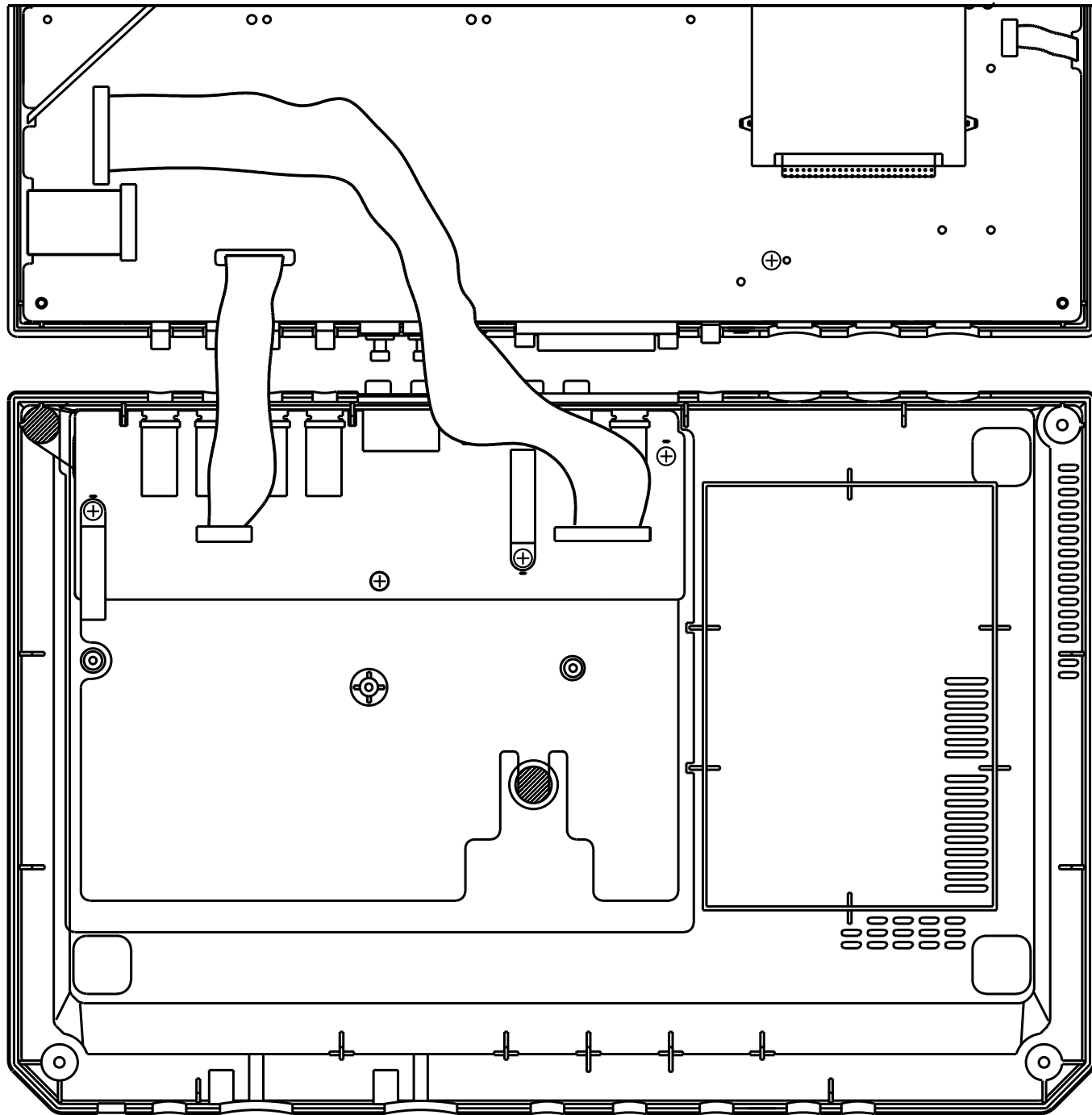
CONTENTS

1) Structural Diagram - - - - -	2
2) Block Diagram - - - - -	7
3) Circuit Diagram - - - - -	9
4) Diagnostics - - - - -	Not yet
5) Parts List - - - - -	13

PROVISIONAL VERSION
Issued date: Dec.20.1999
Issued by: KORG INC.

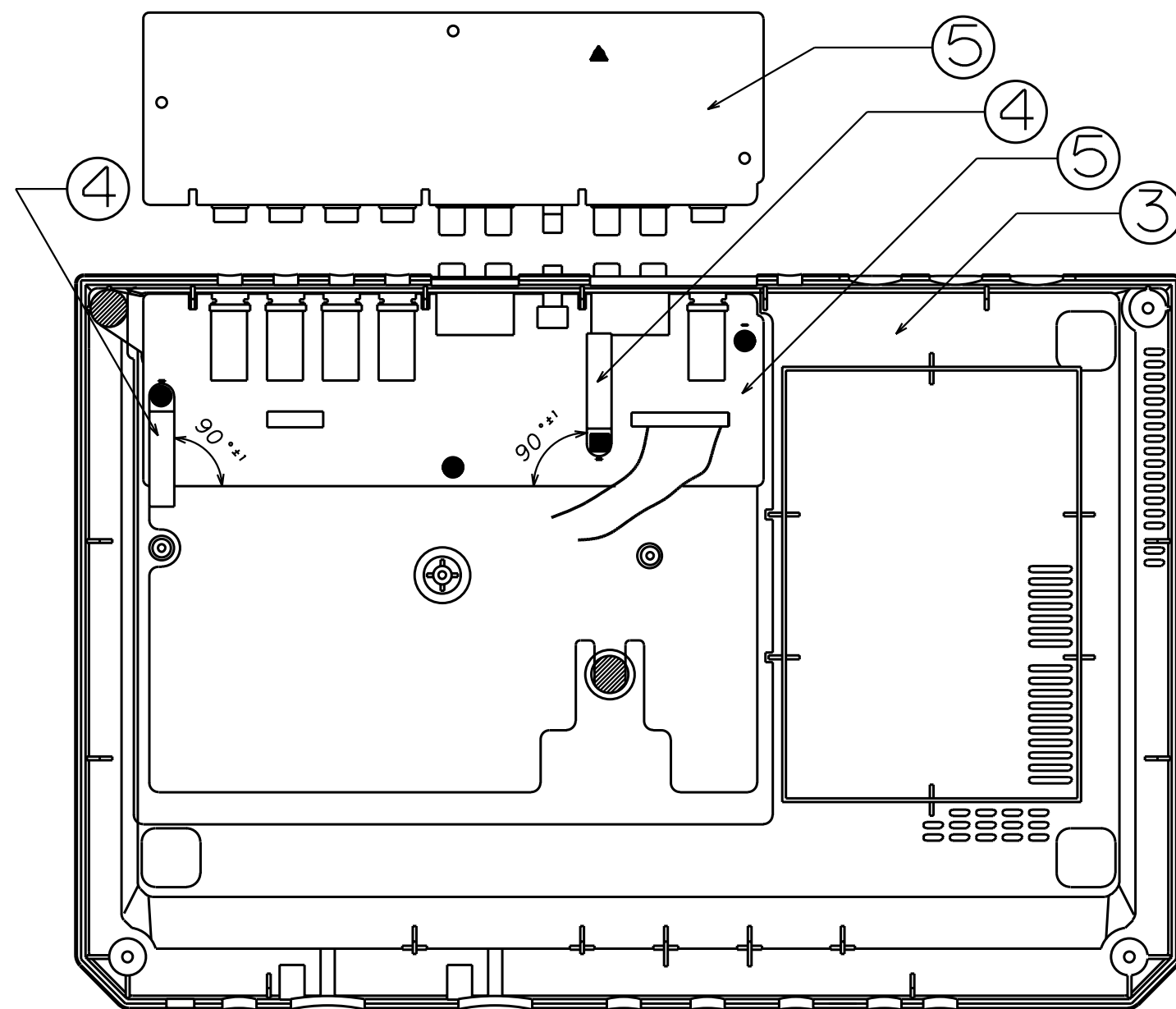
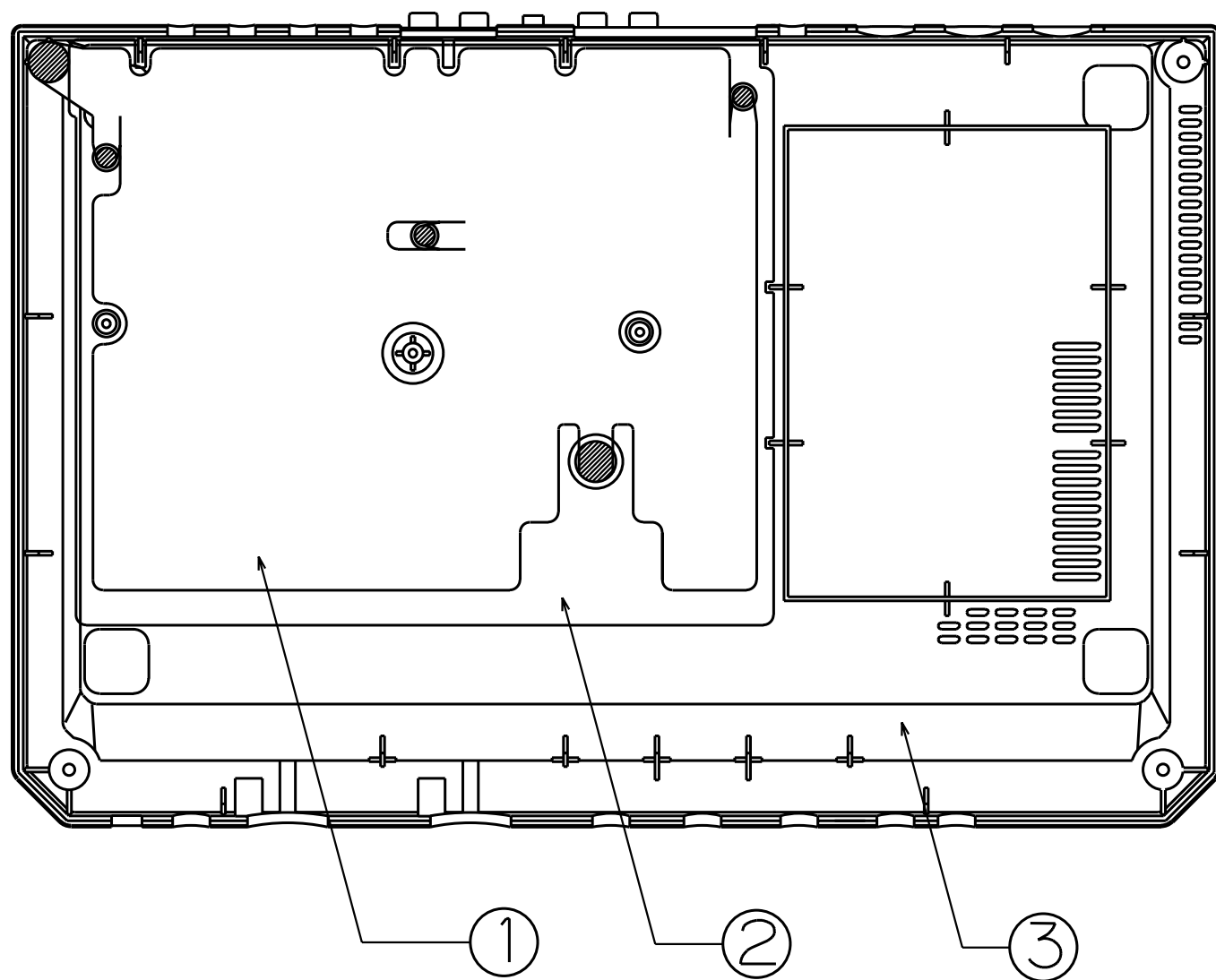


NO.	PART CODE	PART NAME	Q'TY
1	620036500	X-8410 VR KNOB KOC-E40487	12
2	620033100	SLIDER KNOB P772-FO	12
3	620037200	KNOB P772 (RED/BLACK)	1
4	641041570	X-8410 KORG PLATE KOC-C41155	1
5	620036600	X-8410 TRIM KNOB1 KOC-E40486-1	4
6	620036700	X-8410 TRIM KNOB2 KOC-E40486-2	1
7	620036400	X610 R.ENCODER KNOB(DARK GLAY)	1
8	313005200	LCD DG-24064-2-S1MBLY-H318-50	1



●	BT B	BZMC 3 x 12	5	
MARK		SCREWS	QTY	

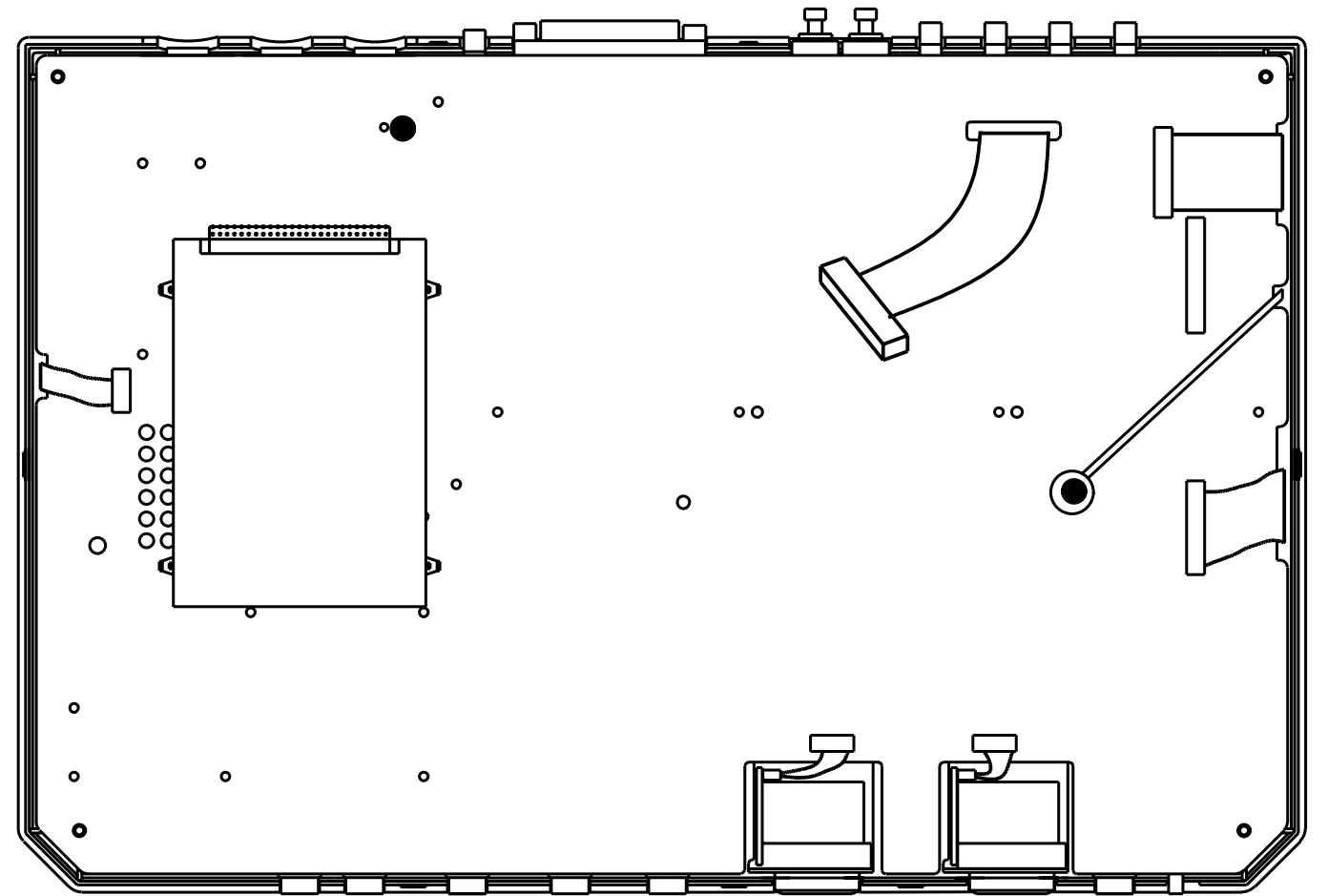
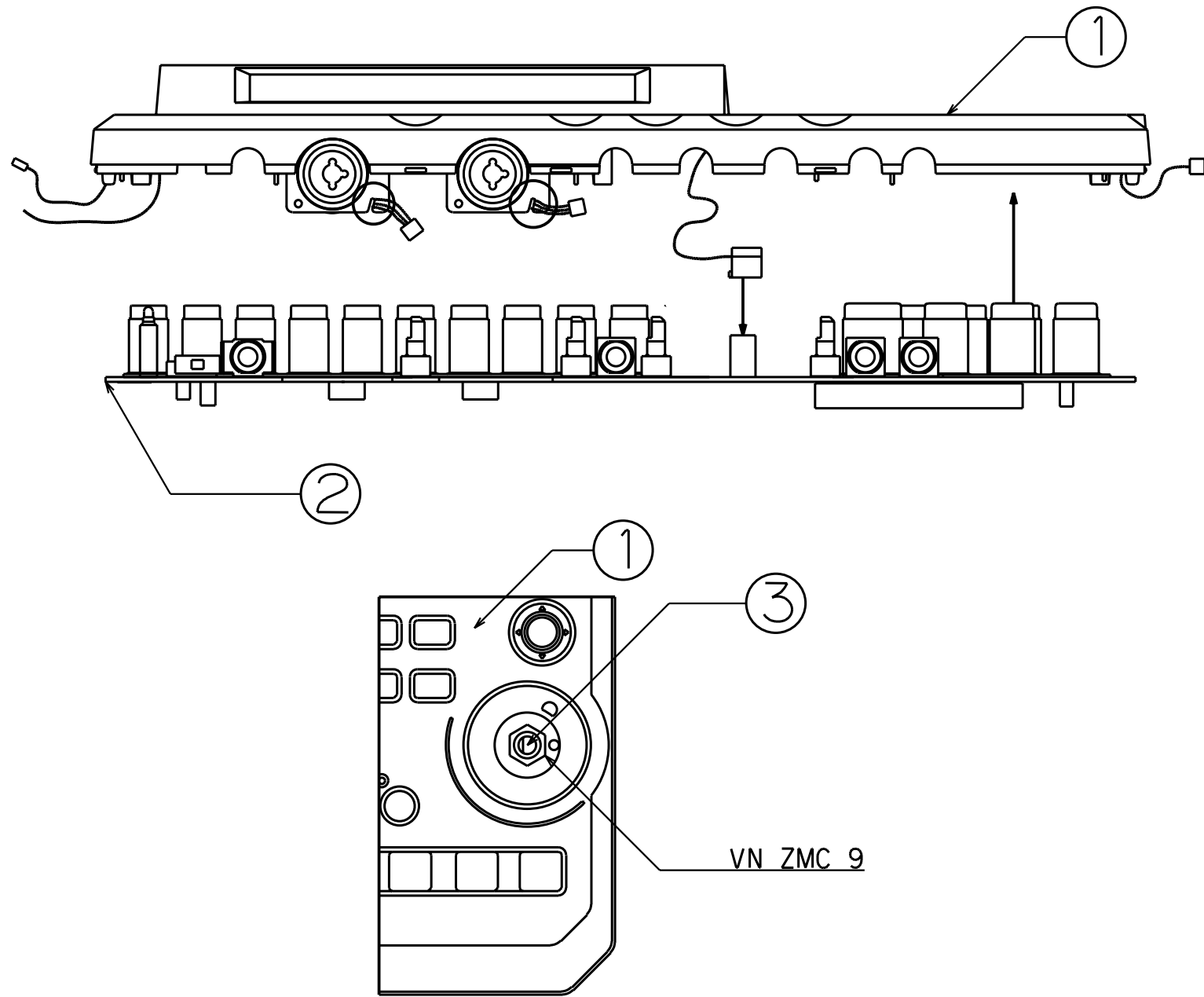
DISASSEMBLY 2



NO.	PART CODE	PART NAME	Q'TY
1	630031300	X-8410 SHIELD SHEET KOC-F30079	1
2	630031400	X-8410 ISOLATION SHEET F30080	1
3	646072200	X-8410 LOWER CASE KOC-E10172	1
4	644009000	X-8510 GND SPRING(K) KOC-C4116	2
5	001212400	PCB ASSY KLM-2124/5/6/9 D16	1

MARK	SCREWS	QTY
▼	FHN ZMC 3	1
▲	FE B ZMC 3 x 6	1
●	BT B ZMC 3 x 8	3

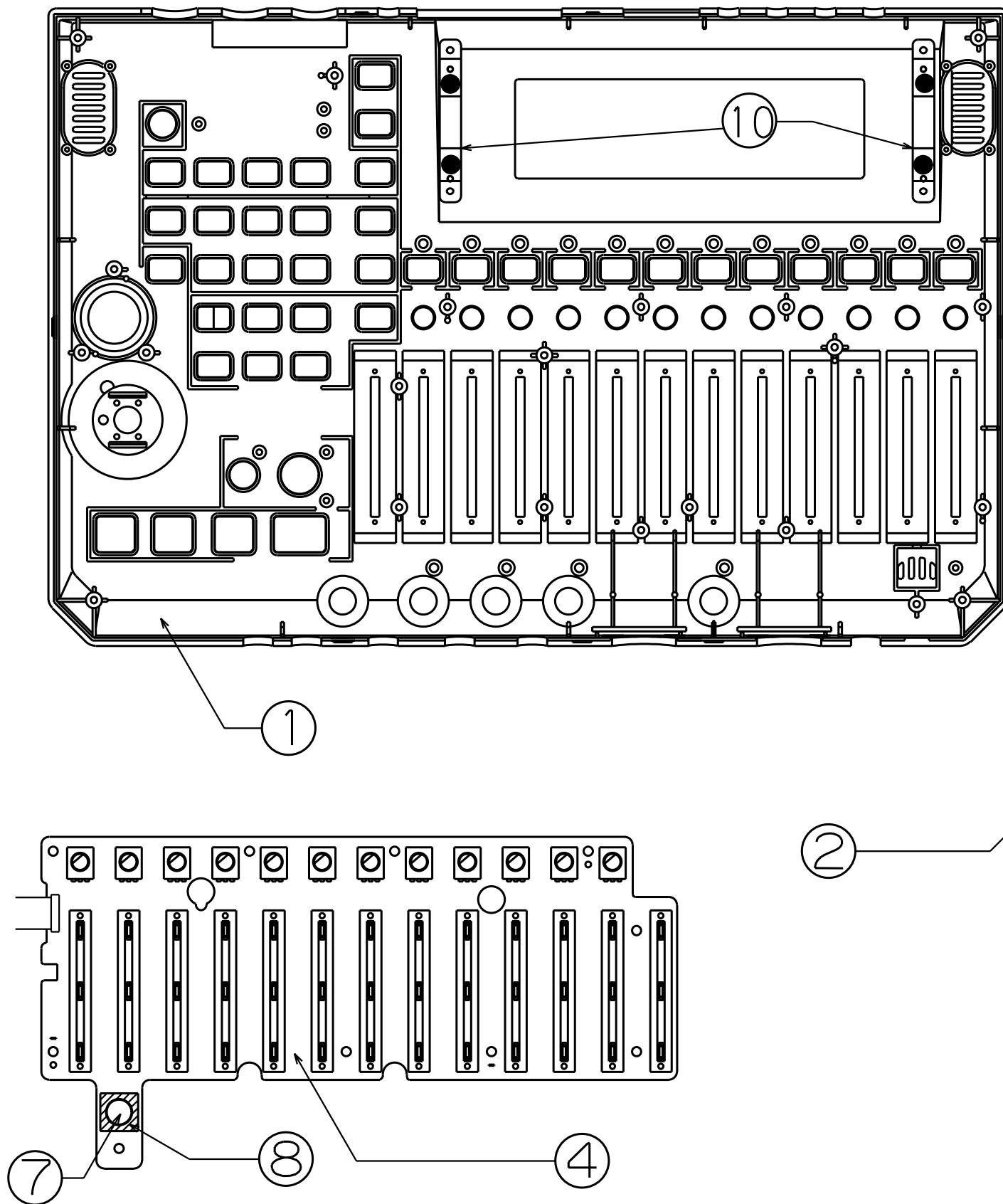
DISASSEMBLY 3



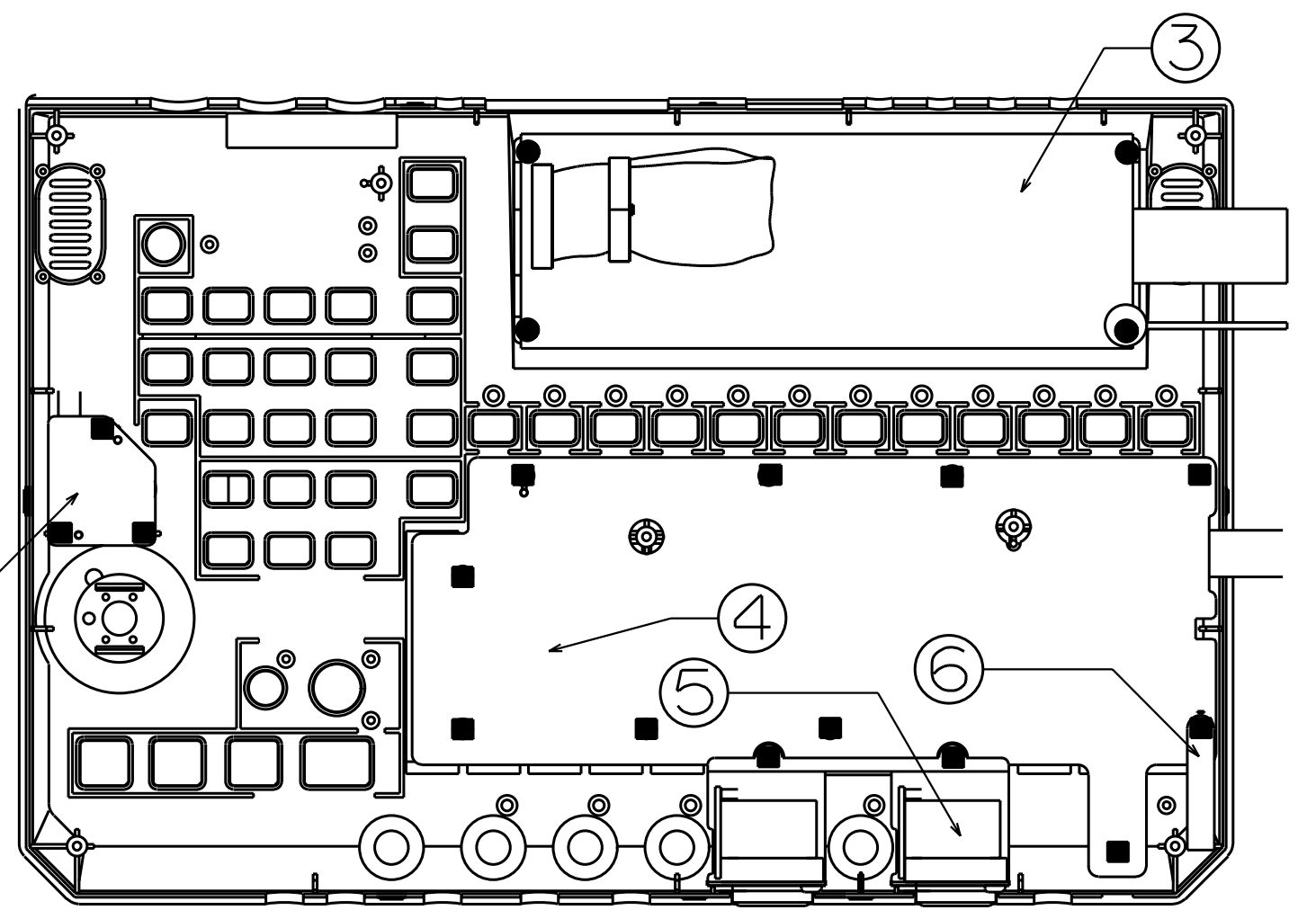
NO.	PART CODE	PART NAME	Q'TY
1	646071900	X-8410 UPPER CASE KOC-E10171	1
2	001212400	PCB ASSY KLM-2124/5/6/9 D16	1
3	370004500	REC EC16B242041S	1

▼			
▲			
■			
●	BT	B	BZMC 3 x 12
MARK	SCREWS		QTY

DISASSEMBLY 4

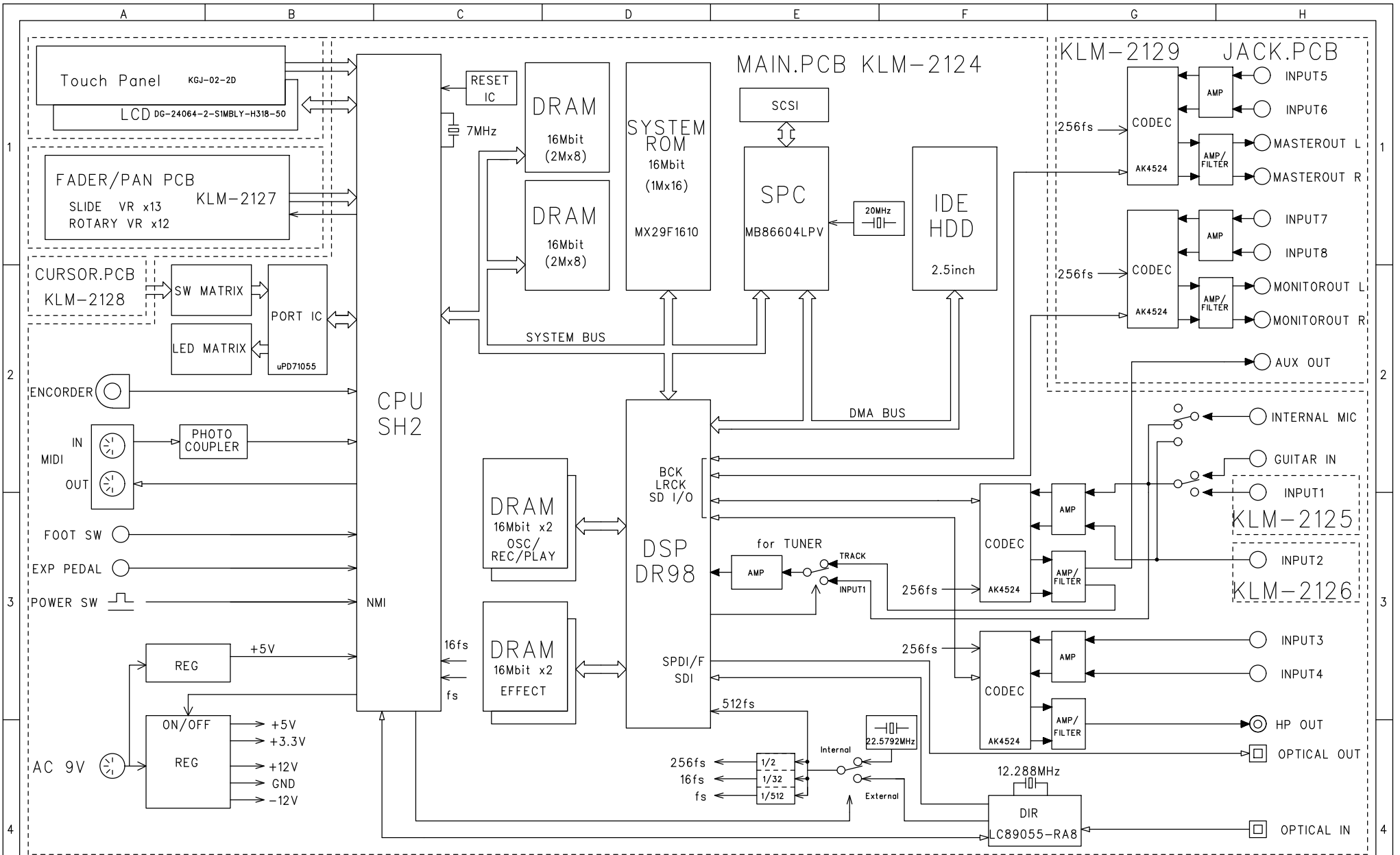


NO.	PART CODE	PART NAME	Q'TY
1	646071900	X-8410 UPPER CASE KOC-E10171	1
2	001212700	PCB ASSY KLM-2127/28 D16	1
3	313005200	LCD DG-24064-2-SIMBLY-H318-50	1
4	001212700	PCB ASSY KLM-2127/28 D16	1
5	001212400	PCB ASSY KLM-2124/5/6/9 D16	1
6	644009000	X-8510 GND SPRING(K) KOC-C4116	1
7	415000900	MIC EM-4F-6	1
8	620037700	X-8410 MIC RUBBER KOC-F40893	1

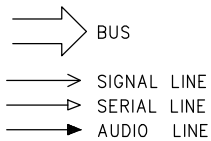


▼			
▲			
■	BT B	ZMC 3 x 8	15
●	BT B	ZMC 3 x 6	8
MARK		SCREWS	QTY

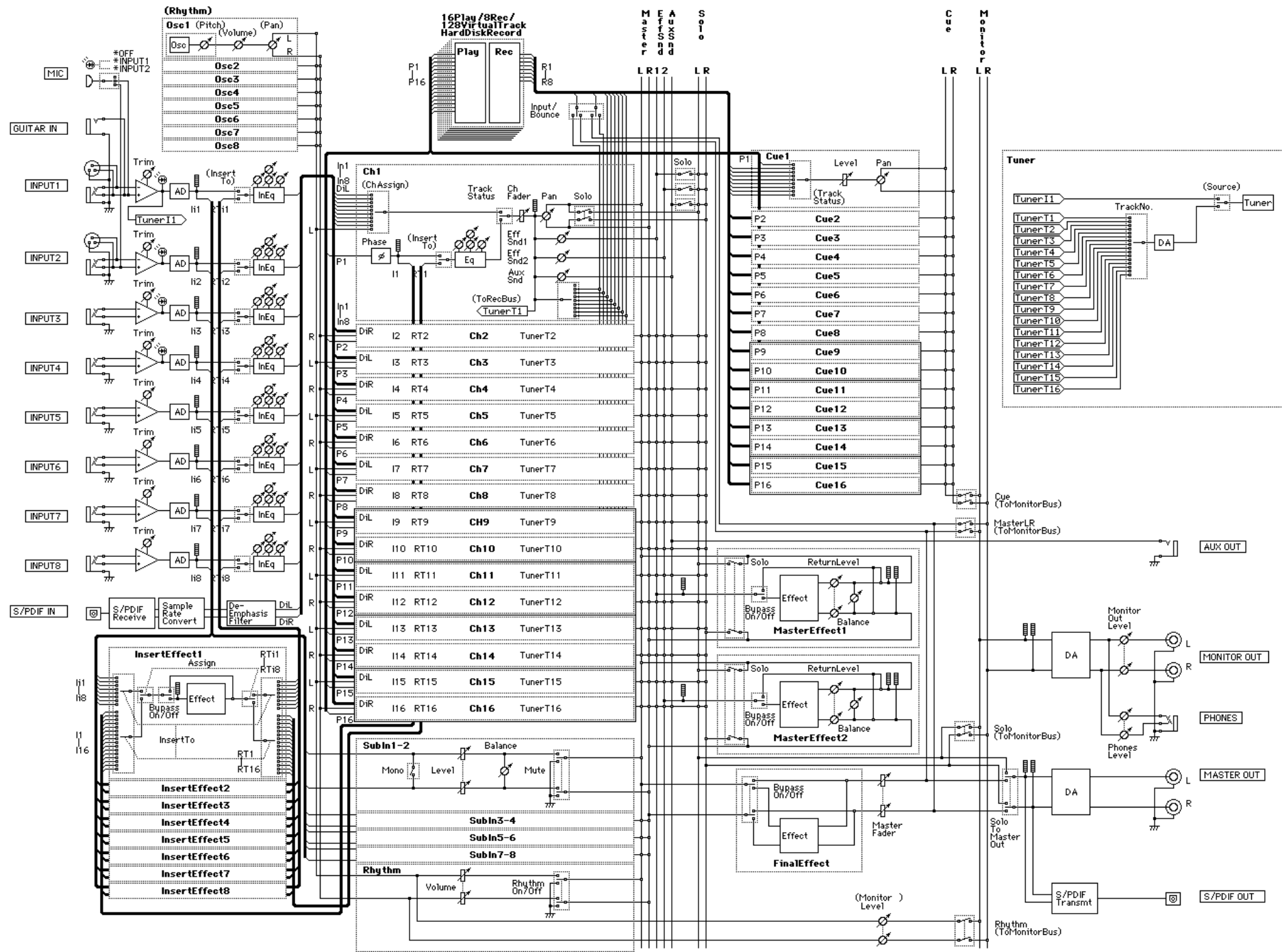
DISASSEMBLY 5

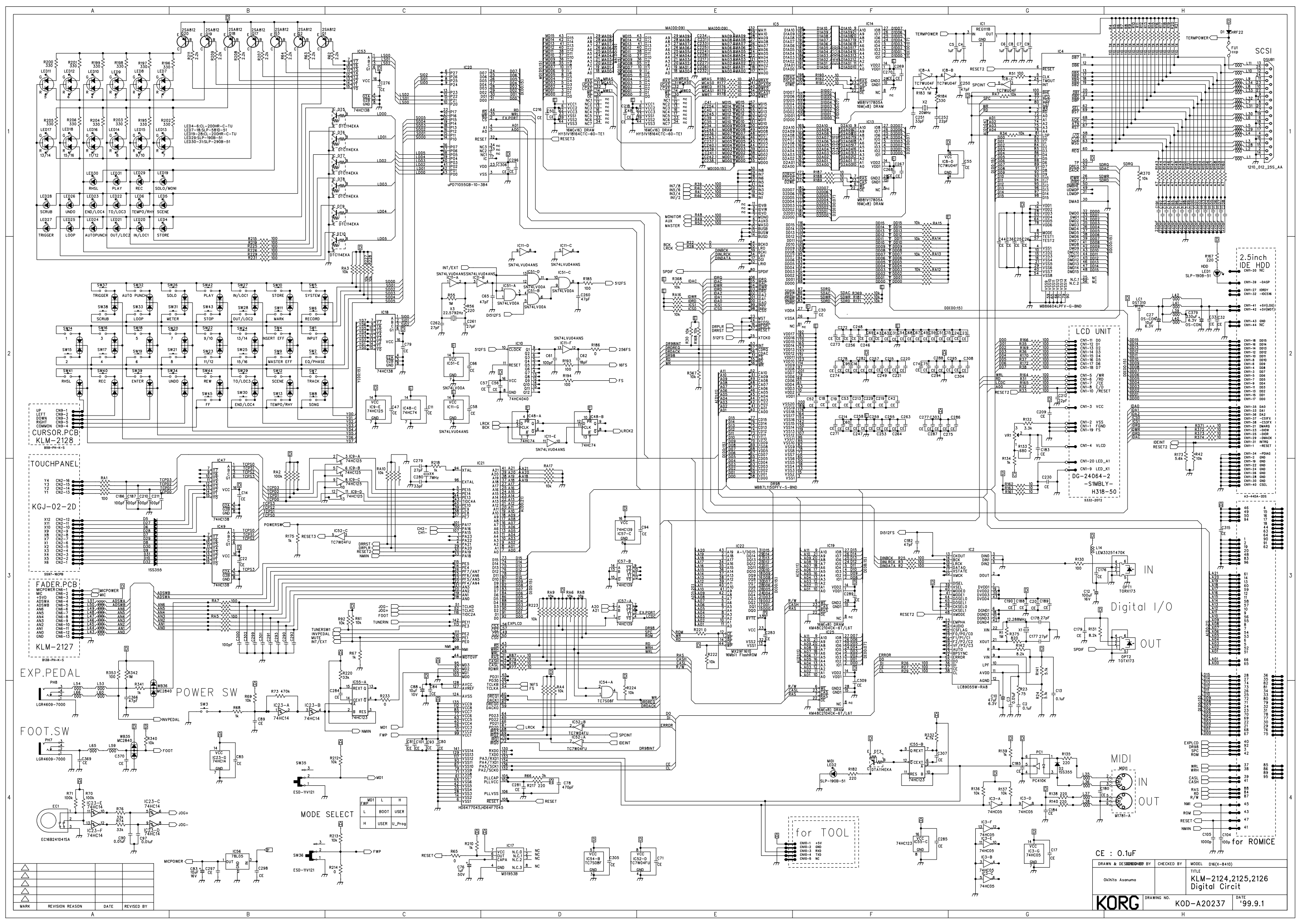


△			
△			
△			
△			
△			
△			
MARK	REVISION REASON	DATE	REVISED BY



DRAWN BY	DESIGNED BY	CHECKED BY	MODEL	D16 (X-8410)
O.ASANUMA	O.ASANUMA		TITLE	SYSTEM BLOCK DIAGRAM
KORG		DRAWING NO.	KOD-B40200	DATE '99.9.3



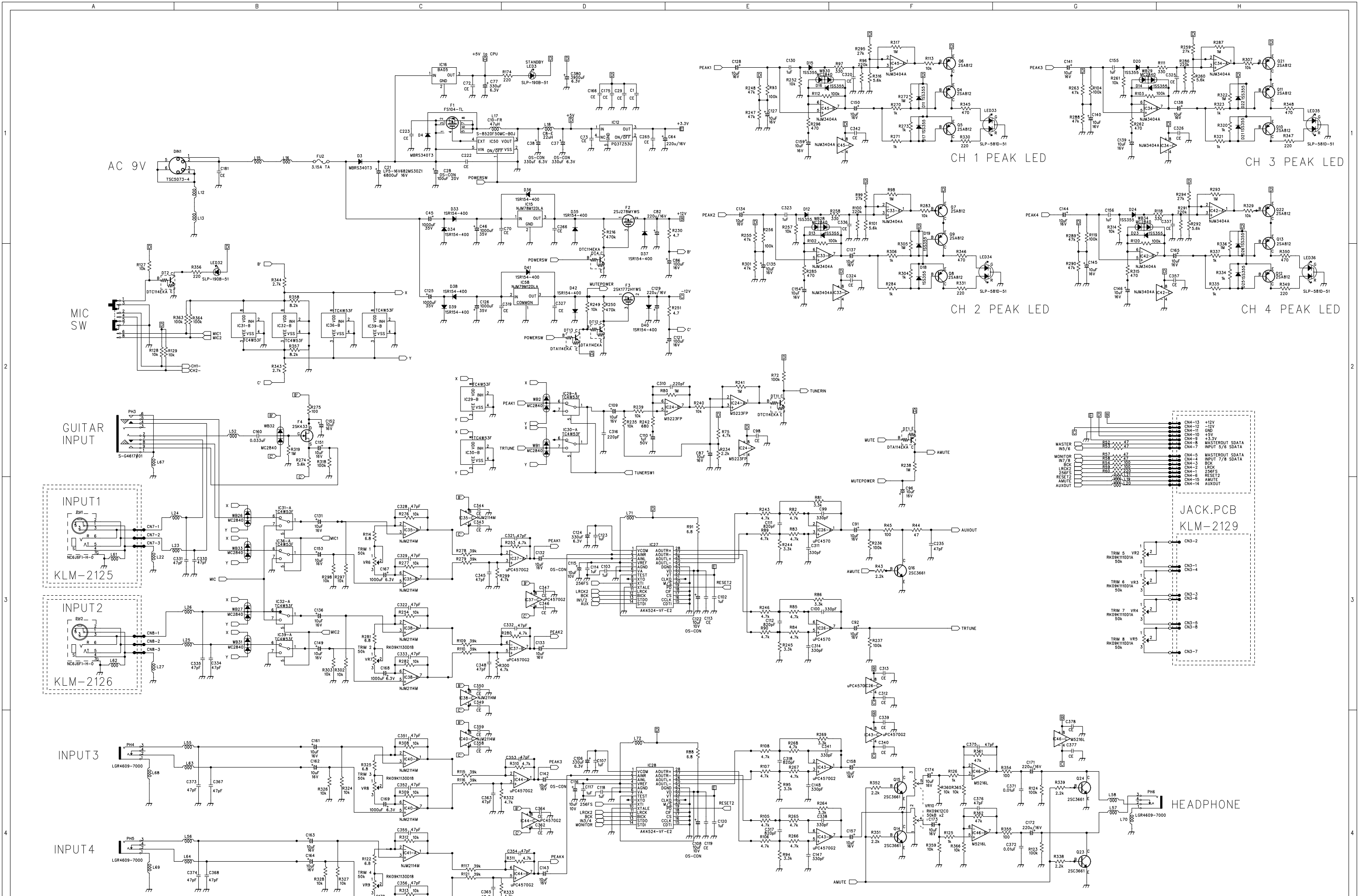


MARK	REVISION	REASON	DATE	REVISED BY

CE : 0.1uF

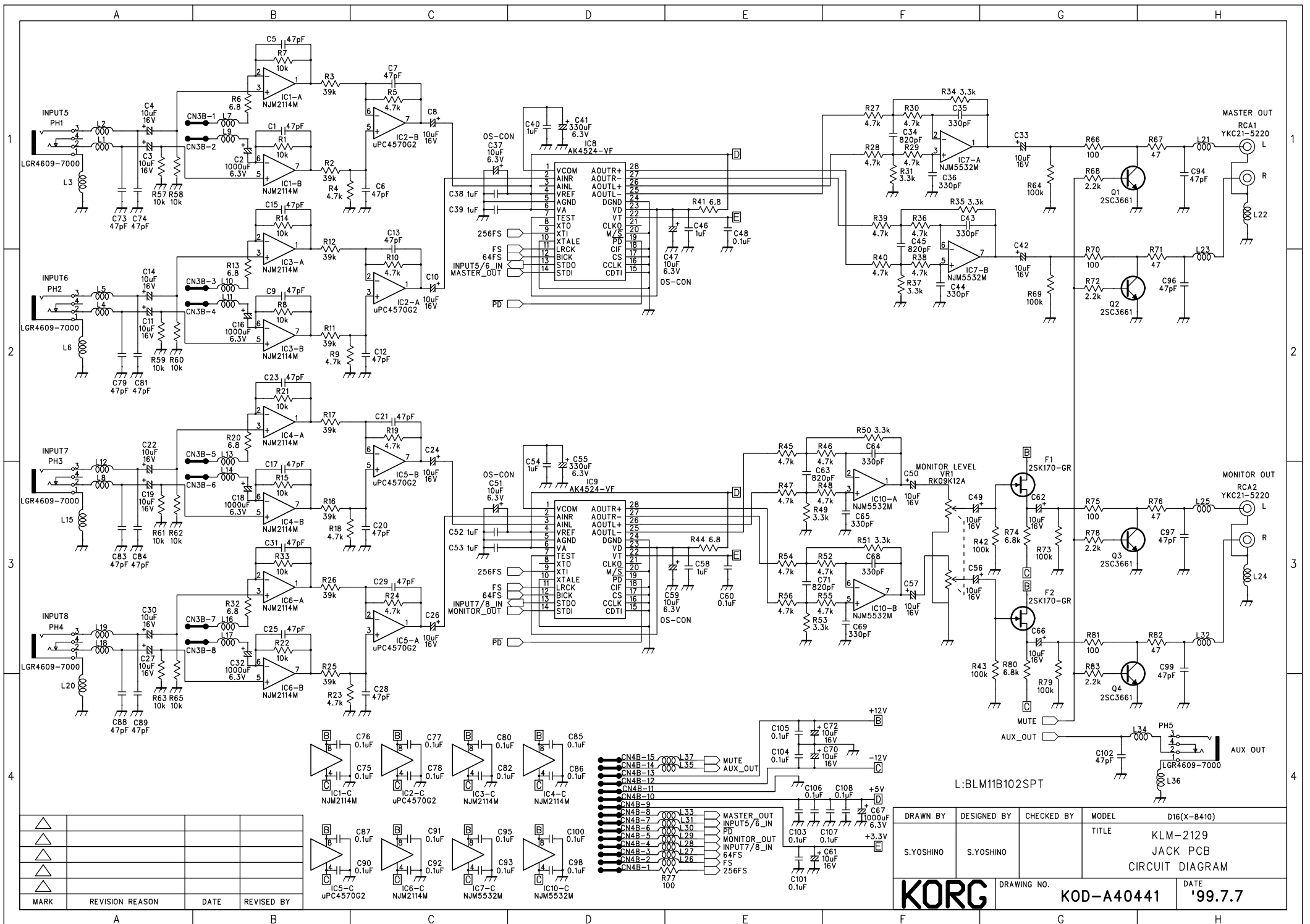
DRAWN & DESIGNED BY: Okhito Asanuma
 CHECKED BY:
 MODEL: DK(X-8410)
 TITLE: KLM-2124,2125,2126 Digital Circuit
 DRAWING NO.: KOD-A20237
 DATE: '99.9.1

KORG



MARK	REVISION	REASON	DATE	REVISED BY

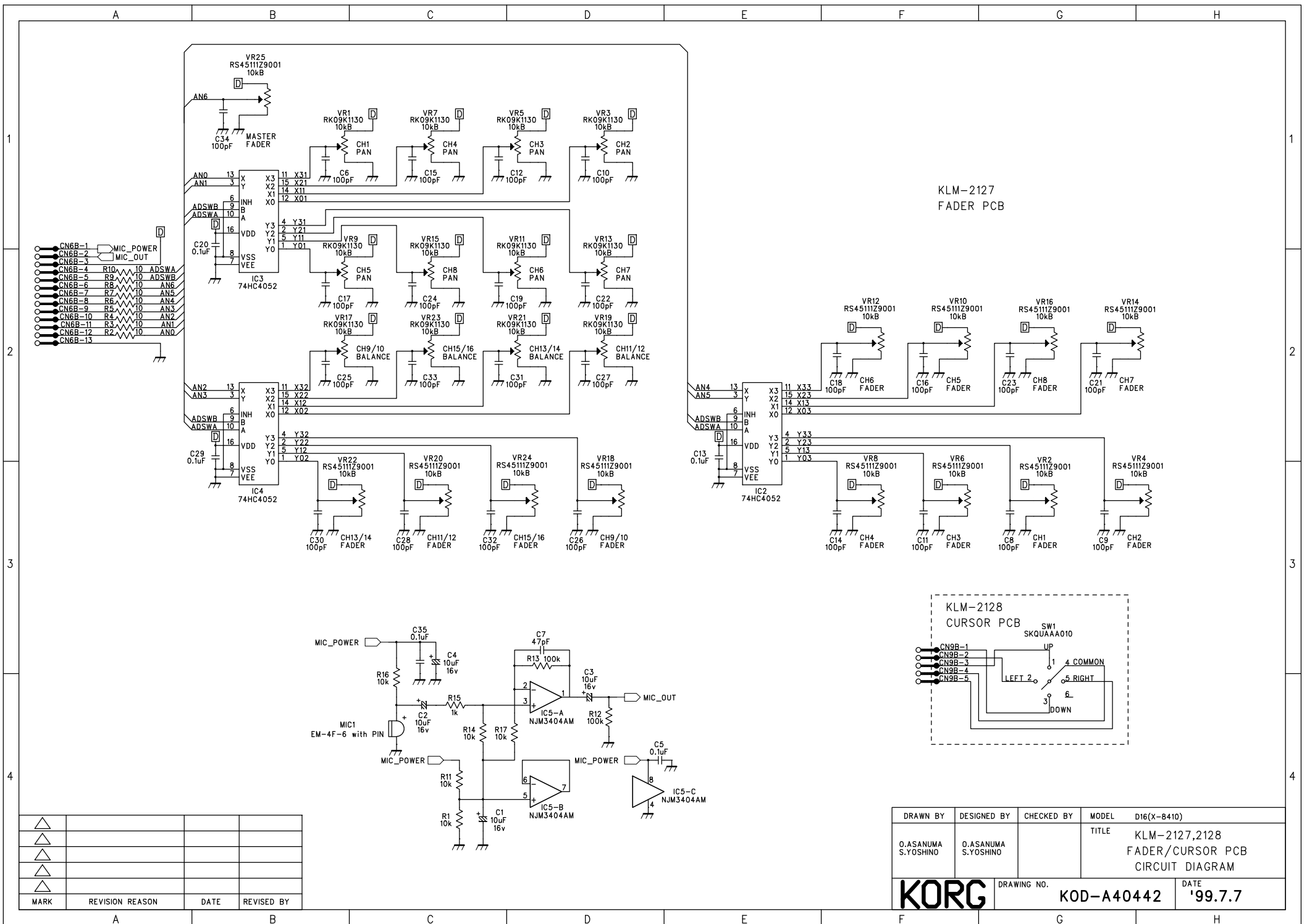
DRAWN BY	DESIGNED BY	CHECKED BY	MODEL
D.ASANUMA	S.YOSHINO	O.ASANUMA	DIE(C-8410)
TITLE			DATE
KLM-2124,2125,2126			'99.9.1
Analog Circuit			
DRAWING NO.		KOD-A20238	
KORG			



△			
△			
△			
△			
MARK	REVISION REASON	DATE	REVISED BY

CN4B-15	000	L37	MUTE
CN4B-14	000	L35	AUX_OUT
CN4B-13	000		
CN4B-12	000		
CN4B-11	000	L33	MASTER_OUT
CN4B-8	000	L31	INPUTS/6_IN
CN4B-7	000	L30	PD
CN4B-6	000	L29	MONITOR_OUT
CN4B-5	000	L28	INPUT7/8_IN
CN4B-4	000	L27	FS
CN4B-3	000	L26	64FS
CN4B-2	000	L25	256FS
CN4B-1	000	L24	

DRAWN BY	DESIGNED BY	CHECKED BY	MODEL	D16(X-B410)
S.YOSHINO	S.YOSHINO		TITLE	KLM-2129 JACK PCB CIRCUIT DIAGRAM
DRAWING NO.			KOD-A40441	DATE
KORG				'99.7.7



△			
△			
△			
△			
MARK	REVISION	REASON	DATE
			REVISED BY

DRAWN BY	DESIGNED BY	CHECKED BY	MODEL	D16(X-8410)
O.ASANUMA S.YOSHINO	O.ASANUMA S.YOSHINO		TITLE	KLM-2127,2128 FADER/CURSOR PCB CIRCUIT DIAGRAM
KORG		DRAWING NO.	KOD-A40442	
		DATE	'99.7.7	

PART CODE	PART NAME	NOTE	Q'ty
001212400	PCB ASSY KLM-2124/5/6/9 D16	D16 M.PART	1
001212700	PCB ASSY KLM-2127/28 D16	D16 M.PART	1
304000070	TR 2SA812-T1B (M5-7) (TS)	KLM-2124/5/6/9	19
304020230	TR 2SC3661-TA/TB(3K) (TS)	KLM-2124/5/6/9	9
304050140	DIGITAL TR DTC114EKA T146 (TS)	KLM-2124/5/6/9	9
304050150	DIGITAL TR DTA114EKA T146 (TS)	KLM-2124/5/6/9	4
304060070	FET 2SK433-T12-1C (TS)	KLM-2124/5/6/9	1
304060140	FET 2SK170-GR (TPE2) (TR)	KLM-2124/5/6/9	2
304060200	FET 2SK1772HYTR(TS)	KLM-2124/5/6/9	1
304060210	FET 2SJ278MYTR(TS)	KLM-2124/5/6/9	1
304060240	FET FSS104-TL(TS)	KLM-2124/5/6/9	1
312051600	LED SLP-190B-51	KLM-2124/5/6/9	5
312052300	LED SLP-290B-51	KLM-2124/5/6/9	2
312052400	LED SLP-581D-51	KLM-2124/5/6/9	16
313005200	LCD DG-24064-2-S1MBLY-H318-50	D16 M.PART	1
314001800	DIODE 1SS355 TE-17 (TS)	KLM-2124/5/6/9	29
314030300	LED CL-200HR-C-TU(TS)	KLM-2124/5/6/9	13
314030400	SCHOTTKT DIODE MBRS340T3(TS)	KLM-2124/5/6/9	2
314030500	SCHOTTKY DIODE RB160L-40TE25	KLM-2124/5/6/9	1
314030600	DIODE 1SR154-400TE25(TS)	KLM-2124/5/6/9	10
315000500	DOUBLE DIODE MC-2840-T12-1	KLM-2124/5/6/9	13
315000600	DOUBLE DIODE MC2838-T12-1 (TS)	KLM-2124/5/6/9	23
320001261	IC UPD71055GB-10-3B4 (S)	KLM-2124/5/6/9	1
320004663	IC HD64F7045F28(S) BLANK	KLM-2124/5/6/9	1
320005020	IC LC89055W-RA8(S)	KLM-2124/5/6/9	1
320011026	IC M5216L-600Y	KLM-2124/5/6/9	1
320012215	IC MB86604LPFV-G-BND (S)	KLM-2124/5/6/9	1
320012251	IC MB87L1150PFV-G-BND(S)	KLM-2124/5/6/9	1
320040055	IC MX29F1610MC10C5	KLM-2124/5/6/9	1
324001015	IC UPC4570G2-E2 (TS)	KLM-2124/5/6/9	6
324003004	IC TC7S08F (TE85L) (TS)	KLM-2124/5/6/9	1
324003010	IC TC7WU04F TE12L (TS)	KLM-2124/5/6/9	1
324003018	IC TC4W53F (TE12L) (TS)	KLM-2124/5/6/9	6
324003042	IC TC7W04F (TE12L) (TS)	KLM-2124/5/6/9	1
324004003	IC HD74HC139FPEL (TS)	KLM-2124/5/6/9	1
324004016	IC HD74HC14FPEL (TS)	KLM-2124/5/6/9	1
324004024	IC HD74HC74FPEL (TS)	KLM-2124/5/6/9	1
324004041	IC HD74HC123AFPEL (TS)	KLM-2124/5/6/9	1
324004042	IC HD74HC125FPEL (TS)	KLM-2124/5/6/9	1
324004050	IC HD74HC138FPEL (TS)	KLM-2124/5/6/9	4
324004165	IC HD74HC4040FPEL (TS)	KLM-2124/5/6/9	1
324004167	IC HD74HC4052FPEL (TS)	KLM-2127/8 D16	3
324004176	IC HD74HC05FPEL (TS)	KLM-2124/5/6/9	1
324007005	IC BA05FP-E2 (TS)	KLM-2124/5/6/9	1
324009002	IC NJM5532M-T1 (TS)	KLM-2124/5/6/9	2
324009004	IC NJM78L05UA-TE1 (TS)	KLM-2124/5/6/9	1
324009048	IC NJM2114M-TE2 (TS)	KLM-2124/5/6/9	8

PART CODE	PART NAME	NOTE	Q'ty
324009051	IC NJM78M12DLA-TE1(TS)	KLM-2124/5/6/9	1
324009052	IC NJM79M12DLA-TE1(TS)	KLM-2124/5/6/9	1
324009053	IC NJM3404AM-TE1(TS)	KLM-2127/8 D16	1
324009053	IC NJM3404AM-TE1(TS)	KLM-2124/5/6/9	4
324011002	IC M5223FP-600C (TS	KLM-2124/5/6/9	1
324011012	IC M51953BFP-600C (TS	KLM-2124/5/6/9	1
324012016	IC MB81V17805A-60PFTN-E-EF(TS	KLM-2124/5/6/9	2
324013018	IC PQ3TZ53U(TS)	KLM-2124/5/6/9	1
324018007	IC AK4524-VF-E2(TS)	KLM-2124/5/6/9	4
324021017	IC SN74LV00ANS-EL(TS)	KLM-2124/5/6/9	1
324021018	IC SN74LVU04ANS-EL(TS)	KLM-2124/5/6/9	1
324023007	IC S-8520F50MC-B0J-T2(TS)	KLM-2124/5/6/9	1
324036010	IC REG1118-2.85/2K5(TS)	KLM-2124/5/6/9	1
324037005	IC HY51V18164CTC-60-TE1(TS)	KLM-2124/5/6/9	2
324039003	IC KM48C2104CK-6T/L6T(TS)	KLM-2124/5/6/9	2
330002300	OPTICAL TRANSMITTER TOTX173	KLM-2124/5/6/9	1
330002400	OPTICAL RECIEVER TORX173	KLM-2124/5/6/9	1
334000600	PHOTO COUPLER PC-410K	KLM-2124/5/6/9	1
335011000	X'TAL OSC CA-301 20.00MHZ	KLM-2124/5/6/9	1
335011400	X'TAL OSC CA-301 7MHZ	KLM-2124/5/6/9	1
335011500	X'TAL OSC CA-301 22.5792MHZ	KLM-2124/5/6/9	1
335011600	X'TAL OSC CA-301 12.288MHZ	KLM-2124/5/6/9	1
362009019	VR RK09K113012Y	KLM-2127/8 D16	12
362009020	VR RK09K12A0A0N	KLM-2124/5/6/9	1
362009021	VR RK09K1110D1A	KLM-2124/5/6/9	4
362009022	VR RK09K1130D18	KLM-2124/5/6/9	4
362009023	VR RK09K1110AB2	KLM-2124/5/6/9	1
362009024	VR RK09K12C0A8H	KLM-2124/5/6/9	1
365009900	SVR RS45111Z9001	KLM-2127/8 D16	13
370004500	REC EC16B242041S	KLM-2124/5/6/9	1
373009300	SLIDE SW ESD-11V121	KLM-2124/5/6/9	1
373009600	SLIDE SW SSSS924800(G2908068M)	KLM-2124/5/6/9	1
374000900	TSW SKQMALE010(G2900717M):TS	KLM-2124/5/6/9	43
375015000	TSW SKQUAAA010 (G2935243M)	KLM-2127/8 D16	1
402004600	COIL 2943-666673	KLM-2124/5/6/9	4
402006200	COIL C10-FR/33331 22UH(TR)	KLM-2124/5/6/9	1
402400400	COIL C8-E/33331 10UH	KLM-2124/5/6/9	1
404000560	CHIP COIL LEM3225T470K (TS	KLM-2124/5/6/9	1
404001070	CHIP COIL BLM11B102SPT:T	KLM-2124/5/6/9	90
405010700	AC-AC ADAPTER KA141	D16 JP M.PART	1
405010800	AC-AC ADAPTER KA143	D16 US M.PART	1
405010800	AC-AC ADAPTER KA143	D16 CN M.PART	1
405010800	AC-AC ADAPTER KA143	D16 EX M.PART	1
405010900	AC-AC ADAPTER KA149	D16 WG M.PART	1
405010900	AC-AC ADAPTER KA149	D16 GE M.PART	1
405010900	AC-AC ADAPTER KA149	D16 UK M.PART	1
405010900	AC-AC ADAPTER KA149	D16 FR M.PART	1

PART CODE	PART NAME	NOTE	Q'ty
405011000	AC-AC ADAPTER KA145	D16 AU M.PART	1
415000900	MIC EM-4F-6	KLM-2127/8 D16	1
415004000	TOUCH PANEL KGJ-02-2D	D16 M.PART	1
435002300	2.5 INCH HDD MK2110MAT	D16 M.PART	1
450001600	PHONE JACK SG-4617#01	KLM-2124/5/6/9	1
450003100	PHONE JACK LGR4609-7000	KLM-2124/5/6/9	10
454010000	PIN JACK YKC21-5220	KLM-2124/5/6/9	2
454011700	DIN CONNECTOR TCS5073-24-4151	KLM-2124/5/6/9	1
464062501	FUSE 250V T3.15A 195-3.15A	D16 M.PART	1
471070301	CONNECTOR TOP B3B-PH-K-S (U)	KLM-2124/5/6/9	2
471070501	CONNECTOR TOP B5B-PH-K-S (U)	KLM-2124/5/6/9	2
471070801	CONNECTOR TOP B8B-PH-K-S (U)	KLM-2124/5/6/9	1
471071301	CONNECTOR TOP B13B-PH-K-S (U)	KLM-2124/5/6/9	1
471071501	CONNECTOR TOP B15B-PH-K-S (U)	KLM-2124/5/6/9	1
474022900	D-SUB CONNECTOR 1210-012-25S	KLM-2124/5/6/9	1
474023000	CONNECTOR 20P 5332-20T2	KLM-2124/5/6/9	1
474029200	CONNECTOR NCJ6FI-H-0	KLM-2124/5/6/9	2
474029300	CONNECTOR 5597-16CPB	KLM-2124/5/6/9	1
474029400	CONNECTOR A3 44DA-2DS	KLM-2124/5/6/9	1
475002832	HARNESS HNS-2832	D16 M.PART	1
475002833	HARNESS HNS-2833 BOARDIN	KLM-2124/5/6/9	1
475002834	HARNESS HNS-2834 BOARDIN	KLM-2124/5/6/9	1
475002835	HARNESS HNS-2835	D16 M.PART	1
475002836	HARNESS HNS-2836 BOARDIN	KLM-2127/8 D16	1
475002837	HARNESS HNS-2837 BOARDIN	KLM-2124/5/6/9	2
475002838	HARNESS HNS-2838 BOARDIN	KLM-2127/8 D16	1
480010430	DIN SOCKET M1781-A	KLM-2124/5/6/9	1
500032100	X-8410 RUBBER FOOT KOC-F40891	D16 M.PART	4
515400100	FUSE HOLDER CNT47-0003A(TR)	KLM-2124/5/6/9	2
550018100	X-8410 TOUCH PANEL TAPE F40892	D16 M.PART	2
575018600	LED SPACER LH-36-17.5	KLM-2124/5/6/9	16
575018700	LED SPACER LH-5S-4	KLM-2124/5/6/9	7
575018800	LED HOLDER LF-12	KLM-2124/5/6/9	7
620033100	SLIDER KNOB P772-FO	D16 M.PART	12
620036200	X-8410 RUBBER KEY-R (31KEY)	D16 M.PART	1
620036300	X-8410 RUBBER KEY-L (12KEY)	D16 M.PART	1
620036400	X610 R.ENCODER KNOB(DARK GLAY)	D16 M.PART	1
620036500	X-8410 VR KNOB KOC-E40487	D16 M.PART	12
620036600	X-8410 TRIM KNOB1 KOC-E40486-1	D16 M.PART	4
620036700	X-8410 TRIM KNOB2 KOC-E40486-2	D16 M.PART	1
620036800	X-8410 CURSOR KEY KOC-E40485	D16 M.PART	1
620037200	KNOB P772 (RED/BLACK)	D16 M.PART	1
620037700	X-8410 MIC RUBBER KOC-F40893	D16 M.PART	1
630031300	X-8410 SHIELD SHEET KOC-F30079	D16 M.PART	1
630031400	X-8410 ISOLATION SHEET F30080	D16 M.PART	1
641041436	GND PLATE M1866-A	D16 M.PART	4
641041552	X-8410 LCD METAL FITTING	D16 M.PART	2

PART CODE	PART NAME	NOTE	Q'ty
641041553	X-8410 XLR METAL FITTING	D16 M.PART	1
641041570	X-8410 KORG PLATE KOC-C41155	D16 M.PART	1
644009000	X-8510 GND SPRING(K) KOC-C4116	D16 M.PART	3
646071900	X-8410 UPPER CASE KOC-E10171	D16 M.PART	1
646072200	X-8410 LOWER CASE KOC-E10172	D16 M.PART	1