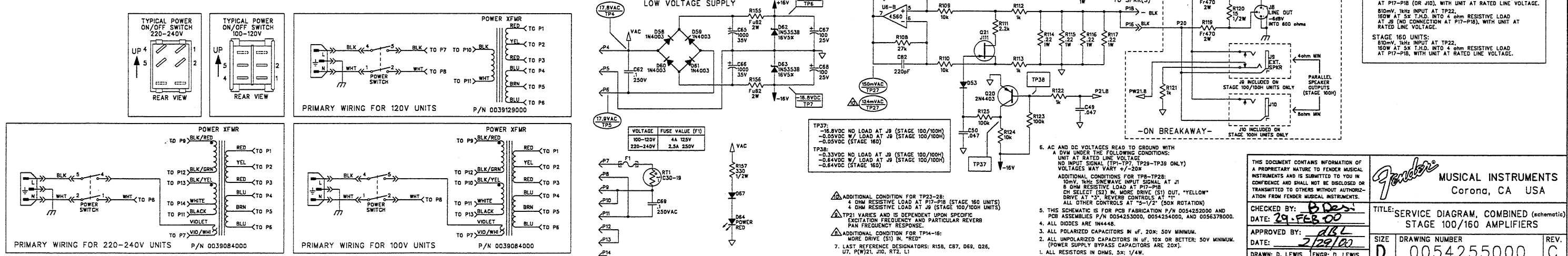
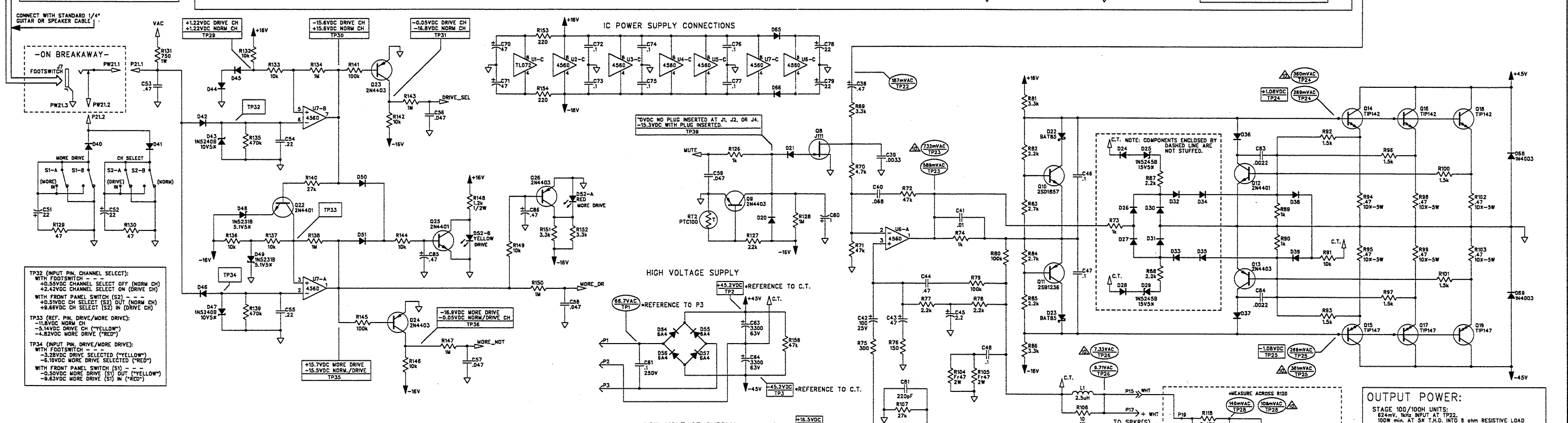
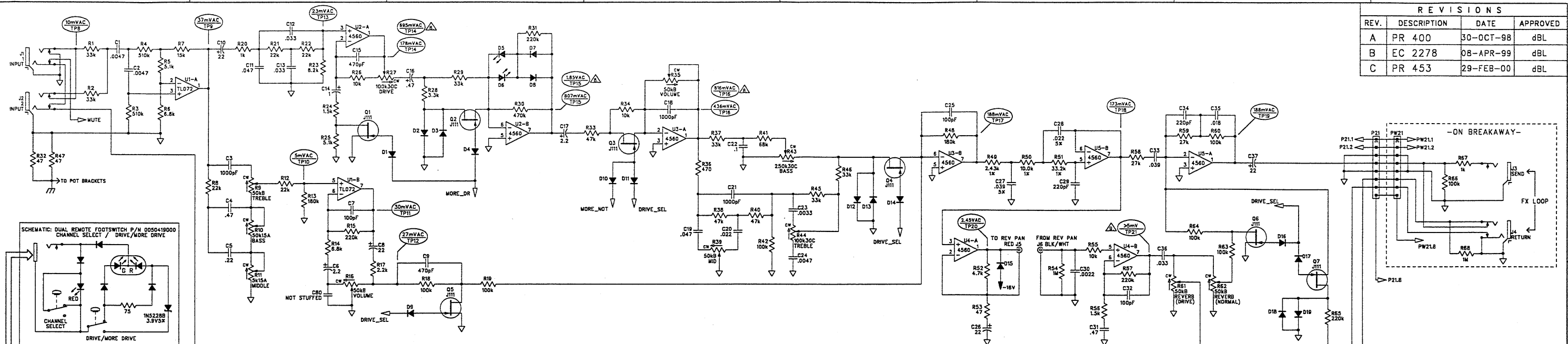


REVISIONS			
REV.	DESCRIPTION	DATE	APPROVED
A	PR 400	30-OCT-98	dBL
B	EC 2278	08-APR-99	dBL
C	PR 453	29-FEB-00	dBL



OUTPUT POWER:

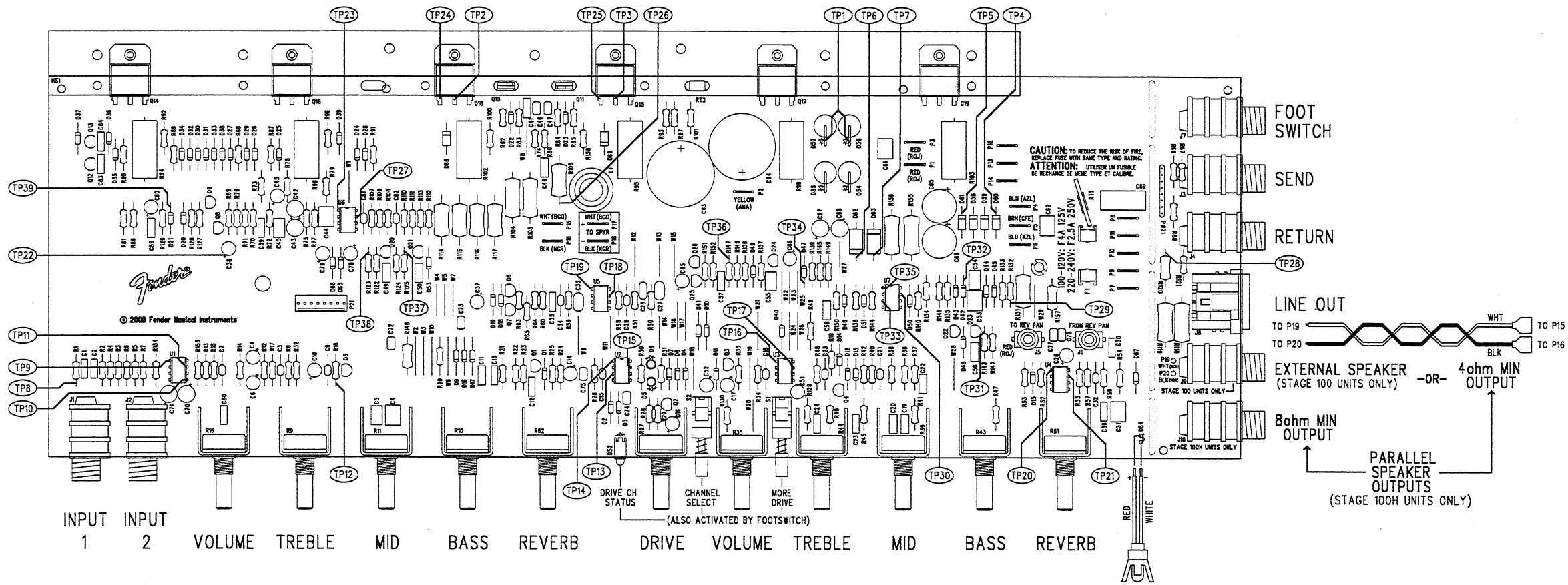
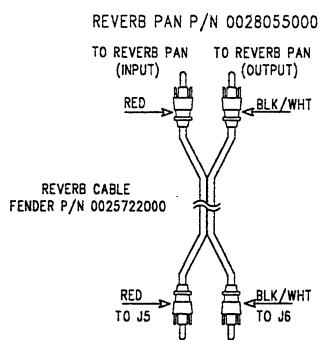
STAGE 100/100H UNITS:
 624mV, 1kHz INPUT AT TP22,
 100mV MIN. AT 5X T.H.D. INTO 8 ohm RESISTIVE LOAD
 AT P17-P18 (OR J10), WITH UNIT AT RATED LINE VOLTAGE.
 810mV, 1kHz INPUT AT TP22,
 150W AT 5X T.H.D. INTO 4 ohm RESISTIVE LOAD
 AT J9 (NO CONNECTION AT P17-P18), WITH UNIT AT
 RATED LINE VOLTAGE.

STAGE 160 UNITS:
 810mV, 1kHz INPUT AT TP22,
 150W AT 5X T.H.D. INTO 4 ohm RESISTIVE LOAD
 AT P17-P18, WITH UNIT AT RATED LINE VOLTAGE.

THIS DOCUMENT CONTAINS INFORMATION OF A PROPRIETARY NATURE TO FENDER MUSICAL INSTRUMENTS AND IS SUBMITTED TO YOU IN CONFERENCE AND SHALL NOT BE DISCLOSED OR TRANSMITTED TO OTHERS WITHOUT AUTHORIZATION FROM FENDER MUSICAL INSTRUMENTS.			
CHECKED BY: <i>[Signature]</i>		TITLE: SERVICE DIAGRAM, COMBINED (schematic)	
DATE: 29 FEB 00		STAGE 100/160 AMPLIFIERS	
APPROVED BY: <i>[Signature]</i>		DATE: 2/29/00	
DRAWN: D. LEWIS		ENGR: D. LEWIS	
DATABASE FILE: 2400S.SCH		RELEASE DATE: 30-OCT-98	
SIZE: D		DRAWING NUMBER: 0054255000	
REV. C		SHEET: 1 OF 2	

Fender MUSICAL INSTRUMENTS
 Corona, CA USA

REVISIONS			
REV.	DESCRIPTION	DATE	APPROVED
A	PR 400	28-OCT-98	dBL
B	EC 2278	08-APR-99	dBL
C	PR 453	29-FEB-99	dBL



Fender
© 2000 Fender Musical Instruments

FILE/DWG: SERVICE DIAGRAM
DATABASE: Z400P.PCB DATE: 29-FEB-00

1. SEE SHEET 1 FOR PRIMARY WIRING, TEST CONDITIONS, TEST POINT VALUES, AND STUFFING DIFFERENCES BETWEEN MODELS.
NOTES: (UNLESS OTHERWISE NOTED)

THIS DOCUMENT CONTAINS INFORMATION OF A PROPRIETARY NATURE TO FENDER MUSICAL INSTRUMENTS AND IS SUBMITTED TO YOU IN CONFIDENCE AND SHALL NOT BE DISCLOSED OR TRANSMITTED TO OTHERS WITHOUT AUTHORIZATION FROM FENDER MUSICAL INSTRUMENTS.		Fender MUSICAL INSTRUMENTS Corona, CA U.S.A.	
CHECKED BY: <i>DL</i>	DATE: <i>02-MAR-00</i>	TITLE: SERVICE DIAGRAM, COMBINED (PCB assy) STAGE 100/160 AMPLIFIERS	
APPROVED BY: <i>dBL</i>	DATE: <i>3/2/00</i>	SIZE: D	DRAWING NUMBER: 0054255000
DRAWN: D. LEWIS	ENGR: D. LEWIS	RELEASE DATE: 30-OCT-98	REV. C
DATABASE FILE: Z400P.PCB		SHEET 2 OF 2	