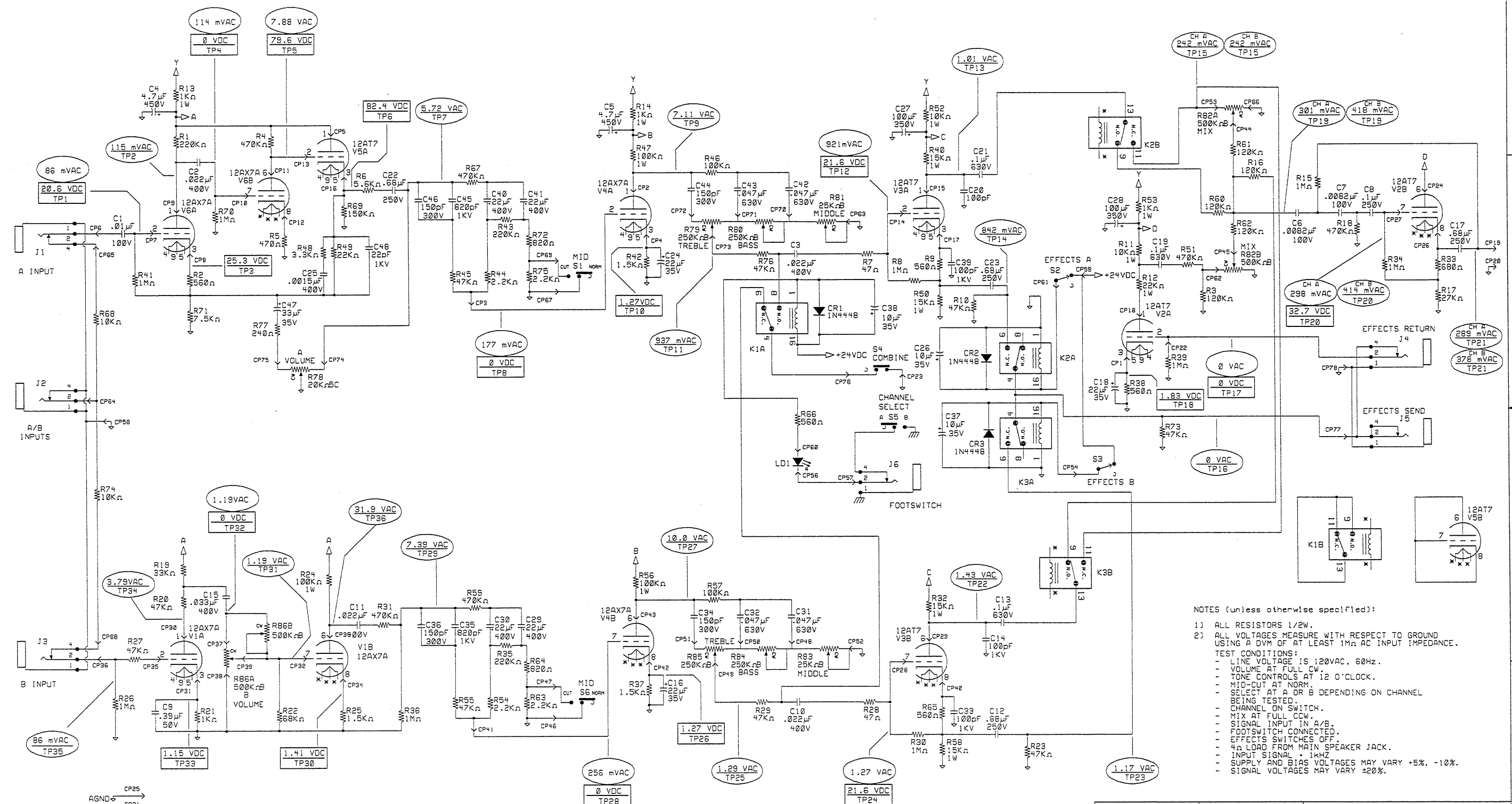


REVISIONS				
ZONE	REV.	DESCRIPTION	DATE	APPROVED
	A	RELEASED, CSR 10	6/21/95	EH
	B	EC1633	1/16/96	FM
	C	ECLO3213	4/28/96	FM



NOTES (unless otherwise specified):

- 1) ALL RESISTORS 1/2W.
- 2) ALL VOLTAGES MEASURE WITH RESPECT TO GROUND USING A DVM OF AT LEAST 1MΩ AC INPUT IMPEDANCE.

TEST CONDITIONS:

- LINE VOLTAGE IS 120VAC, 60Hz.
- VOLUME AT FULL CW.
- TONE CONTROLS AT 12 O'CLOCK.
- MID-CUT AT NORM.
- SELECT AT A OR B DEPENDING ON CHANNEL BEING TESTED.
- CHANNEL ON SWITCH.
- MIX AT FULL CW.
- SIGNAL INPUT IN A/B.
- FOOTSWITCH CONNECTED.
- EFFECTS SWITCHES OFF.
- 4Ω LOAD FROM MAIN SPEAKER JACK.
- INPUT SIGNAL - 1kHz.
- SUPPLY AND BIAS VOLTAGES MAY VARY +5%, -10%.
- SIGNAL VOLTAGES MAY VARY ±20%.

LAST INSTANCES:
C48, CP78, CR3, J6, K3, LD1, R86, S6, TP37, V6

DATABASE FILE: RUMBLE1.DBF CHECKED BY: <i>MC</i> DATE: <i>6-5-96</i> APPROVED: <i>[Signature]</i> DATE: <i>5-30-96</i>	PROPRIETARY THIS DRAWING DOCUMENT CONTAINS INFORMATION WHICH IS PROPRIETARY TO AND IS THE PROPERTY OF THE FENDER MUSICAL INSTRUMENTS CO. AND MAY NOT BE USED, REPRODUCED OR DISCLOSED IN ANY MANNER WITHOUT THE EXPRESS WRITTEN CONSENT FROM: FENDER MUSICAL INSTRUMENTS CO. REGIONAL HEADQUARTERS 2621 RESEARCH DRIVE CORONA, CA 91728 USA	FENDER MUSICAL INSTRUMENTS 2621 Research Drive Corona, CA 91720 USA TITLE: RUMBLE BASS PRE AMPLIFIER SIZE: D DRAWN: F. MATRO DRAWING NUMBER: 048406 REV.: C ENGR: M. COZZA CREATED: 16-JAN-95 PLOTTED: 03-MAY-96 SHEET 1 OF 1
---	--	---

8

7

6

5

4

3

2

1

REVISIONS				
ZONE	REV.	DESCRIPTION	DATE	APPROVED
A		RELEASED, CSR 10	6/21/95	EH
B		EC 1633	1/16/96	FM
C		ECL03213	4/28/96	FM

D

D

C

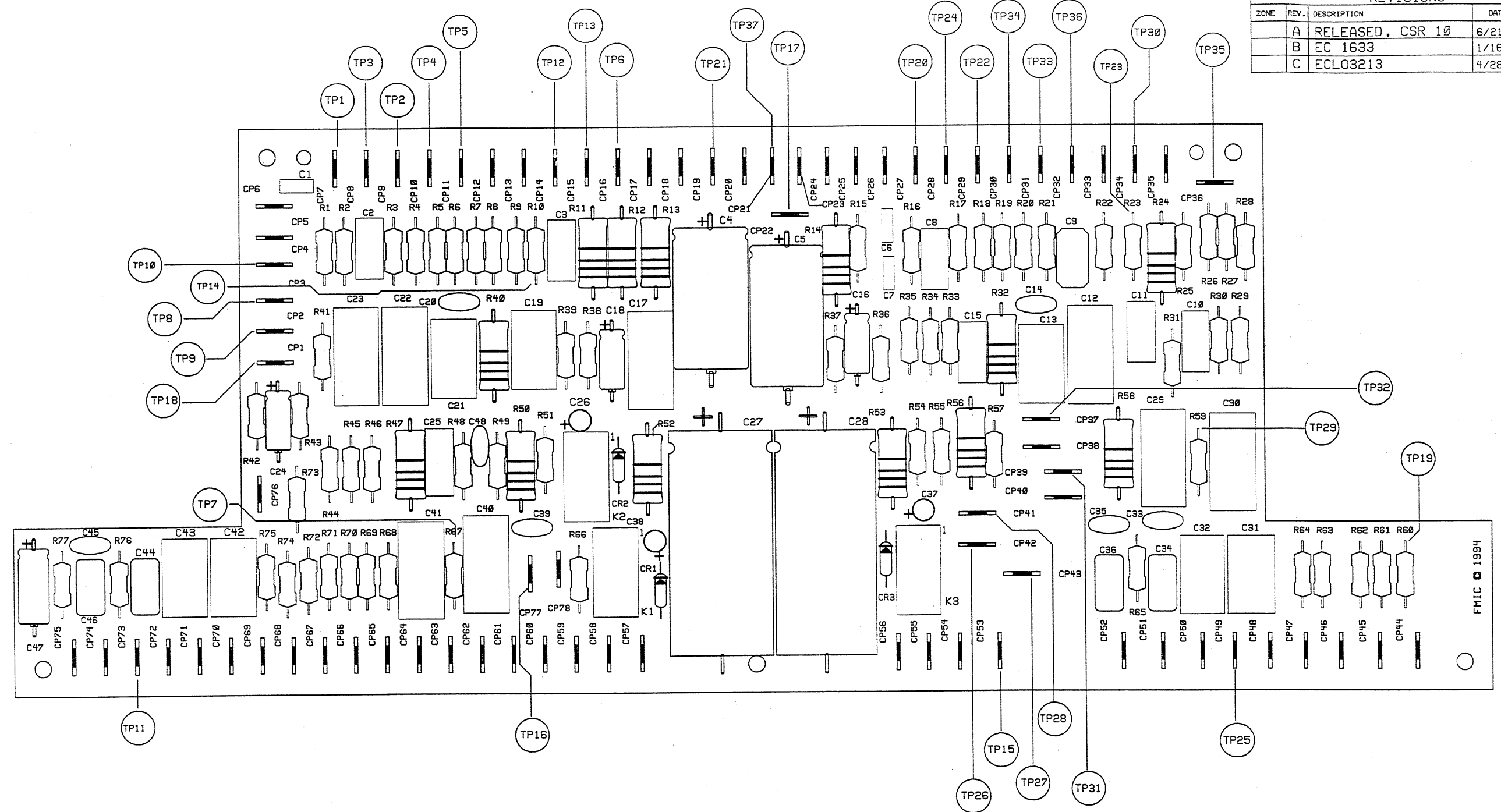
C

B

B

A

A



FILM/DWG : SERVICE DIAGRAM
 DATABASE : RUM1P.DBF DATE : 08-APR-97
 LAYERS PLOTTED : 1 2 3 4 10
 18 19

DATABASE FILE: RUM1P.DBF	PROPRIETARY THIS DRAWING DOCUMENT CONTAINS INFORMATION WHICH IS PROPRIETARY TO AND IS THE PROPERTY OF THE FENDER MUSICAL INSTRUMENTS CO. AND MAY NOT BE USED, REPRODUCED OR DISCLOSED IN ANY MANNER WITHOUT THE EXPRESSED WRITTEN CONSENT FROM: FENDER MUSICAL INSTRUMENTS CO. 1130 COLUMBIA ST. BREA, CALIFORNIA 92621 MEXICO	Fender MUSICAL INSTRUMENTS 2621 Research Drive Corona, CA 91720 USA
CHECKED BY:		TITLE: RUMBLE BASS - PRE. AMP. SERVICE DIAGRAM
DATE:		SIZE: DRAWN: F. MATRO DRAWING NUMBER: 048408 REV. C
APPROVED:		ENGR: F. MATRO
DATE:		NEXT HIGHER ASSEMBLY: RUMBLE BASS
TOLERANCES: UNLESS OTHERWISE NOTED X.X .050" X.XX .010" X.XXX .005" ANGLES .5000"		SCALE: CREATED: 10-JAN-95 PLOTTED: 08-APR-97 SHEET 1 OF 1

8

7

6

5

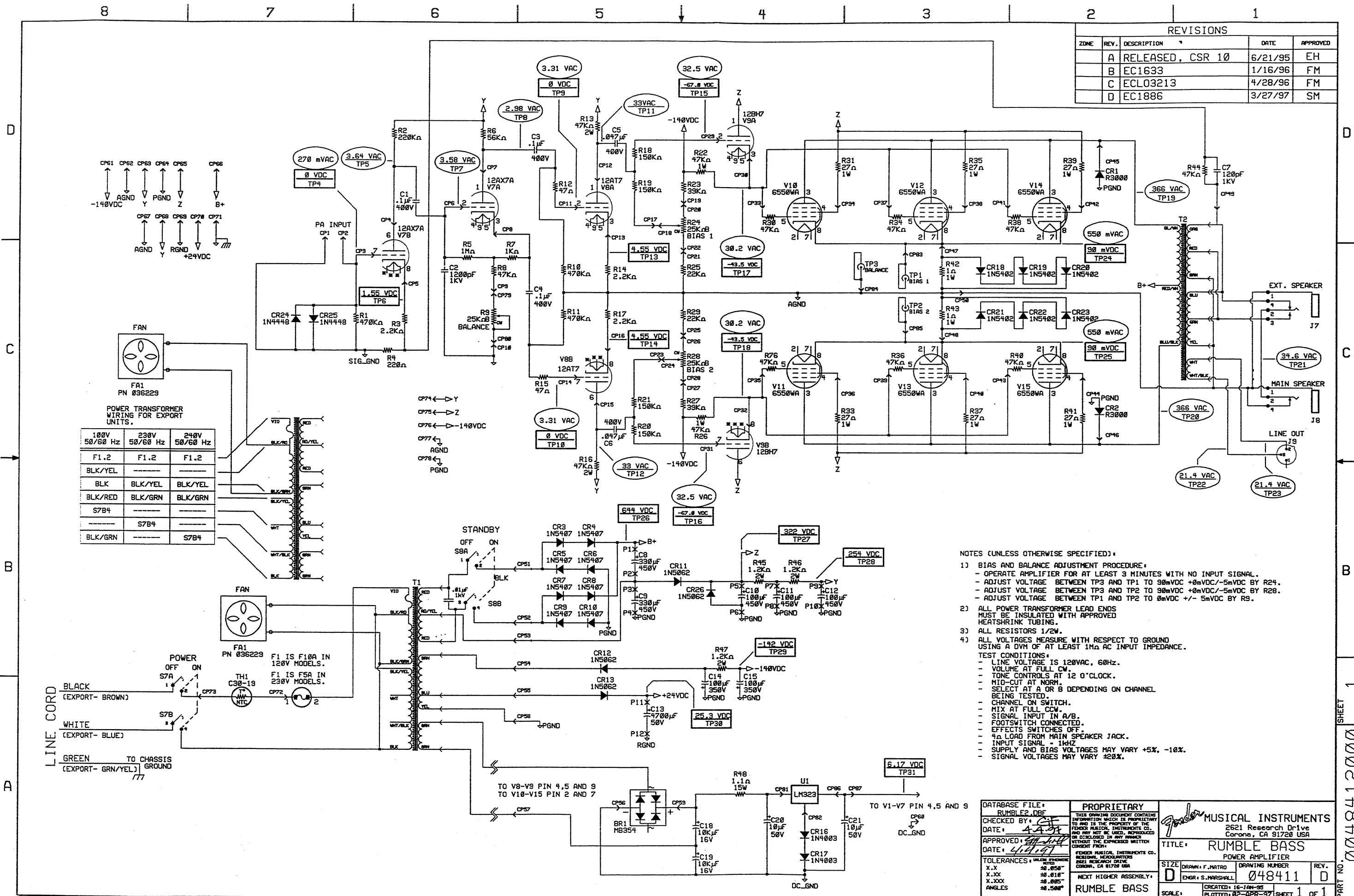
4

3

2

1

REVISIONS				
ZONE	REV.	DESCRIPTION	DATE	APPROVED
	A	RELEASED, CSR 10	6/21/95	EH
	B	EC1633	1/16/96	FM
	C	ECL03213	4/28/96	FM
	D	EC1886	3/27/97	SM



POWER TRANSFORMER WIRING FOR EXPORT UNITS.

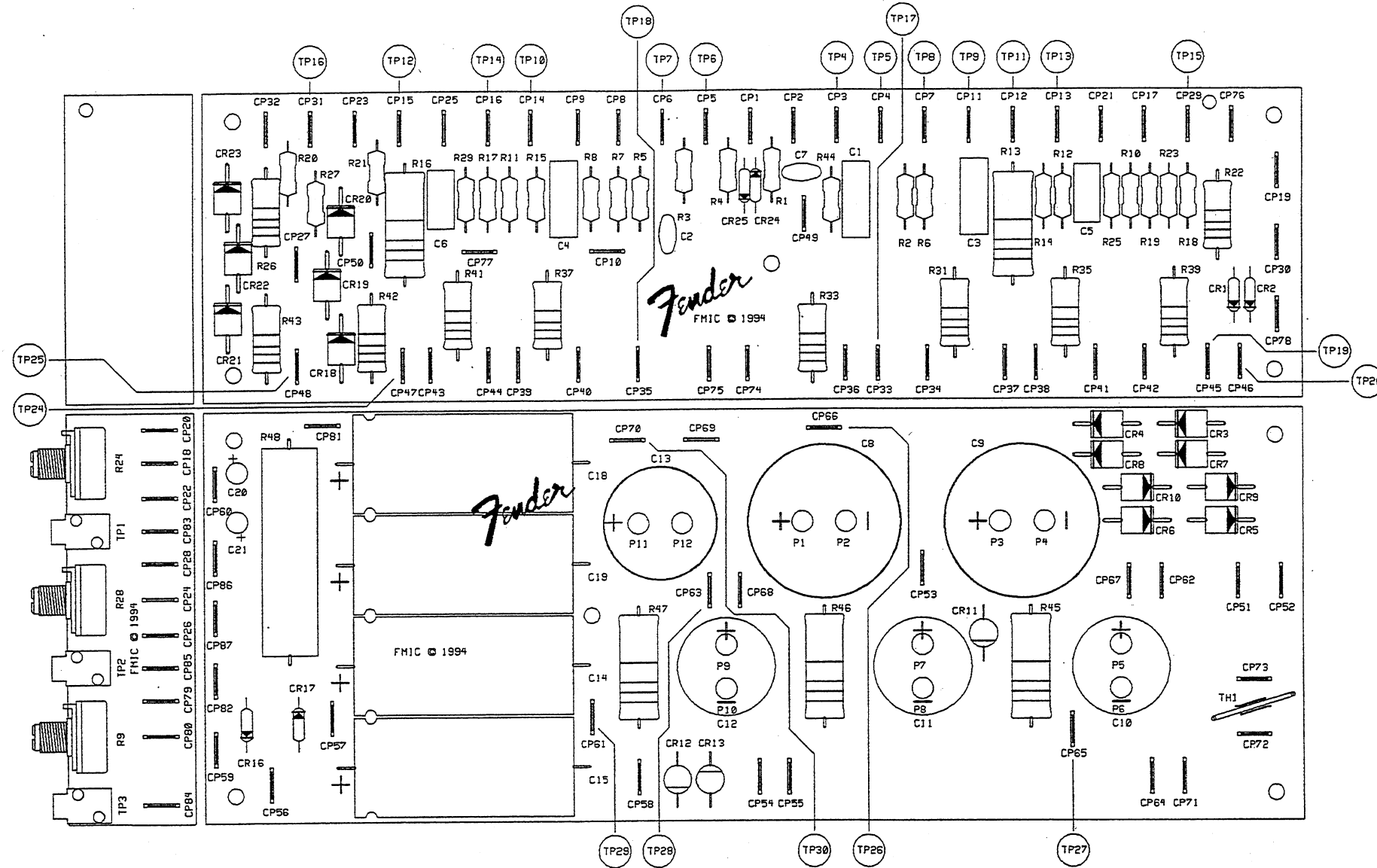
100V 50/60 Hz	230V 50/60 Hz	240V 50/60 Hz
F1.2	F1.2	F1.2
BLK/YEL	---	---
BLK	BLK/YEL	BLK/YEL
BLK/RED	BLK/GRN	BLK/GRN
S7B4	---	---
---	S7B4	---
BLK/GRN	---	S7B4

- NOTES (UNLESS OTHERWISE SPECIFIED):
- BIAS AND BALANCE ADJUSTMENT PROCEDURE:
 - OPERATE AMPLIFIER FOR AT LEAST 3 MINUTES WITH NO INPUT SIGNAL.
 - ADJUST VOLTAGE BETWEEN TP3 AND TP1 TO 30mVDC +0mVDC/-5mVDC BY R24.
 - ADJUST VOLTAGE BETWEEN TP3 AND TP2 TO 30mVDC +0mVDC/-5mVDC BY R28.
 - ADJUST VOLTAGE BETWEEN TP1 AND TP2 TO 0mVDC +/- 5mVDC BY R9.
 - ALL POWER TRANSFORMER LEAD ENDS MUST BE INSULATED WITH APPROVED HEATSHRINK TUBING.
 - ALL RESISTORS 1/2W.
 - ALL VOLTAGES MEASURE WITH RESPECT TO GROUND USING A DVM OF AT LEAST 1MΩ AC INPUT IMPEDANCE.
- TEST CONDITIONS:
- LINE VOLTAGE IS 120VAC, 60Hz.
 - VOLUME AT FULL CW.
 - TONE CONTROLS AT 12 O'CLOCK.
 - MID-CUT AT NORM.
 - SELECT AT A OR B DEPENDING ON CHANNEL BEING TESTED.
 - CHANNEL ON SWITCH.
 - MIX AT FULL CW.
 - SIGNAL INPUT IN A/B.
 - FOOTSWITCH CONNECTED.
 - EFFECTS SWITCHES OFF.
 - 4Ω LOAD FROM MAIN SPEAKER JACK.
 - INPUT SIGNAL - 1kHz.
 - SUPPLY AND BIAS VOLTAGES MAY VARY +5%, -10%.
 - SIGNAL VOLTAGES MAY VARY ±20%.

DATABASE FILE: RUMBLE2.DBF CHECKED BY: DATE: APPROVED: DATE: TOLERANCES: UNLESS OTHERWISE NOTED X.XX ±0.050" X.XXX ±0.010" X.XXXX ±0.005" ANGLES ±0.500°	PROPRIETARY THIS DRAWING DOCUMENT CONTAINS INFORMATION WHICH IS PROPRIETARY TO AND IS THE PROPERTY OF THE FENDER MUSICAL INSTRUMENTS CO. AND MAY NOT BE USED, REPRODUCED OR DISCLOSED IN ANY MANNER WITHOUT THE EXPRESSED WRITTEN CONSENT FROM: FENDER MUSICAL INSTRUMENTS CO. HEADQUARTERS 2621 RESEARCH DRIVE CORONA, CA 91728 USA NEXT HIGHER ASSEMBLY: RUMBLE BASS	FENDER MUSICAL INSTRUMENTS 2621 Research Drive Corona, CA 91728 USA TITLE: RUMBLE BASS POWER AMPLIFIER SIZE: DRAWN: F. MATRO DRAWING NUMBER: REV. D ENGR: S. MARSHALL 048411 D SCALE: CREATED: 16-10-95 PLOTTED: 02-APR-97 SHEET 1 OF 1
--	---	---

PART NO. 0048412000 SHEET 1

REVISIONS				
ZONE	REV.	DESCRIPTION	DATE	APPROVED
	A	RELEASED, CSR 10	6/21/95	



TP21-TP23 DO NOT APPEAR ON THE PCB. THEY ARE FOR SERVICE REFERENCE.

FILM/DWG : SERVICE DIAGRAM
 DATABASE : RUM2P.DBF DATE : 21-JUN-95
 LAYERS PLOTTED : 1 2 3 4 10
 18

DATABASE FILE: RUM2P.DBF	PROPRIETARY	MUSICAL INSTRUMENTS 2621 Research Drive Corona, CA 91720 USA
CHECKED BY:	<small>THIS DRAWING DOCUMENT CONTAINS INFORMATION WHICH IS PROPRIETARY TO AND IS THE PROPERTY OF THE FENDER MUSICAL INSTRUMENTS CO. AND MAY NOT BE USED, REPRODUCED OR DISCLOSED IN ANY MANNER WITHOUT THE EXPRESS WRITTEN CONSENT FROM FENDER MUSICAL INSTRUMENTS CO.</small>	
DATE: 6-27-95	<small>1120 COLLETTA ST. BREA, CALIFORNIA 92621 ROCK ON.</small>	TITLE: RUMBLE BASS - POW. AMP. SERVICE DIAGRAM
TOLERANCES: UNLESS OTHERWISE NOTED	NEXT HIGHER ASSEMBLY: RUMBLE BASS	SIZE: DRAWN: HERRMANN DRAWING NUMBER: 048413 REV: A ENGR: HERRMANN
X.X ±0.050" X.XX ±0.010" X.XXX ±0.005" ANGLES ±0.500°	CREATED: 16-JAN-95 PLOTTED: 21-JUN-95	SCALE: SHEET 1 OF 1