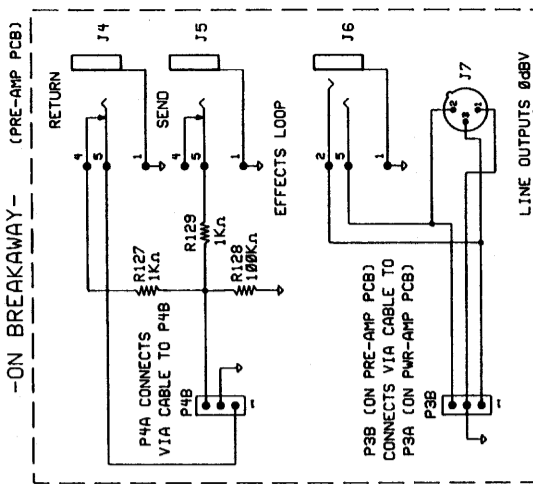
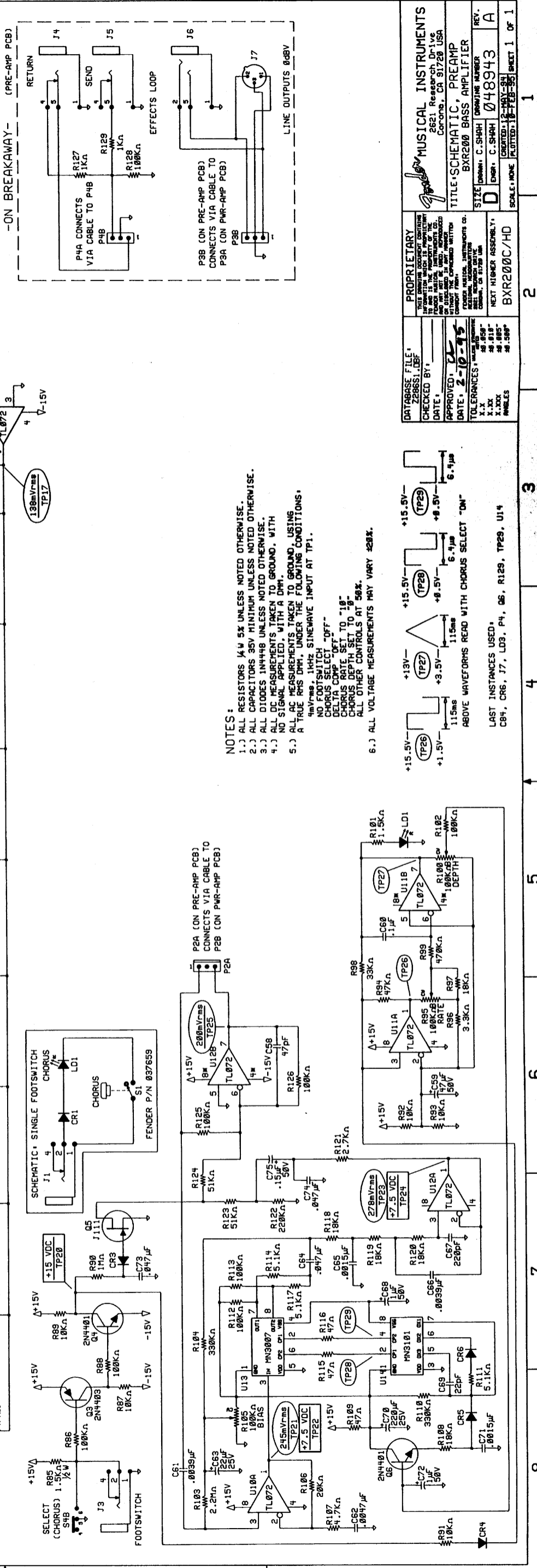
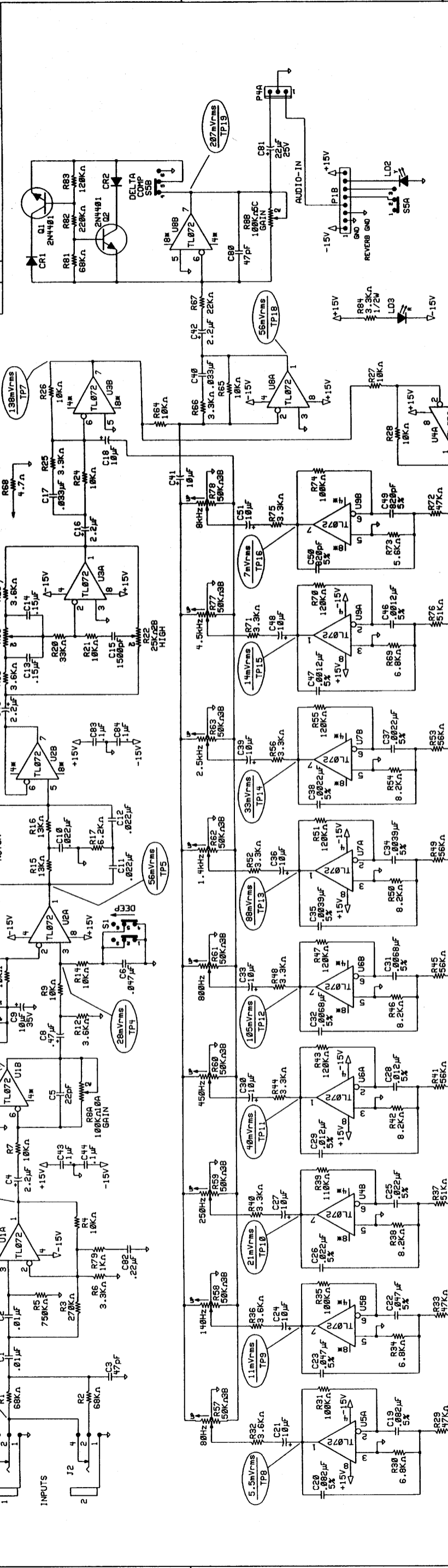


ZONE	REV.	DESCRIPTION	DATE	APPROVED
	A	RELEASED PR286	10-FEB-95	

1	2	3	4	5	6	7	8
---	---	---	---	---	---	---	---



- NOTES:
- 1.) ALL RESISTORS $\pm 5\%$ UNLESS NOTED OTHERWISE.
 - 2.) ALL CAPACITORS 35V MINIMUM UNLESS NOTED OTHERWISE.
 - 3.) ALL DIODES 1N4148 UNLESS NOTED OTHERWISE.
 - 4.) ALL DC MEASUREMENTS TAKEN TO GROUND, WITH NO SIGNAL APPLIED, WITH A DMM.
 - 5.) ALL AC MEASUREMENTS TAKEN TO GROUND, USING $4mV_{rms}$, 1KHZ SINEWAVE INPUT AT TP1.
 - 6.) ALL VOLTAGE MEASUREMENTS MAY VARY $\pm 20\%$.

PROPRIETARY
 INFORMATION WHICH IS PROPRIETARY TO MUSICAL INSTRUMENTS CORPORATION, CA 91720 USA AND MAY NOT BE REPRODUCED OR TRANSMITTED IN ANY FORM OR BY ANY MEANS WITHOUT THE WRITTEN CONSENT OF MUSICAL INSTRUMENTS CORPORATION, CA 91720 USA.

DATABASE FILE: Z286S1.DBF
 CHECKED BY: [Signature]
 DATE: 2-10-95
 APPROVED: [Signature]
 DATE: 2-10-95

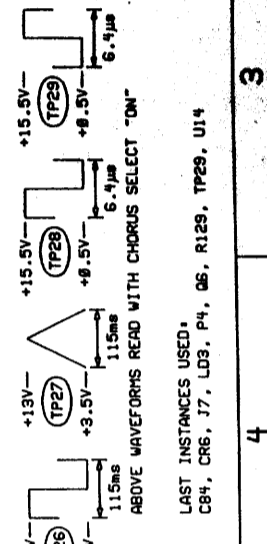
TOLERANCES UNLESS OTHERWISE SPECIFIED:
 X.XX .05%
 X.X .1%
 X .1%
 X .5%
 X .20%

MUSICAL INSTRUMENTS CORPORATION
 2621 Research Drive
 Corona, CA 91720 USA

TITLE: SCHEMATIC, PREAMP
 BXR200 BASS AMPLIFIER

SIZE: [Blank]
 DRAWN: C. SHAH
 ENGINEER: C. SHAH
 CHECKED: [Blank]
 DATE: 12-MAY-94
 CREATING: 10-FEB-95

REV. A
 SCALE: NONE
 SHEET 1 OF 1

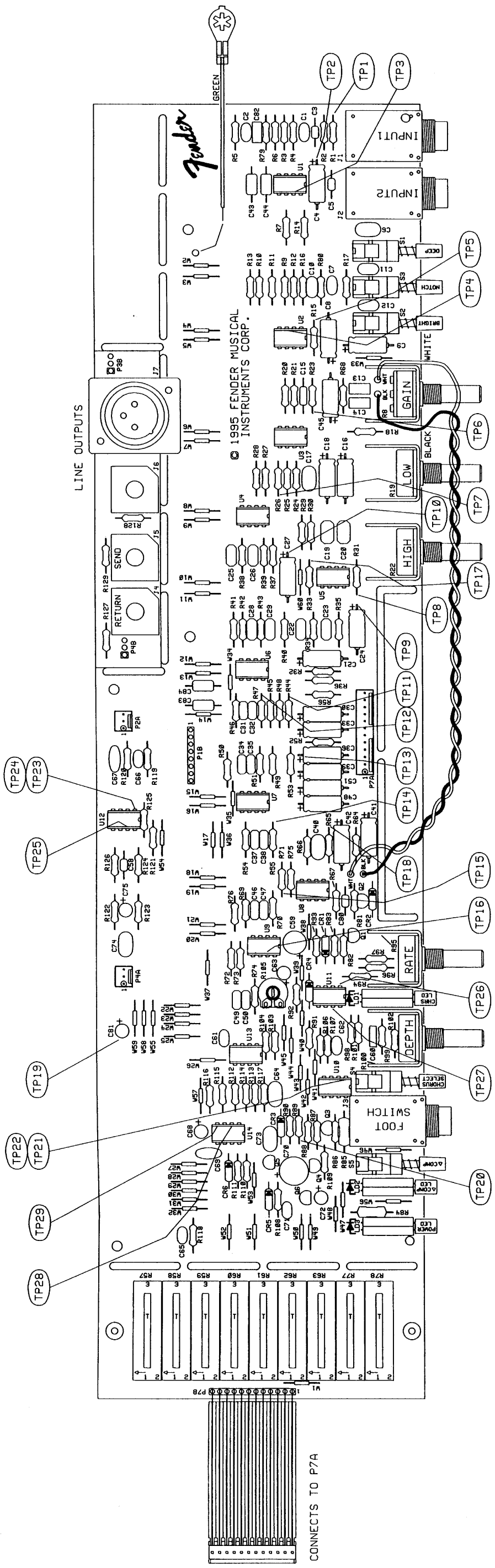


ABOVE WAVEFORMS READ WITH CHORUS SELECT 'ON'

LAST INSTANCES USED:
 C81, CR6, J7, LD3, P4, Q5, R129, TP29, U14

REVISIONS

ZONE	REV.	DESCRIPTION	DATE	APPROVED
	A	RELEASED PR286	10-FEB-95	



FILM/DWG: SERVICE DIAGRAM
 DATABASE: Z286P1SE.DBF DATE: 10-FEB-95
 LAYERS PLOTTED: 1 2 3 4 10
 18 19

CHORUS BIAS ADJUSTMENT:

WITH CHORUS SELECT ON, SET CHORUS RATE AND DEPTH CONTROLS FULLY CLOCKWISE. CONNECT A 1KHZ SINEWAVE AT ABOUT 1.8 VOLTS RMS TO THE EFFECTS LOOP RETURN JACK (J4). ADJUST TRIMPOT R105 FOR SYMMETRICAL CLIPPING AT U12 PIN 1 (TP23).

DATABASE FILE: Z286P1SE.DBF CHECKED BY: DATE: APPROVED: u DATE: 2-10-95 TOLERANCES: UNLESS OTHERWISE NOTED X.X ±0.050" X.XX ±0.010" X.XXX ±0.005" ANGLES	PROPRIETARY THIS DRAWING DOCUMENT CONTAINS INFORMATION PROPRIETARY TO AND IS THE PROPERTY OF FENDER MUSICAL INSTRUMENTS CO. AND MAY NOT BE USED, REPRODUCED OR DISCLOSED IN ANY MANNER WITHOUT THE EXPRESSED WRITTEN CONSENT FROM: FENDER MUSICAL INSTRUMENTS CO. 2821 Research Drive Corona, CA 91720 USA	TITLE: SERVICE DIAGRAM, BXR200 PRE-AMP. SIZE: B DRAWN: C. SHAH ENGR: C. SHAH DRAWING NUMBER: 048945 REV. A SCALE: NONE PLOTTED: 10-FEB-95 SHEET 1 OF 1
--	---	--

