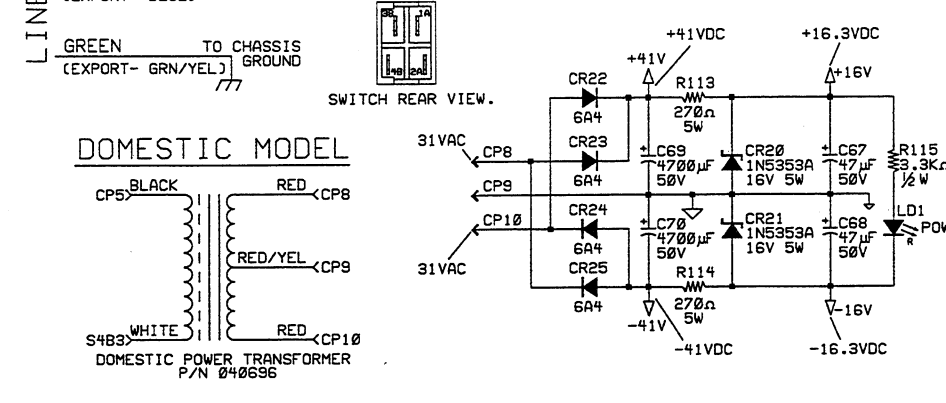
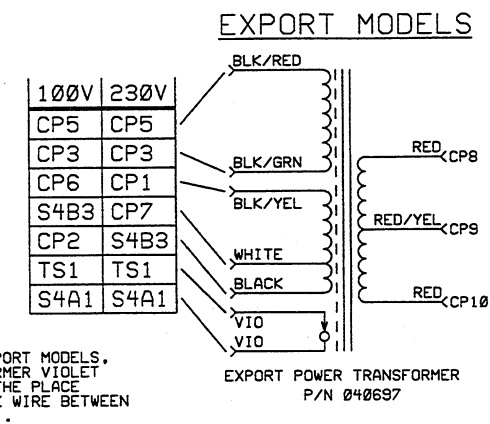
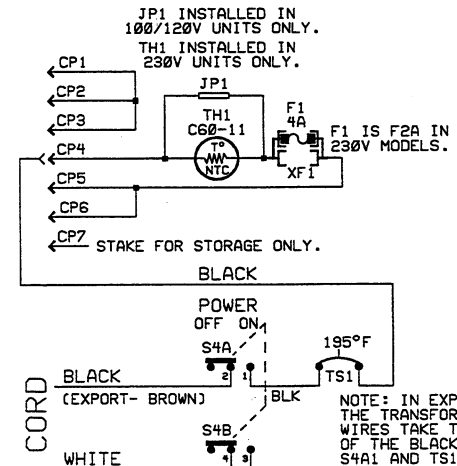
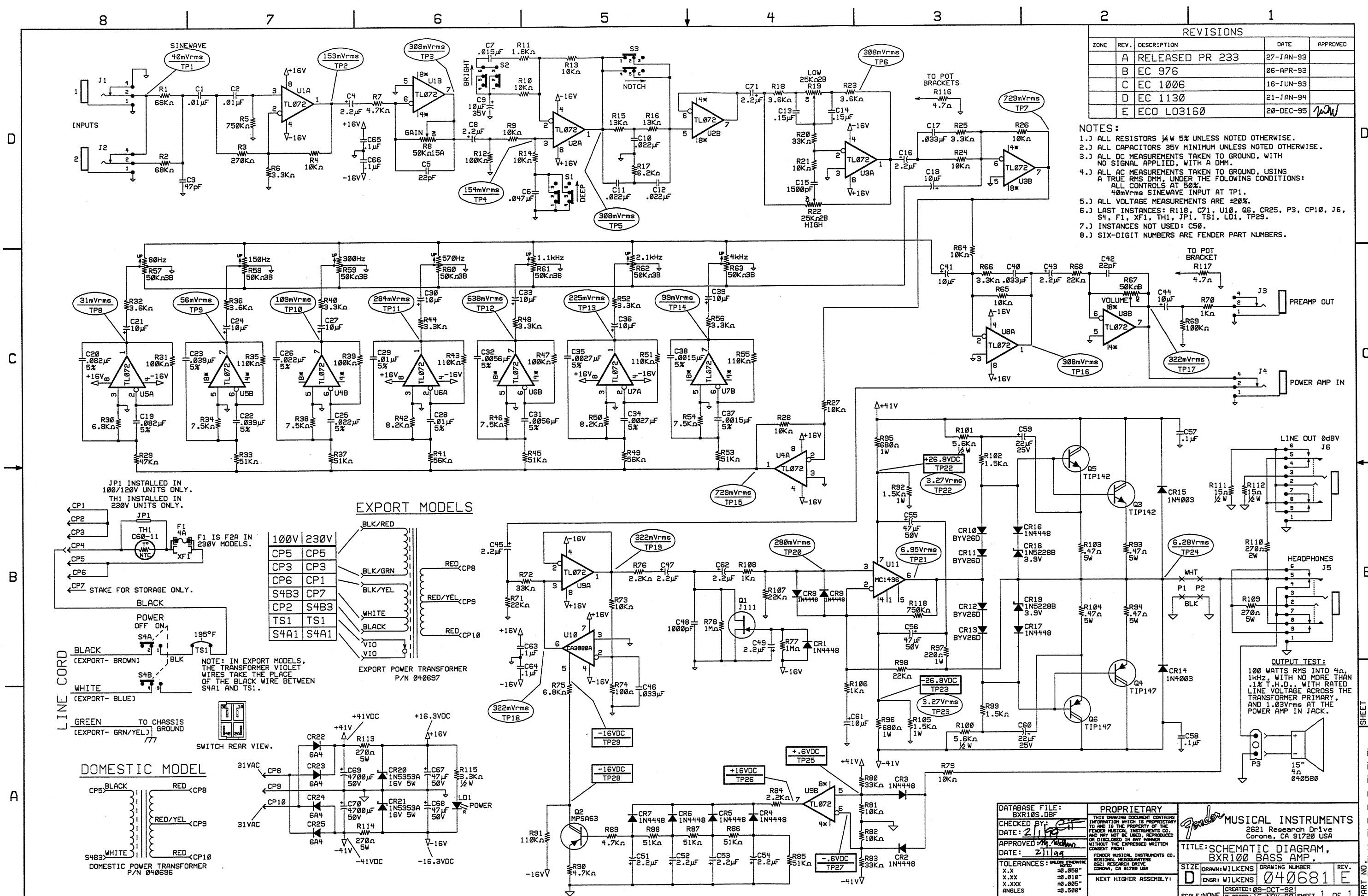


REVISIONS				
ZONE	REV.	DESCRIPTION	DATE	APPROVED
	A	RELEASED PR 233	27-JAN-93	
	B	EC 976	06-APR-93	
	C	EC 1006	16-JUN-93	
	D	EC 1130	21-JAN-94	
	E	ECO L03160	28-DEC-95	<i>WJK</i>

- NOTES:
- ALL RESISTORS 1/4W 5% UNLESS NOTED OTHERWISE.
 - ALL CAPACITORS 35V MINIMUM UNLESS NOTED OTHERWISE.
 - ALL DC MEASUREMENTS TAKEN TO GROUND, WITH NO SIGNAL APPLIED, WITH A DMM.
 - ALL AC MEASUREMENTS TAKEN TO GROUND, USING A TRUE RMS DMM, UNDER THE FOLLOWING CONDITIONS:
ALL CONTROLS AT 50%
40mVrms SINEWAVE INPUT AT TP1.
 - ALL VOLTAGE MEASUREMENTS ARE ±20%.
 - LAST INSTANCES: R118, C71, U10, Q6, CR25, P3, CP10, J6, S4, F1, XF1, TH1, JP1, TS1, LD1, TP29.
 - INSTANCES NOT USED: C50.
 - SIX-DIGIT NUMBERS ARE FENDER PART NUMBERS.



DATABASE FILE: BXR100.DBF
CHECKED BY: *[Signature]*
DATE: 2/1/94
APPROVED: *[Signature]*
DATE: 2/1/94

TOLERANCES: UNLESS OTHERWISE NOTED
X.X ±0.05"
X.XX ±0.01"
X.XXX ±0.005"
ANGLES ±0.500°

PROPRIETARY
THIS DRAWING DOCUMENT CONTAINS INFORMATION WHICH IS PROPRIETARY TO AND IS THE PROPERTY OF THE FENDER MUSICAL INSTRUMENTS CO. AND MAY NOT BE USED, REPRODUCED OR DISCLOSED IN ANY MANNER WITHOUT THE EXPRESSED WRITTEN CONSENT FROM FENDER MUSICAL INSTRUMENTS CO. REGIONAL HEADQUARTERS 2621 RESEARCH DRIVE CORONA, CA 91720 USA

FENDER MUSICAL INSTRUMENTS CO.
2621 RESEARCH DRIVE
CORONA, CA 91720 USA

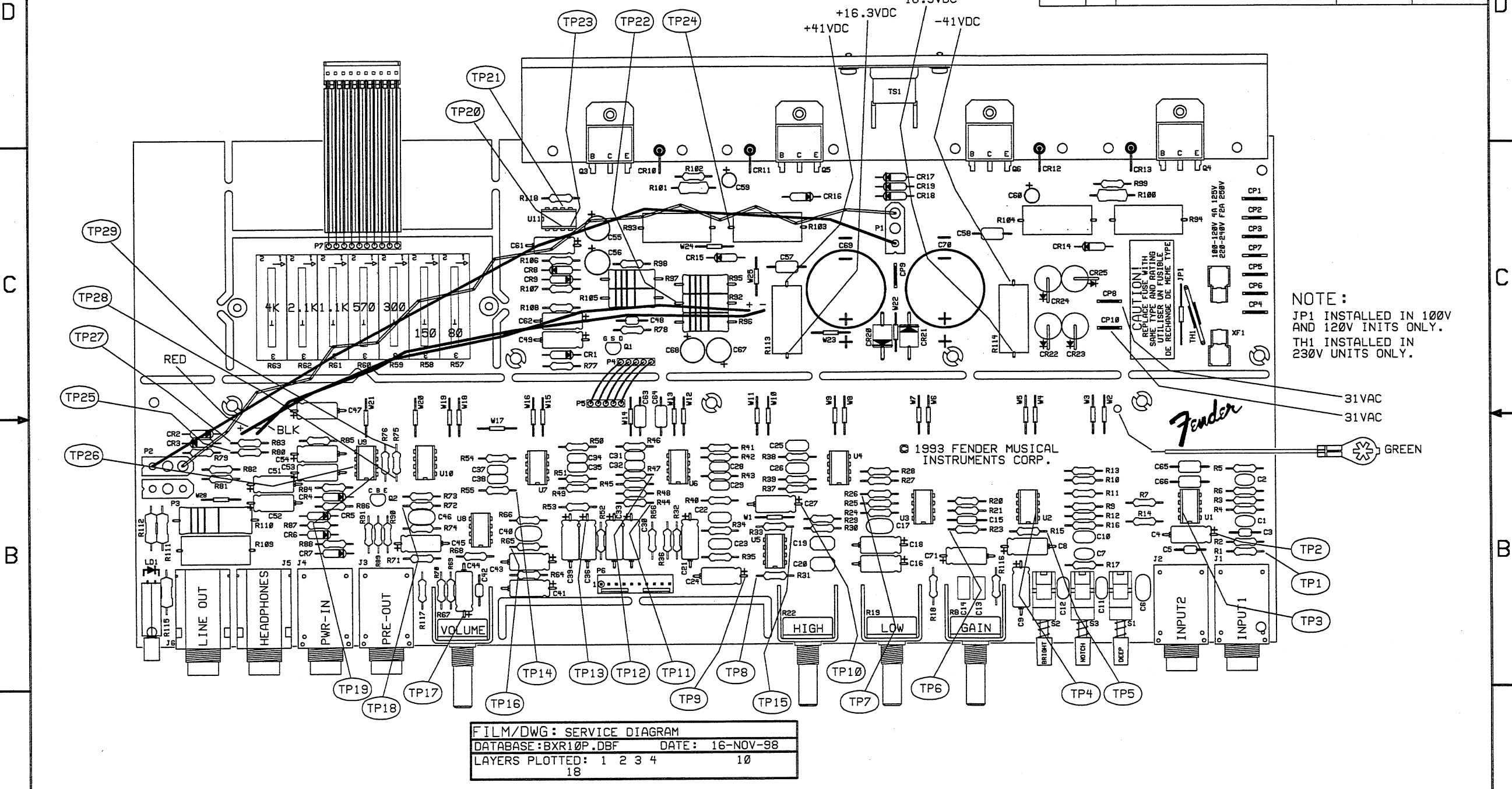
TITLE: SCHEMATIC DIAGRAM, BXR100 BASS AMP.
SIZE: DRAWN: WILKENS DRAWING NUMBER: 040681 E
ENGR: WILKENS
SCALE: NONE
CREATED: 09-OCT-92
PLOTTED: 16-NOV-98

MUSICAL INSTRUMENTS
2621 Research Drive
Corona, CA 91720 USA

PART NO. 040682000 SHEET 1 OF 1

8 7 6 5 4 3 2 1

REVISIONS				
ZONE	REV.	DESCRIPTION	DATE	APPROVED
	A	RELEASED PR 233	27-JAN-93	
	B	EC 976	06-APR-93	
	C	EC 1130	24-FEB-94	<i>AW</i>



FILM/DWG: SERVICE DIAGRAM
 DATABASE: BXR10P.DBF DATE: 16-NOV-98
 LAYERS PLOTTED: 1 2 3 4 10
 18

NOTES:
 1.) PCB SHOWN AS FABRICATED.
 2.) INSTANCES NOT USED: C50.

DATABASE FILE: BXR10P.DBF	PROPRIETARY	Fender MUSICAL INSTRUMENTS	
CHECKED BY: <i>CF</i>	THIS DRAWING DOCUMENT CONTAINS INFORMATION WHICH IS PROPRIETARY TO AND IS THE PROPERTY OF THE FENDER MUSICAL INSTRUMENTS CO. AND MAY NOT BE USED, REPRODUCED OR DISCLOSED IN ANY MANNER WITHOUT THE EXPRESSED WRITTEN CONSENT FROM: FENDER MUSICAL INSTRUMENTS CO. REGIONAL HEADQUARTERS 2621 RESEARCH DRIVE CORONA, CA 91720 USA BY BASSIST FOR BASSISTS.	2621 Research Drive Corona, CA 91720 USA	
DATE: 2/1/99		TITLE: SERVICE DIAGRAM, BXR100 BASS AMP.	
APPROVED: <i>M. Wilkens</i>		SIZE: B	DRAWN: WILKENS
DATE: 2/1/99		ENGR: WILKENS	DRAWING NUMBER: 040683
TOLERANCES: UNLESS OTHERWISE NOTED	NEXT HIGHER ASSEMBLY: BXR100 BASS AMP.	REV. C	
X.X ±0.050"		CREATED: 06-JAN-93	
X.XX ±0.010"		PLOTTED: 16-NOV-98	
X.XXX ±0.005"			
ANGLES ±0.500°		SCALE: NONE	SHEET 1 OF 1

8 7 6 5 4 3 2 1