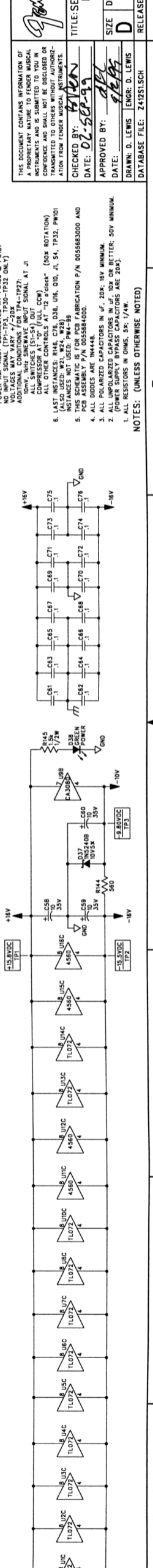
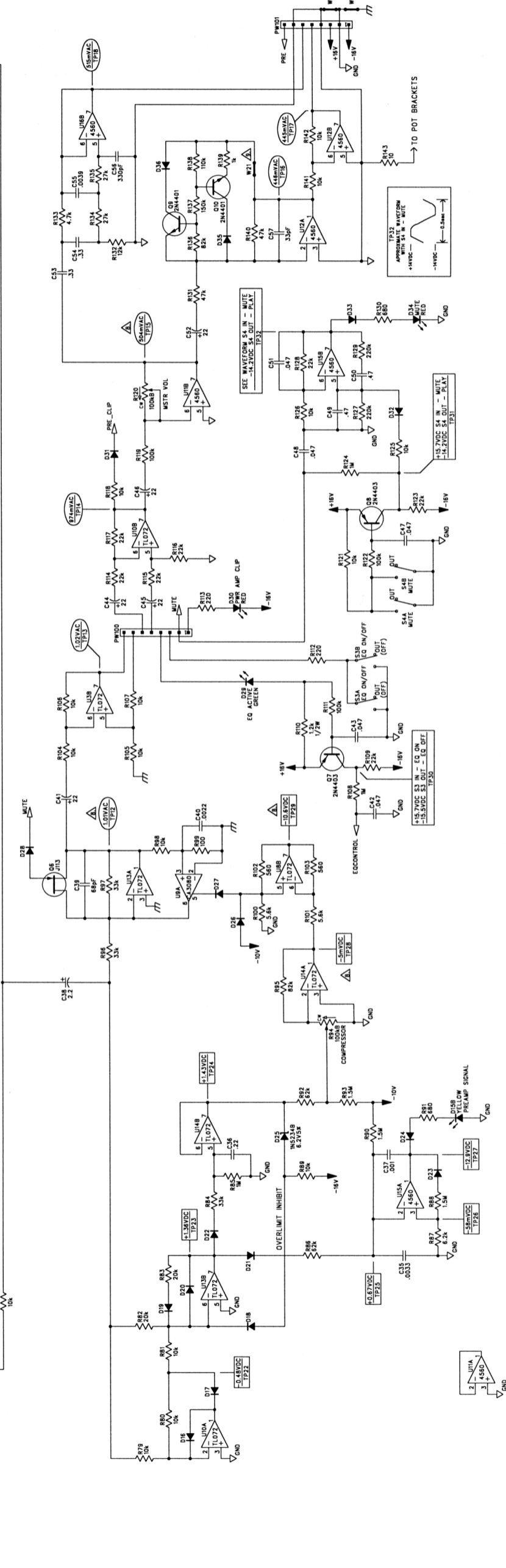
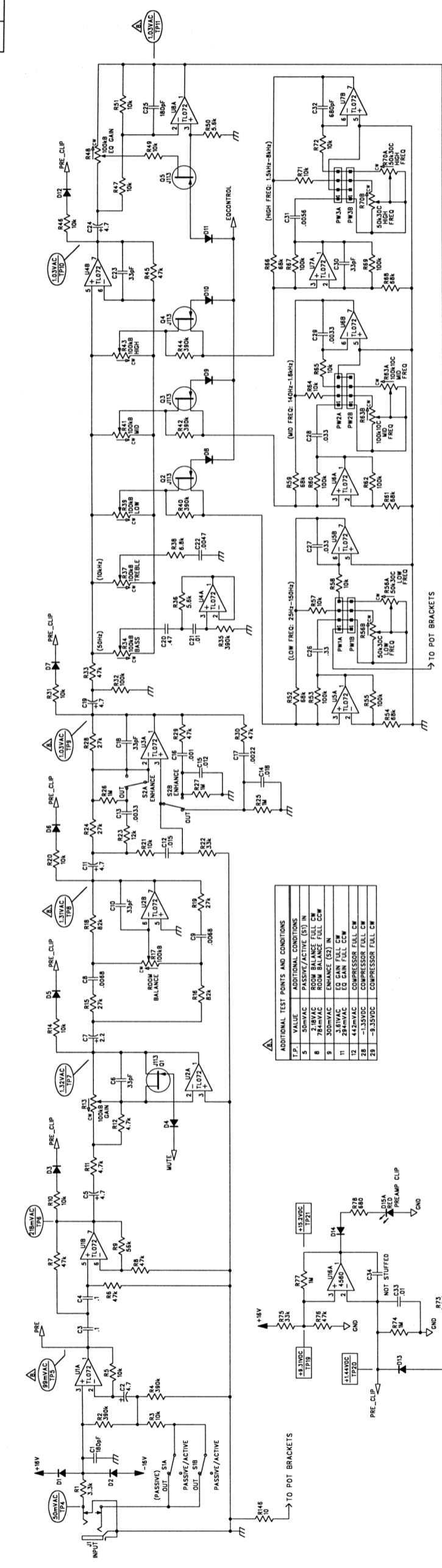


REV.	DESCRIPTION	DATE	APPROVED
A	PR412	02-SEP-99	dBL



THIS DOCUMENT CONTAINS INFORMATION OF A PROPRIETARY NATURE TO FENDER MUSICAL INSTRUMENTS AND IS NOT TO BE DISCLOSED OR TRANSMITTED TO OTHERS WITHOUT AUTHORIZATION FROM FENDER MUSICAL INSTRUMENTS.

CHECKED BY: *[Signature]*
DATE: 02-SEP-99

APPROVED BY: *[Signature]*
DATE: 02-SEP-99

DRAWN: D. LEWIS [ENGR] R. LEWIS [ENGR]
DATABASE FILE: Z41251.SCH

REFER TO POWER AMP SERVICE DIAGRAM P/N 0055682000 FOR OUTPUT TEST SETUP CONDITIONS.

SEE TABLE FOR ADDITIONAL TEST CONDITIONS.

AC AND DC VOLTAGES READ TO GROUND WITH A DVM UNDER THE FOLLOWING CONDITIONS:

NO INPUT SIGNAL (TP1-TP3, TP30-TP32 ON 'Y')
NO INPUT SIGNAL (TP1-TP3, TP30-TP32 ON 'Y')
NO INPUT SIGNAL (TP1-TP3, TP30-TP32 ON 'Y')

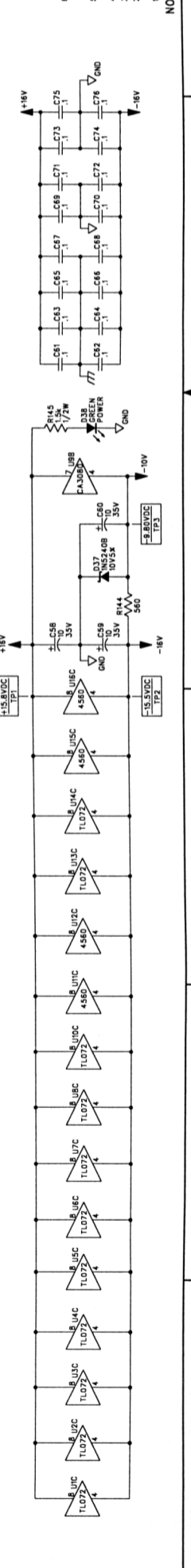
ADDITIONAL CONDITIONS FOR TP4-TP27:
100mV, 1kHz SINEWAVE INPUT SIGNAL AT J1
COMPRESSOR AT '0' (FULL CW)
ALL OTHER CONTROLS AT '12 o'clock' (50X ROTATION)

LAST INSTANCES: R46, C76, D38, U16, D10, J1, S4, TP32, PW101
INSTANCES NOT USED: PW4-88

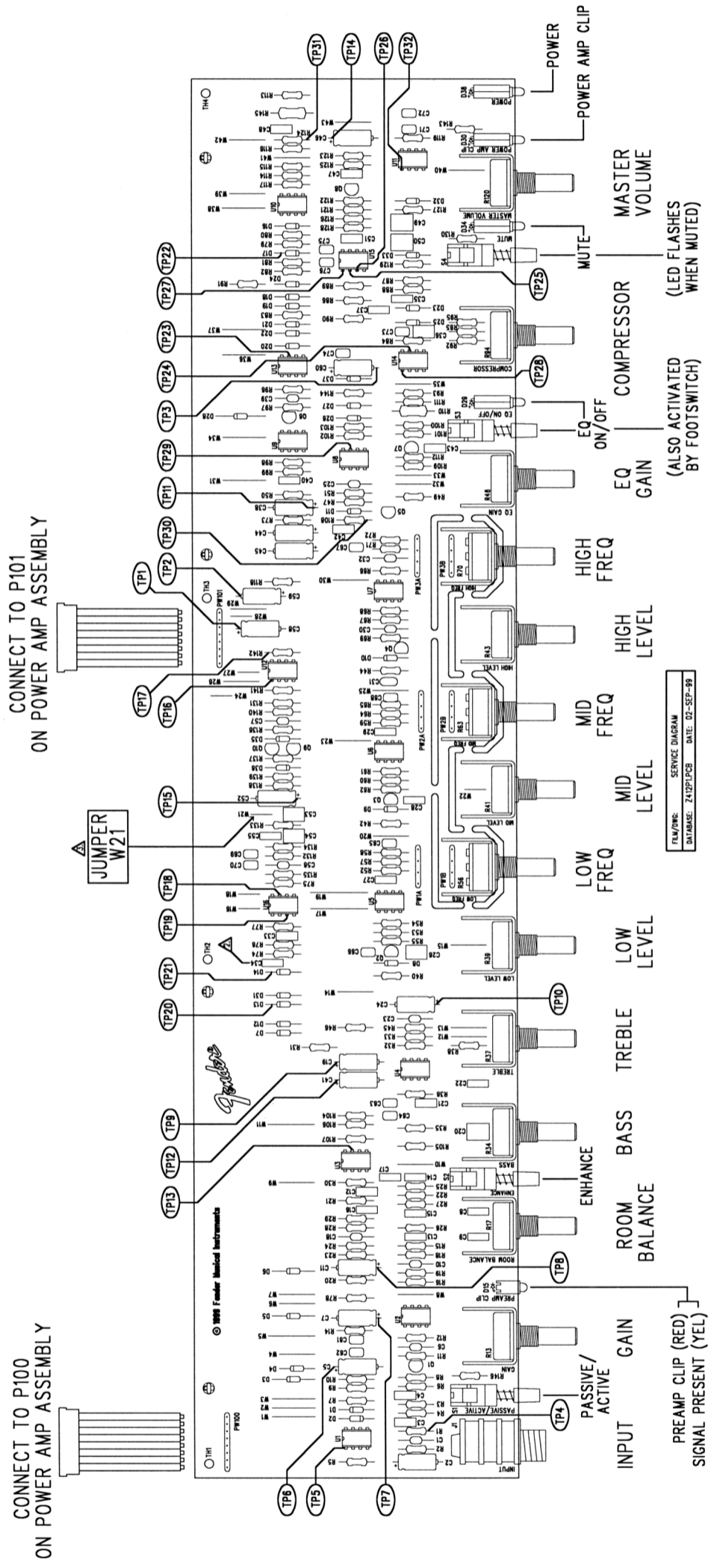
THIS SCHEMATIC IS FOR PCB FABRICATION P/N 0055683000 AND PCB ASSEMBLY P/N 0055684000.

ALL DIMENSIONS ARE IN INCHES UNLESS OTHERWISE SPECIFIED.
1. ALL UNPOLARIZED CAPACITORS IN JFET, 50V OR BETTER, 50V MINIMUM.
(POWER SUPPLY BYPASS CAPACITORS ARE 20X)
2. ALL RESISTORS IN OHMS, 5% 1/W.

NOTES: (UNLESS OTHERWISE NOTED)



REVISIONS			
REV.	DESCRIPTION	DATE	APPROVED
A	PR 412	02-SEP-89	DBL



FEM/DRG: SERVICE DIAGRAM
 DATABASE: 241271.PCB DATE: 02-SEP-89

THIS DOCUMENT CONTAINS INFORMATION OF A PROPRIETARY NATURE TO FENDER MUSICAL INSTRUMENTS AND IS SUBMITTED TO YOU IN CONFIDENCE. IT IS NOT TO BE REPRODUCED OR TRANSMITTED TO OTHERS WITHOUT AUTHORIZATION FROM FENDER MUSICAL INSTRUMENTS.

CHECKED BY: *SLP/AG*
 DATE: 02-SEP-89
 APPROVED BY: *AB*
 DATE: 9/2/89
 DRAWN BY: D. LEWIS
 ENGINEER: D. LEWIS
 DATABASE FILE: 241271.PCB

MUSICAL INSTRUMENTS
 2621 Research Drive
 Corona, CA 91720 USA

TITLE: SERVICE DIAGRAM COMBINED (PCB assy)
 BASSMAN 4100 AMPLIFIERS
 PREAMP

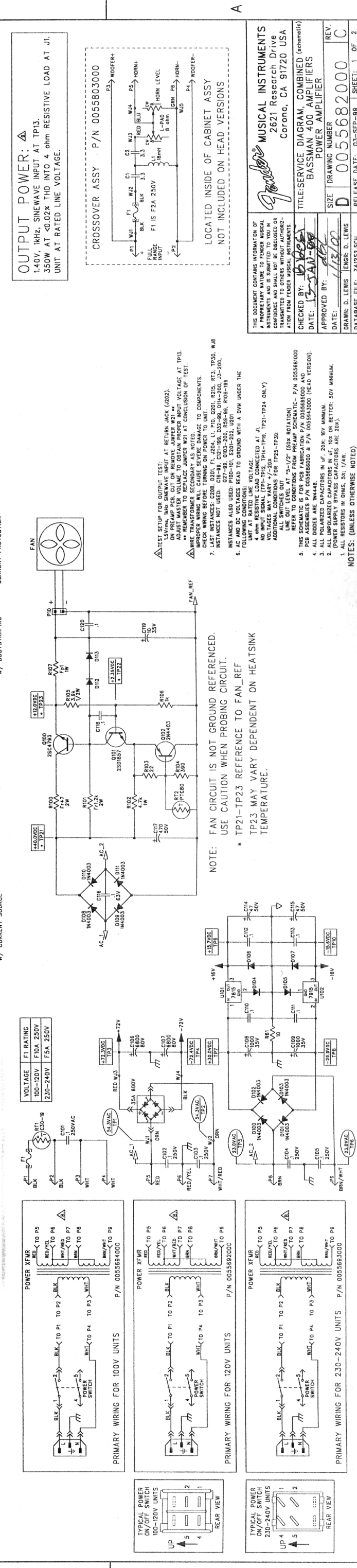
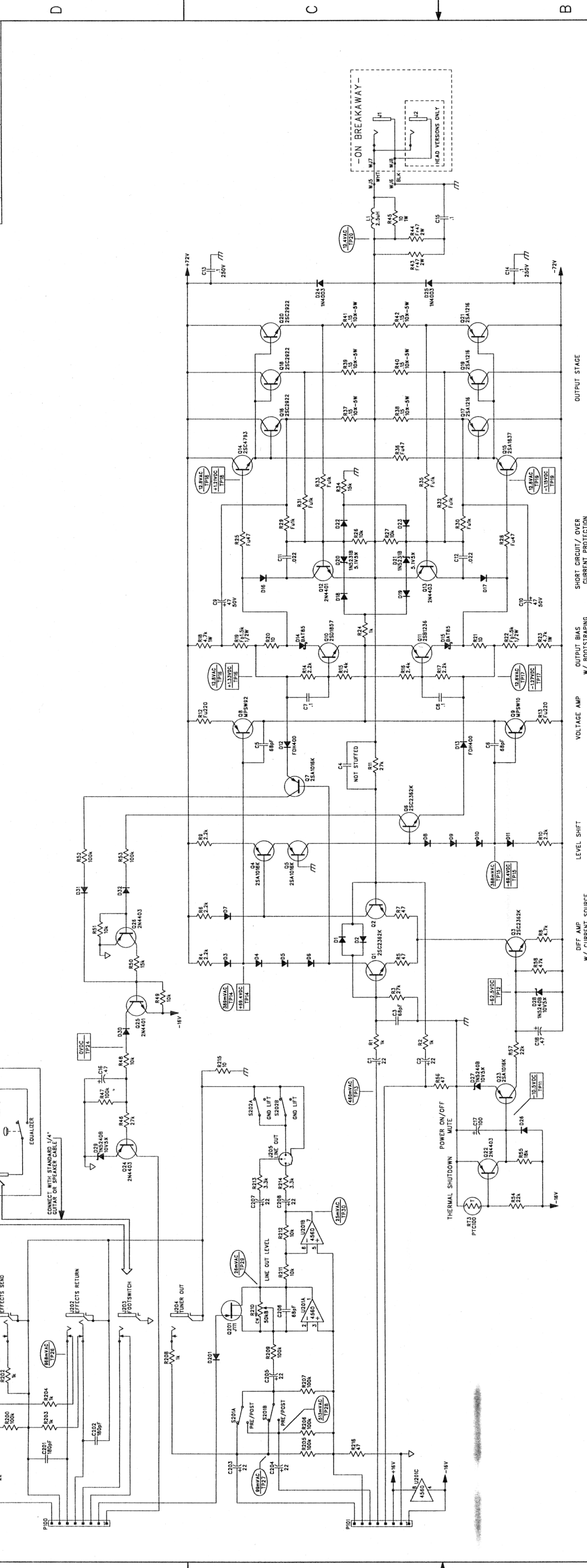
SIZE: D
 DRAWING NUMBER: 0055681000
 RELEASE DATE: 02-SEP-89
 SHEET: 2 OF 2

REFER TO POWER AMP SERVICE DIAGRAM P/N 005582000 FOR OUTPUT TEST SETUP CONDITIONS.
 *CS4 NOT STUFFED.
 1. SEE SHEET 1 FOR TEST CONDITIONS AND TEST POINT VALUES.
 NOTES: (UNLESS OTHERWISE NOTED)

REV.	DESCRIPTION	DATE	APPROVED
A	PR 412	01-SEP-99	dbl
B	PR 452	09-NOV-99	dbl
C	EC 2392	10-JAN-00	dbl

REV.	DESCRIPTION	DATE	APPROVED
A	PR 412	01-SEP-99	dbl
B	PR 452	09-NOV-99	dbl
C	EC 2392	10-JAN-00	dbl

1 2 3 4 5 6 7 8



OUTPUT POWER: Δ
 1.40V, 1kHz, SINEWAVE INPUT AT TP13.
 350W AT $\le 0.02\%$ THD INTO 4 ohm RESISTIVE LOAD AT J1.
 UNIT AT RATED LINE VOLTAGE.

CROSSOVER ASSY P/N 00556803000

LOCATED INSIDE OF CABINET ASSY
 NOT INCLUDED ON HEAD VERSIONS.

TEST SETUP FOR OUTPUT TEST:
 150Vrms, 1kHz SINEWAVE INPUT AT RETURN JACK (J202).
 ON PREAMP PCB, CUT OR REMOVE JUMPER W21.
 ON OUTPUT STAGE, CUT OR REMOVE JUMPER W22.
 ** REMEMBER TO REFACE JUMPER W21 AT CONCLUSION OF TEST.

IMPROPER WIRING WILL CAUSE SEVERE DAMAGE TO COMPONENTS.
 LACK OF PRECAUTIONS WHILE RUNNING ON POWER TO UNIT.
 7. LACK OF PRECAUTIONS WHILE RUNNING ON POWER TO UNIT.
 8. LACK OF PRECAUTIONS WHILE RUNNING ON POWER TO UNIT.
 9. LACK OF PRECAUTIONS WHILE RUNNING ON POWER TO UNIT.
 10. LACK OF PRECAUTIONS WHILE RUNNING ON POWER TO UNIT.

THE FOLLOWING CONDITIONS APPLY TO THIS SCHEMATIC:
 1. ALL PARTS ARE MFR'S SPECIFIED PARTS.
 2. ALL UNPOLARIZED CAPACITORS IN THE SCHEMATIC ARE POLYPROPYLENE.
 3. ALL POLARIZED CAPACITORS IN THE SCHEMATIC ARE ELECTROLYTIC.
 4. ALL RESISTORS ARE 1% TOLERANCE UNLESS OTHERWISE NOTED.
 5. THIS SCHEMATIC IS FOR PCB FABRICATION P/N 0055680000 AND P/N 0055680300 (HEAD VERSION).
 6. ALL DIMENSIONS ARE IN INCHES UNLESS OTHERWISE NOTED.
 7. ALL DIMENSIONS ARE IN INCHES UNLESS OTHERWISE NOTED.
 8. ALL DIMENSIONS ARE IN INCHES UNLESS OTHERWISE NOTED.
 9. ALL DIMENSIONS ARE IN INCHES UNLESS OTHERWISE NOTED.
 10. ALL DIMENSIONS ARE IN INCHES UNLESS OTHERWISE NOTED.

REAR VIEW
 REAR VIEW

REAR VIEW
 REAR VIEW

MUSICAL INSTRUMENTS
 2621 Research Drive
 Corona, CA 91720 USA

TITLE: SERVICE DIAGRAM, COMBINED (schematic)
 BASSMAN 400 AMPLIFIERS
 POWER AMPLIFIER

CHECKED BY: [Signature]
 DATE: 10-1-99

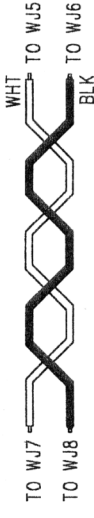
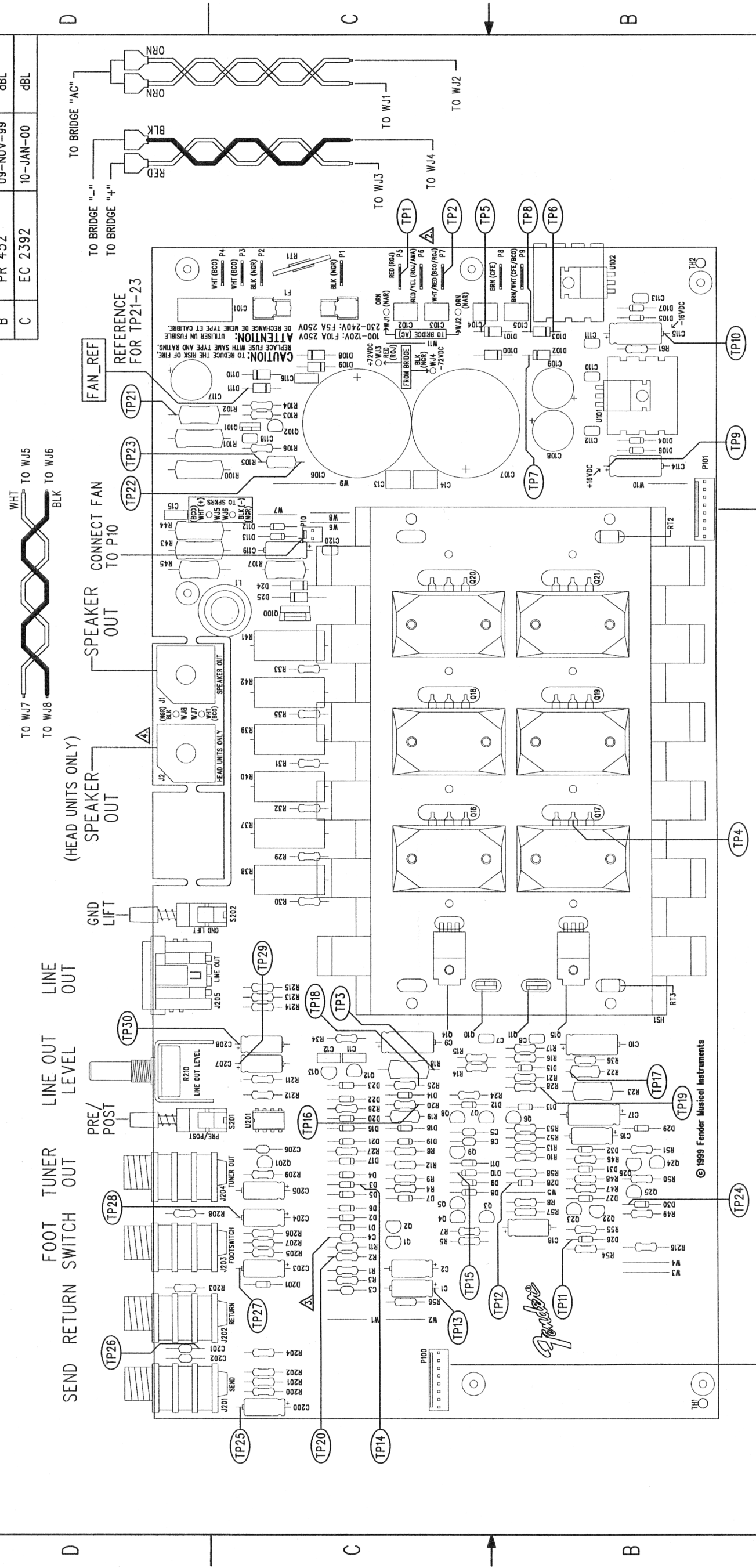
APPROVED BY: [Signature]
 DATE: 10-1-99

DRAWN: D. LEWIS (ENG D. LEWIS)
 DATABASE FILE: 24252.SCH

SIZE: D
 DRAWING NUMBER: 0055682000
 RELEASE DATE: 03-SEP-99
 SHEET: 1 OF 2

1 2 3 4 5 6 7 8

REVISIONS			
REV.	DESCRIPTION	DATE	APPROVED
A	PR 412	01-SEP-99	dBL
B	PR 452	09-NOV-99	dBL
C	EC 2392	10-JAN-00	dBL



(HEAD UNITS ONLY)

SPEAKER OUT

SPEAKER CONNECT FAN TO P10

REFERENCE FOR TP21-23

CAUTION: TO REDUCE THE RISK OF FIRE, REPLACE FUSE WITH SAME TYPE AND RATING.

ATTENTION: UTILISER UN FUSIBLE DE RECHANGER DE MÊME TYPE ET CALIBRE.

100-120V: FSA 250V

230-240V: FSA 250V

CONNECT WITH PW100 FROM PREAMP PCB ASSEMBLY

CONNECT WITH PW101 FROM PREAMP PCB ASSEMBLY

FILM/DWG: SERVICE DIAGRAM
DATABASE: Z412P2.PCB DATE: 10-JAN-00

THIS DOCUMENT CONTAINS INFORMATION OF A PROPRIETARY NATURE TO FENDER MUSICAL INSTRUMENTS AND IS SUBMITTED TO YOU IN CONFIDENCE AND SHALL NOT BE DISCLOSED OR TRANSMITTED TO OTHERS WITHOUT AUTHORIZATION FROM FENDER MUSICAL INSTRUMENTS.

MUSICAL INSTRUMENTS
2621 Research Drive
Corona, CA 91720 USA

TITLE: SERVICE DIAGRAM, COMBINED (PCB Assy)
BASSMAN 400 AMPLIFIERS
POWER AMPLIFIER

CHECKED BY: *B. Viers*
DATE: *13-JAN-00*

APPROVED BY: *ABC*
DATE: *11/13/00*

DRAWN: D. LEWIS ENGR: D. LEWIS
DATABASE FILE: Z412P2.PCB

SIZE: **C**
DRAWING NUMBER: **005568200**
REV. **C**

RELEASE DATE: 03-SEP-99 SHEET 2 OF 2

△J2 STUFFED IN HEAD VERSIONS ONLY.
△C4 NOT STUFFED.
△REFER TO SHEET 1 FOR PROPER SECONDARY WIRING.
1. SEE SHEET 1 FOR PRIMARY WIRING, TEST CONDITIONS, TEST POINT VALUES, AND OUTPUT POWER TEST SETUP.
NOTES: (UNLESS OTHERWISE NOTED)

1 2 3 4 5 6 7 8