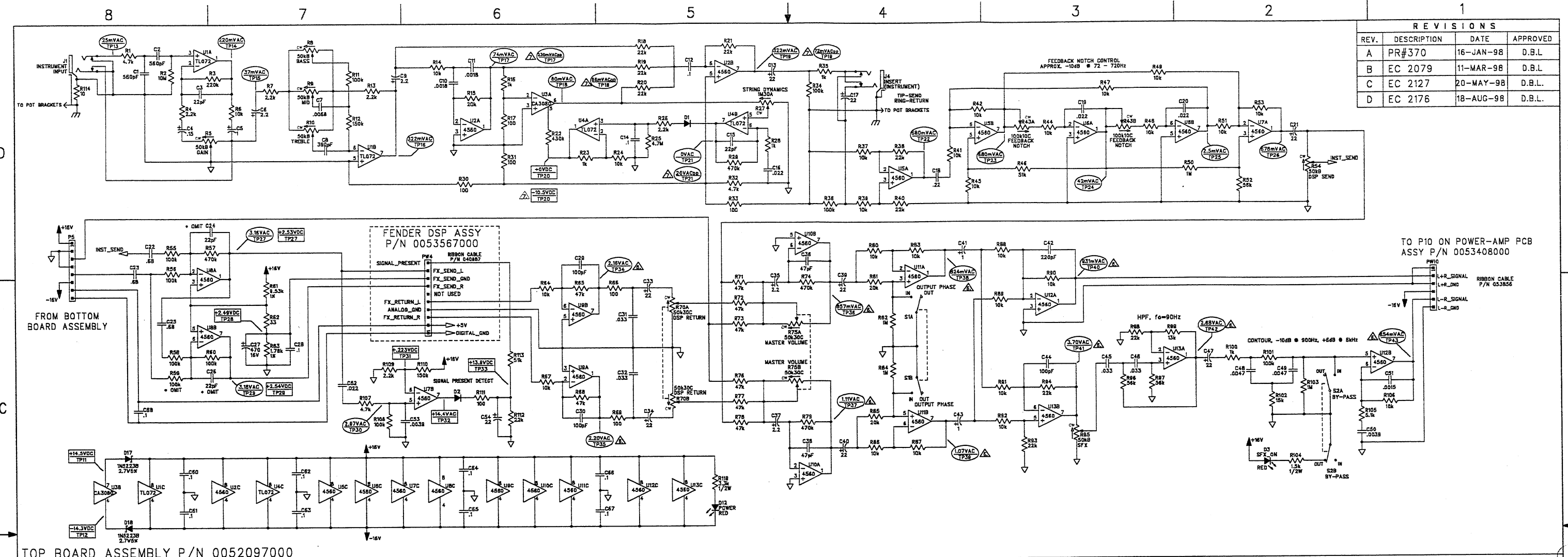
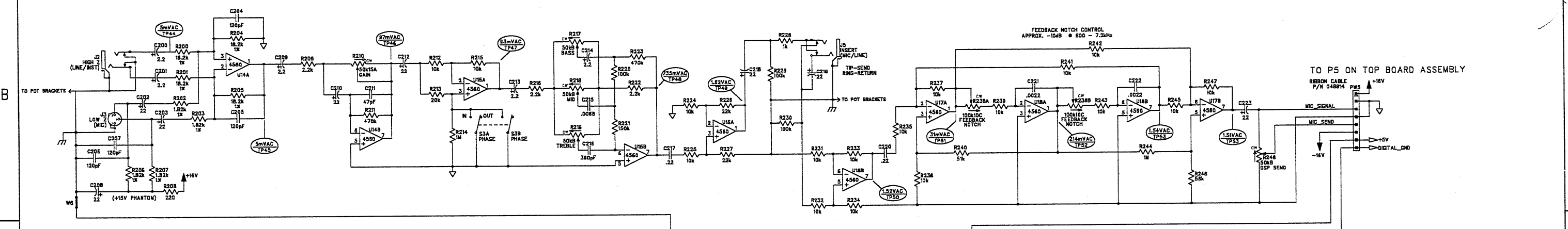


REVISIONS			
REV.	DESCRIPTION	DATE	APPROVED
A	PR#370	16-JAN-98	D.B.L.
B	EC 2079	11-MAR-98	D.B.L.
C	EC 2127	20-MAY-98	D.B.L.
D	EC 2176	18-AUG-98	D.B.L.



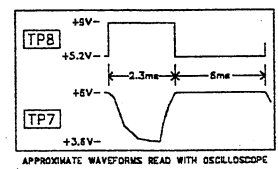
TOP BOARD ASSEMBLY P/N 0052097000



TO POWER AMP BOARD (ASSY P/N 0053408000)

POWER XFMR MATRIX

VOLTAGE	P/N
120V	0051897000
230V-240V	0051898000
100V	0053405000



BOTTOM BOARD ASSEMBLY P/N 0052099000

5. AC AND DC VOLTAGES READ TO GROUND WITH A DVM UNDER THE FOLLOWING CONDITIONS:
 UNIT AT RATED LINE VOLTAGE
 ALL SWITCHES (S1-S3) IN OUT POSITION
 NO INPUT SIGNAL (TP1-TP11 ONLY)
 VOLTAGES MAY VARY +/- 20%
- ADDITIONAL CONDITIONS FOR TP13-TP43:
 25mV, 8.3kHz SINEWAVE INPUT SIGNAL AT J1
 INSTR. "GAIN" CONTROL AT "5-1/2" (50% ROTATION)
 "TREBLE", "MID", "BASS" CONTROLS AT "10"
 "STRING DYNAMICS" & "FEEDBACK NOTCH" CONTROLS AT "1"
 "DSP SEND" CONTROL AT "10"
 "SFX", "DSP RETURN", & "MASTER VOLUME" CONTROLS AT "5-1/2" (50% ROTATION)
- ADDITIONAL CONDITIONS FOR TP34 - TP43:
 DSP IN TEST MODE. REFER TO SERVICE DIAGRAM 0053569000 DSP SFX SERIES.
- ADDITIONAL CONDITIONS FOR TP44 - TP54:
 5mV, 1kHz SINEWAVE INPUT SIGNAL AT J2
 "GAIN", "TREBLE", "MID", "BASS" CONTROLS AT "10"
 "FEEDBACK NOTCH" CONTROL AT "10"
4. ALL DIODES 1N4448.
 3. ALL POLARIZED CAPACITORS IN uF; 50V, 10% (OR BETTER).
 1. ALL RESISTORS IN OHMS, 1/4W, 5%.
- NOTES: (UNLESS OTHERWISE NOTED)

ADDITIONAL CONDITIONS FOR TP17-TP21:
 25mV, 8.3kHz SINEWAVE INPUT SIGNAL AT J1
 INSTR. "GAIN" CONTROL AT "5-1/2" (50% ROTATION)
 "TREBLE", "MID", "BASS" CONTROLS AT "5-1/2" (50% ROTATION)
 "STRING DYNAMICS" CONTROL AT "10"
 TP17-TP18, & TP21 READ WITH AN OSCILLOSCOPE (VOLTS PEAK TO PEAK)

THIS DOCUMENT CONTAINS INFORMATION OF A PROPRIETARY NATURE TO FENDER MUSICAL INSTRUMENTS AND IS SUBMITTED TO YOU IN CONFIDENCE AND SHALL NOT BE DISCLOSED OR TRANSMITTED TO OTHERS WITHOUT AUTHORIZATION FROM FENDER MUSICAL INSTRUMENTS.

CHECKED BY: *B. West*
 DATE: 20-AUG-98

APPROVED BY: *D.L.*
 DATE: 8/20/98

DRAWN: D. LEWIS ENGR: D. LEWIS
 DATABASE FILE: Z370PRE.SCH

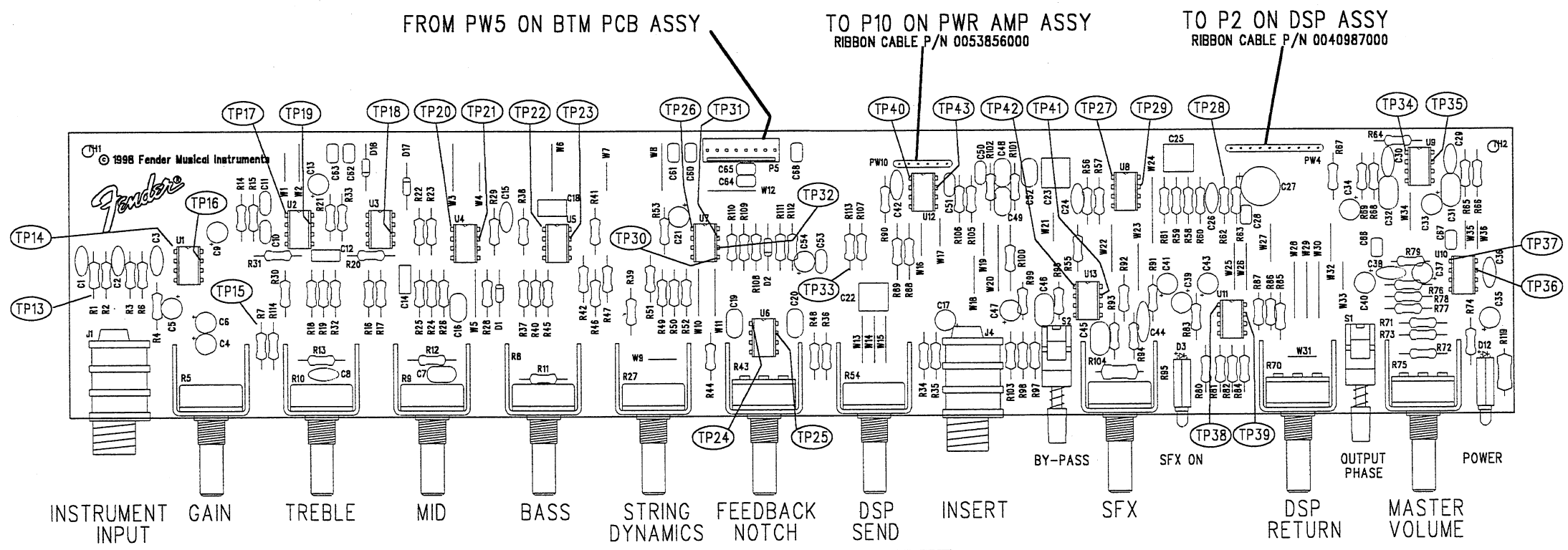
MUSICAL INSTRUMENTS
 2621 Research Drive
 Corona, CA 91720 USA

TITLE: SERVICE DIAGRAM, COMBINED (schematic)
 ACOUSTASONIC SFX AMPLIFIER
 PREAMP

SIZE: D
 DRAWING NUMBER: 0053401000
 RELEASE DATE: 16-JAN-98
 SHEET: 1 OF 3

INSTANCES NOT USED: R115-189, C82-189, P6-8
 LAST INSTANCES: R233, C223, D18, Q3, U21, P(W)10, J5
 * COMPONENTS R59, C24, C26 NOT STUFFED.

REVISIONS			
REV.	DESCRIPTION	DATE	APPROVED
A	PR#370	16-JAN-98	D.B.L.
B	EC 2079	11-MAR-98	D.B.L.
C	EC 2127	20-MAY-98	D.B.L.
D	EC 2176	18-AUG-98	D.B.L.



FILM/DWG: SERVICE DIAGRAM
 DATABASE: Z370TOP.PCB DATE: 18-AUG-98

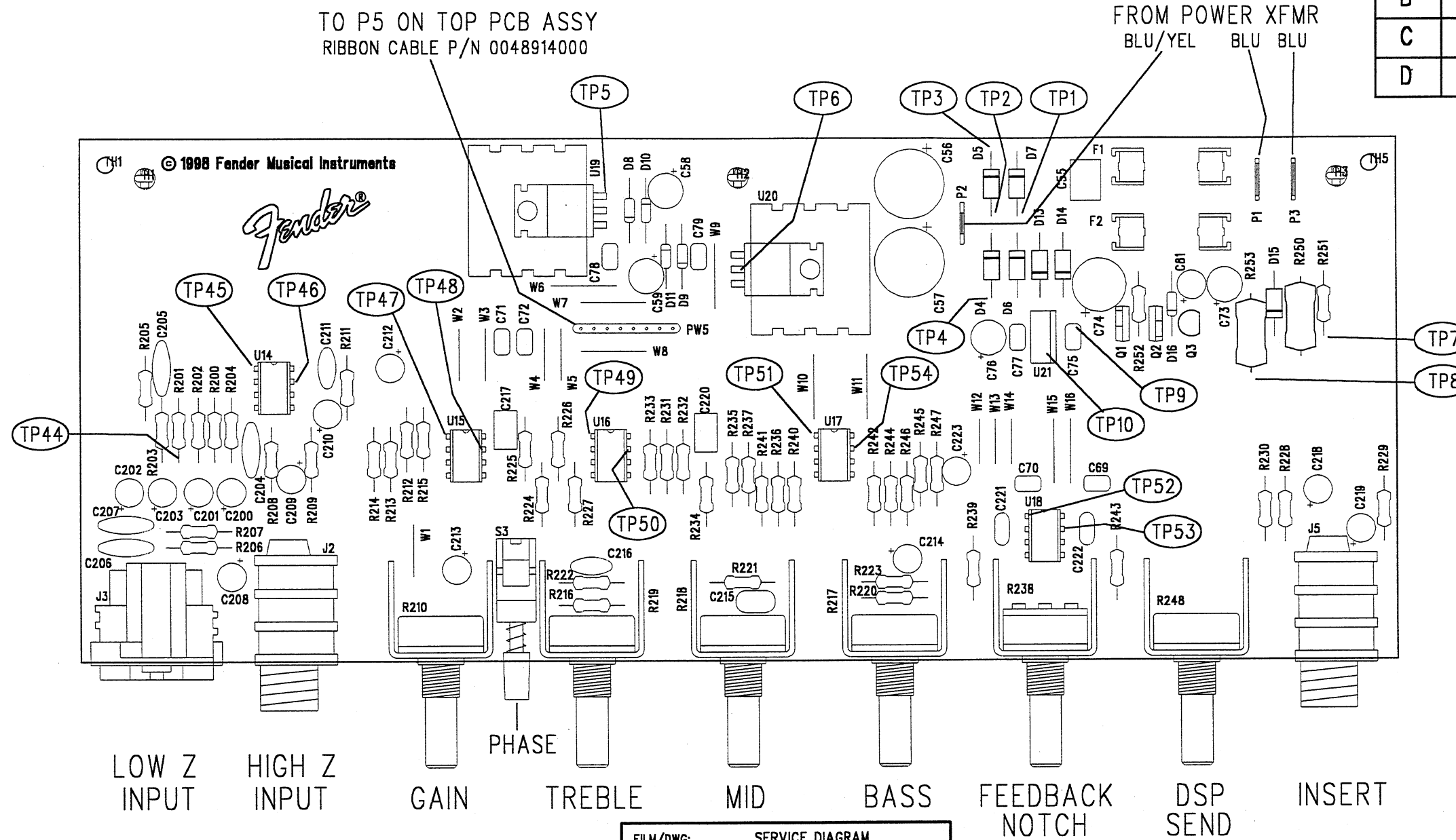
- 3. COMPONENTS R59, C24, C26 NOT STUFFED.
- 2. SEE SHEET 3 FOR TP1-10 AND TP44-54.
- 1. SEE SHEET 1 FOR TEST CONDITIONS AND TEST POINT VALUES.

NOTES: (UNLESS OTHERWISE NOTED)

THIS DOCUMENT CONTAINS INFORMATION OF A PROPRIETARY NATURE TO FENDER MUSICAL INSTRUMENTS AND IS SUBMITTED TO YOU IN CONFIDENCE AND SHALL NOT BE DISCLOSED OR TRANSMITTED TO OTHERS WITHOUT AUTHORIZATION FROM FENDER MUSICAL INSTRUMENTS.		MUSICAL INSTRUMENTS 2621 Research Drive Corona, CA 91720 USA	
CHECKED BY: <i>B. Den</i> DATE: <i>20-AUG-98</i>		TITLE: SERVICE DIAGRAM, COMBINED (PCB assy) ACOUSTASONIC SFX AMPLIFIER PREAMP TOP	
APPROVED BY: <i>dlc</i> DATE: <i>8/20/98</i>		SIZE: C	DRAWING NUMBER: 0053401000
DRAWN: D. LEWIS ENGR: D. LEWIS		RELEASE DATE: 16-JAN-98	SHEET 2 OF 3
DATABASE FILE: Z370TOP.PCB			

REVISIONS

REV.	DESCRIPTION	DATE	APPROVED
A	PR#370	16-JAN-98	D.B.L.
B	EC 2079	11-MAR-98	D.B.L.
C	EC 2127	20-MAY-98	D.B.L.
D	EC 2176	18-AUG-98	D.B.L.



FILM/DWG: SERVICE DIAGRAM
 DATABASE: Z370BTM.PCB DATE: 18-AUG-98

2. SEE SHEET 2 FOR TP11 - TP43 LOCATIONS.
 1. SEE SHEET 1 FOR TEST CONDITIONS AND TEST POINT VALUES.

NOTES: (UNLESS OTHERWISE NOTED)

THIS DOCUMENT CONTAINS INFORMATION OF A PROPRIETARY NATURE TO FENDER MUSICAL INSTRUMENTS AND IS SUBMITTED TO YOU IN CONFIDENCE AND SHALL NOT BE DISCLOSED OR TRANSMITTED TO OTHERS WITHOUT AUTHORIZATION FROM FENDER MUSICAL INSTRUMENTS.

Fender MUSICAL INSTRUMENTS
 2621 Research Drive
 Corona, CA 91720 USA

CHECKED BY: BD
 DATE: 20 Aug '98

TITLE: SERVICE DIAGRAM, COMBINED (PCB assy)
 ACOUSTASONIC SFX AMPLIFIER
 PREAMP BTM

APPROVED BY: dbl
 DATE: 8/20/98

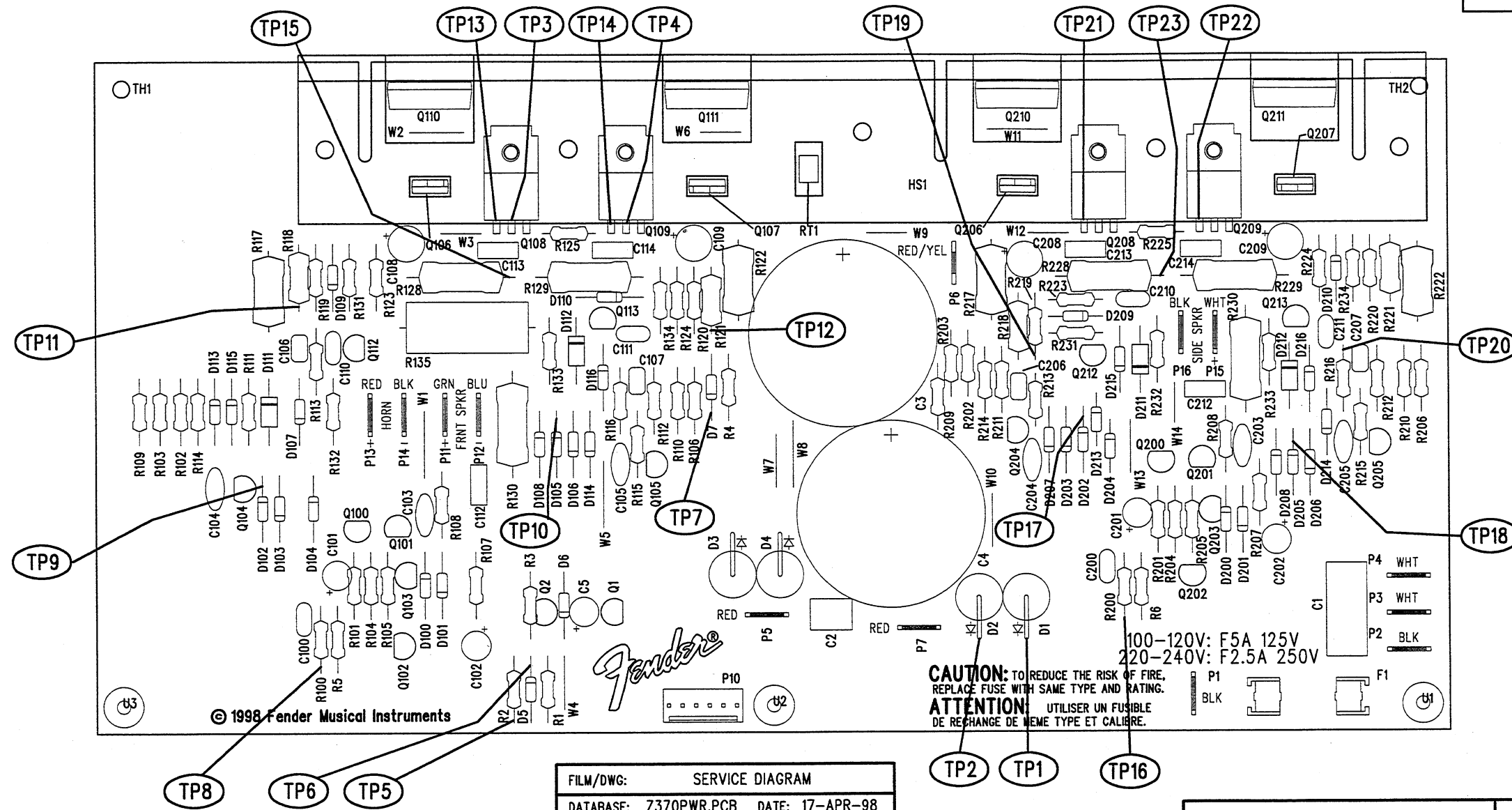
SIZE	DRAWING NUMBER	REV.
B	0053401000	D

DRAWN: D. LEWIS ENGR: D. LEWIS
 DATABASE FILE: Z370BTM.PCB

RELEASE DATE: 16-JAN-98 SHEET 3 OF 3

REVISIONS

REV.	DESCRIPTION	DATE	APPROVED
A	PR#370	16-JAN-98	D.B.L.
B	EC 2065	04-FEB-98	D.B.L.
C	EC 2084	17-APR-98	D.B.L.
D	EC 2190	19-NOV-98	D.B.L.



© 1998 Fender Musical Instruments

FILM/DWG: SERVICE DIAGRAM
 DATABASE: Z370PWR.PCB DATE: 17-APR-98

2. COMPONENTS C103, C203, D113-D116, & D213-D216 NOT STUFFED.
 1. SEE SHEET 1 FOR TEST CONDITIONS AND TEST POINT VALUES.
 NOTES: (UNLESS OTHERWISE NOTED)

THIS DOCUMENT CONTAINS INFORMATION OF A PROPRIETARY NATURE TO FENDER MUSICAL INSTRUMENTS AND IS SUBMITTED TO YOU IN CONFIDENCE AND SHALL NOT BE DISCLOSED OR TRANSMITTED TO OTHERS WITHOUT AUTHORIZATION FROM FENDER MUSICAL INSTRUMENTS.

CHECKED BY: B Pen
 DATE: 19-NOV-98

APPROVED BY: DBL
 DATE: 11/19/98

DRAWN: D. LEWIS ENGR: D. LEWIS
 DATABASE FILE: Z370PWR.PCB

Fender MUSICAL INSTRUMENTS
 2621 Research Drive
 Corona, CA 91720 USA

TITLE: SERVICE DIAGRAM, COMBINED (PCB assy)
 ACOUSTASONIC SFX AMPLIFIER
 POWER AMP

SIZE	DRAWING NUMBER	REV.
B	0053409000	D

RELEASE DATE: 16-JAN-98 SHEET 2 OF 2