


REVISIONS			
REV.	DESCRIPTION	DATE	APPROVED
A	PR328	26-OCT-98	RMP

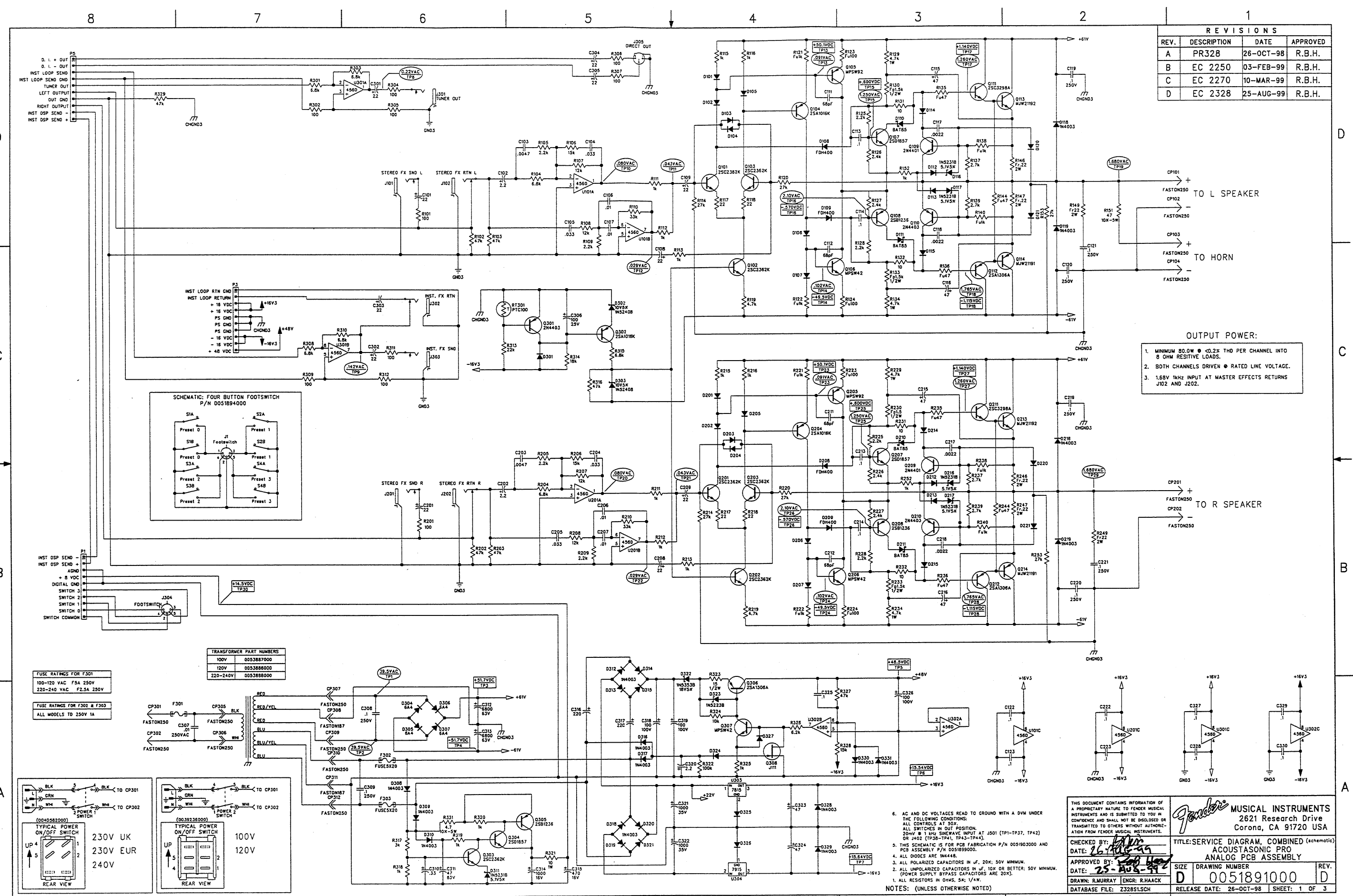
1. SEE SHEET 1 NOTES FOR:
 1) TEST CONDITIONS
 2) TEST POINT VALUES.
 3) LIST OF COMPONENTS STUFFED.

NOTES: (UNLESS OTHERWISE NOTED)

FILM/DWG: SERVICE DIAGRAM
 DATABASE: Z328P2.PCB DATE: 26-OCT-98

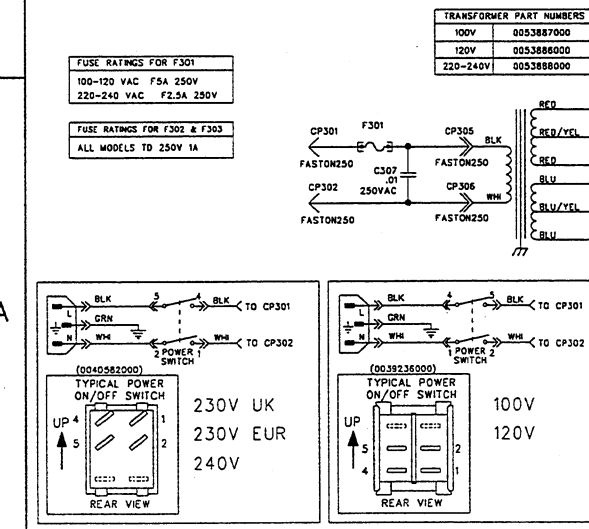
THIS DOCUMENT CONTAINS INFORMATION OF A PROPRIETARY NATURE TO FENDER MUSICAL INSTRUMENTS AND IS SUBMITTED TO YOU IN CONFIDENCE AND SHALL NOT BE DISCLOSED OR TRANSMITTED TO OTHERS WITHOUT AUTHORIZATION FROM FENDER MUSICAL INSTRUMENTS.		 MUSICAL INSTRUMENTS 2621 Research Drive Corona, CA 91720 USA	
CHECKED BY: <u>B. Davis</u> DATE: <u>23-OCT-98</u>		TITLE: SERVICE DIAGRAM, COMBINED (PCB assy) ACOUSTASONIC PRO DSP	
APPROVED BY: <u>R. Povinmire</u> DATE: <u>23-OCT-98</u>		SIZE B	DRAWING NUMBER 0051890000
DRAWN: R. Povinmire ENGR: R. Povinmire		RELEASE DATE: 26-OCT-98	REV. A
DATABASE FILE: Z328P2.PCB		SHEET 3 OF 3	

REVISIONS			
REV.	DESCRIPTION	DATE	APPROVED
A	PR328	26-OCT-98	R.B.H.
B	EC 2250	03-FEB-99	R.B.H.
C	EC 2270	10-MAR-99	R.B.H.
D	EC 2328	25-AUG-99	R.B.H.



OUTPUT POWER:

1. MINIMUM 80.0W @ $\pm 0.2\%$ THD PER CHANNEL INTO 8 OHM RESISTIVE LOADS.
2. BOTH CHANNELS DRIVEN @ RATED LINE VOLTAGE.
3. 1.68V 1kHz INPUT AT MASTER EFFECTS RETURNS J102 AND J202.



6. AC AND DC VOLTAGES READ TO GROUND WITH A DVM UNDER THE FOLLOWING CONDITIONS:
 ALL SWITCHES IN OFF POSITION.
 20mV @ 1 kHz SINEWAVE INPUT AT J501 (TP1-TP3, TP42) OR J402 (TP38-TP41, TP43-TP44).
 7. THIS SCHEMATIC IS FOR PCB FABRICATION P/N 0051903000 AND PCB ASSEMBLY P/N 0051899000.
 8. ALL DIODES ARE 1N4448.
 9. ALL POLARIZED CAPACITORS IN uF, 20K; 50V MINIMUM.
 10. ALL UNPOLARIZED CAPACITORS IN uF, 10K OR BETTER; 50V MINIMUM. (POWER SUPPLY BYPASS CAPACITORS ARE 20K).
 11. ALL RESISTORS IN OHMS, 5% 1/4W.

NOTES: (UNLESS OTHERWISE NOTED)

THIS DOCUMENT CONTAINS INFORMATION OF A PROPRIETARY NATURE TO FENDER MUSICAL INSTRUMENTS AND IS SUBMITTED TO YOU IN CONFIDENCE AND SHALL NOT BE DISCLOSED OR TRANSMITTED TO OTHERS WITHOUT AUTHORIZATION FROM FENDER MUSICAL INSTRUMENTS.

Fender MUSICAL INSTRUMENTS
 2621 Research Drive
 Corona, CA 91720 USA

CHECKED BY: *[Signature]*
 DATE: 26-10-98

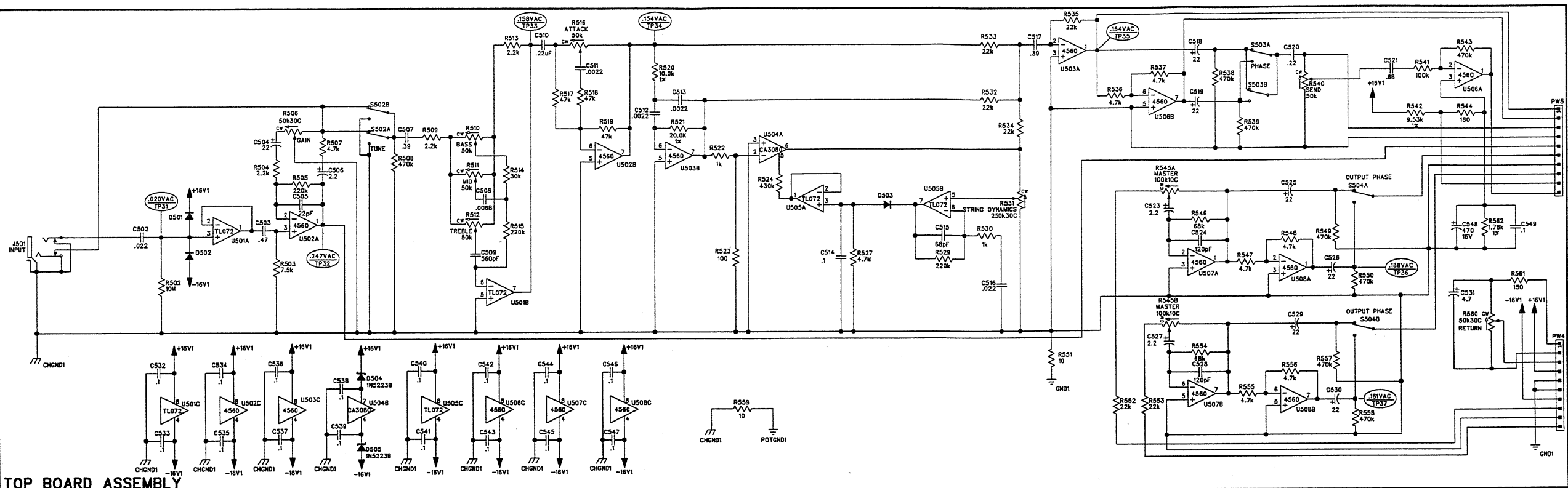
APPROVED BY: *[Signature]*
 DATE: 25-AUG-99

DRAWN: R.MURRAY ENGR: R.HAAK
 DATABASE FILE: Z3285LSCH

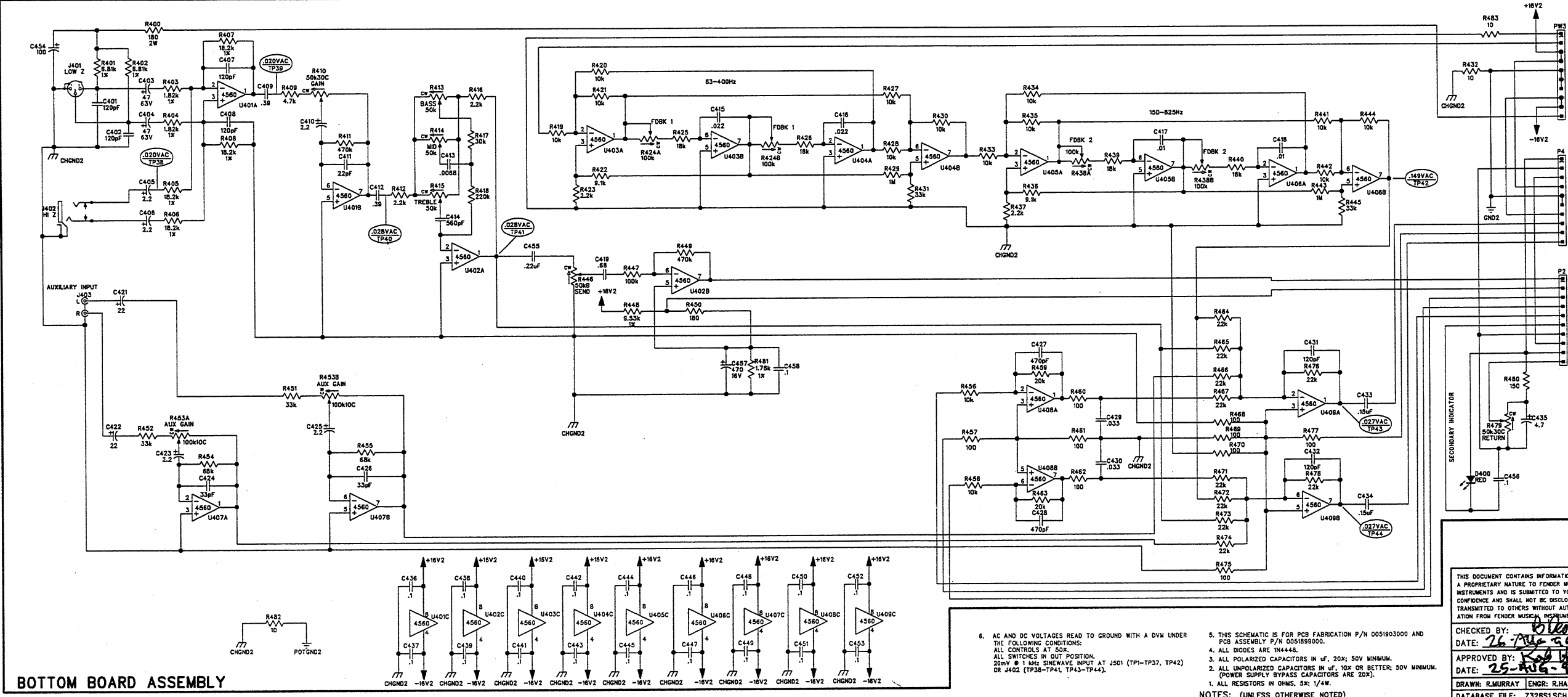
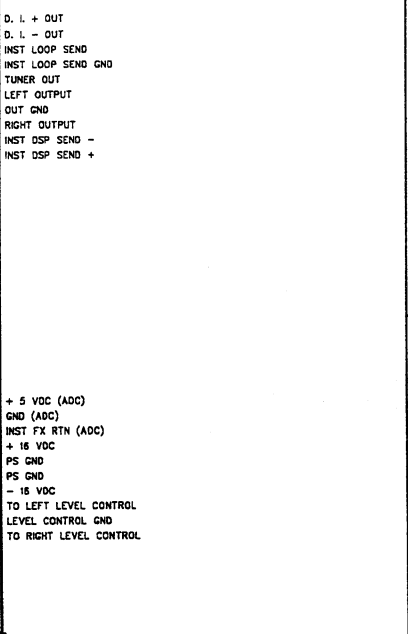
TITLE: SERVICE DIAGRAM, COMBINED (schematic)
 ACOUSTASONIC PRO
 ANALOG PCB ASSEMBLY

SIZE	D	DRAWING NUMBER	0051891000	REV.	D
RELEASE DATE:	26-OCT-98	SHEET:	1 OF 3		

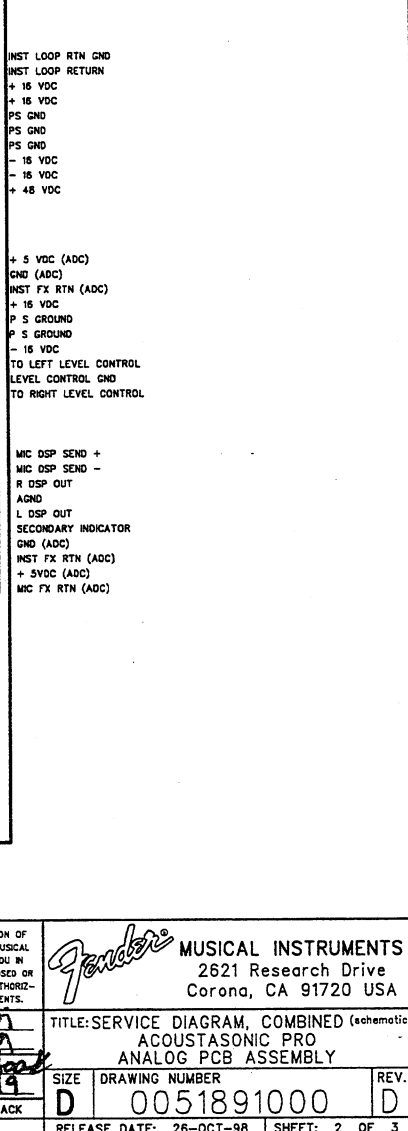
REVISIONS			
REV.	DESCRIPTION	DATE	APPROVED
A	PR328	26-OCT-98	R.B.H.
B	EC 2250	03-FEB-99	R.B.H.
C	EC 2270	10-MAR-99	R.B.H.
D	EC 2328	25-AUG-99	R.B.H.



TOP BOARD ASSEMBLY



BOTTOM BOARD ASSEMBLY



6. AC AND DC VOLTAGES READ TO GROUND WITH A DVM UNDER THE FOLLOWING CONDITIONS:
 ALL CONTROLS AT 50%.
 ALL SWITCHES IN OUT POSITION.
 20mV @ 1 kHz SINEWAVE INPUT AT J501 (TP1-TP3, TP42) OR J402 (TP35-TP41, TP43-TP44).

5. THIS SCHEMATIC IS FOR PCB FABRICATION P/N 0051903000 AND PCB ASSEMBLY P/N 0051903000.
 4. ALL DIODES ARE 1N4148.
 3. ALL POLARIZED CAPACITORS IN uF; 20% 50V MINIMUM.
 2. ALL UNPOLARIZED CAPACITORS IN uF; 10% OR BETTER; 50V MINIMUM. (POWER SUPPLY BYPASS CAPACITORS ARE 20%).
 1. ALL RESISTORS IN OHMS, 5% 1/4W.

NOTES: (UNLESS OTHERWISE NOTED)

THIS DOCUMENT CONTAINS INFORMATION OF A PROPRIETARY NATURE TO FENDER MUSICAL INSTRUMENTS AND IS SUBMITTED TO YOU IN CONFIDENCE AND SHALL NOT BE DISCLOSED OR TRANSMITTED TO OTHERS WITHOUT AUTHORIZATION FROM FENDER MUSICAL INSTRUMENTS.

Fender MUSICAL INSTRUMENTS
 2621 Research Drive
 Corona, CA 91720 USA

CHECKED BY: *Oliver*
 DATE: *26-Aug-99*
 APPROVED BY: *Rob Hood*
 DATE: *25-Aug-99*
 DRAWN: R.MURRAY ENGR: R.HAACK
 DATABASE FILE: Z328SL5CH

TITLE: SERVICE DIAGRAM, COMBINED (schematic)
 ACOUSTASONIC PRO
 ANALOG PCB ASSEMBLY

SIZE: D
 DRAWING NUMBER: 0051891000
 REV: D

RELEASE DATE: 28-OCT-98
 SHEET: 2 OF 3

8

7

6

5

4

3

2

1

REVISIONS			
REV.	DESCRIPTION	DATE	APPROVED
A	PR328	26-OCT-98	R.B.H.
B	EC 2250	03-FEB-99	R.B.H.
C	EC 2270	10-MAR-99	R.B.H.
D	EC 2328	25-AUG-99	R.B.H.

D

D

C

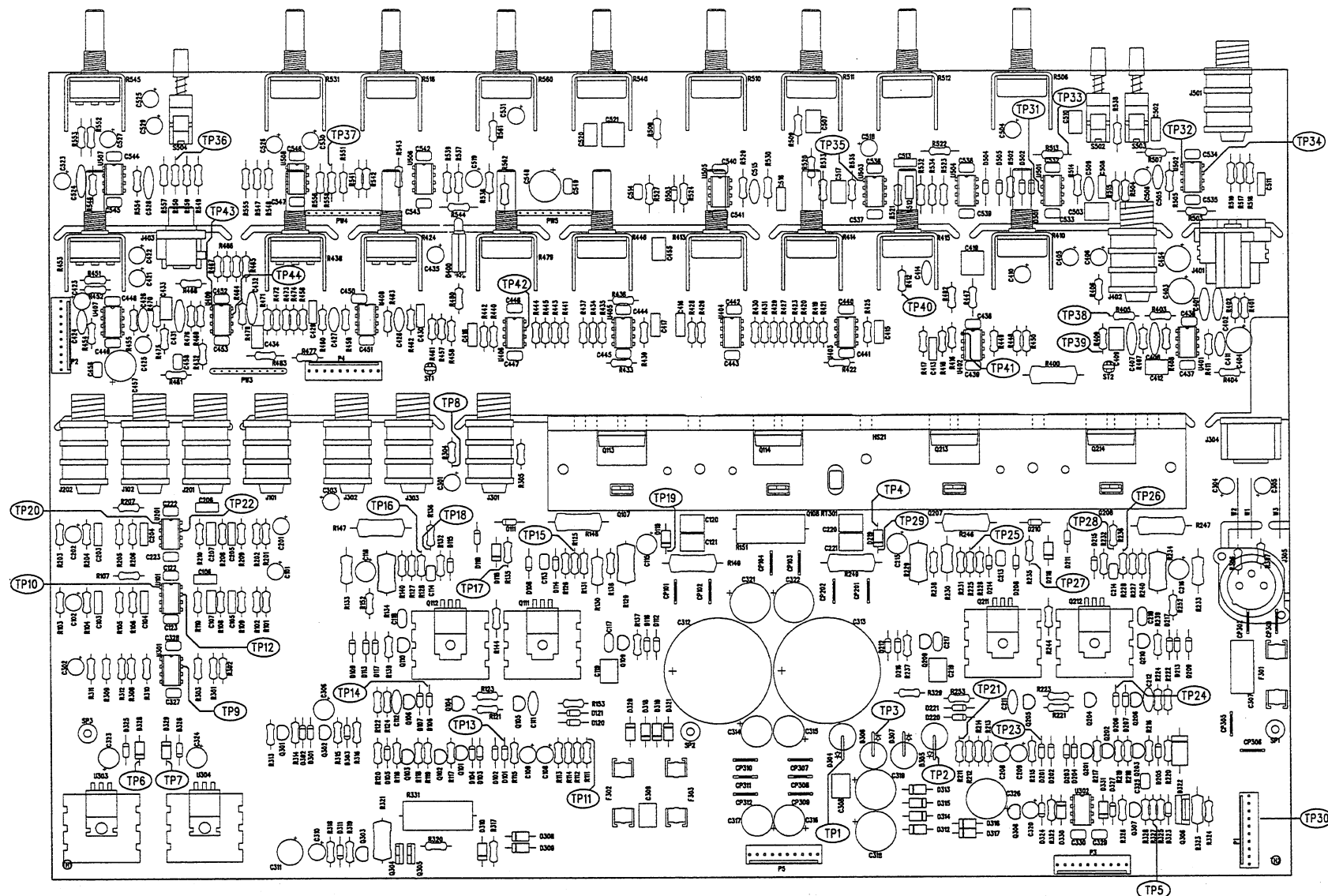
C

B

B

A

A



FILM/DWG: SERVICE DIAGRAM
 DATABASE: Z328PLPCB DATE: 25-AUG-99

1. SEE SHEETS 1 & 2 FOR PRIMARY WIRING, TEST CONDITIONS AND TEST POINT VALUES.
 NOTES: (UNLESS OTHERWISE NOTED)

THIS DOCUMENT CONTAINS INFORMATION OF A PROPRIETARY NATURE TO FENDER MUSICAL INSTRUMENTS AND IS SUBMITTED TO YOU IN CONFIDENCE AND SHALL NOT BE DISCLOSED OR TRANSMITTED TO OTHERS WITHOUT AUTHORIZATION FROM FENDER MUSICAL INSTRUMENTS.

CHECKED BY: *[Signature]*
 DATE: 16-APR-99

APPROVED BY: *[Signature]*
 DATE: 25-AUG-99

DRAWN: R.MURRAY R.RAACK
 DATABASE FILE: Z328PLPCB

Fender MUSICAL INSTRUMENTS
 2621 Research Drive
 Corona, CA 91720 USA

TITLE: SERVICE DIAGRAM, COMBINED (PCB assy)
 ACOUSTASONIC PRO
 ANALOG PCB ASSEMBLY

SIZE: D DRAWING NUMBER: 0051891000
 REV: D

RELEASE DATE: 26-OCT-98 SHEET 3 OF 3

8

7

6

5

4

3

2

1