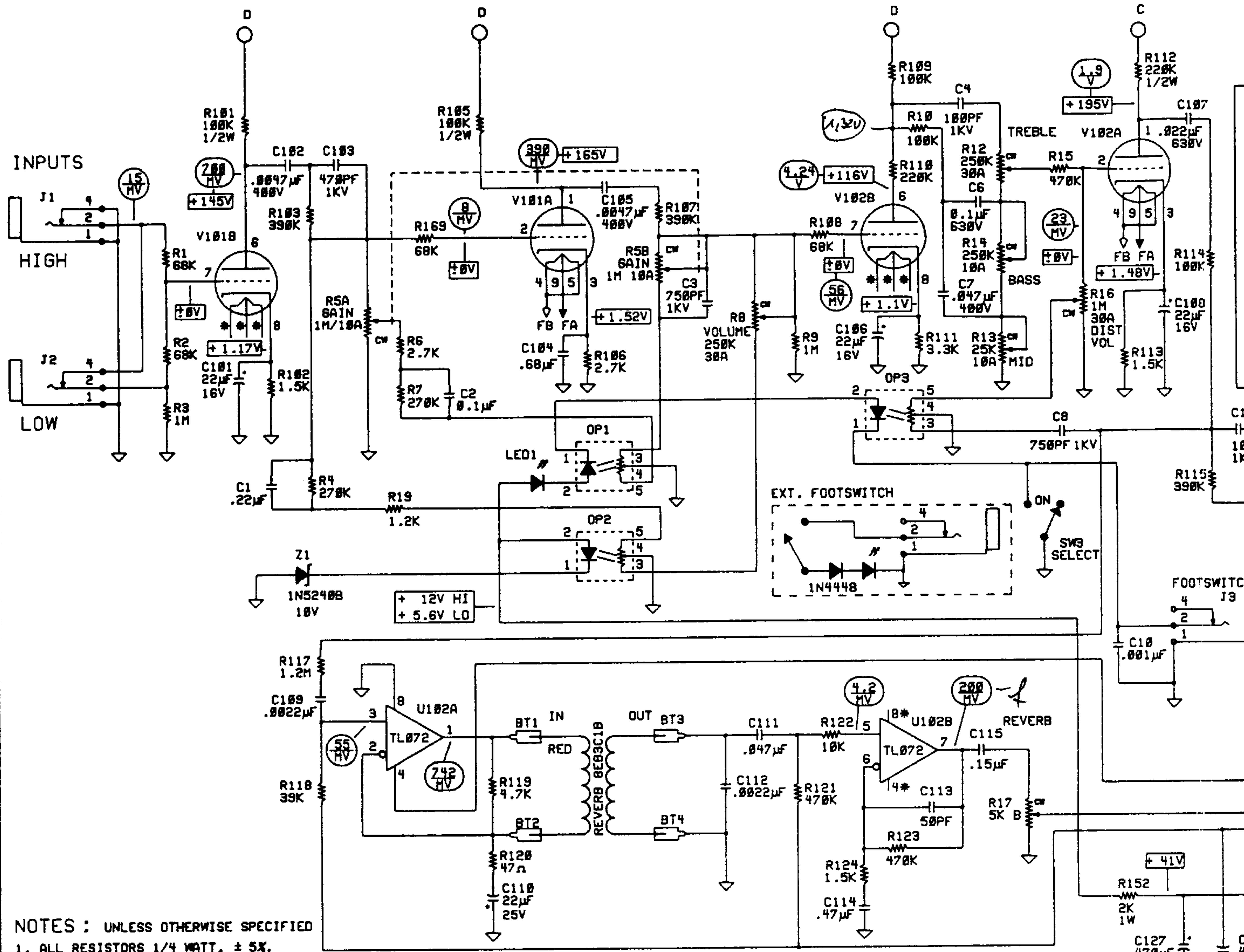


D

C

B

A



NOTES : UNLESS OTHERWISE SPECIFIED

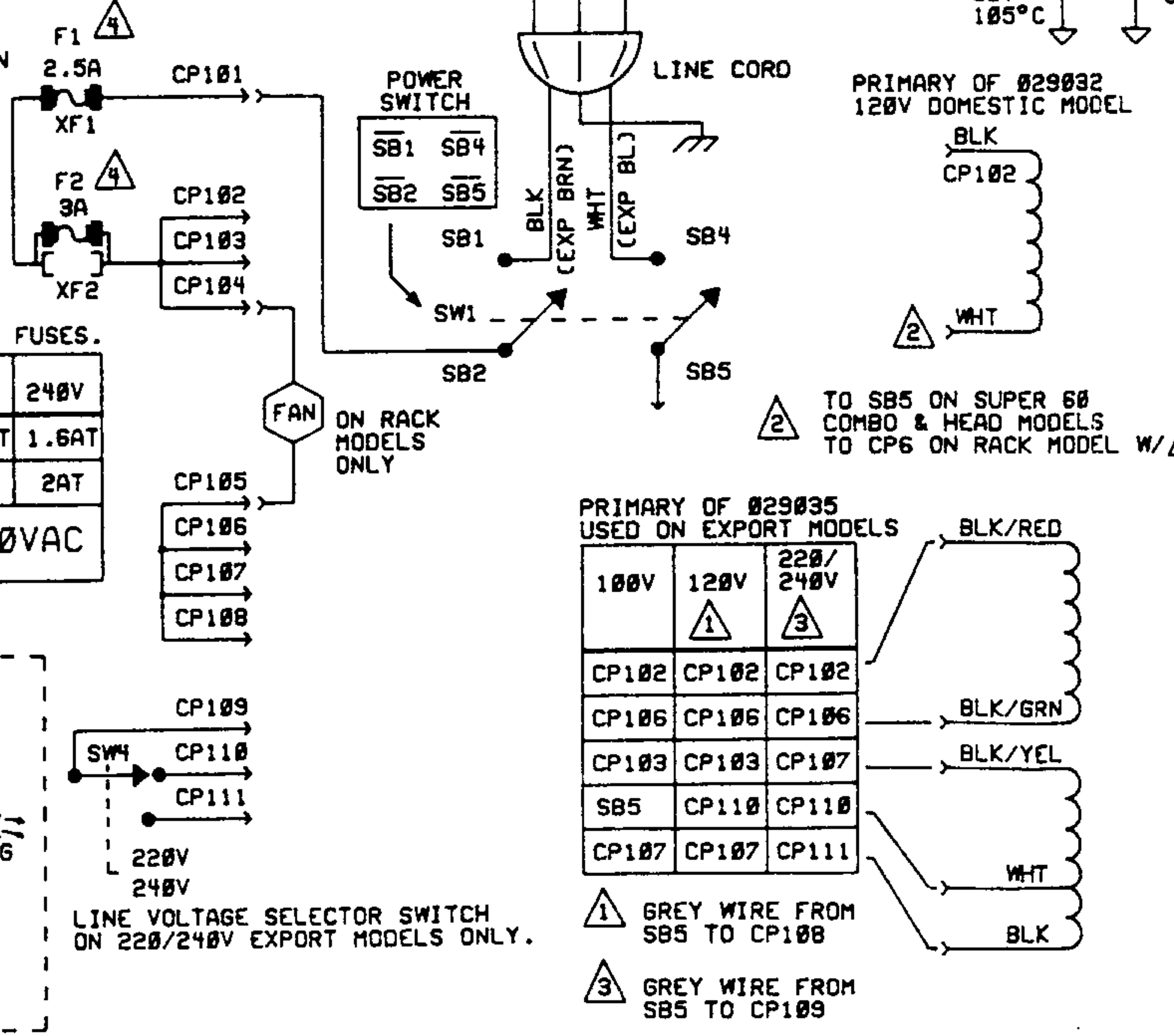
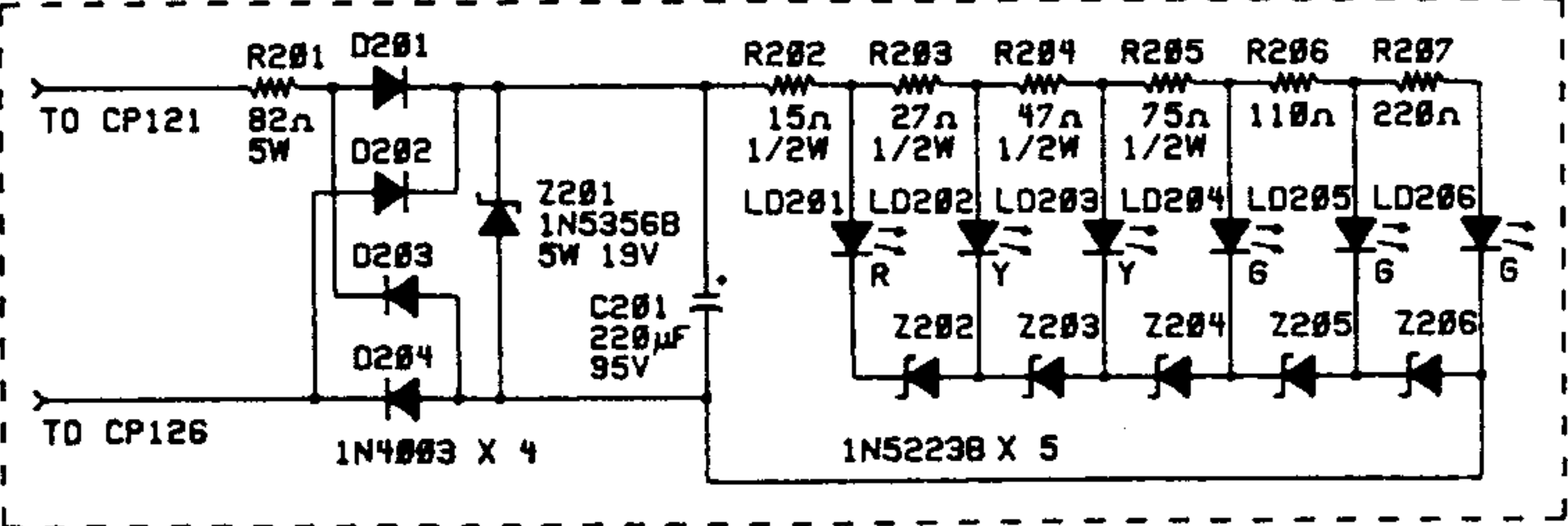
1. ALL RESISTORS 1/4 WATT, ± 5%.
2. ALL CAPACITORS 63 VOLT MINIMUM.
3. SIX DIGIT NUMBERS ARE FENDER P/N's.
4. ALL VOLTAGES MEASURED USING DVM WITH MINIMUM 1MEG INPUT IMPEDANCE, AND MAY VARY ± 20%.
5. DC VOLTAGES READ TO GROUND WITH NO INPUT TO AMP AND FOOTSWITCH DISCONNECTED. NOTE: ON U101 & U102 PINS 1, 2, 3, 5, 6, 7, MEASURE -15V.
6. AC RMS VOLTAGES ARE READ UNDER THE FOLLOWING CONDITIONS:
1 kHz SINE WAVE INPUT TO J1.
8Ω RESISTIVE LOAD ACROSS CP129/130.
REVERB CONTROL SET TO "0".
ALL OTHER CONTROLS SET TO 12 O'CLOCK.
SELECT SWITCH OFF.
GUITAR CORD CONNECTED BETWEEN PREAMP OUT & "POWER AMP IN" JACKS.
7. RATED OUTPUT POWER - 60 WATTS RMS AT 5% THD, UNDER SAME CONDITIONS AS NOTE 6, EXCEPT INPUT INTO J102, POWER AMP IN.

NOTE: 120V MODEL SHOWN

NOTE: USE ONLY SLO-BLO FUSES.

LINE VOLTAGE	180V	120V	220V	240V
F1	3A	2.5A	1.6AT	1.6AT
F2	4A	3A	2AT	2AT
MINIMUM VOLTAGE RATING	125VAC		250VAC	

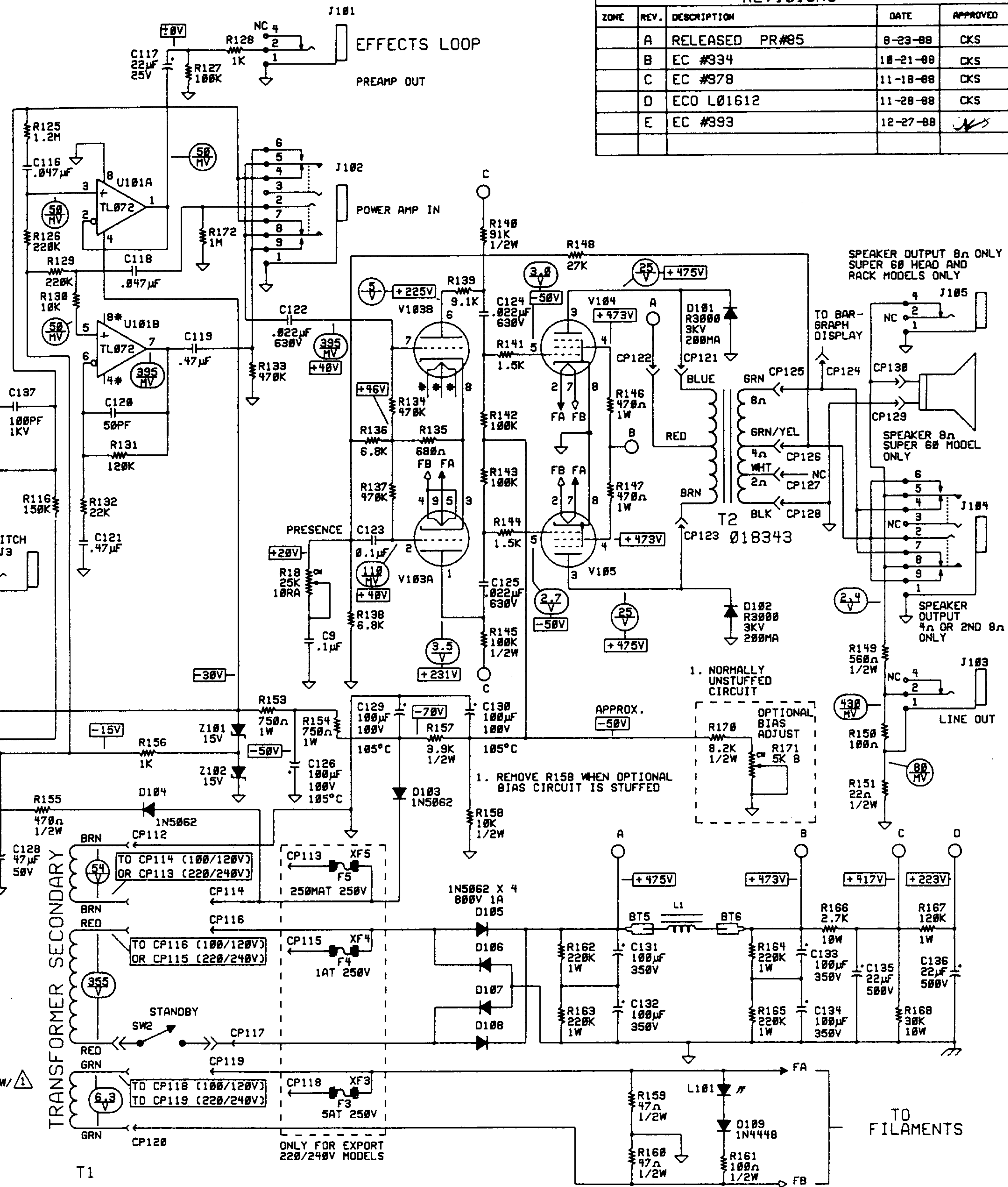
LED BARGRAPH DISPLAY (On Rack Model Only)



- 1 GREY WIRE FROM SB5 TO CP108
- 3 GREY WIRE FROM SB5 TO CP109

REVISIONS

ZONE	REV.	DESCRIPTION	DATE	APPROVED
	A	RELEASED PR#85	8-23-88	CKS
	B	EC #334	10-21-88	CKS
	C	EC #378	11-18-88	CKS
	D	ECO L01612	11-28-88	CKS
	E	EC #393	12-27-88	CKS



REF. DES.	ITEM	QTY	PART NO.	DESCRIPTION
DATABASE FILE:		S60_01		
CHECKED BY:		[Signature]		
DATE:		12-28-88		
APPROVED:		[Signature]		
DATE:		12-28-88		
TOLERANCES:		UNLESS OTHERWISE SPECIFIED: X.X ±0.5% X.XX ±0.1% X.XXX ±0.05% ANGLES ±0.5°		
NEXT HIGHER ASSEMBLY:		SUPER 60, SUPER RACK, SUPER 60 HEAD		
REF. DES.		ITEM		
QTY		PART NO.		
DESCRIPTION		PROPRIETARY THIS DRAWING DOCUMENT CONTAINS INFORMATION WHICH IS PROPRIETARY TO AND IS THE PROPERTY OF THE FENDER MUSICAL INSTRUMENTS CO. AND MAY NOT BE USED, REPRODUCED OR DISCLOSED IN ANY MANNER WITHOUT THE EXPRESSED WRITTEN CONSENT FROM: FENDER MUSICAL INSTRUMENTS CO. 1130 COLUMBIA ST. BREA, CALIFORNIA 92621		
TITLE:		SCHEMATIC DIAGRAM OF 60 SERIES TUBE AMPS.		
SIZE:		DRAWN: C. LINKENS DRAWING NUMBER: 028921 REV. E		
SCALE:		DATE: 8-23-88 SHEET 1 OF 1		

D

C

B

A

0028931000