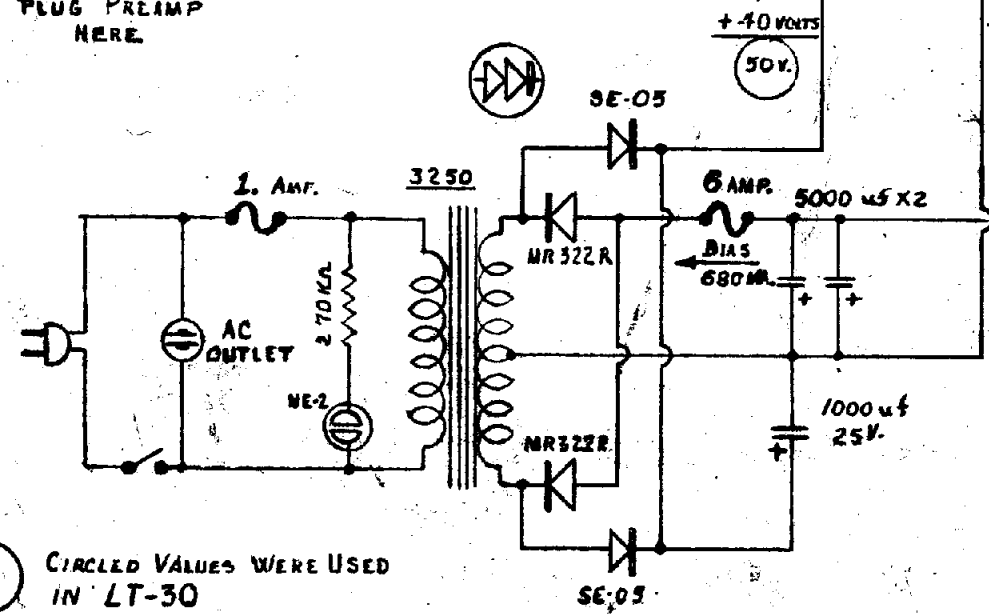


# ADJUST BIAS FOR A DC STAND-BY DRAIN OF 680 MA.

DTG 110

PLUG PREAMP HERE



(X) CIRCLED VALUES WERE USED IN LT-30  
 NEW VALUES ARE IMPROVEMENTS AND SHOULD BE USED FOR REPLACEMENT

<b>ELECTRO VOX INTERCOM</b>		
TITLE MODEL: LT-30 B AMPLIFIER LESS PREAMP.		
WITH REFERENCE TO LT-30		
MATERIAL	QUANTITY	SCALE
DESIGN A. DORION	VERIFIED DATE	APPROVED DATE
DATE 10-8-62		
CLIENT		DRAWING No. A7553