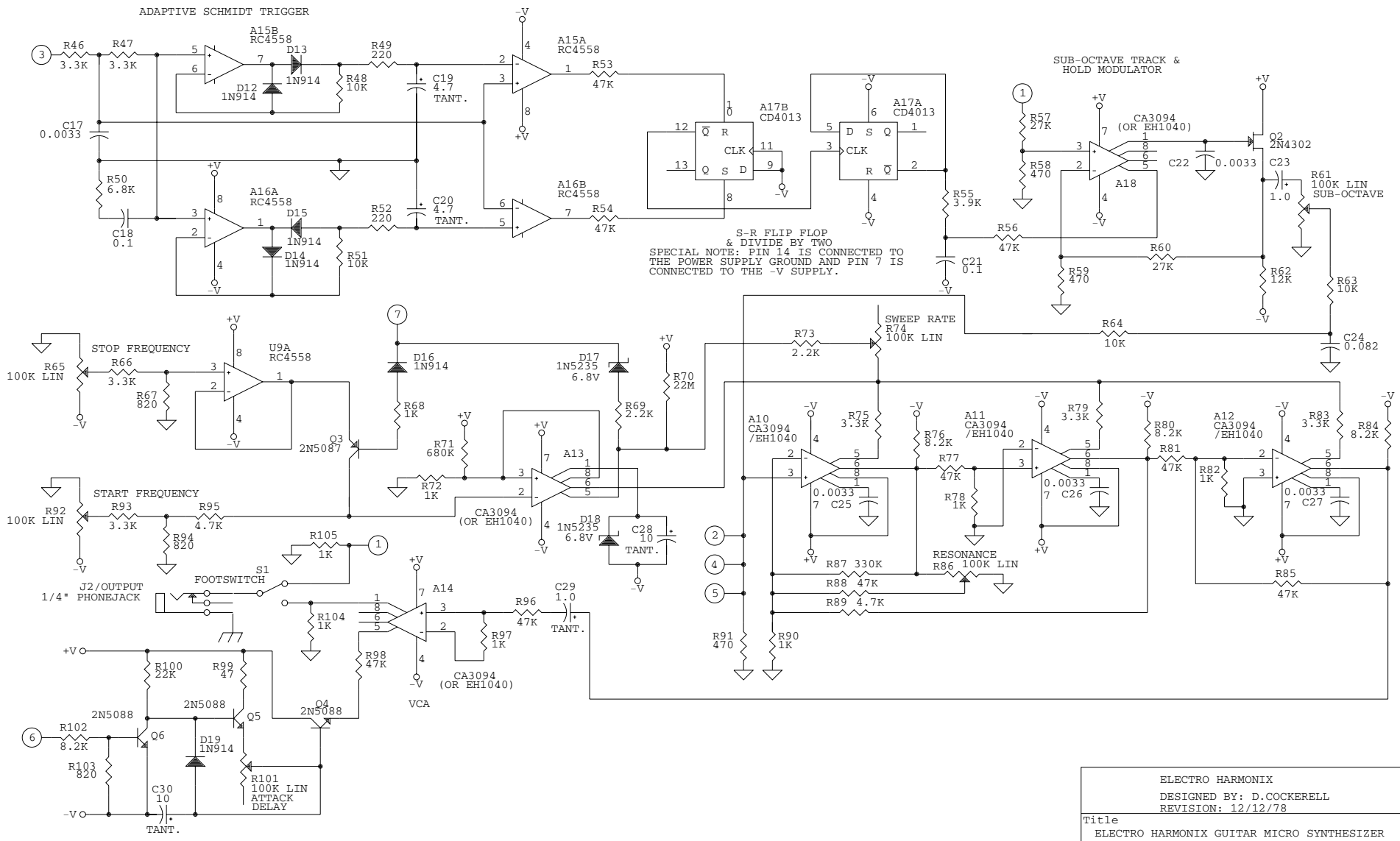


- ① TO SUB-OCTAVE TRACK & HOLD MODULATOR (A18) & OUTPUT
- ② ④ ⑤ TO VCF (A10)
- ③ TO ADAPTIVE SCHMITT TRIGGER
- ⑥ TO VCA SWEEP GENERATOR
- ⑦ TO VCF SWEEP GENERATOR

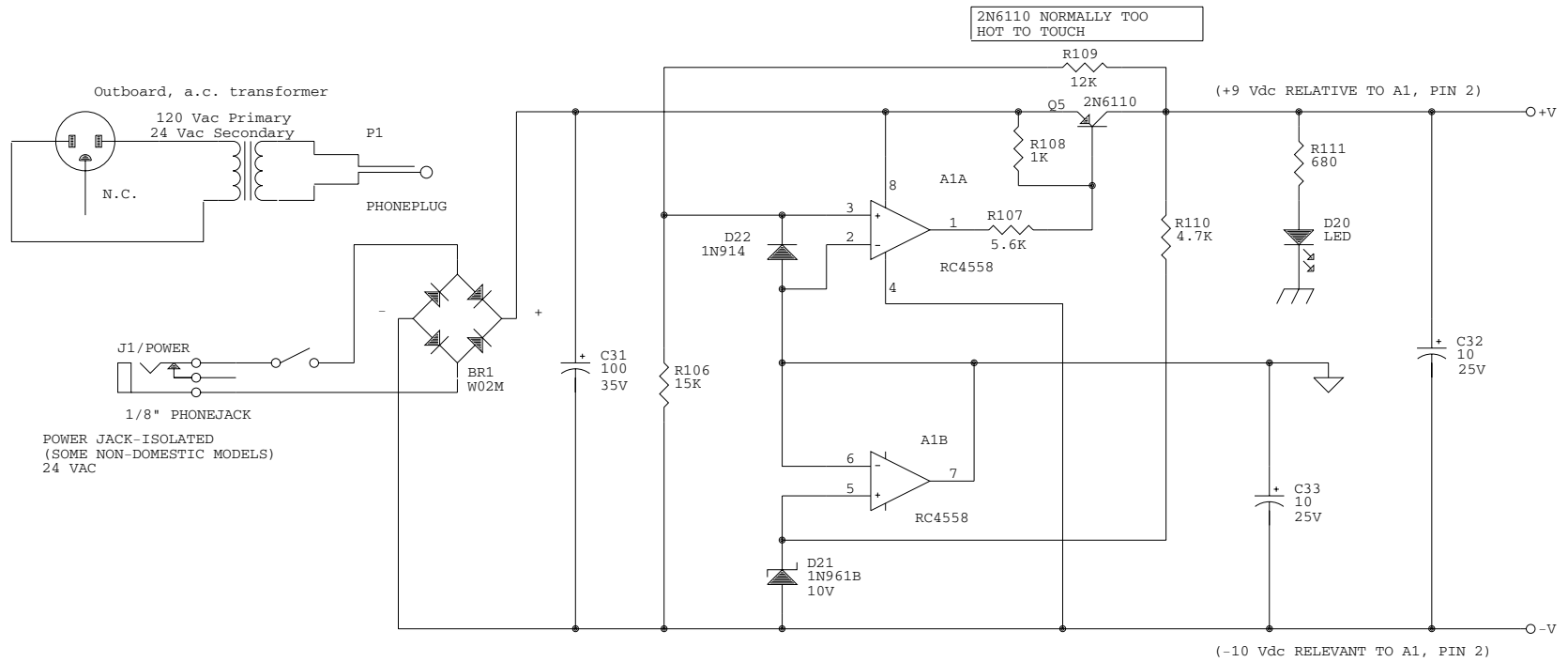
ELECTRO HARMONIX		
DESIGNED BY: D. COCKERELL		
REVISION: 12/12/78		
Title ELECTRO HARMONIX GUITAR MICRO SYNTHESIZER		
Size A	Document Number DRAWN BY: FABIAN P. HARTERY	REV 1
Date: September 28, 1996	Sheet	1 of 3

* ALL CAPACITOR VALUES IN MICROFARADS



* ALL CAPACITOR VALUES IN MICROFARADS

ELECTRO HARMONIX		
DESIGNED BY: D. COCKERELL		
REVISION: 12/12/78		
Title	ELECTRO HARMONIX GUITAR MICRO SYNTHESIZER	
Size	Document Number	REV
B	DRAWN BY: FABIAN P. HARTERY	1
Date: September 28, 1996	Sheet	2 of 3



ELECTRO HARMONIX		
DESIGNED BY: D. COCKERELL		
REVISION: 12/12/78		
Title		
ELECTRO HARMONIX GUITAR MICRO SYNTHESIZER		
Size	Document Number	REV
A	DRAWN BY: FABIAN P. HARTERY	1
Date:	September 28, 1996	Sheet 3 of 3