

AV RECEIVER

RX-V393/R-V503 RX-V493/R-V703

SERVICE MANUAL

IMPORTANT NOTICE

This manual has been provided for the use of authorized YAMAHA Retailers and their service personnel. It has been assumed that basic service procedures inherent to the industry, and more specifically YAMAHA Products, are already known and understood by the users, and have therefore not been restated.

WARNING: Failure to follow appropriate service and safety procedures when servicing this product may result in personal injury, destruction of expensive components, and failure of the product to perform as specified. For these reasons, we advise all YAMAHA product owners that any service required should be performed by an authorized YAMAHA Retailer or the appointed service representative.

IMPORTANT: The presentation or sale of this manual to any individual or firm does not constitute authorization, certification or recognition of any applicable technical capabilities, or establish a principle-agent relationship of any form.

The data provided is believed to be accurate and applicable to the unit(s) indicated on the cover. The research, engineering, and service departments of YAMAHA are continually striving to improve YAMAHA products. Modifications are, therefore, inevitable and specifications are subject to change without notice or obligation to retrofit. Should any discrepancy appear to exist, please contact the distributor's Service Division.

WARNING: Static discharges can destroy expensive components. Discharge any static electricity your body may have accumulated by grounding yourself to the ground buss in the unit (heavy gauge black wires connect to this buss).

IMPORTANT: Turn the unit OFF during disassembly and part replacement. Recheck all work before you apply power to the unit.

■ CONTENTS

<p>TO SERVICE PERSONNEL 1</p> <p>FRONT PANELS 2</p> <p>REAR PANELS 3~4</p> <p>SPECIFICATIONS 5~6</p> <p>INTERNAL VIEW 7</p> <p>DISASSEMBLY PROCEDURES 7~8</p> <p>SELF CHECK MODE 9~11</p> <p>PROTECTION OPERATION CHECK FUNCTION .. 12</p> <p>AMP ADJUSTMENTS 13</p> <p>TUNER ADJUSTMENTS 14~17</p>	<p>DISPLAY DATA 18</p> <p>IC DATA 19~22</p> <p>RX-V393/R-V503 PRINTED CIRCUIT BOARD .. 24~35</p> <p>RX-V493/R-V703 PRINTED CIRCUIT BOARD .. 36~47</p> <p>BLOCK DIAGRAM 48~50</p> <p>PIN CONNECTION DIAGRAM 51</p> <p>RX-V393/R-V503 SCHEMATIC DIAGRAM 52~55</p> <p>RX-V493/R-V703 SCHEMATIC DIAGRAM 56~59</p> <p>PARTS LIST 60~82</p> <p>REMOTE CONTROL TRANSMITTER 83~84</p>
---	---

100610

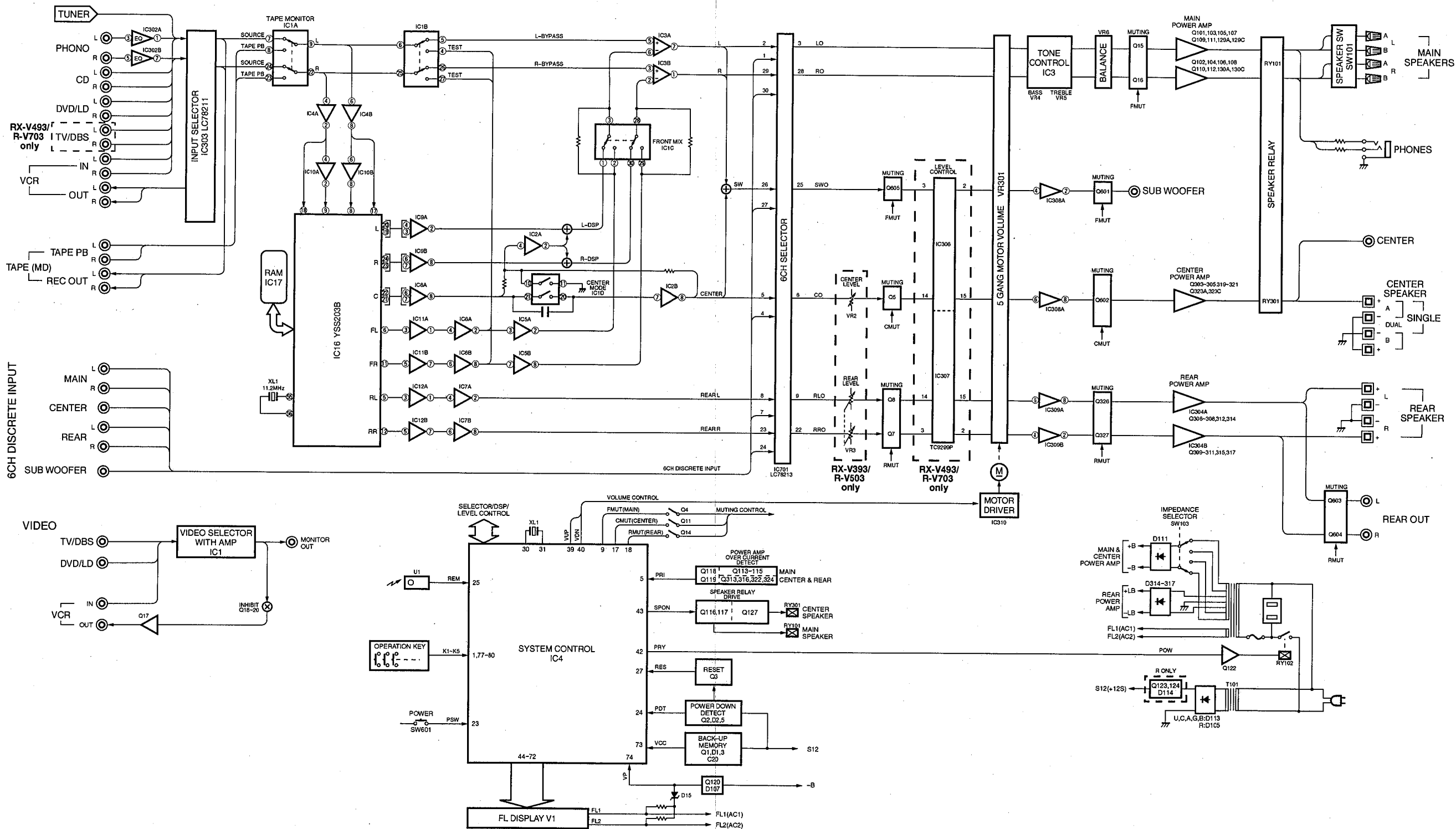
Copyright 2003 YAMAHA CORPORATION □
This manual is copyrighted by YAMAHA and may not be copied or □
redistributed either in print or electronically without permission.

YAMAHA
YAMAHA CORPORATION
P.O.Box1, Hamamatsu, Japan

2.05K-239 □ ⊗ Printed in Japan '98.1

RX-V393/R-V503
RX-V493/R-V703

BLOCK DIAGRAM



1

■ BLOCK DIAGRAM

2

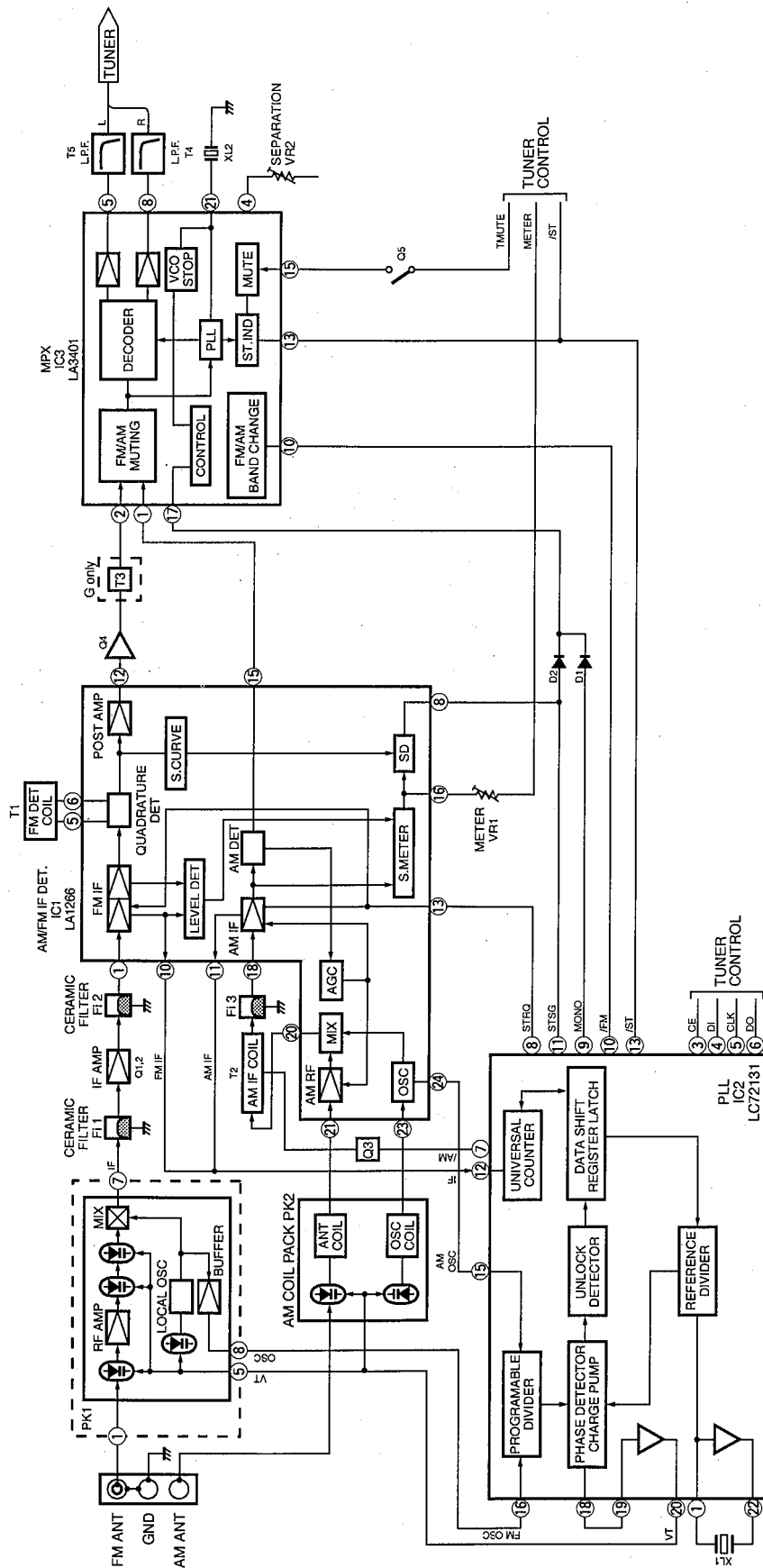
3

4

5

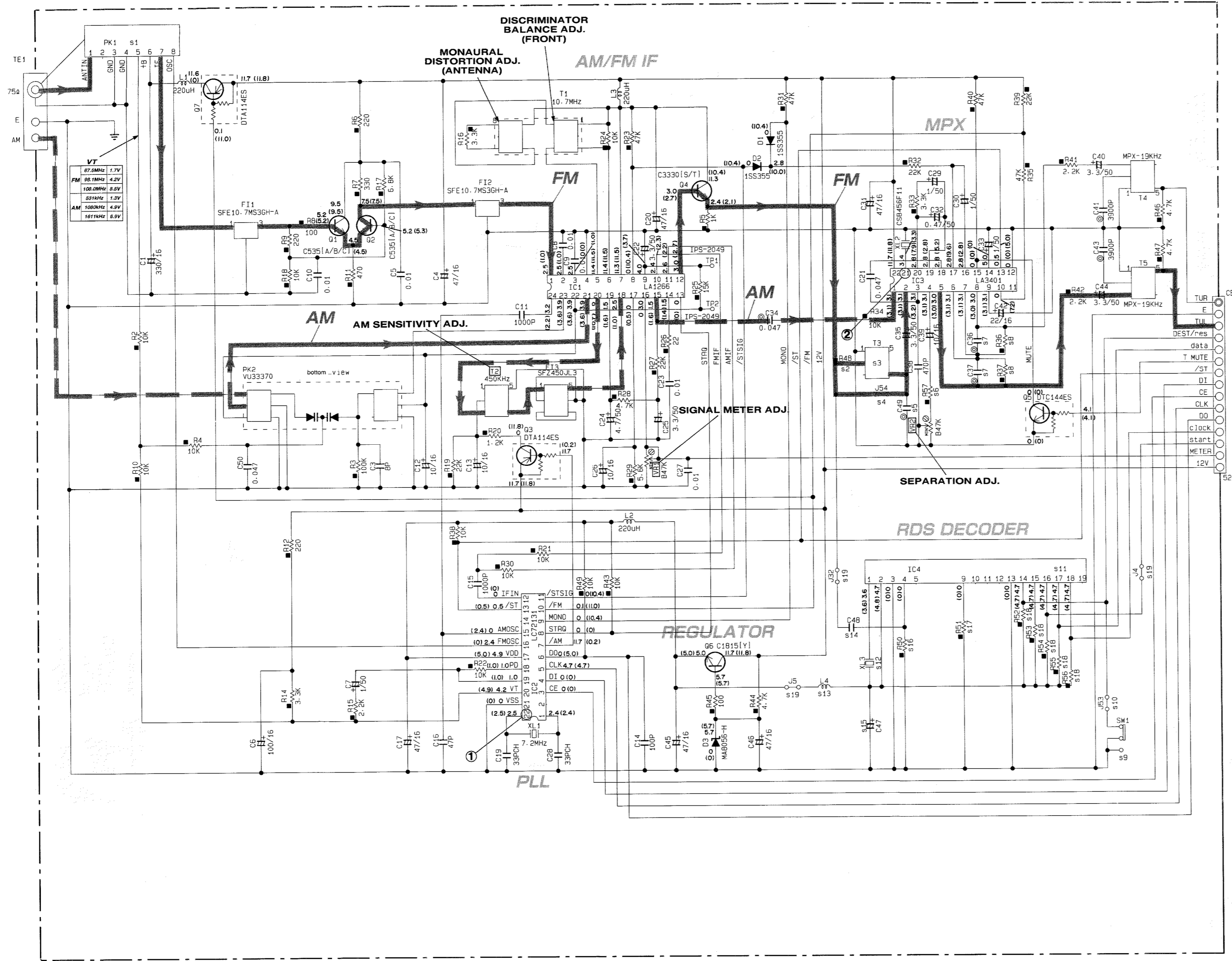
6

7



RX-V393/R-V503 SCHEMATIC DIAGRAM (TUNER)

Each voltage given here represents that in the FM (98.1MHz, STEREO) reception mode but the one in the parentheses () is measured in the AM (1080kHz, MAN'L) reception mode.



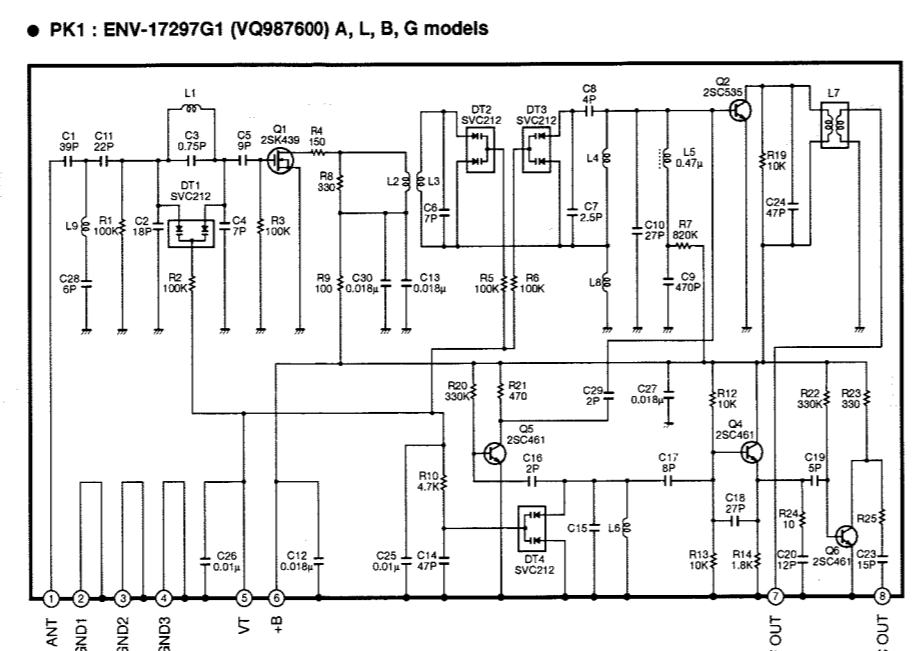
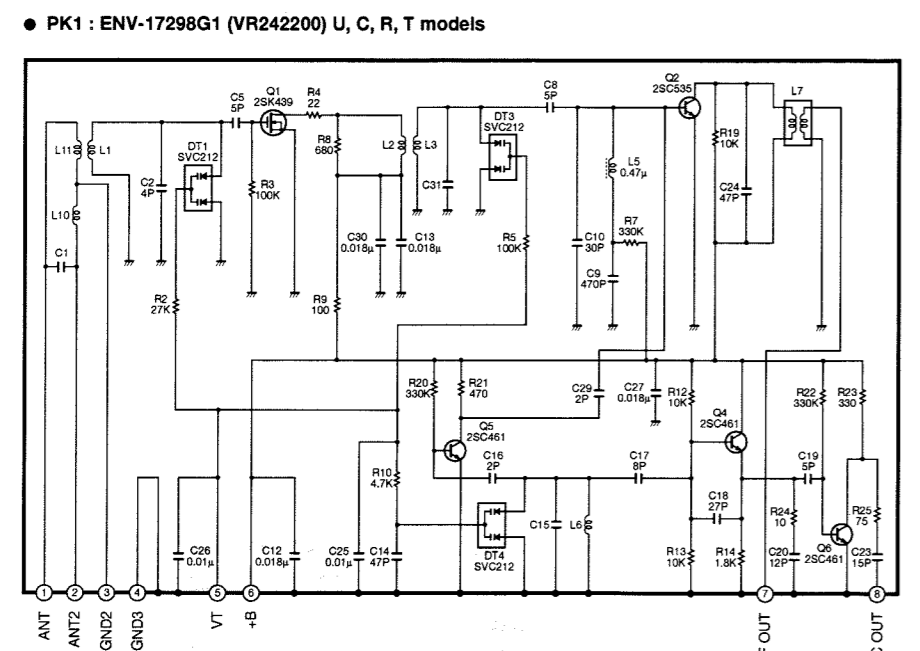
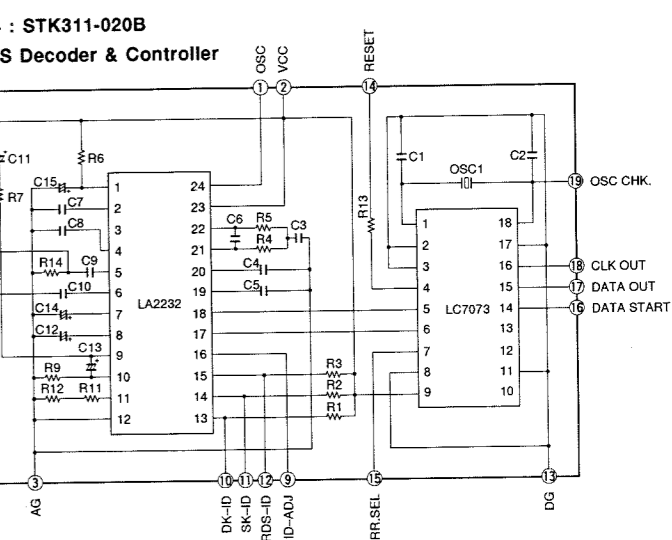
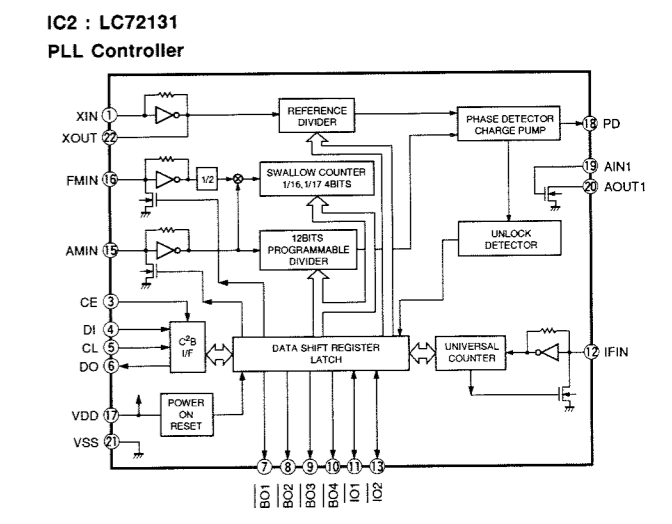
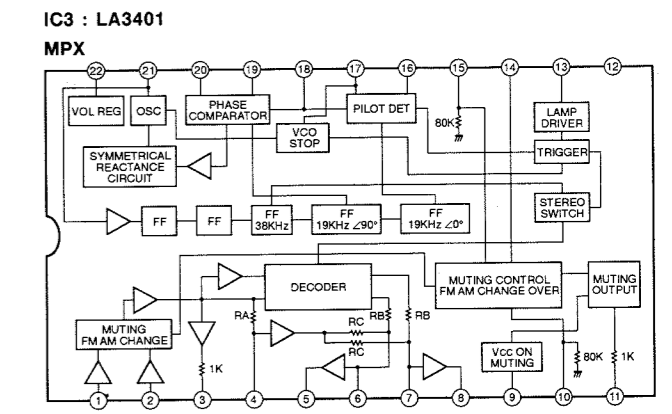
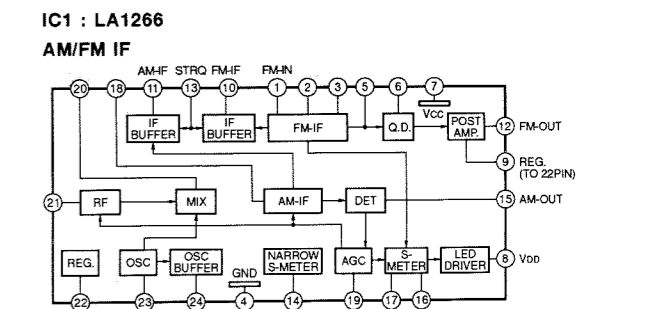
CIRCUIT CHANGES BY MARKET. NOT USED (square symbol), USED (circle symbol)

Table with columns for component types (PK1, R4B, T3, J54, R57, C36-37, R36-37, SW1, J53, IC3, XL3, L4, C48, C47, R50, R51, R52-56, J4.5-32) and their values for different markets (J, U-C, R, A-B-G-L, B-G/RDS).

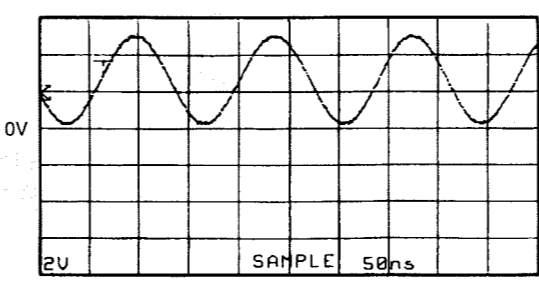
Capacitor legend table with columns for Remarks and Parts Name, listing various capacitor types like electrolytic, tantalum, ceramic, etc.

Resistor legend table with columns for Remarks and Parts Name, listing various resistor types like carbon film, metal oxide film, etc.

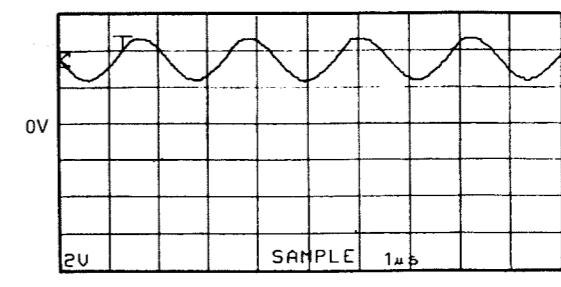
NOTICE (mode1) (J)..... JAPANESE (U)..... U.S.A (C)..... CANADIAN (R)..... GENERAL (A)..... AUSTRALIAN (B)..... BRITISH (G)..... EUROPEAN (T)..... CHINA (L)..... SINGAPORE



Point ① (Pin22 of IC2) FM reception V : 2V/div H : 50nsec/div DC range 1 : 1 probe

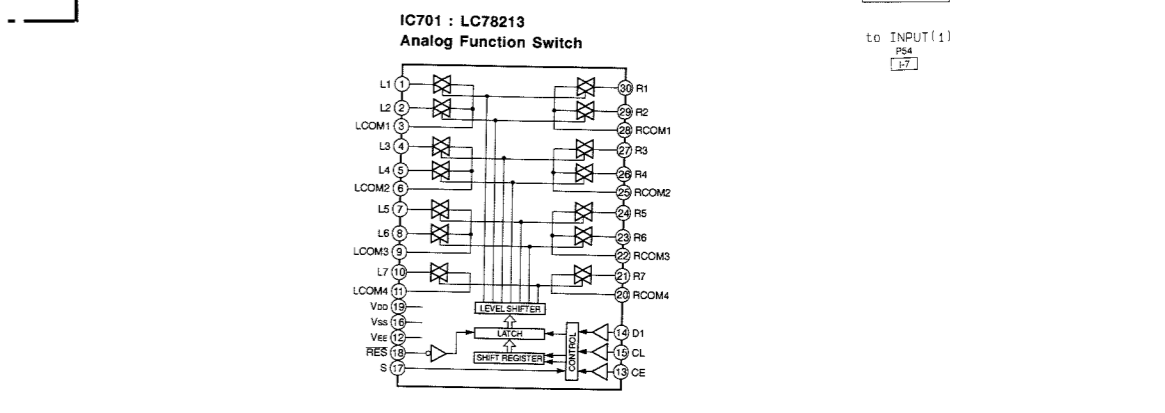
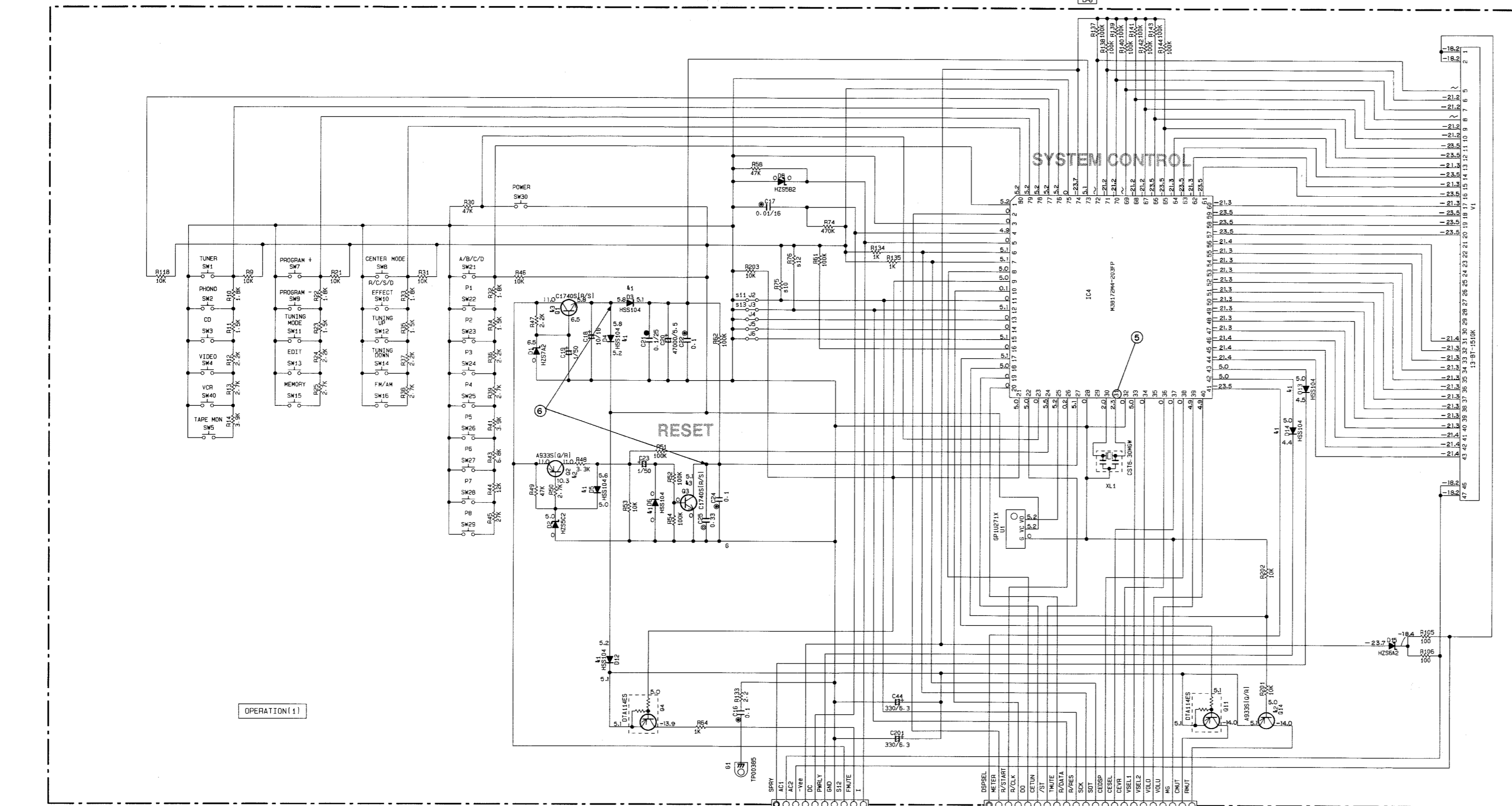
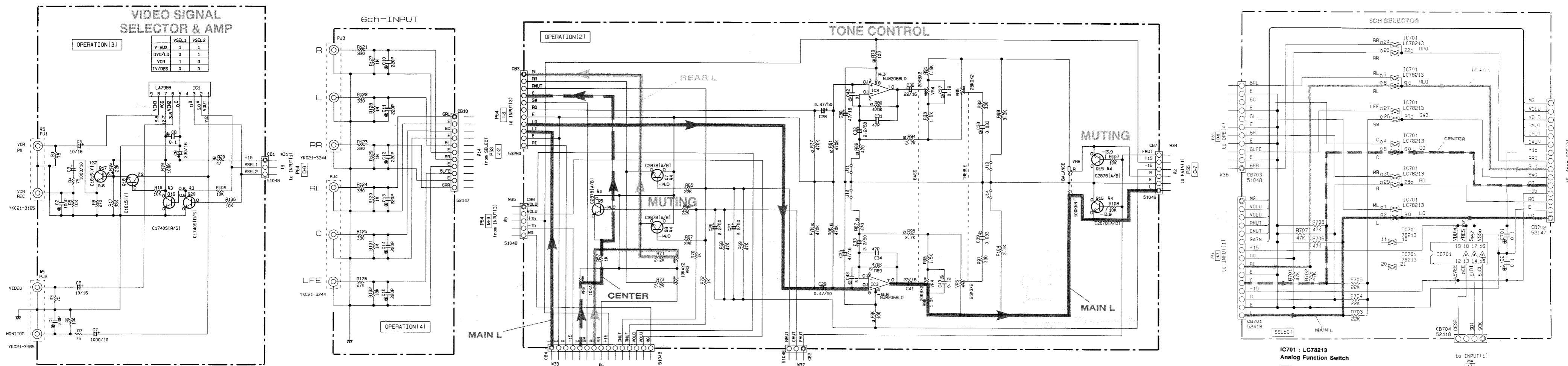


Point ② (Pin21 of IC3) V : 2V/div H : 1µsec/div DC range 1 : 1 probe



All voltages are measured with a 10MΩ/DC electric volt meter. Components having special characteristics are marked Δ and must be replaced with parts having specifications equal to those originally installed. Schematic diagram is subject to change without notice.

RX-V393/R-V503 SCHEMATIC DIAGRAM (OPERATION)



CIRCUIT CHANGES BY MARKET:

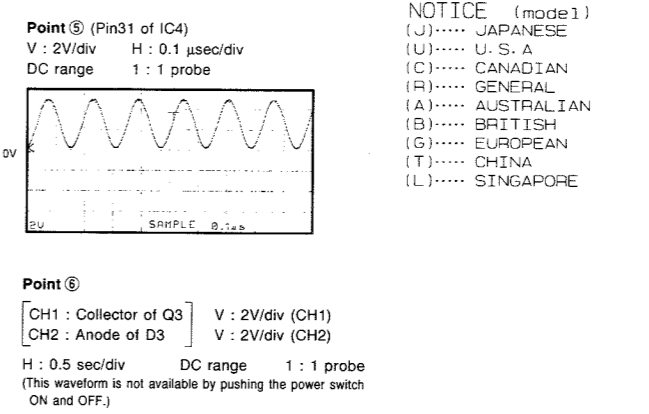
	U.C.	R.T.	A.	G.
R1		X	X	
R2				
R3				
R4				
R5				
R6				
R7				
R8				
R9				
R10				
R11				
R12				
R13				
R14				
R15				
R16				
R17				
R18				
R19				
R20				
R21				
R22				
R23				
R24				
R25				
R26				
R27				
R28				
R29				
R30				
R31				
R32				
R33				

RESISTOR

REMARKS	PARTS NAME
NO MARK	CARBON FILM RESISTOR (P-5)
□	CARBON FILM RESISTOR (P-10)
△	METAL OXIDE FILM RESISTOR
▲	METAL FILM RESISTOR
■	METAL PLATE RESISTOR
⊠	FIRE PROOF CARBON FILM RESISTOR
⊡	CEMENT MOLDED RESISTOR
⊞	MICA CAPACITOR
⊞	SEMI VARIABLE RESISTOR
⊞	CHIP RESISTOR

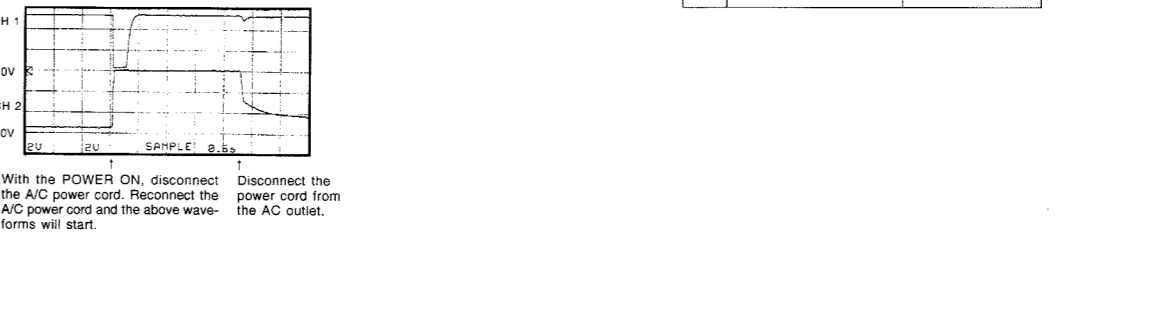
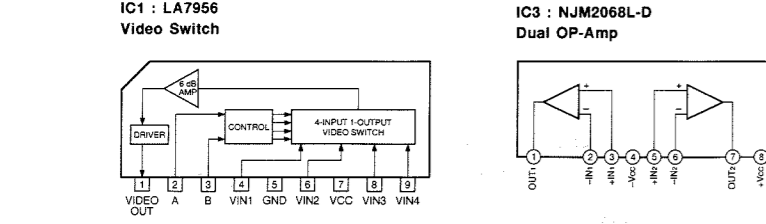
CAPACITOR

REMARKS	PARTS NAME
NO MARK	ELECTROLYTIC CAPACITOR
⊙	TANTALUM CAPACITOR
NO MARK	CERAMIC CAPACITOR
⊙	CERAMIC TUBULAR CAPACITOR
⊙	POLYESTER FILM CAPACITOR
⊙	POLYSTYRENE FILM CAPACITOR
⊙	MICA CAPACITOR
⊙	POLYPROPYLENE FILM CAPACITOR
⊙	SEMICONDUCTIVE CERAMIC CAPACITOR



Interchangeable Parts at Manufacture-Stage

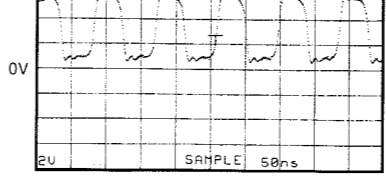
Mark	Reference Parts Number	Parts Name
A1	D3-6-12-14	H5S104 15S133 15S179
A2	92-14	25A9336(Ia/R) 25A11316(P) 25A13081G/R/S1
A3	01-3-19-20	25C17405(Ia/R/S) 25C2803(Ie/F) 25C3311(Ia/G/R/S1)
A4	02-7-8-15-16	25C2878(Ia/R/S) 25D1915(Ie/F1)
A5	P41-2	YK21-3165 R4-107B-04-C351A



All voltages are measured with a 10MΩ/DC electric volt meter.
Components having special characteristics are marked Δ and must be replaced with parts having specifications equal to those originally installed.
Schematic diagram is subject to change without notice.

RX-V393/R-V503 SCHEMATIC DIAGRAM (INPUT)

Point ④ (Pin55 of IC16)
V : 2V/div H : 50 nsec/div
DC range 1 : 1 probe



RESISTOR

REMARKS	PARTS NAME
NO MARK	CARBON FILM RESISTOR (P=5)
□	CARBON FILM RESISTOR (P=10)
△	METAL OXIDE FILM RESISTOR
▲	METAL FILM RESISTOR
△	METAL PLATE RESISTOR
■	FIRE PROOF CARBON FILM RESISTOR
○	CERMET WEDGE RESISTOR
◇	SEMI-VARIABLE RESISTOR
●	COMP. RESISTOR

CAPACITOR

REMARKS	PARTS NAME
NO MARK	ELECTROLYTIC CAPACITOR
○	TANTALUM CAPACITOR
○	CERAMIC CAPACITOR
○	CERAMIC LUNAR CAPACITOR
○	POLYESTER FILM CAPACITOR
○	POLYSTYRENE FILM CAPACITOR
○	MICA CAPACITOR
○	POLYPROPYLENE FILM CAPACITOR
●	SEMICONDUCTIVE CERAMIC CAPACITOR

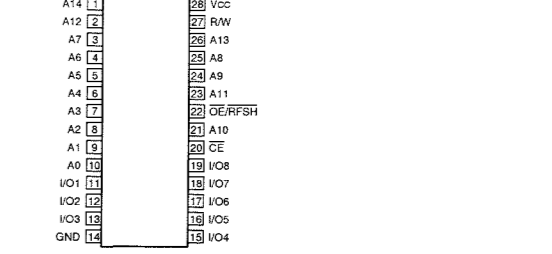
NOTICE [mode1]

(J)..... JAPANESE
 (U)..... U.S.A.
 (C)..... CANADIAN
 (G)..... GENERAL
 (A)..... AUSTRALIAN
 (B)..... BRITISH
 (E)..... EUROPEAN
 (T)..... CHINA
 (L)..... SINGAPORE

CIRCUIT CHANGES BY MARKET

IC	IC NO.	IC	REPLACE
11	CR2-304	A	20P (1490821)
12	CR2	A	20P (1490821)
13	CR2	A	20P (1490821)
14	CR2	A	20P (1490821)
15	CR2	A	20P (1490821)
16	CR2	A	20P (1490821)
17	CR2	A	20P (1490821)
18	CR2	A	20P (1490821)
19	CR2	A	20P (1490821)
20	CR2	A	20P (1490821)

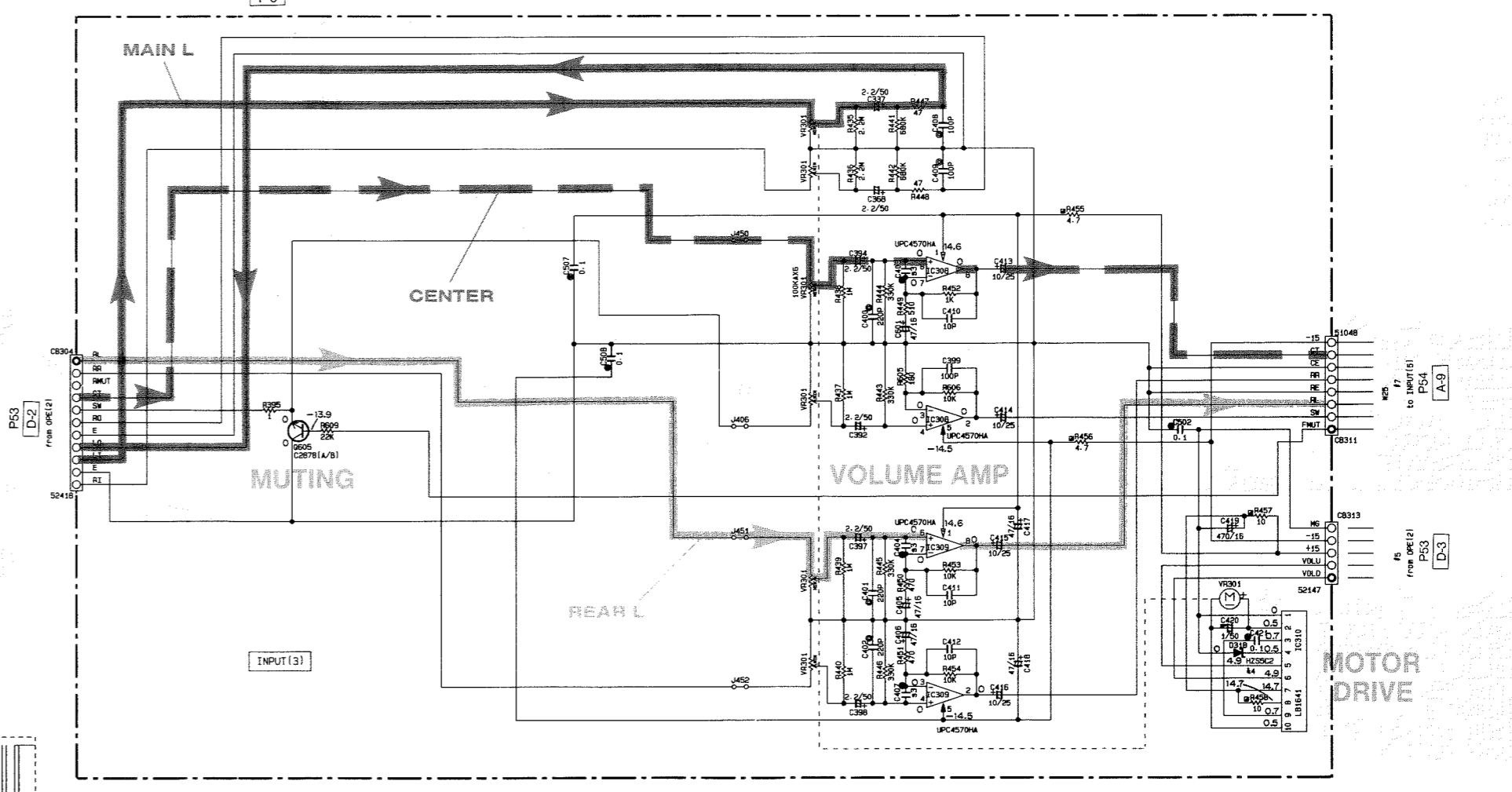
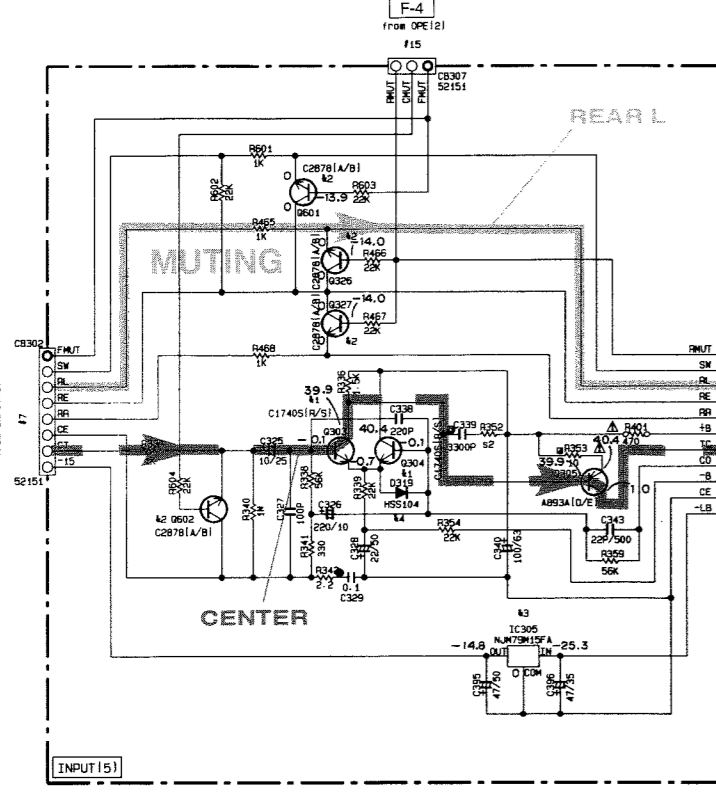
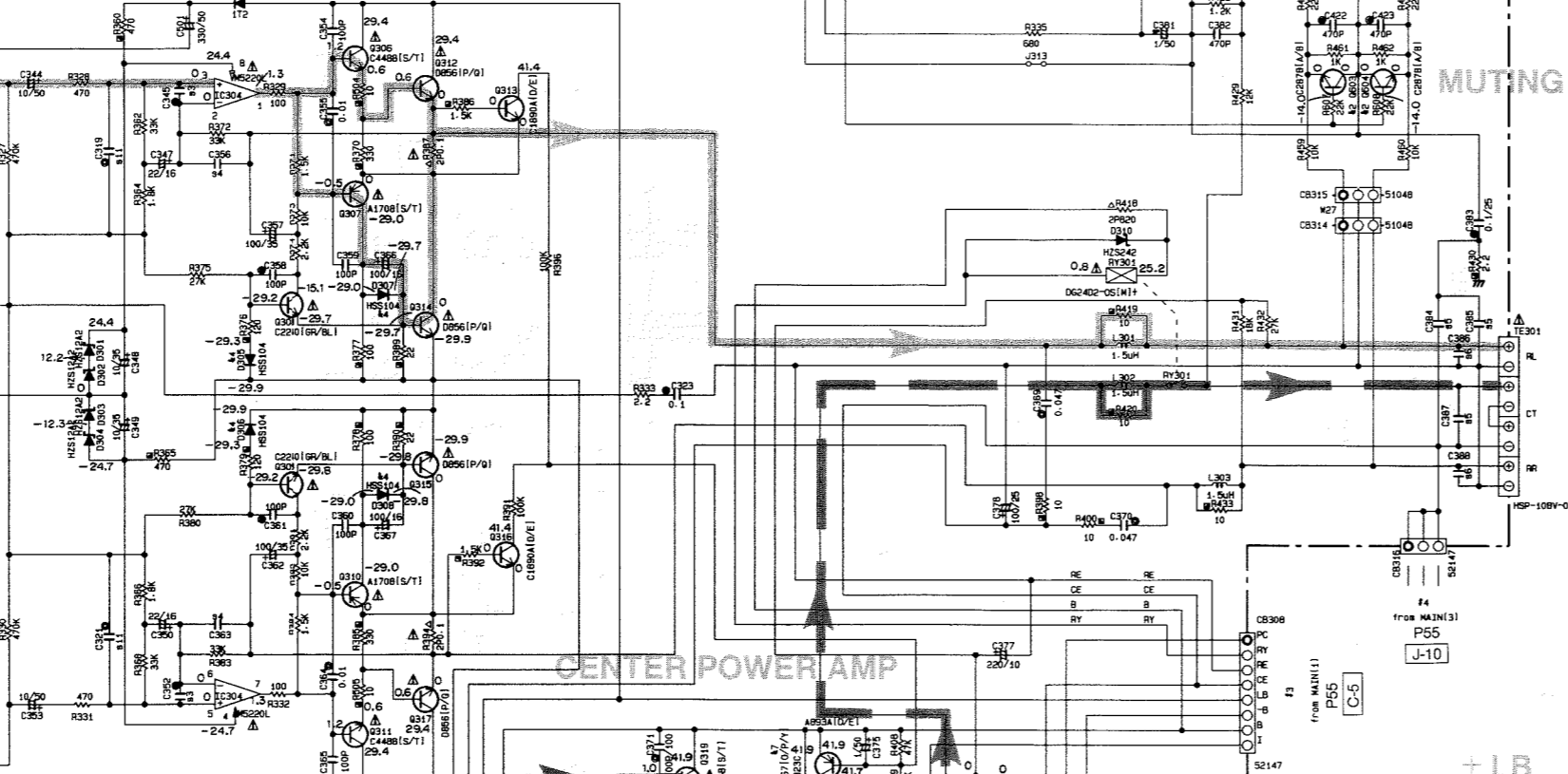
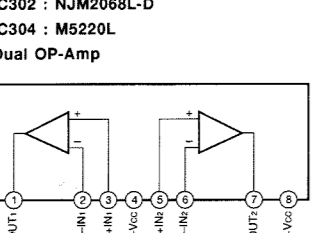
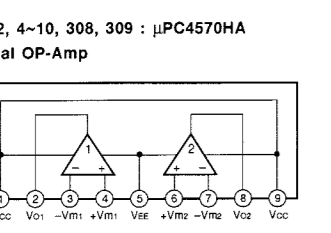
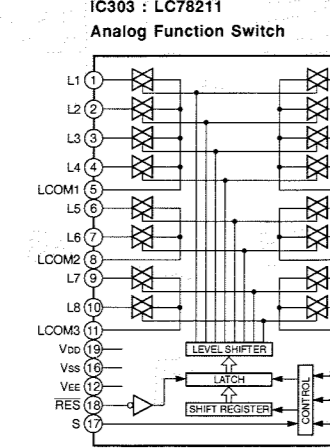
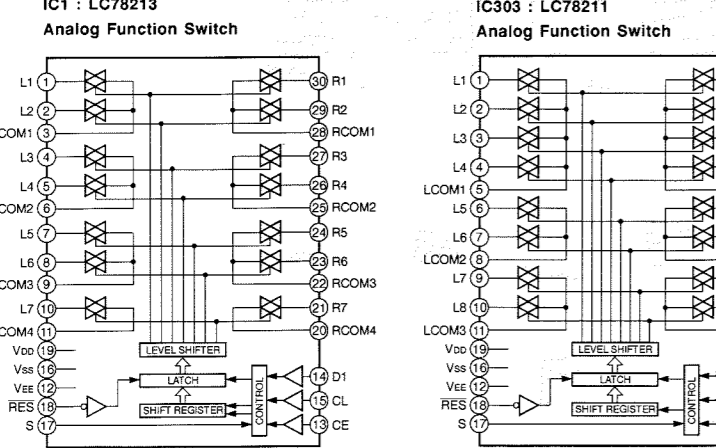
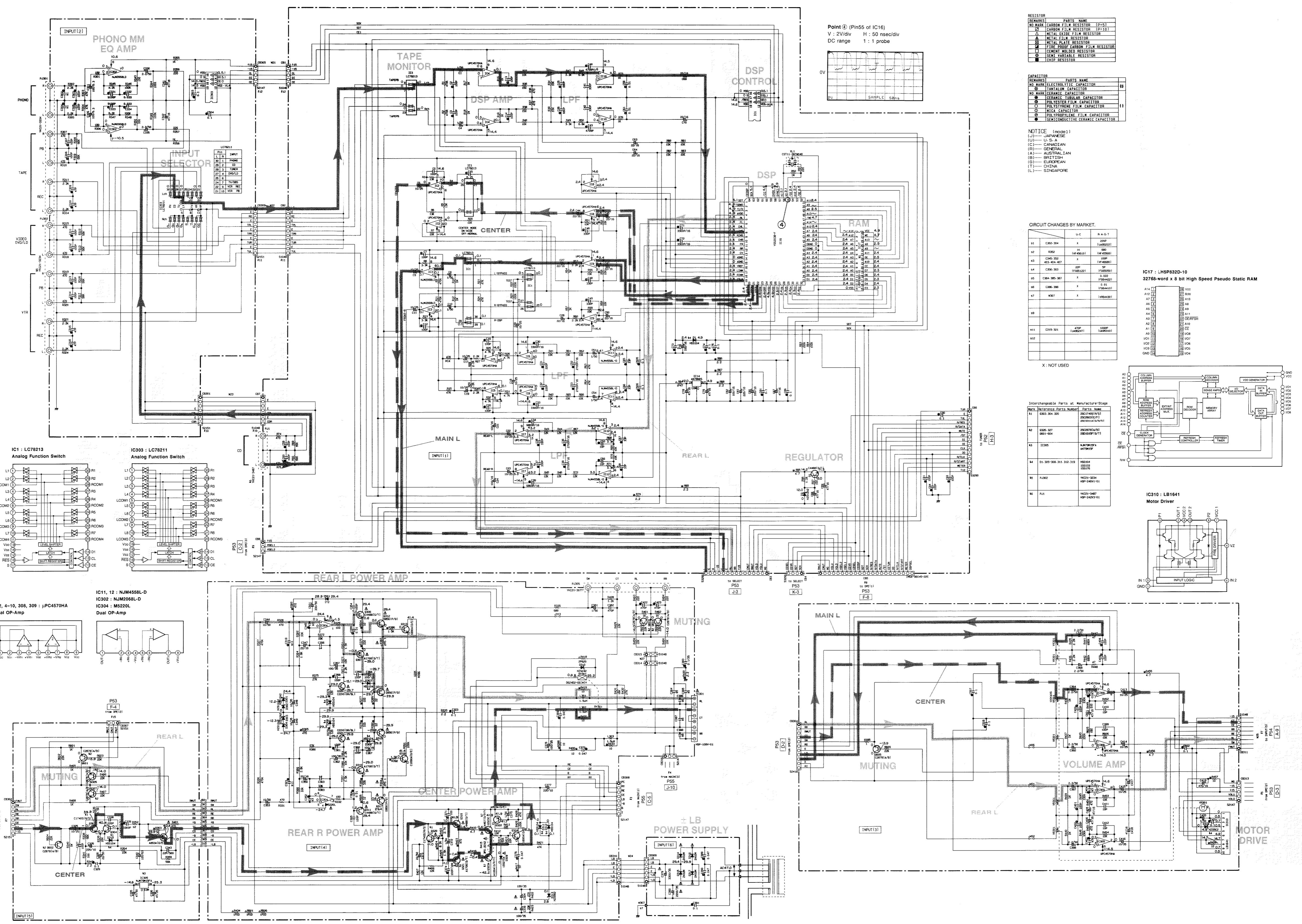
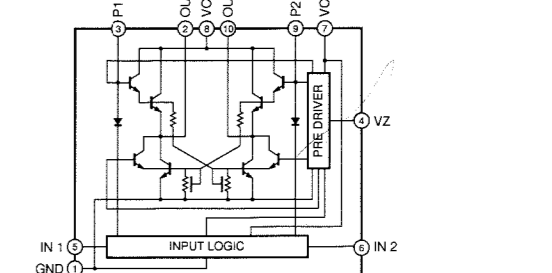
IC17 : LH59632D-10
32768-word x 8-bit High Speed Pseudo Static RAM



Interchangeable Parts at Manufacture Stage

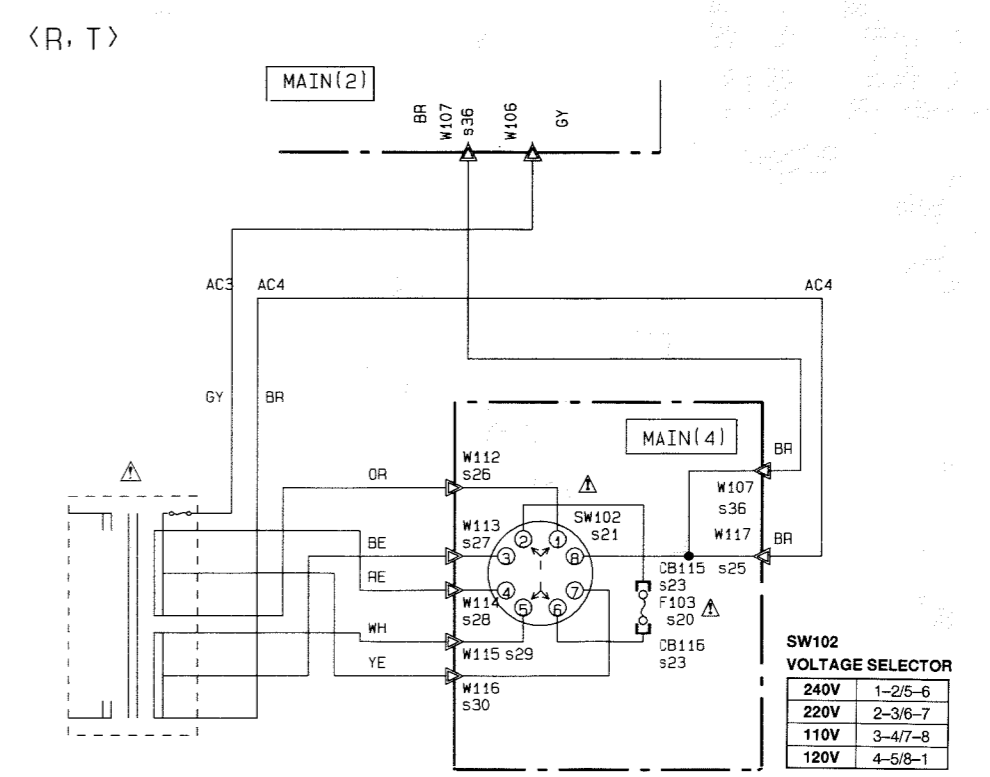
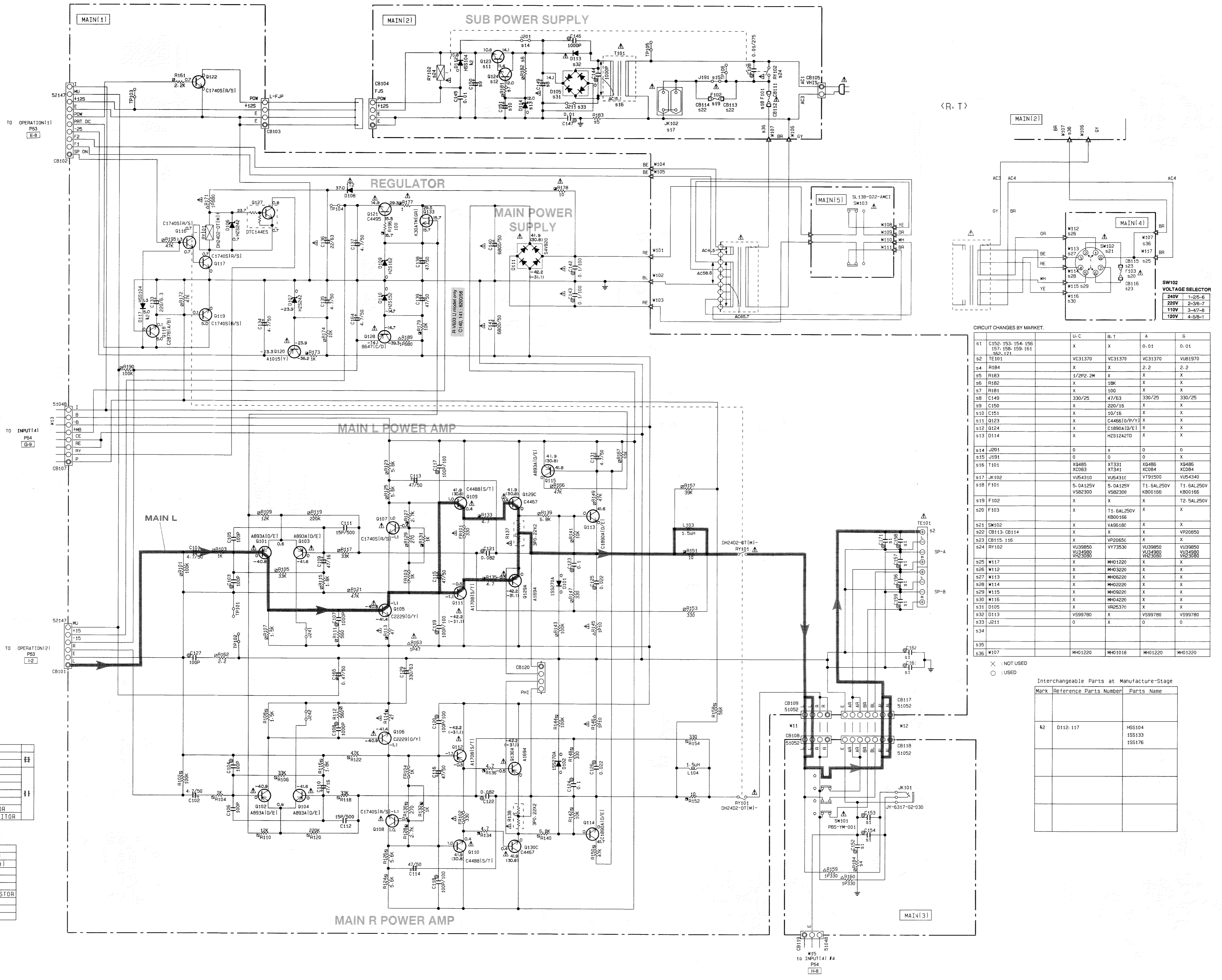
MARK	Interchange Parts Number	Parts Name
11	9000-001	20P (1490821)
12	9000-002	20P (1490821)
13	9000-003	20P (1490821)
14	9000-004	20P (1490821)
15	9000-005	20P (1490821)
16	9000-006	20P (1490821)
17	9000-007	20P (1490821)
18	9000-008	20P (1490821)
19	9000-009	20P (1490821)
20	9000-010	20P (1490821)

IC310 : LB1641
Motor Driver



All voltages are measured with a 10MΩ/DC electric volt meter.
 Components having special characteristics are marked △, and must be replaced with parts having specifications equal to those originally installed.
 Schematic diagram is subject to change without notice.

RX-V393/R-V503 SCHEMATIC DIAGRAM (MAIN)



CIRCUIT CHANGES BY MARKET.

Part No.	U-C	R-T	A	G
81	C150, 153, 154, 156, 157, 158, 159, 161, 160, 171	X	X	0.01, 0.01
82	TE101	VC31370	VC31370	VC31370
84	R184	X	X	2.2, 2.2
85	R183	1/2PP, 2M	X	X
86	R182	X	18K	X
87	R181	X	100	X
88	C148	330/25	47/63	330/25, 330/25
89	C150	X	220/16	X
90	C151	X	10/16	X
91	Q123	X	C44851 (P/P)/1	X
92	Q124	X	C1890A1D/E1	X
93	D114	X	HZS12A2T0	X
94	J201	0	X	0
95	J191	0	X	0
96	T101	XG485, XC0B3	XT331, XT341	XG486, XG486, XC0B4, XC0B4
97	JK102	VU54310	VU54310	VU54310, VU54340
98	F101	5.0A125V, VS82300	5.0A125V, VS82300	T1.6AL250V, KB00166, T1.6AL250V, KB00166
99	F102	X	X	T2.5AL250V
90	F103	X	T1.6AL250V, KB00166	X
921	SW102	X	V49618C	X
922	CB113, CB114	X	X	VP20650
923	CB115, 116	X	VP2065C	X
924	RY102	VU39850, VU34980, VU32800	VY73530	VU39850, VU34980, VU32800
925	M117	X	MH01220	X
926	M112	X	MH03220	X
927	M113	X	MH06220	X
928	M114	X	MH02220	X
929	M115	X	MH05220	X
930	M116	X	MH04220	X
931	D105	X	VR25370	X
932	D113	X	V599780	X
933	J211	0	X	0
934				
935				
936	M107	MH01220	MH01018	MH01220, MH01220

X : NOT USED
 O : USED

Interchangeable Parts at Manufacture-Stage

Mark	Reference Parts Number	Parts Name
82	D112-117	HSS104, 1SS133, 1SS176

NOTICE (model)
 (J)..... JAPANESE
 (U)..... U. S. A
 (C)..... CANADIAN
 (R)..... GENERAL
 (A)..... AUSTRALIAN
 (B)..... BRITISH
 (E)..... EUROPEAN
 (T)..... CHINA
 (L)..... SINGAPORE

CAPACITOR

REMARKS	PARTS NAME
NO MARK	ELECTROLYTIC CAPACITOR
⊖	TANTALUM CAPACITOR
NO MARK	CERAMIC CAPACITOR
⊙	CERAMIC TUBULAR CAPACITOR
⊗	POLYESTER FILM CAPACITOR
○	POLYSTYRENE FILM CAPACITOR
⊕	MICA CAPACITOR
⊖	POLYPROPYLENE FILM CAPACITOR
⊙	SEMICONDUCTIVE CERAMIC CAPACITOR

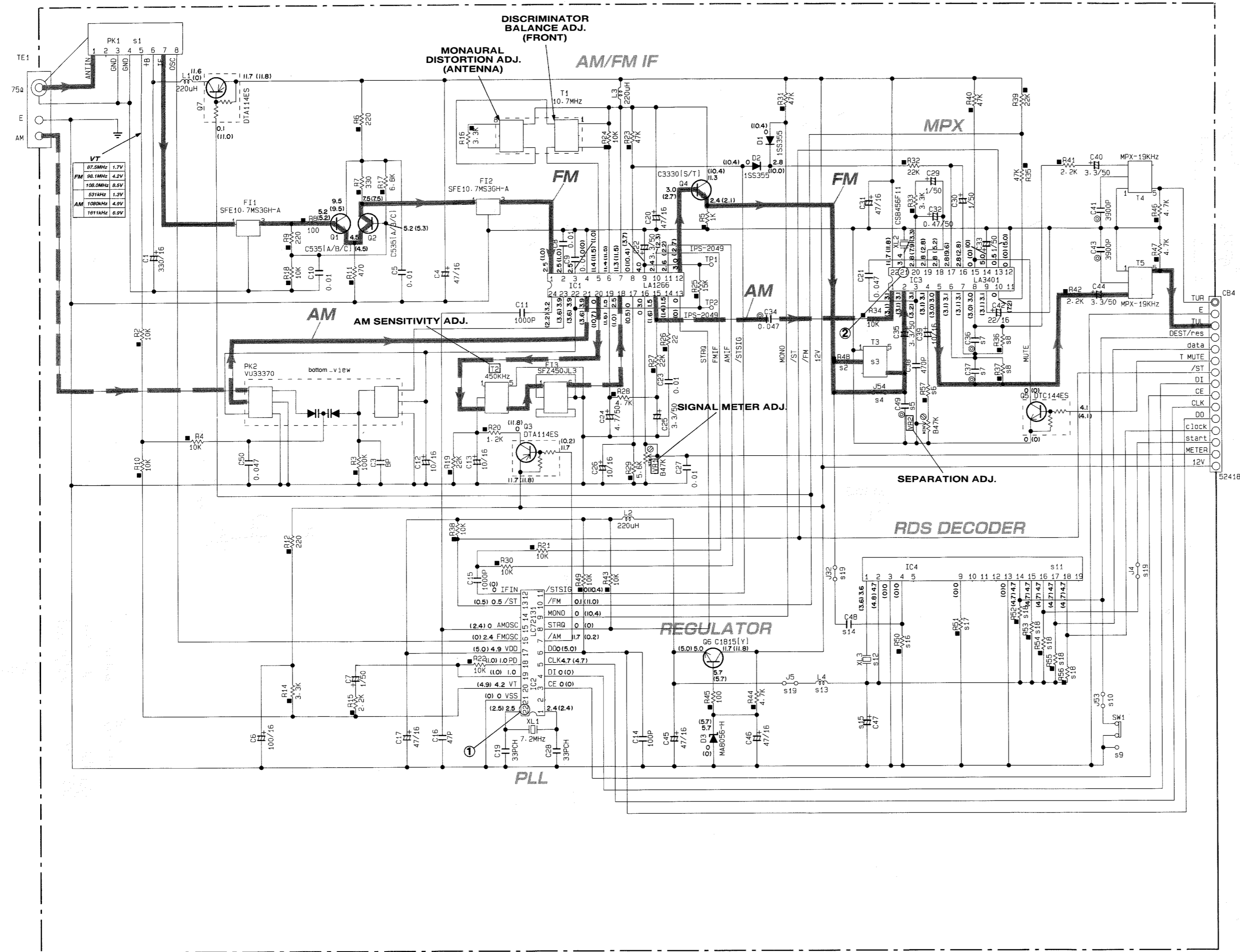
RESISTOR

REMARKS	PARTS NAME
NO MARK	CARBON FILM RESISTOR (P=5)
□	CARBON FILM RESISTOR (P=10)
△	METAL OXIDE FILM RESISTOR
⊠	METAL FILM RESISTOR
⊞	METAL PLATE RESISTOR
⊞	FIRE-PROOF CARBON FILM RESISTOR
□	CEMENT MOLDED RESISTOR
⊞	SEMI-VARIABLE RESISTOR
■	CHIP RESISTOR

All voltages are measured with a 10MΩ/DC electric volt meter.
 Components having special characteristics are marked Δ and must be replaced with parts having specifications equal to those originally installed.
 Schematic diagram is subject to change without notice.

RX-V493/R-V703 SCHEMATIC DIAGRAM (TUNER)

Each voltage given here represents that in the FM (98.1MHz, STEREO) reception mode but the one in the parentheses () is measured in the AM (1080kHz, MAN'L) reception mode.



CIRCUIT CHANGES BY MARKET.

S	J	U-C	R	A-B-G-L	B-G/RDS
1	PK1	VR60440	VR24220	VR24220	V098760
2	R4B				4.7K
3	T3				XYA2
4	J54				
5	C49	470P	470P	470P	120P
6	R57	22K	22K	22K	1K
7	C36-37	680P	1000P	1000P	470P
8	R36-37	75K	75K	75K	100K
9	SM1				V560260
10	J53				
11	IC4				STK311-020B
12	XL3				CSB456F33
13	L4				220UH
14	C4B				100P
15	C47				47/15
16	R50				47K
17	R51				33K
18	R52-56				10K
19	J4-S-32				
20					

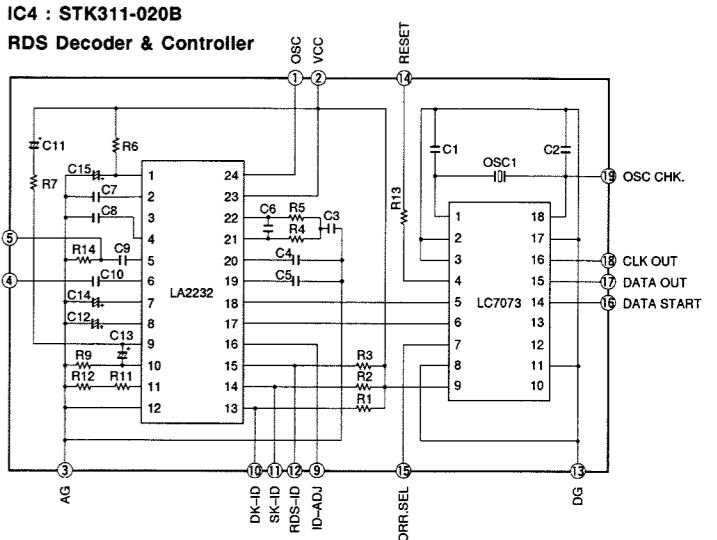
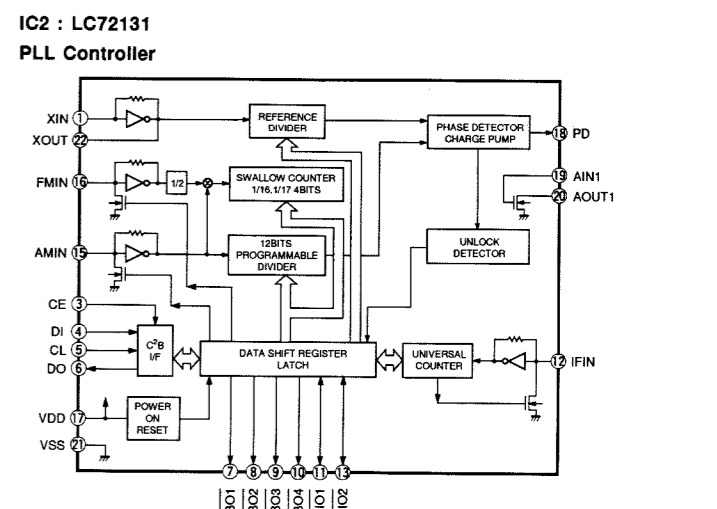
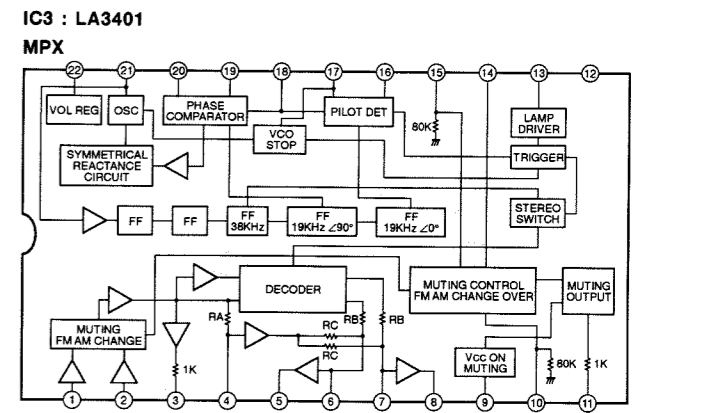
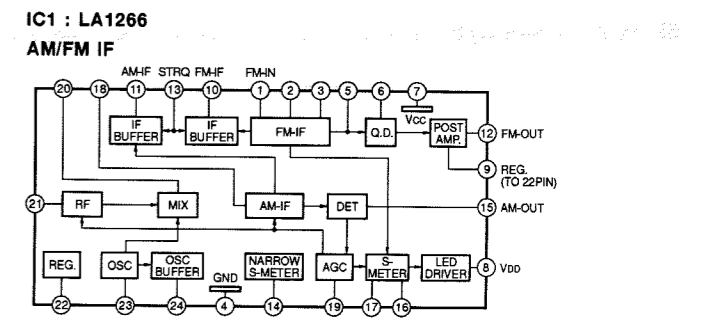
CAPACITOR

REMARKS	PARTS NAME
NO MARK	ELECTROLYTIC CAPACITOR
⊗	TANTALUM CAPACITOR
NO MARK	CERAMIC CAPACITOR
⊙	CERAMIC TUBULAR CAPACITOR
⊖	POLYESTER FILM CAPACITOR
⊕	POLYSTYRENE FILM CAPACITOR
⊖	MICA CAPACITOR
⊕	POLYPROPYLENE FILM CAPACITOR
⊖	SEMICONDUCTIVE CERAMIC CAPACITOR

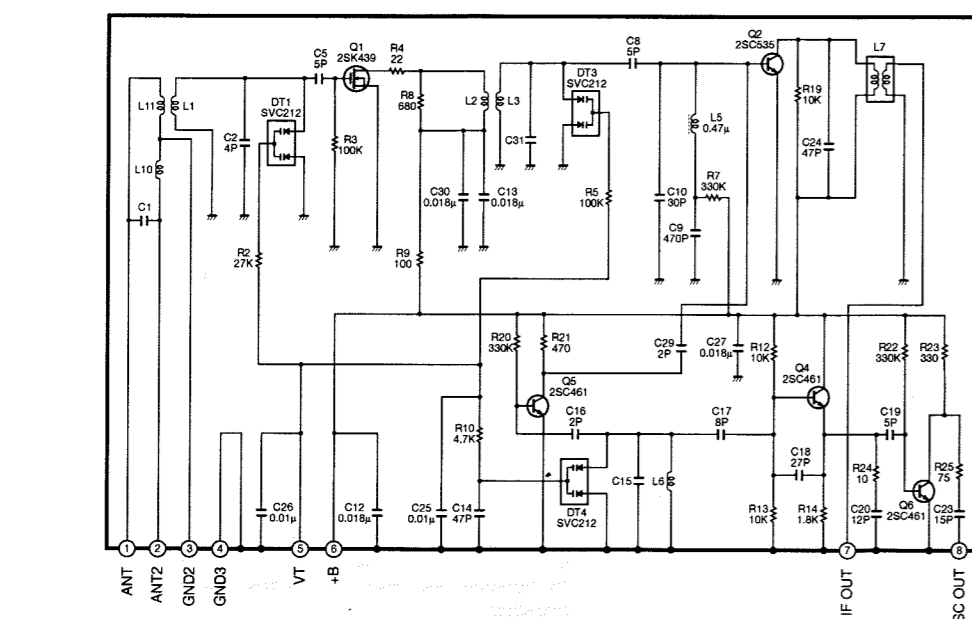
RESISTOR

REMARKS	PARTS NAME
NO MARK	CARBON FILM RESISTOR (P=5)
⊗	CARBON FILM RESISTOR (P=10)
⊕	METAL OXIDE FILM RESISTOR
⊖	METAL FILM RESISTOR
⊕	METAL PLATE RESISTOR
⊖	FIRE PROOF CARBON FILM RESISTOR
⊕	CEMENT MOLDED RESISTOR
⊖	SEMI VARIABLE RESISTOR
⊕	CHIP RESISTOR

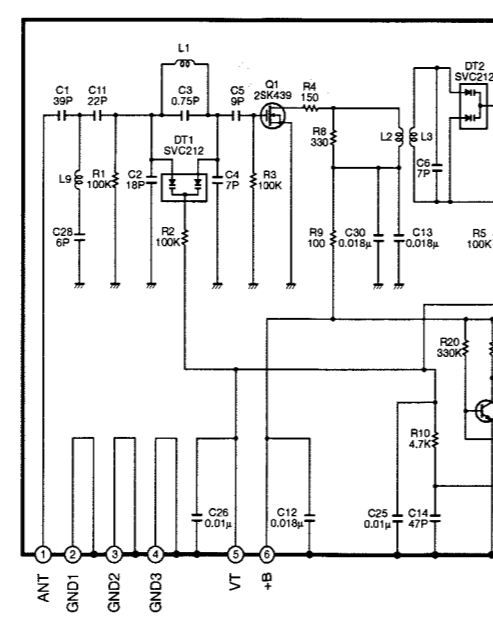
NOTICE (mode1)
 (J)..... JAPANESE
 (U)..... U.S.A
 (C)..... CANADIAN
 (A)..... GENERAL
 (R)..... AUSTRALIAN
 (B)..... BRITISH
 (G)..... EUROPEAN
 (T)..... CHINA
 (L)..... SINGAPORE



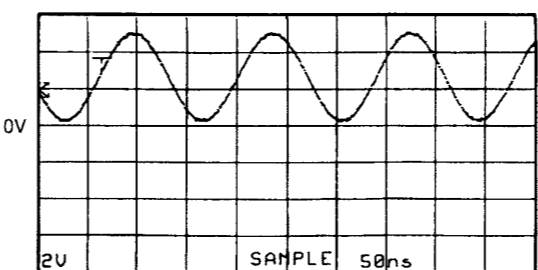
● PK1 : ENV-17298G1 (VR242200) U, C, R, T models



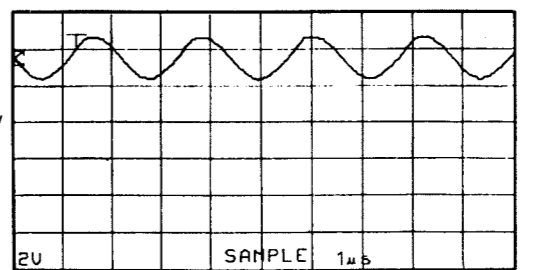
● PK1 : ENV-17297G1 (VQ987600) A, L, B, G models



Point ① (Pin22 of IC2) FM reception
 V : 2V/div H : 50nsec/div
 DC range 1 : 1 probe

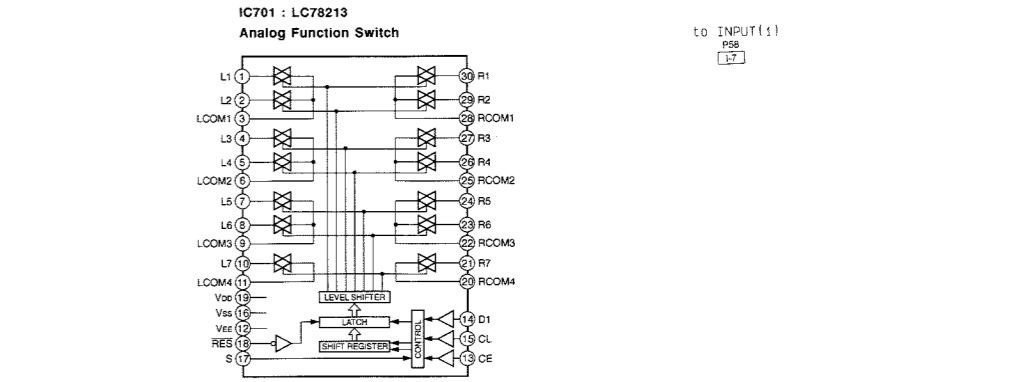
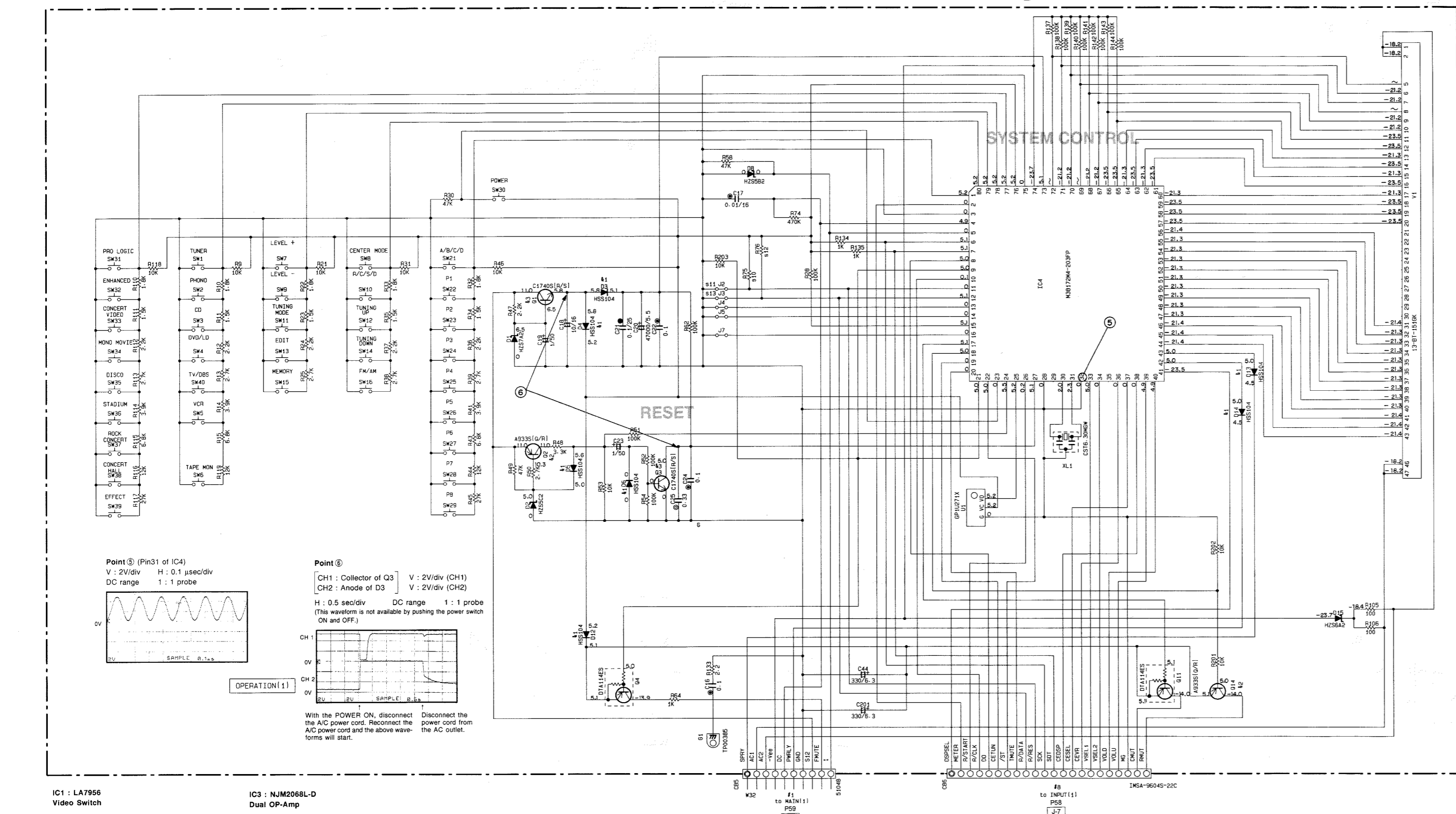
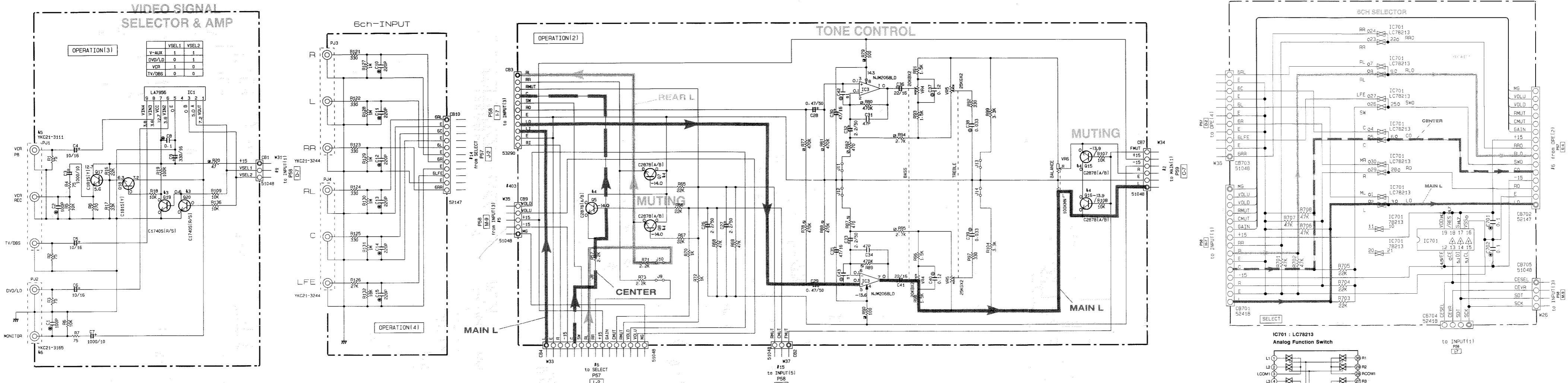


Point ② (Pin21 of IC3)
 V : 2V/div H : 1µsec/div
 DC range 1 : 1 probe



* All voltages are measured with a 10MΩ/DC electric volt meter.
 * Components having special characteristics are marked Δ, and must be replaced with parts having specifications equal to those originally installed.
 * Schematic diagram is subject to change without notice.

RX-V493/R-V703 SCHEMATIC DIAGRAM (OPERATION)



CIRCUIT CHANGES BY MARKET.

NO.	MARK	RESISTOR	U-C	R-T	A	G11
S1	C42-43	X	X	X	X	100P
S10	R75	X	100K	100K	X	X
S11	J2	O	X	X	O	O
S12	R76	X	X	100K	100K	100K
S13	J5	O	O	X	X	X

RESISTOR

REMARKS	PARTS NAME
NO MARK	CARBON FILM RESISTOR (P=5)
△	CARBON FILM RESISTOR (P=10)
▲	METAL OXIDE FILM RESISTOR
■	METAL FILM RESISTOR
□	METAL PLATE RESISTOR
◇	FIBRE PROOF CARBON FILM RESISTOR
○	CEMENT MOLDED RESISTOR
⊙	SEMI VARIABLE RESISTOR
⊚	CHIP RESISTOR

CAPACITOR

REMARKS	PARTS NAME
NO MARK	ELECTROLYTIC CAPACITOR
⊕	TANTALUM CAPACITOR
NO MARK	CERAMIC CAPACITOR
⊗	CERAMIC TUBULAR CAPACITOR
⊙	POLYESTER FILM CAPACITOR
○	MICA CAPACITOR
⊖	POLYPROPYLENE FILM CAPACITOR
⊚	SEMICONDUCTIVE CERAMIC CAPACITOR

Interchangeable Parts at Manufacturer's Stage

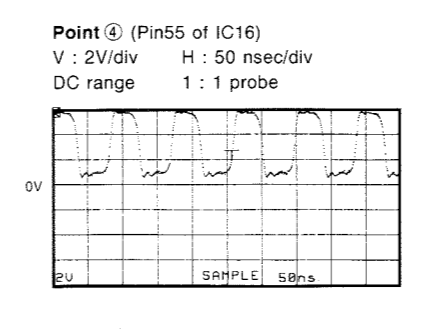
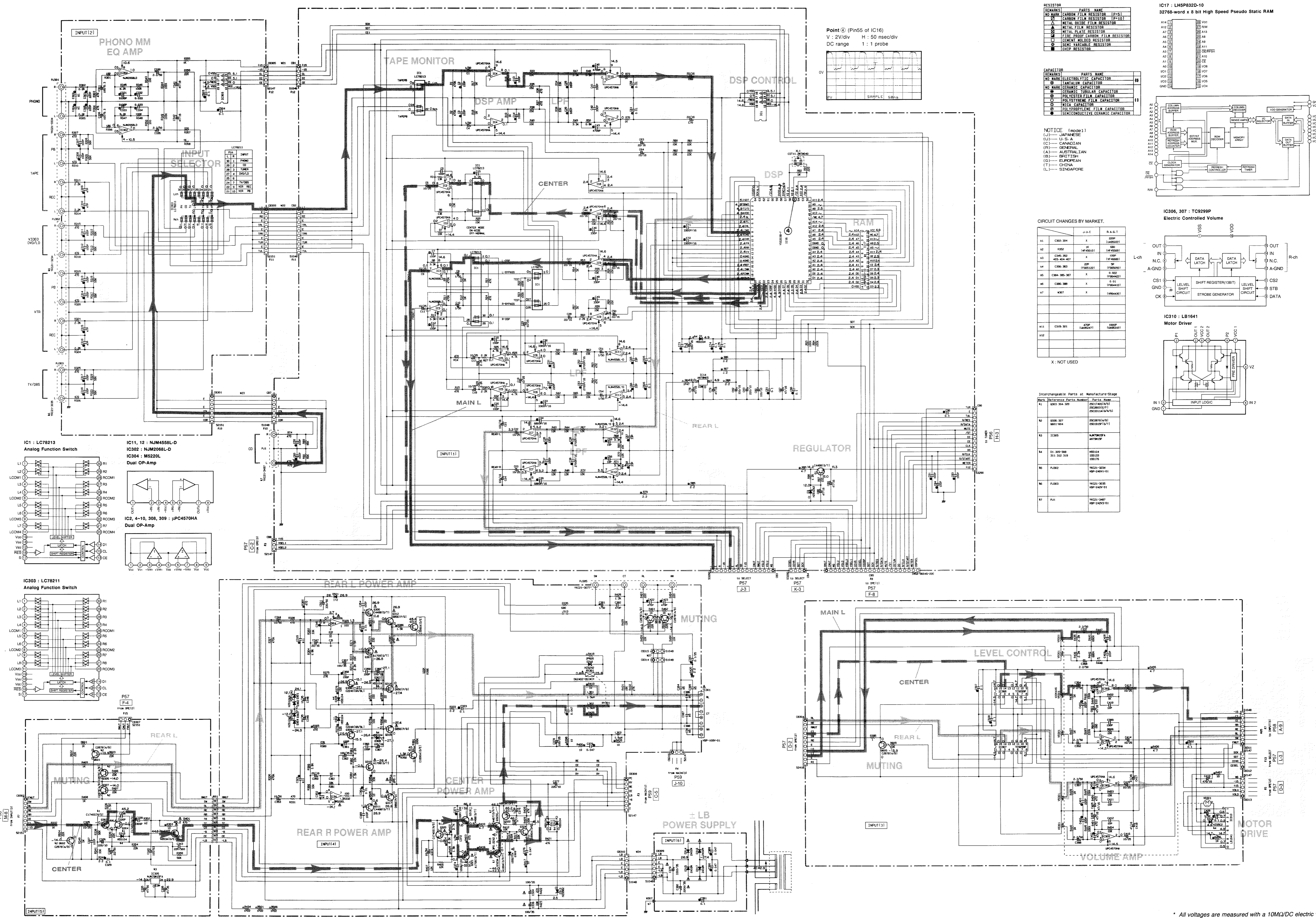
Mark	Reference Parts Number	Parts Name
A1	03-6-12-14	HSS104 1S513 1S5176
A2	02-14	2S493351Q/R 2S41151E/F 2S413594Q/R/S1
A3	01-3-19-20	2S217405I/R/S1 2S26031E/F 2S233114I/R/S1
A4	05-7-8-15-16	2S28781A/B1 2S29151S1/S-1
A5	PJ1	YK21-3111 RJ-1078-04-0352A
A6	PJ2	YK21-3165 RJ-1078-04-0351A

NOTICE (mode)
(J)..... JAPANESE
(U)..... U.S. A
(C)..... CANADIAN
(R)..... GENERAL
(A)..... AUSTRALIAN
(B)..... BRITISH
(G)..... EUROPEAN
(T)..... CHINA
(L)..... SINGAPORE

* All voltages are measured with a 10MΩ/DC electric volt meter.
* Components having special characteristics are marked △ and must be replaced with parts having specifications equal to those originally installed.
* Schematic diagram is subject to change without notice.

RX-V493/R-V703 SCHEMATIC DIAGRAM (INPUT)

1
2
3
4
5
6
7
8
9
10



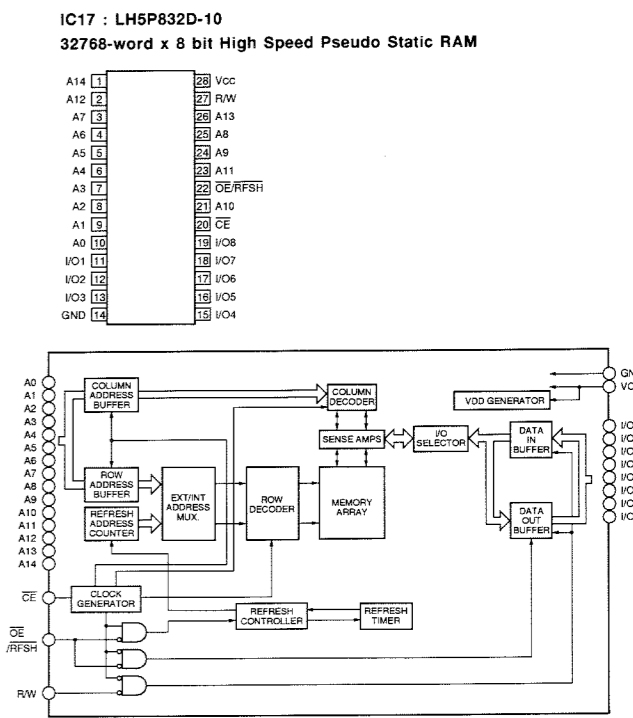
RESISTOR

MARK	PARTS NAME
NO MARK	CARBON FILM RESISTOR (P=5)
△	CARBON FILM RESISTOR (P=10)
□	METAL FILM RESISTOR
◇	METAL GLAZE RESISTOR
○	FIRE PROOF CARBON FILM RESISTOR
□	CEMENT MOUNTED RESISTOR
■	TRIAL VARIABLE RESISTOR
□	JOINT RESISTOR

CAPACITOR

MARK	PARTS NAME
NO MARK	ELECTROLYTIC CAPACITOR
□	INITIAL FILM CAPACITOR
NO MARK	CERAMIC CAPACITOR
□	POLYESTER FILM CAPACITOR
○	POLYPROPYLENE FILM CAPACITOR
◇	MICA CAPACITOR
○	POLYBUTYLENE FILM CAPACITOR
○	HEXAGONAL POLYESTER FILM CAPACITOR

NOTICE (note 1)
(J)..... JAPANESE
(U)..... U.S.A.
(C)..... CANADIAN
(R)..... GENERAL
(A)..... AUSTRALIAN
(B)..... BRITISH
(G)..... EUROPEAN
(T)..... THAI
(L)..... SINGAPORE

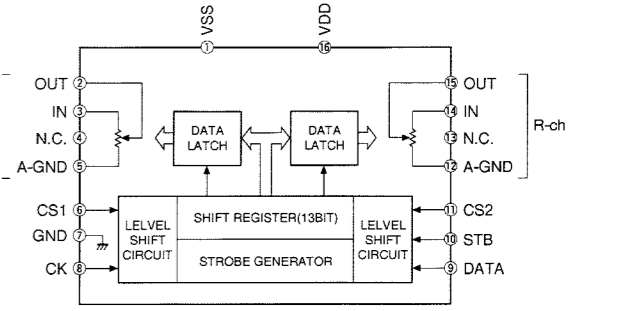


CIRCUIT CHANGES BY MARKET.

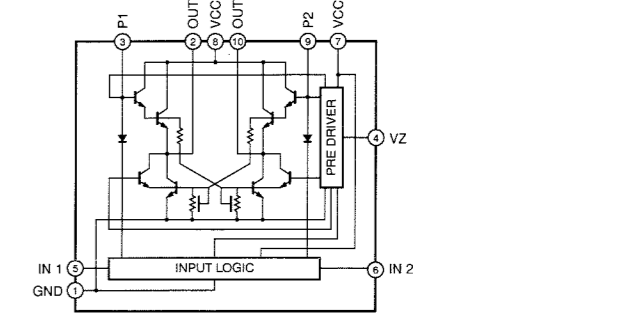
MARK	COMP. NO.	J.C.E.	R.A.B.T.
11	C305-304	X	200P (F466001)
12	IC30	X	600 (F466001)
13	C305-302	X	100P (F466001)
14	C305-303	SP	10P (F466001)
15	C305-307	X	0.100 (F466001)
16	C305-308	X	0.100 (F466001)
17	K307	X	(F466001)

X: NOT USED

IC306, 307 : TC9299P
Electric Controlled Volume



IC310 : LB1641
Motor Driver

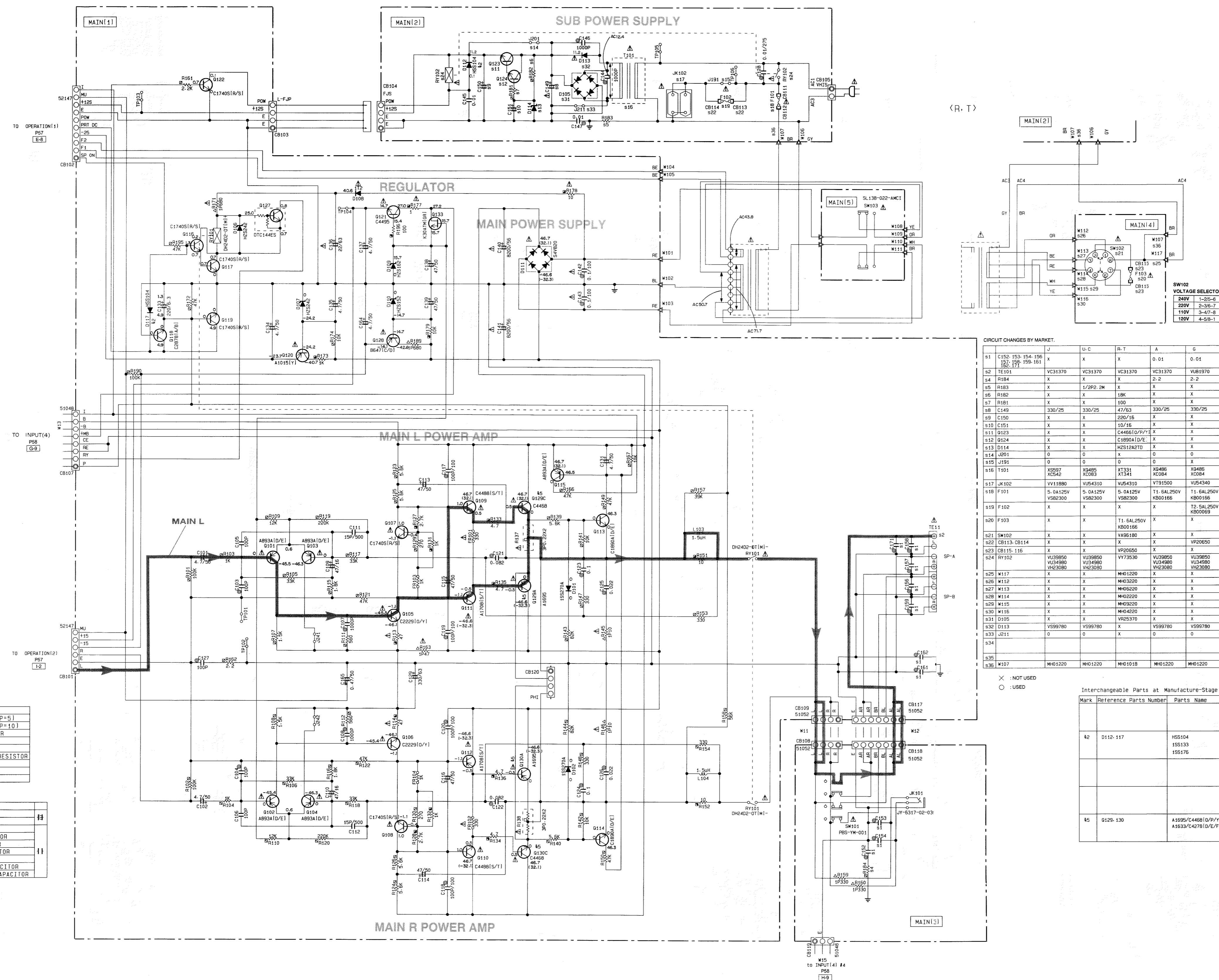


Interchangeable Parts at Manufacture-Stage

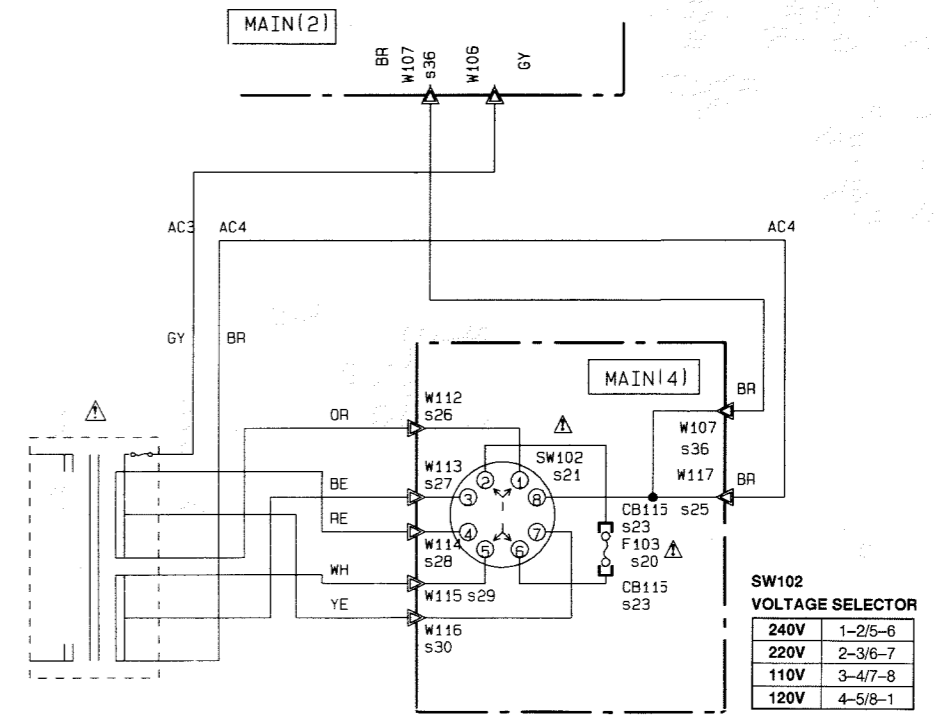
MARK	REFERENCE PARTS NUMBER	FACTORY NAME
11	3005-304-300	PHILIPS/DAIICHI
12	3005-302-300	PHILIPS/DAIICHI
13	3005-303-300	PHILIPS/DAIICHI
14	3005-307-300	PHILIPS/DAIICHI
15	3005-308-300	PHILIPS/DAIICHI
16	3005-307-300	PHILIPS/DAIICHI
17	3005-307-300	PHILIPS/DAIICHI

* All voltages are measured with a 10MΩ/DC electric volt meter.
* Components having special characteristics are marked △ and must be replaced with parts having specifications equal to those originally installed.
* Schematic diagram is subject to change without notice.

RX-V493/R-V703 SCHEMATIC DIAGRAM (MAIN)



(R, T)



CIRCUIT CHANGES BY MARKET.

	J	U.C	R.T	A	G
S1	C152 153-154-156 157-158-159-161	X	X	0.01	0.01
S2	TE101	VC31370	VC31370	VC31370	VU81970
S4	R184	X	X	2-2	2-2
S5	R183	X	1/2P2.2M	X	X
S6	R182	X	X	18K	X
S7	R181	X	X	100	X
S8	C149	330/25	330/25	47/63	330/25
S9	C150	X	X	220/15	X
S10	C151	X	X	10/16	X
S11	D123	X	X	C446610/P/Y1	X
S12	D124	X	X	C189010/E	X
S13	D114	X	X	HZ512A2T0	X
S14	J201	0	0	0	0
S15	J191	0	0	0	0
S16	T101	X587 XC542	X0485 XC083	XT341 XT341	X0486 XC084
S17	JK102	VV11880	VU54310	VU54310	VU54340
S18	F101	5.0A125V V582300	5.0A125V V582300	5.0A125V V582300	T1-6AL250V KB00166
S19	F102	X	X	X	T2-5AL250V KB00069
S20	F103	X	X	T1-6AL250V KB00166	X
S21	SW102	X	X	VA96180	X
S22	CB113-114	X	X	X	VP20650
S23	CB115-116	X	X	VP20650	X
S24	RY102	VU30800 VU34980 VH23080	VU30800 VU34980 VH23080	VY73530	VU30800 VU34980 VH23080
S25	M117	X	X	MH01220	X
S26	M112	X	X	MH03220	X
S27	M113	X	X	MH06220	X
S28	M114	X	X	MH02220	X
S29	M115	X	X	MH09220	X
S30	M116	X	X	MH04220	X
S31	D105	X	X	VR25370	X
S32	D113	V599780	V599780	X	V599780
S33	J211	0	0	X	0
S34					
S35					
S36	M107	MH01220	MH01220	MH01018	MH01220

X : NOT USED
O : USED

Interchangeable Parts at Manufacture-Stage

Mark	Reference Parts Number	Parts Name
42	D112-117	H55104 H55133 H55176
45	D129-130	A1695/C446810/P/Y1 A1633/C427810/E/F1

NOTICE (model)
(J)..... JAPANESE
(U)..... U.S.A
(C)..... CANADIAN
(R)..... GENERAL
(A)..... AUSTRALIAN
(B)..... BRITISH
(T)..... EUROPEAN
(G)..... CHINA
(L)..... SINGAPORE

RESISTOR

REMARKS	PARTS NAME
NO MARK	CARBON FILM RESISTOR (P=5)
□	CARBON FILM RESISTOR (P=10)
△	METAL OXIDE FILM RESISTOR
△	METAL FILM RESISTOR
⊗	METAL PLATE RESISTOR
⊗	FIRE PROOF CARBON FILM RESISTOR
□	CEMENT WOLED RESISTOR
⊗	SEMI VARIABLE RESISTOR
■	CHIP RESISTOR

CAPACITOR

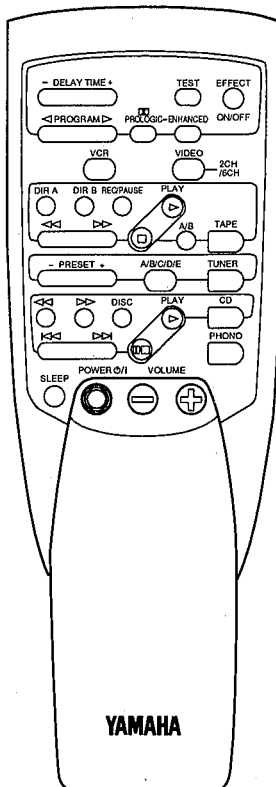
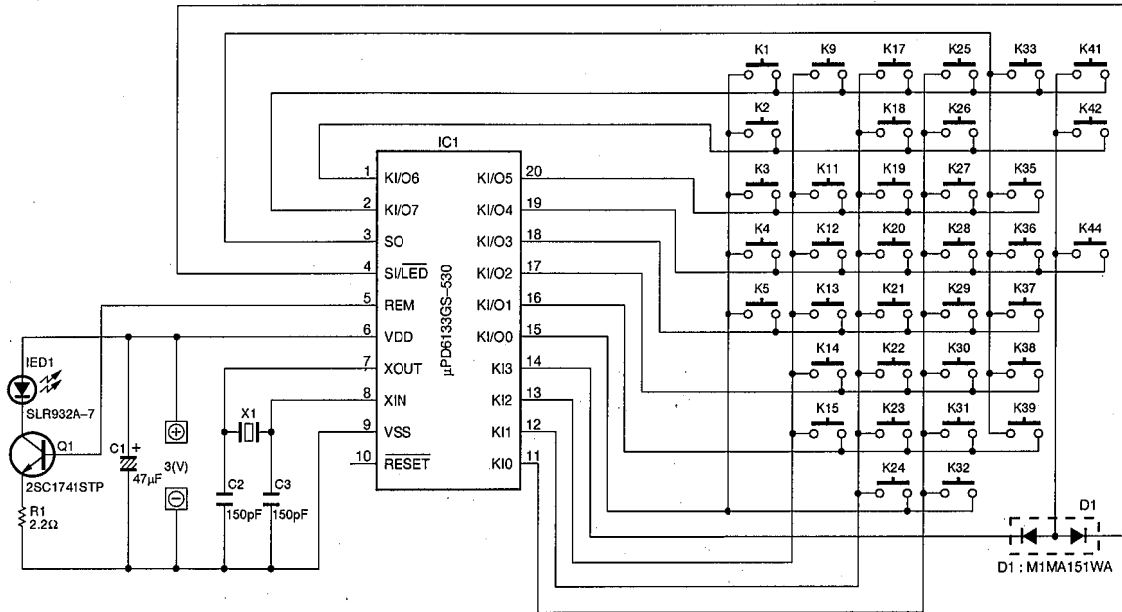
REMARKS	PARTS NAME
NO MARK	ELECTROLYTIC CAPACITOR
⊗	TANTALUM CAPACITOR
NO MARK	CERAMIC CAPACITOR
⊙	CERAMIC TUBULAR CAPACITOR
⊙	POLYESTER FILM CAPACITOR
⊙	POLYSTYRENE FILM CAPACITOR
⊙	MICA CAPACITOR
⊙	POLYPROPYLENE FILM CAPACITOR
⊙	SEMICONDUCTIVE CERAMIC CAPACITOR

All voltages are measured with a 10MΩ/DC electric volt meter.
Components having special characteristics are marked △ and must be replaced with parts having specifications equal to those originally installed.
Schematic diagram is subject to change without notice.

RX-V393/R-V503/RX-V493/R-V703

RX-V393/R-V503 REMOTE CONTROL TRANSMITTER

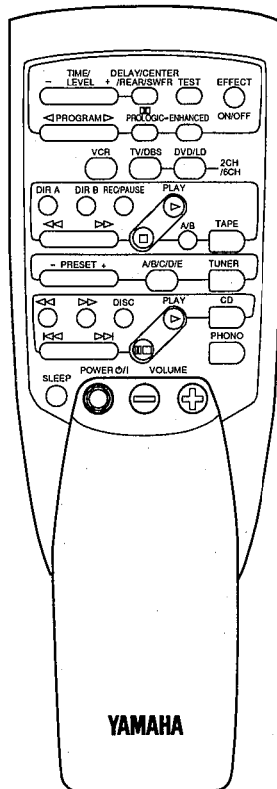
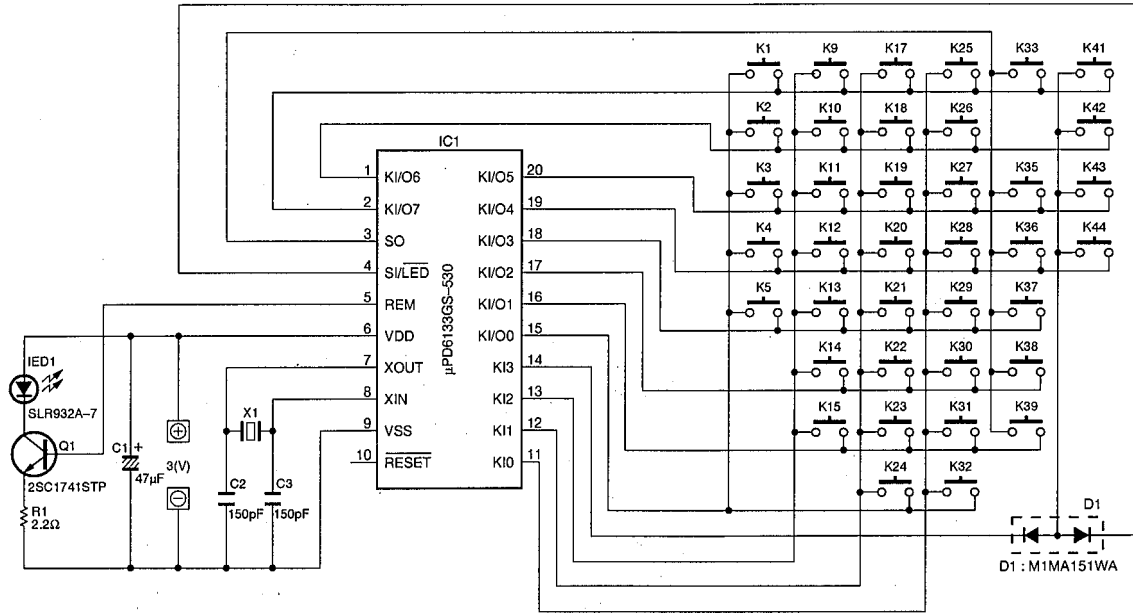
■ SCHEMATIC DIAGRAM



Key No.	FUNCTION	CUSTOM (HEX)	DATA (HEX)
1	EFFECT ON/OFF	7A	56
2	PROGRAM ←	7A	59
3	PROGRAM →	7A	58
4	PROLOGIC	7A	88
5	ENHANCED	7A	89
9	VCR	7A	0F
11	VIDEO	7A	17
12	DIR A	7A	07
13	DIR B	7A	40
14	REC/PAUSE	7A	04
15	PLAY (TAPE)	7A	00
17	←← (TAPE)	7A	01
18	→→ (TAPE)	7A	02
19	□ (TAPE)	7A	03
20	DECK A/B	7A	06
21	TAPE	7A	18
22	PRESET -	7A	11
23	PRESET +	7A	10
24	A/B/C/D/E	7A	12
25	TUNER	7A	16
26	←← (CD)	7A	0D
27	→→ (CD)	7A	0C
28	DISC	7A	4F
29	PLAY (CD)	7A	08
30	CD	7A	15
31	←← (CD)	7A	0B
32	→→ (CD)	7A	0A
33	□ (CD)	7A	09
35	PHONO	7A	14
36	SLEEP	7A	57
37	POWER	7A	1F
38	VOLUME -	7A	1B
39	VOLUME +	7A	1A
41	DELAY TIME -	7A	53
42	DELAY TIME +	7A	52
44	TEST	7A	85

RX-V493/R-V703(C, R, A, G, T models) REMOTE CONTROL TRANSMITTER

■ SCHEMATIC DIAGRAM



Key No.	FUNCTION	CUSTOM (HEX)	DATA (HEX)
1	EFFECT ON/OFF	7A	56
2	PROGRAM <	7A	59
3	PROGRAM >	7A	58
4	PROLOGIC	7A	88
5	ENHANCED	7A	89
9	VCR	7A	0F
10	TV/DBS	7A	54
11	DVD/LD	7A	17
12	DIR A	7A	07
13	DIR B	7A	40
14	REC/PAUSE	7A	04
15	PLAY (TAPE)	7A	00
17	<< (TAPE)	7A	01
18	>> (TAPE)	7A	02
19	□ (TAPE)	7A	03
20	DECK A/B	7A	06
21	TAPE	7A	18
22	PRESET -	7A	11
23	PRESET +	7A	10
24	A/B/C/D/E	7A	12
25	TUNER	7A	16
26	<< (CD)	7A	0D
27	>> (CD)	7A	0C
28	DISC	7A	4F
29	PLAY (CD)	7A	08
30	CD	7A	15
31	<<< (CD)	7A	0B
32	>>> (CD)	7A	0A
33	□ (CD)	7A	09
35	PHONO	7A	14
36	SLEEP	7A	57
37	POWER	7A	1F
38	VOLUME -	7A	1B
39	VOLUME +	7A	1A
41	TIME/LEVEL -	7A	53
42	TIME/LEVEL +	7A	52
43	DELAY/CENTER/REAR	7A	86
44	TEST	7A	85