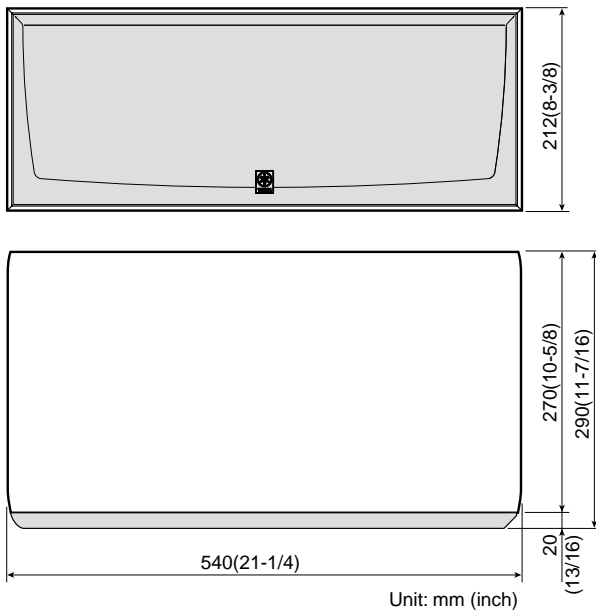


# SPEAKER SYSTEM NS-C300

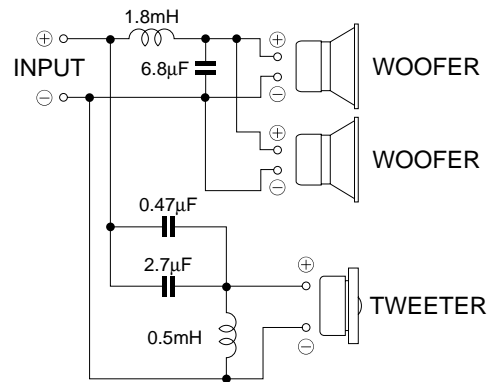
## SERVICE MANUAL

NS-C300

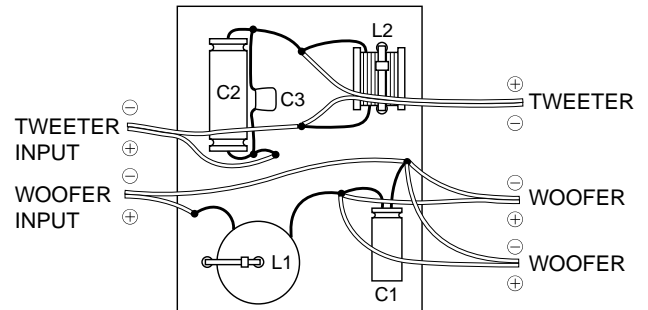
### ■ DIMENSIONS



### ■ NETWORK CIRCUIT DIAGRAM



### ■ WIRING DIAGRAM



### ■ SPECIFICATIONS

**Type** ..... 2-way 3-speaker bass reflex speaker system  
(Magnetically-shielded type)

**Speaker Unit**

**Woofer** ..... 16 cm (6.5") corn x 2

**Tweeter** ..... 3 cm (1") dome

**Nominal Impedance** ..... 6 ohms

**Frequency Response** ..... 30 Hz ~ 35 kHz

**Nominal Input Power** ..... 140 W

**Maximum Input Power** ..... 400 W

**Sensitivity** ..... 91 dB/2.83 V/m

**Crossover Frequency** ..... 3 kHz

**Dimensions (W x H x D)** ..... 540 x 212 x 290 mm  
(21-1/4" x 8-3/8" x 11-7/16")

**Weight** ..... 12.4 kg (27 lbs. 5 oz.) / 1 piece

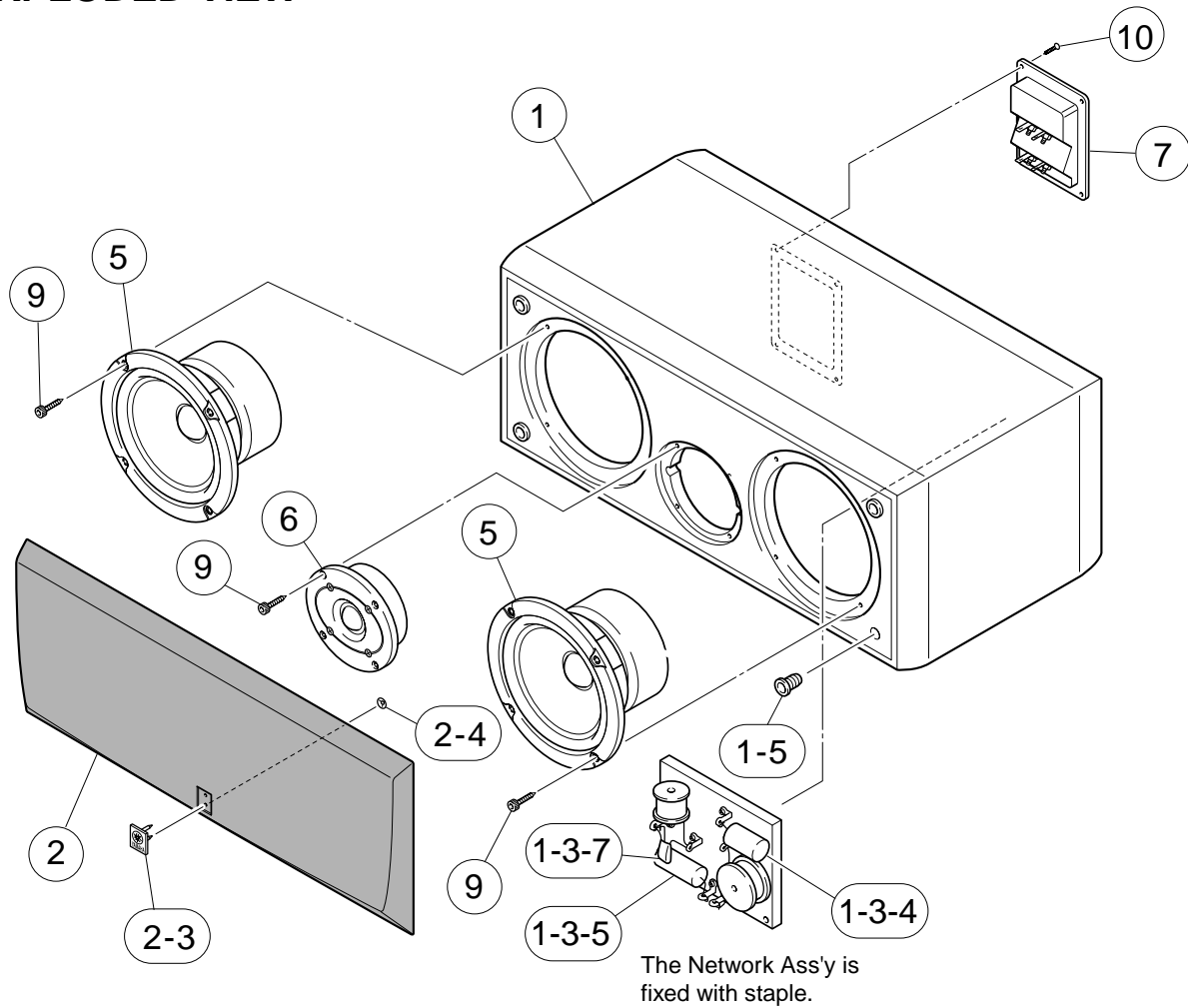


このサービスマニュアルは、エコマーク認定の再生紙を使用しています。  
This Service Manual uses recycled paper.

\* Specifications are subject change without notice due to product improvements.



■ EXPLODED VIEW



■ PARTS LIST

| Ref. No. | PART NO. | Description             | Remarks        | Markets |
|----------|----------|-------------------------|----------------|---------|
| * 1      | V4056200 | CABINET ASS'Y           | CH             |         |
| * 1      | V4056300 | CABINET ASS'Y           | BL             |         |
| * 1-3-4  | VA806800 | ELECTROLYTIC CAP        | 6.8uF 50V      |         |
| * 1-3-5  | FR116270 | PAPER CAP               | 2.7uF 160V     |         |
| * 1-3-7  | V4346900 | MYLAR FILM CAP          | 0.47uF 50V     |         |
| * 1-5    | CB605250 | HOLDER                  |                |         |
| * 2      | V4056000 | FRONT GRILLE ASS'Y      | CH             |         |
| * 2      | V4585300 | FRONT GRILLE ASS'Y      | BL             |         |
| * 2-3    | V2192200 | EMBLEM                  | YAMAHA         |         |
| * 2-4    | VP161000 | PUSH NUT                | SPN1.5         |         |
| * 5      | XW231A00 | LOUD SPEAKER            | 16cm           |         |
| * 6      | XW232A00 | LOUD SPEAKER            | 2.5cm          |         |
| * 7      | V4041400 | SPEAKER TERMINAL        | 4P             |         |
| * 9      | V4041500 | HEXAGON HEAD WOOD SCREW | 4x20 MFCR3     |         |
| * 10     | EN230180 | OVAL HEAD TAPPING SCREW | 3.5x16 MFC2-BL |         |

\* New Parts