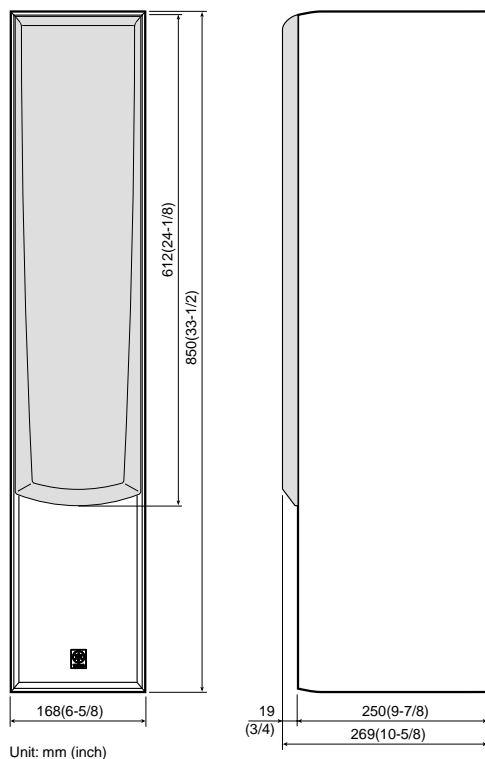


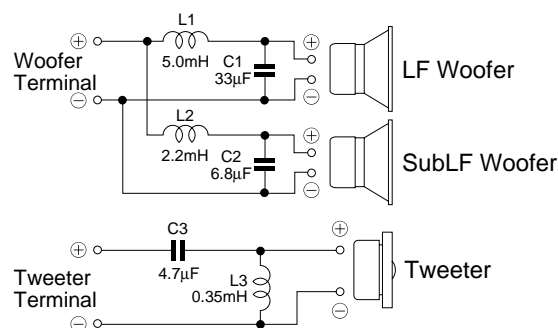
SPEAKER SYSTEM NS-150

SERVICE MANUAL

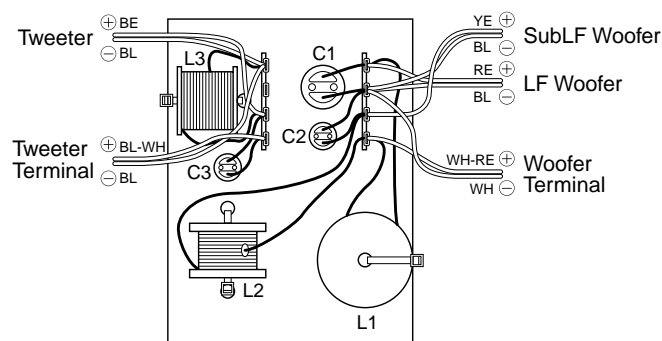
■ DIMENSIONS



■ NETWORK CIRCUIT DIAGRAM



■ WIRING DIAGRAM



■ SPECIFICATIONS

Type 3-way bass reflex speaker system
(Magnetically-shielded type)

Speaker Unit

LF Woofer 13 cm (5") cone

SubLF Woofer 13 cm (5") cone

Tweeter 3 cm (1") dome

Frequency Response 40 Hz ~ 35 kHz

Nominal Impedance 6 ohms

Nominal Input Power 100 W

Maximum Input Power 300 W

Sensitivity 89 dB/2.83 V/m

Crossover Frequency 500 Hz, 2 kHz

Input Terminal Screw / Banana type

Dimensions (W x H x D) 168 x 850 x 269 mm
(6-5/8" x 33-1/2" x 10-5/8")

Weight 14.5 kg (32 lbs.) / 1 piece

Finish Cherry / Black

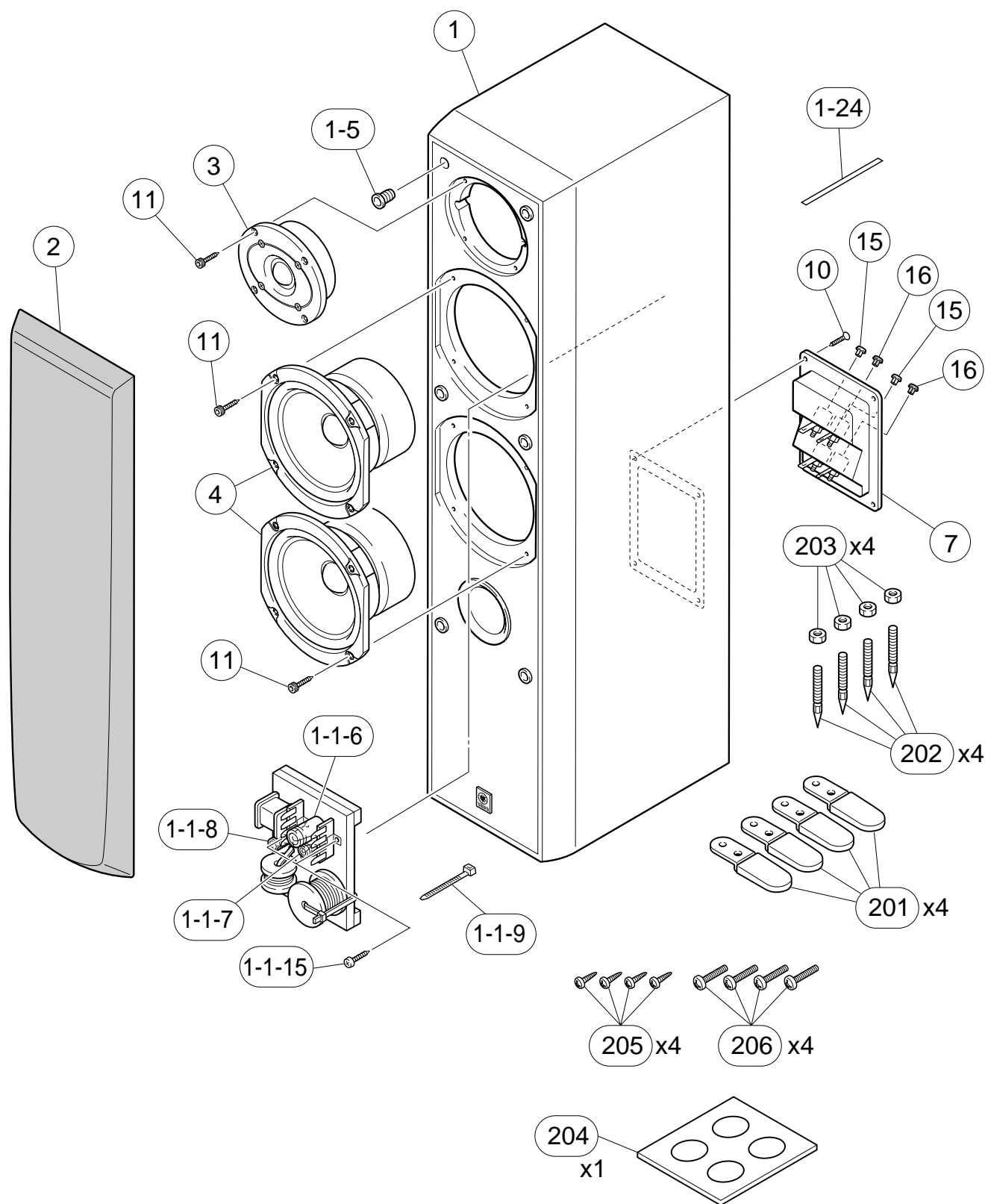
Accessories Stand x 4, Screw (6 mm) x 4, Spike x 4,
Hex. nut (6 mm) x 4, Wood screw (4 mm) x 4, Pad x 4



このサービスマニュアルは、エコマーク認定の再生紙を使用しています。
This Service Manual uses recycled paper.

* Specifications are subject change without notice due to product improvements.

EXPLODED VIEW



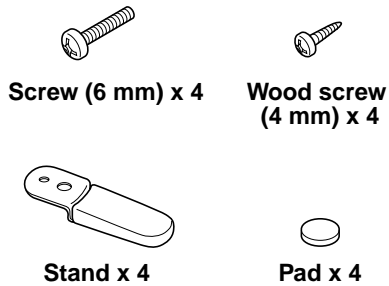
Use an Allen wrench (3mm) to unscrew the loud speaker.

■ PARTS LIST

Ref. No.	PART NO.	Description			Remarks	Markets
*	1	V6120000	CABINET ASS'Y		CH	
*	1	V6120200	CABINET ASS'Y		BL	
*	1-1-6	V6615600	ELECTROLYTIC CAP	33uF 63V		
	1-1-7	V5370100	ELECTROLYTIC CAP	6.8uF 50V		
	1-1-8	V5357100	ELECTROLYTIC CAP	4.7uF 50V		
	1-1-9	CB818540	BINDING TIE	T-30RF-2		
	1-1-15	EP030200	BIND HEAD TAPPING SCREW	3x8 ZMC2-Y		
	1-5	CB605250	HOLDER			
	1-24	CB070450	BINDING TIE	L=100 L=100		
	2	V5383200	FRONT GRILLE ASS'Y		CH	
	2	V5383400	FRONT GRILLE ASS'Y		BL	
	3	XW232A00	LOUD SPEAKER	3cm 6Ω 50W		
	4	XY380A00	LOUD SPEAKER	13cm 12Ω 30W		
*	7	V6261100	SPEAKER TERMINAL			
	10	V5537900	OVAL HEAD TAPPING SCREW #1	3.5x16 MFZN2BL		
	11	V5537800	HEXAGON SOCKET TAPPING SCREW	4x20 MFZN2BL		
	15	V5361400	TERMINAL CAP	S06E RED		
	16	V5361500	TERMINAL CAP	S06E BLACK		
			ACCESSORIES			
	201	V5004900	STAND ASS'Y	1pc/set		
	202	V5386900	SPIKE	x1 M6x15		
	203	V2450400	HEXAGONAL NUT	x1 6mm MFZN2-BL		
*	204	V6075800	LEG ASS'Y		4pcs/set	
	205	EP040250	BIND HEAD TAPPING SCREW	4x16 ZMC2-BL		
	206	EG360010	BIND HEAD SCREW	6x16 MFC2BL		

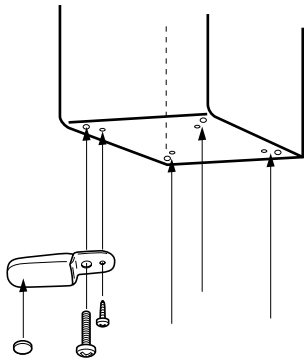
* New Parts

■ ATTACHING THE STAND



When positioning the speakers, be sure to use the stand to increase stability.

Use the 8 specified holes located on the base of the speaker.



Procedure:

1. Put the 6 mm screw through the larger hole on the stand, and to the speaker at one of the outside holes on the base of the speaker. At this time, attach the stand to the speaker so that it can still be moved slightly.
2. Put the 4 mm wood screw through the smaller hole on the stand, and screw it into the inside hole on the base of the speaker.
3. When both screws have been attached, tighten both of the screws so that the stand is firmly in place. Be sure to check that the stand is firmly attached.
4. Attach the pads to the bottom of the end portion of the stand.
5. Attach the other stands in the same manner and confirm that all 4 stands have been firmly attached.
6. Place the speaker in the desired location.

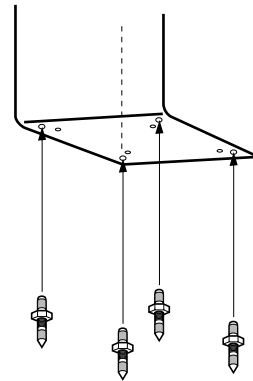
Note

If force is applied to the side of the speaker, it may fall and damage the speaker or cause personal injury. Please be careful.

■ ATTACHING THE SPIKE



When setting up the speakers on a thick carpet, use the spikes instead of the stand. With 4 points set in place to achieve increased stability and improvements in sound quality.



Procedure:

1. Set the nut close to the tip of the spike and screw them into the bottom of the speaker at each of the four specified holes.
2. Place the speaker in the desired location in an upright position and adjust the length of the spike to match the depth of the carpet.
3. When adjustment is complete, twist the nut up to the base of the speaker firmly.

Notes

- The tips of the spikes may scratch or otherwise damage the flooring. Please be careful when positioning the speakers.
- If force is applied to the side of the speaker, it may fall and damage the speaker or cause personal injury. Please be careful.
- Either end of the spike may be inserted into the holes on the speaker to accommodate different types of conditions and installations.