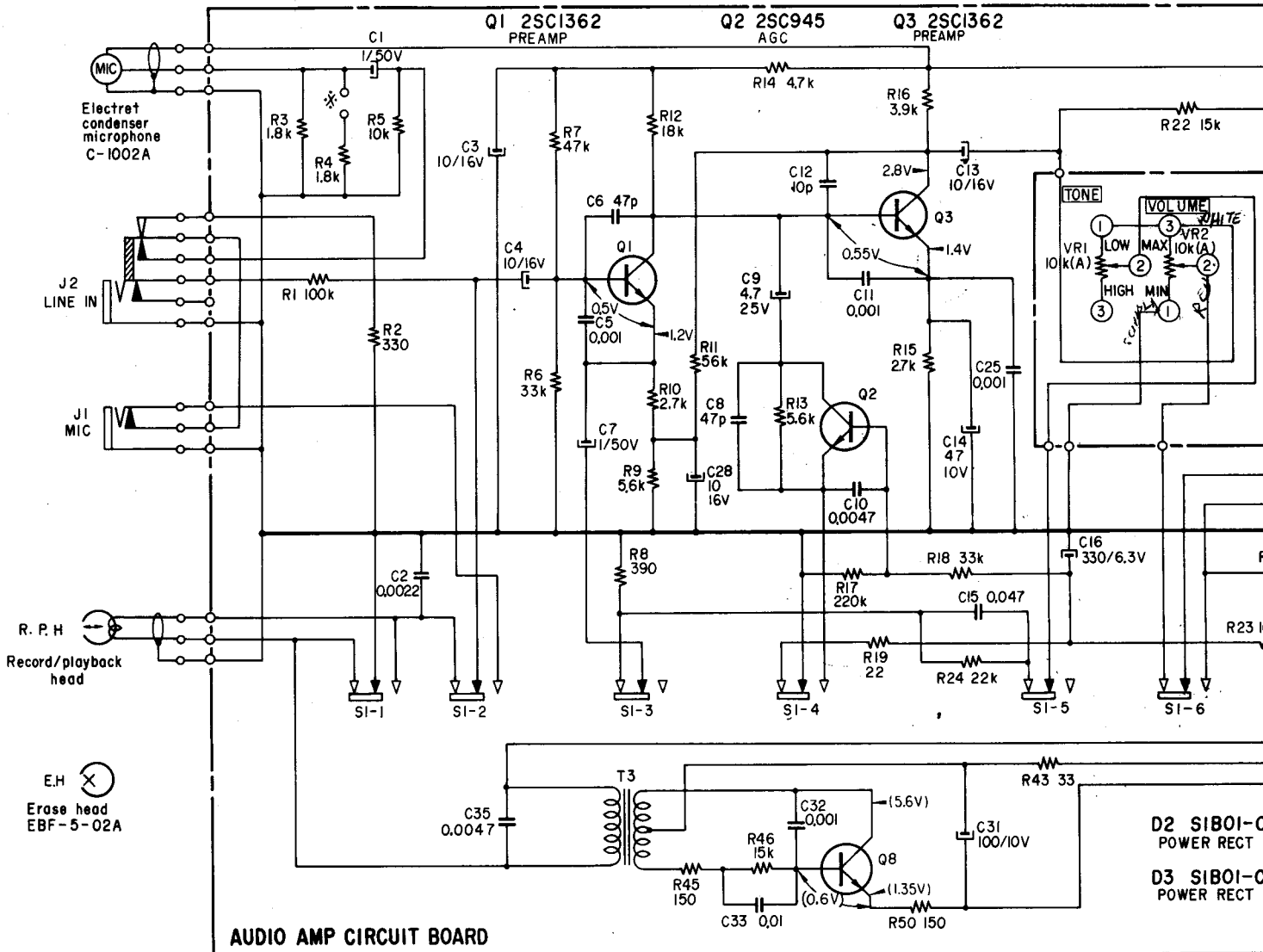


4-3. SCHEMATIC DIAGRAM



Ref. NO.	Switch	Mode
S1	record / playback	Playback
S2	Power	ON: record, fast forward and rewind mode
		OFF: stop mode
S3	voltage selector	220V ~ 240V
S4	ac/dc	dc

Note:

- All resistors and capacitors are in Ω and μF , unless otherwise specified.
- All voltages are measured from chassis to points indicated with a voltmeter (20 k Ω/V). Variations may be noted due to normal production tolerances.
no mark: playback mode voltage
() : record mode voltage
- Resistances for coils are DC resistances.
- In using electret condenser microphone marked in red paint on side of case, connect resistor R4 shown with * in parallel with R3.

Q8 2SC945
BIAS OSC

< DC RESISTANCE >

