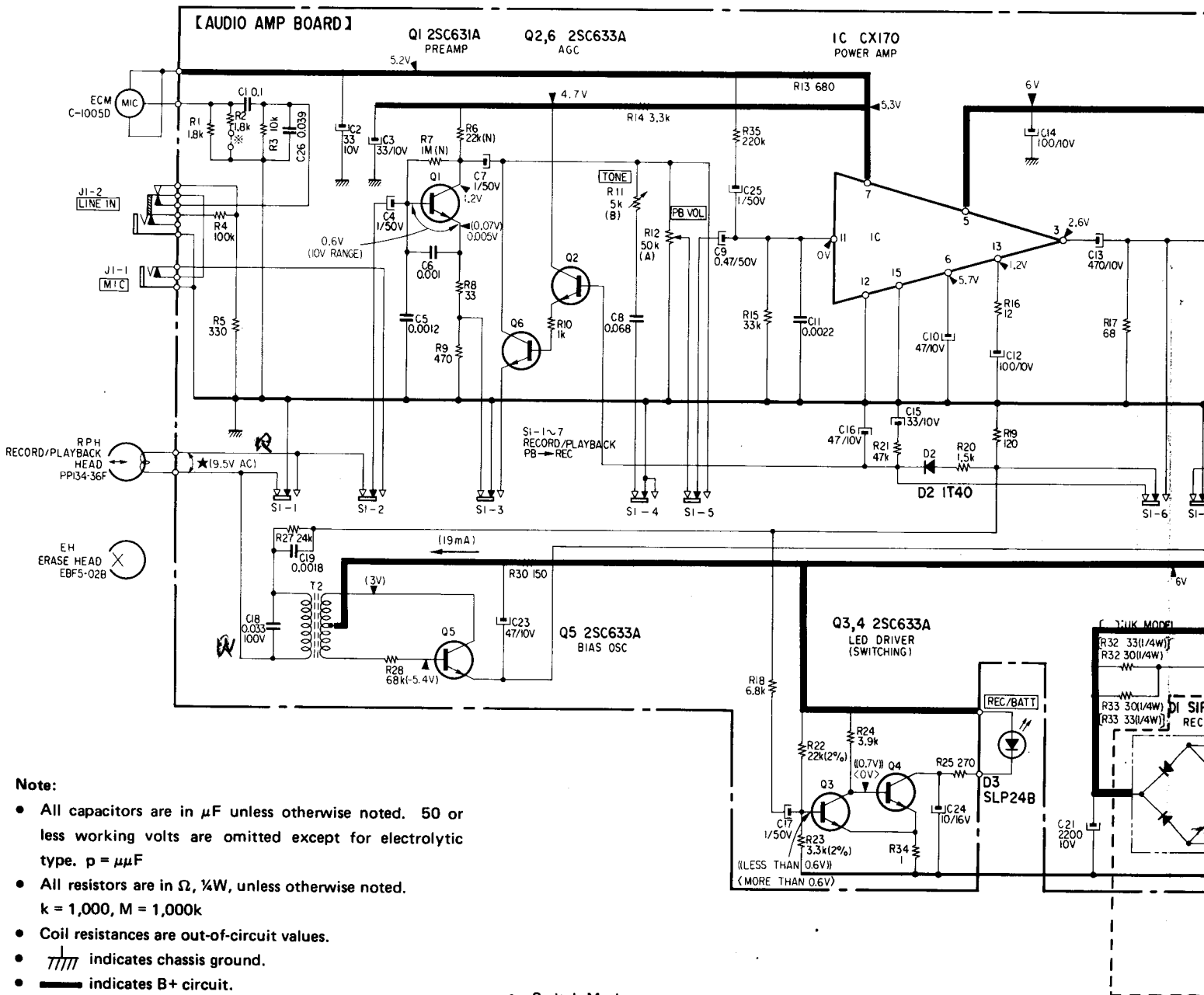


4-2. SCHEMATIC DIAGRAM



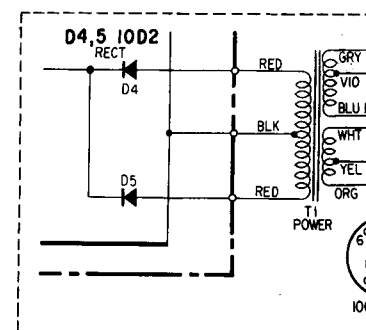
Note:

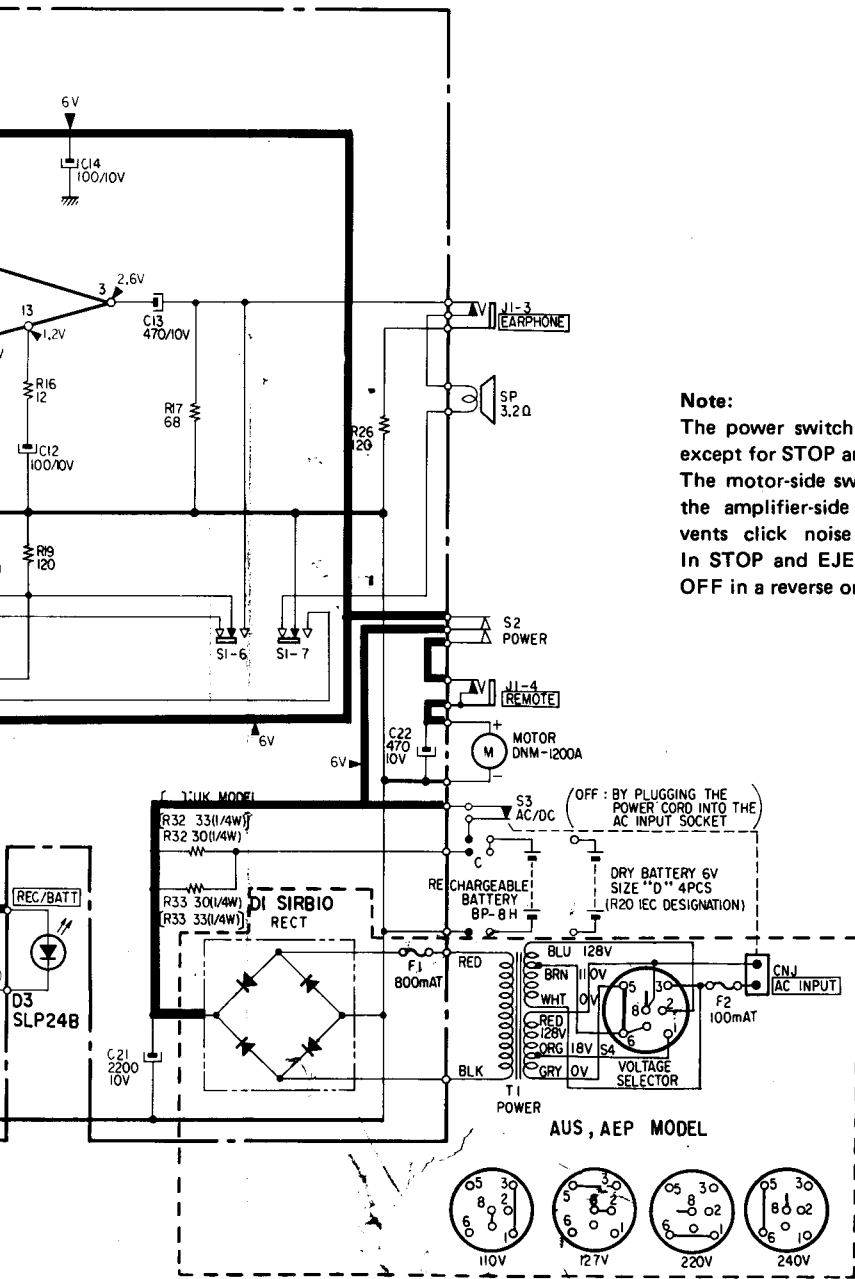
- All capacitors are in μF unless otherwise noted. 50 or less working volts are omitted except for electrolytic type. $p = \mu\mu\text{F}$
- All resistors are in Ω , $\frac{1}{4}W$, unless otherwise noted. $k = 1,000$, $M = 1,000k$
- Coil resistances are out-of-circuit values.
- indicates chassis ground.
- indicates B+ circuit.
- Voltages are DC with respect to ground unless otherwise noted. Readings are taken under no-signal conditions with a VOM (20k Ω/V). Readings in () are in record mode.
(): D3 ON < >: D3 OFF
no mark: common
- Voltage variations may be noted due to normal production tolerances.
- AC voltage readings on bias oscillator circuit are taken with a VTVM.
- In using electret condenser microphone with red mark on side of case, connect resistor R2 shown with * in parallel with R1.

• Switch Mode:

Ref. No.	Switch	Position
S1-1 ~ 7	RECORD	PLAYBACK
S2	POWER	OFF
S3	AC/DC	DC
S4	VOLTAGE SELECTOR	230-250V (E Model) 240V (AUS, AEP Model)

- indicates the connection point marked with on the chassis.





Note:
 The power switch (S2) turns ON in all modes except for STOP and EJECT.
 The motor-side switch turns ON first and then the amplifier-side switch turns ON, and prevents click noise hearing from the speaker. In STOP and EJECT modes, this switch turns OFF in a reverse order.

