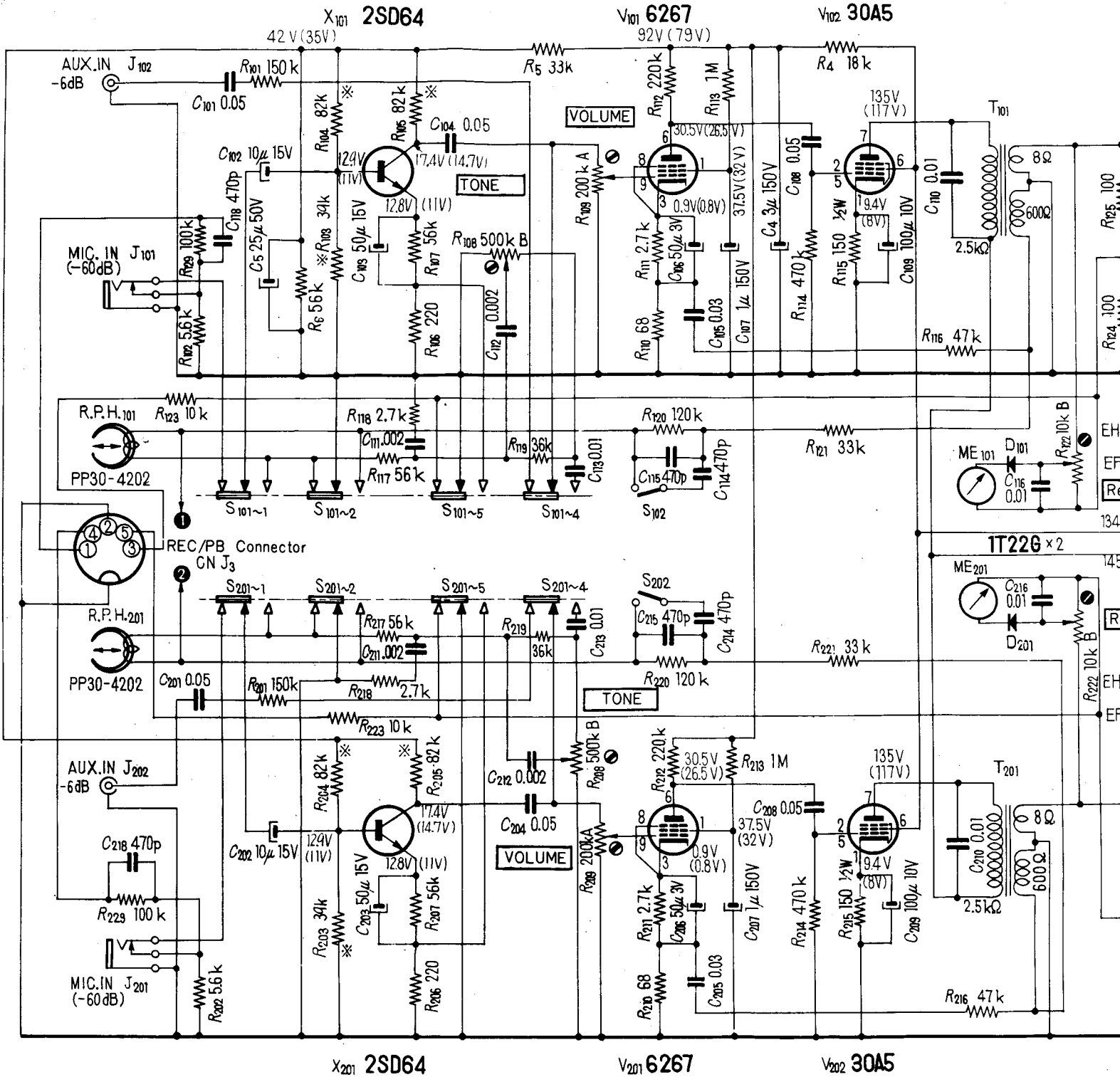


**SCHEMATIC DIAGRAM**

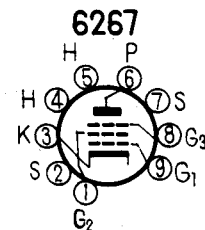
Up to Serial No. 61,800



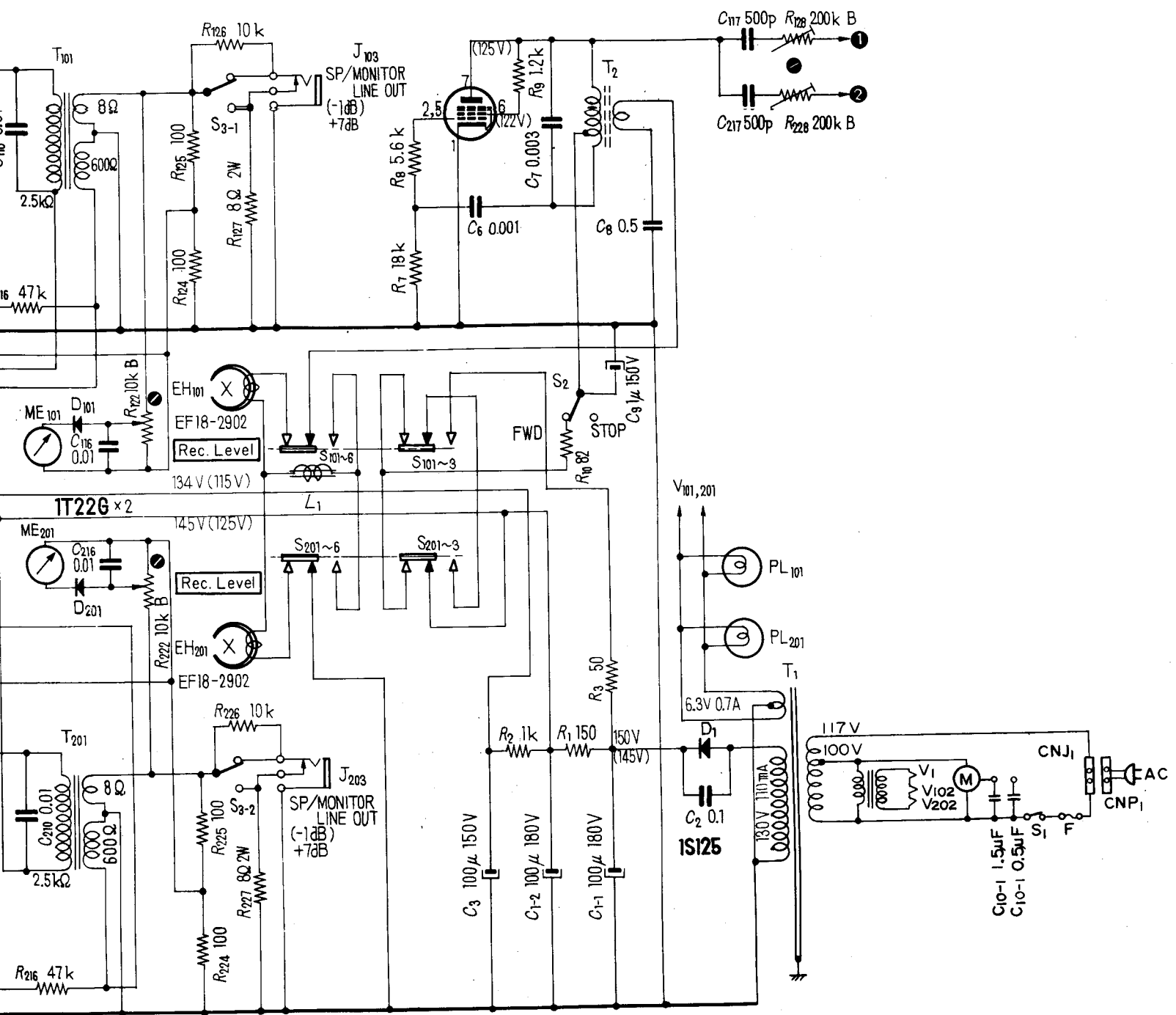
**Note:**

- S101-1-6, S201-1-6 : Record/Playback Switch (on at record position)
- S102, S202 : Equalizer Switch (on at 7½ ips position)
- S1 : Power ON/OFF Switch

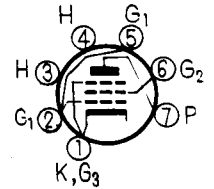
- S2 : Forward/Stop Switch (on at forward position)
- S3-1-2 : Line/Speaker Switch (on at speaker position)



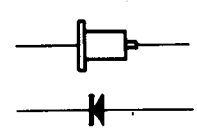
V<sub>1</sub> 30A5



30A5

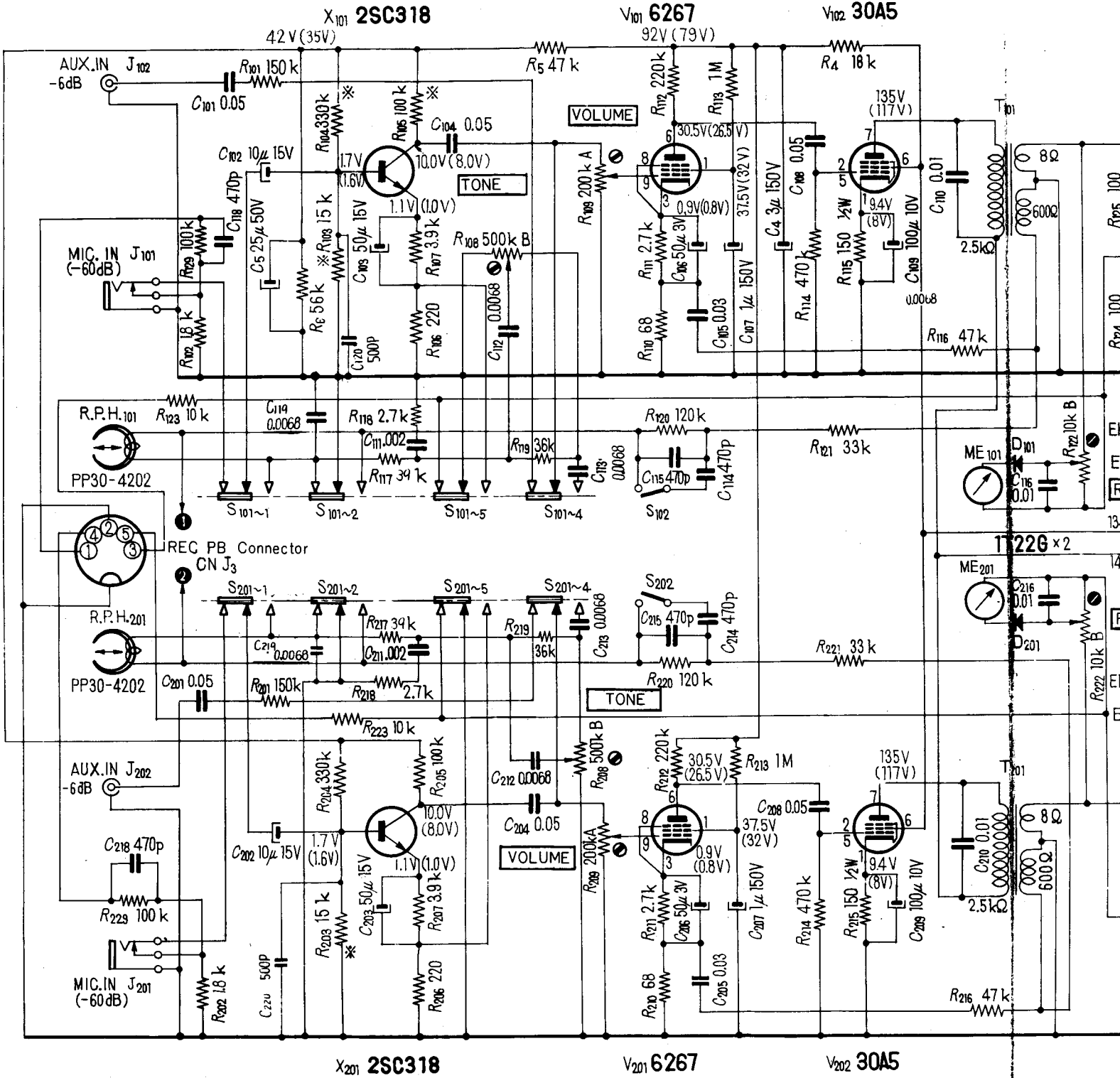


IS125



**SCHEMATIC DIAGRAM**

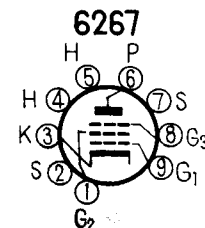
Serial No. from 61,800 to 74,999



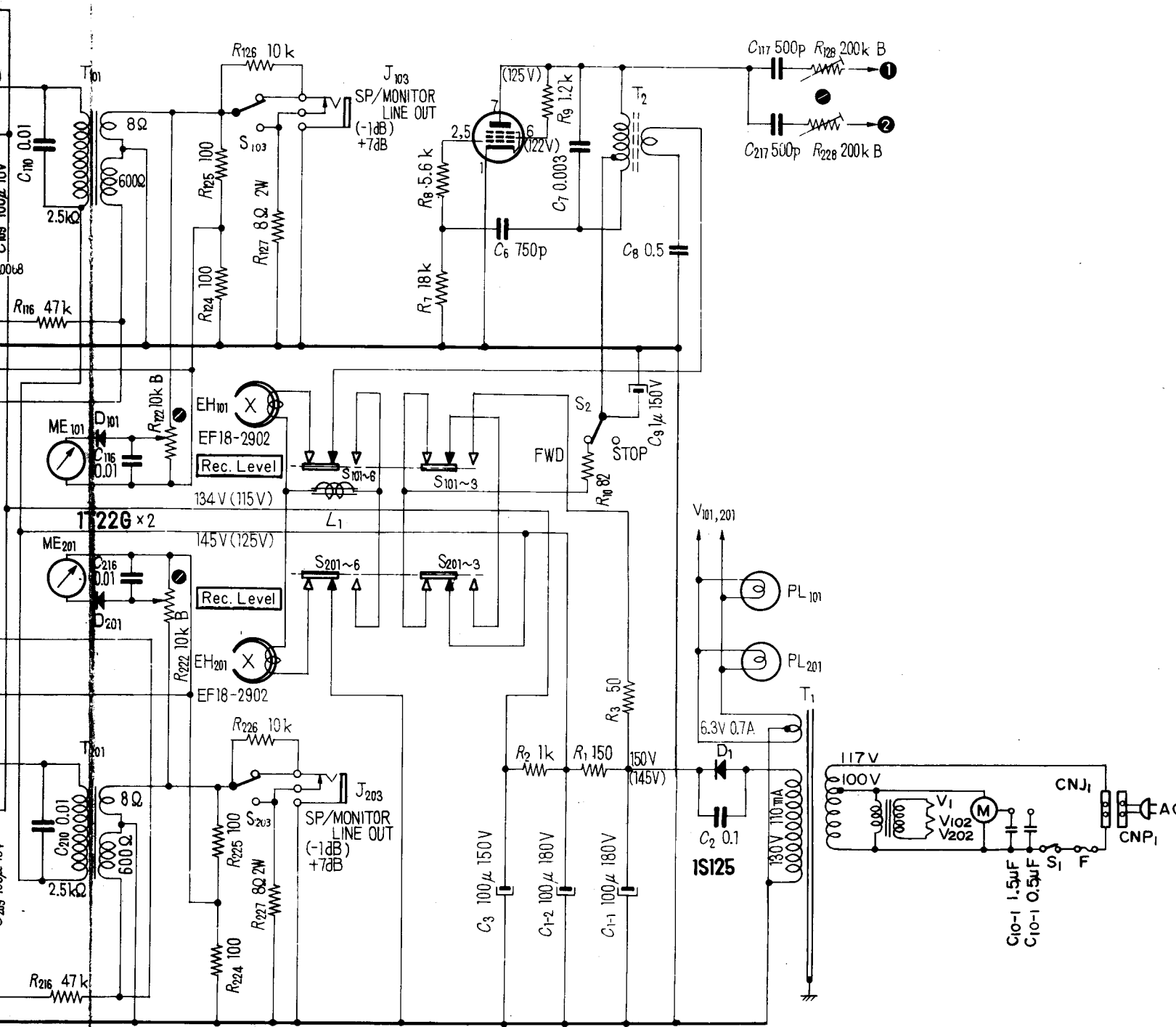
**Note:**

- S101-1-6, S201-1-6 : Record/Playback Switch (on at record position)
- S102, S202 : Equalizer Switch (on at 7 1/2 ips position)
- S1 : Power ON/OFF Switch

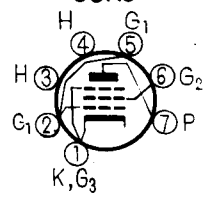
- S2 : Forward/Stop Switch (on at forward position)
- S103, S203 : Line/Speaker Switch (on at speaker position)



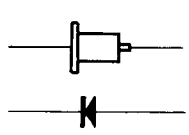
V<sub>1</sub> 30A5



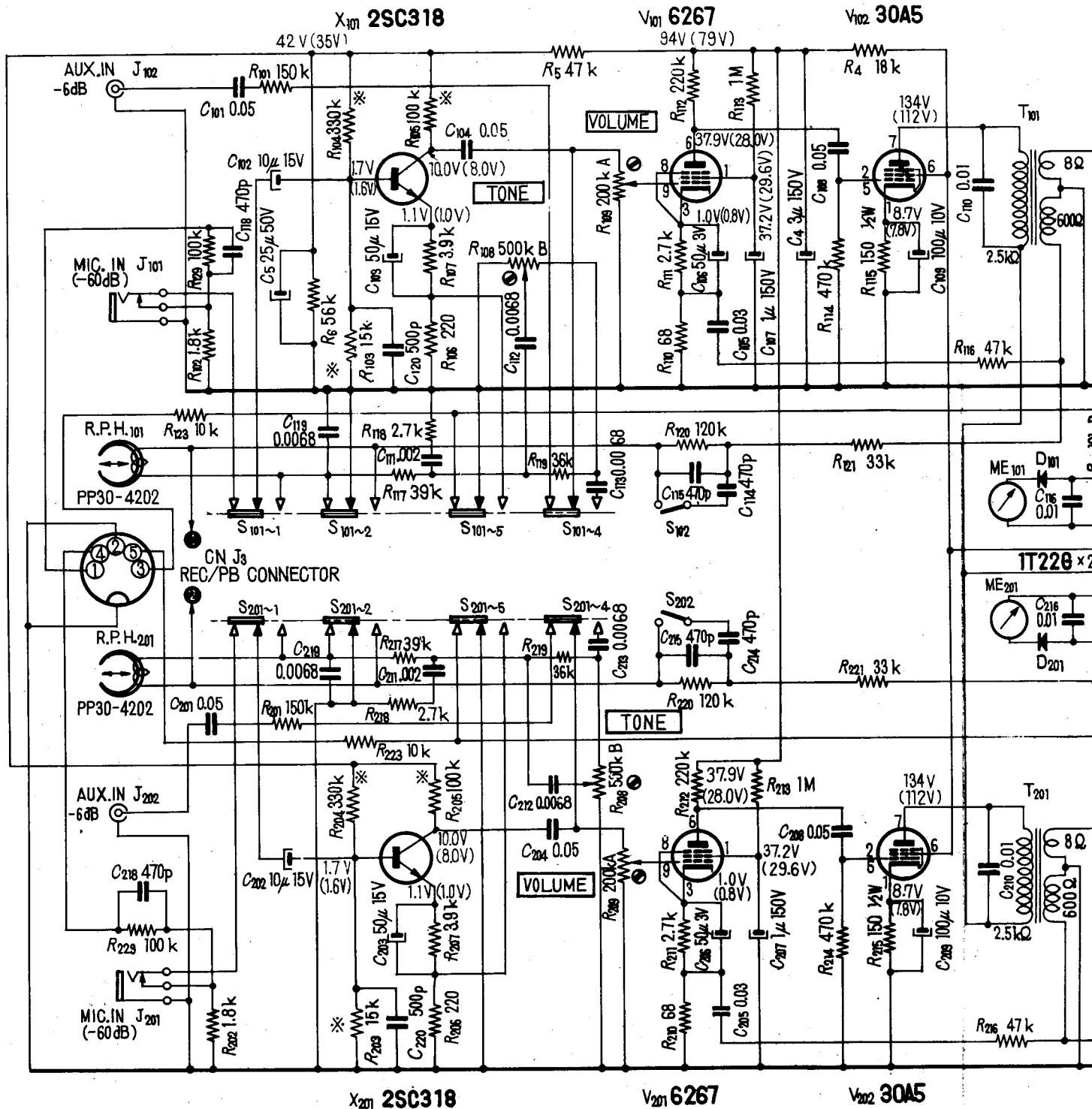
30A5



1S125



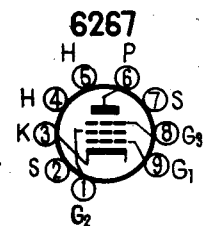
Serial No. from 75,000 to 80,000



**Note:**

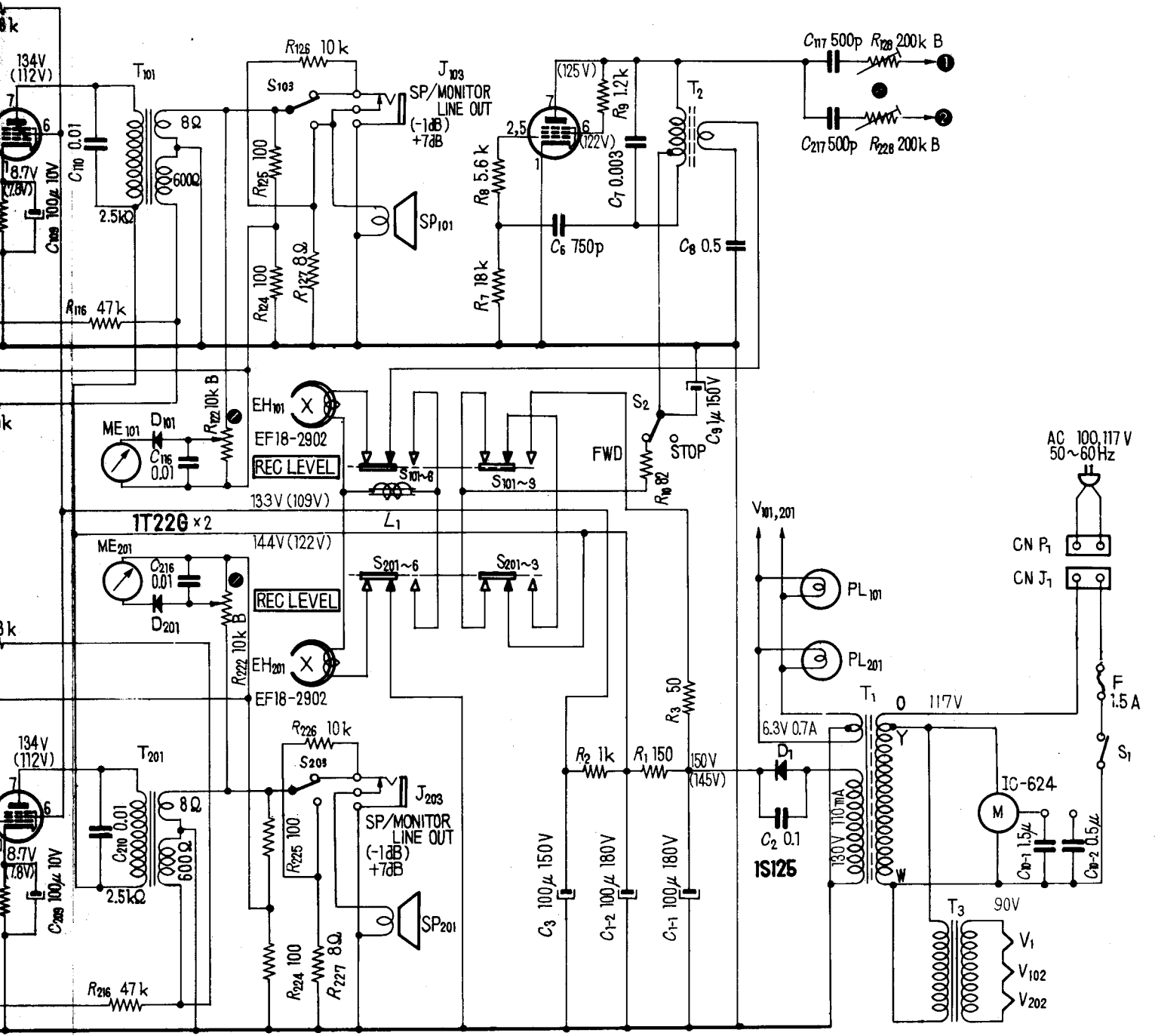
- S101-1-6, S201-1-6 : Record/Playback Switch  
(on at record position)
- S102, S202 : Equalizer Switch  
(on at 7 1/2 ips position)
- S1 : Power ON/OFF Switch

- S2 : Forward/Stop Switch  
(on at forward position)
- S103, 203 : Line/Speaker Switch  
(on at speaker position)

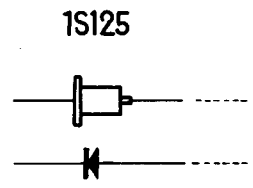
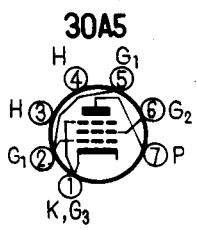
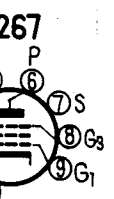


30A5

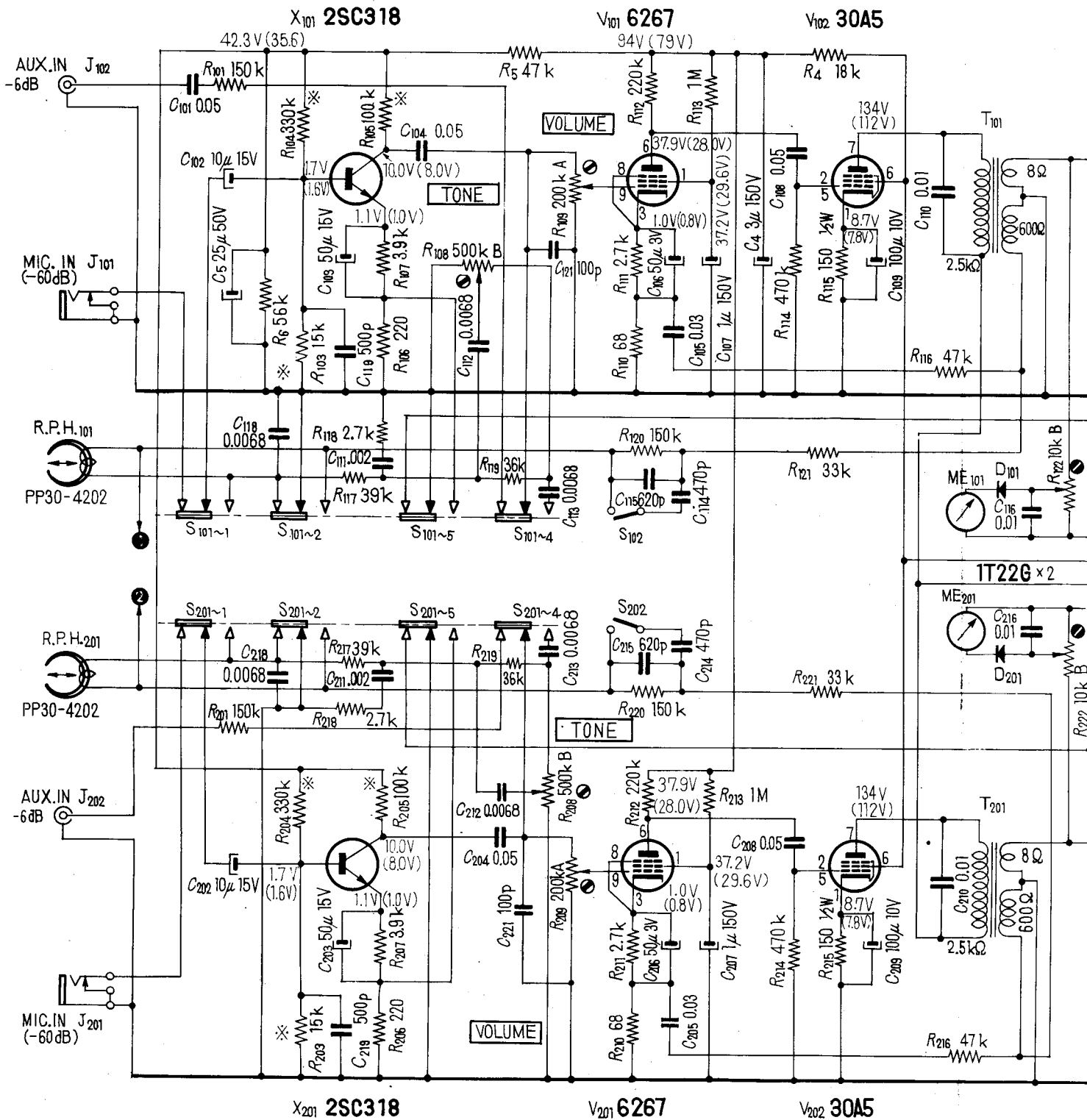
V<sub>1</sub> 30A5



30A5



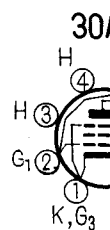
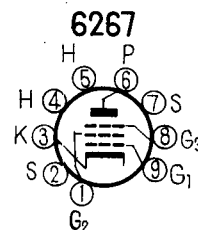
Serial No. from 80,001 to 141,954



Note:

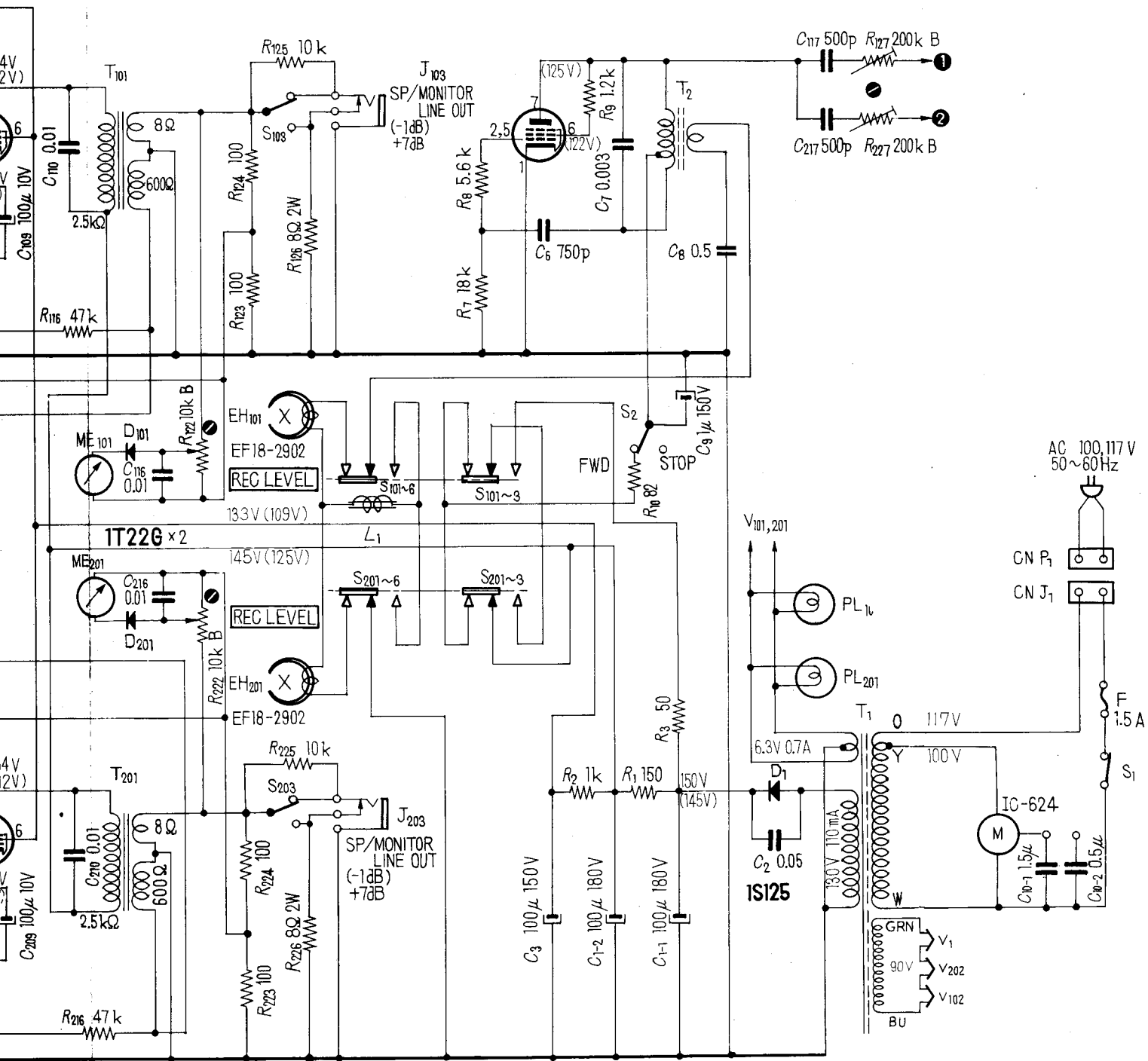
- S101-1-6, S201-1-6 : Record/Playback Switch (on at record position)
- S102, S202 : Equalizer Switch (on at 7½ ips position)
- S1 : Power ON/OFF Switch

- S2 : Forward/Stop Switch (on at forward position)
- S103, 203 : Line/Speaker Switch (on at speaker position)



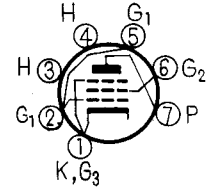
5

V<sub>1</sub> 30A5

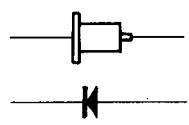


5

30A5



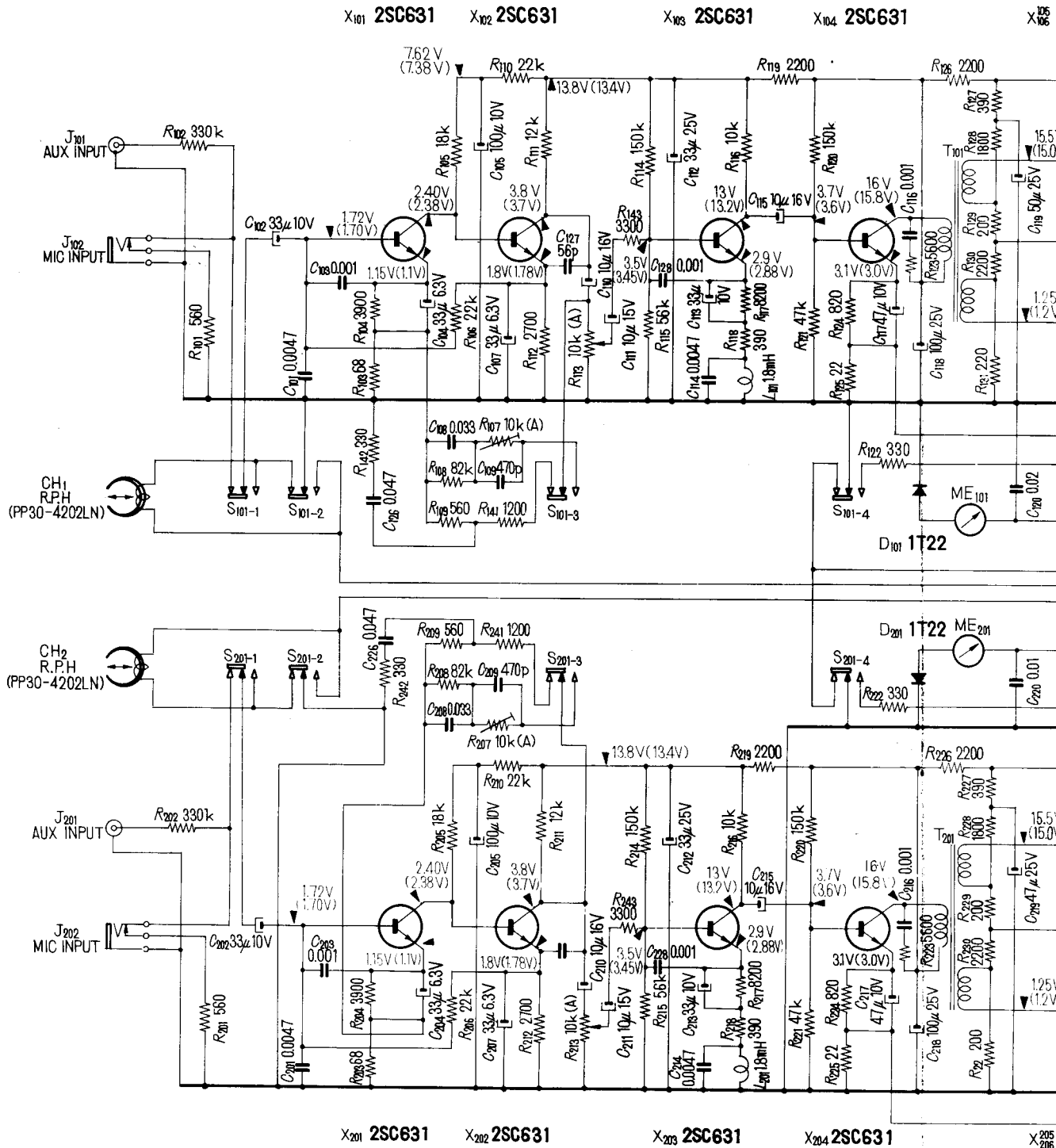
IS125





SCHEMATIC DIAGRAM

Serial No. 141,955 and later



Note:

(1) Switch positions shown in this diagram are as per following table.

Switch No.	Description	Position
S101, 201	Rec./P.B. Switch	Record
S102, 202	SP/MONITOR, LINE OUT Switch	SPEAKER
S103, 203	Equalizer Switch	3 3/4 ips (9.5 cm/s)
S1	Power Switch	ON
S2	Forward/Stop Switch	Forward

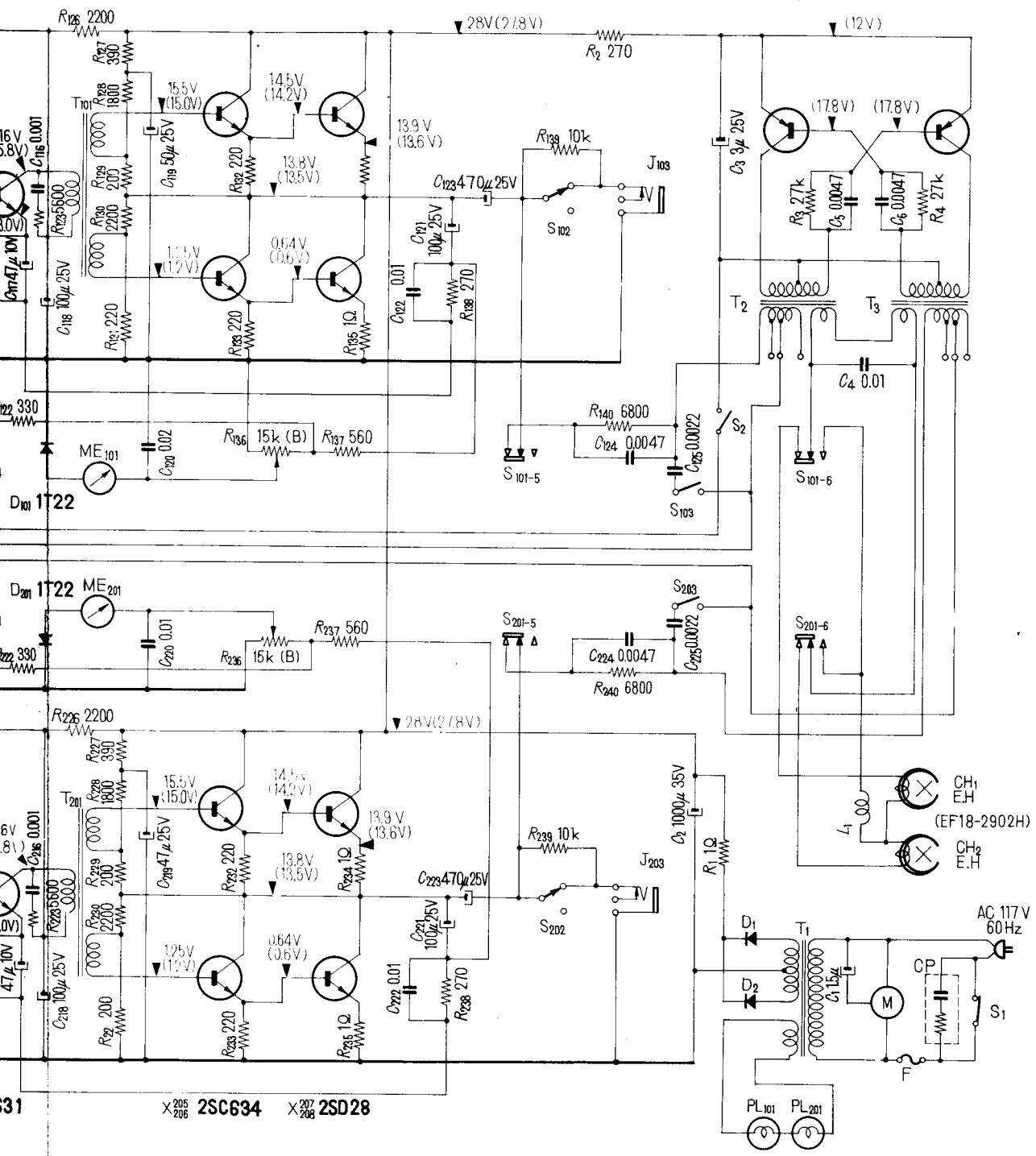
(2) Voltage values shown are measured in playback mode. Voltage values enclosed in parentheses are variations may be noted because of component tolerances.

C631

X<sub>105</sub> 2SC634 X<sub>107</sub> 2SD28

X<sub>1</sub> 2SB383

X<sub>2</sub> 2SB383



331

X<sub>205</sub> 2SC634 X<sub>207</sub> 2SD28

values shown are measured by using a voltmeter (20 kΩ/volt) back mode.  
 values enclosed in parentheses are measured in record mode.  
 variations may be noted because of normal production tolerances.