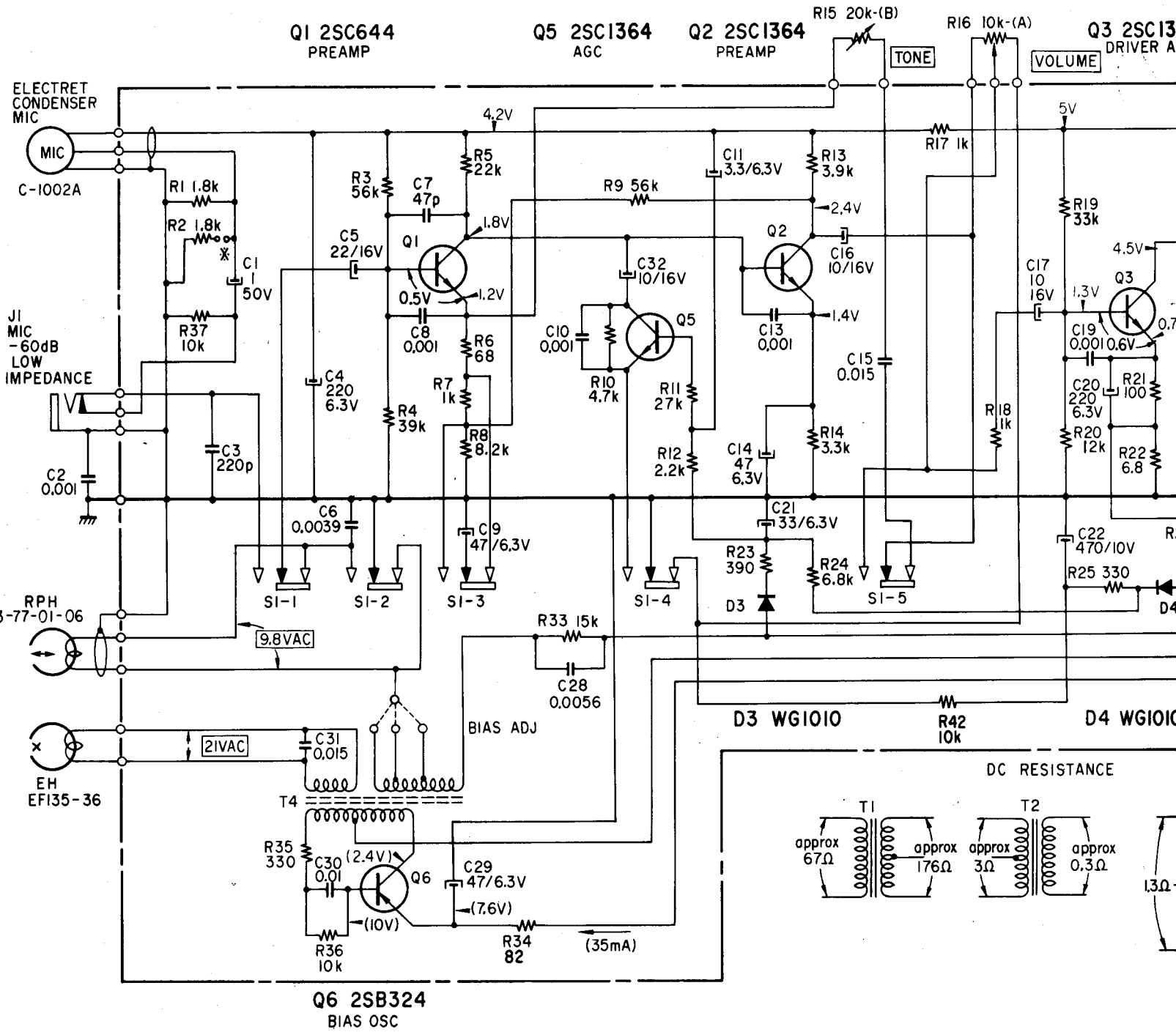


4-2. SCHEMATIC DIAGRAM



Note:

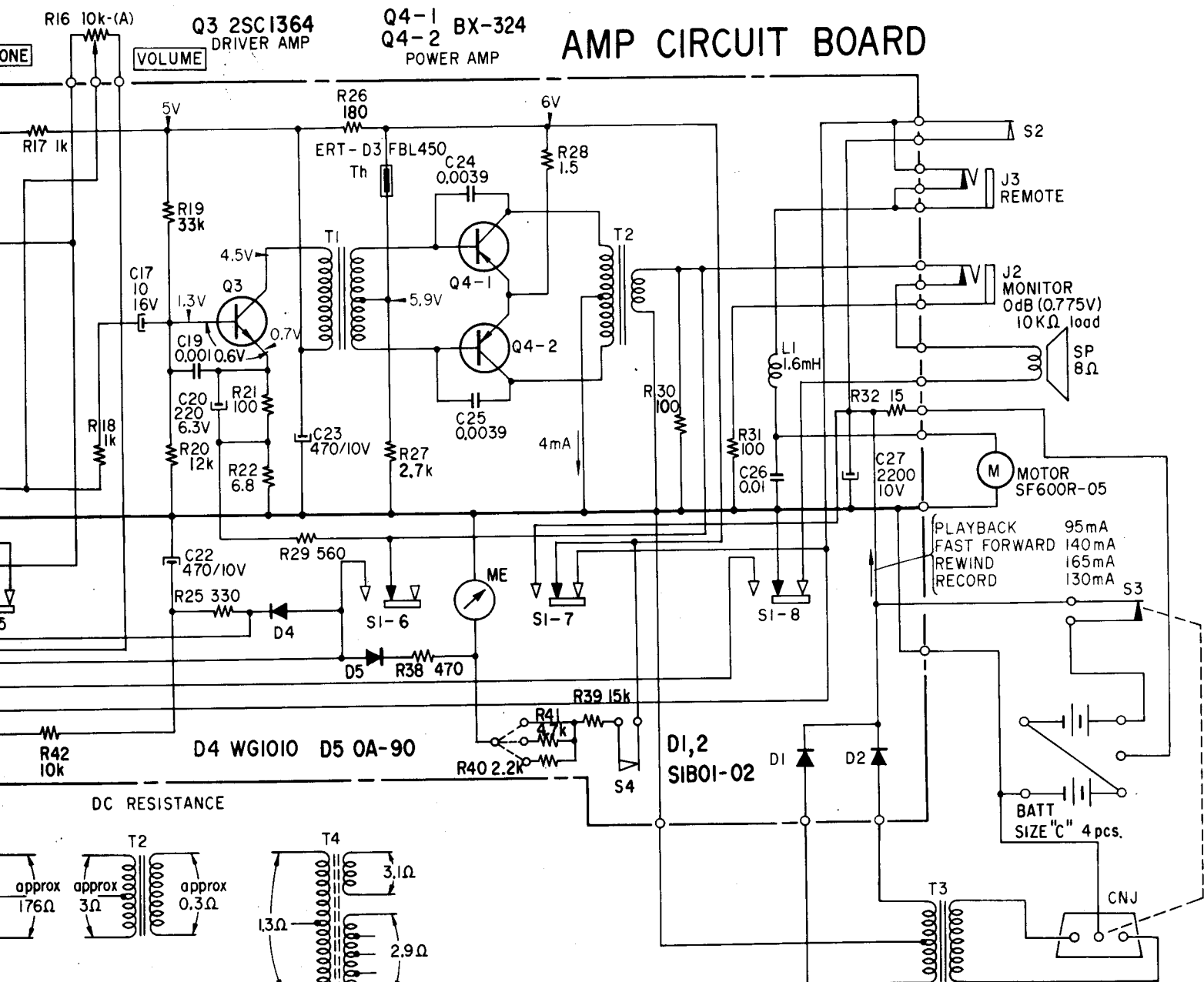
- All resistors and capacitors are in Ω and μF , unless otherwise specified.
- Letter in () suffixed to variable resistor value indicates characteristics.
- --- : Chassis ground
- Connect portion marked \times when red marked microphone is used.

- (N) : Low noise resistor.
- Voltage values shown are measured with a voltmeter (20 k Ω/V). Variations may be noted due to normal production tolerances.
no mark : playback mode voltage
() : record mode voltage
- AC voltage values across heads are measured with VTVM in record mode.

• Switch m

Ref. No.
S1
S2
S3
S4
S5

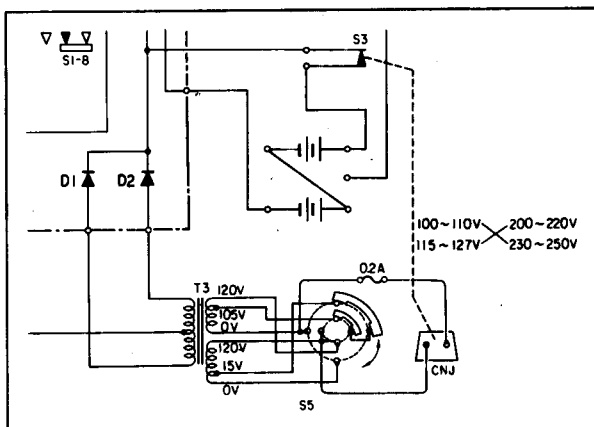
AMP CIRCUIT BOARD



• Switch mode:

Ref. No.	Switch	Mode
S1	record/playback	playback
S2	power	OFF
S3	AC/DC	DC
S4	meter	OFF
S5	VOLT SELECT (E)	200 ~ 220 V

E Model



with a
may be
variances.

measured