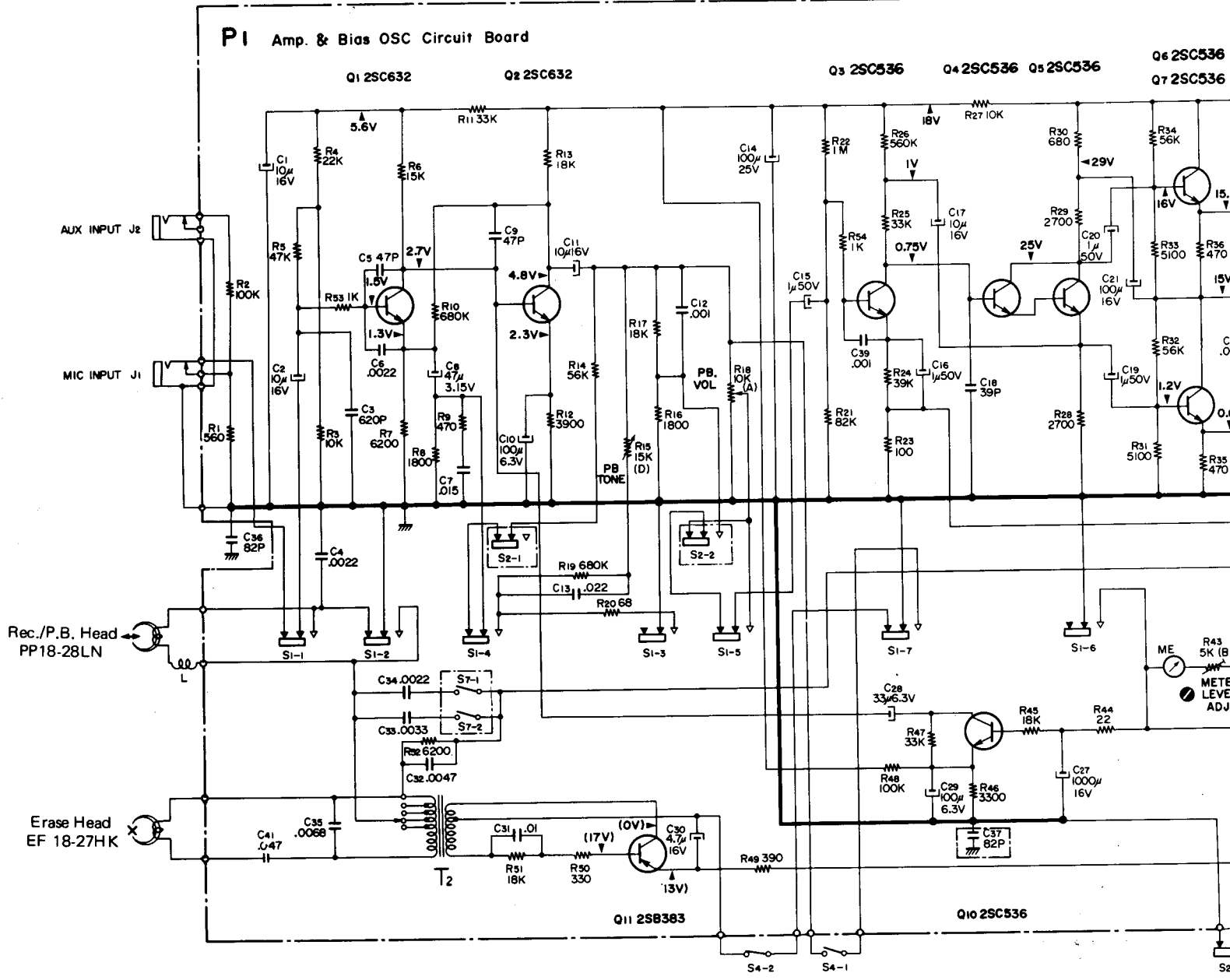
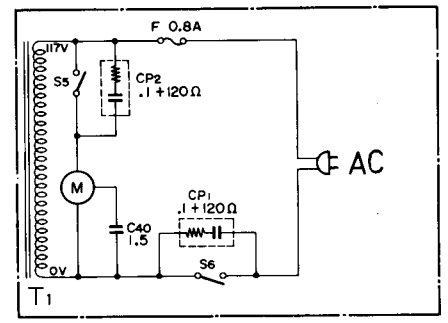
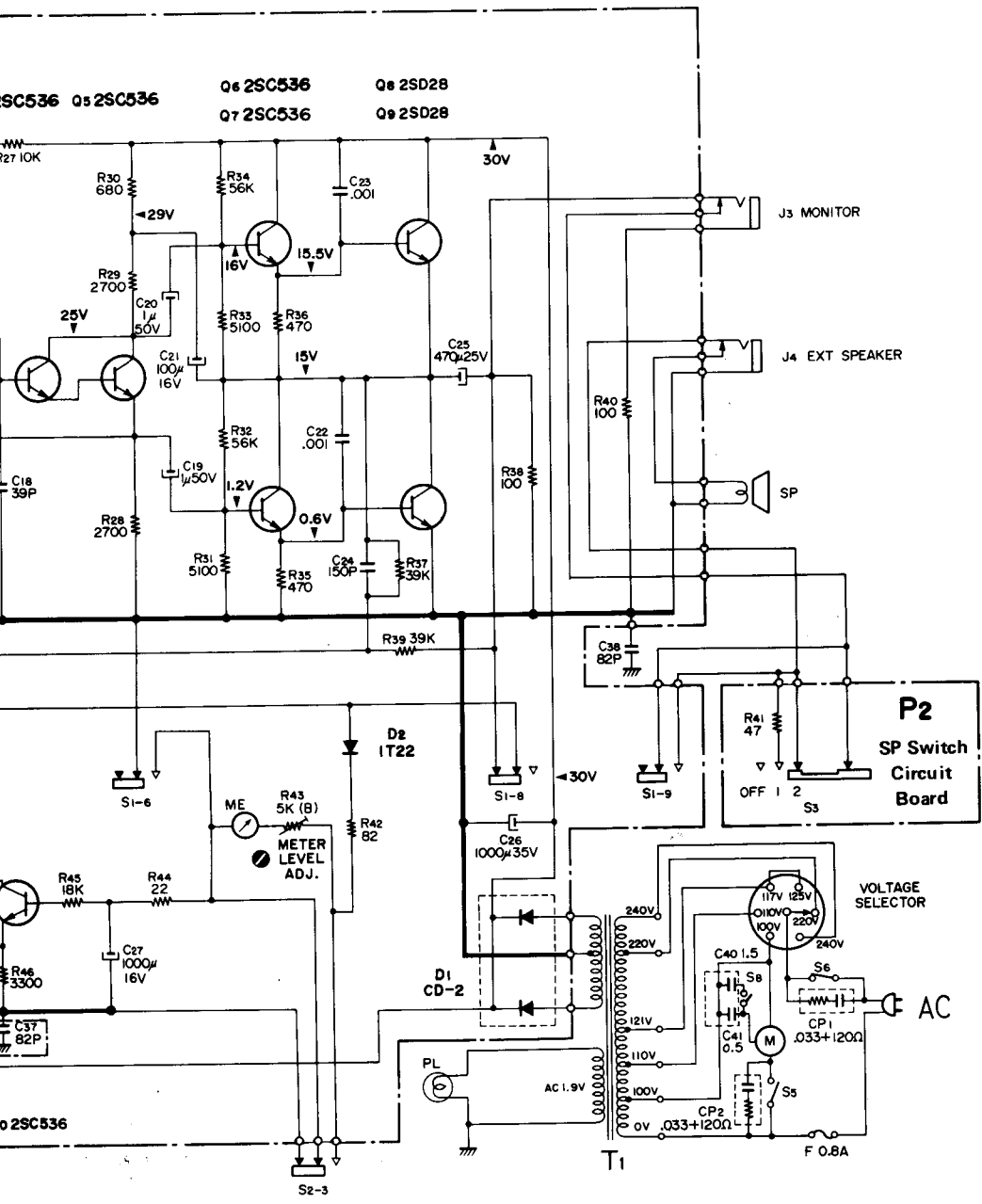


9. SCHEMATIC DIAGRAM



- Notes:
1. All resistors and capacitors are rated in Ω and μF unless otherwise indicated.
 2. ⦿ : indicates adjustable resistor.
 3. ⏏ : indicates ground to chassis.
 4. The letter (A), (B) or (D) suffixed to rating value of variable resistor indicates its characteristics.
 5. Voltages show DC and are taken to ground circuit with a dc voltmeter (20 k Ω /V DC) in Playback mode.
Voltages in () are taken in Record mode.
 6. Voltage selector is connected to 220 V terminal.
 7. L: Hum buck coil, three turned coil made of 0.8 mm ϕ enameled copper wire.
 8. R18 is a potentiometer with switch (S6).



(Model for Canada)

Switching Position is as shown in the following table.

| Switch No. | Description | Position |
|------------|---------------------------|----------|
| S1 | Record/Playback Switch | Record |
| S2 | AUTO/MANUAL Switch | MANUAL |
| S3 | SPEAKER Switch | 2 |
| S4-1 | Muting Switch | OFF |
| S4-2 | Bias ON/OFF Switch | ON |
| S5 | Automatic SHUT-OFF Switch | OFF |
| S6 | POWER ON/OFF Switch | ON |
| S7-1 | Equalizer Switch | OFF |
| S7-2 | Equalizer Switch | OFF |
| S8 | Frequency Selector Switch | 60 Hz |

S7-1: ON at 3 3/4 ips, OFF at 7 1/2 ips, 1 7/8 ips.
 S7-2: ON at 1 7/8 ips, OFF at 3 3/4 ips, 7 1/2 ips.