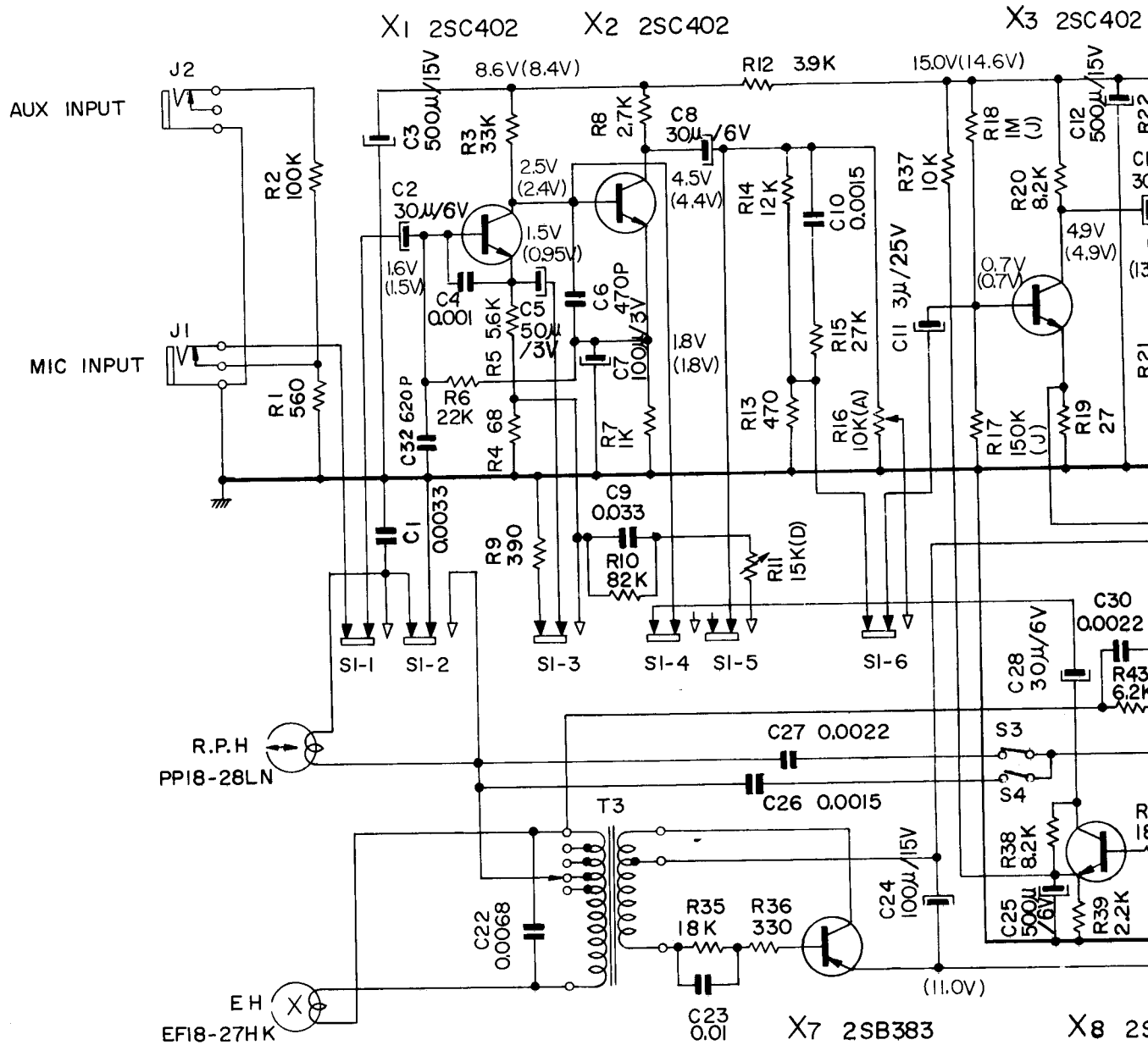
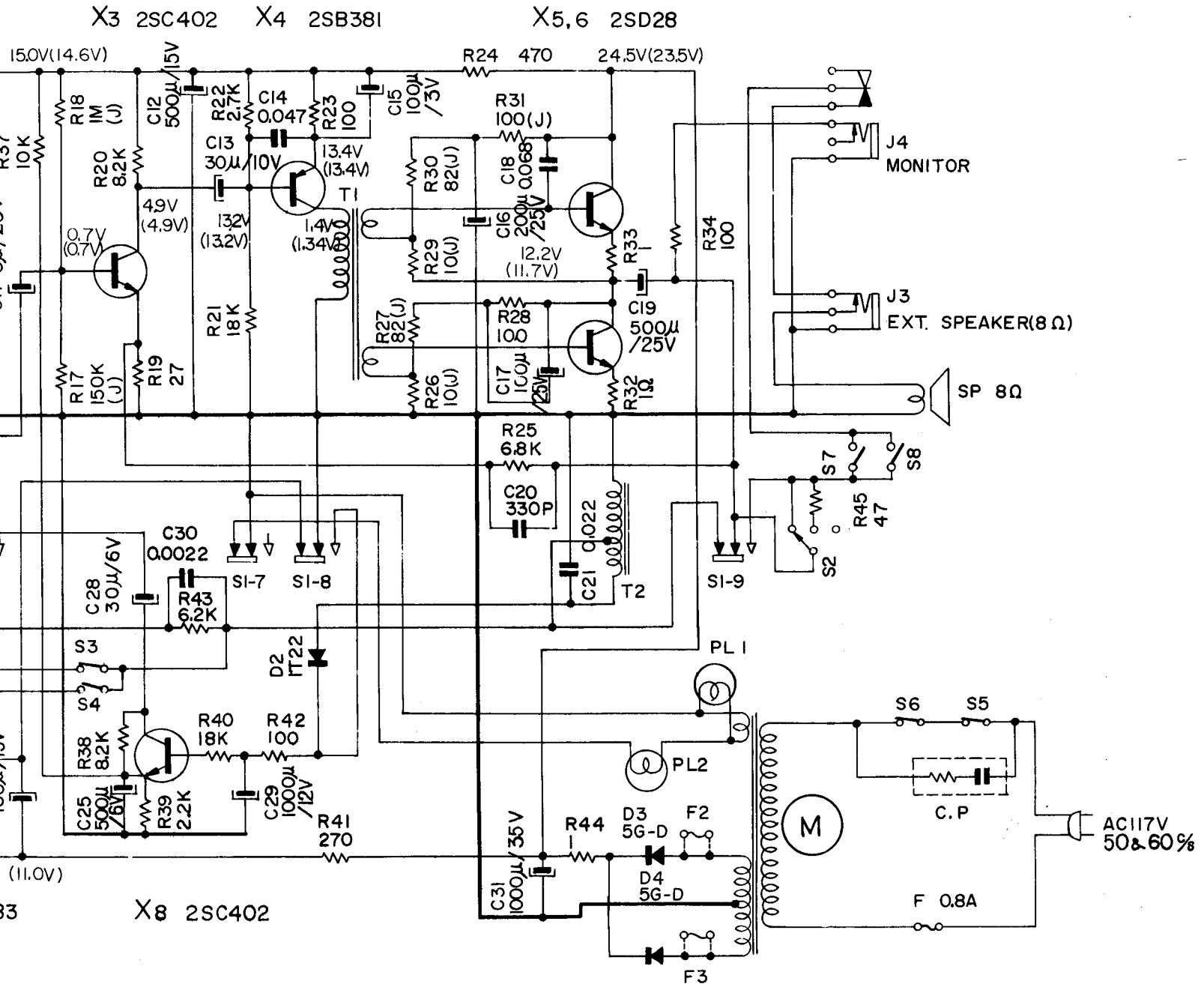


Circuit Schematic





- S₁: RECORD/PLAYBACK SWITCH (SHOWN IN RECORD POSITION)
- S₂: SPEAKER ON/OFF SWITCH
- S₃: EQUALIZER SWITCH (3- $\frac{3}{4}$ IPS POSITION)
- S₄: EQUALIZER SWITCH (1- $\frac{7}{8}$ IPS POSITION)
- S₅: POWER ON/OFF SWITCH
- S₆: AUTOMATIC SHUT-OFF ACTUATOR: micro
- S₇: MUTING SWITCH (SHOWN IN PLAYBACK POSITION)
- S₈: MUTING SWITCH (SHOWN IN RECORD POSITION)

Values in parentheses are measured with VTVM in Record