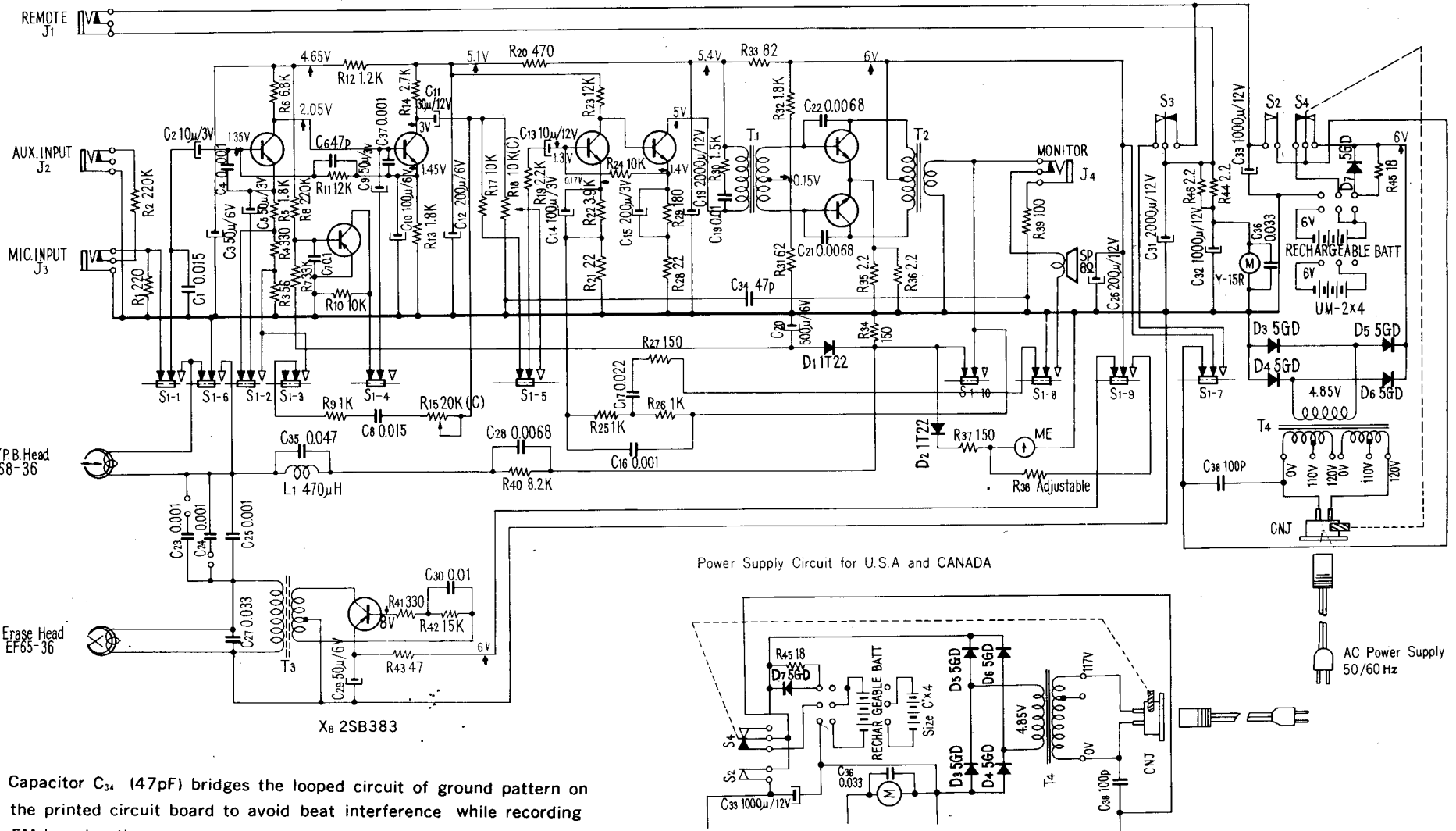


Circuit Schematic

X₁ 2SC402 X₂ 2SB382 X₃ 2SC402

X₄ 2SC402 X₅ 2SC402

X_{6,7} 2SD127A



Rec/P.B. Head
PP68-36

— 12 —

Erase Head
EF65-36

X₈ 2SB383

Capacitor C₃₄ (47pF) bridges the looped circuit of ground pattern on the printed circuit board to avoid beat interference while recording FM broadcasting program.

	Description	Switch Position
S ₁	Rec P.B. Selector	Record
S ₂	Power ON OFF Switch	ON
S ₃	FWD F.F., RWD Selector	F.F., RWD
S ₄	AC DC Switch	DC

AC Power Supply
50/60 Hz