

STR-K740P/K840P

SERVICE MANUAL

Ver 1.2 2003.09

US Model
Canadian Model
AEP Model
UK Model
E Model



Photo : STR-K840P (SILVER model)

- STR-K740P/K840P are the tuner and the amplifier section in HT-DDW740/DDW840.

Dolby Laboratories Licensing Corporation.
"DOLBY" the double-D symbol $\square\square$ "AC-3" and "PRO LOGIC"
are trademarks of Dolby Laboratories Licensing Corporation.

SPECIFICATIONS

POWER OUTPUT AND TOTAL HARMONIC DISTORTION:

With 8 ohm loads, both channels driven, from 40 – 20,000 Hz; rated 100 watts (STR-K840P only)/80 watts (STR-K740P only) per channel minimum RMS power, with no more than 0.09 % total harmonic distortion from 250 milliwatts to rated output (Models of area code U only).

Amplifier section

POWER OUTPUT

Models of area code U, CA

Rated Power Output at Stereo Mode

(8 ohms 40 Hz – 20 kHz, THD 0.09 %)

STR-K840P: 100 W + 100 W
STR-K740P: 80 W + 80 W

Reference Power Output

(8 ohms 1 kHz, THD 0.7 %)

STR-K840P: FRONT¹⁾: 100 W/ch
CENTER¹⁾: 100 W
SURR¹⁾: 100 W/ch
STR-K740P: FRONT¹⁾: 80 W/ch
CENTER¹⁾: 80 W
SURR¹⁾: 80 W/ch

Models of area code CEL,CEK

Rated Power Output at Stereo Mode

(8 ohms 1 kHz, THD 0.7 %)

STR-K840P: 100 W + 100 W²⁾
STR-K740P: 80 W + 80 W²⁾

Reference Power Output²⁾

(8 ohms 1 kHz, THD 0.7 %)

STR-K840P: FRONT¹⁾: 100 W/ch
CENTER¹⁾: 100 W
SURR¹⁾: 100 W/ch
STR-K740P: FRONT¹⁾: 80 W/ch
CENTER¹⁾: 80 W
SURR¹⁾: 80 W/ch

Models of area code AR, SP

Rated Power Output at Stereo Mode

(8 ohms 1 kHz, THD 0.7 %)

STR-K840P: 90 W + 90 W

Reference Power Output²⁾

(8 ohms 1 kHz, THD 10 %)

STR-K840P: FRONT¹⁾: 120 W/ch
CENTER¹⁾: 120 W
SURR¹⁾: 120 W/ch

Models of other area code

Rated Power Output at Stereo Mode

(8 ohms 1 kHz, THD 0.7 %)

STR-K840P: 100 W + 100 W²⁾
STR-K740P: 80 W + 80 W²⁾

Reference Power Output²⁾

(8 ohms 1 kHz, THD 10 %)

STR-K840P: FRONT¹⁾: 120 W/ch
CENTER¹⁾: 120 W
SURR¹⁾: 120 W/ch
STR-K740P: FRONT¹⁾: 100 W/ch
CENTER¹⁾: 100 W
SURR¹⁾: 100 W/ch

1) Depending on the sound field settings and the source, there may be no sound output.

2) Measured under the following conditions:

Area code	Power requirements
E	240 V AC, 50 Hz
SP, CEL, CEK, AR	230 V AC, 50 Hz
MX	120 V AC, 60 Hz

— Continued on next page —

FM STEREO FM-AM RECEIVER

9-873-544-03

2003I16-1

© 2003.09

Sony Corporation

Home Audio Company

Published by Sony Engineering Corporation

SONY®

Frequency response

MULTI CH IN ³⁾ , CD,	10 Hz – 50 kHz
MD/TAPE, DVD/LD,	+0.5/-2 dB (with sound
VIDEO 1, 2	field, and tone bypassed)

Inputs (Analog)

MULTI CH IN ³⁾ , CD,	Sensitivity: 250 mV
MD/TAPE, DVD/LD,	Impedance: 50 kilohms
VIDEO 1, 2	S/N ⁴⁾ : 96 dB (A, 250 mV ⁵⁾)

3) HT-DDW840 only

4) INPUT SHORT (with sound field and tone bypassed).

5) Weighted network, input level.

Inputs (Digital)

DVD/LD (Coaxial)	Sensitivity: – Impedance: 75 ohms S/N: 100 dB (A, 20 kHz LPF)
------------------	--

VIDEO 2 (Optical)	Sensitivity: – Impedance: – S/N: 100 dB (A, 20 kHz LPF)
-------------------	--

Outputs

MD/TAPE (OUT), VIDEO 1 (AUDIO OUT)	Voltage: 250 mV Impedance: 10 kilohms
--	--

SUB WOOFER	Voltage: 2 V Impedance: 1 kilohms
------------	--------------------------------------

Tone

Gain levels: ±6 dB, 1 dB step

FM tuner section

Tuning range 87.5 - 108.0 MHz

Antenna terminals 75 ohms, unbalanced

Intermediate Frequency

10.7 MHz

Sensitivity

Mono: 18.3 dBf, 2.2 µV/75 ohms
Stereo: 38.3 dBf, 22.5 µV/75 ohms

Usable sensitivity 11.2 dBf, 1 µV/75 ohms

S/N
Mono: 76 dB
Stereo: 70 dB

Harmonic distortion at 1 kHz

Mono: 0.3%
Stereo: 0.5%

Separation 45 dB at 1 kHz

Frequency response 30 Hz – 15 kHz,
+0.5/-2 dB

Selectivity 60 dB at 400 kHz

AM tuner section

Tuning range

Models of area code U, CA

With 10-kHz tuning scale: 530 – 1710 kHz⁶⁾

With 9-kHz tuning scale: 531 – 1710 kHz⁶⁾

Models of area code E, AR, MX

With 10-kHz tuning scale: 530 – 1610 kHz⁶⁾

With 9-kHz tuning scale: 531 – 1602 kHz⁶⁾

Models of area code MY, SP, CEL, CEK

With 9-kHz tuning scale: 531 – 1602 kHz

Antenna Loop antenna

Intermediate Frequency

450 kHz

Usable sensitivity 50 dB/m (at 1,000 kHz or
999 kHz)

S/N 54 dB (at 50 mV/m)

Harmonic distortion 0.5 % (50 mV/m, 400 Hz)

Selectivity

At 9 kHz: 35 dB
At 10 kHz: 40 dB

6) You can change the AM tuning scale to 9 kHz or 10 kHz. After tuning in any AM station, turn off the receiver. Hold down PRESET TUNING + and press . All preset stations will be erased when you change the tuning scale. To reset the scale to 10 kHz (or 9 kHz), repeat the procedure.

Video section

Inputs

Video: 1 V_{p-p}, 75 ohms

Outputs

Video: 1 V_{p-p}, 75 ohms

General

Power requirements

Area code	Power requirements
U, CA, MX	120 V AC, 60 Hz
CEL, CEK	230 V AC, 50/60 Hz
MY, SP, AR	220 – 230 V AC, 50/60 Hz
E	120/220/240 V AC, 50/60 Hz

Power consumption

Area code	Power consumption
U, MX	STR-K840P: 210 W STR-K740P: 180 W
CA	STR-K840P: 300 VA STR-K740P: 260 VA
CEL, CEK, MY, SP, E, AR	STR-K840P: 180 W STR-K740P: 155 W

Power consumption (during standby mode)
0.5 W

Dimensions 430 □ 145 □ 298 mm
(16 7/8 □ 5 7/8 □ 11 6/8
inches) including
projecting parts and
controls

Mass (Approx.) 7.0 kg (15 lb 7 oz)

Design and specifications are subject to change without notice.

- Abbreviation
 - U : US model.
 - CA : Canadian model.
 - CEL : AEP model.
 - CEK : UK model.
 - SP : Singapore model. (Malaysia model included.)
 - MX : Mexican model.
 - MY : Malaysia model.
 - AR : Argentine model.

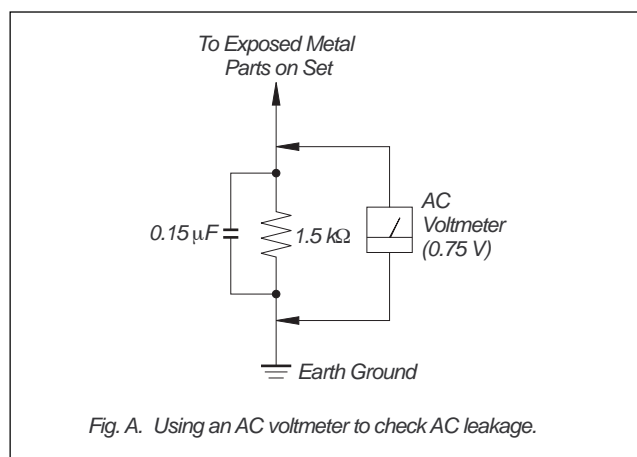
SAFETY CHECK-OUT

After correcting the original service problem, perform the following safety checks before releasing the set to the customer: Check the antenna terminals, metal trim, “metallized” knobs, screws, and all other exposed metal parts for AC leakage. Check leakage as described below.

LEAKAGE

The AC leakage from any exposed metal part to earth ground and from all exposed metal parts to any exposed metal part having a return to chassis, must not exceed 0.5 mA (500 microamperes). Leakage current can be measured by any one of three methods.

1. A commercial leakage tester, such as the Simpson 229 or RCA WT-540A. Follow the manufacturers' instructions to use these instruments.
2. A battery-operated AC milliammeter. The Data Precision 245 digital multimeter is suitable for this job.
3. Measuring the voltage drop across a resistor by means of a VOM or battery-operated AC voltmeter. The “limit” indication is 0.75 V, so analog meters must have an accurate low-voltage scale. The Simpson 250 and Sanwa SH-63Trd are examples of a passive VOM that is suitable. Nearly all battery operated digital multimeters that have a 2V AC range are suitable. (See Fig. A)



Notes on chip component replacement

- Never reuse a disconnected chip component.
- Notice that the minus side of a tantalum capacitor may be damaged by heat.

Unleaded solder

Boards requiring use of unleaded solder are printed with the lead-free mark (LF) indicating the solder contains no lead.

(Caution: Some printed circuit boards may not come printed with the lead free mark due to their particular size.)



: LEAD FREE MARK

Unleaded solder has the following characteristics.

- Unleaded solder melts at a temperature about 40°C higher than ordinary solder.
Ordinary soldering irons can be used but the iron tip has to be applied to the solder joint for a slightly longer time.
Soldering irons using a temperature regulator should be set to about 350°C.
Caution: The printed pattern (copper foil) may peel away if the heated tip is applied for too long, so be careful!
- Strong viscosity
Unleaded solder is more viscous (sticky, less prone to flow) than ordinary solder so use caution not to let solder bridges occur such as on IC pins, etc.
- Usable with ordinary solder
It is best to use only unleaded solder but unleaded solder may also be added to ordinary solder.

SAFETY-RELATED COMPONENT WARNING!!

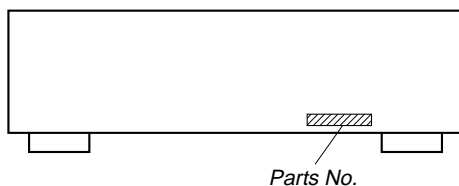
COMPONENTS IDENTIFIED BY MARK \triangle OR DOTTED LINE WITH MARK \triangle ON THE SCHEMATIC DIAGRAMS AND IN THE PARTS LIST ARE CRITICAL TO SAFE OPERATION. REPLACE THESE COMPONENTS WITH SONY PARTS WHOSE PART NUMBERS APPEAR AS SHOWN IN THIS MANUAL OR IN SUPPLEMENTS PUBLISHED BY SONY.

ATTENTION AU COMPOSANT AYANT RAPPORT À LA SÉCURITÉ!

LES COMPOSANTS IDENTIFIÉS PAR UNE MARQUE \triangle SUR LES DIAGRAMMES SCHÉMATIQUES ET LA LISTE DES PIÈCES SONT CRITIQUES POUR LA SÉCURITÉ DE FONCTIONNEMENT. NE REMPLACER CES COMPOSANTS QUE PAR DES PIÈCES SONY DONT LES NUMÉROS SONT DONNÉS DANS CE MANUEL OU DANS LES SUPPLÉMENTS PUBLIÉS PAR SONY.

MODEL IDENTIFICATION

— BACK PANEL —



MODEL	PARTS No.
K740P : US	4-238-189-2□
K740P : Canadian	4-238-189-3□
K740P : Malaysia,Singapore	4-238-189-4□
K740P : E	4-238-189-5□
K740P : AEP	4-238-189-6□
K740P : UK	4-238-189-7□
K840P : US	4-238-193-0□
K840P : Canadian	4-238-193-1□
K840P : Malaysia, Singapore	4-238-193-2□
K840P : E	4-238-193-3□
K840P : AEP	4-238-193-4□
K840P : UK	4-238-193-5□
K840P : Argentine	4-238-193-8□
K840P : Mexican	4-238-193-9□

TABLE OF CONTENTS

1. GENERAL	5
2. TEST MODE	6
3. DIAGRAMS	8
3-1. Circuit Board Location	8
3-2. Block Diagrams – MAIN Section –	10
– DISPLAY/POWER Section –	11
3-3. Printed Wiring Board – DIGITAL Section –	12
3-4. Schematic Diagram – DIGITAL Section (1/2) –	13
3-5. Schematic Diagram – DIGITAL Section (2/2) –	14
3-6. Printed Wiring Board – MAIN Section –	15
3-7. Schematic Diagram – MAIN Section (1/2) –	16
3-8. Schematic Diagram – MAIN Section (2/2) –	17
3-9. Printed Wiring Board – DISPLAY Section –	18
3-10. Schematic Diagram – DISPLAY Section –	19
3-11. Printed Wiring Board – VIDEO Section –	20
3-12. Schematic Diagram – VIDEO Section –	20
3-13. Printed Wiring Board – POWER Section –	21
3-14. Schematic Diagram – POWER Section –	22
3-15. IC Block Diagrams	23
3-16. IC PIN FUNCTION DESCRIPTIONS	25
4. EXPLODED VIEWS	27
4-1. Front Panel Section	27
4-2. Chassis Section-1	28
4-3. Chassis Section-2	29
5. ELECTRICAL PARTS LIST	30

SECTION 1 GENERAL

This section is extracted from instruction manual.

ALPHABETICAL ORDER

0 - 9

2 CH **26** (26)

A - D

A.DEC **28** (24, 26)

AM (Except for models of area code CEL, CEK) **32** (31, 32)

BASS +/- **25** (19, 30, 57)

CD **19** (22)

CINEMA STUDIO EX A, B, C **9** (25)

Digital Cinema Sound (indicator) **12** (24)

DIMMER **37** (23)

DISPLAY **2** (23, 34, 52)

Display **11** (23)

DVD/LD **21** (22)

E - L

ENTER **29** (36)

FM (Except for models of area code CEL, CEK) **33** (31, 32)

FM/AM (Models of area code CEL, CEK only) **32** (31, 32)

FM MODE (Models of area code CEL, CEK only) **33**, (Except for models of area code CEL, CEK) **34** (32)

INPUT MODE **15** (22)

IR (receptor) **4** (39, 46, 52)

LEVEL **10** (16, 20, 28, 57)

M

MASTER VOLUME **23** (20, 50)

MD/TAPE **17** (22)

MEMORY **36** (31, 33)

MENU +/- **30** (16, 28, 36, 37, 57)

MENU </> **31** (16, 28, 36, 37, 57)

MODE **27** (25, 30, 51)

MULTI CHANNEL DECODING (indicator) (HT-DDW840 only) **7** (22)

MULTI CH IN (HT-DDW840 only) **14** (22)

MUTING **24** (22, 50)

N - S

NAME **8** (36)

PHONES (jack) **38** (22, 51)

PRESET/PTY SELECT +/- (Models of area code CEL, CEK only) **3** (33, 34)

PRESET TUNING +/- (Except for models of area code CEL, CEK) **3** (33, 54)

PTY (models of area code CEL, CEK only) **34** (34)

SET UP **6** (4, 16, 37, 57)

SHIFT **35** (33)

SLEEP (HT-DDW740 only) **14** (37)

SURR **13** (28, 57)

T - Z

TREBLE +/- **16** (30, 57)

TUNER **22** (22, 32, 33, 36)

TUNING +/- **5** (32)

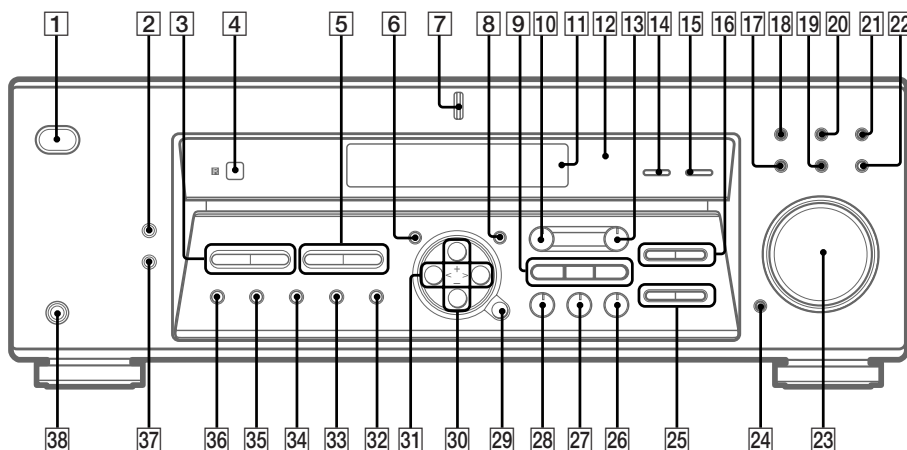
VIDEO 1 **18** (22)

VIDEO 2 **20** (22)

BUTTON DESCRIPTIONS

I/⏻ (power) **1** (4, 15, 20, 21, 30, 31, 54)

- Abbreviation
CEK : UK model.
CEL : AEP model.



SECTION 2 TEST MODE

FACTORY PRESET MODE

* All preset contents are reset to the default setting.

* Procedure:

While depressing the **VIDEO 1** and the **2CH** buttons simultaneously, press the power **I/⏻** button to turn on the main power. The message "FACTORY" appears and switch off the set.

While depressing the **VIDEO 1** and the **2CH** buttons simultaneously, press the power **I/⏻** button again. The message "FACTORY" appears and the present contents are reset to the default values.

AM CHANNEL STEP 9 KHZ/10 KHZ SELECTION MODE

* Either the 9 kHz step or 10 kHz step can be selected for the AM channel step.

* Procedure:

Set the FUNCTION to AM. Turn off the main power.

While depressing the **TUNING+** button or the **PRESET+** button, press the power **I/⏻** button to turn on the main power. Either the message "9 k STEP" or "10 k STEP" appears. Select the desired step.

* For US/Canadian/E model only

SPEAKER SIZE SELECTION MODE

* Either Normal Speaker or Micro Satellite Speaker can be selected.

* Procedure:

While depressing the **LEVEL** button, press the power **I/⏻** button to turn the main power.

Either the message "NORM. SP." or "MICRO SP." is displayed. Select the desired speaker size.

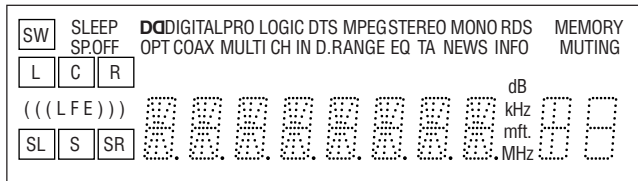
FLUORESCENT INDICATOR TUBE TEST MODE

* All fluorescent segments are tested. When this test is activated, all segments turn on at the same time, then each segment turns on one after another.

* Procedure:

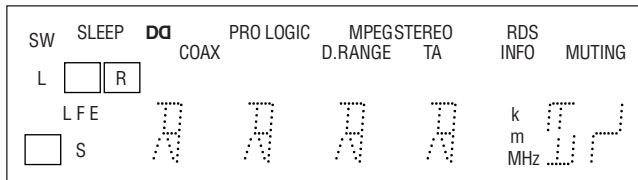
While depressing the **MD/TAPE** and the **SHIFT** buttons simultaneously, press the power **I/⏻** button to turn on the main power.

1. All segments turn on.



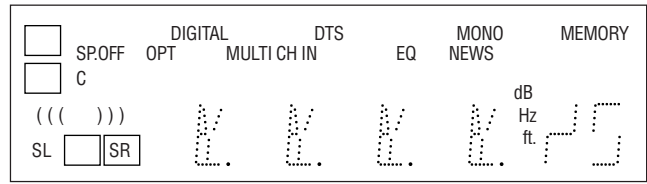
MULTI CHANNEL DECODING, **Digital Cinema Sound**, **A.F.D.**, **MODE**, **2CH** and **SET UP** LED turn on.

2. Press the **VIDEO 1** button, confirm display.



A.F.D., **MODE**, **LEVEL**, **SET UP**, and **Digital Cinema Sound** LED turn on.

3. Press the **VIDEO** button, confirm display



MULTI CHANNEL DECODING, **2CH**, **SURR** and **NAME** LED turn on.

4. Press the **VIDEO** button, All segments turn off.

5. Every pressing of the **VIDEO** button turns on each segment and LED one after another in the same order. (Not only the **VIDEO** button, but also the other buttons such as **DVD/LD**, **TV/SAT**, **MD/TAPE**, **CD**, **TUNER** and **AUX** can be used.)

SOUND FIELD CLEAR MODE

* The preset sound field is cleared when this mode is activated. Use this mode before returning the product to clients upon completion of repair.

* Procedure:

While depressing the **MODE** button, press the power **I/⏻** button to turn on the main power.

The message "SURR. CLR." appears and initialization is performed.

DEMONSTRATION MODE

* Demonstration is performed.

* Procedure :

While depressing the **SET UP** button, press the power **I/⏻** button. The message appears and demonstration is performed.

* To finish DEMONSTRATION MODE, press the power **I/⏻** button while the introduction message appears in the display.

SOFTWARE VERSION DISPLAY MODE

* The software version is displayed.

* Procedure:

While depressing the **ENTER** and the **A.F.D** buttons simultaneously, press the power **I/⏻** button to turn on the main power. The model name, destination and the software version are displayed.

KEY CHECK MODE

* Button check

* Procedure:

While depressing the **VIDEO 1** and the **SHIFT** buttons simultaneously, press the power **I/⏻** button to turn on the main power.

"REST 39" appears. (AEP, UK, model: "RESET 38")



Every pressing of any button other than **I/⏻** and **SPEAKERS** counts down the buttons. The buttons which are already counted once are not counted again. When all buttons are pressed "REST 00" appears.

When **MASTER VOLUME** is rotated in clockwise direction, "VOL MIN", "VOL 1" to "VOL 48", "VOL MAX" appear.

AUTO BETICAL MODE

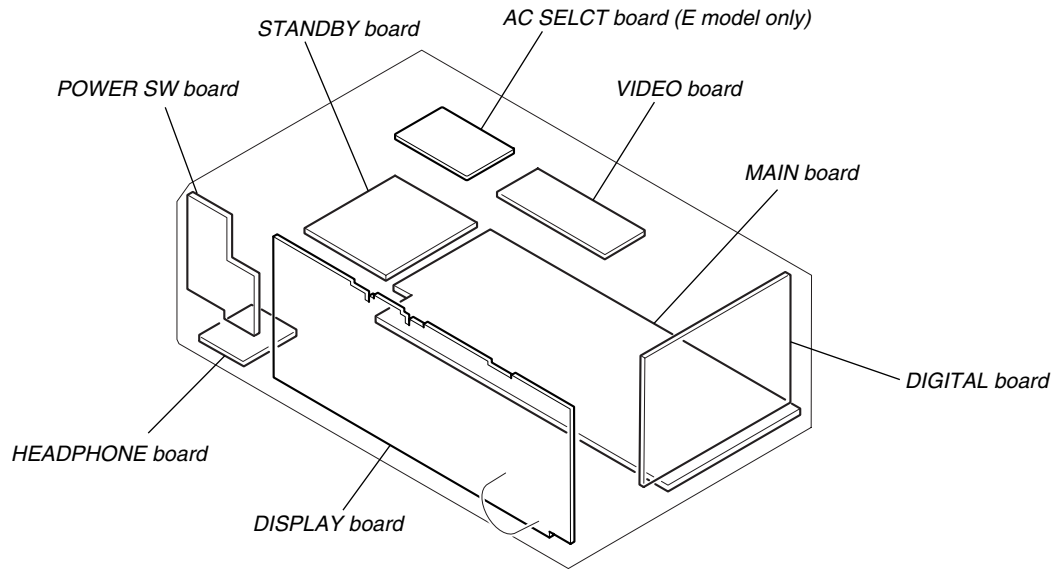
* This mode is installed in the Europe models only. When this mode is used, the receiver scans the broadcasts that can be received by the tuner, and sets up the broadcasts. Be sure to start scanning after connecting the antenna.

* Procedure:

1. Check that the antenna is connected.
2. Press the  button to turn on the power while pressing the  button.
3. The message "AUTO-BETICAL SELECT" appears and the receiver starts scanning.

SECTION 3
DIAGRAMS


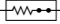

3-1. Circuit Board Location



THIS NOTE IS COMMON FOR PRINTED WIRING BOARDS AND SCHEMATIC DIAGRAMS.
(In addition to this necessary note is printed in each block.)

For schematic diagrams.

Note:

- All capacitors are in μF unless otherwise noted. p : pF. 50 WV or less are not indicated except for electrolytics and tantalums.
- All resistors are in Ω and $1/4\text{W}$ or less unless otherwise specified.
- % : indicates tolerance.
- Δ : internal component.
-  : nonflammable resistor.
-  : fusible resistor.
-  : panel designation.

Note:
 The components identified by mark Δ or dotted line with mark Δ are critical for safety. Replace only with part number specified.

Note:
 Les composants identifiés par une marque Δ sont critiques pour la sécurité. Ne les remplacer que par une pièce portant le numéro spécifié.

-  : B+ Line.
-  : B- Line.

- Voltages and waveforms are dc with respect to ground under no-signal (detuned) conditions.
 No mark : FM

- Voltages are taken with a VOM (Input impedance $10\text{M}\Omega$). Voltage variations may be noted due to normal production tolerances.

- Waveforms are taken with a oscilloscope.
- Circled numbers refer to waveforms.

• **Signal path.**

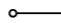

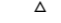

-  : FM
-  : CD (ANALOG)
-  : DVD (DIGITAL)

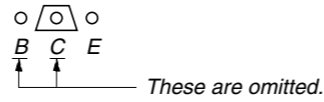
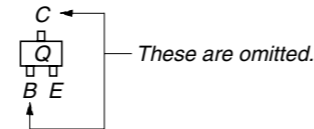
• **Abbreviation**

- CND : Canadian model
- MY : Malaysia model
- SP : Singapore model
- AR : Argentine model
- MX : Mexican model

For printed wiring boards.

Note:

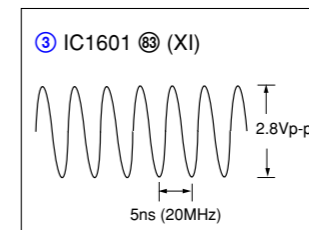
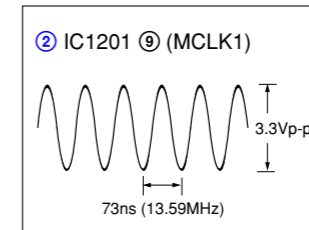
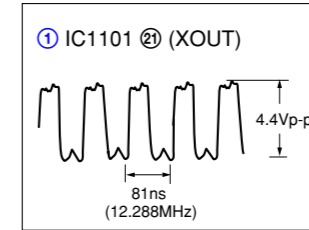
-  : parts extracted from the component side.
-  : Through hole.
-  : internal component.
-  : Pattern from the side which enables seeing.



Caution:
 Pattern face side: Parts on the pattern face side seen from (Side A)
 Parts face side: Parts on the parts face side seen from (Side B)

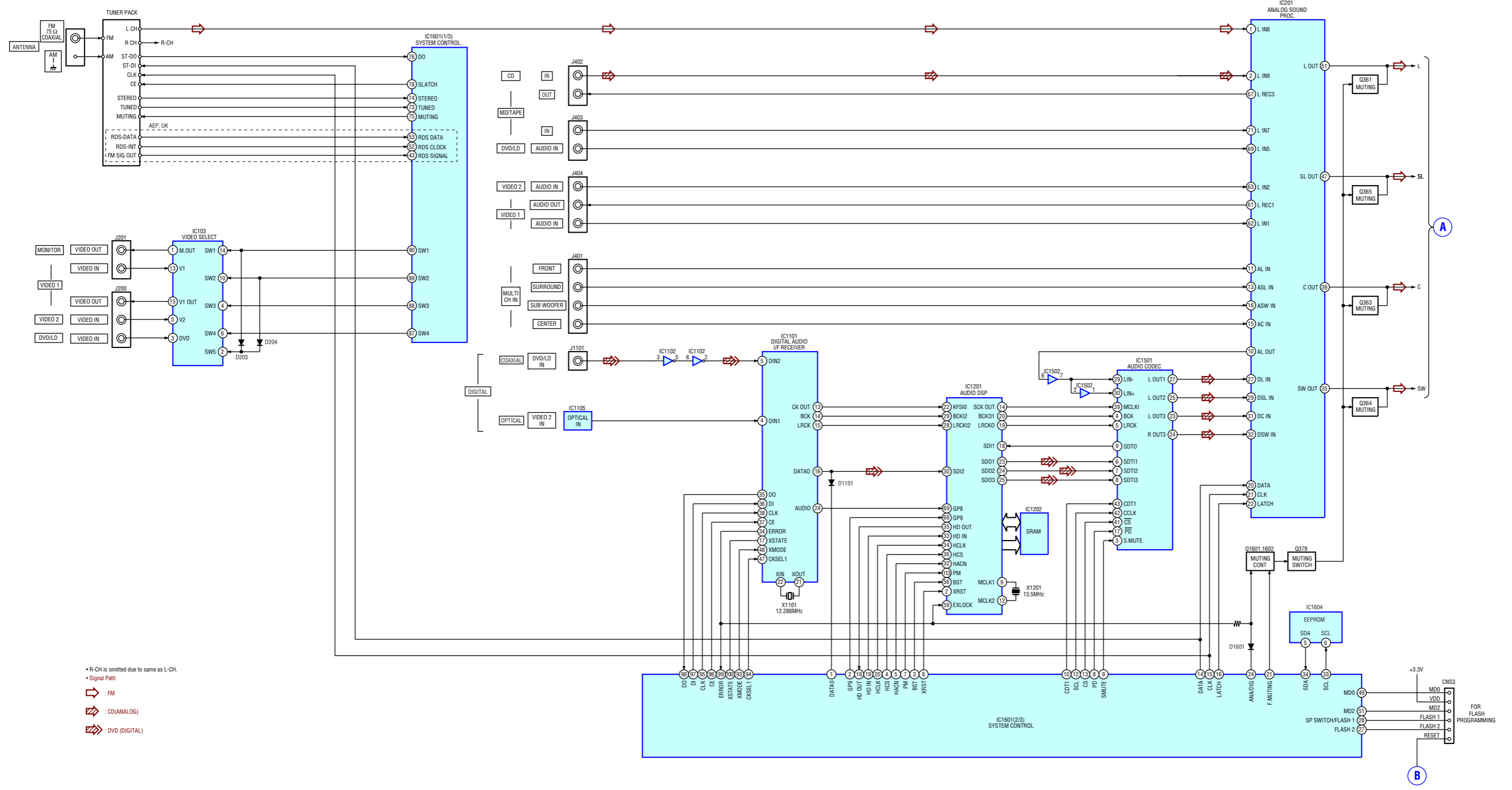
• **Waveform**

DIGITAL Board

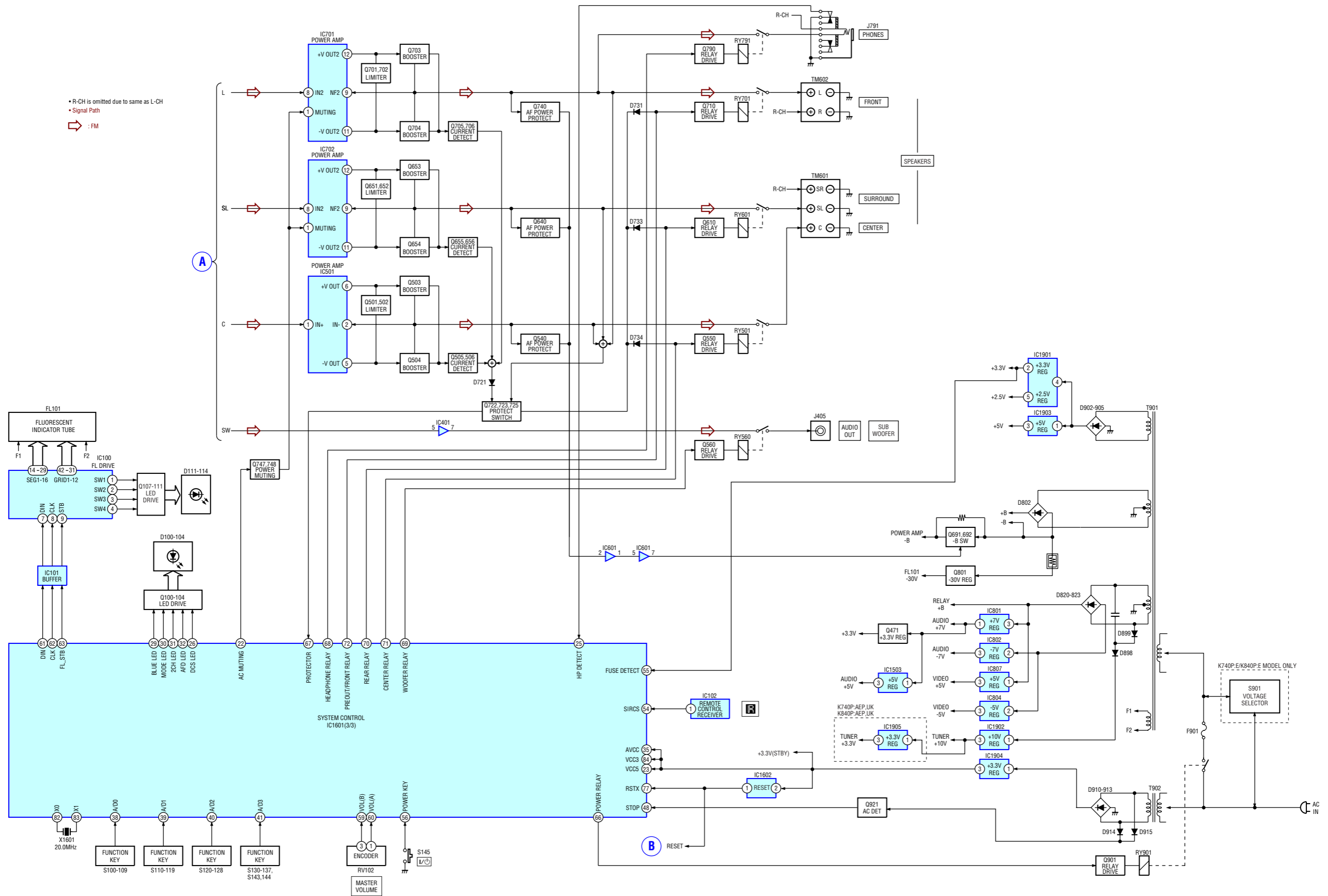


STR-K740P/K840P

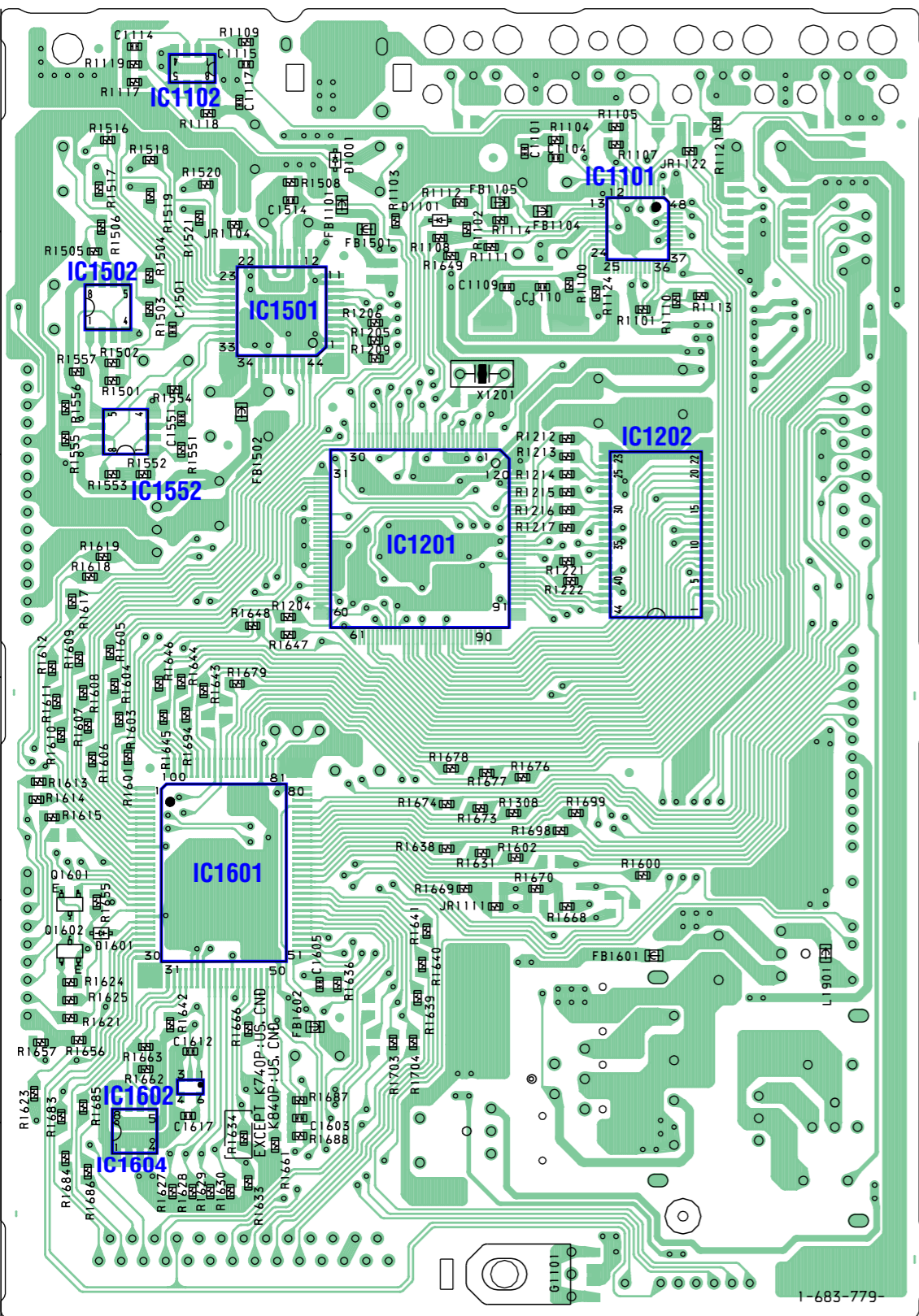
3-2. Block Diagrams – MAIN Section –



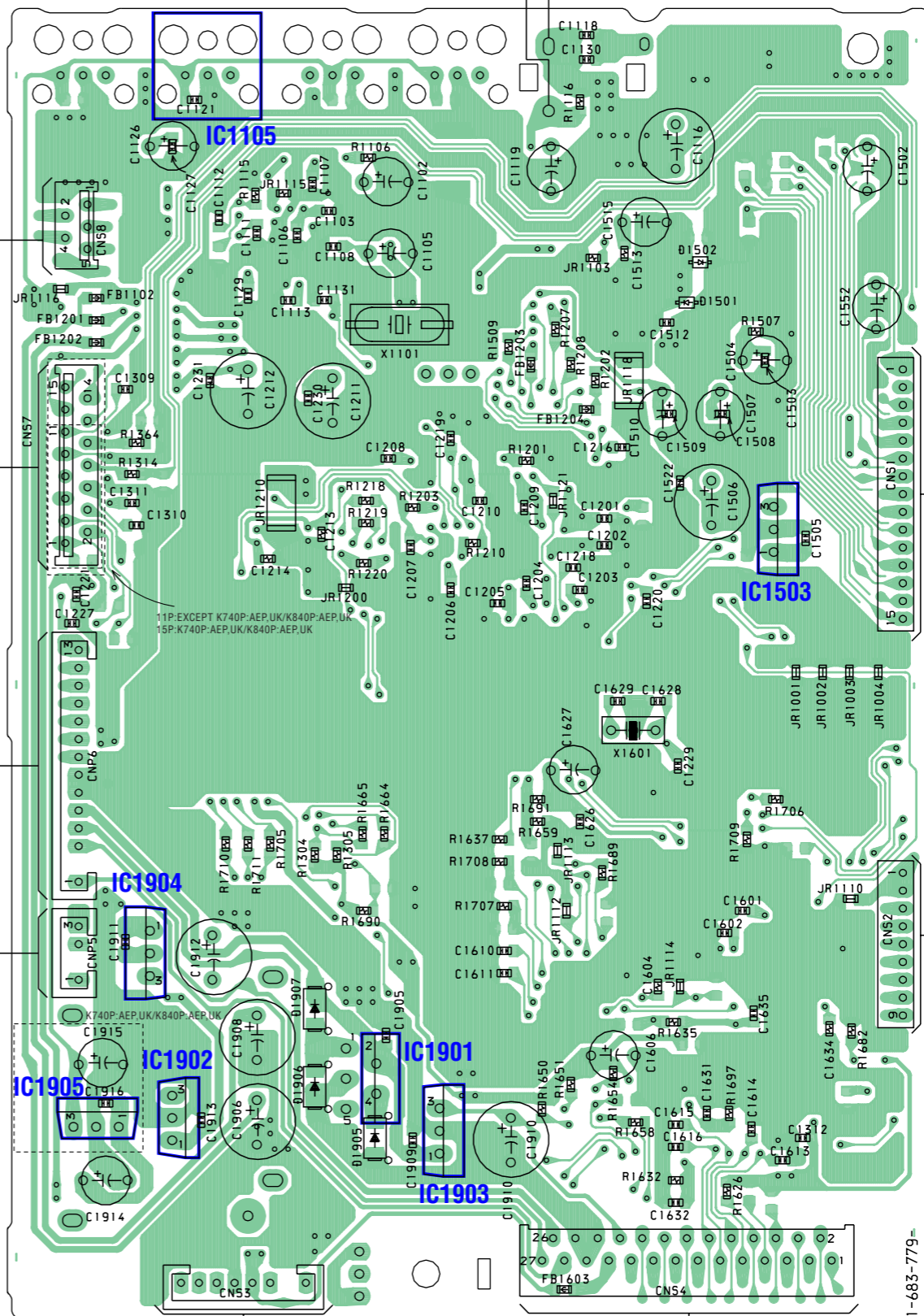
- DISPLAY/POWER Section -



【DIGITAL BOARD】 (SIDE A)



【DIGITAL BOARD】 (SIDE B)



Ref. No.	Location
D1001	A-2
D1101	A-3
D1501	B-8
D1502	B-8
D1601	E-1
D1905	F-7
D1906	E-7
D1907	E-7
IC1101	A-3
IC1102	A-1
IC1105	A-6
IC1201	C-2
IC1202	C-3
IC1501	B-2
IC1502	B-1
IC1503	C-9
IC1552	B-1
IC1601	D-1
IC1602	E-1
IC1604	F-1
IC1901	E-7
IC1902	E-6
IC1903	F-7
IC1904	E-6
Q1601	D-1
Q1602	E-1

(A) TO VIDEO BOARD CNS150 (Page 20)

TO TUNER PACK

(B) TO MAIN BOARD CNP911 (Page 15)

(C) TO STANDBY BOARD CNP912 (Page 21)

(D) TO MAIN BOARD CNP501 (Page 15)

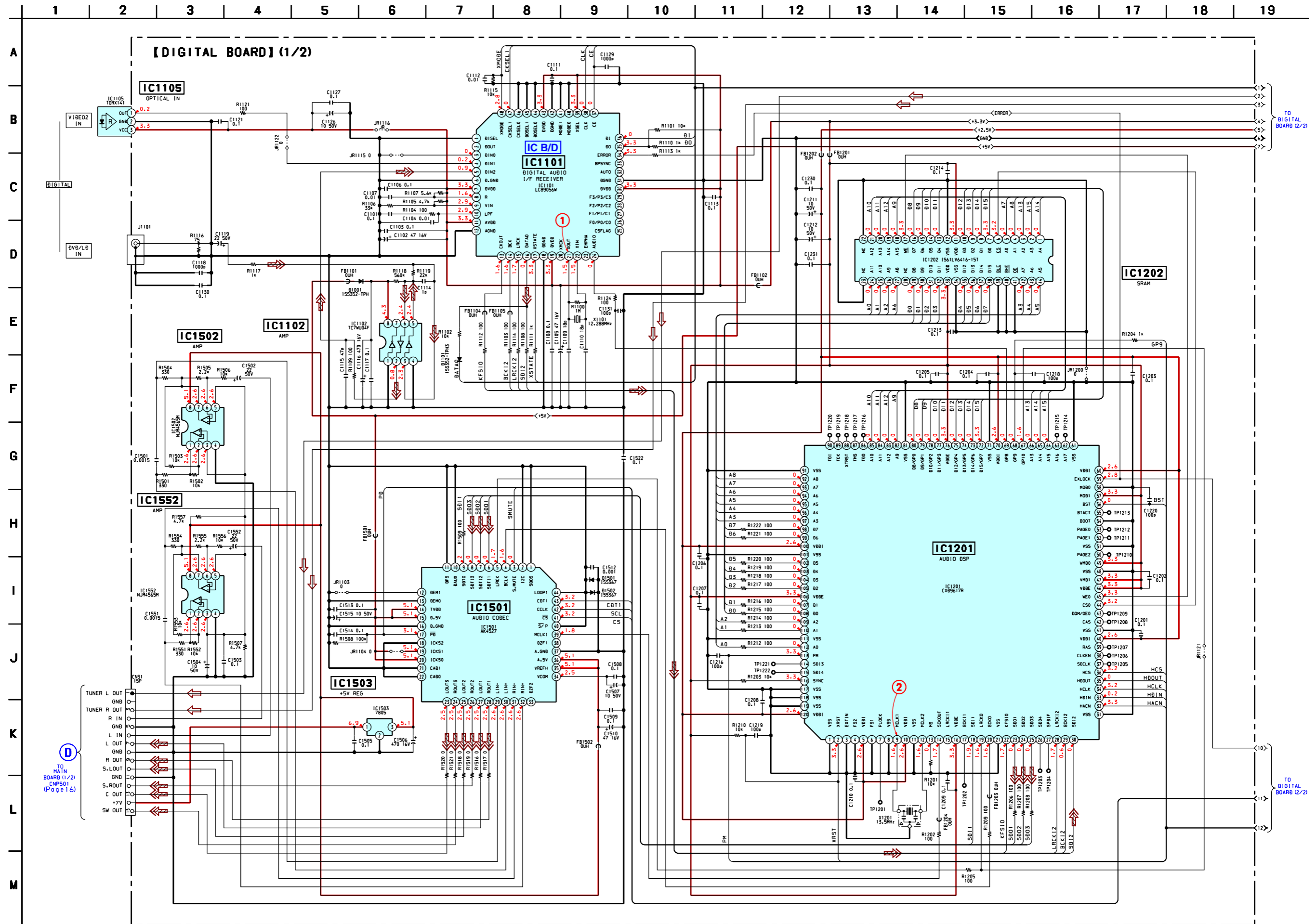
(E) TO MAIN BOARD CNP502 (Page 15)

(F) TO DISPLAY BOARD CNS100 (Page 18)

FOR FLASH PROGRAMMING

3-4. Schematic Diagram – DIGITAL Section (1/2) –

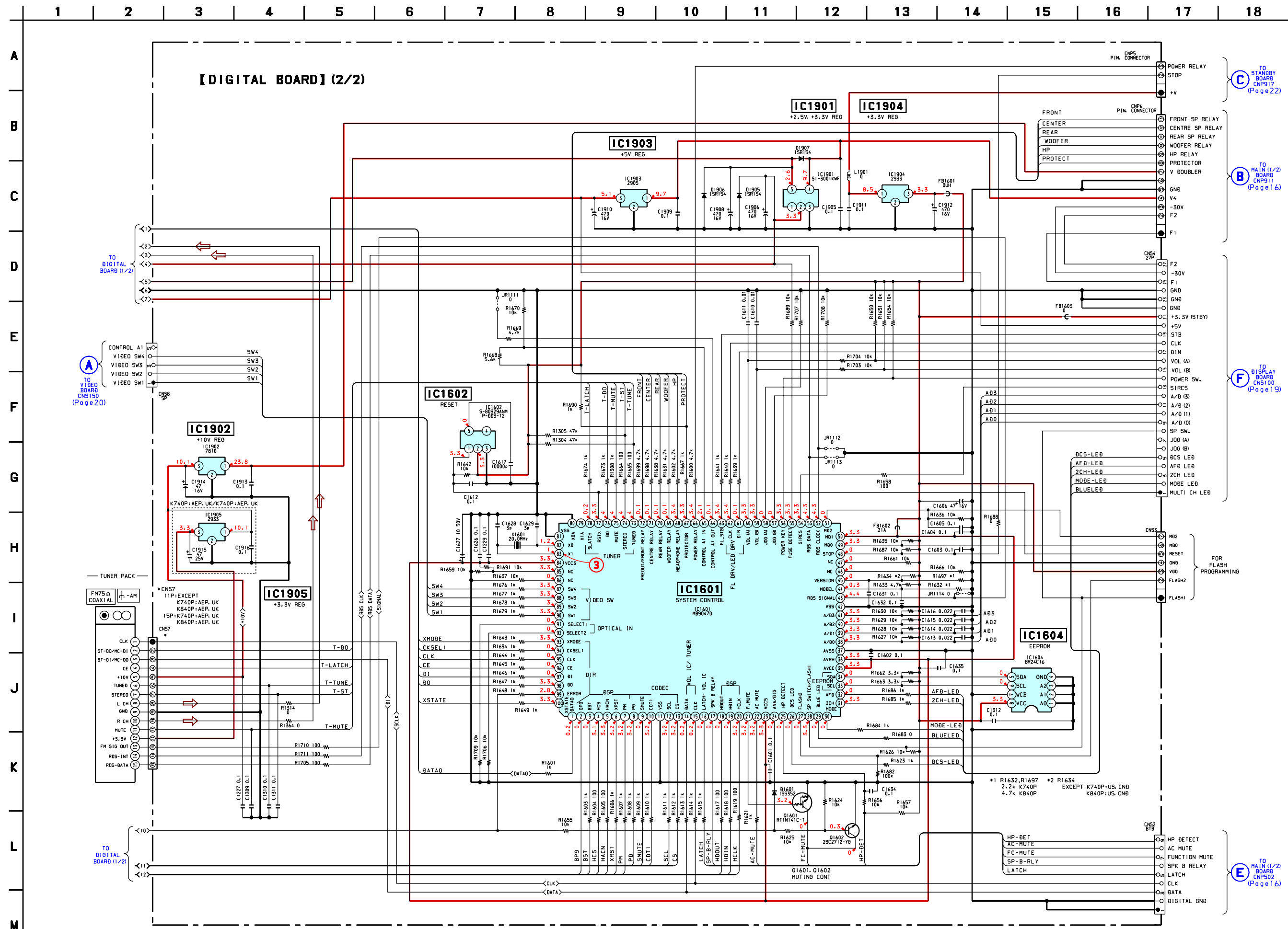
• See page 9 for Waveform. • See page 23 for IC Block Diagrams.



TO MAIN BOARD (1/2) CNP501 (Page 16)

TO DIGITAL BOARD (2/2)

TO DIGITAL BOARD (2/2)

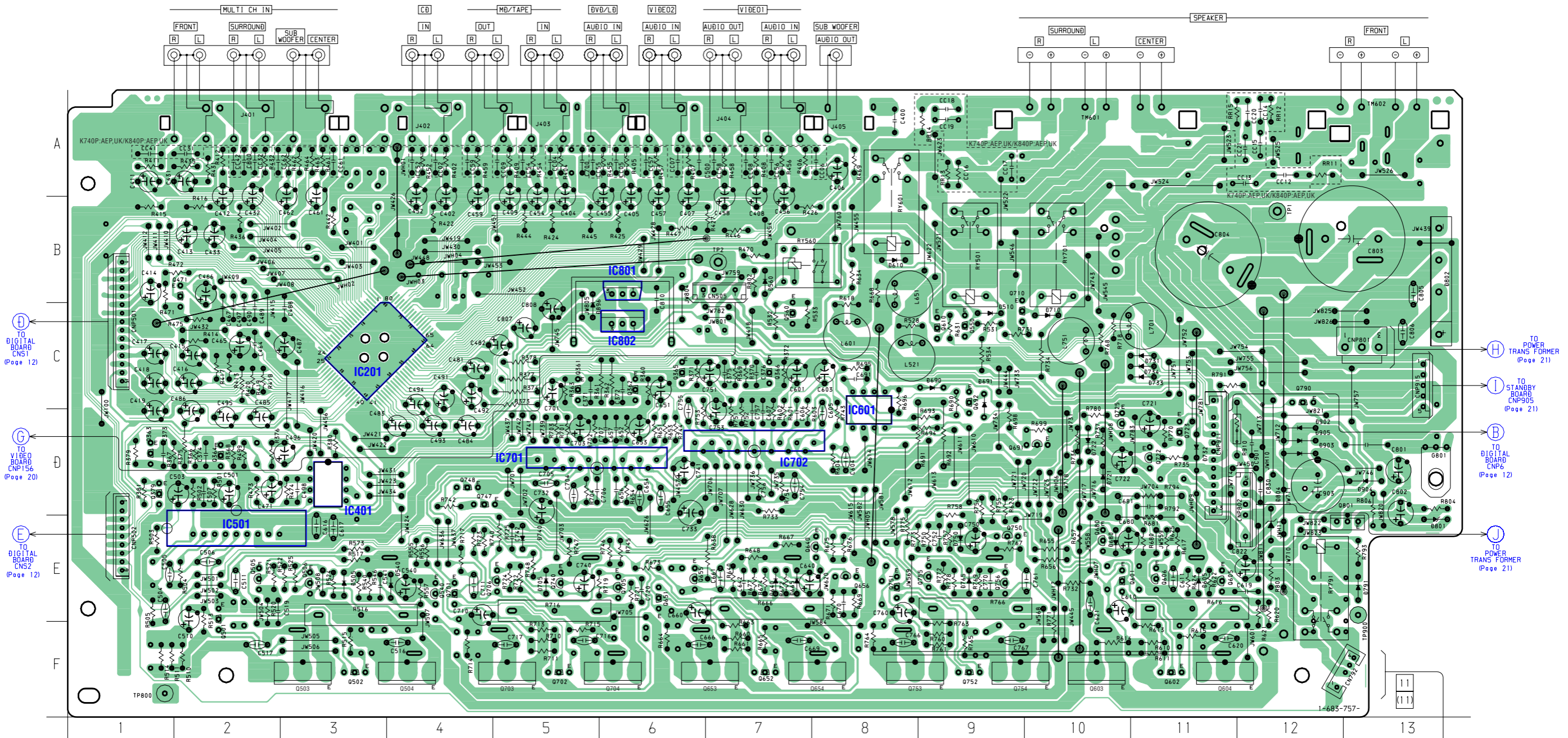


3-6. Printed Wiring Board – MAIN Section –

: Uses unleaded solder.

• See page 8 for Circuit Boards Location.

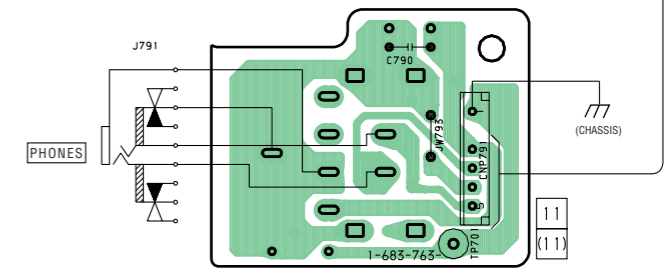
【MAIN BOARD】



• Semiconductor Location

Ref. No.	Location	Ref. No.	Location	Ref. No.	Location	Ref. No.	Location	Ref. No.	Location	Ref. No.	Location	Ref. No.	Location
D505	E-3	D733	C-11	IC201	C-3	Q361	C-5	Q601	E-10	Q701	E-4	Q754	F-9
D510	C-9	D734	C-11	IC401	D-3	Q362	C-6	Q602	F-11	Q702	F-5	Q755	E-9
D540	E-4	D740	E-5	IC501	E-2	Q363	D-1	Q603	F-10	Q703	F-5	Q756	E-9
D560	B-7	D750	E-9	IC601	C-8	Q364	D-2	Q604	F-11	Q704	F-6	Q790	C-12
D605	E-11	D765	E-9	IC701	D-5	Q365	C-6	Q605	E-11	Q705	E-6	Q801	E-12
D610	B-8	D791	E-13	IC702	D-7	Q366	C-7	Q606	E-11	Q706	E-5		
D640	E-7	D801	D-13	IC801	B-6	Q379	D-1	Q610	C-9	Q710	C-9		
D665	E-7	D802	B-13	IC802	C-6	Q471	B-2	Q640	E-7	Q722	D-11		
D680	E-10	D804	D-12			Q501	E-2	Q651	E-6	Q723	D-11		
D690	C-9	D896	C-5			Q502	F-3	Q652	F-7	Q725	D-10		
D691	C-9	D902	D-12			Q503	F-3	Q653	F-7	Q740	E-5		
D705	E-5	D903	D-12			Q504	F-7	Q654	F-8	Q747	D-4		
D710	C-10	D904	D-13			Q505	E-2	Q655	E-6	Q748	D-4		
D721	D-10	D905	D-12			Q506	E-3	Q656	E-8	Q750	E-9		
D722	D-10					Q540	E-4	Q680	E-10	Q751	E-8		
D731	C-11					Q550	C-9	Q691	D-10	Q752	F-9		
D732	D-11					Q560	C-7	Q692	C-9	Q753	F-8		

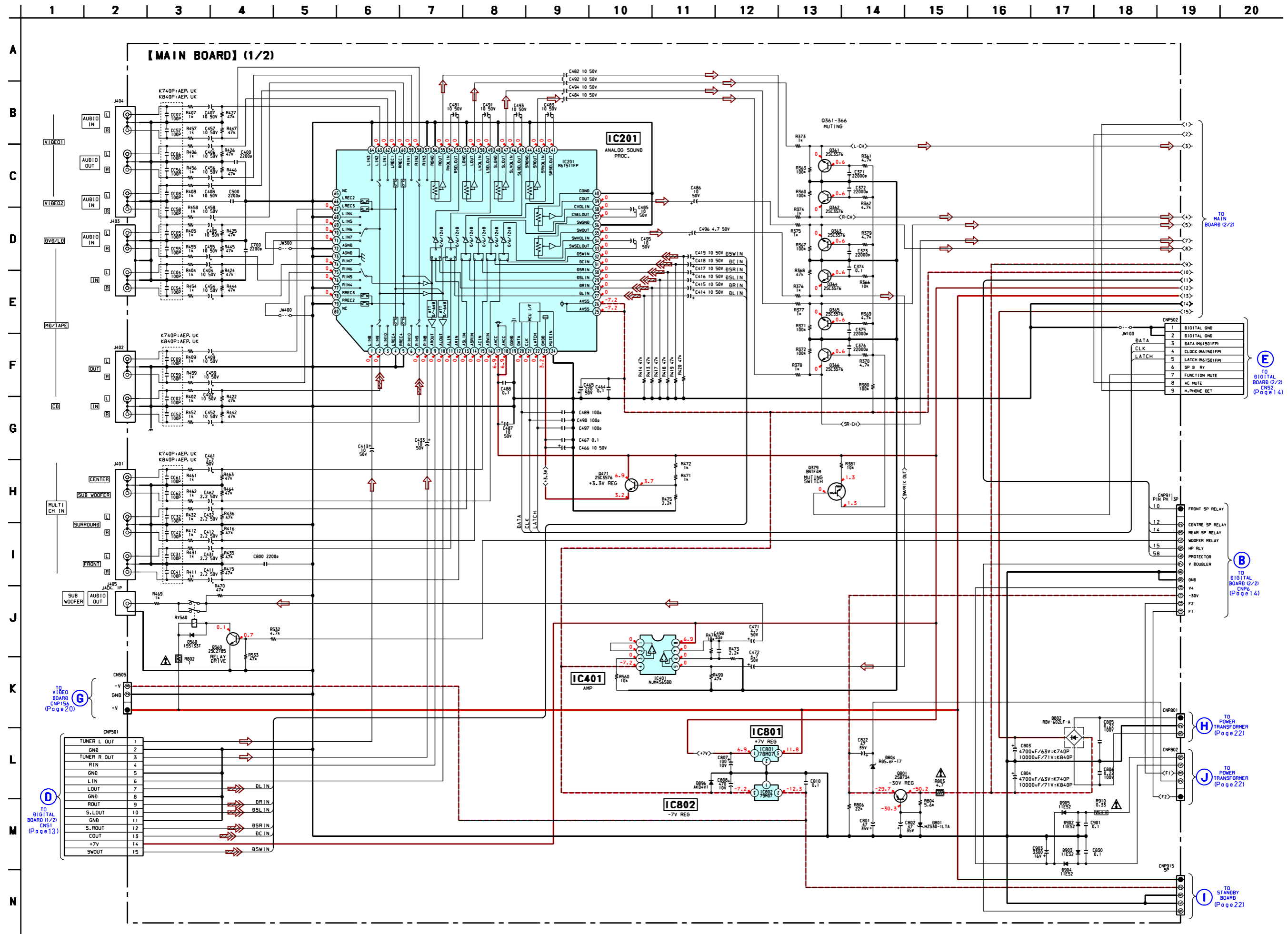
【HEADPHONE BOARD】



STR-K740P/K840P

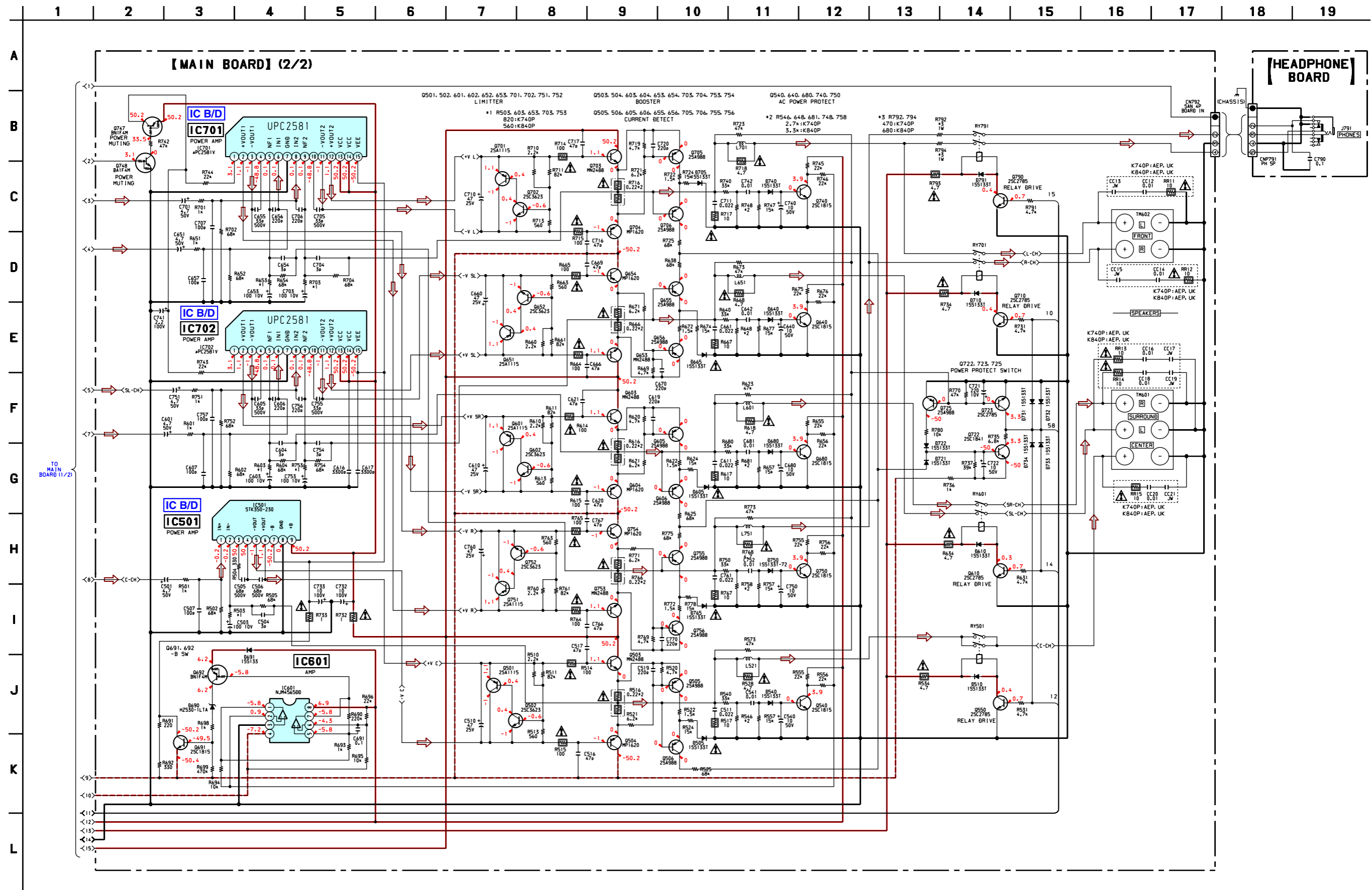
3-7. Schematic Diagram – MAIN Section (1/2) –

• See page 23 for IC Block Diagrams.



3-8. Schematic Diagram – MAIN Section (2/2) –

• See page 23 for IC Block Diagrams.





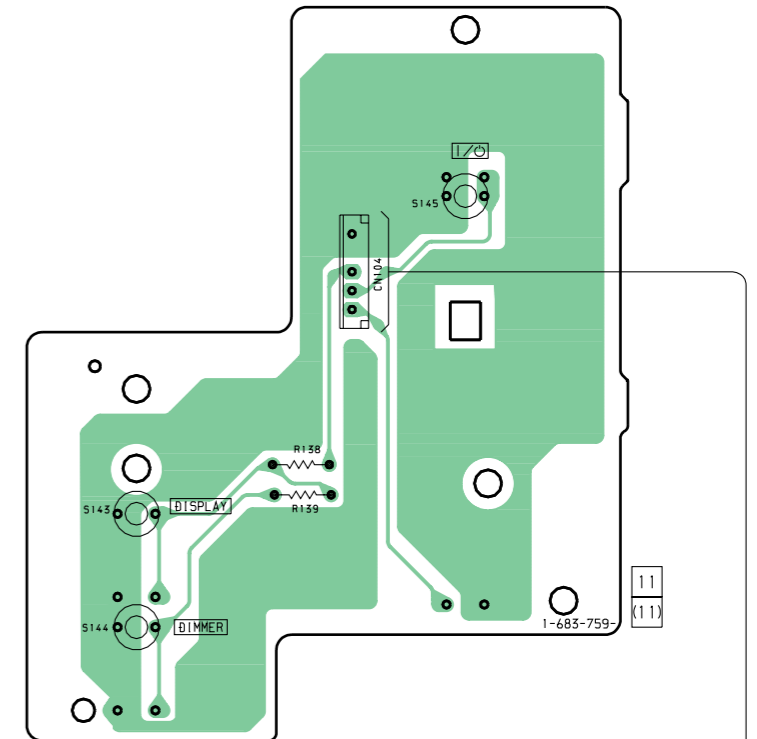
: Uses unleaded solder.

• See page 8 for Circuit Boards Location.

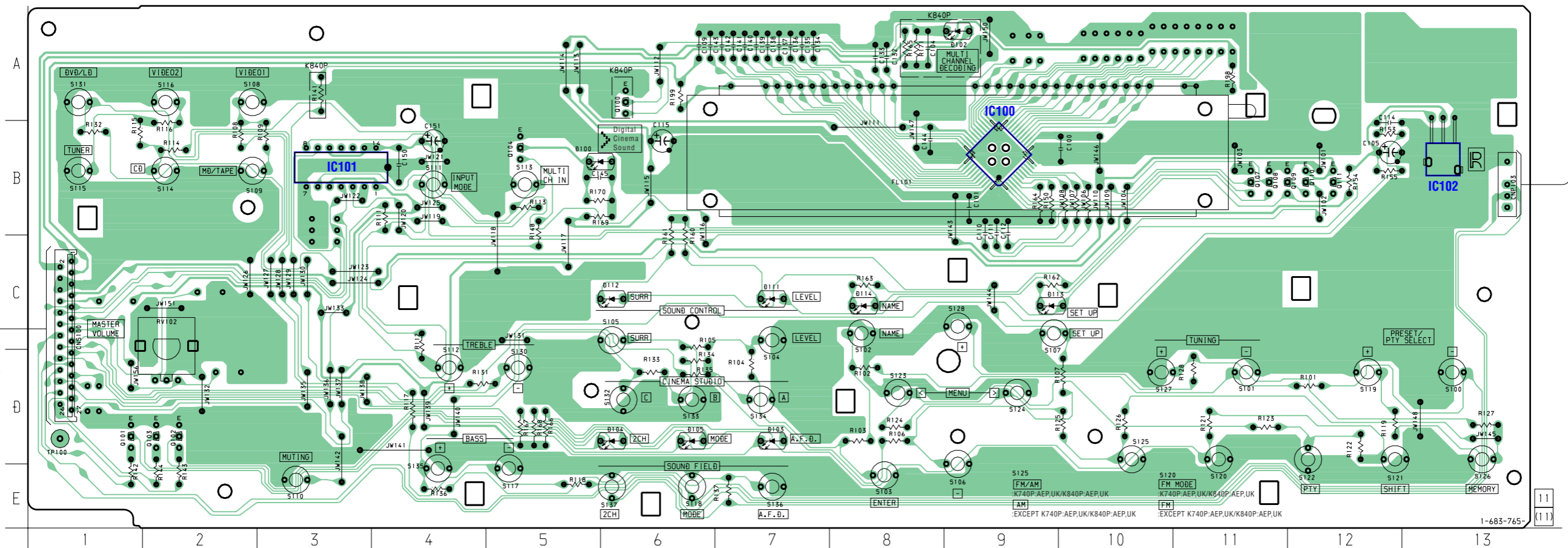
• Semiconductor Location

Ref. No.	Location
D100	B-6
D102	A-9
D103	D-7
D104	D-6
D105	D-6
D111	C-7
D112	C-6
D113	C-9
D114	C-8
IC100	B-9
IC101	B-3
IC102	B-13
Q100	A-6
Q101	D-1
Q102	D-2
Q103	D-2
Q104	B-5
Q107	B-11
Q108	B-11
Q109	B-11
Q110	B-11
Q111	B-12

【POWER SW BOARD】



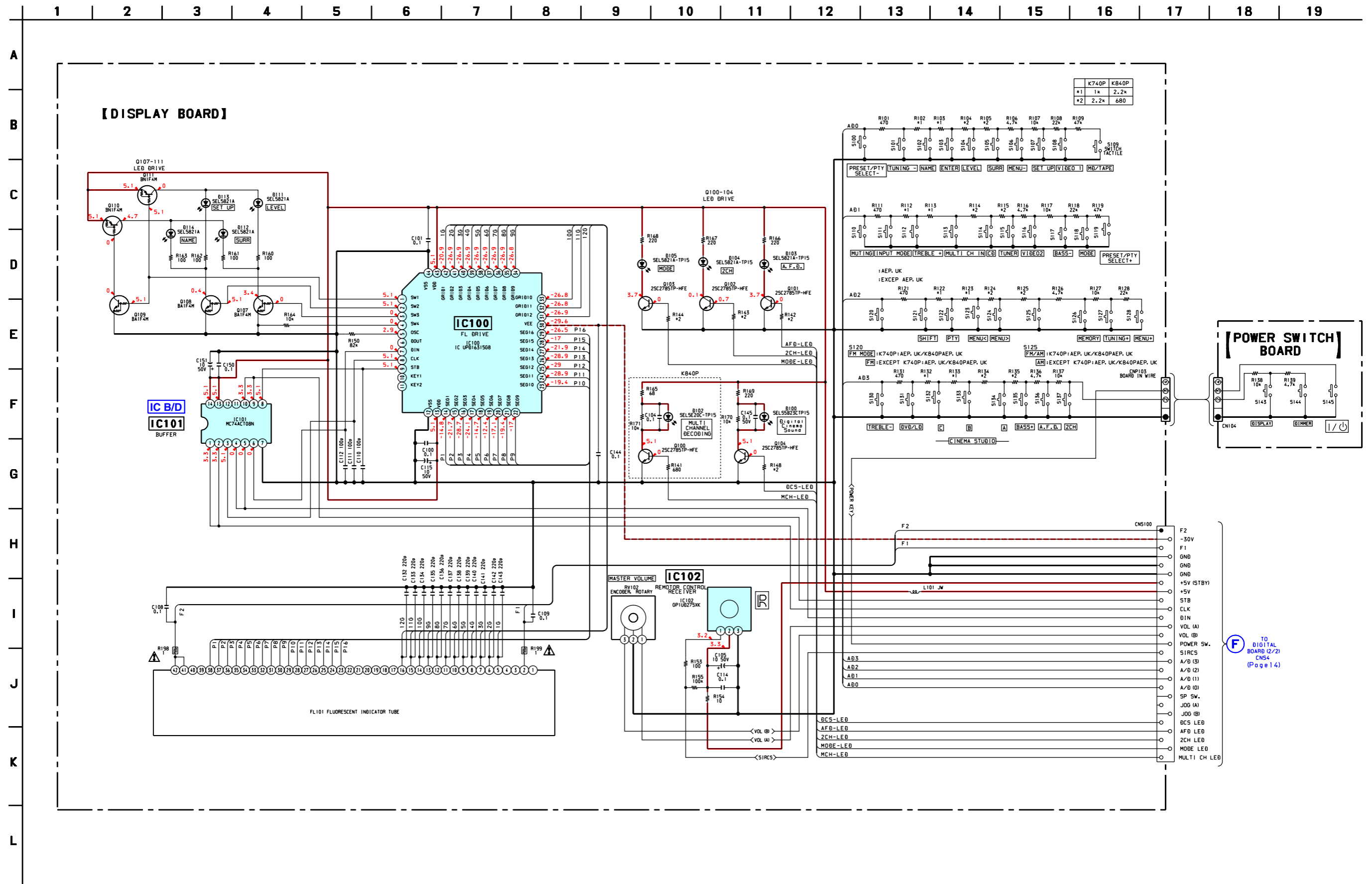
【DISPLAY BOARD】



TO DIGITAL BOARD CNS4 (Page 12)

3-10. Schematic Diagram – DISPLAY Section –


• See page 24 for IC Block Diagrams.

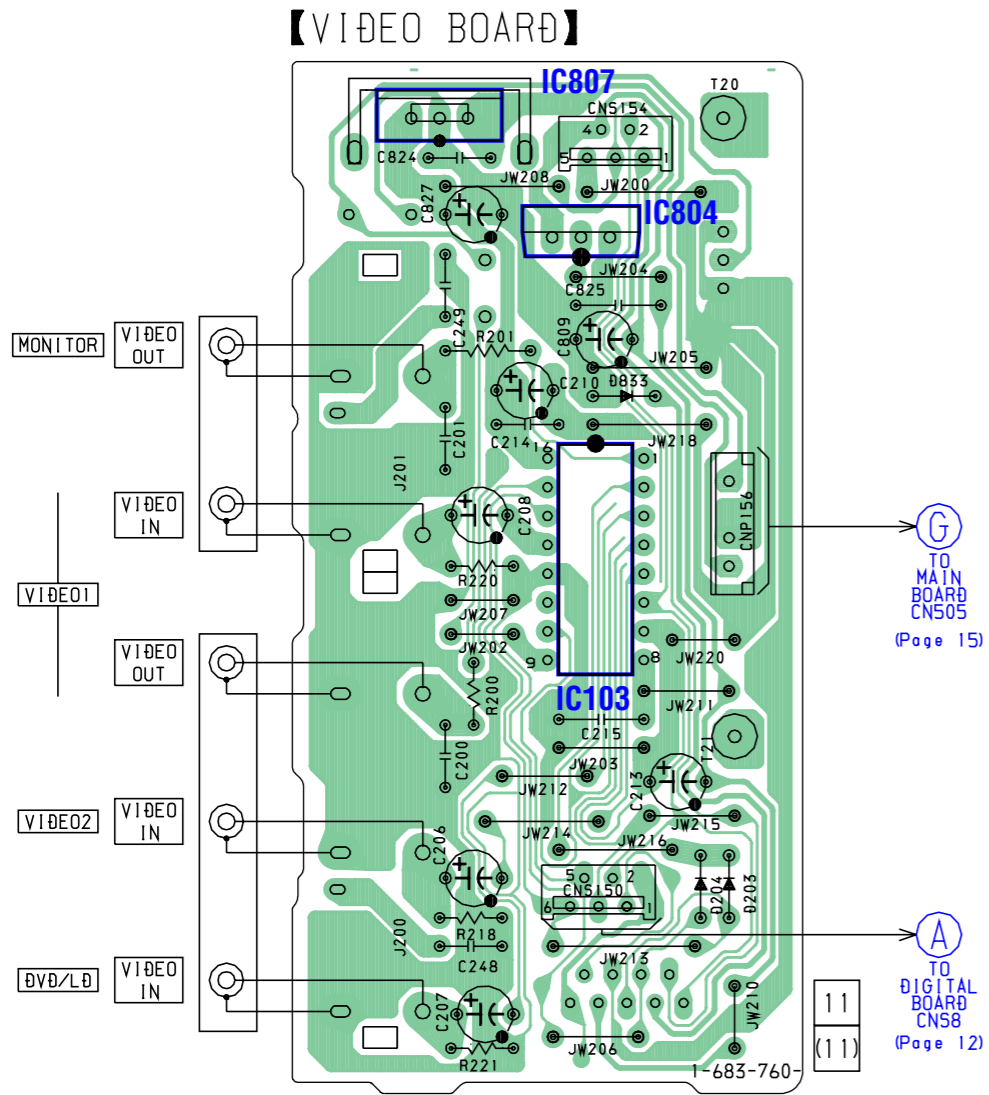


STR-K740P/K840P

3-11. Printed Wiring Board – VIDEO Section –

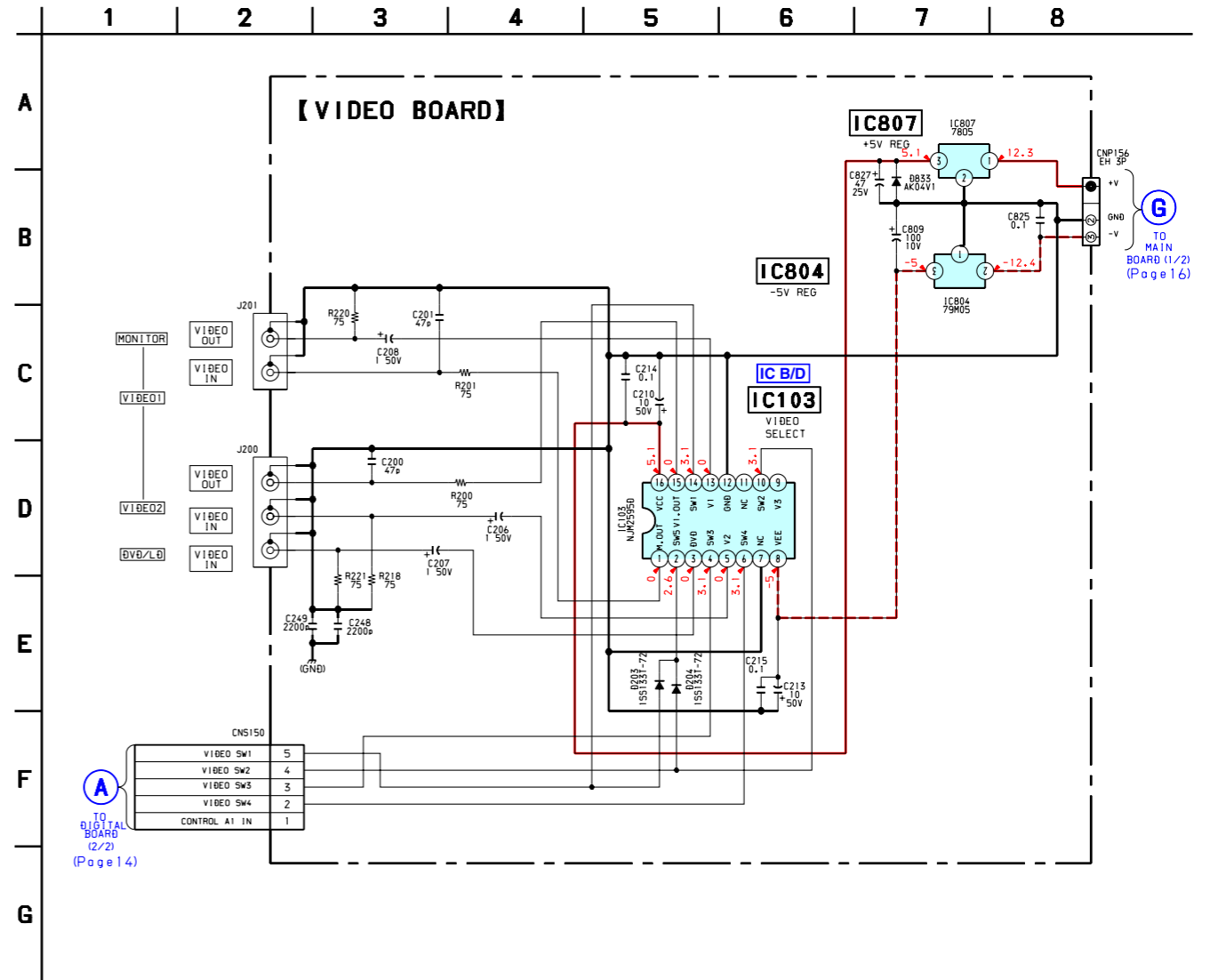
• See page 8 for Circuit Boards Location.

•  : Uses unleaded solder.




3-12. Schematic Diagram – VIDEO Section –

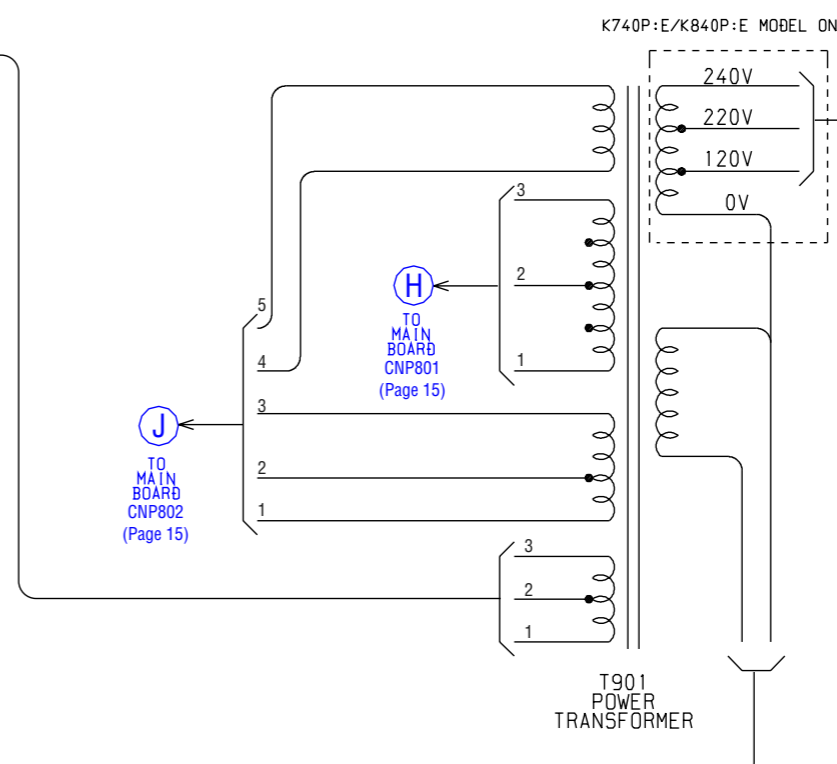
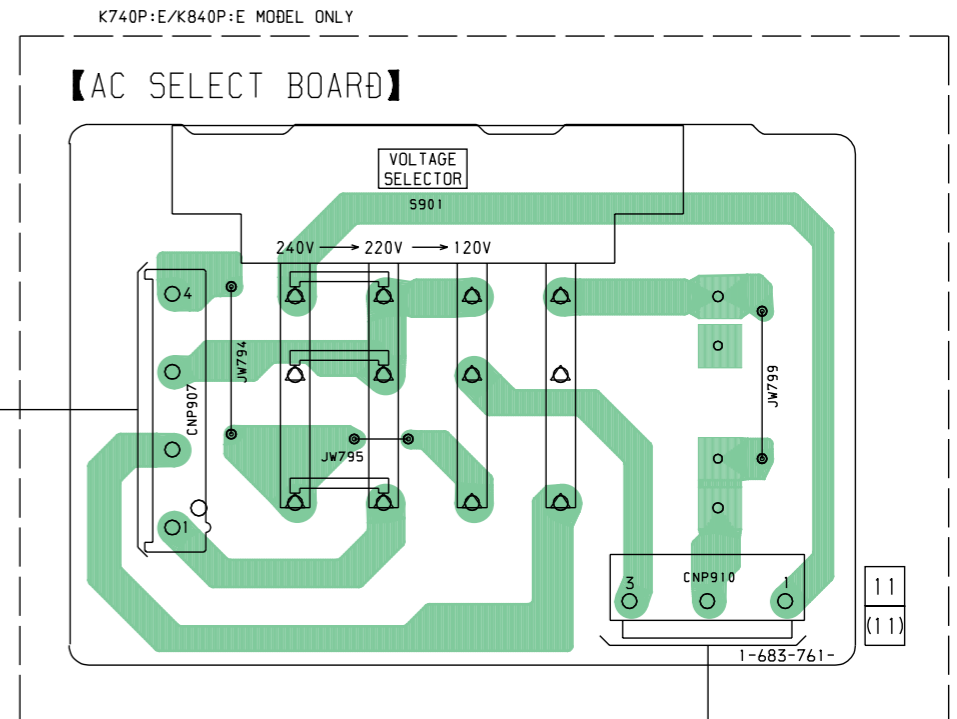
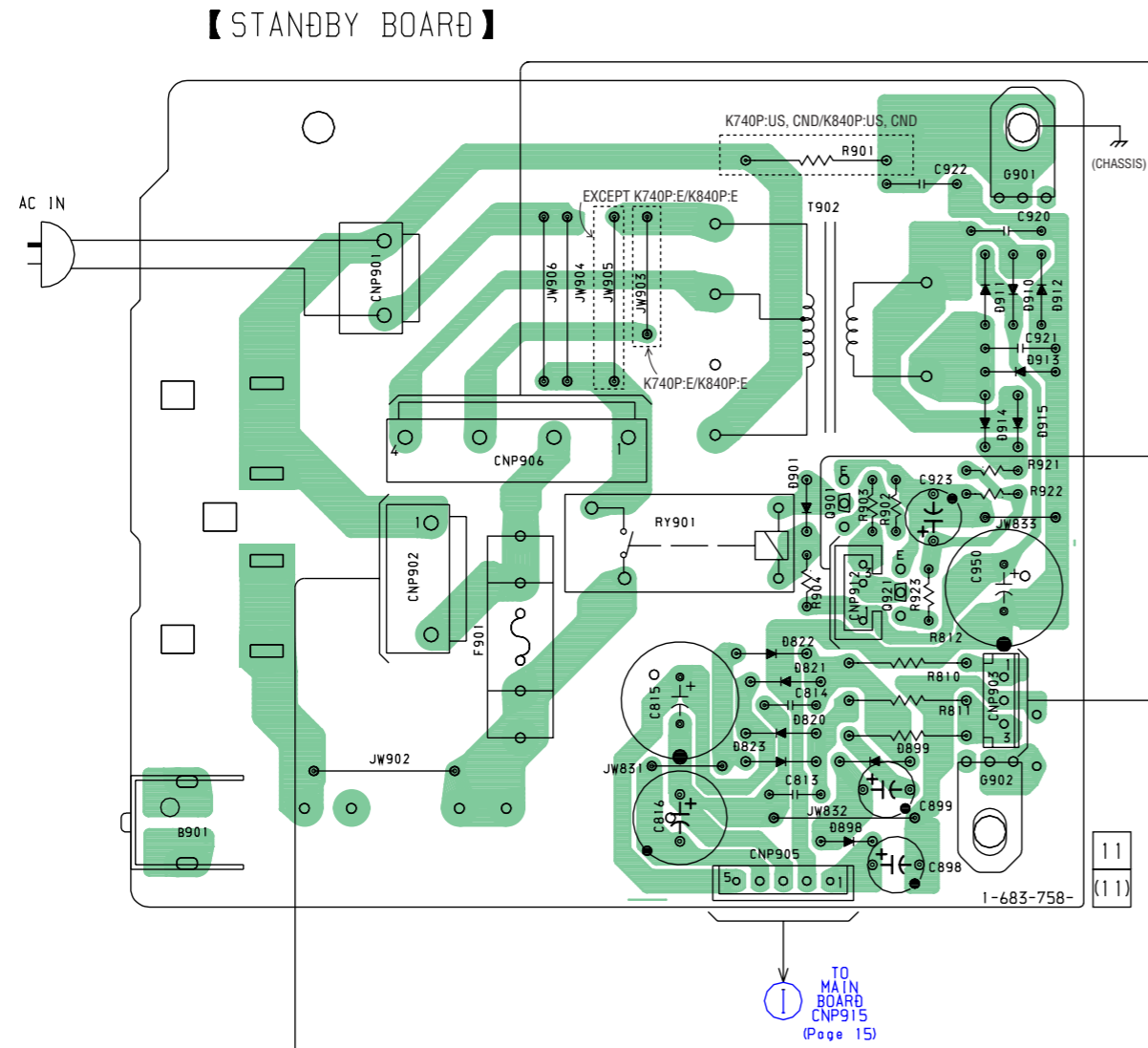
• See page 24 for IC Block Diagrams.

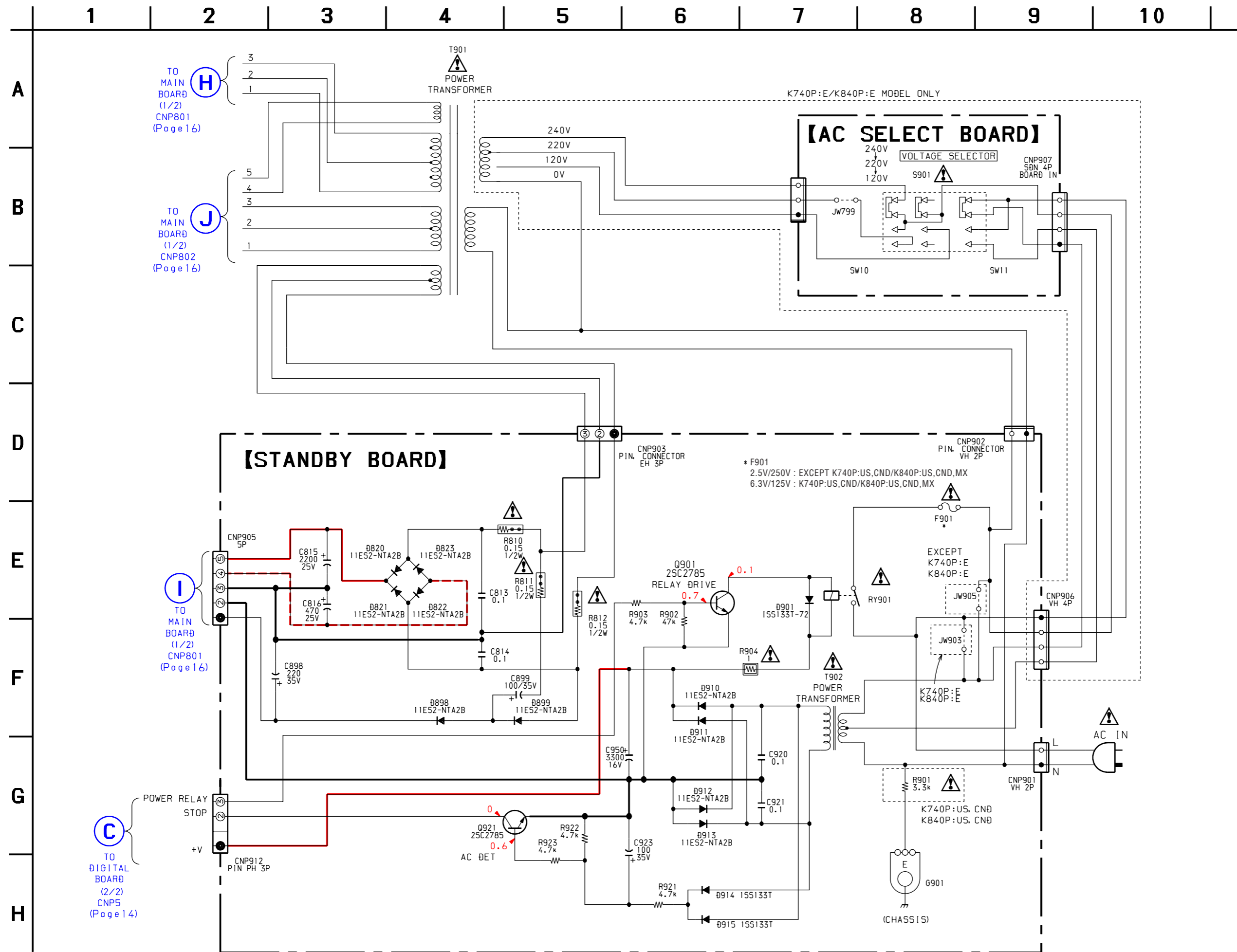


3-13. Printed Wiring Board – POWER Section –

 : Uses unleaded solder.

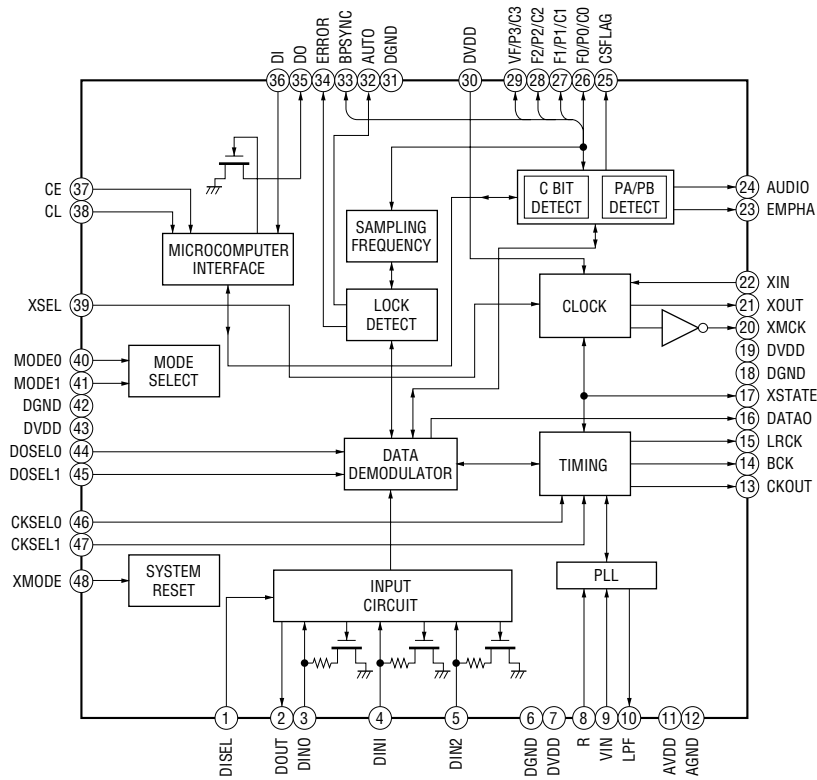
• See page 8 for Circuit Boards Location.





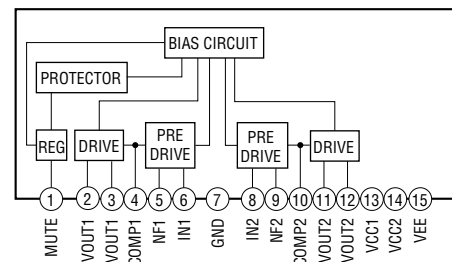
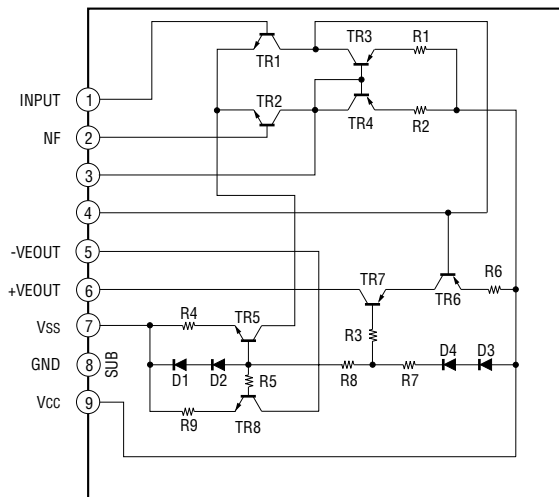
3-15. IC Block Diagrams

IC1101 LC89056W-E (DIGITAL BOARD)



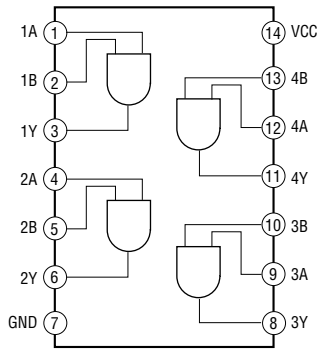
IC501 STK350-230 (MAIN BOARD)

IC701, IC702 μPC2581V-S (MAIN BOARD)

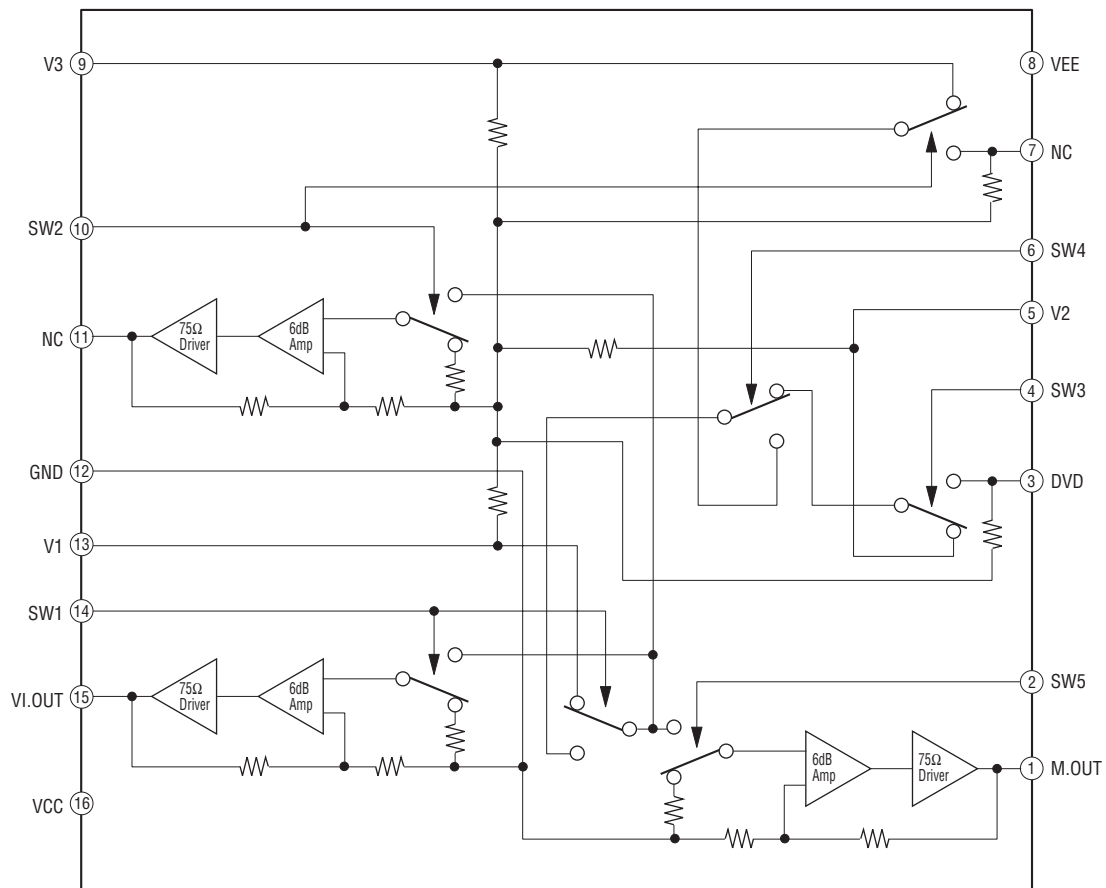


STR-K740P/K840P

IC101 MC74ACT08N (DISPLAY BOARD)



IC103 NJM2595D (VIDEO BOARD)



3-16. IC PIN FUNCTION DESCRIPTIONS**• IC1601 MB90478PF-G-120-BND (SYSTEM CONTROL)**

Pin No.	Pin Name	I/O	Description
1	DATAO	I	Audio data signal input from DIR
2	GP9	I	GP9 signal input from DSP
3	BST	O	BST signal output to DSP
4	HCS	O	HCS signal output to DSP
5	HACN	I	HACN signal input from DSP
6	XRST	O	Reset signal output to DSP
7	PM	O	PM signal output to DSP
8	PD	O	Power down signal output to AUDIO CODEC
9	SMUTE	O	Muting signal output to AUDIO CODEC
10	CDT1	O	Control data signal output to AUDIO CODEC
11	VSS	—	Ground
12	SCL	O	Clock signal output to AUDIO CODEC
13	CS	O	Chip select signal output to AUDIO CODEC
14	DATA	O	Control data signal output to the sound processor
15	CLK	O	Clock signal output to the sound processor
16	LATCH	O	Latch signal output to the sound processor
17	SPK B RELAY	O	Not used
18	HDOUT	I	HDOUT signal input from DSP
19	HDIN	O	HDIN signal output to DSP
20	HCLK	O	Clock signal output to DSP
21	F.MUTE	O	Muting signal output
22	AC MUTE	O	Muting signal output to the power amplifier
23	VCC5	—	Power supply
24	ANA/DIG	I	Muting and error signal input
25	HP DETECT	I	Headphone switch detect signal input
26	DCS LED	O	DCS LED control signal output
27	FLASH2	O	Terminal for FLASH programming
28	SP SWITCH/FLASH1	I/O	Speaker ON/OFF switch signal input / Terminal for FLASH programming
29	BLUE LED	O	MULTI CH LED control signal output
30	MODE	O	MODE LED control signal output
31	2CH	O	2CH LED control signal output
32	AFD	O	AFD LED control signal output
33	SCL	O	Serial clock output
34	SDA	I/O	Serial data input or output
35	AVCC	—	Analog power supply
36	AVRH	I	Analog reference voltage input
37	AVSS	—	Analog ground
38	A/D0	I	Function key push signal input
39	A/D1	I	Function key push signal input
40	A/D2	I	Function key push signal input
41	A/D3	I	Function key push signal input
42	VSS	—	Ground
43	RDS SIGNAL	I	RDS signal detect input
44	MODEL	I	Version setting input (MODEL)
45	VERSION	I	Version setting input (DESTINATION)
46	NC	O	Not used
47	NC	I	Not used
48	STOP	I	AC off detect signal input
49	MD0	I	Operation mode setting input
50	MD1	I	Operation mode setting input

STR-K740P/K840P

Pin No.	Pin Name	I/O	Description
51	MD2	I	Operation mode setting input
52	RDS CLOCK	O	RDS clock signal output (Not used)
53	RDS DATA	O	RDS data signal output (Not used)
54	SIRCS	I	Data signal input from the remote control sensor
55	FUSE DETECT	I	Fuse detect signal input
56	POWER KEY	I	Power switch key detect signal input
57	JOG (B)	I	Jog dial signal input from the rotary encoder
58	JOG (A)	I	Jog dial signal input from the rotary encoder
59	VOL (B)	I	Jog dial signal input from the rotary encoder
60	VOL (A)	I	Jog dial signal input from the rotary encoder
61	DIN	O	Data signal output to the FL tube driver
62	CLK	O	Clock signal output to the FL tube driver
63	FL STB	O	Strobe signal output to the FL tube driver
64	CONTROL A1 OUT	O	Control A1 signal output
65	CONTROL A1 IN	I	Control A1 signal input
66	POWER RELAY	O	Power relay control signal output
67	PROTECTOR	I	Protector status detect signal input
68	HEADPHONE RELAY	O	Headphone relay control signal output
69	WOOFER RELAY	O	Woofers relay control signal output
70	REAR RELAY	O	Rear speaker relay control signal output
71	CENTRE RELAY	O	Centre speaker relay control signal output
72	PREOUT/FRONT RELAY	O	Front speaker relay control signal output
73	TUNED	O	Tuning a frequency signal input from the tuner
74	STEREO	O	Stereo tuning signal input from the tuner
75	MUTING	O	Muting signal output to the tuner
76	DO	I	Frequency data signal input from the tuner
77	RSTX	I	System reset
78	SLATCH	O	Latch signal output to the tuner
79	X1A	—	Not used
80	X0A	—	Not used
81	VSS	—	Ground
82	X0	—	Connection for a crystal resonator
83	X1	—	Connection for a crystal resonator
84	VCC3	—	Power supply
85	NC	I	Not used
86	NC	O	Not used
87	SW4	O	Video select control signal output
88	SW3	O	Video select control signal output
89	SW2	O	Video select control signal output
90	SW1	O	Video muting control signal output
91	SECTION1	O	Optical in selector control signal output
92	SECTION2	O	Optical in selector control signal output
93	XMODE	O	Reset signal output to DIR
94	CKSEL 1	O	CKSEL control signal to DIR
95	CLK	O	Clock signal output to DIR
96	CE	O	Chip enable signal output to DIR
97	DI	O	Data signal output to DIR
98	DO	I	Data signal input from DIR
99	ERROR	I	PLL error muting signal input from DIR
100	XSTATE	I	XSTATE data signal input from DIR

SECTION 4 EXPLODED VIEWS

NOTE:

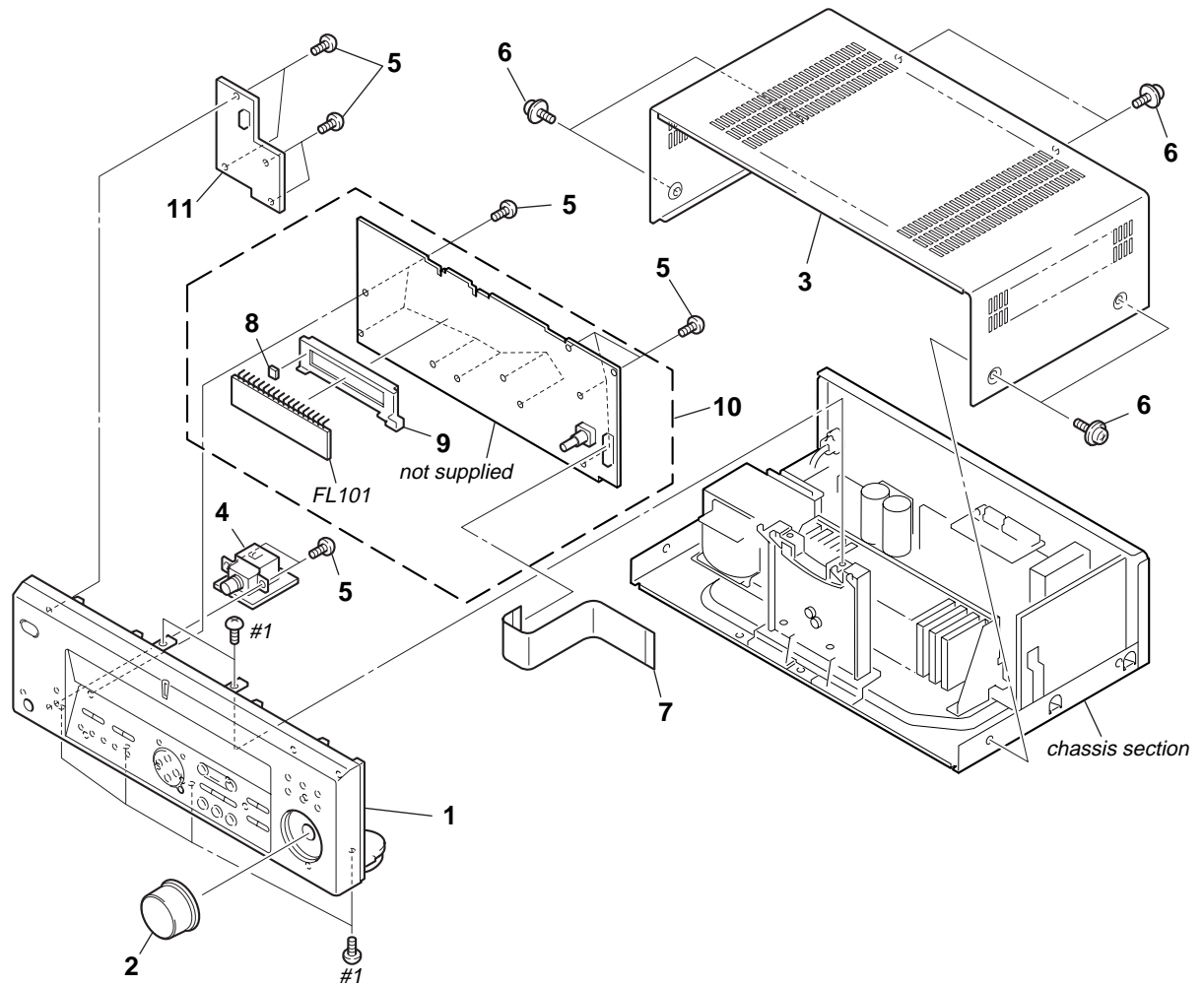
- -XX, -X mean standardized parts, so they may have some differences from the original one.
 - Items marked “*” are not stocked since they are seldom required for routine service. Some delay should be anticipated when ordering these items.
 - Color Indication of Appearance Parts Example:
KNOB, BALANCE (WHITE) . . . (RED)

↑	↑
Parts of Color	Cabinet's Color
- The mechanical parts with no reference number in the exploded views are not supplied.
 - Accessories and packing materials are given in the last of this parts list.
 - Abbreviation
 CND : Canadian model
 MY : Malaysia model
 SP : Singapore model
 MX : Mexican model
 AR : Argentine model

The components identified by mark Δ or dotted line with mark Δ are critical for safety. Replace only with part number specified.

Les composants identifiés par une marque Δ sont critiques pour la sécurité. Ne les remplacer que par une pièce portant le numéro spécifié.

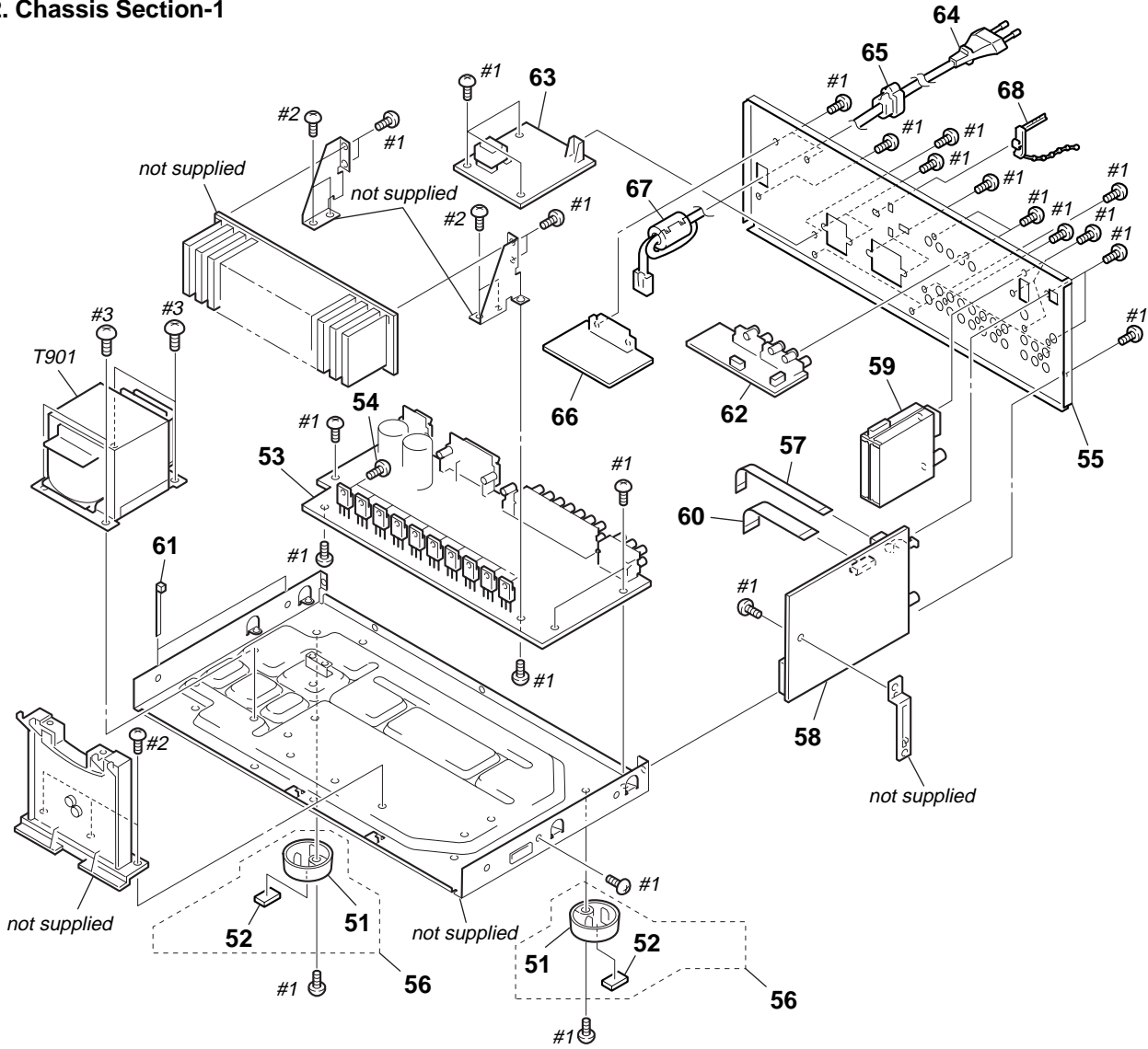
4-1. Front Panel Section



Ref. No.	Part No.	Description	Remarks	Ref. No.	Part No.	Description	Remarks
1	X-4954-429-1	FRONT PANEL ASSY (SILVER) (K740P:US)		3	4-232-118-21	CASE (SILVER)	
1	X-4954-430-1	FRONT PANEL ASSY (SILVER) (K740P:CND)		4	1-683-763-11	HEADPHONE BOARD	
1	X-4954-431-1	FRONT PANEL ASSY (SILVER) (K740P:E,MY,SP)		5	4-951-620-01	SCREW (2.6X8), +BVTP	
1	X-4954-432-1	FRONT PANEL ASSY (SILVER) (K740P:AEP,UK)		6	4-210-291-01	SCREW (CASE 3 TP2) (BLACK)	
1	X-4954-433-1	FRONT PANEL ASSY (SILVER) (K840P:US)		6	4-210-291-11	SCREW (CASE 3 TP2) (SILVER)	
1	X-4954-434-1	FRONT PANEL ASSY (SILVER) (K840P:CND)		7	1-773-250-11	WIRE (FLAT TYPE) (27 CORE)	
1	X-4954-435-1	FRONT PANEL ASSY (SILVER) (K840P:E,MY,SP,AR,MX)		* 8	4-921-941-01	CUSHION (FL)	
1	X-4954-436-1	FRONT PANEL ASSY (SILVER) (K840P:AEP,UK)		9	3-386-245-13	HOLDER (FL)	
1	X-4954-605-1	FRONT PANEL ASSY (BLACK) (K740P:US)		10	A-4727-966-A	DISPLAY BOARD, COMPLETE (K840P)	
1	X-4954-606-1	FRONT PANEL ASSY (BLACK) (K840P:US)		10	A-4728-362-A	DISPLAY BOARD, COMPLETE (K740P)	
2	4-232-113-01	KNOB (VOL) (BLACK)		11	1-683-759-11	POWER SW BOARD	
2	4-232-113-12	KNOB (VOL) (SILVER)		FL101	1-518-718-11	INDICATOR TUBE, FLUORESCENT	
3	4-232-118-01	CASE (BLACK)		#1	7-685-646-79	SCREW +BVTP 3X8 TYPE2 IT-3	

STR-K740P/K840P

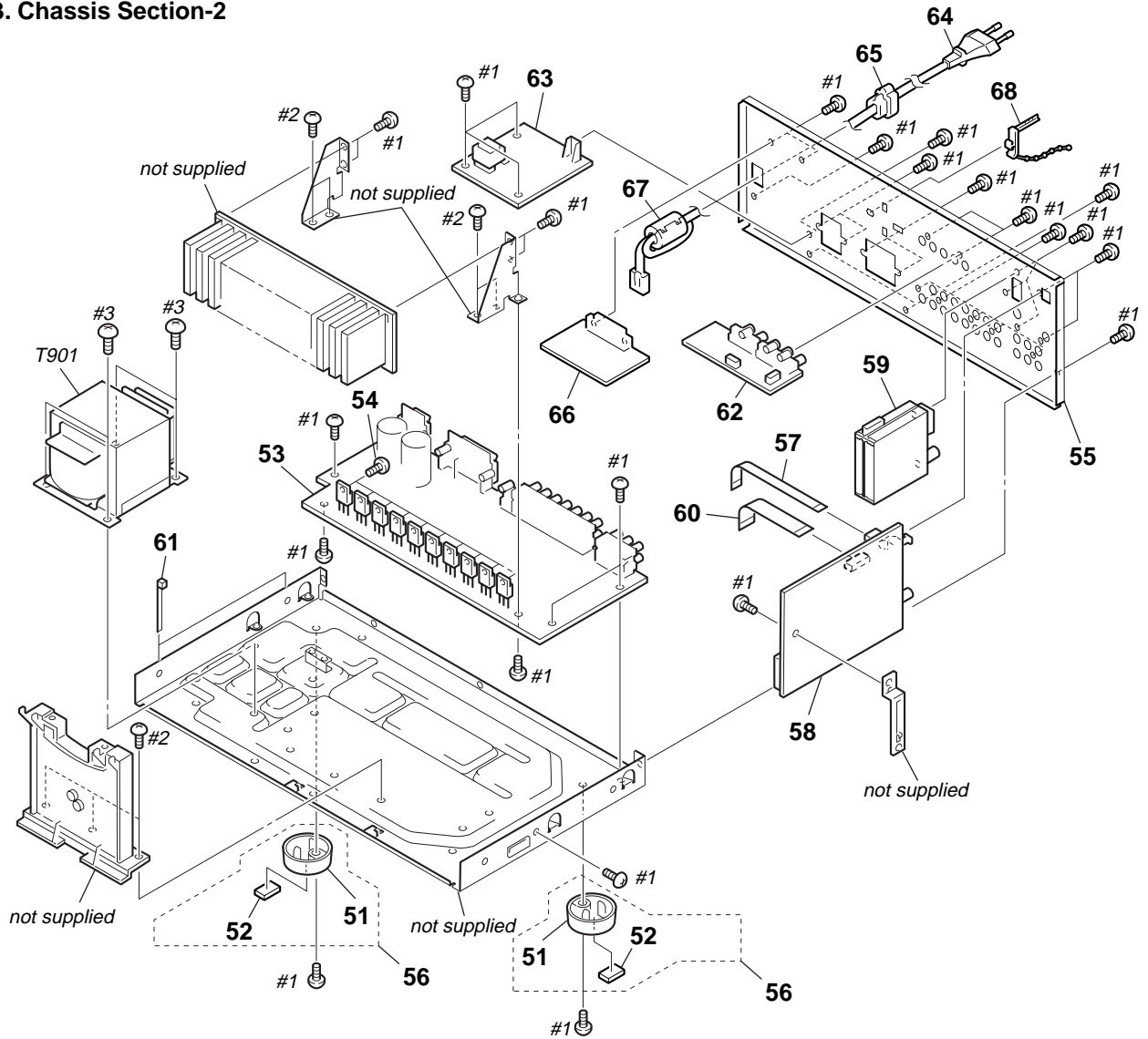
4-2. Chassis Section-1



Ref. No.	Part No.	Description	Remarks	Ref. No.	Part No.	Description	Remarks
51	4-232-237-01	FOOT (DIA. 30)		55	4-238-193-81	BACK PANEL (HT4) (K840P:AR)	
52	4-977-358-01	CUSHION		55	4-238-193-91	BACK PANEL (HT4) (K840P:MX)	
53	A-4727-963-A	MAIN BOARD, COMPLETE (K840P:US,CND)		56	X-4953-448-1	FOOT ASSY	
53	A-4727-967-A	MAIN BOARD, COMPLETE (K840P:E,MY,SP,AR,MX)		57	1-575-662-31	WIRE (FLAT TYPE) (5 CORE) (K840P:AR,MX)	
53	A-4727-978-A	MAIN BOARD, COMPLETE (K840P:AEP,UK)		57	1-769-844-11	WIRE (FLAT TYPE) (5 CORE) (EXCEPT K840P:AR,MX)	
53	A-4728-359-A	MAIN BOARD, COMPLETE (K740P:US,CND)		58	A-4727-964-A	DIGITAL BOARD, COMPLETE (K840P:US,CND)	
53	A-4728-367-A	MAIN BOARD, COMPLETE (K740P:AEP,UK)		58	A-4727-970-A	DIGITAL BOARD, COMPLETE (K840P:MY,SP,AR)	
53	A-4728-583-A	MAIN BOARD, COMPLETE (K740P:E,MY,SP)		58	A-4727-974-A	DIGITAL BOARD, COMPLETE (K840P:E,MX)	
54	3-905-609-01	SCREW (TRANSISTOR)		58	A-4727-980-A	DIGITAL BOARD, COMPLETE (K840P:AEP,UK)	
55	4-238-189-21	BACK PANEL (DE4) (K740P:US)		58	A-4728-360-A	DIGITAL BOARD, COMPLETE (K740P:US,CND)	
55	4-238-189-31	BACK PANEL (DE4) (K740P:CND)		58	A-4728-363-A	DIGITAL BOARD, COMPLETE (K740P:MY,SP)	
55	4-238-189-41	BACK PANEL (DE4) (K740P:MY,SP)		58	A-4728-365-A	DIGITAL BOARD, COMPLETE (K740P:E)	
55	4-238-189-51	BACK PANEL (DE4) (K740P:E)		58	A-4728-368-A	DIGITAL BOARD, COMPLETE (K740P:AEP,UK)	
55	4-238-189-61	BACK PANEL (DE4) (K740P:AEP)		59	1-693-577-21	TUNER PACK (K740P:US,CND,E/K840P:US,CND,E,MX)	
55	4-238-189-71	BACK PANEL (DE4) (K740P:UK)		59	1-693-578-21	TUNER PACK (K740P:AEP,UK/K840P:AEP,UK)	
55	4-238-193-01	BACK PANEL (HT4) (K840P:US)		59	1-693-580-21	TUNER PACK (K740P:MY,SP/K840P:MY,SP,AR)	
55	4-238-193-11	BACK PANEL (HT4) (K840P:CND)		60	1-769-940-11	WIRE (FLAT TYPE) (11 CORE) (EXCEPT K740P:AEP,UK/K840P:AEP,UK)	
55	4-238-193-21	BACK PANEL (HT4) (K840P:MY,SP)		60	1-773-004-11	WIRE (FLAT TYPE) (15 CORE) (K740P:AEP,UK/K840P:AEP,UK)	
55	4-238-193-31	BACK PANEL (HT4) (K840P:E)					
55	4-238-193-41	BACK PANEL (HT4) (K840P:AEP)					
55	4-238-193-51	BACK PANEL (HT4) (K840P:UK)					

- Continued on page 29 -

4-3. Chassis Section-2



Ref. No.	Part No.	Description	Remarks	Ref. No.	Part No.	Description	Remarks
- Continued from page28 -							
61	3-701-748-00	CLAMP		* 65	3-703-244-00	BUSHING (2104), CORD	
62	A-4727-815-A	VIDEO BOARD, COMPLETE (K740P:US,CND/K840P:US,CND,MX)		66	1-683-761-11	AC SELECT BOARD (K740P:E/K840P:E)	
62	A-4727-968-A	VIDEO BOARD, COMPLETE (K740P:AEP,UK,E,MY,SP/K840P:AEP,UK,E,MY,SP,AR)		67	1-500-386-11	FILTER, CLAMP (FERRITE CORE) (K740P/K840P:US,CND,AEP,UK,E,MY,SP)	
63	A-4727-816-A	STANDBY BOARD, COMPLETE (K740P:US,CND,/K840P:US,CND)		68	4-956-370-12	BAND, PLUG FIXED (K740P:UK/K840P:UK)	
63	A-4727-969-A	STANDBY BOARD, COMPLETE (K840P:MY,SP,AR)		△ T901	1-437-629-11	POWER TRANSFORMER (K840P:AR)	
63	A-4727-972-A	STANDBY BOARD, COMPLETE (K740P:E/K840P:E)		△ T901	1-435-901-11	POWER, TRANSFORMER (K840P:E)	
63	A-4727-979-A	STANDBY BOARD, COMPLETE (K740P:AEP,UK/K840P:AEP,UK)		△ T901	1-435-903-11	TRANSFORMER, POWER (K840P:AEP,UK,MY,SP)	
63	A-4676-982-A	STANDBY BOARD, COMPLETE (K840P:MX)		△ T901	1-435-905-11	TRANSFORMER, POWER (K840P:CND)	
△ 64	1-777-071-21	CORD, POWER (K740P:AEP,UK,E,MY,SP/K840P:AEP,UK,E,MY,SP)		△ T901	1-435-906-11	TRANSFORMER, POWER (K840P:US,MX)	
△ 64	1-783-820-11	CORD, POWER (K740P:US,CND/K840P:US,CND,MX)		△ T901	1-437-639-11	POWER TRANSFORMER (K740P:US)	
△ 64	1-783-941-12	CORD, POWER (K840P:AR)		△ T901	1-437-641-11	POWER TRANSFORMER (K740P:CND)	
				△ T901	1-437-642-11	POWER TRANSFORMER (K740P:AEP,UK)	
				#1	7-685-646-79	SCREW +BVTP 3X8 TYPE2 IT-3	
				#2	7-685-645-79	SCREW +BVTP 3X6 TYPE2 N-S	
				#3	7-685-880-09	SCREW +BVTT 4X6 (S)	

The components identified by mark △ or dotted line with mark △ are critical for safety. Replace only with part number specified.	Les composants identifiés par une marque △ sont critiques pour la sécurité. Ne les remplacer que par une pièce portant le numéro spécifié.
--	--

SECTION 5
ELECTRICAL PARTS LIST

AC SELECT

DIGITAL

NOTE:

- Due to standardization, replacements in the parts list may be different from the parts specified in the diagrams or the components used on the set.
- -XX, -X mean standardized parts, so they may have some difference from the original one.
- Items marked “**” are not stocked since they are seldom required for routine service. Some delay should be anticipated when ordering these items.
- RESISTORS
All resistors are in ohms.
METAL: metal-film resistor
METAL OXIDE: Metal Oxide-film resistor
F: nonflammable

- COILS
uH: μ H
- CAPACITORS:
uF: μ F
- SEMICONDUCTORS
In each case, u: μ , for example:
uA...: μ A... , uPA... , μ PA... ,
uPB... , μ PB... , uPC... , μ PC... ,
uPD... , μ PD...
• Abbreviation
CND : Canadian model
MY : Malaysia model
SP : Singapore model
MX : Mexican model
AR : Argentine model

When indicating parts by reference number, please include the board name.

The components identified by mark Δ or dotted line with mark Δ are critical for safety. Replace only with part number specified.

Les composants identifiés par une marque Δ sont critiques pour la sécurité. Ne les remplacer que par une pièce portant le numéro spécifié.

Ref. No.	Part No.	Description	Remarks	Ref. No.	Part No.	Description	Remarks
	1-683-761-11	AC SELECT BOARD (K740P:E/K840P:E) ***** < CONNECTOR >		C1116	1-126-935-11	ELECT 470uF	20.00% 16V
				C1117	1-164-156-11	CERAMIC CHIP 0.1uF	25V
				C1118	1-115-416-11	CERAMIC CHIP 0.001uF	5.00% 25V
				C1119	1-126-965-91	ELECT 22uF	20.00% 50V
				C1121	1-164-156-11	CERAMIC CHIP 0.1uF	25V
* CNP910	1-564-687-11	PIN, CONNECTOR 3P (K740P:E/K840P:E) < SWITCH >		C1126	1-126-964-11	ELECT 10uF	20.00% 50V
				C1127	1-164-156-11	CERAMIC CHIP 0.1uF	25V
				C1129	1-115-416-11	CERAMIC CHIP 0.001uF	5.00% 25V
Δ S901	1-571-437-21	SWITCH, POWER VOLTAGE CHANGE (VOLTAGE SELECTOR) (K740P:E/K840P:E) *****		C1130	1-164-156-11	CERAMIC CHIP 0.1uF	25V
				C1131	1-162-927-11	CERAMIC CHIP 100PF	5% 50V
	A-4728-360-A	DIGITAL BOARD, COMPLETE (K740P:US,CND) *****		C1201	1-164-156-11	CERAMIC CHIP 0.1uF	25V
	A-4727-964-A	DIGITAL BOARD, COMPLETE (K840P:US,CND) *****		C1202	1-164-156-11	CERAMIC CHIP 0.1uF	25V
	A-4727-980-A	DIGITAL BOARD, COMPLETE (K840P:AEP,UK) *****		C1203	1-164-156-11	CERAMIC CHIP 0.1uF	25V
	A-4727-974-A	DIGITAL BOARD, COMPLETE (K840P:E,MX) *****		C1204	1-164-156-11	CERAMIC CHIP 0.1uF	25V
	A-4727-970-A	DIGITAL BOARD, COMPLETE (K840P:MY,SP,AR) *****		C1205	1-164-156-11	CERAMIC CHIP 0.1uF	25V
	A-4728-363-A	DIGITAL BOARD, COMPLETE (K740P:MY,SP) *****		C1206	1-164-156-11	CERAMIC CHIP 0.1uF	25V
	A-4728-365-A	DIGITAL BOARD, COMPLETE (K740P:E) *****		C1207	1-164-156-11	CERAMIC CHIP 0.1uF	25V
	A-4728-368-A	DIGITAL BOARD, COMPLETE (K740P:AEP,UK) *****		C1208	1-164-156-11	CERAMIC CHIP 0.1uF	25V
				C1209	1-164-156-11	CERAMIC CHIP 0.1uF	25V
				C1210	1-164-156-11	CERAMIC CHIP 0.1uF	25V
	7-685-646-79	SCREW +BVTP 3X8 TYPE2 IT-3 < CAPACITOR >		C1211	1-126-964-11	ELECT 10uF	20.00% 50V
				C1212	1-126-964-11	ELECT 10uF	20.00% 50V
C1101	1-164-156-11	CERAMIC CHIP 0.1uF	25V	C1213	1-164-156-11	CERAMIC CHIP 0.1uF	25V
C1102	1-126-947-11	ELECT 47uF	20.00% 16V	C1214	1-164-156-11	CERAMIC CHIP 0.1uF	25V
C1103	1-164-156-11	CERAMIC CHIP 0.1uF	25V	C1216	1-162-927-11	CERAMIC CHIP 100PF	5% 50V
C1104	1-162-974-11	CERAMIC CHIP 0.01uF	50V	C1218	1-162-927-11	CERAMIC CHIP 100PF	5% 50V
C1105	1-126-947-11	ELECT 47uF	20.00% 16V	C1219	1-162-927-11	CERAMIC CHIP 100PF	5% 50V
				C1220	1-162-927-11	CERAMIC CHIP 100PF	5% 50V
C1106	1-164-156-11	CERAMIC CHIP 0.1uF	25V	C1227	1-164-156-11	CERAMIC CHIP 0.1uF	25V
C1107	1-162-974-11	CERAMIC CHIP 0.01uF	50V	C1229	1-164-156-11	CERAMIC CHIP 0.1uF	25V
C1108	1-164-156-11	CERAMIC CHIP 0.1uF	25V	C1309	1-164-156-11	CERAMIC CHIP 0.1uF	25V
C1109	1-162-918-11	CERAMIC CHIP 18PF	5.00% 50V	C1310	1-164-156-11	CERAMIC CHIP 0.1uF	25V
C1110	1-162-918-11	CERAMIC CHIP 18PF	5.00% 50V	C1311	1-164-156-11	CERAMIC CHIP 0.1uF	25V
				C1312	1-164-156-11	CERAMIC CHIP 0.1uF	25V
C1111	1-164-156-11	CERAMIC CHIP 0.1uF	25V	C1501	1-162-965-11	CERAMIC CHIP 0.0015uF	10% 50V
C1112	1-162-974-11	CERAMIC CHIP 0.01uF	50V	C1502	1-126-965-91	ELECT 22uF	20.00% 50V
C1113	1-164-156-11	CERAMIC CHIP 0.1uF	25V	C1503	1-164-156-11	CERAMIC CHIP 0.1uF	25V
C1114	1-162-905-11	CERAMIC CHIP 1PF	25.00% 50V	C1504	1-126-964-11	ELECT 10uF	20.00% 50V
C1115	1-162-923-11	CERAMIC CHIP 47PF	5% 50V	C1505	1-164-156-11	CERAMIC CHIP 0.1uF	25V
				C1506	1-126-935-11	ELECT 470uF	20.00% 16V
				C1507	1-126-964-11	ELECT 10uF	20.00% 50V
				C1508	1-164-156-11	CERAMIC CHIP 0.1uF	25V
				C1509	1-164-156-11	CERAMIC CHIP 0.1uF	25V
				C1510	1-126-947-11	ELECT 47uF	20.00% 16V
				C1512	1-115-416-11	CERAMIC CHIP 0.001uF	5.00% 25V

Ref. No.	Part No.	Description	Remarks	Ref. No.	Part No.	Description	Remarks	
C1513	1-164-156-11	CERAMIC CHIP	0.1uF	25V	D1905	8-719-053-18	DIODE 1SR154-400TE-25	
C1514	1-164-156-11	CERAMIC CHIP	0.1uF	25V	D1906	8-719-053-18	DIODE 1SR154-400TE-25	
C1515	1-126-964-11	ELECT	10uF	20.00%	50V	D1907	8-719-053-18	DIODE 1SR154-400TE-25
C1522	1-164-156-11	CERAMIC CHIP	0.1uF	25V				
C1551	1-162-965-11	CERAMIC CHIP	0.0015uF	10%	50V		< FERRITE BEAD >	
C1552	1-126-965-91	ELECT	22uF	20.00%	50V	FB1101	1-414-813-11	FERRITE 0UH
C1601	1-164-156-11	CERAMIC CHIP	0.1uF	25V	FB1102	1-414-813-11	FERRITE 0UH	
C1602	1-164-156-11	CERAMIC CHIP	0.1uF	25V	FB1104	1-469-152-11	FERRITE 0UH	
C1603	1-164-156-11	CERAMIC CHIP	0.1uF	25V	FB1105	1-469-152-11	FERRITE 0UH	
C1604	1-164-156-11	CERAMIC CHIP	0.1uF	25V	FB1201	1-414-813-11	FERRITE 0UH	
C1605	1-164-156-11	CERAMIC CHIP	0.1uF	25V	FB1202	1-414-813-11	FERRITE 0UH	
C1606	1-126-947-11	ELECT	47uF	20.00%	16V	FB1203	1-469-152-11	FERRITE 0UH
C1610	1-162-974-11	CERAMIC CHIP	0.01uF	50V	FB1204	1-469-152-11	FERRITE 0UH	
C1611	1-162-974-11	CERAMIC CHIP	0.01uF	50V	FB1501	1-414-813-11	FERRITE 0UH	
C1612	1-164-156-11	CERAMIC CHIP	0.1uF	25V	FB1502	1-414-813-11	FERRITE 0UH	
C1613	1-162-995-11	CERAMIC CHIP	0.022uF	50V	FB1601	1-414-813-11	FERRITE 0UH	
C1614	1-162-995-11	CERAMIC CHIP	0.022uF	50V	FB1602	1-216-864-11	METAL CHIP 0 5% 1/16W	
C1615	1-162-995-11	CERAMIC CHIP	0.022uF	50V	FB1603	1-216-864-11	METAL CHIP 0 5% 1/16W	
C1616	1-162-995-11	CERAMIC CHIP	0.022uF	50V				
C1617	1-162-974-11	CERAMIC CHIP	0.01uF	50V			< IC >	
C1626	1-164-156-11	CERAMIC CHIP	0.1uF	25V	IC1101	8-759-825-15	IC LC89056W-E	
C1627	1-126-964-11	ELECT	10uF	20.00%	50V	IC1102	8-759-242-70	IC TC7WU04F(TE12R)
C1628	1-162-908-11	CERAMIC CHIP	3PF	8.33%	50V	IC1105	8-749-019-26	IC TORX141 (VIDEO 2 IN)
C1629	1-162-908-11	CERAMIC CHIP	3PF	8.33%	50V	IC1201	8-759-698-76	IC CXD9617R
C1631	1-164-156-11	CERAMIC CHIP	0.1uF	25V	IC1202	6-700-983-01	IC IS61LV6416-15T(ICSI)	
C1632	1-164-156-11	CERAMIC CHIP	0.1uF	25V	IC1501	8-759-657-47	IC AK4527	
C1634	1-164-156-11	CERAMIC CHIP	0.1uF	25V	IC1502	8-759-710-97	IC NJM4565M(TE2)	
C1635	1-164-156-11	CERAMIC CHIP	0.1uF	25V	IC1502	8-759-636-55	IC M5218AFP-T1	
C1905	1-164-156-11	CERAMIC CHIP	0.1uF	25V	IC1503	8-759-039-69	IC uPC7805AHF	
C1906	1-126-935-11	ELECT	470uF	20.00%	16V	IC1503	8-759-231-53	IC M5F7805L
C1908	1-126-935-11	ELECT	470uF	20.00%	16V	IC1503	8-759-701-75	IC NJM7805FA
C1909	1-164-156-11	CERAMIC CHIP	0.1uF	25V	IC1552	8-759-710-97	IC NJM4565M(TE2)	
C1910	1-126-935-11	ELECT	470uF	20.00%	16V	IC1552	8-759-636-55	IC M5218AFP-T1
C1911	1-164-156-11	CERAMIC CHIP	0.1uF	25V	IC1601	6-801-261-01	IC MB90478PF-G-120-BND	
C1912	1-126-935-11	ELECT	470uF	20.00%	16V	IC1602	8-759-714-20	IC S-80929ANMP-DDS-T2
C1913	1-164-156-11	CERAMIC CHIP	0.1uF	25V	IC1604	8-759-641-86	IC BR24C16F-E2	
C1914	1-126-947-11	ELECT	47uF	20.00%	16V	IC1901	6-701-887-01	IC SI-3001KWF
		< CONNECTOR >			IC1902	8-759-604-32	IC M5F7810L	
CNP5	1-779-978-11	PIN, CONNECTOR 3P			IC1902	8-759-656-35	IC NJM7810FA	
CNP6	1-784-928-11	PIN, CONNECTOR 13P			IC1903	8-759-647-11	IC uPC2905HF	
CNS1	1-573-829-11	CONNECTOR, BOARD TO BOARD 15P			IC1904	8-759-647-10	IC uPC2933HF	
CNS2	1-784-041-41	CONNECTOR, BOARD TO BOARD 9P					< JACK >	
CNS3	1-784-923-11	PIN, CONNECTOR 7P			J1101	1-784-431-11	JACK, PIN 1P (DVD/LD IN)	
CNS4	1-569-312-11	SOCKET, CONNECTOR (L TYRE) 27P					< JUMPER RESISTOR >	
CNS7	1-569-060-11	SOCKET, CONNECTOR 11P (EXCEPT K740P:AEP,UK/K840P:AEP,UK)			JR1103	1-216-864-11	METAL CHIP 0 5% 1/16W	
CNS7	1-569-321-11	SOCKET, CONNECTOR 15P (K740P:AEP,UK/K840P:AEP,UK)			JR1104	1-216-864-11	METAL CHIP 0 5% 1/16W	
CNS8	1-569-315-11	SOCKET, CONNECTOR 5P			JR1111	1-216-864-11	METAL CHIP 0 5% 1/16W	
		< DIODE >			JR1112	1-216-864-11	METAL CHIP 0 5% 1/16W	
D1001	8-719-016-74	DIODE 1SS352-TPH3			JR1113	1-216-864-11	METAL CHIP 0 5% 1/16W	
D1101	8-719-016-74	DIODE 1SS352-TPH3			JR1114	1-216-864-11	METAL CHIP 0 5% 1/16W	
D1501	8-719-049-09	DIODE 1SS367-T3SONY			JR1115	1-216-864-11	METAL CHIP 0 5% 1/16W	
D1502	8-719-049-09	DIODE 1SS367-T3SONY			JR1121	1-216-864-11	METAL CHIP 0 5% 1/16W	
D1601	8-719-016-74	DIODE 1SS352-TPH3			JR1122	1-216-864-11	METAL CHIP 0 5% 1/16W	
					JR1200	1-211-950-11	SHORT 0	

STR-K740P/K840P

DIGITAL

Ref. No.	Part No.	Description	Remarks	Ref. No.	Part No.	Description	Remarks
		< COIL >					
L1901	1-216-864-11	METAL CHIP	0 5% 1/16W	R1506	1-216-833-11	METAL CHIP	10K 5% 1/16W
		< TRANSISTOR >		R1507	1-216-829-11	METAL CHIP	4.7K 5% 1/16W
Q1601	8-729-027-43	TRANSISTOR	RT1N141C-TP-1	R1508	1-216-845-11	METAL CHIP	100K 5% 1/16W
Q1602	8-729-230-49	TRANSISTOR	2SC2712-YG-TE85L	R1509	1-216-809-11	METAL CHIP	100 5% 1/16W
		< RESISTOR >		R1516	1-216-864-11	METAL CHIP	0 5% 1/16W
R1100	1-216-857-11	METAL CHIP	1M 5% 1/16W	R1517	1-216-864-11	METAL CHIP	0 5% 1/16W
R1101	1-216-833-11	METAL CHIP	10K 5% 1/16W	R1518	1-216-864-11	METAL CHIP	0 5% 1/16W
R1102	1-216-833-11	METAL CHIP	10K 5% 1/16W	R1519	1-216-864-11	METAL CHIP	0 5% 1/16W
R1104	1-216-809-11	METAL CHIP	100 5% 1/16W	R1520	1-216-864-11	METAL CHIP	0 5% 1/16W
R1105	1-216-829-11	METAL CHIP	4.7K 5% 1/16W	R1521	1-216-864-11	METAL CHIP	0 5% 1/16W
R1106	1-216-839-11	METAL CHIP	33K 5% 1/16W	R1551	1-216-815-11	METAL CHIP	330 5% 1/16W
R1107	1-216-830-11	METAL CHIP	5.6K 5% 1/16W	R1552	1-216-833-11	METAL CHIP	10K 5% 1/16W
R1108	1-216-809-11	METAL CHIP	100 5% 1/16W	R1553	1-216-833-11	METAL CHIP	10K 5% 1/16W
R1109	1-216-809-11	METAL CHIP	100 5% 1/16W	R1554	1-216-815-11	METAL CHIP	330 5% 1/16W
R1110	1-216-821-11	METAL CHIP	1K 5% 1/16W	R1555	1-216-825-11	METAL CHIP	2.2K 5% 1/16W
R1111	1-216-821-11	METAL CHIP	1K 5% 1/16W	R1556	1-216-833-11	METAL CHIP	10K 5% 1/16W
R1112	1-216-809-11	METAL CHIP	100 5% 1/16W	R1557	1-216-829-11	METAL CHIP	4.7K 5% 1/16W
R1113	1-216-821-11	METAL CHIP	1K 5% 1/16W	R1600	1-216-829-11	METAL CHIP	4.7K 5% 1/16W
R1114	1-216-809-11	METAL CHIP	100 5% 1/16W	R1601	1-216-821-11	METAL CHIP	1K 5% 1/16W
R1115	1-216-833-11	METAL CHIP	10K 5% 1/16W	R1602	1-216-829-11	METAL CHIP	4.7K 5% 1/16W
R1116	1-218-285-11	RES-CHIP	75 5% 1/10W	R1603	1-216-821-11	METAL CHIP	1K 5% 1/16W
R1117	1-216-821-11	METAL CHIP	1K 5% 1/16W	R1604	1-216-809-11	METAL CHIP	100 5% 1/16W
R1118	1-216-854-11	METAL CHIP	560K 5% 1/16W	R1605	1-216-809-11	METAL CHIP	100 5% 1/16W
R1119	1-216-837-11	METAL CHIP	22K 5% 1/16W	R1606	1-216-821-11	METAL CHIP	1K 5% 1/16W
R1121	1-216-809-11	METAL CHIP	100 5% 1/16W	R1607	1-216-821-11	METAL CHIP	1K 5% 1/16W
R1124	1-216-809-11	METAL CHIP	100 5% 1/16W	R1608	1-216-821-11	METAL CHIP	1K 5% 1/16W
R1201	1-216-833-11	METAL CHIP	10K 5% 1/16W	R1609	1-216-821-11	METAL CHIP	1K 5% 1/16W
R1203	1-216-833-11	METAL CHIP	10K 5% 1/16W	R1610	1-216-821-11	METAL CHIP	1K 5% 1/16W
R1204	1-216-821-11	METAL CHIP	1K 5% 1/16W	R1611	1-216-821-11	METAL CHIP	1K 5% 1/16W
R1205	1-216-809-11	METAL CHIP	100 5% 1/16W	R1612	1-216-821-11	METAL CHIP	1K 5% 1/16W
R1206	1-216-809-11	METAL CHIP	100 5% 1/16W	R1613	1-216-821-11	METAL CHIP	1K 5% 1/16W
R1207	1-216-809-11	METAL CHIP	100 5% 1/16W	R1614	1-216-821-11	METAL CHIP	1K 5% 1/16W
R1208	1-216-809-11	METAL CHIP	100 5% 1/16W	R1615	1-216-821-11	METAL CHIP	1K 5% 1/16W
R1210	1-216-833-11	METAL CHIP	10K 5% 1/16W	R1617	1-216-809-11	METAL CHIP	100 5% 1/16W
R1212	1-216-809-11	METAL CHIP	100 5% 1/16W	R1618	1-216-809-11	METAL CHIP	100 5% 1/16W
R1213	1-216-809-11	METAL CHIP	100 5% 1/16W	R1619	1-216-809-11	METAL CHIP	100 5% 1/16W
R1214	1-216-809-11	METAL CHIP	100 5% 1/16W	R1621	1-216-821-11	METAL CHIP	1K 5% 1/16W
R1215	1-216-809-11	METAL CHIP	100 5% 1/16W	R1623	1-216-821-11	METAL CHIP	1K 5% 1/16W
R1216	1-216-809-11	METAL CHIP	100 5% 1/16W	R1624	1-216-833-11	METAL CHIP	10K 5% 1/16W
R1217	1-216-809-11	METAL CHIP	100 5% 1/16W	R1625	1-216-833-11	METAL CHIP	10K 5% 1/16W
R1218	1-216-809-11	METAL CHIP	100 5% 1/16W	R1626	1-216-833-11	METAL CHIP	10K 5% 1/16W
R1219	1-216-809-11	METAL CHIP	100 5% 1/16W	R1627	1-216-833-11	METAL CHIP	10K 5% 1/16W
R1220	1-216-809-11	METAL CHIP	100 5% 1/16W	R1628	1-216-833-11	METAL CHIP	10K 5% 1/16W
R1221	1-216-809-11	METAL CHIP	100 5% 1/16W	R1629	1-216-833-11	METAL CHIP	10K 5% 1/16W
R1222	1-216-809-11	METAL CHIP	100 5% 1/16W	R1630	1-216-833-11	METAL CHIP	10K 5% 1/16W
R1304	1-216-841-11	METAL CHIP	47K 5% 1/16W	R1631	1-216-829-11	METAL CHIP	4.7K 5% 1/16W
R1305	1-216-841-11	METAL CHIP	47K 5% 1/16W	R1632	1-216-825-11	METAL CHIP	2.2K 5% 1/16W
R1308	1-216-821-11	METAL CHIP	1K 5% 1/16W				
R1314	1-216-864-11	METAL CHIP	0 5% 1/16W	R1632	1-216-829-11	METAL CHIP	4.7K 5% 1/16W
R1364	1-216-864-11	METAL CHIP	0 5% 1/16W				
R1501	1-216-815-11	METAL CHIP	330 5% 1/16W	R1633	1-216-841-11	METAL CHIP	47K 5% 1/16W
R1502	1-216-833-11	METAL CHIP	10K 5% 1/16W	R1634	1-216-841-11	METAL CHIP	47K 5% 1/16W
R1503	1-216-833-11	METAL CHIP	10K 5% 1/16W				
R1504	1-216-815-11	METAL CHIP	330 5% 1/16W				
R1505	1-216-825-11	METAL CHIP	2.2K 5% 1/16W	R1635	1-216-833-11	METAL CHIP	10K 5% 1/16W
				R1636	1-216-833-11	METAL CHIP	10K 5% 1/16W
				R1637	1-216-833-11	METAL CHIP	10K 5% 1/16W
				R1638	1-216-829-11	METAL CHIP	4.7K 5% 1/16W
				R1639	1-216-821-11	METAL CHIP	1K 5% 1/16W

(EXCEPT K740P:US,CND/K840P:US,CND)

DIGITAL

DISPLAY

Ref. No.	Part No.	Description	Remarks	Ref. No.	Part No.	Description	Remarks
R1640	1-216-821-11	METAL CHIP	1K 5% 1/16W		A-4728-362-A	DISPLAY BOARD, COMPLETE (K740P)	
R1641	1-216-821-11	METAL CHIP	1K 5% 1/16W			*****	
R1642	1-216-833-11	METAL CHIP	10K 5% 1/16W		A-4727-966-A	DISPLAY BOARD, COMPLETE (K840P)	
R1643	1-216-821-11	METAL CHIP	1K 5% 1/16W			*****	
R1644	1-216-821-11	METAL CHIP	1K 5% 1/16W				
R1645	1-216-821-11	METAL CHIP	1K 5% 1/16W	*	3-386-245-13	HOLDER (FL)	
R1646	1-216-821-11	METAL CHIP	1K 5% 1/16W	*	4-921-941-01	CUSHION (FL)	
R1647	1-216-821-11	METAL CHIP	1K 5% 1/16W			< CAPACITOR >	
R1648	1-216-821-11	METAL CHIP	1K 5% 1/16W				
R1649	1-216-821-11	METAL CHIP	1K 5% 1/16W		C100	1-164-159-11 CERAMIC	0.1uF 50V
R1650	1-216-833-11	METAL CHIP	10K 5% 1/16W		C101	1-164-159-11 CERAMIC	0.1uF 50V
R1651	1-216-833-11	METAL CHIP	10K 5% 1/16W		C104	1-164-159-11 CERAMIC	0.1uF 50V
R1654	1-216-833-11	METAL CHIP	10K 5% 1/16W				(K840P)
R1655	1-216-833-11	METAL CHIP	10K 5% 1/16W		C105	1-126-795-11 ELECT	10uF 20.00% 50V
R1656	1-216-833-11	METAL CHIP	10K 5% 1/16W		C108	1-164-159-11 CERAMIC	0.1uF 50V
R1657	1-216-833-11	METAL CHIP	10K 5% 1/16W		C109	1-164-159-11 CERAMIC	0.1uF 50V
R1658	1-216-809-11	METAL CHIP	100 5% 1/16W		C110	1-128-809-11 CERAMIC	100PF 5% 50V
R1659	1-216-833-11	METAL CHIP	10K 5% 1/16W		C111	1-128-809-11 CERAMIC	100PF 5% 50V
R1661	1-216-833-11	METAL CHIP	10K 5% 1/16W		C112	1-128-809-11 CERAMIC	100PF 5% 50V
R1662	1-216-827-11	METAL CHIP	3.3K 5% 1/16W		C114	1-164-159-11 CERAMIC	0.1uF 50V
R1663	1-216-827-11	METAL CHIP	3.3K 5% 1/16W		C115	1-126-795-11 ELECT	10uF 20.00% 50V
R1666	1-216-833-11	METAL CHIP	10K 5% 1/16W		C132	1-128-813-11 CERAMIC	220PF 5% 50V
R1668	1-216-830-11	METAL CHIP	5.6K 5% 1/16W		C133	1-128-813-11 CERAMIC	220PF 5% 50V
R1669	1-216-829-11	METAL CHIP	4.7K 5% 1/16W		C134	1-128-813-11 CERAMIC	220PF 5% 50V
R1670	1-216-833-11	METAL CHIP	10K 5% 1/16W		C135	1-128-813-11 CERAMIC	220PF 5% 50V
R1673	1-216-821-11	METAL CHIP	1K 5% 1/16W		C136	1-128-813-11 CERAMIC	220PF 5% 50V
R1674	1-216-821-11	METAL CHIP	1K 5% 1/16W		C137	1-128-813-11 CERAMIC	220PF 5% 50V
R1676	1-216-821-11	METAL CHIP	1K 5% 1/16W		C138	1-128-813-11 CERAMIC	220PF 5% 50V
R1677	1-216-821-11	METAL CHIP	1K 5% 1/16W		C139	1-128-813-11 CERAMIC	220PF 5% 50V
R1678	1-216-821-11	METAL CHIP	1K 5% 1/16W		C140	1-128-813-11 CERAMIC	220PF 5% 50V
R1679	1-216-821-11	METAL CHIP	1K 5% 1/16W		C141	1-128-813-11 CERAMIC	220PF 5% 50V
R1682	1-216-845-11	METAL CHIP	100K 5% 1/16W		C142	1-128-813-11 CERAMIC	220PF 5% 50V
R1684	1-216-821-11	METAL CHIP	1K 5% 1/16W		C143	1-128-813-11 CERAMIC	220PF 5% 50V
R1685	1-216-821-11	METAL CHIP	1K 5% 1/16W		C144	1-164-159-11 CERAMIC	0.1uF 50V
R1686	1-216-821-11	METAL CHIP	1K 5% 1/16W		C145	1-164-159-11 CERAMIC	0.1uF 50V
R1687	1-216-833-11	METAL CHIP	10K 5% 1/16W		C150	1-164-159-11 CERAMIC	0.1uF 50V
R1688	1-216-864-11	METAL CHIP	0 5% 1/16W		C151	1-126-795-11 ELECT	10uF 20.00% 50V
R1689	1-216-833-11	METAL CHIP	10K 5% 1/16W			< DIODE >	
R1690	1-216-821-11	METAL CHIP	1K 5% 1/16W		D100	8-719-075-59 DIODE SELS5B23C-TP15	(Digital Cinema Sound)
R1691	1-216-833-11	METAL CHIP	10K 5% 1/16W		D102	8-719-084-07 DIODE SEL5E20CTP15	(MULTI CHANNEL DECODING) (K840P)
R1694	1-216-821-11	METAL CHIP	1K 5% 1/16W		D103	8-719-046-39 DIODE SEL5821A-TP15 (A.F.D.)	
R1697	1-216-825-11	METAL CHIP	2.2K 5% 1/16W		D104	8-719-046-39 DIODE SEL5821A-TP15 (2CH)	
R1698	1-216-829-11	METAL CHIP	4.7K 5% 1/16W		D105	8-719-046-39 DIODE SEL5821A-TP15 (MODE)	
R1699	1-216-829-11	METAL CHIP	4.7K 5% 1/16W		D111	8-719-046-39 DIODE SEL5821A-TP15 (LEVEL)	
R1703	1-216-833-11	METAL CHIP	10K 5% 1/16W		D112	8-719-046-39 DIODE SEL5821A-TP15 (SURR)	
R1704	1-216-833-11	METAL CHIP	10K 5% 1/16W		D113	8-719-046-39 DIODE SEL5821A-TP15 (SET UP)	
R1706	1-216-833-11	METAL CHIP	10K 5% 1/16W		D114	8-719-046-39 DIODE SEL5821A-TP15 (NAME)	
R1707	1-216-833-11	METAL CHIP	10K 5% 1/16W			< FILTER >	
R1708	1-216-833-11	METAL CHIP	10K 5% 1/16W				
R1709	1-216-833-11	METAL CHIP	10K 5% 1/16W		FL101	1-518-718-11 INDICATOR TUBE, FLUORESCENT	
		< VIBRATOR >				< IC >	
X1101	1-781-465-21	VIBRATOR, CRYSTAL 12.288MHz		IC100	8-759-643-83 IC uPD16315GB-3BS		
X1201	1-795-297-21	VIBRATOR, CERAMIC 13.59MHz		IC101	8-759-036-90 IC MC74ACT08N		
X1601	1-795-318-11	OSCILLATOR, CERAMIC 20MHz		IC102	6-600-055-01 IC GP1UD27SXX (R)		

STR-K740P/K840P

DISPLAY

Ref. No.	Part No.	Description	Remarks	Ref. No.	Part No.	Description	Remarks
< TRANSISTOR >				R123	1-249-421-11	CARBON	2.2K 5% 1/4W F (K840P)
Q100	8-729-119-78	TRANSISTOR	2SC2785TP-HFE (K840P)	R124	1-249-421-11	CARBON	2.2K 5% 1/4W F (K740P)
Q101	8-729-119-78	TRANSISTOR	2SC2785TP-HFE	R124	1-249-415-11	CARBON	680 5% 1/4W F (K840P)
Q102	8-729-119-78	TRANSISTOR	2SC2785TP-HFE	R125	1-249-421-11	CARBON	2.2K 5% 1/4W F (K740P)
Q103	8-729-119-78	TRANSISTOR	2SC2785TP-HFE	R125	1-249-415-11	CARBON	680 5% 1/4W F (K840P)
Q104	8-729-119-78	TRANSISTOR	2SC2785TP-HFE	R126	1-249-425-11	CARBON	4.7K 5% 1/4W F
Q107	8-729-900-36	TRANSISTOR	BA1F4M-TP	R127	1-249-429-11	CARBON	10K 5% 1/4W
Q108	8-729-900-36	TRANSISTOR	BA1F4M-TP	R128	1-249-433-11	CARBON	22K 5% 1/4W
Q109	8-729-900-36	TRANSISTOR	BA1F4M-TP	R131	1-249-413-11	CARBON	470 5% 1/4W F
Q110	8-729-900-63	TRANSISTOR	BN1F4M-TP	R132	1-249-417-11	CARBON	1K 5% 1/4W F (K740P)
Q111	8-729-900-63	TRANSISTOR	BN1F4M-TP	R132	1-249-421-11	CARBON	2.2K 5% 1/4W F (K840P)
< RESISTOR >				R133	1-249-417-11	CARBON	1K 5% 1/4W F (K740P)
R101	1-249-413-11	CARBON	470 5% 1/4W F	R133	1-249-421-11	CARBON	2.2K 5% 1/4W F (K840P)
R102	1-249-417-11	CARBON	1K 5% 1/4W F (K740P)	R133	1-249-417-11	CARBON	1K 5% 1/4W F (K740P)
R102	1-249-421-11	CARBON	2.2K 5% 1/4W F (K840P)	R133	1-249-421-11	CARBON	2.2K 5% 1/4W F (K840P)
R103	1-249-417-11	CARBON	1K 5% 1/4W F (K740P)	R134	1-249-421-11	CARBON	2.2K 5% 1/4W F (K740P)
R103	1-249-421-11	CARBON	2.2K 5% 1/4W F (K840P)	R134	1-249-415-11	CARBON	680 5% 1/4W F (K840P)
R104	1-249-421-11	CARBON	2.2K 5% 1/4W F (K740P)	R135	1-249-421-11	CARBON	2.2K 5% 1/4W F (K740P)
R104	1-249-415-11	CARBON	680 5% 1/4W F (K840P)	R135	1-249-415-11	CARBON	680 5% 1/4W F (K840P)
R105	1-249-421-11	CARBON	2.2K 5% 1/4W F (K740P)	R136	1-249-425-11	CARBON	4.7K 5% 1/4W F
R105	1-249-415-11	CARBON	680 5% 1/4W F (K840P)	R137	1-249-429-11	CARBON	10K 5% 1/4W
R106	1-249-425-11	CARBON	4.7K 5% 1/4W F	R141	1-249-415-11	CARBON	680 5% 1/4W F (K840P)
R107	1-249-429-11	CARBON	10K 5% 1/4W	R142	1-249-421-11	CARBON	2.2K 5% 1/4W F (K740P)
R108	1-249-433-11	CARBON	22K 5% 1/4W	R142	1-249-415-11	CARBON	680 5% 1/4W F (K840P)
R109	1-249-437-11	CARBON	47K 5% 1/4W	R143	1-249-421-11	CARBON	2.2K 5% 1/4W F (K740P)
R111	1-249-413-11	CARBON	470 5% 1/4W F	R143	1-249-415-11	CARBON	680 5% 1/4W F (K840P)
R112	1-249-417-11	CARBON	1K 5% 1/4W F (K740P)	R144	1-249-421-11	CARBON	2.2K 5% 1/4W F (K740P)
R112	1-249-421-11	CARBON	2.2K 5% 1/4W F (K840P)	R144	1-249-415-11	CARBON	680 5% 1/4W F (K840P)
R113	1-249-417-11	CARBON	1K 5% 1/4W F (K740P)	R148	1-249-421-11	CARBON	2.2K 5% 1/4W F (K740P)
R113	1-249-421-11	CARBON	2.2K 5% 1/4W F (K840P)	R148	1-249-415-11	CARBON	680 5% 1/4W F (K840P)
R114	1-249-421-11	CARBON	2.2K 5% 1/4W F (K740P)	R150	1-249-440-11	CARBON	82K 5% 1/4W
R114	1-249-415-11	CARBON	680 5% 1/4W F (K840P)	R153	1-247-807-31	CARBON	100 5% 1/4W
R115	1-249-421-11	CARBON	2.2K 5% 1/4W F (K740P)	R154	1-249-393-11	CARBON	10 5% 1/4W F
R115	1-249-415-11	CARBON	680 5% 1/4W F (K840P)	R155	1-249-441-11	CARBON	100K 5% 1/4W
R116	1-249-425-11	CARBON	4.7K 5% 1/4W F	R160	1-247-807-31	CARBON	100 5% 1/4W
R117	1-249-429-11	CARBON	10K 5% 1/4W	R161	1-247-807-31	CARBON	100 5% 1/4W
R118	1-249-433-11	CARBON	22K 5% 1/4W	R162	1-247-807-31	CARBON	100 5% 1/4W
R119	1-249-437-11	CARBON	47K 5% 1/4W	R163	1-247-807-31	CARBON	100 5% 1/4W
R121	1-249-413-11	CARBON	470 5% 1/4W F	R164	1-249-429-11	CARBON	10K 5% 1/4W
R122	1-249-417-11	CARBON	1K 5% 1/4W F (K740P)	R165	1-249-403-11	CARBON	68 5% 1/4W F (K840P)
R122	1-249-421-11	CARBON	2.2K 5% 1/4W F (K840P)	R166	1-249-409-11	CARBON	220 5% 1/4W F
R123	1-249-417-11	CARBON	1K 5% 1/4W F (K740P)	R167	1-249-409-11	CARBON	220 5% 1/4W F

DISPLAY

HEADPHONE

MAIN

Ref. No.	Part No.	Description	Remarks
R168	1-249-409-11	CARBON 220 5%	1/4W F
R169	1-249-409-11	CARBON 220 5%	1/4W F
R170	1-249-429-11	CARBON 10K 5%	1/4W
R171	1-249-429-11	CARBON 10K 5%	1/4W (K840P)
△R198	1-249-381-11	CARBON 1 5%	1/4W F
△R199	1-249-381-11	CARBON 1 5%	1/4W F
		< VARIABLE RESISTOR >	
RV102	1-418-725-41	ENCODER, ROTARY (12 TYPE) (MASTER VOLUME)	
		< SWITCH >	
S100	1-771-410-21	SWITCH, TACTILE (PRESET/PTY SELECT -)	
S101	1-771-410-21	SWITCH, TACTILE (TUNING -)	
S102	1-771-410-21	SWITCH, TACTILE (NAME)	
S103	1-771-410-21	SWITCH, TACTILE (ENTER)	
S104	1-771-410-21	SWITCH, TACTILE (LEVEL)	
S105	1-771-410-21	SWITCH, TACTILE (SURR)	
S106	1-771-410-21	SWITCH, TACTILE (MENU -)	
S107	1-771-410-21	SWITCH, TACTILE (SET UP)	
S108	1-771-410-21	SWITCH, TACTILE (VIDEO 1)	
S109	1-771-410-21	SWITCH, TACTILE (MD/TAPE)	
S110	1-771-410-21	SWITCH, TACTILE (MUTING)	
S111	1-771-410-21	SWITCH, TACTILE (INPUT MODE)	
S112	1-771-410-21	SWITCH, TACTILE (TREBLE +)	
S113	1-771-410-21	SWITCH, TACTILE (MULTI CH IN)	
S114	1-771-410-21	SWITCH, TACTILE (CD)	
S115	1-771-410-21	SWITCH, TACTILE (TUNER)	
S116	1-771-410-21	SWITCH, TACTILE (VIDEO 2)	
S117	1-771-410-21	SWITCH, TACTILE (BASS -)	
S118	1-771-410-21	SWITCH, TACTILE (MODE)	
S119	1-771-410-21	SWITCH, TACTILE (PRESET/PTY SELECT +)	
S120	1-771-410-21	SWITCH, TACTILE (FM MODE) (AEP, UK)	
S120	1-771-410-21	SWITCH, TACTILE (FM) (EXCEPT AEP, UK)	
S121	1-771-410-21	SWITCH, TACTILE (SHIFT)	
S122	1-771-410-21	SWITCH, TACTILE (PTY)	
S123	1-771-410-21	SWITCH, TACTILE (MENU <)	
S124	1-771-410-21	SWITCH, TACTILE (MENU >)	
S125	1-771-410-21	SWITCH, TACTILE (FM/AM) (AEP, UK)	
S125	1-771-410-21	SWITCH, TACTILE (AM) (EXCEPT AEP, UK)	
S126	1-771-410-21	SWITCH, TACTILE (MEMORY)	
S127	1-771-410-21	SWITCH, TACTILE (TUNING +)	
S128	1-771-410-21	SWITCH, TACTILE (MENU +)	
S130	1-771-410-21	SWITCH, TACTILE (TREBLE -)	
S131	1-771-410-21	SWITCH, TACTILE (DVD/LD)	
S132	1-771-410-21	SWITCH, TACTILE (CINEMA STUDIO C)	
S133	1-771-410-21	SWITCH, TACTILE (CINEMA STUDIO B)	
S134	1-771-410-21	SWITCH, TACTILE (CINEMA STUDIO A)	
S135	1-771-410-21	SWITCH, TACTILE (BASS +)	
S136	1-771-410-21	SWITCH, TACTILE (A.F.D.)	
S137	1-771-410-21	SWITCH, TACTILE (2CH)	

Ref. No.	Part No.	Description	Remarks
	1-683-763-11	HEADPHONE BOARD *****	
		< CAPACITOR >	
C790	1-164-159-11	CERAMIC 0.1uF	50V
		< CONNECTOR >	
CNP791	1-691-766-11	PLUG (MICRO CONNECTOR) 4P	
		< JACK >	
J791	1-815-314-21	JACK (PHONES)	

A-4727-963-A		MAIN BOARD, COMPLETE (K840P:US,CND)	

A-4727-978-A		MAIN BOARD, COMPLETE (K840P:AEP,UK)	

A-4727-967-A		MAIN BOARD, COMPLETE (K840P:E,MY,SP,AR,MX)	

A-4728-583-A		MAIN BOARD, COMPLETE (K740P:E,MY,SP)	

A-4728-367-A		MAIN BOARD, COMPLETE (K740P:AEP,UK)	

A-4728-359-A		MAIN BOARD, COMPLETE (K740P:US,CND)	

7-685-646-79	SCREW +BVTP 3X8	TYPE2 IT-3	
		< CAPACITOR >	
C371	1-161-494-00	CERAMIC 0.022uF	25V
C372	1-161-494-00	CERAMIC 0.022uF	25V
C373	1-161-494-00	CERAMIC 0.022uF	25V
C374	1-164-159-11	CERAMIC 0.1uF	50V
C375	1-161-494-00	CERAMIC 0.022uF	25V
C376	1-161-494-00	CERAMIC 0.022uF	25V
C400	1-128-825-11	CERAMIC 2200PF 5%	50V
C402	1-126-964-11	ELECT 10uF	20.00% 50V
C404	1-126-964-11	ELECT 10uF	20.00% 50V
C405	1-126-964-11	ELECT 10uF	20.00% 50V
C406	1-126-964-11	ELECT 10uF	20.00% 50V
C407	1-126-964-11	ELECT 10uF	20.00% 50V
C408	1-126-964-11	ELECT 10uF	20.00% 50V
C409	1-126-964-11	ELECT 10uF	20.00% 50V
C411	1-126-961-11	ELECT 2.2uF	20.00% 50V
C412	1-126-961-11	ELECT 2.2uF	20.00% 50V
C413	1-126-964-11	ELECT 10uF	20.00% 50V
C414	1-126-964-11	ELECT 10uF	20.00% 50V
C415	1-126-964-11	ELECT 10uF	20.00% 50V
C416	1-126-964-11	ELECT 10uF	20.00% 50V
C417	1-126-964-11	ELECT 10uF	20.00% 50V
C418	1-126-964-11	ELECT 10uF	20.00% 50V
C419	1-126-964-11	ELECT 10uF	20.00% 50V
C431	1-126-961-11	ELECT 2.2uF	20.00% 50V
C432	1-126-961-11	ELECT 2.2uF	20.00% 50V

The components identified by mark △ or dotted line with mark △ are critical for safety. Replace only with part number specified.

Les composants identifiés par une marque △ sont critiques pour la sécurité. Ne les remplacer que par une pièce portant le numéro spécifié.

STR-K740P/K840P

MAIN

Ref. No.	Part No.	Description	Remarks	Ref. No.	Part No.	Description	Remarks
C433	1-126-964-11	ELECT	10uF 20.00% 50V	C616	1-106-355-12	MYLAR	3300PF 5% 200V
C452	1-126-964-11	ELECT	10uF 20.00% 50V	C617	1-106-355-12	MYLAR	3300PF 5% 200V
C454	1-126-964-11	ELECT	10uF 20.00% 50V	C619	1-128-813-11	CERAMIC	220PF 5% 50V
C455	1-126-964-11	ELECT	10uF 20.00% 50V	C620	1-162-815-11	CERAMIC	47PF 5.00% 500V
C456	1-126-964-11	ELECT	10uF 20.00% 50V	C621	1-162-815-11	CERAMIC	47PF 5.00% 500V
C457	1-126-964-11	ELECT	10uF 20.00% 50V	C640	1-126-964-11	ELECT	10uF 20.00% 50V
C458	1-126-964-11	ELECT	10uF 20.00% 50V	C642	1-127-876-11	CERAMIC	0.01uF 10% 50V
C459	1-126-964-11	ELECT	10uF 20.00% 50V	C651	1-126-963-11	ELECT	4.7uF 20.00% 50V
C461	1-126-961-11	ELECT	2.2uF 20.00% 50V	C653	1-104-665-11	ELECT	100uF 20.00% 10V
C462	1-126-961-11	ELECT	2.2uF 20.00% 50V	C654	1-107-583-11	CERAMIC	3PF 8.33% 500V
C464	1-164-159-11	CERAMIC	0.1uF 50V	C655	1-102-233-00	CERAMIC	33PF 10.00% 500V
C465	1-126-969-11	ELECT	220uF 20.00% 50V	C656	1-128-813-11	CERAMIC	220PF 5% 50V
C466	1-126-964-11	ELECT	10uF 20.00% 50V	C657	1-128-809-11	CERAMIC	100PF 5% 50V
C467	1-164-159-11	CERAMIC	0.1uF 50V	C660	1-126-947-11	ELECT	47uF 20.00% 25V
C471	1-126-963-11	ELECT	4.7uF 20.00% 50V	C661	1-136-157-00	FILM	0.022uF 5.00% 50V
C481	1-126-964-11	ELECT	10uF 20.00% 50V	C666	1-162-815-11	CERAMIC	47PF 5.00% 500V
C482	1-126-964-11	ELECT	10uF 20.00% 50V	C669	1-162-815-11	CERAMIC	47PF 5.00% 500V
C483	1-126-964-11	ELECT	10uF 20.00% 50V	C670	1-128-813-11	CERAMIC	220PF 5% 50V
C484	1-126-964-11	ELECT	10uF 20.00% 50V	C680	1-126-964-11	ELECT	10uF 20.00% 50V
C485	1-126-964-11	ELECT	10uF 20.00% 50V	C681	1-127-876-11	CERAMIC	0.01uF 10% 50V
C486	1-126-964-11	ELECT	10uF 20.00% 50V	C691	1-164-159-11	CERAMIC	0.1uF 50V
C487	1-126-964-11	ELECT	10uF 20.00% 50V	C700	1-128-825-11	CERAMIC	2200PF 5% 50V
C488	1-164-159-11	CERAMIC	0.1uF 50V	C701	1-126-963-11	ELECT	4.7uF 20.00% 50V
C489	1-128-809-11	CERAMIC	100PF 5% 50V	C703	1-104-665-11	ELECT	100uF 20.00% 10V
C490	1-128-809-11	CERAMIC	100PF 5% 50V	C704	1-107-583-11	CERAMIC	3PF 8.33% 500V
C491	1-126-964-11	ELECT	10uF 20.00% 50V	C705	1-102-233-00	CERAMIC	33PF 10.00% 500V
C492	1-126-964-11	ELECT	10uF 20.00% 50V	C706	1-128-813-11	CERAMIC	220PF 5% 50V
C493	1-126-964-11	ELECT	10uF 20.00% 50V	C707	1-128-809-11	CERAMIC	100PF 5% 50V
C494	1-126-964-11	ELECT	10uF 20.00% 50V	C710	1-126-947-11	ELECT	47uF 20.00% 25V
C495	1-126-964-11	ELECT	10uF 20.00% 50V	C711	1-136-157-00	FILM	0.022uF 5.00% 50V
C496	1-126-963-11	ELECT	4.7uF 20.00% 50V	C716	1-162-815-11	CERAMIC	47PF 5.00% 500V
C497	1-128-809-11	CERAMIC	100PF 5% 50V	C717	1-162-815-11	CERAMIC	47PF 5.00% 500V
C498	1-162-211-31	CERAMIC	33PF 5% 50V	C720	1-128-813-11	CERAMIC	220PF 5% 50V
C500	1-128-825-11	CERAMIC	2200PF 5% 50V	C721	1-126-934-11	ELECT	220uF 20.00% 10V
C501	1-126-963-11	ELECT	4.7uF 20.00% 50V	C722	1-126-964-11	ELECT	10uF 20.00% 50V
C503	1-104-665-11	ELECT	100uF 20.00% 10V	C732	1-128-582-11	ELECT	10uF 20.00% 100V
C504	1-107-583-11	CERAMIC	3PF 8.33% 500V	C733	1-128-582-11	ELECT	10uF 20.00% 100V
C505	1-102-989-00	CERAMIC	68PF 5.00% 500V	C740	1-126-964-11	ELECT	10uF 20.00% 50V
C506	1-102-989-00	CERAMIC	68PF 5.00% 500V	C741	1-128-579-11	ELECT	2.2uF 20.00% 100V
C507	1-128-809-11	CERAMIC	100PF 5% 50V	C742	1-127-876-11	CERAMIC	0.01uF 10% 50V
C510	1-126-947-11	ELECT	47uF 20.00% 25V	C750	1-126-964-11	ELECT	10uF 20.00% 50V
C511	1-136-157-00	FILM	0.022uF 5.00% 50V	C751	1-126-963-11	ELECT	4.7uF 20.00% 50V
C516	1-162-815-11	CERAMIC	47PF 5.00% 500V	C752	1-127-876-11	CERAMIC	0.01uF 10% 50V
C517	1-162-815-11	CERAMIC	47PF 5.00% 500V	C753	1-104-665-11	ELECT	100uF 20.00% 10V
C519	1-128-813-11	CERAMIC	220PF 5% 50V	C754	1-107-583-11	CERAMIC	3PF 8.33% 500V
C540	1-126-964-11	ELECT	10uF 20.00% 50V	C755	1-102-233-00	CERAMIC	33PF 10.00% 500V
C541	1-127-876-11	CERAMIC	0.01uF 10% 50V	C756	1-128-813-11	CERAMIC	220PF 5% 50V
C601	1-126-963-11	ELECT	4.7uF 20.00% 50V	C757	1-128-809-11	CERAMIC	100PF 5% 50V
C603	1-104-665-11	ELECT	100uF 20.00% 10V	C760	1-126-947-11	ELECT	47uF 20.00% 25V
C604	1-107-583-11	CERAMIC	3PF 8.33% 500V	C761	1-136-157-00	FILM	0.022uF 5.00% 50V
C605	1-102-233-00	CERAMIC	33PF 10.00% 500V	C766	1-162-815-11	CERAMIC	47PF 5.00% 500V
C606	1-128-813-11	CERAMIC	220PF 5% 50V	C767	1-162-815-11	CERAMIC	47PF 5.00% 500V
C607	1-128-809-11	CERAMIC	100PF 5% 50V	C770	1-128-813-11	CERAMIC	220PF 5% 50V
C610	1-126-947-11	ELECT	47uF 20.00% 25V	C800	1-128-825-11	CERAMIC	2200PF 5% 50V
C611	1-136-157-00	FILM	0.022uF 5.00% 50V	C801	1-126-947-11	ELECT	47uF 20.00% 35V

Ref. No.	Part No.	Description	Remarks	Ref. No.	Part No.	Description	Remarks
C802	1-126-947-11	ELECT	47uF 20.00% 35V	CC32	1-128-809-11	CERAMIC	100PF 5% 50V (K740P:AEP,UK/K840P:AEP,UK)
C803	1-165-498-11	ELECT	4700uF 20% 63V (K740P)	CC41	1-128-809-11	CERAMIC	100PF 5% 50V (K740P:AEP,UK/K840P:AEP,UK)
C803	1-165-707-11	ELECT	10000uF 20% 71V (K840P)	CC42	1-128-809-11	CERAMIC	100PF 5% 50V (K740P:AEP,UK/K840P:AEP,UK)
C804	1-165-498-11	ELECT	4700uF 20% 63V (K740P)	CC52	1-128-809-11	CERAMIC	100PF 5% 50V (K740P:AEP,UK/K840P:AEP,UK)
C804	1-165-707-11	ELECT	10000uF 20% 71V (K840P)	CC53	1-128-809-11	CERAMIC	100PF 5% 50V (K840P:AEP,UK)
C805	1-135-851-21	MYLAR	0.22uF 100V	CC54	1-128-809-11	CERAMIC	100PF 5% 50V (K740P:AEP,UK/K840P:AEP,UK)
C806	1-135-851-21	MYLAR	0.22uF 100V	CC55	1-128-809-11	CERAMIC	100PF 5% 50V (K740P:AEP,UK/K840P:AEP,UK)
C807	1-104-665-11	ELECT	100uF 20.00% 10V	CC56	1-128-809-11	CERAMIC	100PF 5% 50V (K740P:AEP,UK/K840P:AEP,UK)
C808	1-126-935-11	ELECT	470uF 20.00% 10V	CC57	1-128-809-11	CERAMIC	100PF 5% 50V (K740P:AEP,UK/K840P:AEP,UK)
C810	1-164-159-11	CERAMIC	0.1uF 50V	CC58	1-128-809-11	CERAMIC	100PF 5% 50V (K740P:AEP,UK/K840P:AEP,UK)
C822	1-126-947-11	ELECT	47uF 20.00% 35V	CC59	1-128-809-11	CERAMIC	100PF 5% 50V (K740P:AEP,UK/K840P:AEP,UK)
C830	1-164-159-11	CERAMIC	0.1uF 50V	CC61	1-128-809-11	CERAMIC	100PF 5% 50V (K740P:AEP,UK/K840P:AEP,UK)
C898	1-126-949-11	ELECT	220uF 20.00% 35V	CC62	1-128-809-11	CERAMIC	100PF 5% 50V (K740P:AEP,UK/K840P:AEP,UK)
C899	1-126-948-11	ELECT	100uF 20.00% 35V				< CONNECTOR >
C901	1-164-159-11	CERAMIC	0.1uF 50V	CNP501	1-573-847-11	CONNECTOR, BOARD TO BOARD 15P	
C903	1-126-936-11	ELECT	3300uF 20.00% 16V	CNP502	1-784-038-21	CONNECTOR, BOARD TO BOARD 9P	
CC02	1-128-809-11	CERAMIC	100PF 5% 50V (K740P:AEP,UK/K840P:AEP,UK)	CNP504	1-569-315-11	SOCKET, CONNECTOR 5P	
CC03	1-128-809-11	CERAMIC	100PF 5% 50V (K840P:AEP,UK)	* CNP801	1-564-104-00	PIN, CONNECTOR (B3P-VH) 3P	
CC04	1-128-809-11	CERAMIC	100PF 5% 50V (K740P:AEP,UK/K840P:AEP,UK)	CNP802	1-691-767-11	PLUG (MICRO CONNECTOR) 5P	
CC05	1-128-809-11	CERAMIC	100PF 5% 50V (K740P:AEP,UK/K840P:AEP,UK)	CNP911	1-784-928-11	PIN, CONNECTOR 13P	
CC06	1-128-809-11	CERAMIC	100PF 5% 50V (K740P:AEP,UK/K840P:AEP,UK)	CNP915	1-766-200-11	SOCKET, CONNECTOR PIN 5P	
CC07	1-128-809-11	CERAMIC	100PF 5% 50V (K740P:AEP,UK/K840P:AEP,UK)				< DIODE >
CC08	1-128-809-11	CERAMIC	100PF 5% 50V (K740P:AEP,UK/K840P:AEP,UK)	D505	8-719-911-19	DIODE 1SS133T-72	
CC09	1-128-809-11	CERAMIC	100PF 5% 50V (K740P:AEP,UK/K840P:AEP,UK)	D510	8-719-911-19	DIODE 1SS133T-72	
CC12	1-127-876-11	CERAMIC	0.01uF 10% 50V (K740P:AEP,UK)	D540	8-719-911-19	DIODE 1SS133T-72	
CC12	1-127-876-21	CERAMIC	0.01uF 10% 50V (K840P:AEP,UK)	D560	8-719-911-19	DIODE 1SS133T-72	
CC14	1-127-876-11	CERAMIC	0.01uF 10% 50V (K740P:AEP,UK)	D605	8-719-911-19	DIODE 1SS133T-72	
CC14	1-127-876-21	CERAMIC	0.01uF 10% 50V (K840P:AEP,UK)	D610	8-719-911-19	DIODE 1SS133T-72	
CC16	1-127-876-11	CERAMIC	0.01uF 10% 50V (K740P:AEP,UK)	D640	8-719-911-19	DIODE 1SS133T-72	
CC16	1-127-876-21	CERAMIC	0.01uF 10% 50V (K840P:AEP,UK)	D665	8-719-911-19	DIODE 1SS133T-72	
CC18	1-127-876-11	CERAMIC	0.01uF 10% 50V (K740P:AEP,UK)	D680	8-719-911-19	DIODE 1SS133T-72	
CC18	1-127-876-21	CERAMIC	0.01uF 10% 50V (K840P:AEP,UK)	D705	8-719-911-19	DIODE 1SS133T-72	
CC20	1-127-876-11	CERAMIC	0.01uF 10% 50V (K740P:AEP,UK)	D710	8-719-911-19	DIODE 1SS133T-72	
CC20	1-127-876-21	CERAMIC	0.01uF 10% 50V (K840P:AEP,UK)	D721	8-719-911-19	DIODE 1SS133T-72	
CC31	1-128-809-11	CERAMIC	100PF 5% 50V (K740P:AEP,UK/K840P:AEP,UK)	D722	8-719-911-19	DIODE 1SS133T-72	
				D731	8-719-911-19	DIODE 1SS133T-72	
				D732	8-719-911-19	DIODE 1SS133T-72	
				D733	8-719-911-19	DIODE 1SS133T-72	
				D734	8-719-911-19	DIODE 1SS133T-72	
				D740	8-719-911-19	DIODE 1SS133T-72	
				D750	8-719-911-19	DIODE 1SS133T-72	
				D765	8-719-911-19	DIODE 1SS133T-72	

STR-K740P/K840P

MAIN

Ref. No.	Part No.	Description	Remarks	Ref. No.	Part No.	Description	Remarks
D791	8-719-911-19	DIODE 1SS133T-72		Q604	8-749-010-26	TRANSISTOR MP1620-OPY-M	
D801	8-719-934-21	DIODE HZS30-1LTA		Q605	8-729-140-82	TRANSISTOR 2SA988TP-PAFAEA	
D802	8-719-072-05	DIODE RBV-602LF-A		Q606	8-729-140-82	TRANSISTOR 2SA988TP-PAFAEA	
D804	8-719-068-24	DIODE HZ5.6BP-TK		Q610	8-729-119-79	TRANSISTOR 2SC2785TP-FEK	
D804	8-719-118-63	DIODE RD5.6F-T7B2		Q640	8-729-281-53	TRANSISTOR 2SC1815GR-TPE2	
D896	8-719-043-76	DIODE AK04V1		Q651	8-729-119-76	TRANSISTOR 2SA1115TP-EF	
D902	8-719-024-99	DIODE 11ES2-NTA2B		Q652	8-729-141-30	TRANSISTOR 2SC3623ATP-LK	
D903	8-719-024-99	DIODE 11ES2-NTA2B		Q653	8-749-010-25	TRANSISTOR MN2488-OPY-M	
D904	8-719-024-99	DIODE 11ES2-NTA2B		Q654	8-749-010-26	TRANSISTOR MP1620-OPY-M	
D905	8-719-024-99	DIODE 11ES2-NTA2B		Q655	8-729-140-82	TRANSISTOR 2SA988TP-PAFAEA	
< IC >				Q656	8-729-140-82	TRANSISTOR 2SA988TP-PAFAEA	
IC201	8-759-827-92	IC M61511FP		Q680	8-729-281-53	TRANSISTOR 2SC1815GR-TPE2	
IC401	8-759-636-74	IC NJM4565DD		Q691	8-729-281-53	TRANSISTOR 2SC1815GR-TPE2	
IC501	8-749-011-16	IC STK350-230		Q692	8-729-900-63	TRANSISTOR BN1F4M-TP	
IC601	8-759-636-74	IC NJM4565DD		Q701	8-729-119-76	TRANSISTOR 2SA1115TP-EF	
IC701	6-700-943-01	IC uPC2581V-S		Q702	8-729-141-30	TRANSISTOR 2SC3623ATP-LK	
IC702	6-700-943-01	IC uPC2581V-S		Q703	8-749-010-25	TRANSISTOR MN2488-OPY-M	
IC801	8-759-605-00	IC M5F78M07L		Q704	8-749-010-26	TRANSISTOR MP1620-OPY-M	
IC801	8-759-649-68	IC uPC78M07AHF		Q705	8-729-140-82	TRANSISTOR 2SA988TP-PAFAEA	
IC802	8-759-604-95	IC M5F79M07L		Q706	8-729-140-82	TRANSISTOR 2SA988TP-PAFAEA	
< JACK >				Q710	8-729-119-79	TRANSISTOR 2SC2785TP-FEK	
J401	1-779-380-11	JACK, PIN 6P (MULTI CH IN)		Q722	8-729-140-84	TRANSISTOR 2SC1841TP-PAFAEA	
J402	1-770-614-11	JACK, PIN 4P (CD, MD/TAPE OUT)		Q723	8-729-119-79	TRANSISTOR 2SC2785TP-FEK	
J403	1-770-614-11	JACK, PIN 4P (MD/TAPE IN, DVD/LD IN)		Q725	8-729-140-82	TRANSISTOR 2SA988TP-PAFAEA	
J404	1-779-380-11	JACK, PIN 6P (VIDEO 2 IN, VIDEO 1 IN/OUT)		Q740	8-729-281-53	TRANSISTOR 2SC1815GR-TPE2	
J405	1-774-843-11	JACK, PIN 1P (SUBWOOFER)		Q747	8-729-900-63	TRANSISTOR BN1F4M-TP	
< COIL >				Q748	8-729-900-36	TRANSISTOR BA1F4M-TP	
L521	1-422-009-13	COIL, AIR-CORE		Q750	8-729-281-53	TRANSISTOR 2SC1815GR-TPE2	
L601	1-422-009-13	COIL, AIR-CORE		Q751	8-729-119-76	TRANSISTOR 2SA1115TP-EF	
L651	1-422-009-13	COIL, AIR-CORE		Q752	8-729-141-30	TRANSISTOR 2SC3623ATP-LK	
L701	1-422-009-13	COIL, AIR-CORE		Q753	8-749-010-25	TRANSISTOR MN2488-OPY-M	
L751	1-422-009-13	COIL, AIR-CORE		Q754	8-749-010-26	TRANSISTOR MP1620-OPY-M	
< TRANSISTOR >				Q755	8-729-140-82	TRANSISTOR 2SA988TP-PAFAEA	
Q361	8-729-823-22	TRANSISTOR 2SC3576-AC		Q756	8-729-140-82	TRANSISTOR 2SA988TP-PAFAEA	
Q362	8-729-823-22	TRANSISTOR 2SC3576-AC		Q790	8-729-119-79	TRANSISTOR 2SC2785TP-FEK	
Q363	8-729-823-22	TRANSISTOR 2SC3576-AC		Q801	8-729-140-97	TRANSISTOR 2SB734-T-34	
Q364	8-729-823-22	TRANSISTOR 2SC3576-AC		< RESISTOR >			
Q365	8-729-823-22	TRANSISTOR 2SC3576-AC		R360	1-249-441-11	CARBON 100K 5% 1/4W	
Q366	8-729-823-22	TRANSISTOR 2SC3576-AC		R361	1-249-425-11	CARBON 4.7K 5% 1/4W F	
Q379	8-729-900-63	TRANSISTOR BN1F4M-TP		R362	1-249-425-11	CARBON 4.7K 5% 1/4W F	
Q471	8-729-823-22	TRANSISTOR 2SC3576-AC		R363	1-249-441-11	CARBON 100K 5% 1/4W	
Q501	8-729-119-76	TRANSISTOR 2SA1115TP-EF		R366	1-249-429-11	CARBON 10K 5% 1/4W	
Q502	8-729-141-30	TRANSISTOR 2SC3623ATP-LK		R367	1-249-441-11	CARBON 100K 5% 1/4W	
Q503	8-749-010-25	TRANSISTOR MN2488-OPY-M		R368	1-249-437-11	CARBON 47K 5% 1/4W	
Q504	8-749-010-26	TRANSISTOR MP1620-OPY-M		R369	1-249-425-11	CARBON 4.7K 5% 1/4W F	
Q505	8-729-140-82	TRANSISTOR 2SA988TP-PAFAEA		R370	1-249-425-11	CARBON 4.7K 5% 1/4W F	
Q506	8-729-140-82	TRANSISTOR 2SA988TP-PAFAEA		R371	1-249-441-11	CARBON 100K 5% 1/4W	
Q540	8-729-281-53	TRANSISTOR 2SC1815GR-TPE2		R372	1-249-441-11	CARBON 100K 5% 1/4W	
Q550	8-729-119-79	TRANSISTOR 2SC2785TP-FEK		R373	1-249-417-11	CARBON 1K 5% 1/4W F	
Q560	8-729-119-79	TRANSISTOR 2SC2785TP-FEK		R374	1-249-417-11	CARBON 1K 5% 1/4W F	
Q601	8-729-119-76	TRANSISTOR 2SA1115TP-EF		R375	1-249-417-11	CARBON 1K 5% 1/4W F	
Q602	8-729-141-30	TRANSISTOR 2SC3623ATP-LK		R376	1-249-417-11	CARBON 1K 5% 1/4W F	
Q603	8-749-010-25	TRANSISTOR MN2488-OPY-M		R377	1-249-417-11	CARBON 1K 5% 1/4W F	
				R378	1-249-417-11	CARBON 1K 5% 1/4W F	
				R379	1-249-425-11	CARBON 4.7K 5% 1/4W F	
				R380	1-249-441-11	CARBON 100K 5% 1/4W	
				R381	1-249-429-11	CARBON 10K 5% 1/4W	

Ref. No.	Part No.	Description	Remarks	Ref. No.	Part No.	Description	Remarks
R402	1-249-417-11	CARBON	1K 5% 1/4W F	R505	1-249-439-11	CARBON	68K 5% 1/4W
R404	1-249-417-11	CARBON	1K 5% 1/4W F	R510	1-249-421-11	CARBON	2.2K 5% 1/4W F
R405	1-249-417-11	CARBON	1K 5% 1/4W F	R511	1-249-440-11	CARBON	82K 5% 1/4W
R406	1-249-417-11	CARBON	1K 5% 1/4W F	R513	1-249-414-11	CARBON	560 5% 1/4W F
R407	1-249-417-11	CARBON	1K 5% 1/4W F	△R514	1-249-405-11	CARBON	100 5% 1/4W F
R408	1-249-417-11	CARBON	1K 5% 1/4W F	△R515	1-249-405-11	CARBON	100 5% 1/4W F
R409	1-249-417-11	CARBON	1K 5% 1/4W F	△R516	1-234-182-11	ENCAPSULATED COMPONENT	
R411	1-249-417-11	CARBON	1K 5% 1/4W F	△R517	1-249-393-11	CARBON	10 5% 1/4W F
R412	1-249-417-11	CARBON	1K 5% 1/4W F	R520	1-249-425-11	CARBON	4.7K 5% 1/4W F
R413	1-249-437-11	CARBON	47K 5% 1/4W	R521	1-247-850-11	CARBON	6.2K 5% 1/4W
R414	1-249-437-11	CARBON	47K 5% 1/4W	R522	1-249-419-11	CARBON	1.5K 5% 1/4W F
R415	1-249-437-11	CARBON	47K 5% 1/4W	R524	1-249-431-11	CARBON	15K 5% 1/4W
R416	1-249-437-11	CARBON	47K 5% 1/4W	R525	1-249-439-11	CARBON	68K 5% 1/4W
R417	1-249-437-11	CARBON	47K 5% 1/4W	△R528	1-249-389-11	CARBON	4.7 5% 1/4W F
R418	1-249-437-11	CARBON	47K 5% 1/4W	R531	1-249-425-11	CARBON	4.7K 5% 1/4W F
R419	1-249-437-11	CARBON	47K 5% 1/4W	R532	1-249-425-11	CARBON	4.7K 5% 1/4W F
R420	1-249-437-11	CARBON	47K 5% 1/4W	R533	1-249-437-11	CARBON	47K 5% 1/4W
R422	1-249-437-11	CARBON	47K 5% 1/4W	△R534	1-249-389-11	CARBON	4.7 5% 1/4W F
R424	1-249-437-11	CARBON	47K 5% 1/4W	R540	1-249-435-11	CARBON	33K 5% 1/4W
R425	1-249-437-11	CARBON	47K 5% 1/4W	R546	1-249-422-11	CARBON	2.7K 5% 1/4W F (K740P)
R426	1-249-437-11	CARBON	47K 5% 1/4W	R546	1-247-843-11	CARBON	3.3K 5% 1/4W (K840P)
R427	1-249-437-11	CARBON	47K 5% 1/4W	R555	1-249-433-11	CARBON	22K 5% 1/4W
R431	1-249-417-11	CARBON	1K 5% 1/4W F	R556	1-249-433-11	CARBON	22K 5% 1/4W
R432	1-249-417-11	CARBON	1K 5% 1/4W F	R557	1-249-431-11	CARBON	15K 5% 1/4W
R435	1-249-437-11	CARBON	47K 5% 1/4W	R573	1-249-437-11	CARBON	47K 5% 1/4W
R436	1-249-437-11	CARBON	47K 5% 1/4W	R601	1-249-417-11	CARBON	1K 5% 1/4W F
R442	1-249-437-11	CARBON	47K 5% 1/4W	R602	1-249-439-11	CARBON	68K 5% 1/4W
R444	1-249-437-11	CARBON	47K 5% 1/4W	R603	1-249-416-11	CARBON	820 5% 1/4W F (K740P)
R445	1-249-437-11	CARBON	47K 5% 1/4W	R603	1-249-414-11	CARBON	560 5% 1/4W F (K840P)
R446	1-249-437-11	CARBON	47K 5% 1/4W	R604	1-249-439-11	CARBON	68K 5% 1/4W
R447	1-249-437-11	CARBON	47K 5% 1/4W	R610	1-249-421-11	CARBON	2.2K 5% 1/4W F
R452	1-249-417-11	CARBON	1K 5% 1/4W F	R611	1-249-440-11	CARBON	82K 5% 1/4W
R454	1-249-417-11	CARBON	1K 5% 1/4W F	R613	1-249-414-11	CARBON	560 5% 1/4W F
R455	1-249-417-11	CARBON	1K 5% 1/4W F	△R614	1-249-405-11	CARBON	100 5% 1/4W F
R456	1-249-417-11	CARBON	1K 5% 1/4W F	△R615	1-249-405-11	CARBON	100 5% 1/4W F
R457	1-249-417-11	CARBON	1K 5% 1/4W F	△R616	1-234-182-11	ENCAPSULATED COMPONENT	
R458	1-249-417-11	CARBON	1K 5% 1/4W F	△R617	1-249-393-11	CARBON	10 5% 1/4W F
R459	1-249-417-11	CARBON	1K 5% 1/4W F	△R618	1-249-389-11	CARBON	4.7 5% 1/4W F
R461	1-249-417-11	CARBON	1K 5% 1/4W F	R620	1-249-425-11	CARBON	4.7K 5% 1/4W F
R462	1-249-417-11	CARBON	1K 5% 1/4W F	R621	1-247-850-11	CARBON	6.2K 5% 1/4W
R463	1-249-437-11	CARBON	47K 5% 1/4W	R622	1-249-419-11	CARBON	1.5K 5% 1/4W F
R464	1-249-437-11	CARBON	47K 5% 1/4W	R623	1-249-437-11	CARBON	47K 5% 1/4W
R469	1-249-417-11	CARBON	1K 5% 1/4W F	R624	1-249-431-11	CARBON	15K 5% 1/4W
R470	1-249-437-11	CARBON	47K 5% 1/4W	R625	1-249-439-11	CARBON	68K 5% 1/4W
R471	1-249-417-11	CARBON	1K 5% 1/4W F	R631	1-249-425-11	CARBON	4.7K 5% 1/4W F
R472	1-249-417-11	CARBON	1K 5% 1/4W F	△R634	1-249-389-11	CARBON	4.7 5% 1/4W F
R473	1-249-421-11	CARBON	2.2K 5% 1/4W F	R638	1-249-439-11	CARBON	68K 5% 1/4W
R474	1-249-432-11	CARBON	18K 5% 1/4W	R640	1-249-435-11	CARBON	33K 5% 1/4W
R475	1-249-421-11	CARBON	2.2K 5% 1/4W F	R648	1-249-422-11	CARBON	2.7K 5% 1/4W F (K740P)
R499	1-249-437-11	CARBON	47K 5% 1/4W	R648	1-247-843-11	CARBON	3.3K 5% 1/4W (K840P)
R501	1-249-417-11	CARBON	1K 5% 1/4W F				
R502	1-249-439-11	CARBON	68K 5% 1/4W				
R503	1-249-416-11	CARBON	820 5% 1/4W F (K740P)				
R503	1-249-414-11	CARBON	560 5% 1/4W F (K840P)				
R504	1-249-411-11	CARBON	330 5% 1/4W				

The components identified by mark △ or dotted line with mark △ are critical for safety. Replace only with part number specified.

Les composants identifiés par une marque △ sont critiques pour la sécurité. Ne les remplacer que par une pièce portant le numéro spécifié.

STR-K740P/K840P

MAIN

Ref. No.	Part No.	Description	Quantity	Material	Remarks	Ref. No.	Part No.	Description	Quantity	Material	Remarks
R651	1-249-417-11	CARBON	1K	5%	1/4W F	R722	1-249-419-11	CARBON	1.5K	5%	1/4W F
R652	1-249-439-11	CARBON	68K	5%	1/4W	R723	1-249-437-11	CARBON	47K	5%	1/4W
R653	1-249-416-11	CARBON	820	5%	1/4W F	R724	1-249-431-11	CARBON	15K	5%	1/4W
R653	1-249-414-11	CARBON	560	5%	1/4W F (K740P)	R725	1-249-439-11	CARBON	68K	5%	1/4W
R654	1-249-439-11	CARBON	68K	5%	1/4W	R731	1-249-425-11	CARBON	4.7K	5%	1/4W F
R655	1-249-433-11	CARBON	22K	5%	1/4W	△ R732	1-249-381-11	CARBON	1	5%	1/4W F
R656	1-249-433-11	CARBON	22K	5%	1/4W	△ R733	1-249-381-11	CARBON	1	5%	1/4W F
R657	1-249-431-11	CARBON	15K	5%	1/4W	△ R734	1-249-389-11	CARBON	4.7	5%	1/4W F
R660	1-249-421-11	CARBON	2.2K	5%	1/4W F	R735	1-249-427-11	CARBON	6.8K	5%	1/4W F
R661	1-249-440-11	CARBON	82K	5%	1/4W	R736	1-249-417-11	CARBON	1K	5%	1/4W F
R663	1-249-414-11	CARBON	560	5%	1/4W F	R737	1-249-436-11	CARBON	39K	5%	1/4W
△ R664	1-249-405-11	CARBON	100	5%	1/4W F	R740	1-249-435-11	CARBON	33K	5%	1/4W
R665	1-249-405-11	CARBON	100	5%	1/4W F	R742	1-249-437-11	CARBON	47K	5%	1/4W
△ R666	1-234-182-11	ENCAPSULATED COMPONENT				R743	1-249-433-11	CARBON	22K	5%	1/4W
△ R667	1-249-393-11	CARBON	10	5%	1/4W F	R744	1-249-433-11	CARBON	22K	5%	1/4W
△ R668	1-249-389-11	CARBON	4.7	5%	1/4W F	R745	1-249-433-11	CARBON	22K	5%	1/4W
R669	1-249-425-11	CARBON	4.7K	5%	1/4W F	R746	1-249-433-11	CARBON	22K	5%	1/4W
R671	1-247-850-11	CARBON	6.2K	5%	1/4W	R747	1-249-431-11	CARBON	15K	5%	1/4W
R672	1-249-419-11	CARBON	1.5K	5%	1/4W F	R748	1-249-422-11	CARBON	2.7K	5%	1/4W F
R673	1-249-437-11	CARBON	47K	5%	1/4W	R748	1-247-843-11	CARBON	3.3K	5%	1/4W (K740P)
R674	1-249-431-11	CARBON	15K	5%	1/4W	R750	1-249-435-11	CARBON	33K	5%	1/4W
R675	1-249-433-11	CARBON	22K	5%	1/4W	R751	1-249-417-11	CARBON	1K	5%	1/4W F
R676	1-249-433-11	CARBON	22K	5%	1/4W	R752	1-249-439-11	CARBON	68K	5%	1/4W
R677	1-249-431-11	CARBON	15K	5%	1/4W	R753	1-249-416-11	CARBON	820	5%	1/4W F
R680	1-249-435-11	CARBON	33K	5%	1/4W	R753	1-249-414-11	CARBON	560	5%	1/4W F (K840P)
R681	1-249-422-11	CARBON	2.7K	5%	1/4W F (K740P)	R754	1-249-439-11	CARBON	68K	5%	1/4W
R681	1-247-843-11	CARBON	3.3K	5%	1/4W (K840P)	R755	1-249-433-11	CARBON	22K	5%	1/4W
R691	1-215-888-00	METAL OXIDE	220	5%	2W	R756	1-249-433-11	CARBON	22K	5%	1/4W
R692	1-215-889-00	METAL OXIDE	330	5%	2W	R757	1-249-431-11	CARBON	15K	5%	1/4W
R693	1-249-417-11	CARBON	1K	5%	1/4W F	R758	1-249-422-11	CARBON	2.7K	5%	1/4W F (K740P)
R694	1-249-429-11	CARBON	10K	5%	1/4W	R758	1-247-843-11	CARBON	3.3K	5%	1/4W (K840P)
R695	1-249-429-11	CARBON	10K	5%	1/4W	R760	1-249-421-11	CARBON	2.2K	5%	1/4W F
R696	1-249-433-11	CARBON	22K	5%	1/4W	R761	1-249-440-11	CARBON	82K	5%	1/4W
R697	1-249-417-11	CARBON	1K	5%	1/4W F	R763	1-249-414-11	CARBON	560	5%	1/4W F
R698	1-249-417-11	CARBON	1K	5%	1/4W F	△ R764	1-249-405-11	CARBON	100	5%	1/4W F
R701	1-249-417-11	CARBON	1K	5%	1/4W F	△ R765	1-249-405-11	CARBON	100	5%	1/4W F
R702	1-249-439-11	CARBON	68K	5%	1/4W	△ R766	1-234-182-11	ENCAPSULATED COMPONENT			
R703	1-249-416-11	CARBON	820	5%	1/4W F (K740P)	△ R767	1-249-393-11	CARBON	10	5%	1/4W F
R703	1-249-414-11	CARBON	560	5%	1/4W F (K840P)	△ R768	1-249-389-11	CARBON	4.7	5%	1/4W F
R704	1-249-439-11	CARBON	68K	5%	1/4W	R769	1-249-425-11	CARBON	4.7K	5%	1/4W F
R710	1-249-421-11	CARBON	2.2K	5%	1/4W F	R770	1-249-437-11	CARBON	47K	5%	1/4W
R711	1-249-440-11	CARBON	82K	5%	1/4W	R771	1-247-850-11	CARBON	6.2K	5%	1/4W
R713	1-249-414-11	CARBON	560	5%	1/4W F	R772	1-249-419-11	CARBON	1.5K	5%	1/4W F
△ R714	1-249-405-11	CARBON	100	5%	1/4W F	R773	1-249-437-11	CARBON	47K	5%	1/4W
△ R715	1-249-405-11	CARBON	100	5%	1/4W F	R775	1-249-439-11	CARBON	68K	5%	1/4W
△ R716	1-234-182-11	ENCAPSULATED COMPONENT				R778	1-249-431-11	CARBON	15K	5%	1/4W
△ R717	1-249-393-11	CARBON	10	5%	1/4W F	R780	1-249-429-11	CARBON	10K	5%	1/4W
△ R718	1-249-389-11	CARBON	4.7	5%	1/4W F	R791	1-249-425-11	CARBON	4.7K	5%	1/4W F
R719	1-249-425-11	CARBON	4.7K	5%	1/4W F	R792	1-215-867-00	METAL OXIDE	470	5%	1W
R721	1-247-850-11	CARBON	6.2K	5%	1/4W	R792	1-215-868-00	METAL OXIDE	680	5%	1W (K840P)

The components identified by mark △ or dotted line with mark △ are critical for safety. Replace only with part number specified.

Les composants identifiés par une marque △ sont critiques pour la sécurité. Ne les remplacer que par une pièce portant le numéro spécifié.

MAIN

POWER SW

STANDBY

Ref. No.	Part No.	Description	Remarks
△ R793	1-249-389-11	CARBON	4.7 5% 1/4W F
R794	1-215-867-00	METAL OXIDE	470 5% 1W (K740P)
R794	1-215-868-00	METAL OXIDE	680 5% 1W (K840P)
△ R802	1-249-381-11	CARBON	1 5% 1/4W F
△ R803	1-249-389-11	CARBON	4.7 5% 1/4W F
R804	1-249-426-11	CARBON	5.6K 5% 1/4W
△ R910	1-243-635-11	FUSIBLE	0.33 5% 1/2W
RR11	1-249-393-11	CARBON	10 5% 1/4W F (K740P:AEP,UK/K840P:AEP,UK)
△ RR12	1-249-393-11	CARBON	10 5% 1/4W F (K740P:AEP,UK/K840P:AEP,UK)
△ RR13	1-249-393-11	CARBON	10 5% 1/4W F (K740P:AEP,UK/K840P:AEP,UK)
△ RR14	1-249-393-11	CARBON	10 5% 1/4W F (K740P:AEP,UK/K840P:AEP,UK)
△ RR15	1-249-393-11	CARBON	10 5% 1/4W F (K740P:AEP,UK/K840P:AEP,UK)
< RELAY >			
RY501	1-755-170-11	RELAY (12V)	
RY560	1-755-267-11	RELAY	
RY601	1-755-170-11	RELAY (12V)	
RY701	1-755-170-11	RELAY (12V)	
RY791	1-755-170-11	RELAY (12V)	
< TERMINAL >			
TM601	1-537-510-11	TERMINAL BOARD (SPEAKER) (6P) (SPEAKERS SURROUND/CENTER)	
TM602	1-537-925-61	TERMINAL BOARD (SPEAKERS FRONT)	

1-683-759-11	POWER SW BOARD		*****
< CONNECTOR >			
CNP104	1-691-766-11	PLUG (MICRO CONNECTOR) 4P	
< RESISTOR >			
R138	1-249-425-11	CARBON	4.7K 5% 1/4W F
R139	1-249-429-11	CARBON	10K 5% 1/4W
< SWITCH >			
S143	1-771-410-21	SWITCH, TACTILE (DISPLAY)	
S144	1-771-410-21	SWITCH, TACTILE (DIMMER)	
S145	1-771-410-21	SWITCH, TACTILE (I/⏻)	

Ref. No.	Part No.	Description	Remarks
A-4676-982-A	STANDBY BOARD, COMPLETE (K840P:MX)		*****
A-4727-969-A	STANDBY BOARD, COMPLETE (K740P:MY,SP/K840P:MY,SP,AR)		*****
A-4727-972-A	STANDBY BOARD, COMPLETE (K740P:E/K840P:E)		*****
A-4727-979-A	STANDBY BOARD, COMPLETE (K740P:AEP,UK/K840P:AEP,UK)		*****
A-4727-816-A	STANDBY BOARD, COMPLETE (K740P:US,CND/K840P:US,CND)		*****
1-533-293-11	FUSE HOLDER		
< CAPACITOR >			
C813	1-164-159-11	CERAMIC	0.1uF 50V
C814	1-164-159-11	CERAMIC	0.1uF 50V
C815	1-126-943-11	ELECT	2200uF 20.00% 25V
C816	1-126-941-11	ELECT	470uF 20.00% 25V
C920	1-164-159-11	CERAMIC	0.1uF 50V
C921	1-164-159-11	CERAMIC	0.1uF 50V
C923	1-126-948-11	ELECT	100uF 20.00% 35V
C950	1-126-936-11	ELECT	3300uF 20.00% 16V
< CONNECTOR >			
CNP901	1-564-321-00	PIN, CONNECTOR 2P	
* CNP902	1-565-792-11	PIN, CONNECTOR 2P	
CNP903	1-564-506-11	PLUG, CONNECTOR 3P	
CNP905	1-766-203-11	PLUG,CONNECTOR PIN(PC BOARD)5P	
CNP906	1-784-921-11	PIN, CONNECTOR 4P (K740P:E/K840P:E)	
CNP912	1-784-921-11	PIN, CONNECTOR 4P	
< DIODE >			
D820	8-719-024-99	DIODE 11ES2-NTA2B	
D821	8-719-024-99	DIODE 11ES2-NTA2B	
D822	8-719-024-99	DIODE 11ES2-NTA2B	
D823	8-719-024-99	DIODE 11ES2-NTA2B	
D898	8-719-024-99	DIODE 11ES2-NTA2B	
D899	8-719-024-99	DIODE 11ES2-NTA2B	
D901	8-719-911-19	DIODE 1SS133T-72	
D910	8-719-024-99	DIODE 11ES2-NTA2B	
D911	8-719-024-99	DIODE 11ES2-NTA2B	
D912	8-719-024-99	DIODE 11ES2-NTA2B	
D913	8-719-024-99	DIODE 11ES2-NTA2B	
D914	8-719-911-19	DIODE 1SS133T-72	
D915	8-719-911-19	DIODE 1SS133T-72	
< FUSE >			
△ F901	1-532-464-31	FUSE (T) 2.5A/250V (EXCEPT K740P:US,CND/K840P:US,CND,MX)	
△ F901	1-533-454-11	FUSE, GLASS TUBE (DIA. 5) 6.3A/125V (K740P:US,CND/K840P:US,CND,MX)	
< EARTH >			
* G901	1-537-738-21	TERMINAL, EARTH	

The components identified by mark △ or dotted line with mark △ are critical for safety. Replace only with part number specified.	Les composants identifiés par une marque △ sont critiques pour la sécurité. Ne les remplacer que par une pièce portant le numéro spécifié.
--	--

STR-K740P/K840P

STANDBY **VIDEO**

Ref. No.	Part No.	Description	Remarks
< TRANSISTOR >			
Q901	8-729-119-79	TRANSISTOR	2SC2785TP-FEK
Q921	8-729-281-53	TRANSISTOR	2SC1815GR-TPE2
< RESISTOR >			
△ R810	1-240-877-11	FUSIBLE	0.15 5% 1/2W
△ R811	1-240-877-11	FUSIBLE	0.15 5% 1/2W
△ R812	1-240-877-11	FUSIBLE	0.15 5% 1/2W
△ R901	1-219-237-91	SOLID	3.3M 20% 1/2W
R902	1-249-437-11	CARBON	(K740P:US,CND/K840P:US,CND) 47K 5% 1/4W
R903	1-249-425-11	CARBON	4.7K 5% 1/4W F
△ R904	1-249-381-11	CARBON	1 5% 1/4W F
R921	1-249-425-11	CARBON	4.7K 5% 1/4W F
R922	1-249-425-11	CARBON	4.7K 5% 1/4W F
R923	1-249-425-11	CARBON	4.7K 5% 1/4W F
< RELAY >			
△ RY901	1-755-276-11	RELAY, POWER	
< TRANSFORMER >			
△ T902	1-435-436-11	TRANSFORMER, POWER	(K740P:US,CND/K840P:US,CND,MX)
△ T902	1-435-434-11	TRANSFORMER, POWER	(K740P:E/K840P:E)
△ T902	1-435-435-11	TRANSFORMER, POWER	(K740P:AEP,UK,MY,SP/K840P:AEP,UK,MY,SP,AR)

A-4727-968-A	VIDEO BOARD, COMPLETE (K740P:AEP,UK,E,MY,SP/K840P:AEP,UK,E,MY,SP,AR)		

A-4727-815-A	VIDEO BOARD, COMPLETE (K740P:CND,US/K840P:CND,US,MX)		

< CAPACITOR >			
C200	1-128-805-11	CERAMIC	47PF 5% 50V
C201	1-128-805-11	CERAMIC	47PF 5% 50V
C206	1-126-960-11	ELECT	1uF 20.00% 50V
C207	1-126-960-11	ELECT	1uF 20.00% 50V
C208	1-126-960-11	ELECT	1uF 20.00% 50V
C210	1-126-964-11	ELECT	10uF 20.00% 50V
C213	1-126-964-11	ELECT	10uF 20.00% 50V
C214	1-164-159-11	CERAMIC	0.1uF 50V
C215	1-164-159-11	CERAMIC	0.1uF 50V
C248	1-128-825-11	CERAMIC	2200PF 5% 50V
C249	1-128-825-11	CERAMIC	2200PF 5% 50V
C809	1-104-665-11	ELECT	100uF 20.00% 10V
C825	1-164-159-11	CERAMIC	0.1uF 50V
C827	1-126-947-11	ELECT	47uF 20.00% 25V
< CONNECTOR >			
CNP156	1-784-921-11	PIN, CONNECTOR	4P
CNS150	1-569-315-11	SOCKET, CONNECTOR	5P
< DIODE >			
D203	8-719-911-19	DIODE	1SS133T-72
D204	8-719-911-19	DIODE	1SS133T-72
D833	8-719-043-76	DIODE	AK04V1

Ref. No.	Part No.	Description	Remarks
< IC >			
IC103	6-701-890-01	IC	NJM2595D
IC804	8-759-701-65	IC	NJM79M05FA
IC807	8-759-039-69	IC	uPC7805AHF
IC807	8-759-231-53	IC	M5F7805L
IC807	8-759-701-75	IC	NJM7805FA
< JACK >			
J200	1-770-337-11	JACK, PIN 3P	(VIDEO 1 OUT, VIDEO 2 IN, DVD/LD IN)
J201	1-695-317-11	JACK, PIN 2P	(MONITOR OUT, VIDEO 1 IN)
< RESISTOR >			
R200	1-247-804-11	CARBON	75 5% 1/4W
R201	1-247-804-11	CARBON	75 5% 1/4W
R218	1-247-804-11	CARBON	75 5% 1/4W
R220	1-247-804-11	CARBON	75 5% 1/4W
R221	1-247-804-11	CARBON	75 5% 1/4W

<p>The components identified by mark △ or dotted line with mark △ are critical for safety. Replace only with part number specified.</p>	<p>Les composants identifiés par une marque △ sont critiques pour la sécurité. Ne les remplacer que par une pièce portant le numéro spécifié.</p>
---	---

<u>Ref. No.</u>	<u>Part No.</u>	<u>Description</u>	<u>Remarks</u>
		MISCELLANEOUS *****	
7	1-773-250-11	WIRE (FLAT TYPE) (27 CORE)	
57	1-575-662-31	WIRE (FLAT TYPE) (5 CORE) (K840P:AR,MX)	
57	1-769-844-11	WIRE (FLAT TYPE) (5 CORE) (K740P/K840P:US,CND,AEP,UK,E,MY,SP)	
59	1-693-577-21	TUNER PACK (K740P:US,CND,E/K840P:US,CND,E,MX)	
59	1-693-578-21	TUNER PACK (K740P:AEP,UK/K840P:AEP,UK)	
59	1-693-580-21	TUNER PACK (K740P:MY,SP/K840P:MY,SP,AR)	
60	1-769-940-11	WIRE (FLAT TYPE) (11 CORE) (EXCEPT K740P:AEP,UK/K840P:AEP,UK)	
60	1-773-004-11	WIRE (FLAT TYPE) (15 CORE) (K740P:AEP,UK/K840P:AEP,UK)	
△ 64	1-777-071-21	CORD, POWER (K740P:AEP,UK,E/K840P:AEP,UK,E,MY,SP)	
△ 64	1-783-820-11	CORD, POWER (K740P:US,CND/K840P:US,CND,MX)	
△ 64	1-783-941-12	CORD, POWER (K840P:AR)	
67	1-500-386-11	FILTER, CLAMP (FERRITE CORE) (K740P/K840P:US,CND,AEP,UK,E,MY,SP)	
△ T901	1-437-629-11	POWER TRANSFORMER (K840P:AR)	
△ T901	1-435-901-11	POWER, TRANSFORMER (K840P:E)	
△ T901	1-435-903-11	TRANSFORMER, POWER (K840P:AEP,UK,MY,SP)	
△ T901	1-435-905-11	TRANSFORMER, POWER (K840P:CND)	
△ T901	1-435-906-11	TRANSFORMER, POWER (K840P:US,MX)	
△ T901	1-437-639-11	POWER TRANSFORMER (K740P:US)	
△ T901	1-437-641-11	POWER TRANSFORMER (K740P:CND)	
△ T901	1-437-642-11	POWER TRANSFORMER (K740P:AEP,UK)	
FL101	1-518-718-11	INDICATOR TUBE, FLUORESCENT	

The components identified by mark △ or dotted line with mark △ are critical for safety. Replace only with part number specified.

Les composants identifiés par une marque △ sont critiques pour la sécurité. Ne les remplacer que par une pièce portant le numéro spécifié.

MEMO

STR-K740P/K840P

SONY[®]

SERVICE MANUAL

Ver 1.2 2003.09

*US Model
Canadian Model
AEP Model
UK Model
E Model*

SUPPLEMENT-1

File this supplement with the service manual.

Subject : Change of IC701, IC702.

(SPM-03064)

The IC701 and IC702 on the US model have been changed from μ PC2581V-S to STK350-030 in the process of production.

Based on these changes, the MAIN board and VIDEO board are changed and the STK board is added.

This SERVICE MANUAL SUPPLEMENT-1 only describes the changes made.


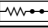

TABLE OF CONTENTS

1. Printed Wiring Boards –Main Section– 3
 2. Schematic Diagram –Main Section (1/2)– 4
 3. Schematic Diagram –Main Section (2/2)– 5
 4. Printed Wiring Board –STK Section– 6
 5. Schematic Diagram –STK Section– 7
 6. Printed Wiring Board –Video Section– 8
 7. Schematic Diagram –Video Section– 9
 8. Electrical Parts List 10

THIS NOTE IS COMMON FOR PRINTED WIRING BOARDS AND SCHEMATIC DIAGRAMS.
 (In addition to this necessary note is printed in each block.)

For schematic diagrams.

Note:






- All capacitors are in μF unless otherwise noted. p : pF. 50 WV or less are not indicated except for electrolytics and tantalums.
- All resistors are in Ω and $\frac{1}{4}W$ or less unless otherwise specified.
- % : indicates tolerance.
- Δ : internal component.
-  : nonflammable resistor.
-  : fusible resistor.
-  : panel designation.

Note:

The components identified by mark Δ or dotted line with mark Δ are critical for safety. Replace only with part number specified.

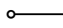

Note:

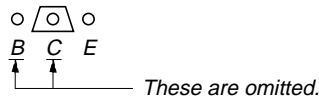
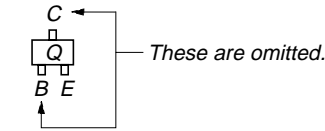
Les composants identifiés par une marque Δ sont critiques pour la sécurité. Ne les remplacer que par une pièce portant le numéro spécifié.

-  : B+ Line.
-  : B- Line.
- Voltages and waveforms are dc with respect to ground under no-signal (detuned) conditions.
No mark : FM
- Voltages are taken with a VOM (Input impedance 10 M Ω). Voltage variations may be noted due to normal production tolerances.
- Waveforms are taken with a oscilloscope.
- Circled numbers refer to waveforms.
- Signal path.
 : FM
 : CD (ANALOG)
 : DVD (DIGITAL)
- Abbreviation
CND : Canadian model
MY : Malaysia model
SP : Singapore model
AR : Argentine model
MX : Mexican model

For printed wiring boards.

Note:

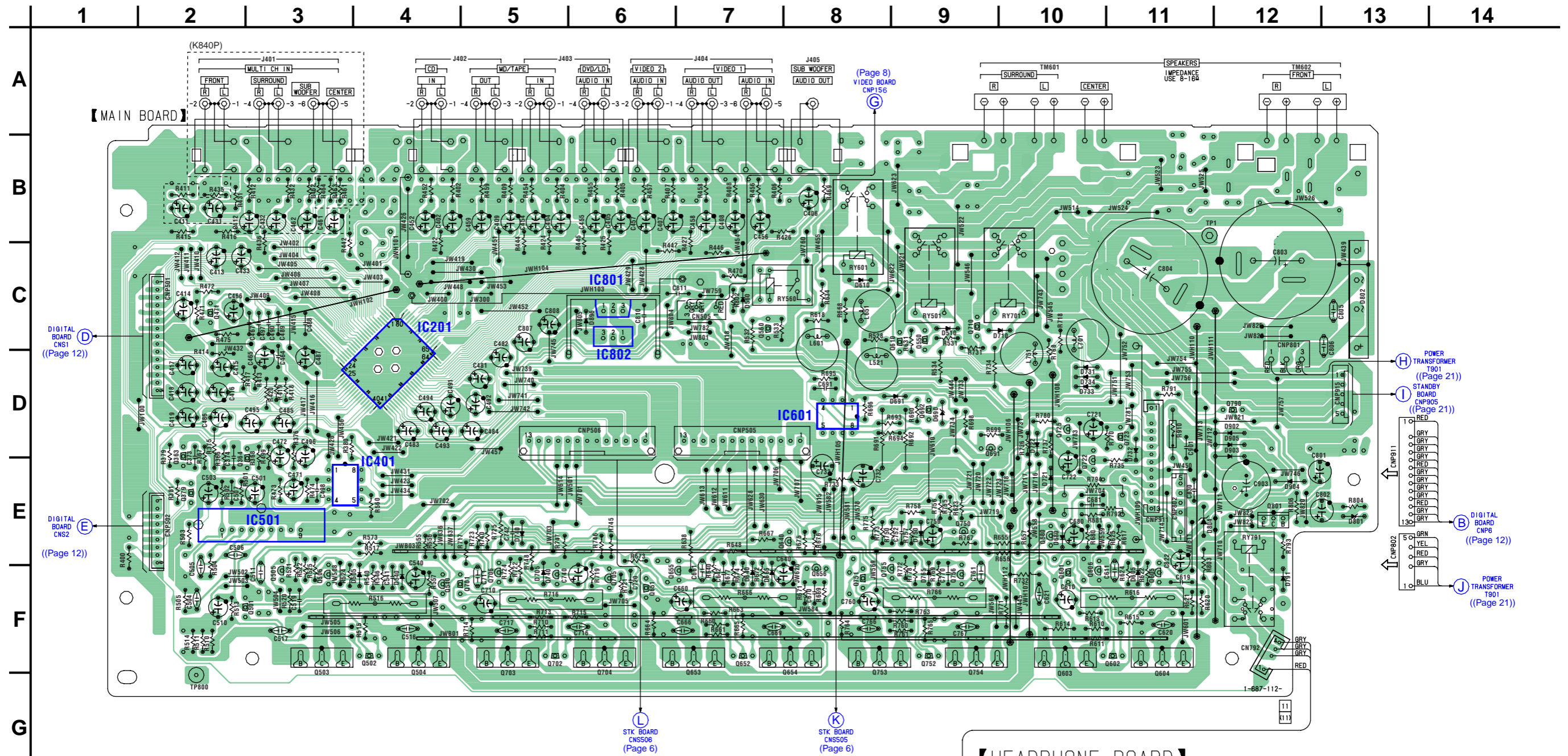
-  : parts extracted from the component side.
- \circ : Through hole.
- Δ : internal component.
-  : Pattern from the side which enables seeing.



Caution:

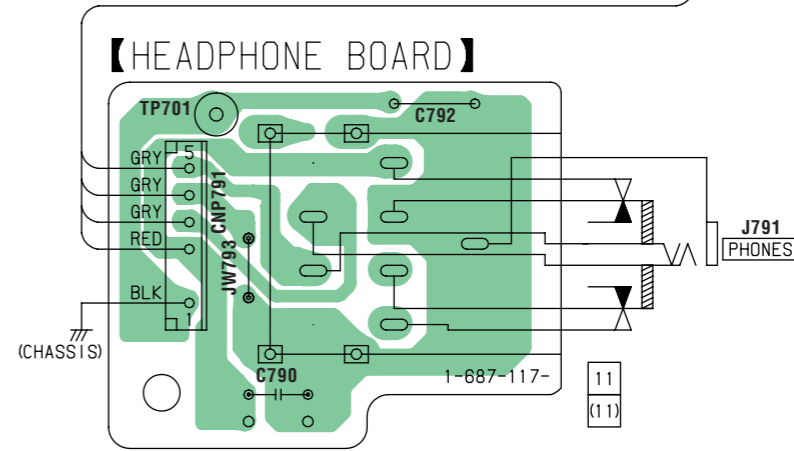
Pattern face side: Parts on the pattern face side seen from (Side A) the pattern face are indicated.
 Parts face side: Parts on the parts face side seen from (Side B) the parts face are indicated.

1. PRINTED WIRING BOARDS — MAIN SECTION — • Refer to page 2 for Common Note on Printed Wiring Boards.

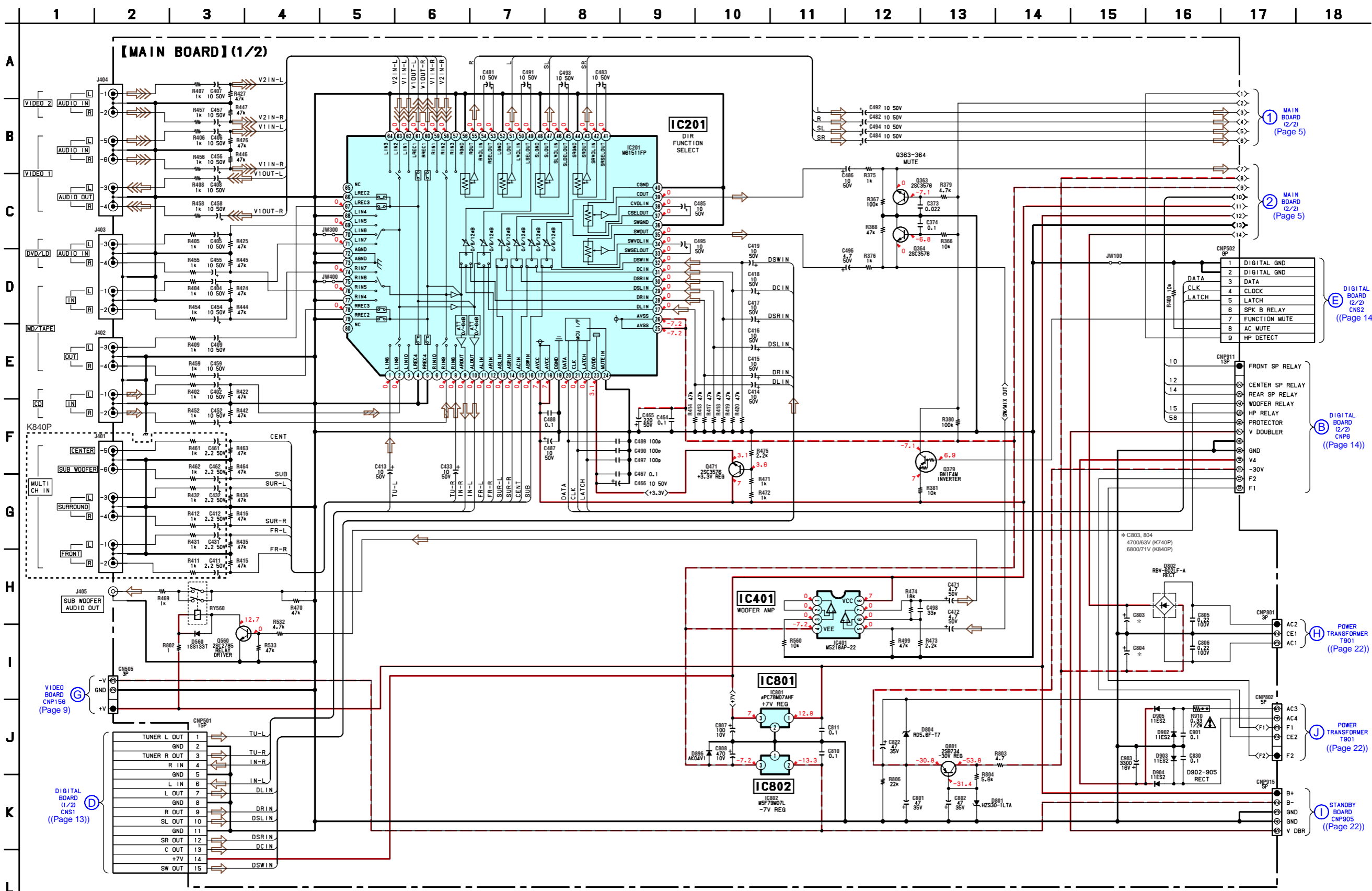


• Semiconductor Location

Ref. No.	Location	Ref. No.	Location	Ref. No.	Location	Ref. No.	Location	Ref. No.	Location
D505	F-4	D734	D-10	IC801	C-6	Q603	F-10	Q704	F-6
D510	C-9	D740	F-5	IC802	C-6	Q604	F-11	Q705	F-6
D540	F-4	D750	E-9	Q363	D-2	Q605	F-11	Q706	F-6
D560	C-7	D765	F-9	Q364	D-2	Q606	F-9	Q710	C-9
D605	F-11	D791	F-12	Q379	E-2	Q610	C-9	Q722	D-10
D610	C-8	D801	E-13	Q471	C-2	Q640	E-8	Q723	D-11
D640	F-7	D802	C-13	Q501	F-3	Q651	F-6	Q725	D-10
D665	F-7	D804	E-11	Q502	F-4	Q652	F-7	Q740	F-5
D680	E-10	D896	C-6	Q503	F-4	Q653	F-7	Q750	E-9
D690	D-9	D902	D-12	Q504	F-3	Q654	F-8	Q751	F-8
D691	D-9	D903	D-12	Q505	F-4	Q655	F-6	Q752	F-9
D705	E-5	D904	E-12	Q506	F-3	Q656	F-8	Q753	F-8
D710	C-10	D905	D-12	Q540	F-4	Q680	E-10	Q754	F-9
D721	E-10			Q540	F-4	Q691	D-9	Q755	F-9
D722	D-10	IC201	D-4	Q550	C-9	Q692	D-9	Q756	F-9
D731	D-10	IC401	E-3	Q560	C-7	Q701	F-5	Q790	D-12
D732	D-10	IC501	E-3	Q601	F-10	Q702	F-5	Q801	E-12
D733	D-10	IC601	D-8	Q602	F-11	Q703	F-5		



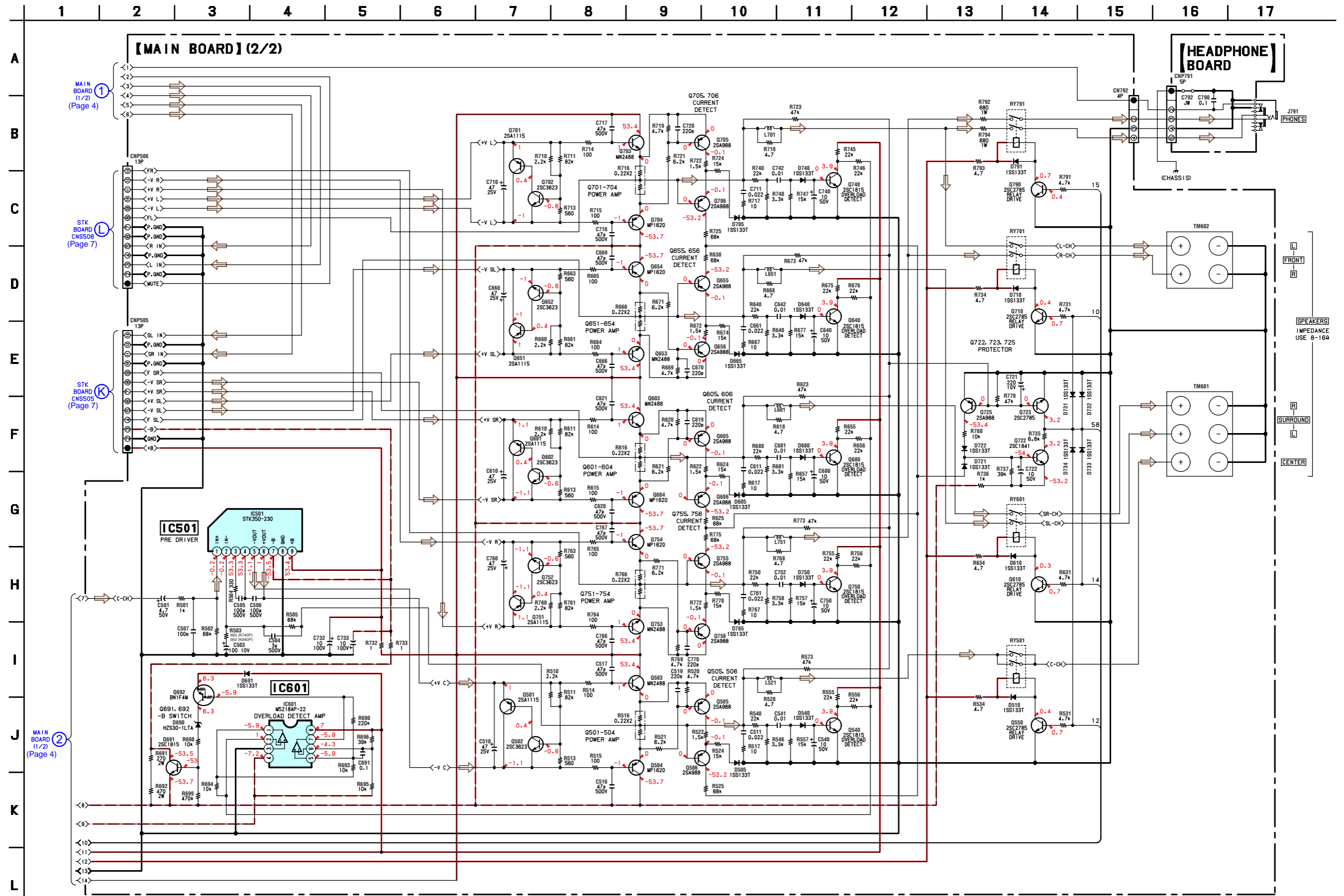
2. SCHEMATIC DIAGRAM — MAIN SECTION (1/2) — • Refer to page 2 for Common Note on Schematic Diagram.



The components identified by mark Δ or dotted line with mark Δ are critical for safety. Replace only with part number specified.

Les composants identifiés par une marque Δ sont critiques pour la sécurité. Ne les remplacer que par une pièce portant le numéro spécifié.

3. SCHEMATIC DIAGRAM — MAIN SECTION (2/2) — • Refer to page 2 for Common Note on Schematic Diagram.



MAIN BOARD (1/2) (Page 4)

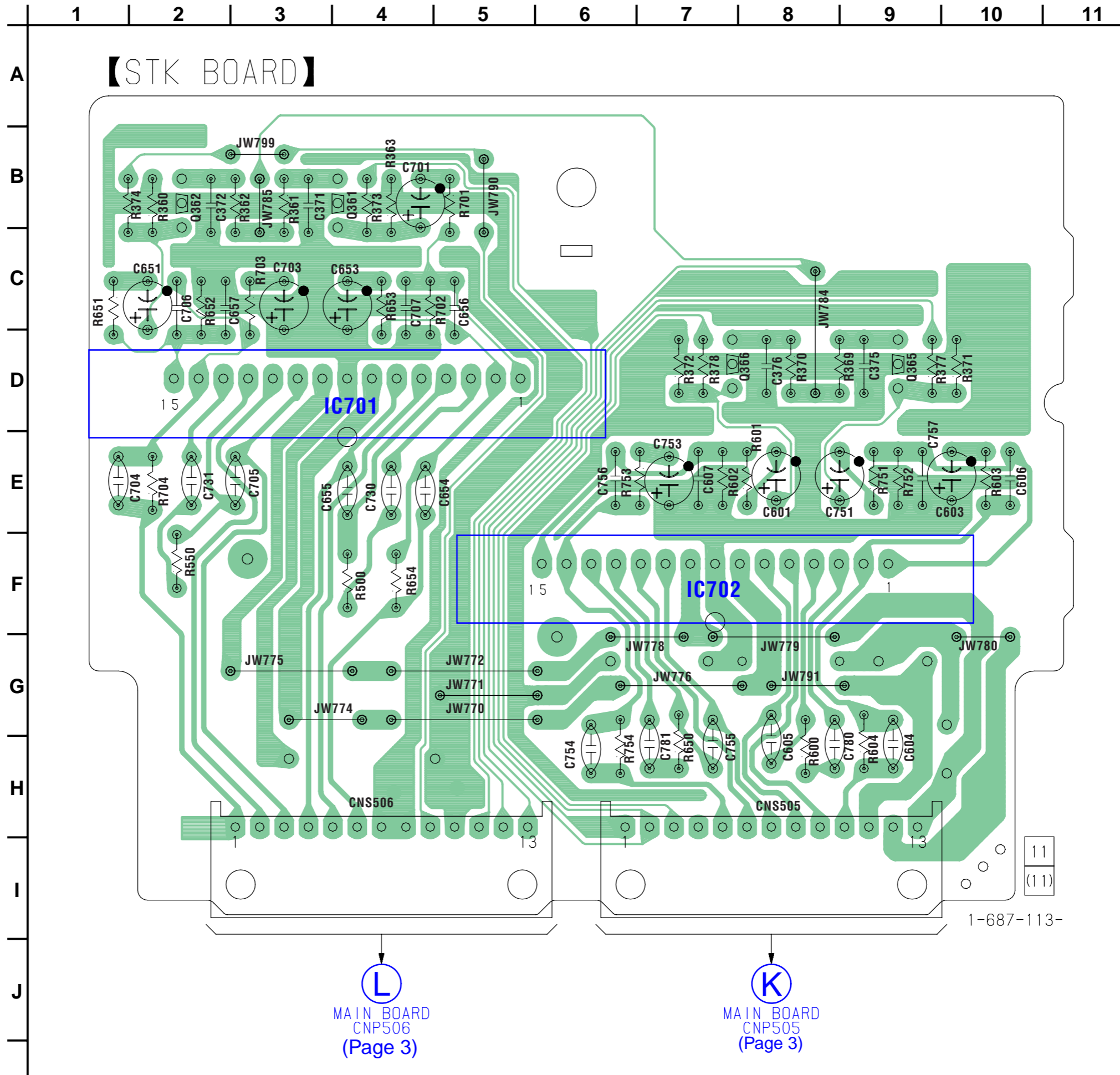
STK BOARD CNS506 (Page 7)

STK BOARD CNS505 (Page 7)

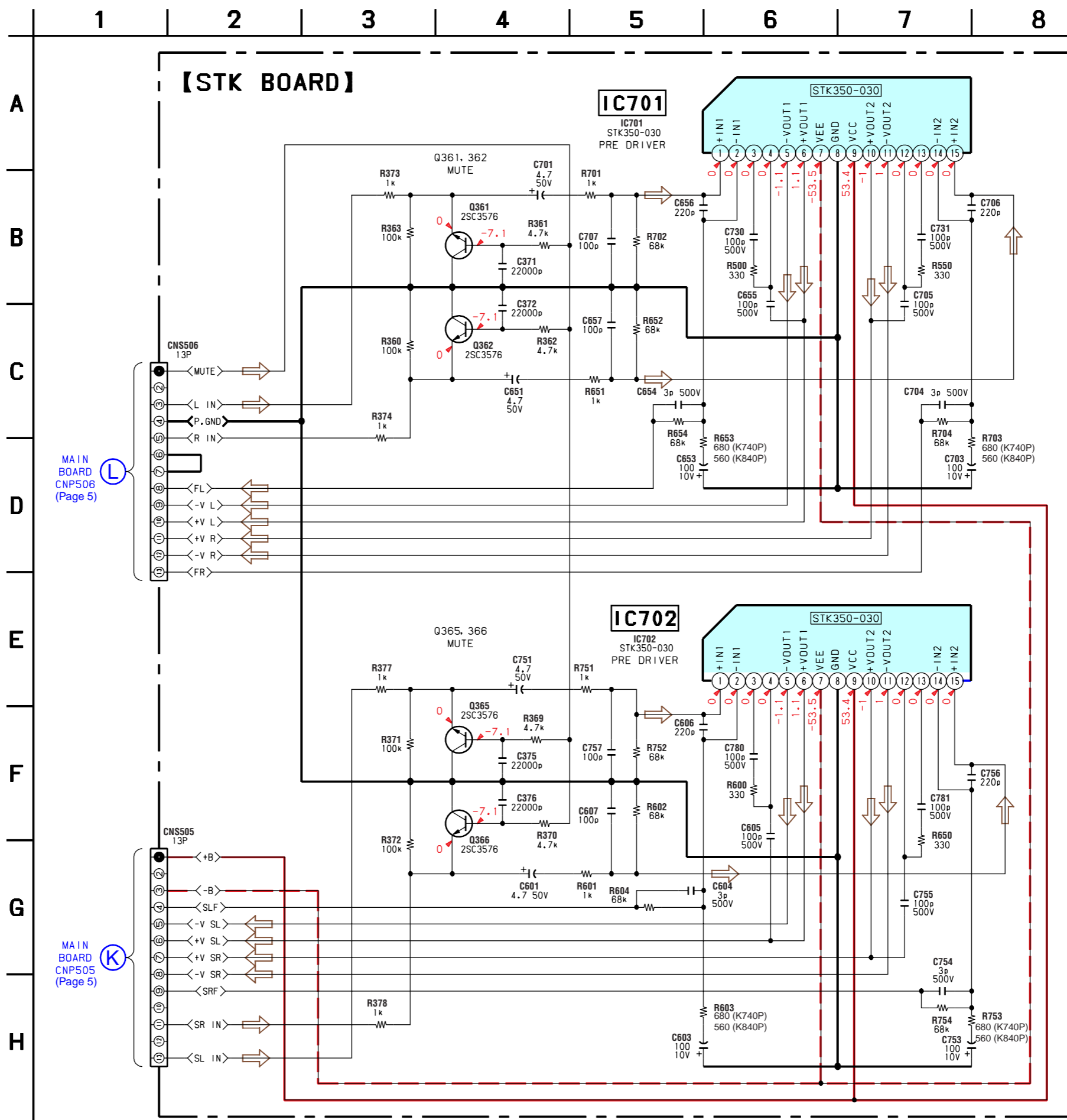
MAIN BOARD (1/2) (Page 4)

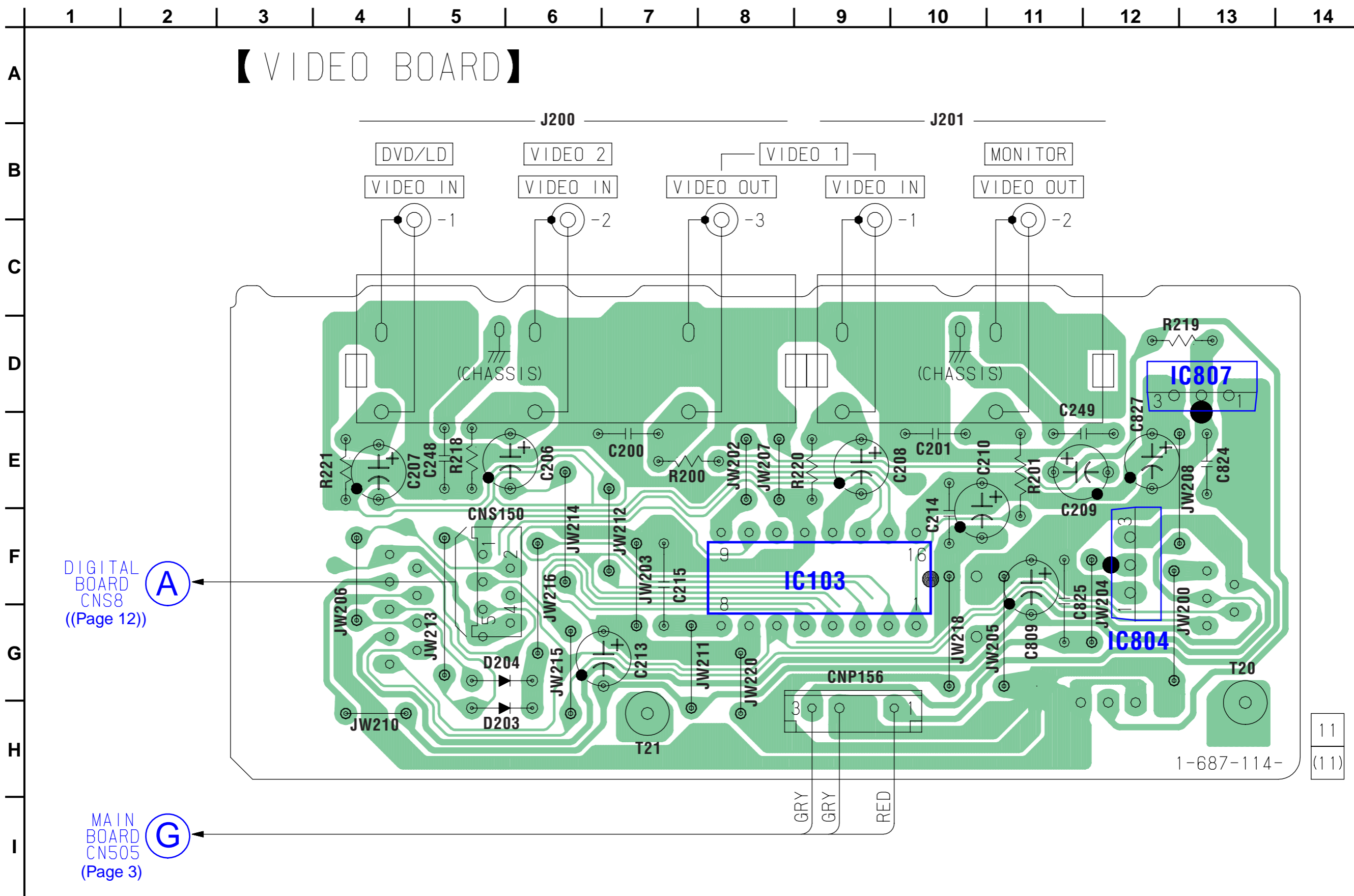
• Semiconductor Location

Ref. No.	Location
IC701	D-4
IC702	F-7
Q361	B-4
Q362	B-2
Q365	D-9
Q366	D-8

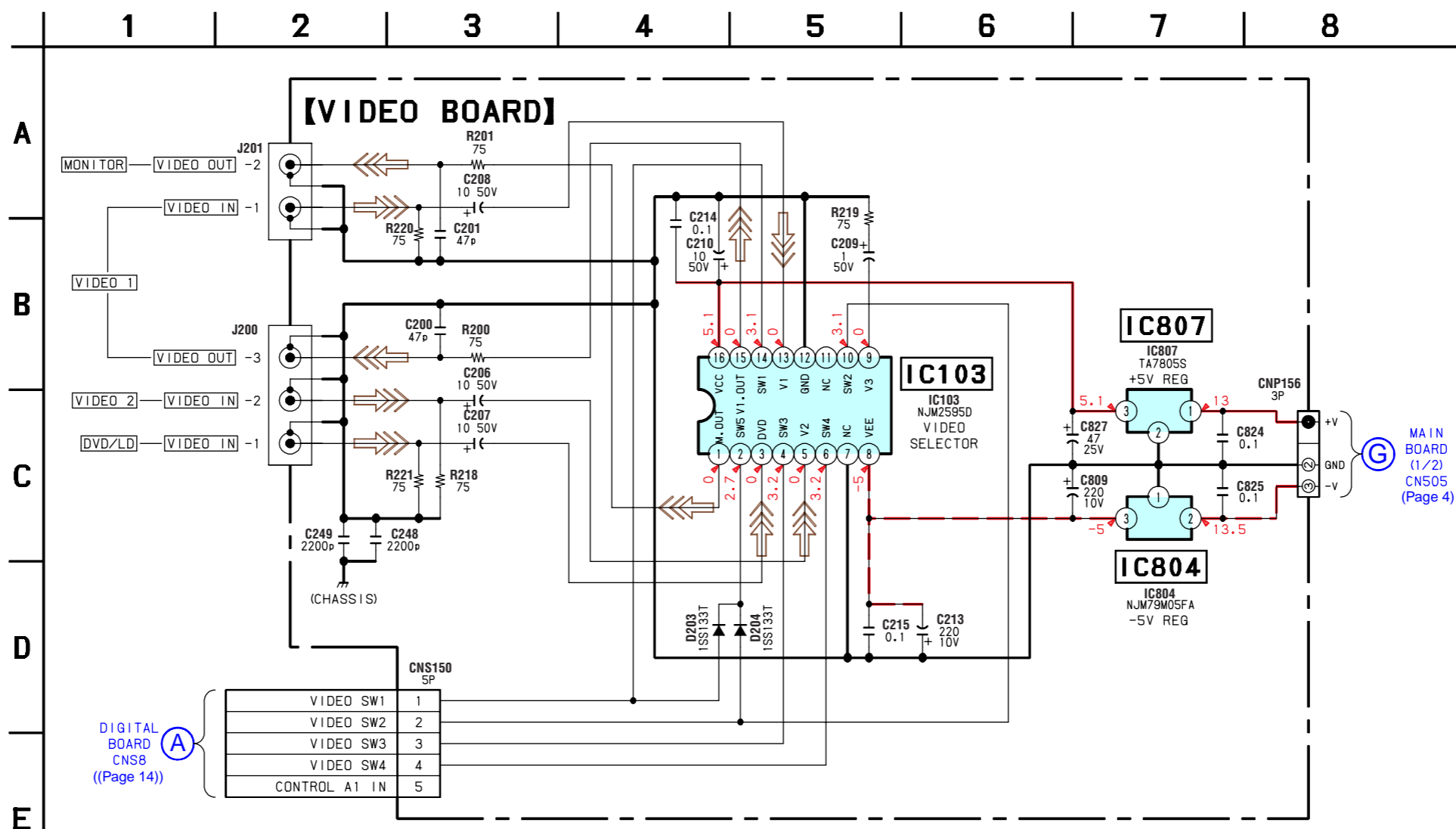


5. SCHEMATIC DIAGRAM — STK SECTION — • Refer to page 2 for Common Note on Schematic Diagram.





7. SCHEMATIC DIAGRAM — VIDEO SECTION — • Refer to page 2 for Common Note on Schematic Diagram.



DIGITAL BOARD CNS8 (Page 14)

MAIN BOARD (1/2) CNS505 (Page 4)

Ref. No.	Part No.	Description	Remark	Ref. No.	Part No.	Description	Remark
Q651	8-729-119-76	TRANSISTOR 2SA1175-HFE		R431	1-249-417-11	CARBON 1K 5%	1/4W (K840P)
Q652	8-729-141-30	TRANSISTOR 2SC3623A-LK		R432	1-249-417-11	CARBON 1K 5%	1/4W (K840P)
Q655	8-729-140-82	TRANSISTOR 2SA988-PAFAEA		R435	1-249-437-11	CARBON 47K 5%	1/4W
Q656	8-729-140-82	TRANSISTOR 2SA988-PAFAEA		R436	1-249-437-11	CARBON 47K 5%	1/4W
Q680	8-729-281-53	TRANSISTOR 2SC1815-GR		R442	1-249-437-11	CARBON 47K 5%	1/4W
Q691	8-729-281-53	TRANSISTOR 2SC1815-GR		R444	1-249-437-11	CARBON 47K 5%	1/4W
Q692	8-729-900-63	TRANSISTOR DTA124ES		R445	1-249-437-11	CARBON 47K 5%	1/4W
Q701	8-729-119-76	TRANSISTOR 2SA1175-HFE		R446	1-249-437-11	CARBON 47K 5%	1/4W
Q702	8-729-141-30	TRANSISTOR 2SC3623A-LK		R447	1-249-437-11	CARBON 47K 5%	1/4W
Q705	8-729-140-82	TRANSISTOR 2SA988-PAFAEA		R452	1-249-417-11	CARBON 1K 5%	1/4W
Q706	8-729-140-82	TRANSISTOR 2SA988-PAFAEA		R454	1-249-417-11	CARBON 1K 5%	1/4W
Q710	8-729-119-79	TRANSISTOR 2SC2785-FEK		R455	1-249-417-11	CARBON 1K 5%	1/4W
Q722	8-729-140-84	TRANSISTOR 2SC1841-PAFAEA		R456	1-249-417-11	CARBON 1K 5%	1/4W
Q723	8-729-119-79	TRANSISTOR 2SC2785-FEK		R457	1-249-417-11	CARBON 1K 5%	1/4W
Q725	8-729-140-82	TRANSISTOR 2SA988-PAFAEA		R458	1-249-417-11	CARBON 1K 5%	1/4W
Q740	8-729-281-53	TRANSISTOR 2SC1815-GR		R459	1-249-417-11	CARBON 1K 5%	1/4W
Q750	8-729-281-53	TRANSISTOR 2SC1815-GR		R461	1-249-417-11	CARBON 1K 5%	1/4W (K840P)
Q751	8-729-119-76	TRANSISTOR 2SA1175-HFE		R462	1-249-417-11	CARBON 1K 5%	1/4W (K840P)
Q752	8-729-141-30	TRANSISTOR 2SC3623A-LK		R463	1-249-437-11	CARBON 47K 5%	1/4W
Q755	8-729-140-82	TRANSISTOR 2SA988-PAFAEA		R464	1-249-437-11	CARBON 47K 5%	1/4W
Q756	8-729-140-82	TRANSISTOR 2SA988-PAFAEA		R469	1-249-417-11	CARBON 1K 5%	1/4W
Q790	8-729-119-79	TRANSISTOR 2SC2785-FEK		R470	1-249-437-11	CARBON 47K 5%	1/4W
Q801	8-729-140-97	TRANSISTOR 2SB734-34		R471	1-249-417-11	CARBON 1K 5%	1/4W
		< RESISTOR >		R472	1-249-417-11	CARBON 1K 5%	1/4W
R366	1-249-429-11	CARBON 10K 5%	1/4W	R473	1-249-421-11	CARBON 2.2K 5%	1/4W
R367	1-249-441-11	CARBON 100K 5%	1/4W	R474	1-249-432-11	CARBON 18K 5%	1/4W
R368	1-249-437-11	CARBON 47K 5%	1/4W	R475	1-249-421-11	CARBON 2.2K 5%	1/4W
R375	1-249-417-11	CARBON 1K 5%	1/4W	R499	1-249-437-11	CARBON 47K 5%	1/4W
R376	1-249-417-11	CARBON 1K 5%	1/4W	R501	1-249-417-11	CARBON 1K 5%	1/4W
R379	1-249-425-11	CARBON 4.7K 5%	1/4W	R502	1-249-439-11	CARBON 68K 5%	1/4W
R380	1-249-441-11	CARBON 100K 5%	1/4W	R503	1-249-414-11	CARBON 560 5%	1/4W (K840P)
R381	1-249-429-11	CARBON 10K 5%	1/4W	R503	1-249-415-11	CARBON 680 5%	1/4W (K740P)
R400	1-249-429-11	CARBON 10K 5%	1/4W	R504	1-249-411-11	CARBON 330 5%	1/4W
R402	1-249-417-11	CARBON 1K 5%	1/4W	R505	1-249-439-11	CARBON 68K 5%	1/4W
R404	1-249-417-11	CARBON 1K 5%	1/4W	R510	1-249-421-11	CARBON 2.2K 5%	1/4W
R405	1-249-417-11	CARBON 1K 5%	1/4W	R511	1-249-440-11	CARBON 82K 5%	1/4W
R406	1-249-417-11	CARBON 1K 5%	1/4W	R513	1-249-414-11	CARBON 560 5%	1/4W
R407	1-249-417-11	CARBON 1K 5%	1/4W	R514	1-249-405-11	CARBON 100 5%	1/4W
R408	1-249-417-11	CARBON 1K 5%	1/4W	R515	1-249-405-11	CARBON 100 5%	1/4W
R409	1-249-417-11	CARBON 1K 5%	1/4W	R516	1-234-182-11	ENCAPSULATED COMPONENT 0.22X2 5W	
R411	1-249-417-11	CARBON 1K 5%	1/4W (K840P)	R517	1-249-393-11	CARBON 10 5%	1/4W
R412	1-249-417-11	CARBON 1K 5%	1/4W (K840P)	R520	1-249-425-11	CARBON 4.7K 5%	1/4W
R413	1-249-437-11	CARBON 47K 5%	1/4W	R521	1-247-850-11	CARBON 6.2K 5%	1/4W
R414	1-249-437-11	CARBON 47K 5%	1/4W	R522	1-249-419-11	CARBON 1.5K 5%	1/4W
R415	1-249-437-11	CARBON 47K 5%	1/4W	R524	1-249-431-11	CARBON 15K 5%	1/4W
R416	1-249-437-11	CARBON 47K 5%	1/4W	R525	1-249-439-11	CARBON 68K 5%	1/4W
R417	1-249-437-11	CARBON 47K 5%	1/4W	R528	1-249-389-11	CARBON 4.7 5%	1/4W
R418	1-249-437-11	CARBON 47K 5%	1/4W	R531	1-249-425-11	CARBON 4.7K 5%	1/4W
R419	1-249-437-11	CARBON 47K 5%	1/4W	R532	1-249-425-11	CARBON 4.7K 5%	1/4W
R420	1-249-437-11	CARBON 47K 5%	1/4W	R533	1-249-437-11	CARBON 47K 5%	1/4W
R422	1-249-437-11	CARBON 47K 5%	1/4W	R534	1-249-389-11	CARBON 4.7 5%	1/4W
R424	1-249-437-11	CARBON 47K 5%	1/4W	R540	1-249-433-11	CARBON 22K 5%	1/4W
R425	1-249-437-11	CARBON 47K 5%	1/4W	R546	1-247-843-11	CARBON 3.3K 5%	1/4W
R426	1-249-437-11	CARBON 47K 5%	1/4W				
R427	1-249-437-11	CARBON 47K 5%	1/4W				

STR-K740P/K840P

MAIN

Ref. No.	Part No.	Description	Remark	Ref. No.	Part No.	Description	Remark
R555	1-249-433-11	CARBON	22K 5% 1/4W	R714	1-249-405-11	CARBON	100 5% 1/4W
R556	1-249-433-11	CARBON	22K 5% 1/4W	R715	1-249-405-11	CARBON	100 5% 1/4W
R557	1-249-431-11	CARBON	15K 5% 1/4W	R716	1-234-182-11	ENCAPSULATED COMPONENT	0.22X2 5W
R560	1-249-429-11	CARBON	10K 5% 1/4W	R717	1-249-393-11	CARBON	10 5% 1/4W
R573	1-249-437-11	CARBON	47K 5% 1/4W	R718	1-249-389-11	CARBON	4.7 5% 1/4W
R610	1-249-421-11	CARBON	2.2K 5% 1/4W	R719	1-249-425-11	CARBON	4.7K 5% 1/4W
R611	1-249-440-11	CARBON	82K 5% 1/4W	R721	1-247-850-11	CARBON	6.2K 5% 1/4W
R613	1-249-414-11	CARBON	560 5% 1/4W	R722	1-249-419-11	CARBON	1.5K 5% 1/4W
R614	1-249-405-11	CARBON	100 5% 1/4W	R723	1-249-437-11	CARBON	47K 5% 1/4W
R615	1-249-405-11	CARBON	100 5% 1/4W	R724	1-249-431-11	CARBON	15K 5% 1/4W
R616	1-234-182-11	ENCAPSULATED COMPONENT	0.22X2 5W	R725	1-249-439-11	CARBON	68K 5% 1/4W
R617	1-249-393-11	CARBON	10 5% 1/4W	R731	1-249-425-11	CARBON	4.7K 5% 1/4W
R618	1-249-389-11	CARBON	4.7 5% 1/4W	R732	1-249-381-11	CARBON	1 5% 1/4W
R620	1-249-425-11	CARBON	4.7K 5% 1/4W	R733	1-249-381-11	CARBON	1 5% 1/4W
R621	1-247-850-11	CARBON	6.2K 5% 1/4W	R734	1-249-389-11	CARBON	4.7 5% 1/4W
R622	1-249-419-11	CARBON	1.5K 5% 1/4W	R735	1-249-427-11	CARBON	6.8K 5% 1/4W
R623	1-249-437-11	CARBON	47K 5% 1/4W	R736	1-249-417-11	CARBON	1K 5% 1/4W
R624	1-249-431-11	CARBON	15K 5% 1/4W	R737	1-249-436-11	CARBON	39K 5% 1/4W
R625	1-249-439-11	CARBON	68K 5% 1/4W	R740	1-249-433-11	CARBON	22K 5% 1/4W
R631	1-249-425-11	CARBON	4.7K 5% 1/4W	R745	1-249-433-11	CARBON	22K 5% 1/4W
R634	1-249-389-11	CARBON	4.7 5% 1/4W	R746	1-249-433-11	CARBON	22K 5% 1/4W
R638	1-249-439-11	CARBON	68K 5% 1/4W	R747	1-249-431-11	CARBON	15K 5% 1/4W
R640	1-249-433-11	CARBON	22K 5% 1/4W	R748	1-247-843-11	CARBON	3.3K 5% 1/4W
R648	1-247-843-11	CARBON	3.3K 5% 1/4W	R750	1-249-433-11	CARBON	22K 5% 1/4W
R655	1-249-433-11	CARBON	22K 5% 1/4W	R755	1-249-433-11	CARBON	22K 5% 1/4W
R656	1-249-433-11	CARBON	22K 5% 1/4W	R756	1-249-433-11	CARBON	22K 5% 1/4W
R657	1-249-431-11	CARBON	15K 5% 1/4W	R757	1-249-431-11	CARBON	15K 5% 1/4W
R660	1-249-421-11	CARBON	2.2K 5% 1/4W	R758	1-247-843-11	CARBON	3.3K 5% 1/4W
R661	1-249-440-11	CARBON	82K 5% 1/4W	R760	1-249-421-11	CARBON	2.2K 5% 1/4W
R663	1-249-414-11	CARBON	560 5% 1/4W	R761	1-249-440-11	CARBON	82K 5% 1/4W
R664	1-249-405-11	CARBON	100 5% 1/4W	R763	1-249-414-11	CARBON	560 5% 1/4W
R665	1-249-405-11	CARBON	100 5% 1/4W	R764	1-249-405-11	CARBON	100 5% 1/4W
R666	1-234-182-11	ENCAPSULATED COMPONENT	0.22X2 5W	R765	1-249-405-11	CARBON	100 5% 1/4W
R667	1-249-393-11	CARBON	10 5% 1/4W	R766	1-234-182-11	ENCAPSULATED COMPONENT	0.22X2 5W
R668	1-249-389-11	CARBON	4.7 5% 1/4W	R767	1-249-393-11	CARBON	10 5% 1/4W
R669	1-249-425-11	CARBON	4.7K 5% 1/4W	R768	1-249-389-11	CARBON	4.7 5% 1/4W
R671	1-247-850-11	CARBON	6.2K 5% 1/4W	R769	1-249-425-11	CARBON	4.7K 5% 1/4W
R672	1-249-419-11	CARBON	1.5K 5% 1/4W	R770	1-249-437-11	CARBON	47K 5% 1/4W
R673	1-249-437-11	CARBON	47K 5% 1/4W	R771	1-247-850-11	CARBON	6.2K 5% 1/4W
R674	1-249-431-11	CARBON	15K 5% 1/4W	R772	1-249-419-11	CARBON	1.5K 5% 1/4W
R675	1-249-433-11	CARBON	22K 5% 1/4W	R773	1-249-437-11	CARBON	47K 5% 1/4W
R676	1-249-433-11	CARBON	22K 5% 1/4W	R775	1-249-439-11	CARBON	68K 5% 1/4W
R677	1-249-431-11	CARBON	15K 5% 1/4W	R778	1-249-431-11	CARBON	15K 5% 1/4W
R680	1-249-433-11	CARBON	22K 5% 1/4W	R780	1-249-429-11	CARBON	10K 5% 1/4W
R681	1-247-843-11	CARBON	3.3K 5% 1/4W	R791	1-249-425-11	CARBON	4.7K 5% 1/4W
R690	1-247-887-00	CARBON	220K 5% 1/4W	R792	1-215-868-00	METAL OXIDE	680 5% 1W F
R691	1-216-453-00	METAL OXIDE	270 5% 2W F	R793	1-249-389-11	CARBON	4.7 5% 1/4W
R692	1-215-890-11	METAL OXIDE	470 5% 2W F	R794	1-215-868-00	METAL OXIDE	680 5% 1W F
R693	1-249-429-11	CARBON	10K 5% 1/4W	R802	1-249-381-11	CARBON	1 5% 1/4W
R694	1-249-429-11	CARBON	10K 5% 1/4W	R803	1-249-389-11	CARBON	4.7 5% 1/4W
R695	1-249-429-11	CARBON	10K 5% 1/4W	R804	1-249-426-11	CARBON	5.6K 5% 1/4W
R696	1-249-436-11	CARBON	39K 5% 1/4W	R806	1-249-433-11	CARBON	22K 5% 1/4W
R698	1-249-429-11	CARBON	10K 5% 1/4W	△R910	1-243-635-11	FUSIBLE	0.33 5% 1/2W F
R699	1-247-895-00	CARBON	470K 5% 1/4W				
R710	1-249-421-11	CARBON	2.2K 5% 1/4W				
R711	1-249-440-11	CARBON	82K 5% 1/4W				
R713	1-249-414-11	CARBON	560 5% 1/4W				

The components identified by mark △ or dotted line with mark △ are critical for safety. Replace only with part number specified.

Les composants identifiés par une marque △ sont critiques pour la sécurité. Ne les remplacer que par une pièce portant le numéro spécifié.

MAIN

STK

VIDEO

Ref. No.	Part No.	Description	Remark	Ref. No.	Part No.	Description	Remark
		< RELAY >				< TRANSISTOR >	
RY501	1-755-421-11	RELAY		Q361	8-729-823-22	TRANSISTOR 2SC3576	
RY560	1-755-267-11	RELAY		Q362	8-729-823-22	TRANSISTOR 2SC3576	
RY601	1-755-421-11	RELAY		Q365	8-729-823-22	TRANSISTOR 2SC3576	
RY701	1-755-421-11	RELAY		Q366	8-729-823-22	TRANSISTOR 2SC3576	
RY791	1-755-421-11	RELAY				< RESISTOR >	
		< TERMINAL BOARD >		R360	1-249-441-11	CARBON 100K 5%	1/4W
TM601	1-694-805-11	TERMINAL BOARD (SPEAKERS SURROUND/CENTER)		R361	1-249-425-11	CARBON 4.7K 5%	1/4W
TM602	1-694-785-11	TERMINAL BOARD (SPEAKERS FRONT)		R362	1-249-425-11	CARBON 4.7K 5%	1/4W
*****				R363	1-249-441-11	CARBON 100K 5%	1/4W
	A-4731-815-A	STK BOARD, COMPLETE (K740P)		R369	1-249-425-11	CARBON 4.7K 5%	1/4W
	A-4731-816-A	STK BOARD, COMPLETE (K840P)		R370	1-249-425-11	CARBON 4.7K 5%	1/4W
*****				R371	1-249-441-11	CARBON 100K 5%	1/4W
		< CAPACITOR >		R372	1-249-441-11	CARBON 100K 5%	1/4W
C371	1-161-494-00	CERAMIC 0.022uF	25V	R373	1-249-417-11	CARBON 1K 5%	1/4W
C372	1-161-494-00	CERAMIC 0.022uF	25V	R374	1-249-417-11	CARBON 1K 5%	1/4W
C375	1-161-494-00	CERAMIC 0.022uF	25V	R377	1-249-417-11	CARBON 1K 5%	1/4W
C376	1-161-494-00	CERAMIC 0.022uF	25V	R378	1-249-417-11	CARBON 1K 5%	1/4W
C601	1-126-963-11	ELECT 4.7uF 20%	50V	R500	1-249-411-11	CARBON 330 5%	1/4W
C603	1-104-665-11	ELECT 100uF 20%	10V	R550	1-249-411-11	CARBON 330 5%	1/4W
C604	1-107-583-11	CERAMIC 3PF 0.25PF	500V	R600	1-249-411-11	CARBON 330 5%	1/4W
C605	1-101-810-00	CERAMIC 100PF 5%	500V	R601	1-249-417-11	CARBON 1K 5%	1/4W
C606	1-128-813-11	CERAMIC 220PF 5%	50V	R602	1-249-439-11	CARBON 68K 5%	1/4W
C607	1-128-809-11	CERAMIC 100PF 5%	50V	R603	1-249-414-11	CARBON 560 5%	1/4W (K840P)
C651	1-126-963-11	ELECT 4.7uF 20%	50V	R603	1-249-415-11	CARBON 680 5%	1/4W (K740P)
C653	1-104-665-11	ELECT 100uF 20%	10V	R604	1-249-439-11	CARBON 68K 5%	1/4W
C654	1-107-583-11	CERAMIC 3PF 0.25PF	500V	R650	1-249-411-11	CARBON 330 5%	1/4W
C655	1-101-810-00	CERAMIC 100PF 5%	500V	R651	1-249-417-11	CARBON 1K 5%	1/4W
C656	1-128-813-11	CERAMIC 220PF 5%	50V	R652	1-249-439-11	CARBON 68K 5%	1/4W
C657	1-128-809-11	CERAMIC 100PF 5%	50V	R653	1-249-414-11	CARBON 560 5%	1/4W (K840P)
C701	1-126-963-11	ELECT 4.7uF 20%	50V	R653	1-249-415-11	CARBON 680 5%	1/4W (K740P)
C703	1-104-665-11	ELECT 100uF 20%	10V	R654	1-249-439-11	CARBON 68K 5%	1/4W
C704	1-107-583-11	CERAMIC 3PF 0.25PF	500V	R701	1-249-417-11	CARBON 1K 5%	1/4W
C705	1-101-810-00	CERAMIC 100PF 5%	500V	R702	1-249-439-11	CARBON 68K 5%	1/4W
C706	1-128-813-11	CERAMIC 220PF 5%	50V	R703	1-249-414-11	CARBON 560 5%	1/4W (K840P)
C707	1-128-809-11	CERAMIC 100PF 5%	50V	R703	1-249-415-11	CARBON 680 5%	1/4W (K740P)
C730	1-101-810-00	CERAMIC 100PF 5%	500V	R704	1-249-439-11	CARBON 68K 5%	1/4W
C731	1-101-810-00	CERAMIC 100PF 5%	500V	R751	1-249-417-11	CARBON 1K 5%	1/4W
C751	1-126-963-11	ELECT 4.7uF 20%	50V	R752	1-249-439-11	CARBON 68K 5%	1/4W
C753	1-104-665-11	ELECT 100uF 20%	10V	R753	1-249-414-11	CARBON 560 5%	1/4W (K840P)
C754	1-107-583-11	CERAMIC 3PF 0.25PF	500V	R753	1-249-415-11	CARBON 680 5%	1/4W (K740P)
C755	1-101-810-00	CERAMIC 100PF 5%	500V	R754	1-249-439-11	CARBON 68K 5%	1/4W
C756	1-128-813-11	CERAMIC 220PF 5%	50V			*****	
C757	1-128-809-11	CERAMIC 100PF 5%	50V				
C780	1-101-810-00	CERAMIC 100PF 5%	500V				
C781	1-101-810-00	CERAMIC 100PF 5%	500V				
		< CONNECTOR >					
CNS505	1-778-982-11	CONNECTOR, BOARD TO BOARD 13P			A-4731-782-A	VIDEO BOARD, COMPLETE	
CNS506	1-778-982-11	CONNECTOR, BOARD TO BOARD 13P				*****	
		< IC >				< CAPACITOR >	
IC701	8-749-010-79	IC STK350-030		C200	1-128-805-11	CERAMIC 47PF 5%	50V
IC702	8-749-010-79	IC STK350-030		C201	1-128-805-11	CERAMIC 47PF 5%	50V

STR-K740P/K840P

VIDEO

Ref. No.	Part No.	Description			Remark
C206	1-126-964-11	ELECT	10uF	20%	50V
C207	1-126-964-11	ELECT	10uF	20%	50V
C208	1-126-964-11	ELECT	10uF	20%	50V
C209	1-126-960-11	ELECT	1uF	20%	50V
C210	1-126-964-11	ELECT	10uF	20%	50V
C213	1-126-934-11	ELECT	220uF	20%	10V
C214	1-164-159-11	CERAMIC	0.1uF		50V
C215	1-164-159-11	CERAMIC	0.1uF		50V
C248	1-128-825-11	CERAMIC	0.0022uF	5%	50V
C249	1-128-825-11	CERAMIC	0.0022uF	5%	50V
C809	1-126-934-11	ELECT	220uF	20%	10V
C824	1-164-159-11	CERAMIC	0.1uF		50V
C825	1-164-159-11	CERAMIC	0.1uF		50V
C827	1-126-947-11	ELECT	47uF	20%	25V

< CONNECTOR >

CNP156	1-691-765-11	PLUG (MICRO CONNECTOR) 3P
CNS150	1-569-315-11	SOCKET, CONNECTOR 5P

< DIODE >

D203	8-719-991-33	DIODE 1SS133T-77
D204	8-719-991-33	DIODE 1SS133T-77

< IC >

IC103	6-701-890-01	IC NJM2595D
IC804	8-759-701-65	IC NJM79M05FA
IC807	8-759-231-53	IC TA7805S

< JACK >

J200	1-794-978-11	JACK, PIN 3P (DVD/LD VIDEO IN, VIDEO 2 VIDEO IN, VIDEO 1 VIDEO OUT)
J201	1-815-043-11	JACK, PIN 2P (VIDEO 1 VIDEO IN, MONITOR VIDEO OUT)

< RESISTOR >

R200	1-247-804-11	CARBON	75	5%	1/4W
R201	1-247-804-11	CARBON	75	5%	1/4W
R218	1-247-804-11	CARBON	75	5%	1/4W
R219	1-247-804-11	CARBON	75	5%	1/4W
R220	1-247-804-11	CARBON	75	5%	1/4W
R221	1-247-804-11	CARBON	75	5%	1/4W

MEMO

