

STR-DE885/DE985

SERVICE MANUAL

Ver 1.2 2002. 11

US Model
Canadian Model
STR-DE885/DE985

E Model
STR-DE885



Photo: STR-DE885

This receiver incorporates Dolby® Digital and Pro Logic Surround and the DTS® Digital Surround System.

* Manufactured under license from Dolby Laboratories.
“Dolby”, “Pro Logic” and the double-D symbol are trademarks of Dolby Laboratories.

** “DTS”, “ES” and “DTS Digital Surround” are registered trademarks of Digital Theater Systems, Inc.

SPECIFICATIONS

AUDIO POWER SPECIFICATIONS

POWER OUTPUT AND TOTAL HARMONIC DISTORTION:

With 8 ohm loads, both channels driven, from 20 – 20,000 Hz; rated 100 watts per channel minimum RMS power, with no more than 0.09 % total harmonic distortion from 250 milliwatts to rated output (Models of area code US only).

Amplifier section

POWER OUTPUT

Models of area code US, CND
Rated Power Output at Stereo Mode
(8 ohms 20 Hz – 20 kHz, THD 0.09 %)
100 W + 100 W²⁾

Reference Power Output
(8 ohms 1 kHz, THD 0.7 %)
FRONT¹⁾: 100 W/ch
CENTER¹⁾: 100 W
SURR¹⁾: 100 W/ch
SURR BACK¹⁾: 100 W (DE985)

Models of area code E23, MX
Rated Power Output at Stereo Mode
(8 ohms 1 kHz, THD 0.7 %)
100 W + 100 W²⁾

Reference Power Output²⁾
(8 ohms 1 kHz, THD 10 %)

FRONT¹⁾: 120 W/ch
CENTER¹⁾: 120 W
SURR¹⁾: 120 W/ch

- 1) Depending on the sound field settings and the source, there may be no sound output.
2) Measured under the following conditions:

Area code	Power requirements
E23	240 V AC, 50 Hz
US, CND, MX	120 V AC, 60 Hz

Frequency response

PHONO	RIAA equalization curve ±0.5 dB
MULTI CH IN (1, 2) ⁵⁾ , CD/SACD, TAPE ⁵⁾ , MD/DAT ⁵⁾ , MD/TAPE ⁶⁾ , TV/SAT, DVD/LD, VIDEO 1, 2, 3	10 Hz – 70 kHz +0.5/-2 dB (with sound field and equalizer bypassed)

– Continued on next page –

FM STEREO/FM-AM RECEIVER

9-874-060-03
2002K0400-1
© 2002. 11

Sony Corporation
Home Audio Company
Published by Sony Engineering Corporation

SONY®

STR-DE885/DE985

Inputs (Analog)

PHONO	Sensitivity: 4 mV Impedance: 50 kilohms S/N ³⁾ : 86 dB (A, 4 mV ⁴⁾)
MULTI CH IN (1, 2) ⁵⁾ , CD/SACD, TAPE ⁵⁾ , MD/DAT ⁵⁾ , MD/TAPE ⁶⁾ , TV/SAT, DVD/LD, VIDEO 1, 2, 3	Sensitivity: 250 mV Impedance: 50 kilohms S/N ³⁾ : 96 dB (A, 250 mV ⁴⁾)

3) INPUT SHORT (with sound field, equalizer and bass boost bypassed).

4) Weighted network, input level.

5) STR-DE985

6) STR-DE885

Inputs (Digital)

DVD/LD (Coaxial)	Sensitivity: – Impedance: 75 ohms S/N: 100 dB (A, 20 kHz LPF)
CD/SACD, TV/SAT, MD/DAT ⁵⁾ , MD/TAPE ⁶⁾ , VIDEO 3 (Optical)	Sensitivity: – Impedance: – S/N: 100 dB (A, 20 kHz LPF)

Outputs (Analog)

MD/DAT ⁵⁾ , MD/TAPE ⁶⁾ (OUT), VIDEO1, 2 (AUDIO OUT)	Voltage: 250 mV Impedance: 10 kilohms
SUB WOOFER, SURR BACK, 2ND ROOM ⁵⁾	Voltage: 2 V Impedance: 1 kilohms

Outputs (Digital)

MD/TAPE (Optical)	Sensitivity: –
-------------------	----------------

EQ

BASS:	99 Hz – 1.0 kHz (21 steps)
MID:	198 Hz – 10 kHz (37 steps)
TREBLE:	1.0 kHz – 10 kHz (23 steps)
Gain levels:	±10 dB, 1 dB step

FM tuner section

Tuning range	87.5 – 108.0 MHz
Antenna terminals	75 ohms, unbalanced
Intermediate frequency	10.7 MHz
Sensitivity	
Mono:	18.3 dBf, 2.2 µV/75 ohms
Stereo:	38.3 dBf, 22.5 µV/75 ohms
Usable sensitivity	11.2 dBf, 1 µV/75 ohms
S/N	
Mono:	76 dB
Stereo:	70 dB
Harmonic distortion at 1 kHz	
Mono:	0.3%
Stereo:	0.5%
Separation	45 dB at 1 kHz
Frequency response	30 Hz – 15 kHz, +0.5/–2 dB
Selectivity	60 dB at 400 kHz

AM tuner section

Tuning range	
Models of area code US, CND	
With 10-kHz tuning scale:	530 – 1710 kHz ⁷⁾
With 9-kHz tuning scale:	531 – 1710 kHz ⁷⁾
Models of area code E23, MX	
With 10-kHz tuning scale:	530 – 1610 kHz ⁷⁾
With 9-kHz tuning scale:	531 – 1602 kHz ⁷⁾

Antenna	Loop antenna
Intermediate Frequency	450 kHz
Usable sensitivity	50 dB/m (at 1,000 kHz or 999 kHz)
S/N	54 dB (at 50 mV/m)
Harmonic distortion	0.5 % (50 mV/m, 400 Hz)

Selectivity

At 9 kHz:	35 dB
At 10 kHz:	40 dB

7) You can change the AM tuning scale to 9 kHz or 10 kHz. After tuning in any AM station, turn off the receiver. Hold down PRESET TUNING + and press I/⏪. All preset stations will be erased when you change the tuning scale. To reset the scale to 10 kHz (or 9 kHz), repeat the procedure.

Video section

Inputs

Video:	1 Vp-p, 75 ohms Y: 1 Vp-p, 75 ohms C: 0.286 Vp-p, 75 ohms
S-video:	Y: 1 Vp-p, 75 ohms Pb B-Y: 0.7 Vp-p, 75 ohms Pr R-Y: 0.7 Vp-p, 75 ohms
Component Video:	Y: 1 Vp-p, 75 ohms Pb B-Y: 0.7 Vp-p, 75 ohms Pr R-Y: 0.7 Vp-p, 75 ohms

Outputs

Video:	1 Vp-p, 75 ohms Y: 1 Vp-p, 75 ohms C: 0.286 Vp-p, 75 ohms
S-video:	Y: 1 Vp-p, 75 ohms Pb B-Y: 0.7 Vp-p, 75 ohms Pr R-Y: 0.7 Vp-p, 75 ohms
Component Video:	Y: 1 Vp-p, 75 ohms Pb B-Y: 0.7 Vp-p, 75 ohms Pr R-Y: 0.7 Vp-p, 75 ohms

General

Power requirements

Area code	Power requirements
US, CND, MX	120 V AC, 60 Hz
E23	120/220/240 V AC, 50/60 Hz

Power consumption

Area code	Power consumption
US	STR-DE985: 265 W STR-DE885: 210 W
CND	STR-DE985: 360 VA STR-DE885: 300 VA
MX	210 W
E23	230 W

Power consumption (during standby mode)

0.5 W (when "POWER SAVE"
in the CUSTOMIZE menu is
set to "ON").

AC outlets

Area code	AC outlets
US, CND	2 switched, 120 W/1A MAX
E23, MX	1 switched, 100 W MAX

Dimensions	430 × 157.5 × 369 mm (16 7/8 × 6 2/8 × 14 4/8 inches) including projecting parts and controls
------------	--

Mass (Approx.)	9.5 kg (20 lb 16 oz)
----------------	----------------------

Supplied accessories

- FM wire antenna (1)
- AM loop antenna (1)
- Remote commander (1)
 - RM-PG411 (STR-DE985)
 - RM-PP411 (STR-DE885)
- R6 (size-AA) batteries (2)
- Audio/video/control S cord (1)
- Monaural mini-plug cord (1)

Design and specifications are subject to change without notice.

• Abbreviation

- CND : Canadian model
- E23 : AC 120/220/240V area in E model
- MX : Mexican model

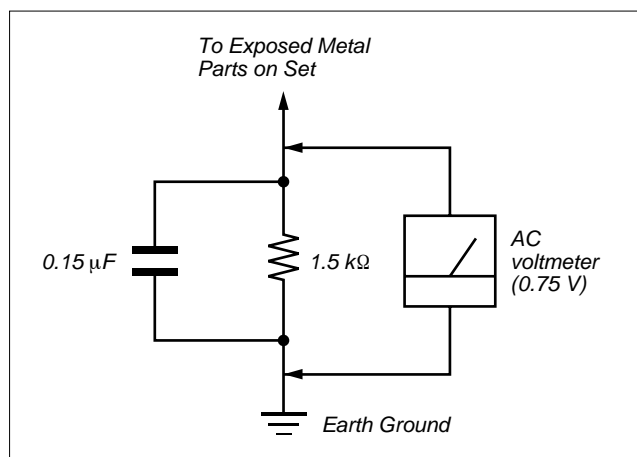
SAFETY CHECK-OUT

After correcting the original service problem, perform the following safety check before releasing the set to the customer:
Check the antenna terminals, metal trim, "metallized" knobs, screws, and all other exposed metal parts for AC leakage.
Check leakage as described below.

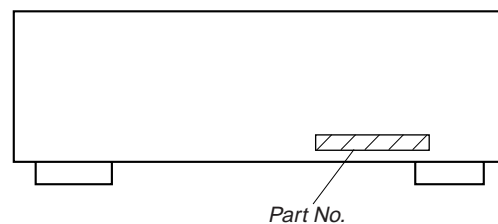
LEAKAGE TEST

The AC leakage from any exposed metal part to earth ground and from all exposed metal parts to any exposed metal part having a return to chassis, must not exceed 0.5 mA (500 microamperes.). Leakage current can be measured by any one of three methods.

1. A commercial leakage tester, such as the Simpson 229 or RCA WT-540A. Follow the manufacturers' instructions to use these instruments.
2. A battery-operated AC milliammeter. The Data Precision 245 digital multimeter is suitable for this job.
3. Measuring the voltage drop across a resistor by means of a VOM or battery-operated AC voltmeter. The "limit" indication is 0.75 V, so analog meters must have an accurate low-voltage scale. The Simpson 250 and Sanwa SH-63Trd are examples of a passive VOM that is suitable. Nearly all battery operated digital multimeters that have a 2 V AC range are suitable. (See Fig. A)

**MODEL IDENTIFICATION**

— BACK PANEL —



Area code	Part No.
DE885: US	4-239-124-0□
DE885: CND	4-239-124-1□
DE885: E23	4-239-124-5□
DE885: MX	4-239-124-9□
DE985: US	4-239-222-0□
DE985: CND	4-239-222-1□

SAFETY-RELATED COMPONENT WARNING!!

COMPONENTS IDENTIFIED BY MARK \triangle OR DOTTED LINE WITH MARK \triangle ON THE SCHEMATIC DIAGRAMS AND IN THE PARTS LIST ARE CRITICAL TO SAFE OPERATION. REPLACE THESE COMPONENTS WITH SONY PARTS WHOSE PART NUMBERS APPEAR AS SHOWN IN THIS MANUAL OR IN SUPPLEMENTS PUBLISHED BY SONY.

ATTENTION AU COMPOSANT AYANT RAPPORT À LA SÉCURITÉ!!

LES COMPOSANTS IDENTIFIÉS PAR UNE MARQUE \triangle SUR LES DIAGRAMMES SCHÉMATIQUES ET LA LISTE DES PIÈCES SONT CRITIQUES POUR LA SÉCURITÉ DE FONCTIONNEMENT. NE REMPLACER CES COMPOSANTS QUE PAR DES PIÈCES SONY DONT LES NUMÉROS SONT DONNÉS DANS CE MANUEL OU DANS LES SUPPLÉMENTS PUBLIÉS PAR SONY.

TABLE OF CONTENTS

1. GENERAL

Main unit	5
Remote button description	6

2. DISASSEMBLY

2-1. Case	7
2-2. Front Panel Section	8
2-3. Headphone Board, Opt3 Board, Video3 Board	8
2-4. Back Panel Section	9
2-5. Digital Board	9
2-6. Standby Board	10
2-7. Main Board	10

3. TEST MODE 11

4. DIAGRAMS

4-1. IC Pin Descriptions	13
4-2. Circuit Boards Location	21
4-3. Printed Wiring Boards – Main Section –	22
4-4. Schematic Diagram – Main Section (1/3) –	23
4-5. Schematic Diagram – Main Section (2/3) –	24
4-6. Schematic Diagram – Main Section (3/3) –	25
4-7. Printed Wiring Board – Digital Section (1/2) –	26
4-8. Printed Wiring Boards – Digital Section (2/2) –	27
4-9. Schematic Diagram – Digital Section (1/4) –	28
4-10. Schematic Diagram – Digital Section (2/4) –	29
4-11. Schematic Diagram – Digital Section (3/4) –	30
4-12. Schematic Diagram – Digital Section (4/4) –	31
4-13. Printed Wiring Board – Speaker Section –	32
4-14. Schematic Diagram – Speaker Section –	33
4-15. Printed Wiring Boards – Display Section –	34
4-16. Schematic Diagram – Display Section –	35
4-17. Printed Wiring Board – Video Section –	36
4-18. Schematic Diagram – Video Section –	37
4-19. Printed Wiring Boards – S-video Section –	38
4-20. Schematic Diagram – S-video Section –	39
4-21. Printed Wiring Board – Component Section –	40
4-22. Schematic Diagram – Component Section –	41
4-23. Printed Wiring Boards – Power Section –	42
4-24. Schematic Diagram – Power Section –	43
4-25. IC Block Diagrams	44

5. EXPLODED VIEWS

5-1. Case Section	49
5-2. Front Panel Section	50
5-3. Chassis Section-1	51
5-4. Chassis Section-2	52

6. ELECTRICAL PARTS LIST 53

SECTION 1 GENERAL

This section is extracted from instruction manual.

List of Button Locations and Reference Pages

How to use this page
Use this page to find the location of buttons that are mentioned in the text.

Name of button/part	Illustration number	Reference page
CUSTOMIZE	13	(42, 44, 65)

Main unit

ALPHABETICAL ORDER

0 —9

- 2CH 29 (31, 32)
- 2ND ROOM (STR-DE985 only) 23 (28)

A —D

- A. DEC 31 (29, 31)
- AM 35 (40)
- CINEMA STUDIO EX A, B, C 14 (30)
- CUSTOMIZE 13 (42, 44, 65)
- Digital Cinema Studio (indicator) 17 (29)
- DIGITAL CONCERT HALL A, B 18 (31)
- DIMMER 40 (28)
- DISPLAY 4 (28, 60)
- Display 15 (28)

E —I

- ENTER 32 (42)
- EQ 8 (38, 64)

- EQUALIZER 27 (38)
- FM 36 (40)
- FM MODE 37 (40)
- FUNCTION 24 (26, 59)
- INPUT MODE 26 (26)
- IR (receptor) 5 (48, 60)

J —N

- Jog dial 34 (20, 35, 37, 38, 42, 44, 63)
- LEVEL 10 (25, 37, 63)
- MASTER VOLUME 22 (25, 58)
- MEMORY 39 (41)
- MODE (FUNCTION) 25 (26)
- MODE (SOUND FIELD) 30 (30, 31, 59)
- MULTI/2CH ANALOG DIRECT 28 (27)
- MULTI CHANNEL DECODING (indicator) 11 (27)
- MUTING 21 (27, 58)

O —S

- ON SCREEN (STR-DE985 only) 41 (10)

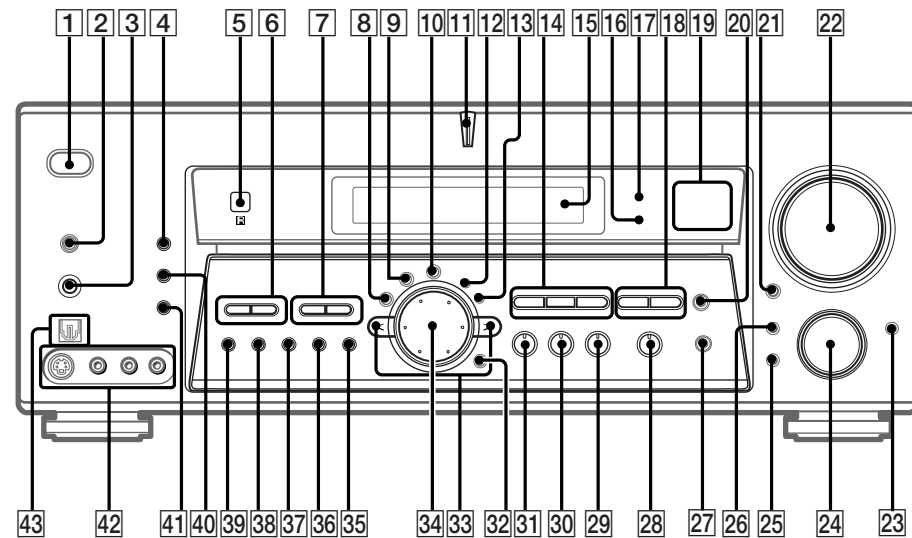
- PHONES (jack) 3 (27, 59)
- PRESET TUNING +/- 6 (41, 62)
- SB DEC (indicator) 16 (33)
- SET UP 12 (20, 65)
- SHIFT 38 (41)
- SPEAKERS A/B 2 (17, 27, 35, 58)
- SURR 9 (35, 63)
- SURR BACK DECODING 20 (33)

T —Z

- TUNING +/- 7 (40)
- VIDEO 3 DIGITAL INPUT (jack) 43 (11)
- VIDEO 3 INPUT (jacks) 42 (10)
- VIDEO SELECT INDICATOR 19 (26)

BUTTON DESCRIPTIONS

- I/⏻ (power) 1 (19, 25, 39, 62)
- </> 33 (20, 35, 37, 38, 42, 44, 63)



List of Button Locations and Reference Pages

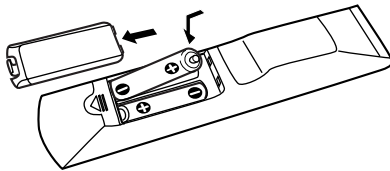
Operations Using the Remote RM-PG411 and RM-PP411

You can use the remote RM-PG411 (STR-DE985 only) or RM-PP411 (STR-DE885 only) to operate the components in your system.

Before you use your remote

Inserting batteries into the remote

Insert R6 (size-AA) batteries with the + and – properly oriented in the battery compartment. When using the remote, point it at the remote sensor on the receiver.



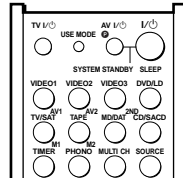
Tip
Under normal conditions, the batteries should last for about 6 months. When the remote no longer operates the receiver, replace all batteries with new ones.

Notes

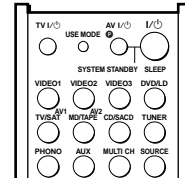
- Do not leave the remote in an extremely hot or humid place.
- Do not use a new battery with an old one.
- Do not expose the remote sensor to direct sunlight or lighting apparatuses. Doing so may cause a malfunction.
- If you don't use the remote for an extended period of time, remove the batteries to avoid possible damage from battery leakage and corrosion.

Remote button description

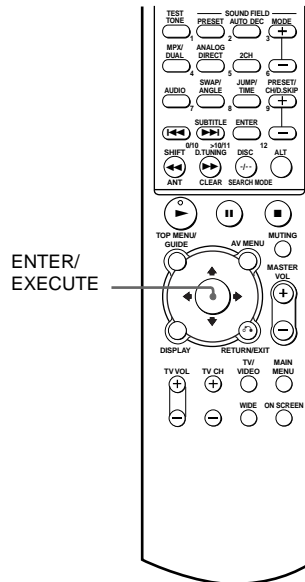
RM-PG411



RM-PP411



RM-PG411 and RM-PP411



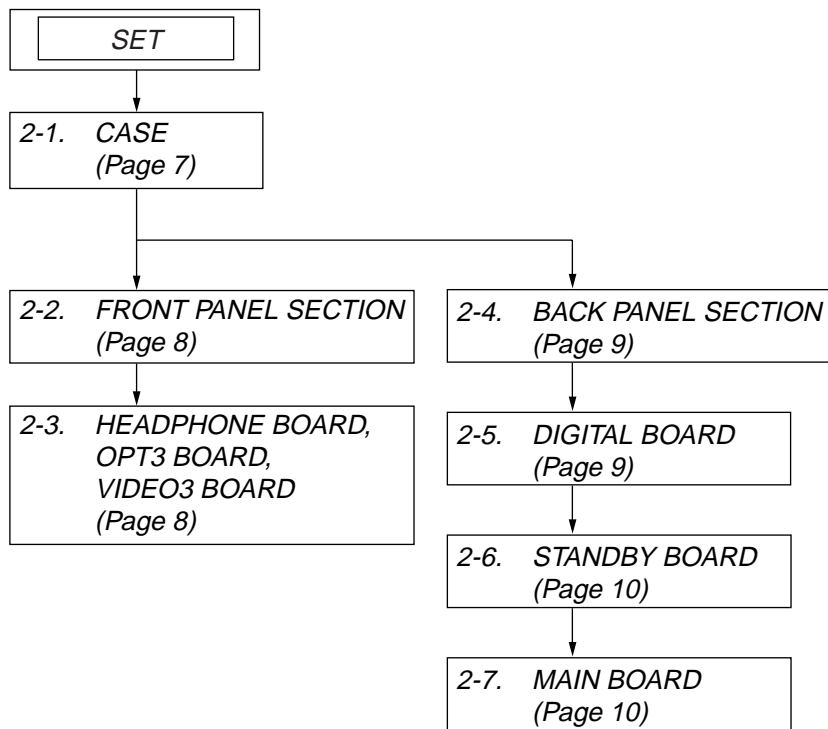
ENTER/EXECUTE

The tables below show the settings of each button common to both remote RM-PG411 and RM-PP411.

Remote Button	Operations	Function
I/O	Receiver	Turns the receiver on or off.
SLEEP	Receiver	Activates the sleep function and the duration which the receiver turns off automatically.

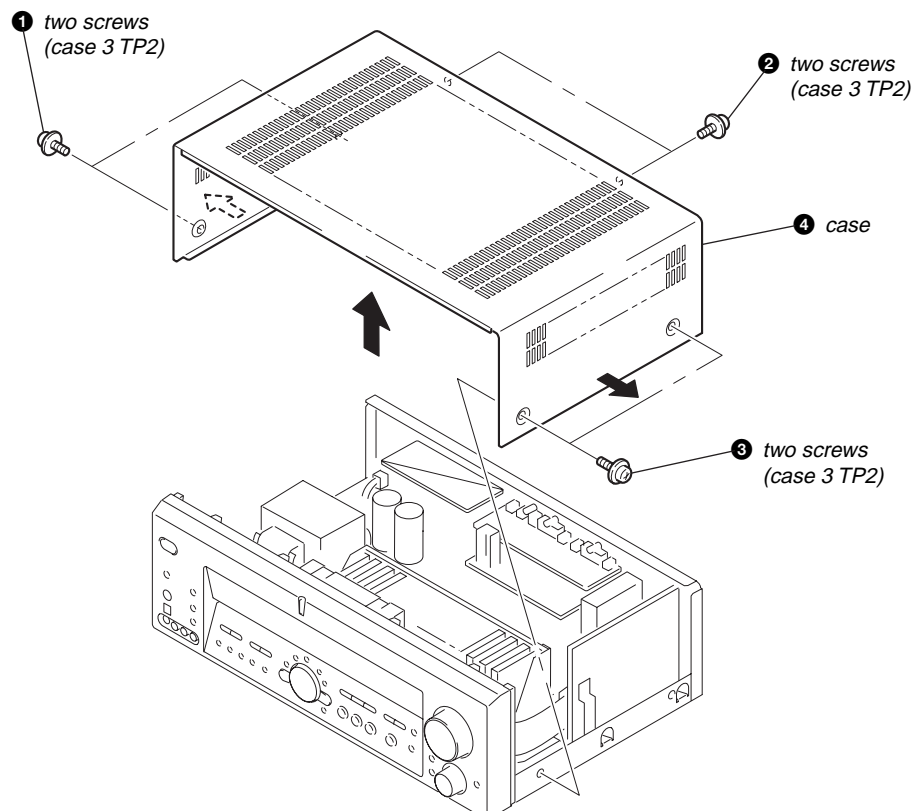
SECTION 2 DISASSEMBLY

Note : This set can be disassemble according to the following sequence.

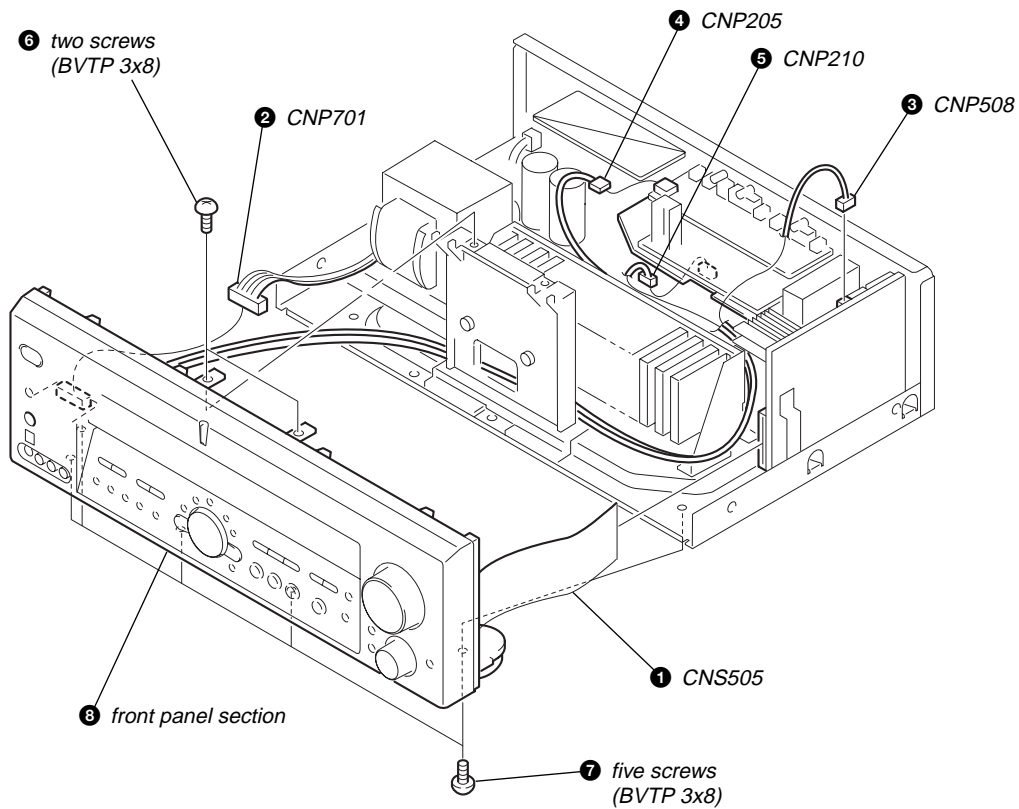


Note : Follow the disassembly procedure in the numerical order given.

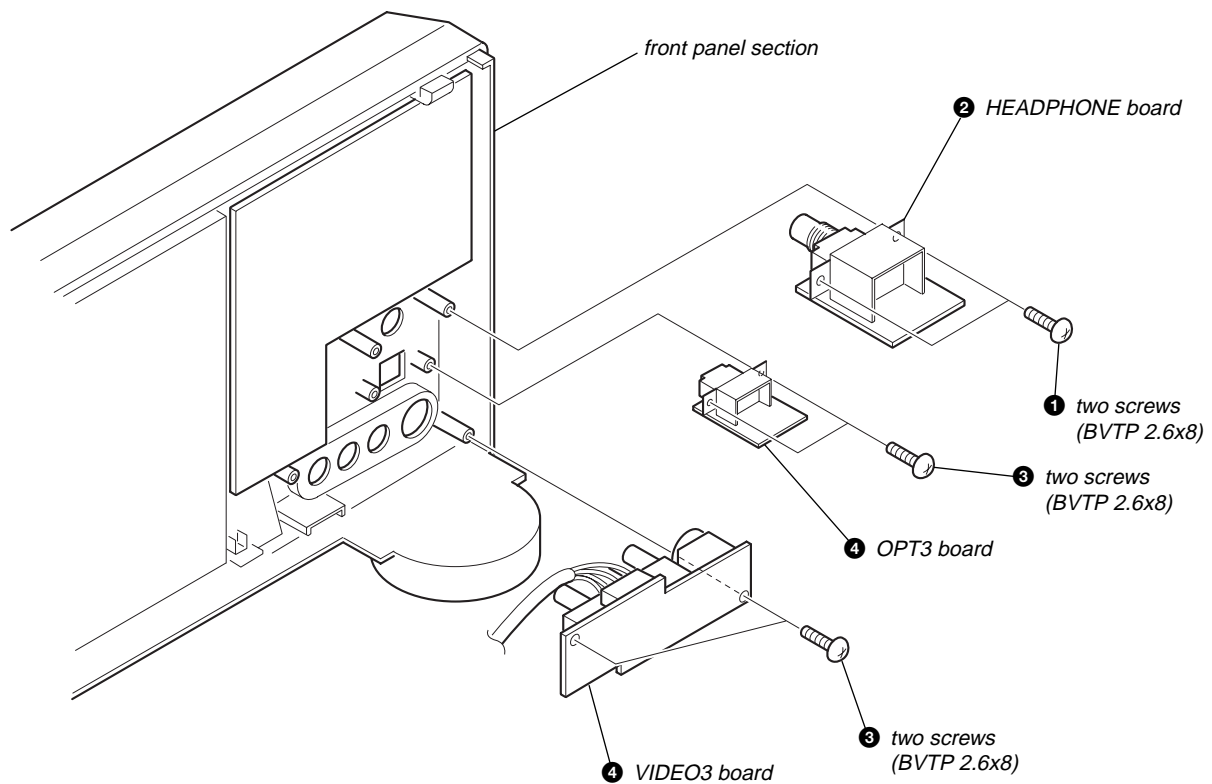
2-1. CASE



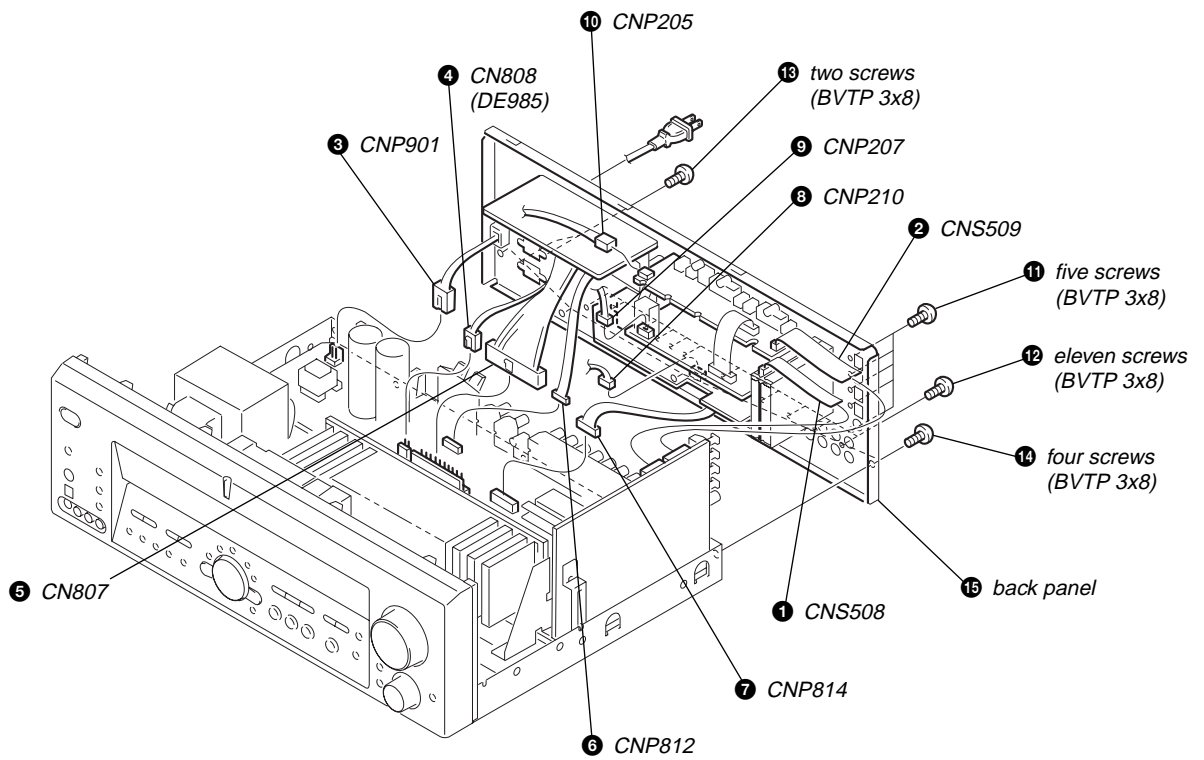
2-2. FRONT PANEL SECTION



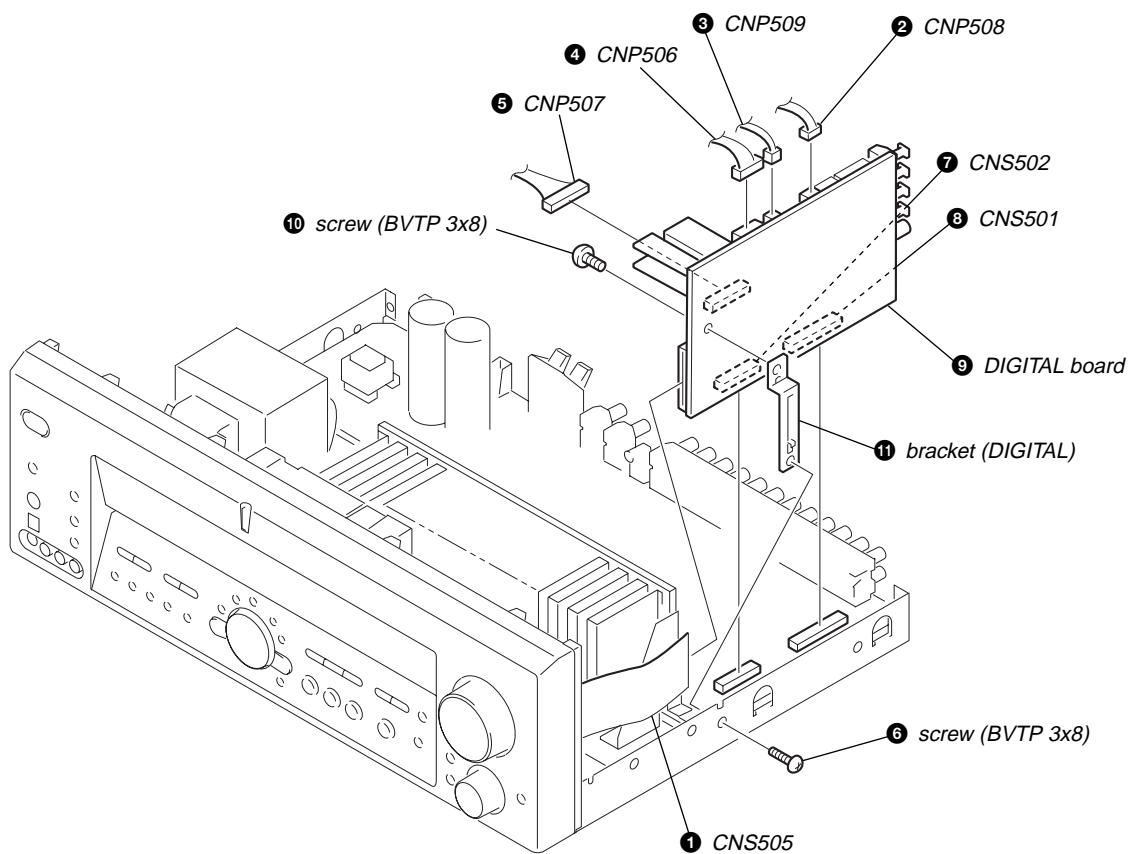
2-3. HEADPHONE BOARD, OPT3 BOARD, VIDEO3 BOARD



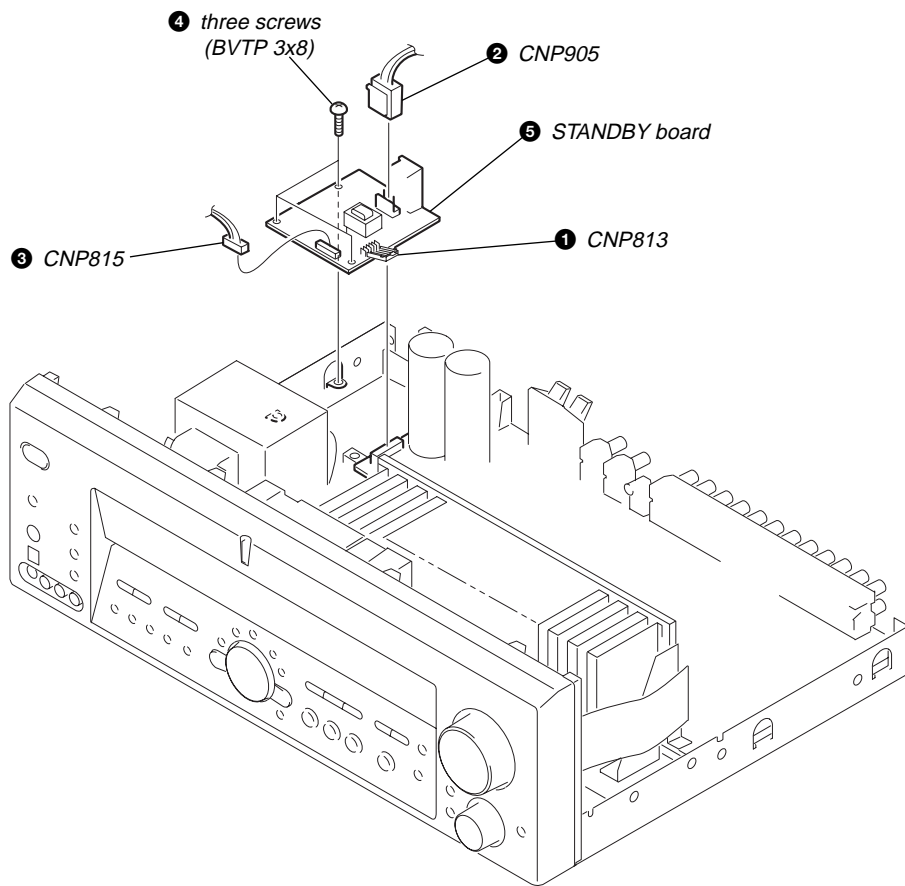
2-4. BACK PANEL SECTION



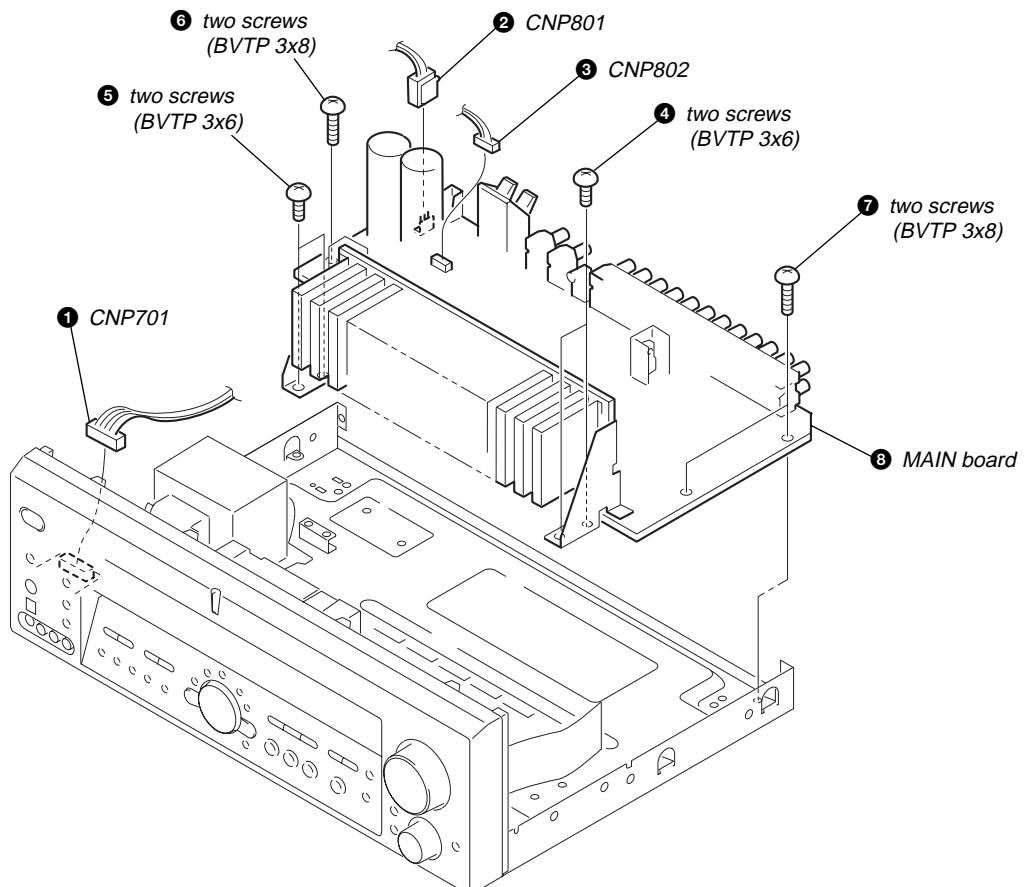
2-5. DIGITAL BOARD



2-6. STANDBY BOARD



2-7. MAIN BOARD



SECTION 3 TEST MODE

FACTORY PRESET MODE

- * All preset contents are reset to the default setting.
- * Procedure:
While depressing the **SETUP** and the **DIMMER** buttons simultaneously, press the power **I/⏻** button to turn on the main power. The message “TUNER FACTORY PRESET” appears and the present contents are reset to the default values.

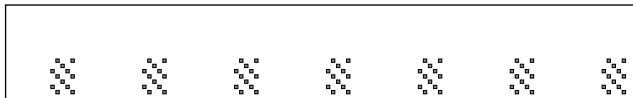
AM CHANNEL STEP 9 KHZ/10 KHZ SELECTION MODE

- * Either the 9 kHz step or 10 kHz step can be selected for the AM channel step.
- * Procedure:
Set the FUNCTION to AM. Turn off the main power. While depressing the **PRESET TUNING+** button, press the power **I/⏻** button to turn on the main power. Either the message 9 k STEP or 10 k STEP appears. Select the desired step.

FLUORESCENT INDICATOR TUBE TEST MODE

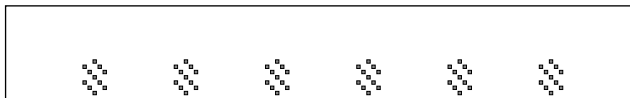
- * All fluorescent segments are tested. When this test is activated, all segments turn on at the same time, then each segment turns on one after another.
 - * Procedure:
While depressing the **A.DEC** and the **DIMMER** buttons simultaneously, press the power **I/⏻** button to turn on the main power.
1. All segments turn on.
VIDEO 2, **SETUP**, **DVD/LD**, **MULTI CHANNEL DECODING** (blue) and **MULTI/2CH ANALOG DIRECT** LEDs turn on.

2. Press the **A.DEC** or the **DIMMER** button, confirm display. (Display)



SOUND FIELD MODE, **VIDEO 1**, **VIDEO 3**, **SOUND FIELD 2CH**, **SURR** and **A.DEC** LEDs turn on.

3. Press the **A.DEC** or the **DIMMER** button, confirm display. (Display)



Digital Cinema Sound, **TV/SAT**, **LEVEL**, **EQ**, **CUSTOMIZE** and **A.DEC** LEDs turn on.

4. Press the **A.DEC** or the **DIMMER** button, All segments turn off. ALL LEDs turn off.
5. Every pressing of the **A.DEC** or the **DIMMER** button turns on each segment and LED one after another in the same order.

SOUND FIELD CLEAR MODE

- * The preset sound field is cleared when this mode is activated. Use this mode before returning the product to clients upon completion of repair.
- * Procedure:
While depressing the **SOUND FIELD MODE** button, press the power **I/⏻** button to turn on the main power. The message “S.F Initialize” appears and initialization is performed.

VERSION DISPLAY MODE

- * The version is displayed.
- * Procedure:
While depressing the **MUTING** and the **DIMMER** buttons simultaneously, press the power **I/⏻** button to turn on the main power. The message “VERSION” and the version number are displayed.

KEY CHECK MODE

- * Button check
- * Procedure:
While depressing the **LEVEL** and the **DISPLAY** buttons simultaneously, press the power **I/⏻** button to turn on the main power. “Rest 36 Key” appears. Every pressing of any button other than **I/⏻** counts down the buttons. The buttons which are already counted once are not counted again. When all buttons are pressed “Rest 00 Key” appears.

MEMO

SECTION 4 DIAGRAMS

4-1. IC PIN DESCRIPTIONS

• IC1501 CXD9617R (AUDIO DSP1) (DIGITAL Board (2/4))

Pin No.	Pin Name	I/O	Pin Description
1	VSS	—	Ground
2	XRST	I	Reset signal input
3	EXTIN	I	Not used (connected to ground)
4	FS2	I	Sampling frequency select signal input (connected to ground)
5	VDDI	—	Power supply pin (+2.5 V)
6	FS1	I	Sampling frequency select signal input (connected to ground)
7	PLOCK	O	Internal PLL lock signal output (Not used (open))
8	VSS	—	Ground
9	MCLK1	I	System clock signal input (13.5 MHz)
10	VDDI	—	Power supply pin (+2.5 V)
11	VSS	—	Ground
12	MCLK2	O	System clock signal output (13.5 MHz)
13	MS	I	Master/slave operation select signal input (L : internal clock, H : EXTIN clock)
14	SCKOUT	O	Serial clock signal output
15	LRCKI1	I	L/R sampling clock signal input (Not used (open))
16	VDDE	—	Power supply pin (+3.3 V)
17	BCKI1	I	Bit clock signal input (Not used (open))
18	SDI1	I	Audio serial data input
19	LRCKO	O	L/R sampling clock signal output
20	BCKO	O	Bit clock signal output
21	VSS	—	Ground
22	KFSIO	I/O	Audio clock signal (384fs/256fs) input/output
23 to 26	SDO1 to SDO4	O	Audio serial data output
27	SPDIF	O	S/PDIF output (Not used (open))
28	LRCKI2	I	L/R sampling clock signal input
29	BCKI2	I	Bit clock signal input
30	SDI2	I	Audio serial data input
31	VSS	—	Ground
32	HACN	O	Host acknowledge signal output
33	HDIN	I	Host serial data input
34	HCLK	I	Host clock signal input
35	HDOOUT	O	Host serial data output
36	HCS	I	Host chip select input
37	SDCLK	O	Not used (open)
38	CLKEN	O	Not used (open)
39	RAS	O	Row address strobe signal output (Not used (open))
40	VDDI	—	Power supply pin (+2.5 V)
41	VSS	—	Ground
42	CAS	O	Column address strobe signal output (Not used (open))
43	DQM/OE0	O	Not used (open)
44	CS0	O	Chip select signal output
45	WE0	O	Write enable signal output
46	VDDE	—	Power supply pin (+3.3 V)
47	WMD1	I	External memory wait mode setting signal input (connected to H)
48	VSS	—	Ground
49	WMD0	I	External memory wait mode setting signal input (connected to ground)
50	PAGE2	O	External memory page select signal output (Not used (open))
51	VSS	—	Ground
52, 53	PAGE1, PAGE0	O	External memory page select signal output (Not used (open))
54	BOOT	I	Boot mode control signal input (connected to ground)
55	BTACT	O	Boot mode display signal output (Not used (open))

Pin No.	Pin Name	I/O	Pin Description
56	BST	I	Boot stop signal input
57	MOD1	I	Mode select signal input (L : 384fs, H : 256fs)
58	MOD0	I	Mode select signal input (L : single chip mode, H : use prohibited)
59	EXLOCK	I	External lock signal input
60	VDDI	—	Power supply pin (+2.5 V)
61	VSS	—	Ground
62, 63	A17, A16	O	Address signal output (Not used (open))
64 to 66	A15 to A13	O	Address signal output (SRAM)
67	GP10	O	L/R sampling clock signal output
68	GP9	O	GP9 signal output
69	GP8	I	Audio signal input
70	VDDI	—	Power supply pin (+2.5 V)
71	VSS	—	Ground
72 to 75	D15/GP7 to D12/GP4	I/O	External memory data input/output (general port)
76	VDDE	—	Power supply pin (+3.3 V)
77 to 80	D11/GP3 to D8/GP0	I/O	External memory data input/output (general port)
81	VSS	—	Ground
82	A9	O	Address signal output (SRAM)
83 to 85	A12 to A10	O	Address signal output (SRAM)
86	TDO	O	Emulation data output (Not used (open))
87	TMS	I	Emulation start/end select data input (Not used (open))
88	XTRST	I	Emulation break signal input (Not used (open))
89	TCK	I	Emulation clock signal input (Not used (open))
90	TDI	I	Emulation data input (Not used (open))
91	VSS	—	Ground
92 to 97	A8 to A3	O	Address signal output (SRAM)
98, 99	D7, D6	I/O	External memory data input/output (SRAM)
100	VDDI	—	Power supply pin (+2.5 V)
101	VSS	—	Ground
102 to 105	D5 to D2	I/O	External memory data input/output (SRAM)
106	VDDE	—	Power supply pin (+3.3 V)
107, 108	D1, D0	I/O	External memory data input/output (SRAM)
109, 110	A2, A1	O	Address signal output (SRAM)
111	VSS	—	Ground
112	A0	O	Address signal output (SRAM)
113	PM	I	PLL initialization signal input
114, 115	SDI3, SDI4	I	Audio serial data input (Not used (open))
116	SYNC	I	Sync/unsync select signal input (L : sync, H : unsync)
117 to 119	VSS	—	Ground
120	VDDI	—	Power supply pin (+2.5 V)

• IC1551 CXD9616R (AUDIO DSP2) (DIGITAL Board (3/4))

Pin No.	Pin Name	I/O	Pin Description
1	VDDI	—	Power supply pin (+2.5 V)
2	EXTIN	I	Not used (connected to ground)
3, 4	WMD1, WMD0	I	External memory wait mode setting signal input (connected to H)
5	MOD1	I	Mode select signal input (L : 384fs, H : 256fs)
6	MOD0	I	Mode select signal input (L : single chip mode, H : use prohibited)
7	VSS	—	Ground
8	XRST	I	Reset signal input
9	VSS	—	Ground
10	SCKOUT	O	Serial clock signal output
11	VDDI (PLL)	—	Power supply pin (+2.5 V) (for PLL)
12	SYNC	I	Sync/unsync select signal input (L : sync, H : unsync)
13 to 15	PAGE2 to PAGE0	O	External memory page select signal output (Not used (open))
16	PLOCK	O	Internal PLL lock signal output
17	BTACT	O	Boot mode display signal output (Not used (open))
18	VDDE	—	Power supply pin (+3.3 V)
19	VSS	—	Ground
20 to 22	D31 to D29	I/O	External memory data input/output (SRAM)
23	A17	O	Address signal output (Not used (open))
24	VSS	—	Ground
25, 26	SDO3, SDO4	O	Audio serial data output
27, 28	SDI1, SDI2	I	Audio serial data input
29	LRCKI1	I	L/R sampling clock signal input
30	VSS	—	Ground
31, 32	D28, D27	I/O	External memory data input/output (SRAM)
33	A16	O	Address signal output (Not used (open))
34	A15	O	Address signal output (SRAM)
35	SDI3	I	Audio serial data input
36	L2	O	Not used (open)
37	VDDI	—	Power supply pin (+2.5 V)
38	BCKI1	I	Bit clock signal input
39	SDI4	I	Audio serial data input
40	MS	I	Master/slave operation select signal input (L : internal clock, H : EXTIN clock)
41, 42	A14, A13	O	Address signal output (SRAM)
43, 44	D26, D25	I/O	External memory data input/output (SRAM)
45	VSS	—	Ground
46	BCKI2	I	Bit clock signal input (Not used (open))
47, 48	FS2, FS1	I	Sampling frequency select signal input (connected to ground)
49	SPDIF	O	S/PDIF output (Not used (open))
50	A12	O	Address signal output (SRAM)
51 to 53	D24 to D22	I/O	External memory data input/output (SRAM)
54	VDDE	—	Power supply pin (+3.3 V)
55	VSS	—	Ground
56 to 58	D21 to D19	I/O	External memory data input/output (SRAM)
59	A11	O	Address signal output (SRAM)
60, 61	SDO1, SDO2	O	Audio serial data output
62	KFSIO	I/O	Audio clock signal (384fs/256fs) input/output
63	LRCKO	O	L/R sampling clock signal output
64	BCKO	O	Bit clock signal output
65	VDDI	—	Power supply pin (+2.5 V)
66	VSS	—	Ground
67, 68	D18, D17	I/O	External memory data input/output (SRAM)
69, 70	A10, A9	O	Address signal output (SRAM)

Pin No.	Pin Name	I/O	Pin Description
71	CAS	O	Column address strobe signal output
72	RAS	O	Row address strobe signal output
73	VDDI	—	Power supply pin (+2.5 V)
74	HDIN	I	Host serial data input
75	HCLK	I	Host clock signal input
76	HCS	I	Host chip select input
77, 78	A8, A7	O	Address signal output (SRAM)
79	D16	I/O	External memory data input/output (SRAM)
80	D15	I/O	External memory data input/output (SRAM) (Not used (open))
81	VSS	—	Ground
82	HDOOUT	O	Host serial data output
83	HACN	O	Host acknowledge signal output
84	CS0	O	Chip select signal output
85	WE0	O	Write enable signal output
86	A6	O	Address signal output (SRAM)
87 to 89	D14 to D12	I/O	External memory data input/output (SRAM) (Not used (open))
90	VDDE	—	Power supply pin (+3.3 V)
91	VSS	—	Ground
92 to 94	D11 to D9	I/O	External memory data input/output (SRAM) (Not used (open))
95	A5	O	Address signal output (SRAM)
96	VDDI	—	Power supply pin (+2.5 V)
97	TCK	I	Emulation clock signal input (Not used (open))
98	TDI	I	Emulation data input (Not used (open))
99	TDO	O	Emulation data output (Not used (open))
100	TMS	I	Emulation start/end select data input (Not used (open))
101	XTRST	I	Emulation break signal input (Not used (open))
102	VSS	—	Ground
103, 104	D8, D7	I/O	External memory data input/output (SRAM) (Not used (open))
105, 106	A4, A3	O	Address signal output (SRAM)
107, 108	GP10, GP9	—	Not used (open)
109	VDDI	—	Power supply pin (+2.5 V)
110	GP8	—	Not used (open)
111	GP7	I	Serial clock signal input
112	GP6	—	Not used (open)
113, 114	A2, A1	O	Address signal output (SRAM)
115, 116	D6, D5	I/O	External memory data input/output (SRAM) (Not used (open))
117	VSS	—	Ground
118, 119	GP5, GP4	—	Not used (open)
120	GP3	O	Error signal output
121	NC	—	Not used (open)
122	A0	O	Address signal output (SRAM)
123 to 125	D4 to D2	I/O	External memory data input/output (SRAM) (Not used (open))
126	VDDE	—	Power supply pin (+3.3 V)
127	VSS	—	Ground
128, 129	D1, D0	I/O	External memory data input/output (SRAM) (Not used (open))
130	GP2	—	Not used (open)
131	GP1	I	Clock signal input
132	GP0	I	Serial clock signal input
133	SDCLK	O	Not used (open)
134	CLKEN	O	Not used (open)
135	DQM	O	Not used (open)
136	EXLOCK	I	External lock signal input

Pin No.	Pin Name	I/O	Pin Description
137	VDDI	—	Power supply pin (+2.5 V)
138	VSS	—	Ground
139	MCLK2	O	System clock signal output (13.5 MHz)
140	PM	I	PLL initialization signal input
141	BST	I	Boot stop signal input
142	BOOT	I	Boot mode control signal input (connected to ground)
143	TST	I	Not used (open)
144	MCLK1	I	System clock signal input (13.5 MHz)

• IC1101 MB91154PFV-G-106-BNDE1 (SYSTEM CONTROLLER) (DIGITAL Board (4/4))

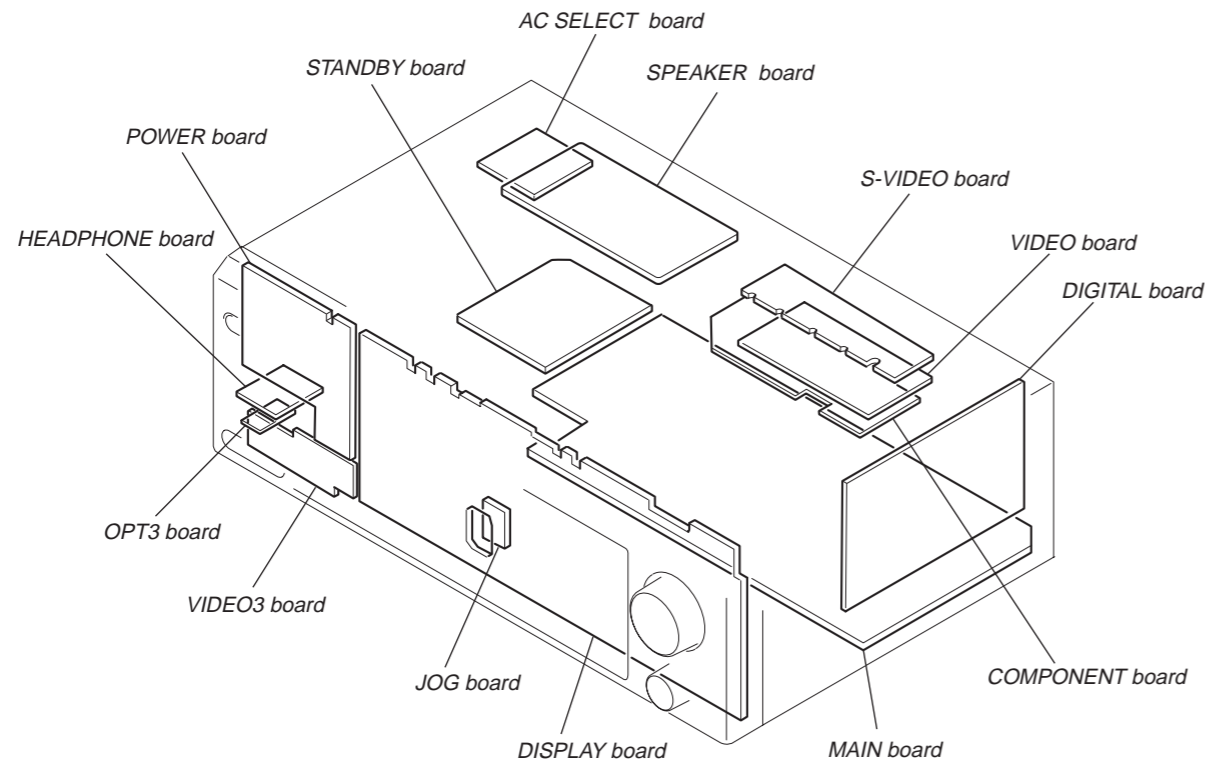
Pin No.	Pin Name	I/O	Pin Description
1	6.1_LAT	O	MULTI CH IN SW IC
2	6.1_DATA	O	MULTI CH IN SW IC
3	6.1_CLK	O	MULTI CH IN SW IC
4	V_AUDIO_LAT	O	VIDEO (AU) SW CONTROL
5	LED_DRV_DATA	O	LED DRIVER IC
6	LED_DRV_CLK	O	LED DRIVER IC
7	LED_DRV_CLR	O	LED DRIVER IC
8	LED_DRV_CE	O	LED DRIVER IC
9	VSS	—	Ground
10	CURSOR_JOG_3A	I	CURSOR JOG ENCODER
11	CURSOR_JOG_3B	I	CURSOR JOG ENCODER
12	FUNCTION_JOG_1A	I	FUNCTION JOG ENCODER
13	FUNCTION_JOG_1B	I	FUNCTION JOG ENCODER
14	VOL_JOG_2B	I	VOLUME JOG ENCODER
15	VOL_JOG_2A	I	VOLUME JOG ENCODER
16	SPK_SEL	I	SPEAKER SELECT SW
17	SP_B_RY	O	SPEAKER B RELAY
18	HP_RY	O	HP RELAY CONTROL
19	SP_A_RY	O	FRONT CH RELAY CONTROL
20	CENTER_RY	O	CENTER RELAY CONTROL
21	REAR_RY	O	REAR CH RELAY CONTROL
22	WOOFER_RY	O	WOOFER RELAY CONTROL
23	PROTECTOR	I	PROTECTOR CIRCUIT
24	HP_CTRL	I	HP DETECTION SW
25	PW_RY	O	POWER RELAY CONTROL
26	VSS	—	Ground
27	VCC	—	Power supply pin (+3.2 V)
28	TUNER_STEREO	I	TUNER PACK
29	TUNER_AUTO_STOP	I	TUNER PACK
30	TUNER_MUTE	O	TUNER PACK
31	TUNER_DO	I	TUNER PACK
32	T.SERIAL_CLK	O	TUNER PACK
33	T.DATA	O	TUNER PACK
34	T.LAT	O	TUNER PACK
35	RDS_DATA	I	TUNER PACK
36 to 39	V.SW1 to V.SW4	O	VIDEO SWITCHING IC
40	PRE OUT RY	O	PRE OUT RELAY CONTROL
41	SUB-T	O	SUB TRANSFORMER VOLT O/P
42	TC74HC153_A	O	OPTICAL INPUT SW
43	DIR XMODE	O	DIR IC
44	VSS	—	Ground
45	DIR CKSEL1	O	DIR IC
46	DIR CLK	O	DIR IC
47	DSP1.HDOUT1	I	AUDIO DSP1 IC
48	DSP1.PLL1	I	AUDIO DSP1 IC
49	DSP2.GP3	I	AUDIO DSP2 IC
50	DSP2.EXLOCK	O	AUDIO DSP2 IC
51	MBUS_STATUS_OUT	O	MBUS IC
52	MD2	—	FLASH PROGRAMMING
53	MD1	—	FLASH PROGRAMMING
54	MD0	—	FLASH PROGRAMMING
55	RSTX	I	RESET IC

Pin No.	Pin Name	I/O	Pin Description
56	VCC	—	Power supply pin (+3.2 V)
57	X1	I	System clock signal input (16.5 MHz)
58	X0	O	System clock signal output (16.5 MHz)
59	VSS	—	Ground
60	VOLT_DETECT_STOP	I	VOLTAGE DOWN DETECT
61	RDS_INT	I	TUNER PACK
62	PW_ON/OFF	I	POWER SW
63	MBUS_TV	I	MBUS IC
64	MBUS_DVD	I	MBUS IC
65	MBUS_VIDEO	I	MBUS IC
66	SIRCS	I	REMOTE SENSOR
67	DIR CE	O	DIR IC
68	VCC	—	Power supply pin (+3.2 V)
69	DI	I	DIR IC
70	D.DO	O	DIR IC
71	ERROR	I	DIR IC
72	9617.XRST1	O	AUDIO DSP1 IC
73	9617.PM1	O	AUDIO DSP1 IC
74	9617.GP9	I	AUDIO DSP1 IC
75	9617.BST1	O	AUDIO DSP1 IC
76	9617.HCS1	O	AUDIO DSP1 IC
77	VCC	—	Power supply pin (+3.2 V)
78	9617.HACN1	I	AUDIO DSP1 IC
79	DATA0	I	DIR IC
80	XSTATE	I	DIR IC
81	9616.BST2	O	AUDIO DSP2 IC
82	9616.PM2	O	AUDIO DSP2 IC
83	9616.XRST2	O	AUDIO DSP2 IC
84	9616.HACN2	I	AUDIO DSP2 IC
85	9616.HCS2	O	AUDIO DSP2 IC
86	A1 IN	I	CONTROL A1 CIRCUIT
87	A1 OUT	O	CONTROL A1 CIRCUIT
88	PCM1800.RST	O	A/D IC
89	PCM1604.RST	O	D/A IC
90	PCM1604.ML	O	D/A IC
91	PCM1604.MC	O	D/A IC
92	PCM1604.MD1	O	D/A IC
93	PCM1604.MD0	I	D/A IC
94	FLASH_A/FREQ_SEL	O	DIR IC
95	FLASH_B/TC74HC153_B	O	OPTICAL INPUT SW
96	FLASH_C	I	SECONDARY FUSE DETECT
97	VCC	—	Power supply pin (+3.2 V)
98	VSS	—	Ground
99	EEPROM.SDA	I/O	EEPROM
100	EEPROM.SCL	I/O	EEPROM
101	VSS	—	Ground
102	9616.HCLK2	O	AUDIO DSP2 IC
103	HDIN2	O	AUDIO DSP2 IC
104	HDOUT2	I	AUDIO DSP2 IC
105	OSD_CLK	O	OSD CIRCUIT
106	OSD_DATA	O	OSD CIRCUIT
107	OSD_LAT	O	OSD CIRCUIT

STR-DE885/DE985

Pin No.	Pin Name	I/O	Pin Description
108	PLL2	I	AUDIO DSP2 IC
109	SOTI	I	FLASH PROGRAMMING
110	SINI	O	FLASH PROGRAMMING
111	FL_CLK	O	FL DRIVER IC
112	FL_DIN	O	FL DRIVER IC
113	FL_LAT	O	FL DRIVER IC
114	FL_CLR	O	FL DRIVER IC
115	PCM1748_ML	O	D/A IC
116	VOL_IC.DATA	O	VOL IC
117	VOL_IC.CLK	O	VOL IC
118	VOL_IC.LAT	O	VOL IC
119	AC_MUTE	O	A-CLASS IC
120	SYSTEM_MUTE	O	MUTING CIRCUIT
121	2ND_RY	O	2ND ROOM RELAY CONTROL
122	VCC	—	Power supply pin (+3.2 V)
123 to 125	DA2 to DA0	—	Not used (open)
126	DAVS	—	Ground
127	DAVC	—	Power supply pin (+3.2 V)
128	AVCC	—	Power supply pin (+3.2 V)
129	AVRH	—	Power supply pin (+3.2 V)
130	AVRL	—	Ground
131	AVSS	—	Ground
132 to 136	AD1 to AD5	I	DISPLAY
137	MODEL	I	Destination (MODEL) initial setting input
138	AREA	I	Destination (AREA) initial setting input
139	RDS_SIGNAL	I	TUNER PACK
140	VCC2	—	Power supply pin (+3.2 V)
141	BACKUP	—	Power supply pin (+3.2 V)
142	X0A	O	Not used (connected to ground)
143	X1A	I	Not used (open)
144	VSS	—	Ground

4-2. CIRCUIT BOARDS LOCATION



THIS NOTE IS COMMON FOR PRINTED WIRING BOARDS AND SCHEMATIC DIAGRAMS.
(In addition to this, the necessary note is printed in each block.)

for schematic diagram:

- All capacitors are in μF unless otherwise noted. pF: μpF
50 WV or less are not indicated except for electrolytics and tantalums.
- All resistors are in Ω and $1/4\text{ W}$ or less unless otherwise specified.
- Δ : internal component.
- : nonflammable resistor.
- : fusible resistor.
- : panel designation.

Note:
The components identified by mark Δ or dotted line with mark Δ are critical for safety.
Replace only with part number specified.

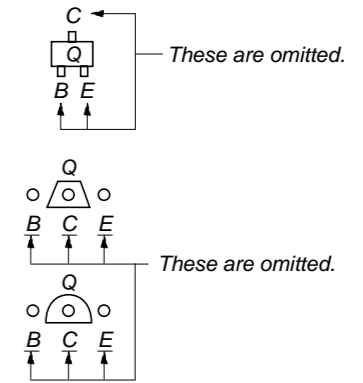
Note:
Les composants identifiés par une marque Δ sont critiques pour la sécurité.
Ne les remplacer que par une pièce portant le numéro spécifié.

- : B+ Line.
- : B- Line.
- Voltage and waveforms are dc with respect to ground under no-signal (detuned) conditions.
no mark : FM
- Voltages are taken with a VOM (Input impedance $10\text{ M}\Omega$).
Voltage variations may be noted due to normal production tolerances.
- Waveforms are taken with a oscilloscope.
Voltage variations may be noted due to normal production tolerances.
- Circled numbers refer to waveforms.
- Signal path.
 - : TUNER (FM/AM)
 - : VIDEO (AUDIO)
 - : VIDEO
 - : CD (ANALOG)
 - : CD (DIGITAL)
- Abbreviation
 - CND : Canadian model.
 - E23 : AC 120/220/240V area in E model.
 - MX : Mexican model.

for printed wiring boards:

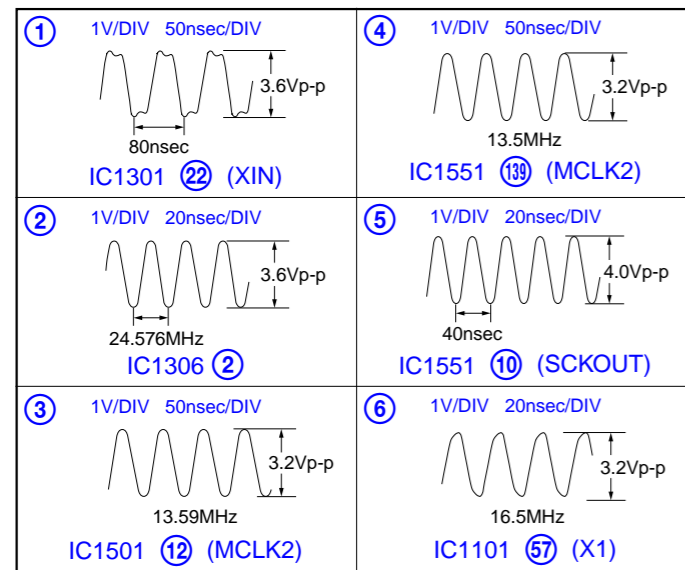
- : parts extracted from the component side.
- Δ : internal component.
- : Pattern from the side which enables seeing.

Caution:
Pattern face side: Parts on the pattern face side seen from the pattern face are indicated. (Side B)
Parts face side: Parts on the parts face side seen from the parts face are indicated. (Side A)

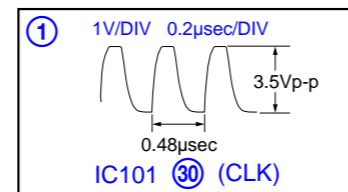


- Abbreviation
 - CND : Canadian model.
 - E23 : AC 120/220/240V area in E model.
 - MX : Mexican model.

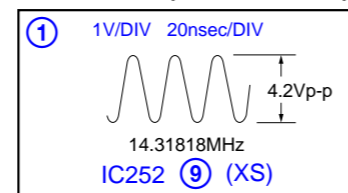
• Waveforms (DIGITAL Board)



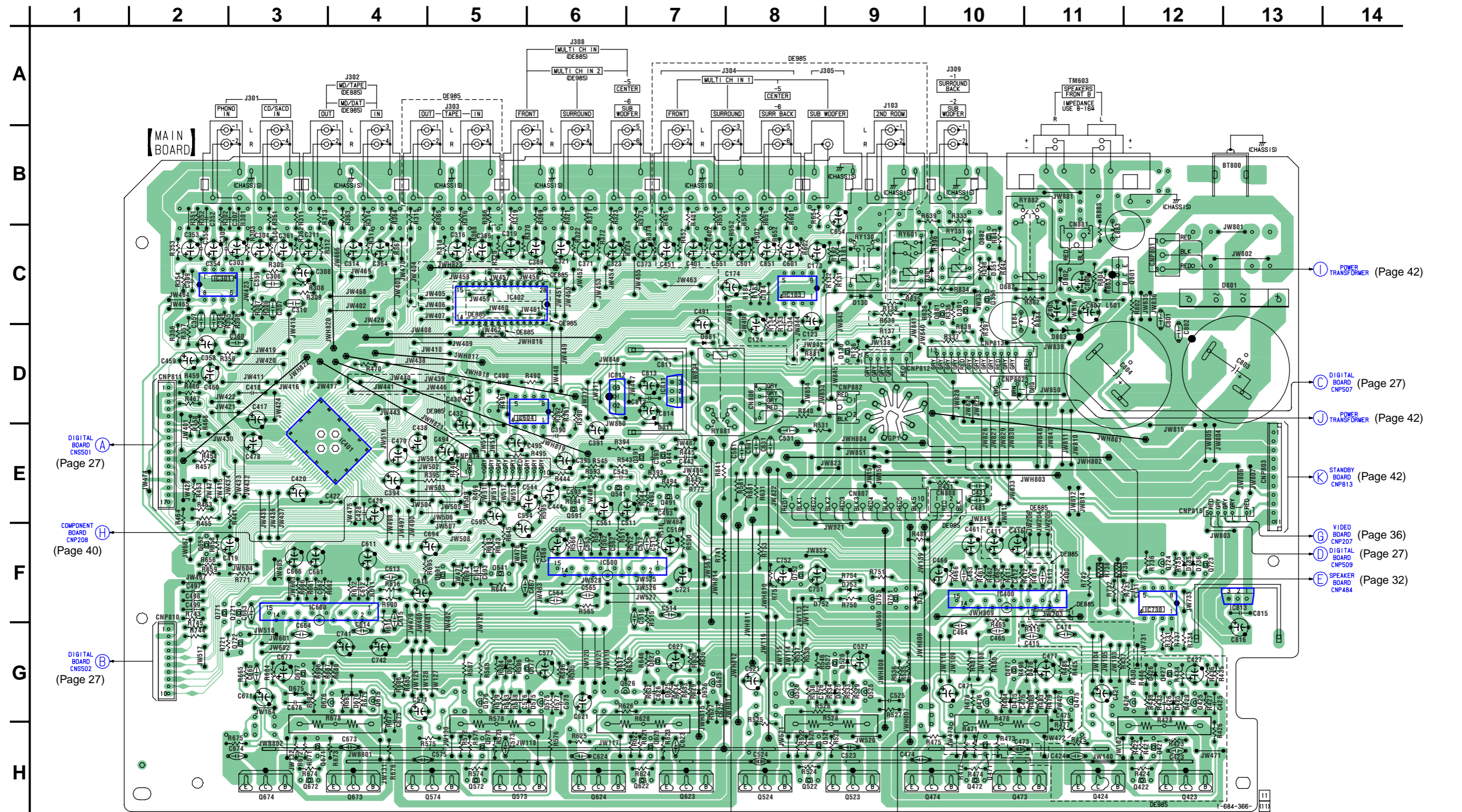
• Waveform (DISPLAY Board)



• Waveform (VIDEO Board)



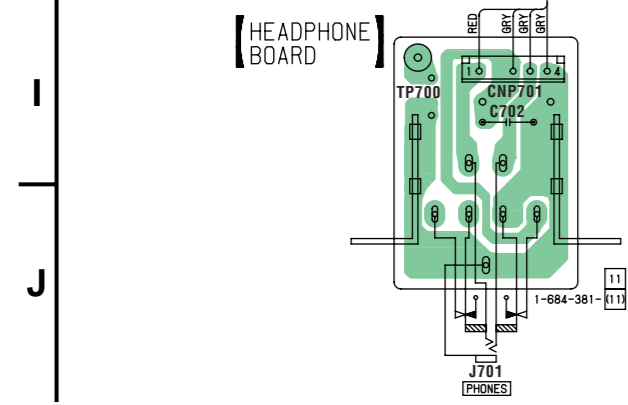
4-3. PRINTED WIRING BOARDS — MAIN SECTION — • Refer to page 21 for Circuit Boards Location and Common Note on Printed Wiring Boards.



- ① POWER TRANSFORMER (Page 42)
- ② DIGITAL BOARD CNP507 (Page 27)
- ③ POWER TRANSFORMER (Page 42)
- ④ STANDBY BOARD CNP813 (Page 42)
- ⑤ VIDEO BOARD CNP207 (Page 36)
- ⑥ DIGITAL BOARD CNP509 (Page 27)
- ⑦ SPEAKER BOARD CNP484 (Page 32)

- ⑧ DIGITAL BOARD CNP501 (Page 27)
- ⑨ COMPONENT BOARD CNP208 (Page 40)
- ⑩ DIGITAL BOARD CNP502 (Page 27)

⑪ SPEAKER BOARD CNP482 (Page 32)

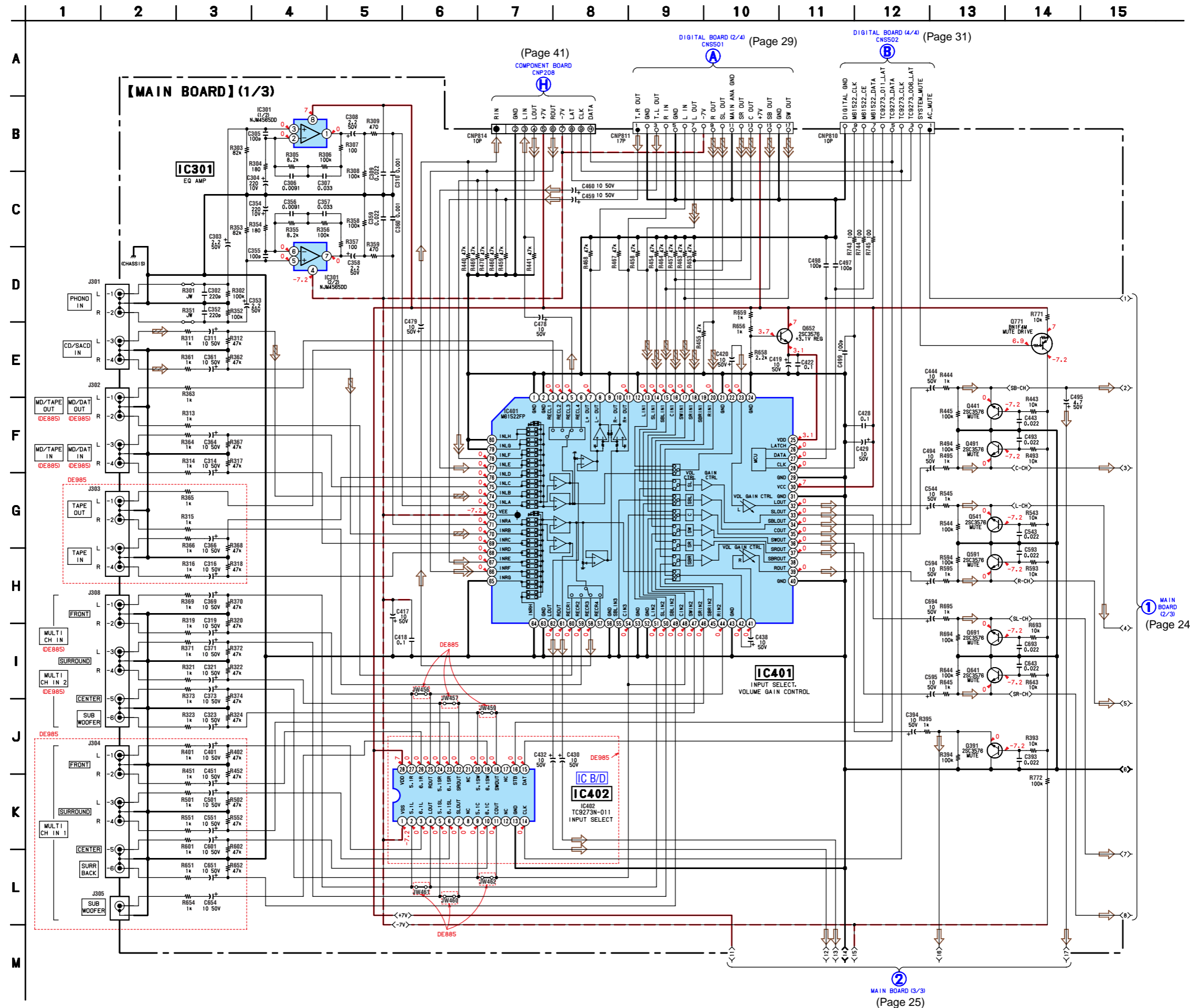


• Semiconductor Location

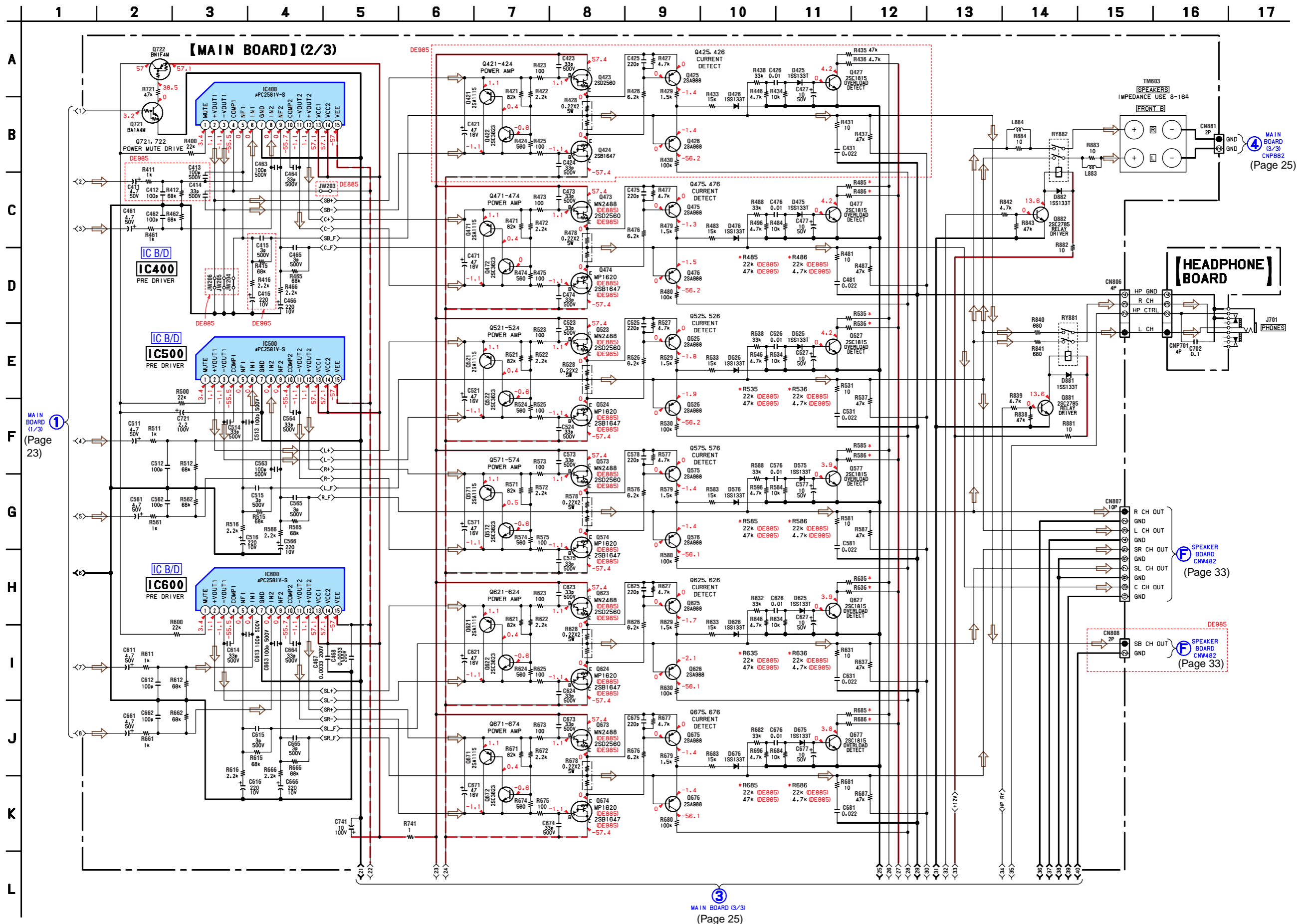
Ref. No.	Location	Ref. No.	Location	Ref. No.	Location	Ref. No.	Location	Ref. No.	Location	Ref. No.	Location	Ref. No.	Location	Ref. No.	Location
(D130)	C-9	D626	G-7	D881	D-7	IC811	D-7	(Q425)	G-12	Q521	H-8	Q575	G-6	Q652	F-2
D301	C-10	D675	G-3	D882	C-10	IC812	D-6	(Q426)	G-12	Q522	H-8	Q576	G-5	Q671	H-3
D351	C-10	D676	G-4			IC813	F-13	(Q427)	G-12	Q523	H-9	Q577	G-6	Q672	H-3
(D425)	G-12	D735	F-12	(IC103)	C-8			Q441	E-7	Q524	H-8	Q591	E-6	Q673	H-4
(D426)	G-12	D736	F-12	IC301	C-2	(Q130)	D-9	Q471	H-10	Q525	G-9	Q621	H-7	Q674	H-3
D475	G-10	D751	F-9	IC400	F-10	Q301	C-10	Q472	H-10	Q526	G-8	Q622	H-7	Q675	G-4
D476	G-11	D752	F-8	IC401	E-4	Q351	C-10	Q473	H-10	Q527	G-9	Q623	H-7	Q676	G-4
D525	G-9	D753	F-9	(IC402)	C-5	Q391	E-7	Q474	H-10	Q541	E-6	Q624	H-6	Q677	G-3
D526	G-9	D801	C-13	IC500	F-6	(Q421)	H-12	Q475	G-11	Q571	H-5	Q625	G-7	Q691	F-5
D575	G-6	D802	C-11	IC600	F-3	(Q422)	H-12	Q476	G-10	Q572	H-5	Q626	G-7	Q721	F-3
D576	G-5	D803	D-11	IC604	D-6	(Q423)	H-12	Q477	G-10	Q573	H-5	Q627	G-7	Q722	G-3
D625	G-7	D811	E-7	IC730	F-12	(Q424)	H-11	Q491	E-7	Q574	H-5	Q641	F-5	Q723	F-12

() : STR-DE985 only

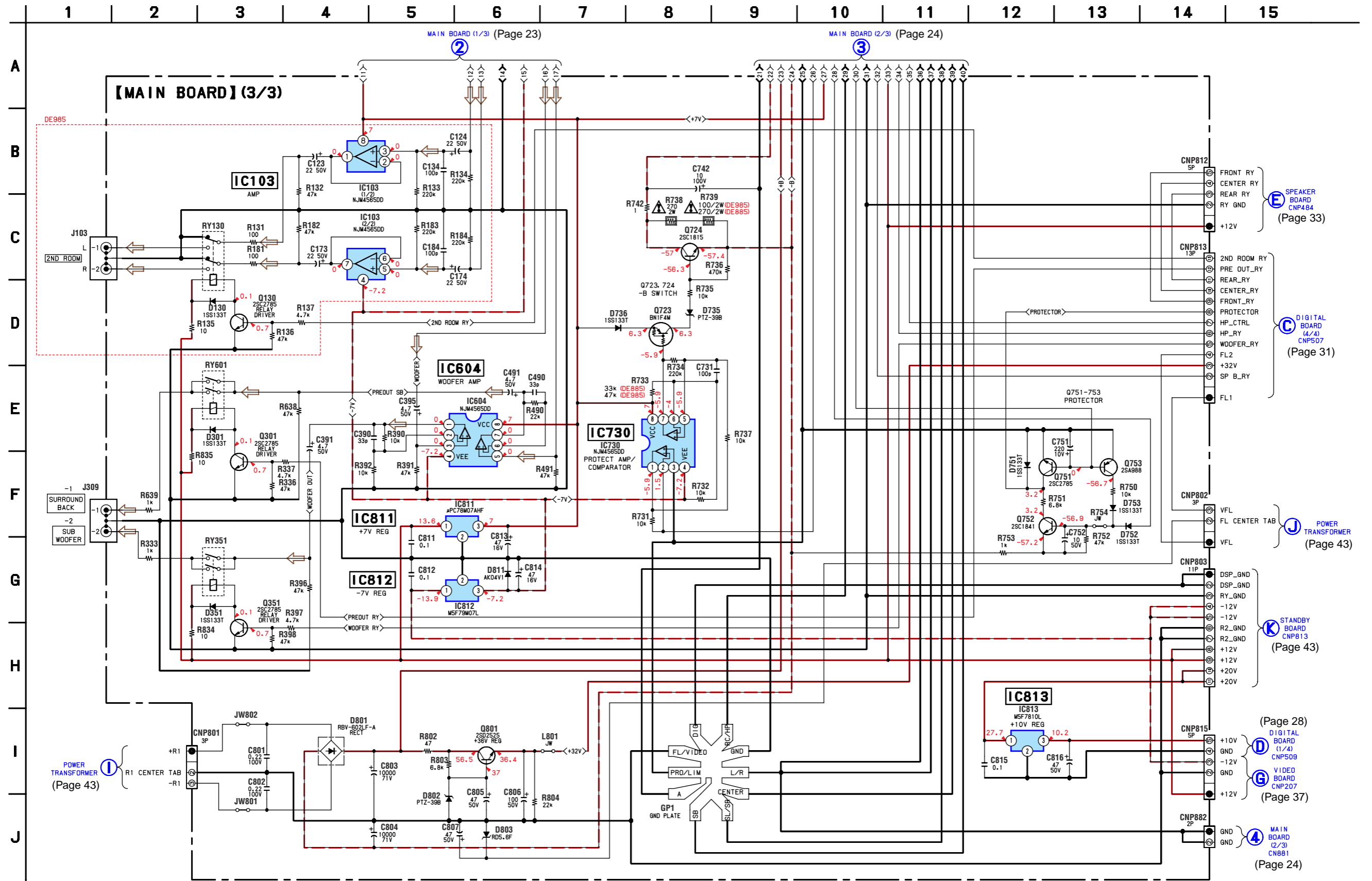
4-4. SCHEMATIC DIAGRAM — MAIN SECTION (1/3) — • Refer to page 21 for Common Note on Schematic Diagram and page 44 for IC Block Diagrams.



4-5. SCHEMATIC DIAGRAM — MAIN SECTION (2/3) — • Refer to page 21 for Common Note on Schematic Diagram and page 44 for IC Block Diagrams.

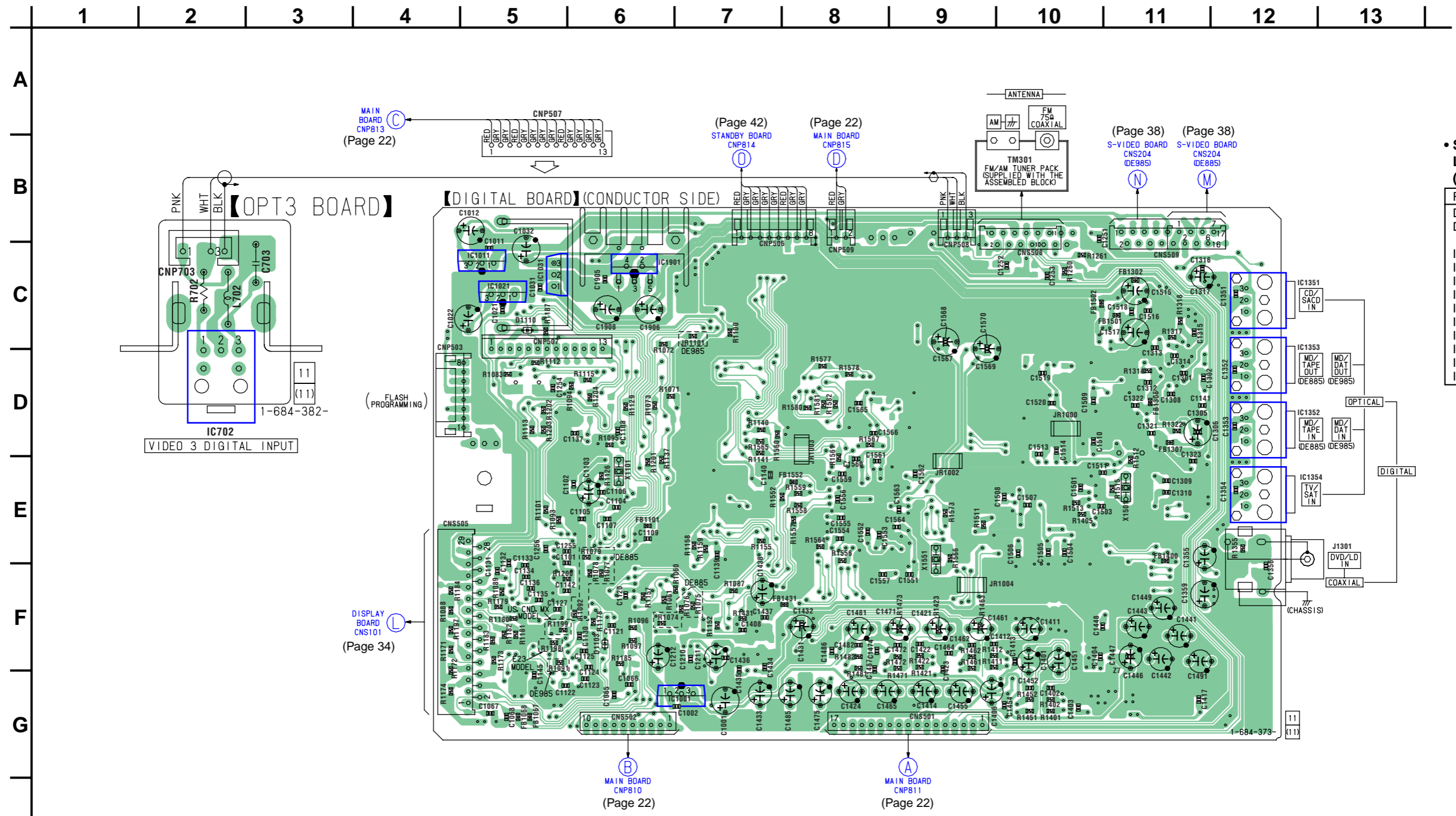


4-6. SCHEMATIC DIAGRAM — MAIN SECTION (3/3) — • Refer to page 21 for Common Note on Schematic Diagram.



<p>The components identified by mark Δ or dotted line with mark Δ are critical for safety. Replace only with part number specified.</p>	<p>Les composants identifiés par une marque Δ sont critiques pour la sécurité. Ne les remplacer que par une pièce portant le numéro spécifié.</p>
---	---

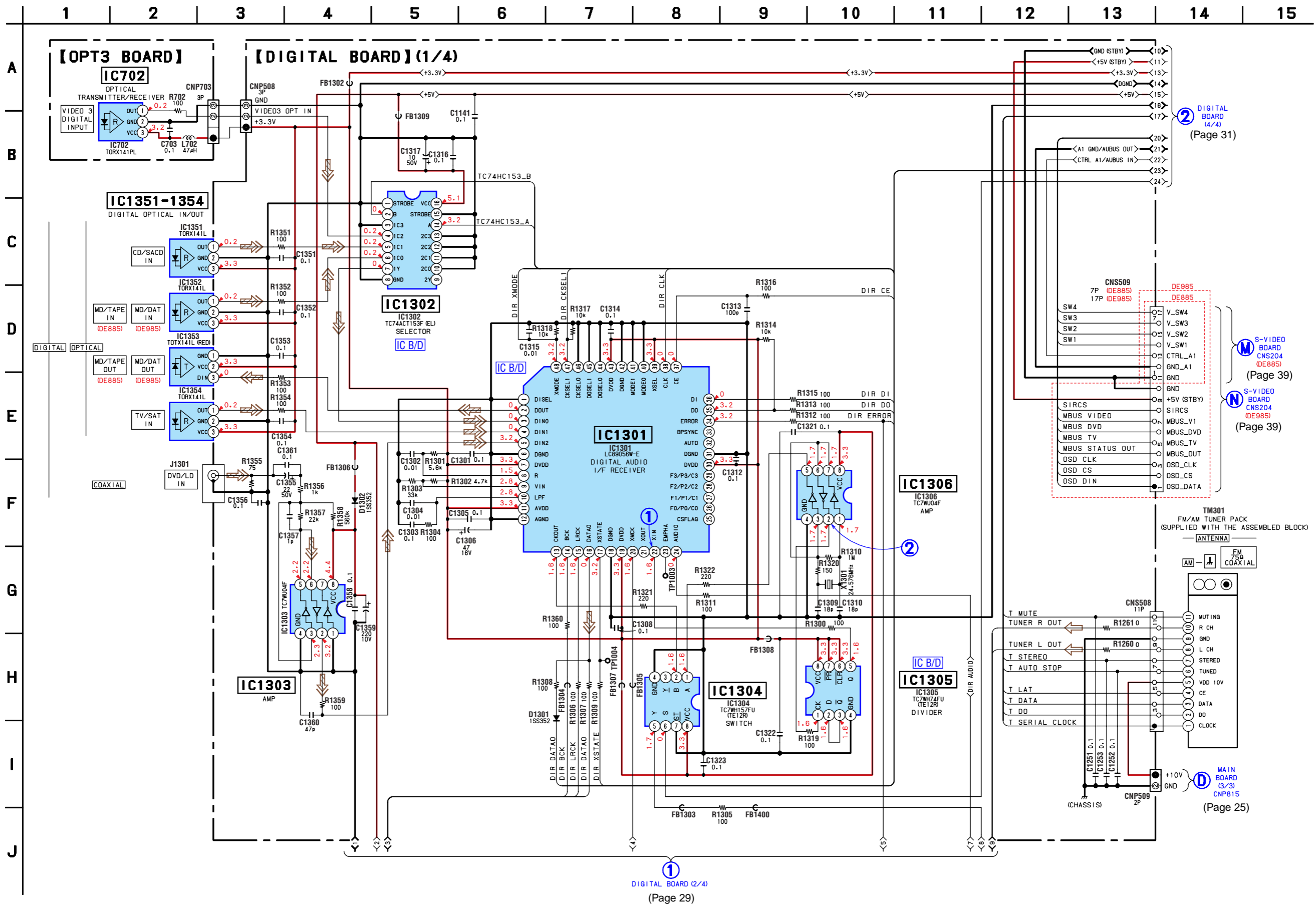
4-8. PRINTED WIRING BOARDS — DIGITAL SECTION (2/2) — • Refer to page 21 for Circuit Boards Location and Common Note on Printed Wiring Boards.



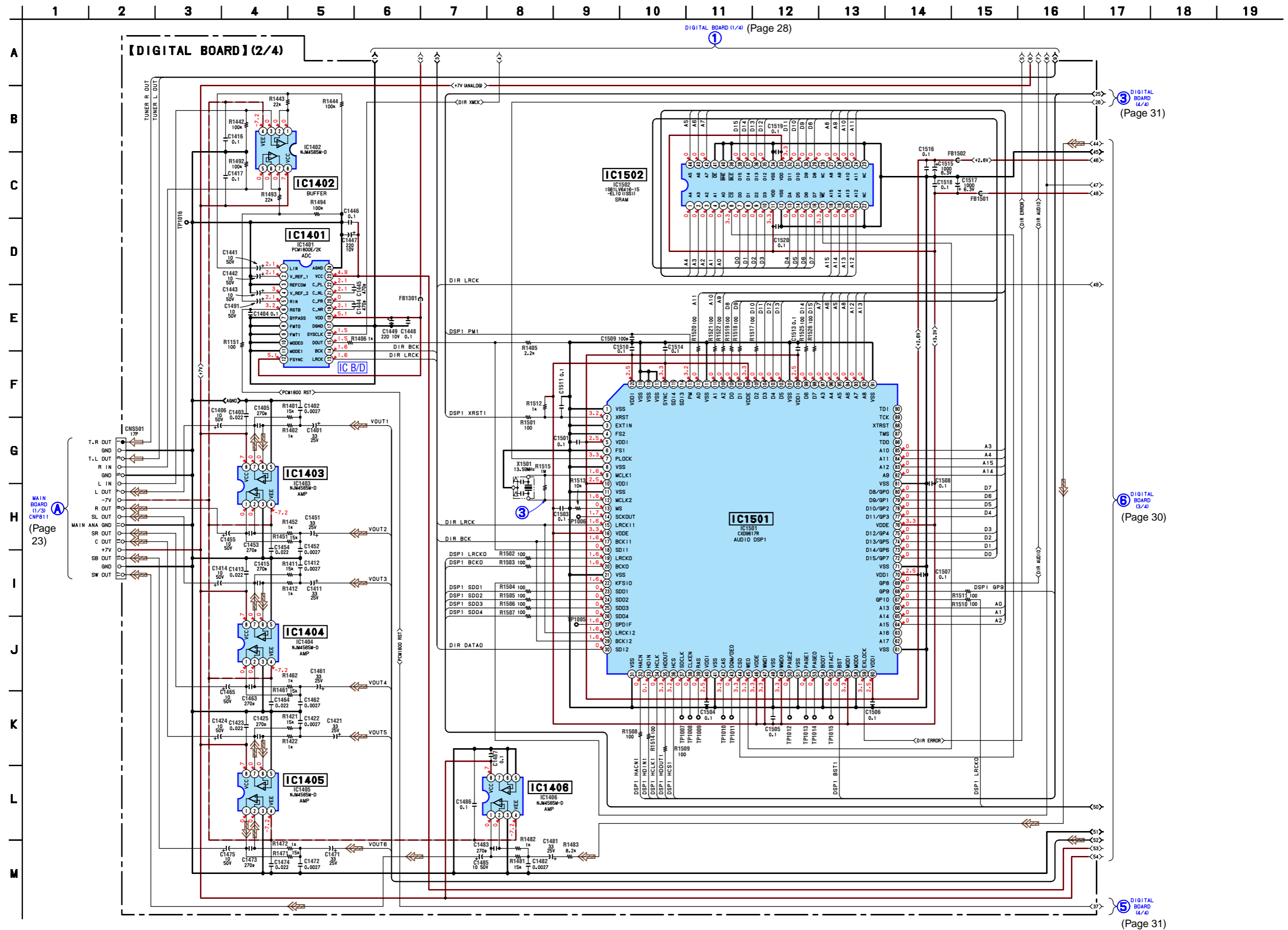
• Semiconductor Location (Conductor side)

Ref. No.	Location
D1103	F-6
D1110	C-5
IC702	D-2
IC1001	G-7
IC1011	C-5
IC1021	C-5
IC1031	C-5
IC1351	C-12
IC1352	D-12
IC1353	D-12
IC1354	E-12
IC1901	C-6

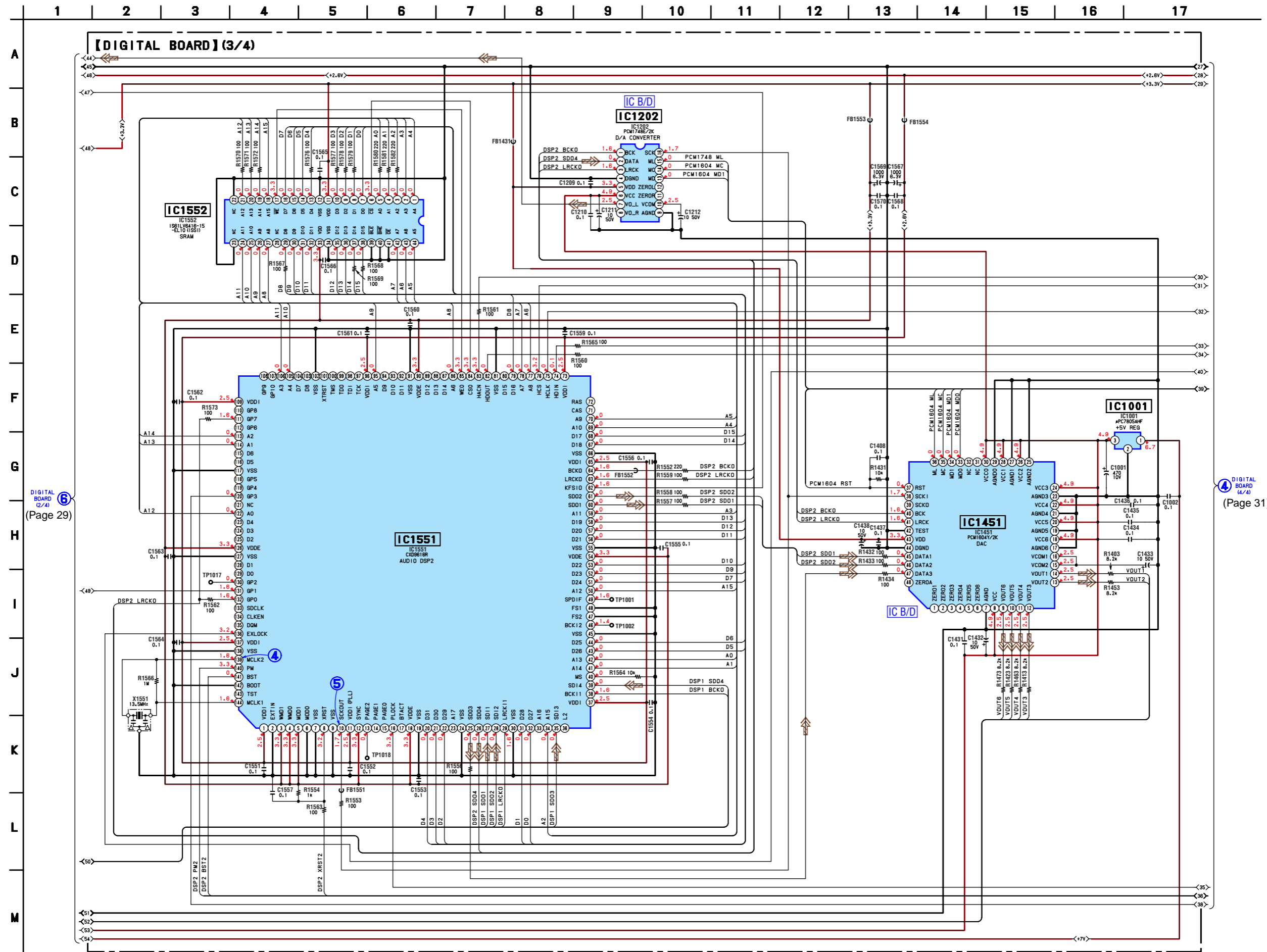
4-9. SCHEMATIC DIAGRAM — DIGITAL SECTION (1/4) — • Refer to page 21 for Common Note on Schematic Diagram and Waveforms and page 44 for IC Block Diagrams.



4-10. SCHEMATIC DIAGRAM — DIGITAL SECTION (2/4) — • Refer to page 21 for Common Note on Schematic Diagram and Waveforms and page 44 for IC Block Diagrams.



4-11. SCHEMATIC DIAGRAM — DIGITAL SECTION (3/4) — • Refer to page 21 for Common Note on Schematic Diagram and Waveforms and page 44 for IC Block Diagrams.



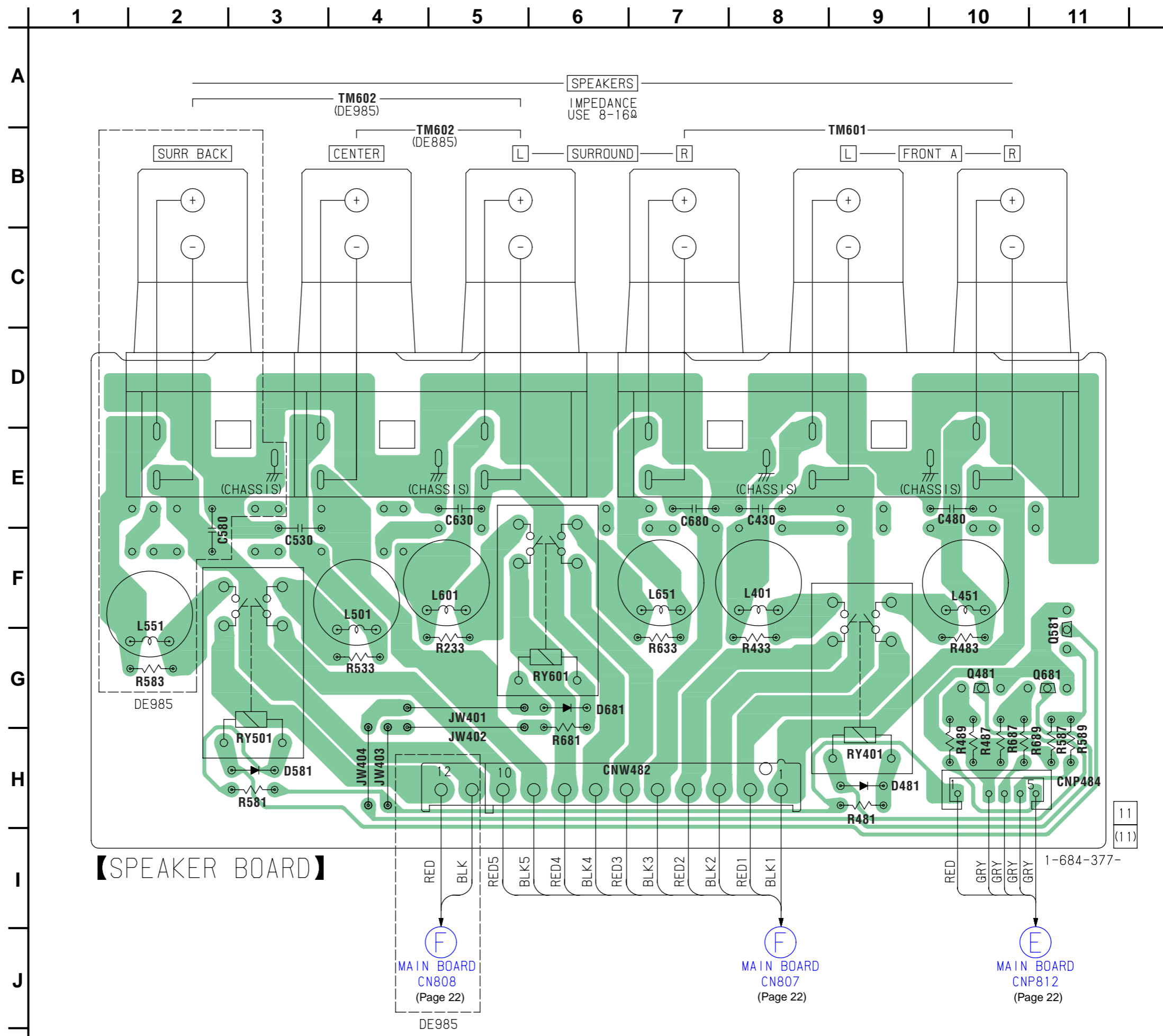
DIGITAL BOARD (2/4) (Page 29)

DIGITAL BOARD (4/4) (Page 31)

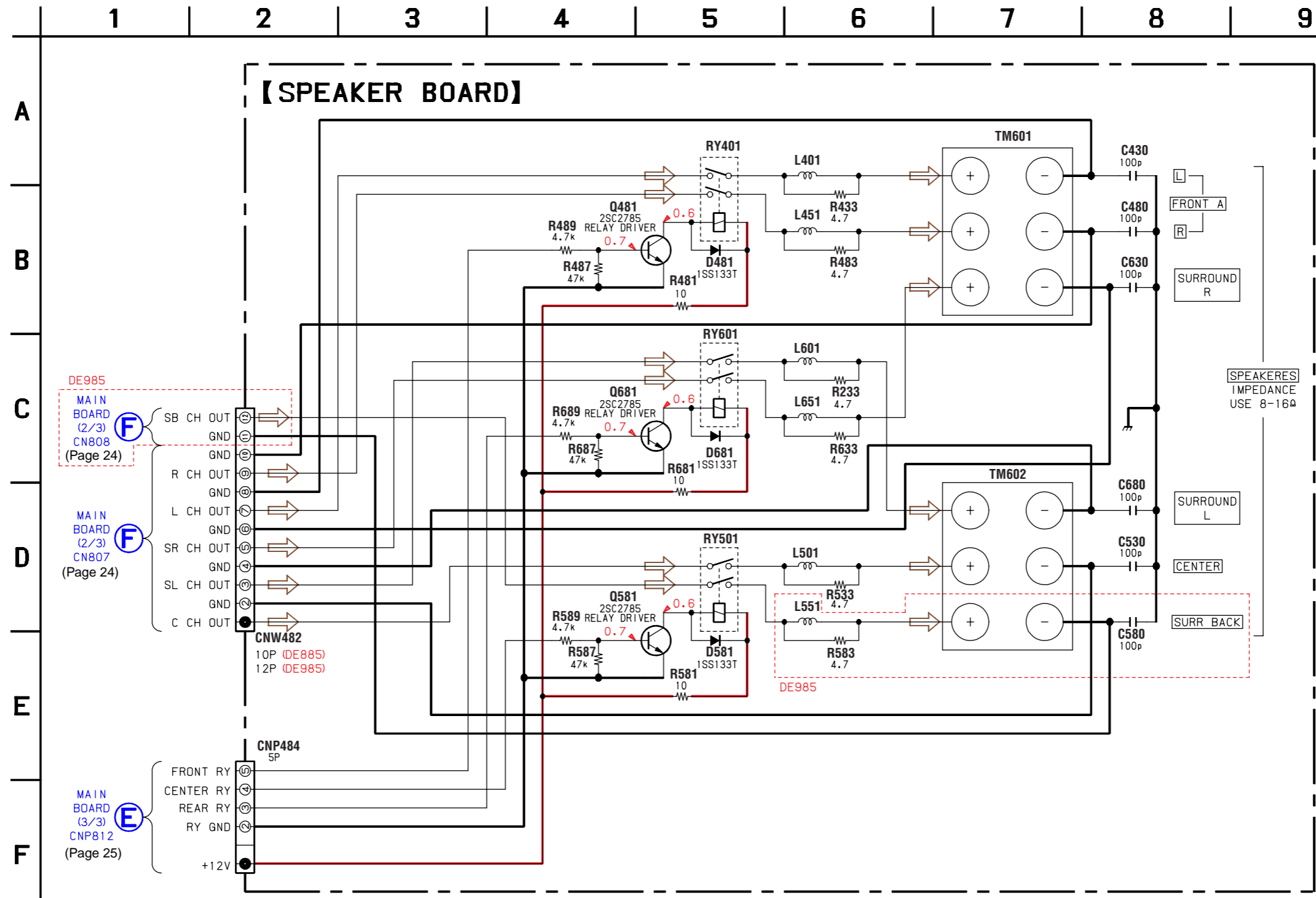
4-13. PRINTED WIRING BOARD — SPEAKER SECTION — • Refer to page 21 for Circuit Boards Location and Common Note on Printed Wiring Boards.

• Semiconductor Location

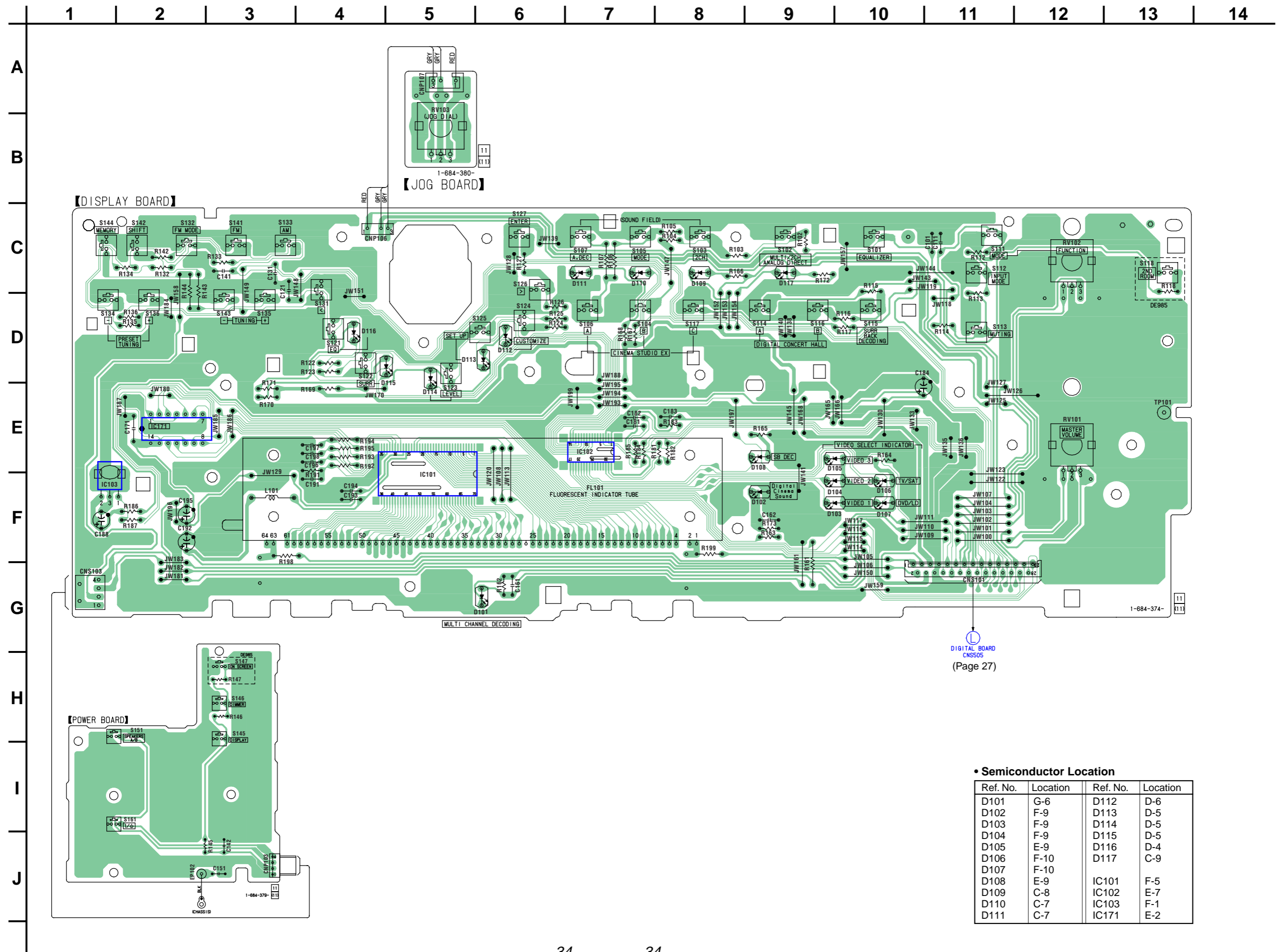
Ref. No.	Location
D481	H-9
D581	H-3
D681	G-6
Q481	G-10
Q581	G-11
Q681	G-11



4-14. SCHEMATIC DIAGRAM — SPEAKER SECTION — • Refer to page 21 for Common Note on Schematic Diagram.



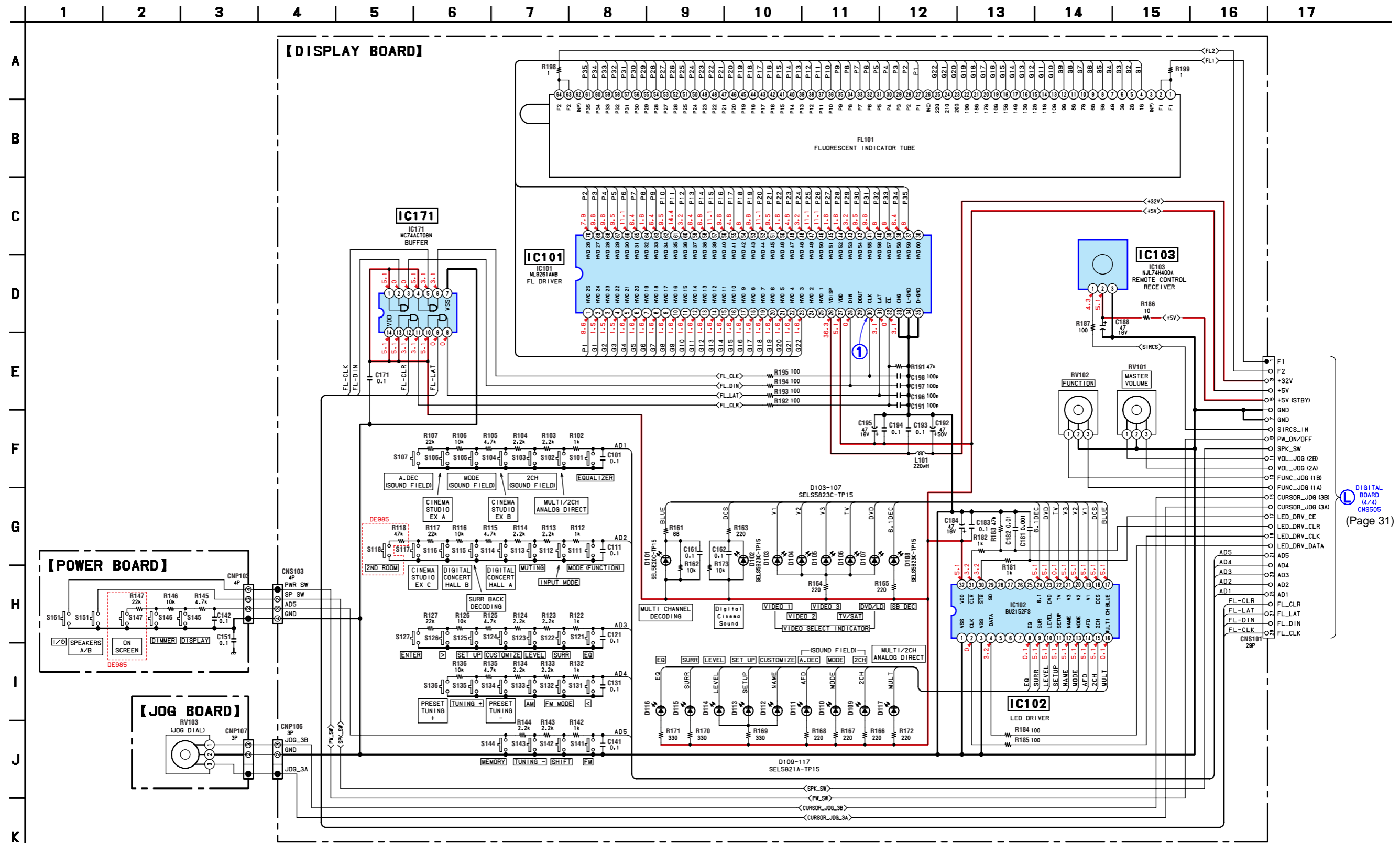
4-15. PRINTED WIRING BOARDS — DISPLAY SECTION — • Refer to page 21 for Circuit Boards Location and Common Note on Printed Wiring Boards.



• Semiconductor Location

Ref. No.	Location	Ref. No.	Location
D101	G-6	D112	D-6
D102	F-9	D113	D-5
D103	F-9	D114	D-5
D104	F-9	D115	D-5
D105	E-9	D116	D-4
D106	F-10	D117	C-9
D107	F-10		
D108	E-9	IC101	F-5
D109	C-8	IC102	E-7
D110	C-7	IC103	F-1
D111	C-7	IC171	E-2

4-16. SCHEMATIC DIAGRAM — DISPLAY SECTION — • Refer to page 21 for Common Note on Schematic Diagram and Waveform.



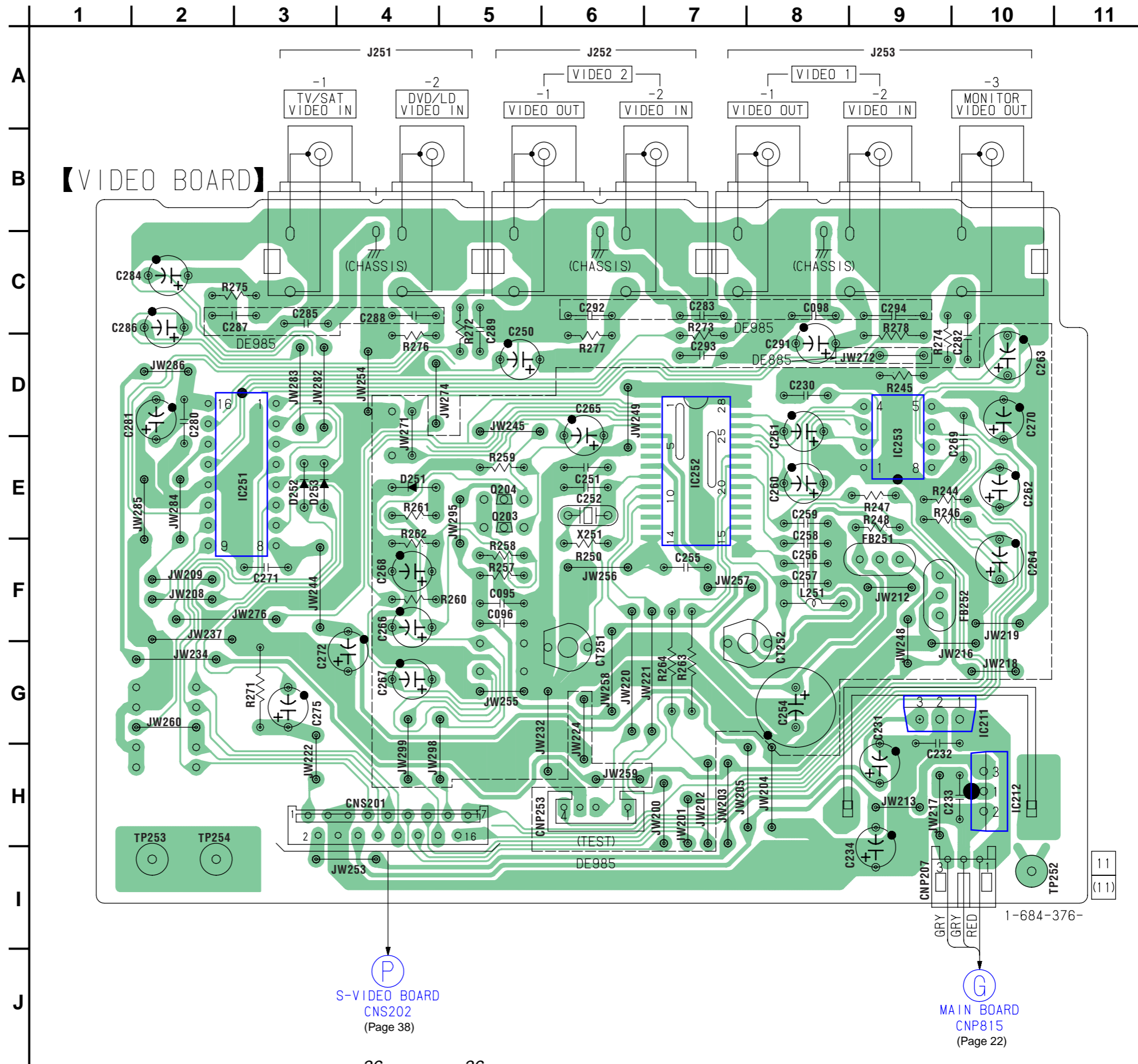
DIGITAL BOARD (4/4) CNS505 (Page 31)

4-17. PRINTED WIRING BOARD — VIDEO SECTION — • Refer to page 21 for Circuit Boards Location and Common Note on Printed Wiring Boards.

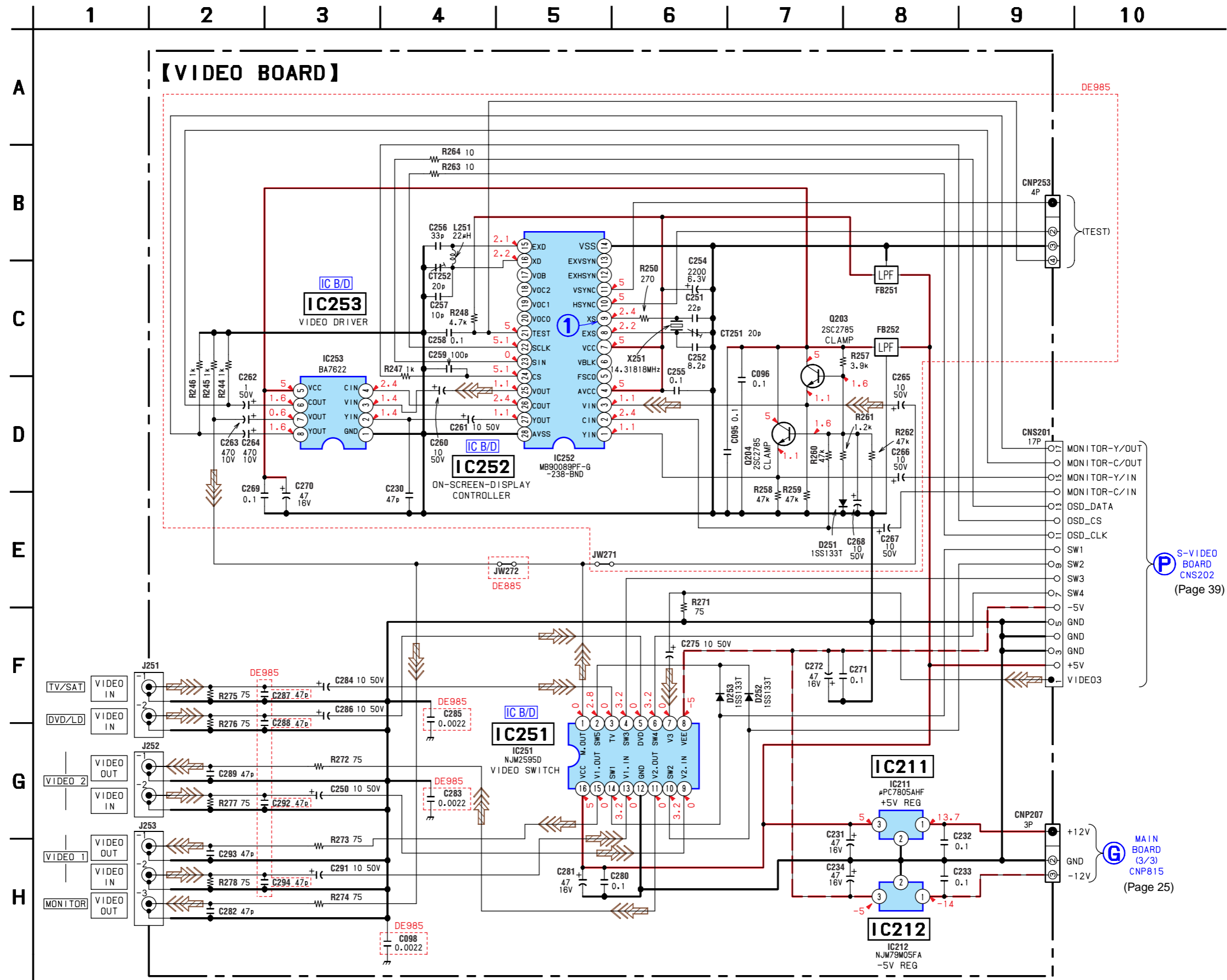
• Semiconductor Location

Ref. No.	Location
(D251)	E-4
D252	E-3
D253	E-3
IC211	G-10
IC212	H-10
IC251	E-3
(IC252)	E-7
(IC253)	E-9
(Q203)	E-5
(Q204)	E-5

() : STR-DE985 only



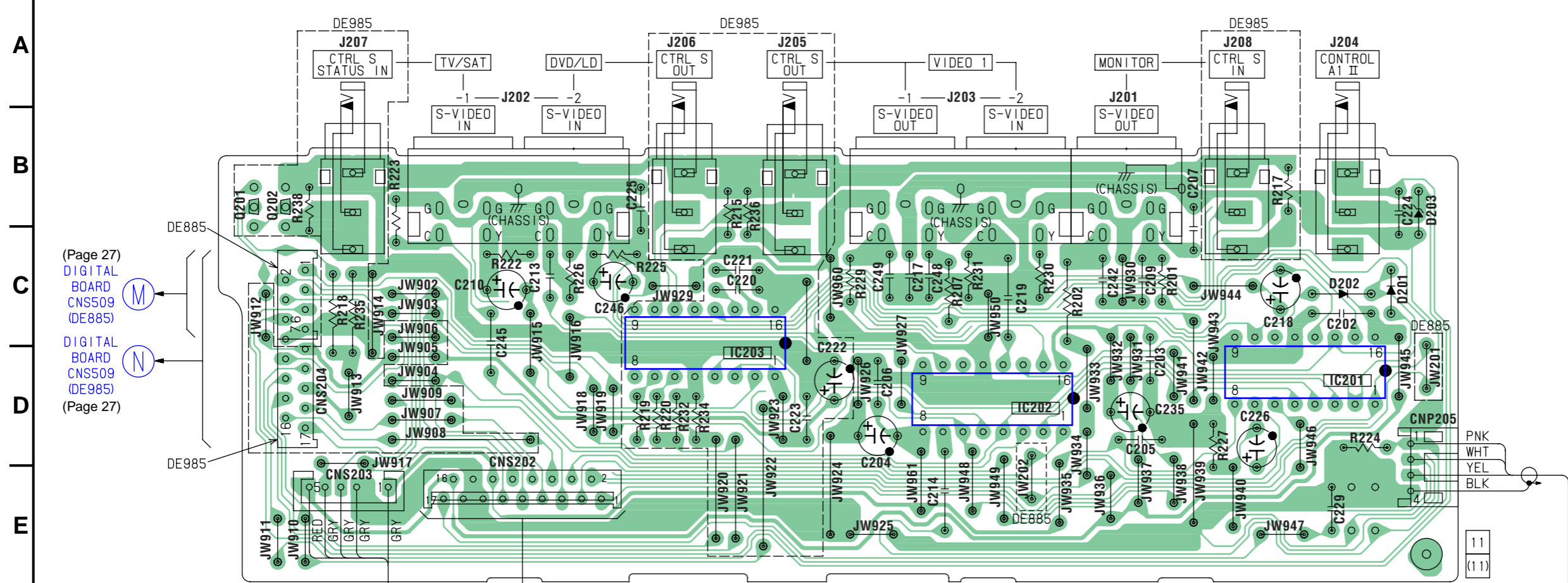
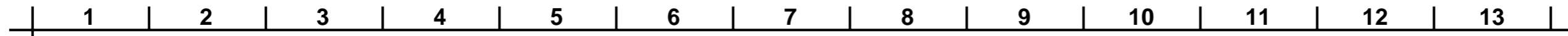
4-18. SCHEMATIC DIAGRAM — VIDEO SECTION — • Refer to page 21 for Common Note on Schematic Diagram and Waveform and page 45 for IC Block Diagrams.



P S-VIDEO BOARD CNS202 (Page 39)

G MAIN BOARD (3/3) CNP815 (Page 25)

4-19. PRINTED WIRING BOARDS — S-VIDEO SECTION — • Refer to page 21 for Circuit Boards Location and Common Note on Printed Wiring Boards.



• Semiconductor Location

Ref. No.	Location
D201	C-12
D202	C-11
D203	B-12
IC201	D-11
IC202	D-9
(IC203)	D-6
(Q201)	B-2
(Q202)	B-3

() : STR-DE985 only

(Page 27)
DIGITAL BOARD
CNS509
(DE885) (M)

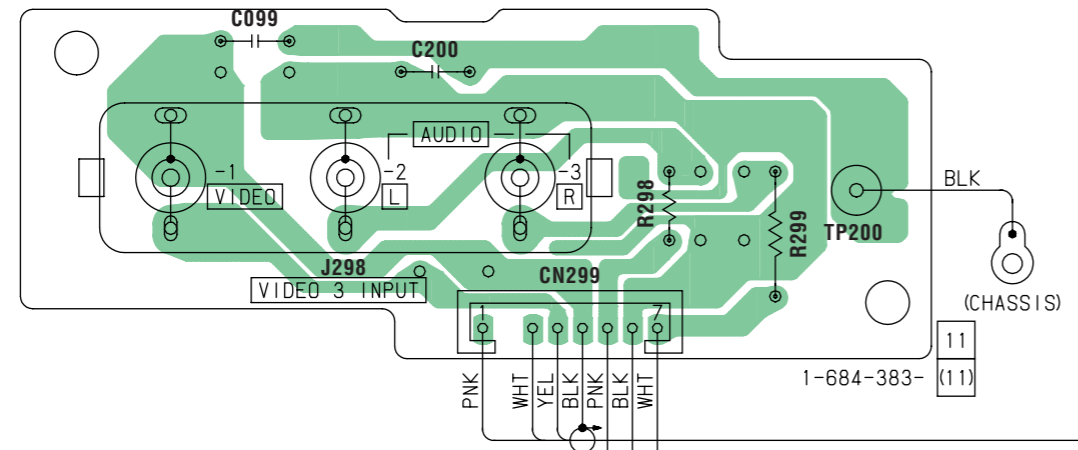
(Page 27)
DIGITAL BOARD
CNS509
(DE985) (N)

【S-VIDEO BOARD】

Q COMPONENT BOARD CNS301 (Page 40)

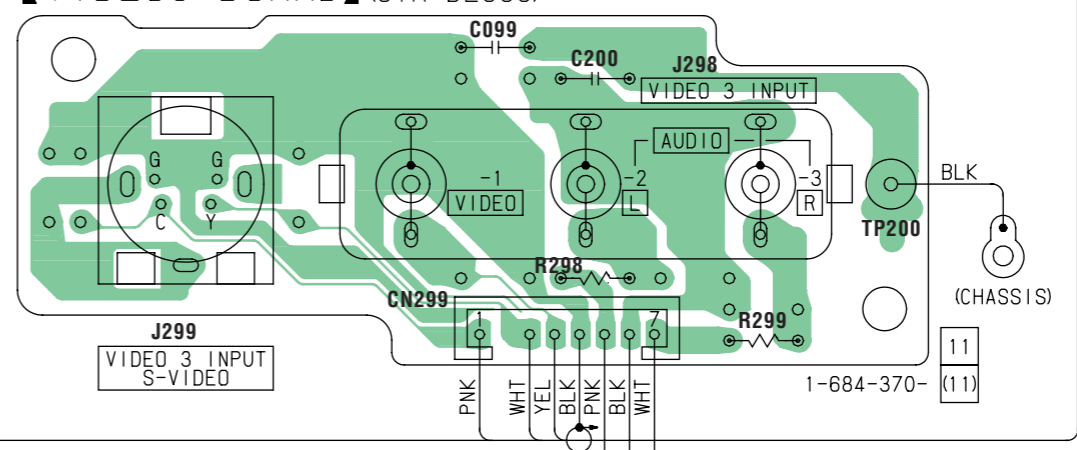
P VIDEO BOARD CNS201 (Page 36)

【VIDEO3 BOARD】(STR-DE885)



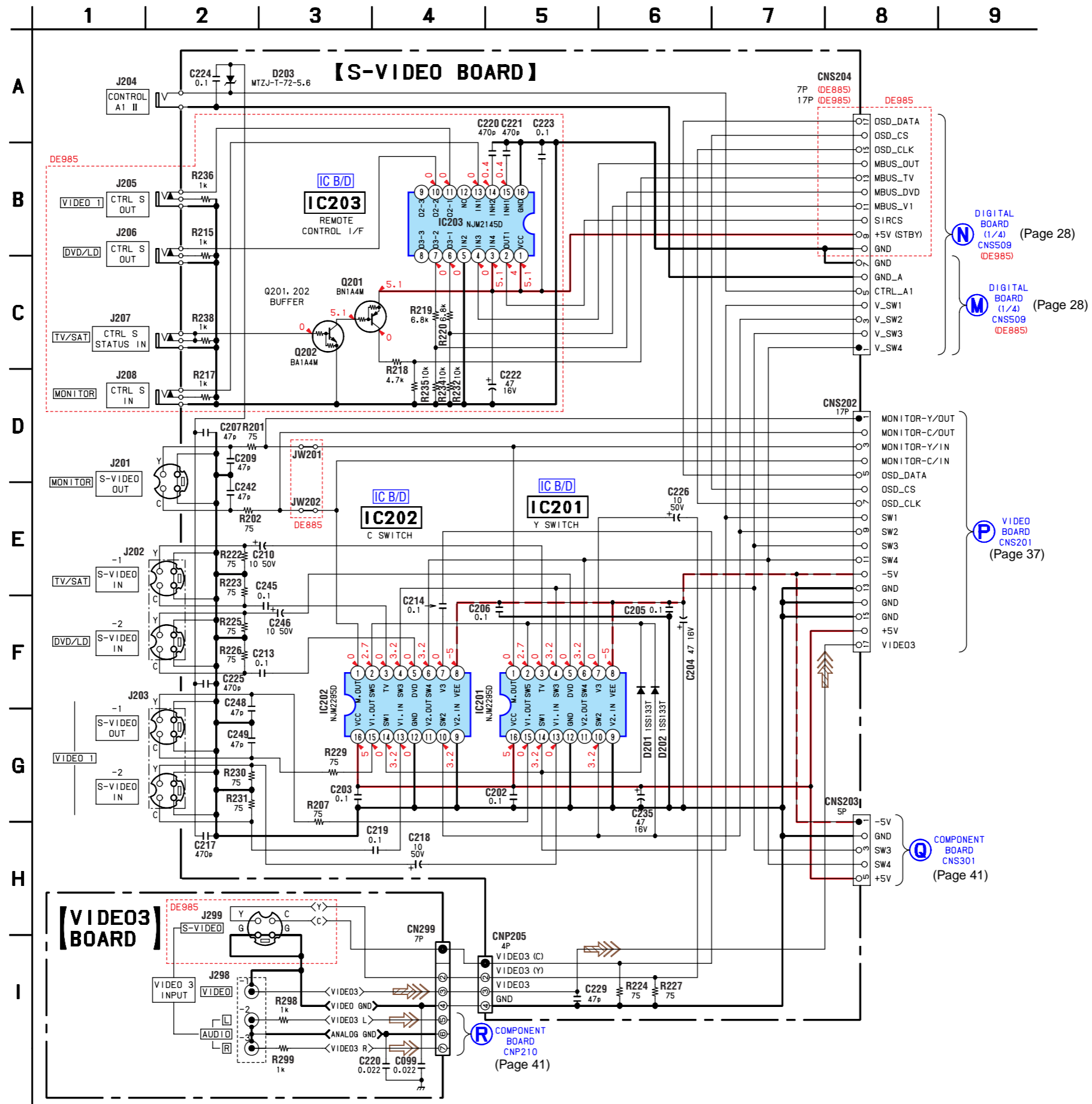
R COMPONENT BOARD CNP210 (Page 40)

【VIDEO3 BOARD】(STR-DE985)

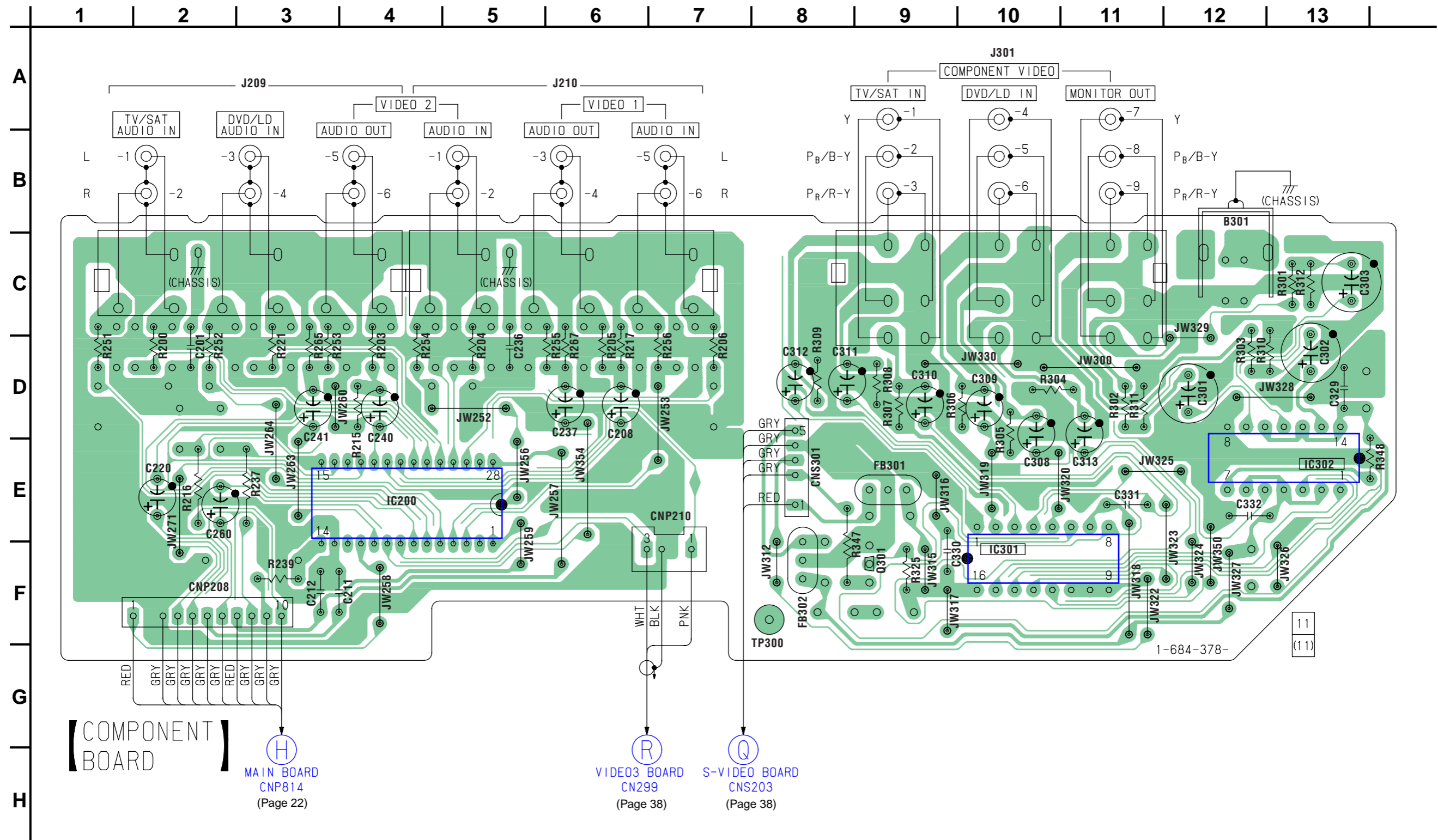


R COMPONENT BOARD CNP210 (Page 40)

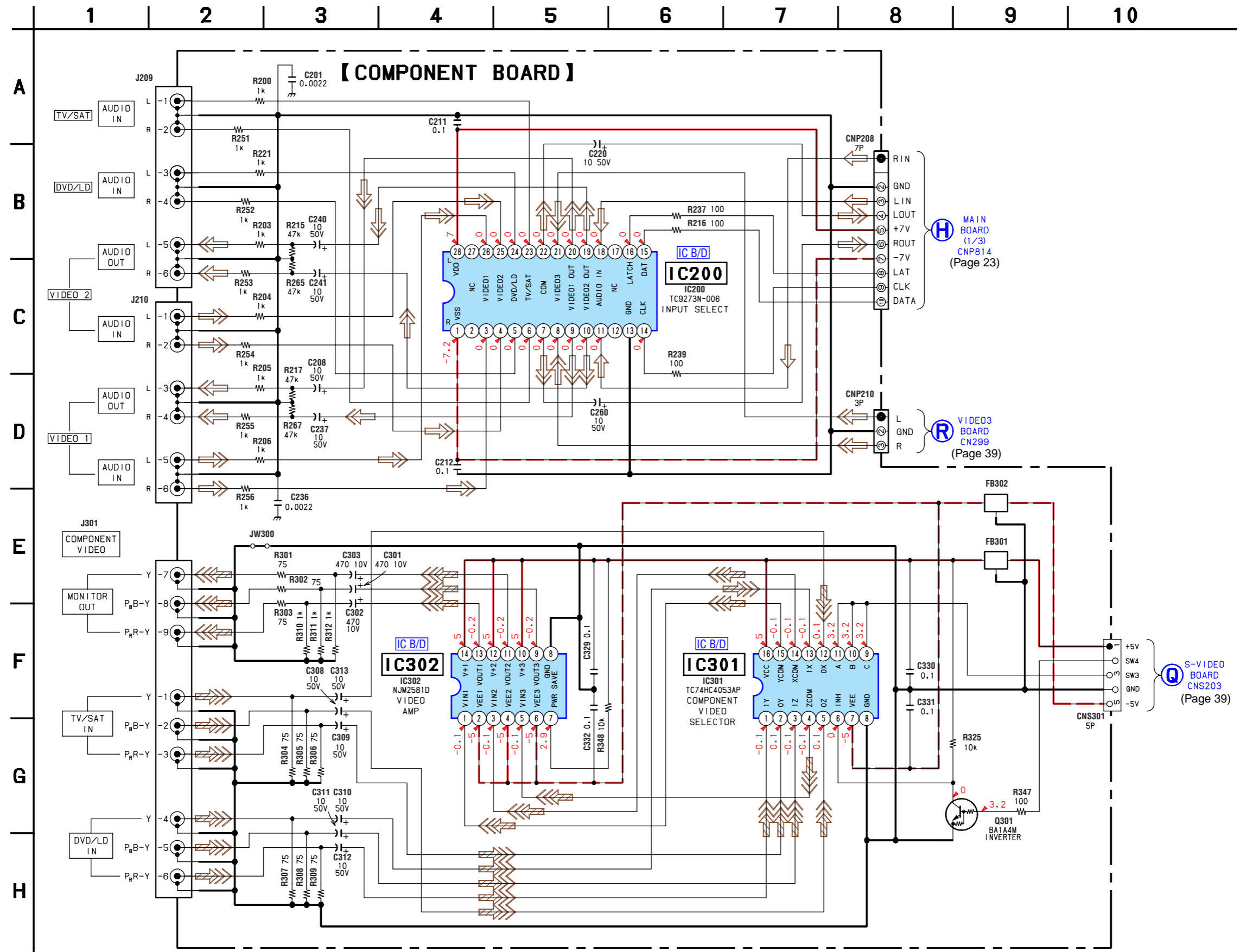
4-20. SCHEMATIC DIAGRAM — S-VIDEO SECTION — • Refer to page 21 for Common Note on Schematic Diagram and page 46 for IC Block Diagrams.



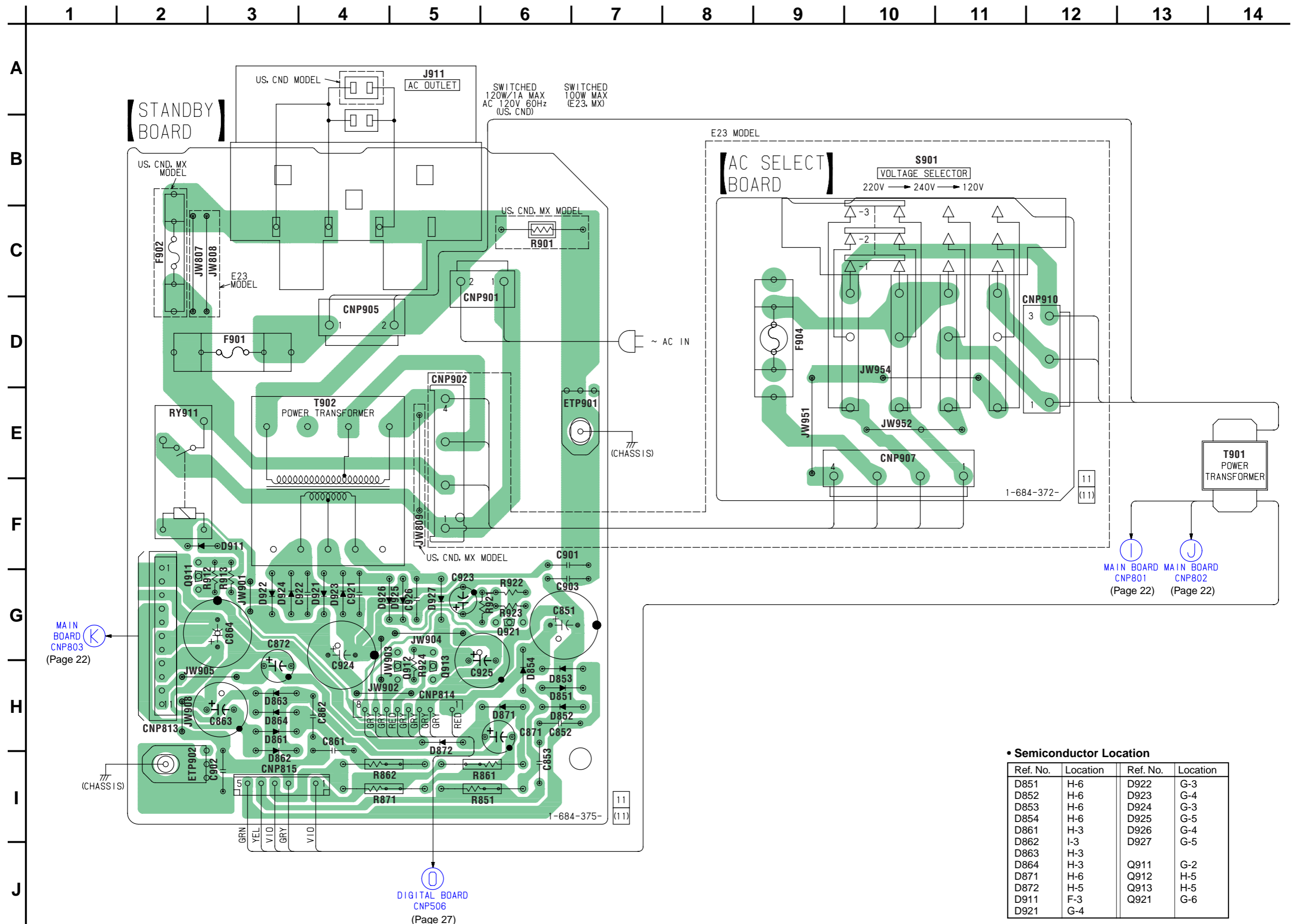
4-21. PRINTED WIRING BOARD — COMPONENT SECTION — • Refer to page 21 for Circuit Boards Location and Common Note on Printed Wiring Boards.



4-22. SCHEMATIC DIAGRAM — COMPONENT SECTION — • Refer to page 21 for Common Note on Schematic Diagram and page 47 for IC Block Diagrams.



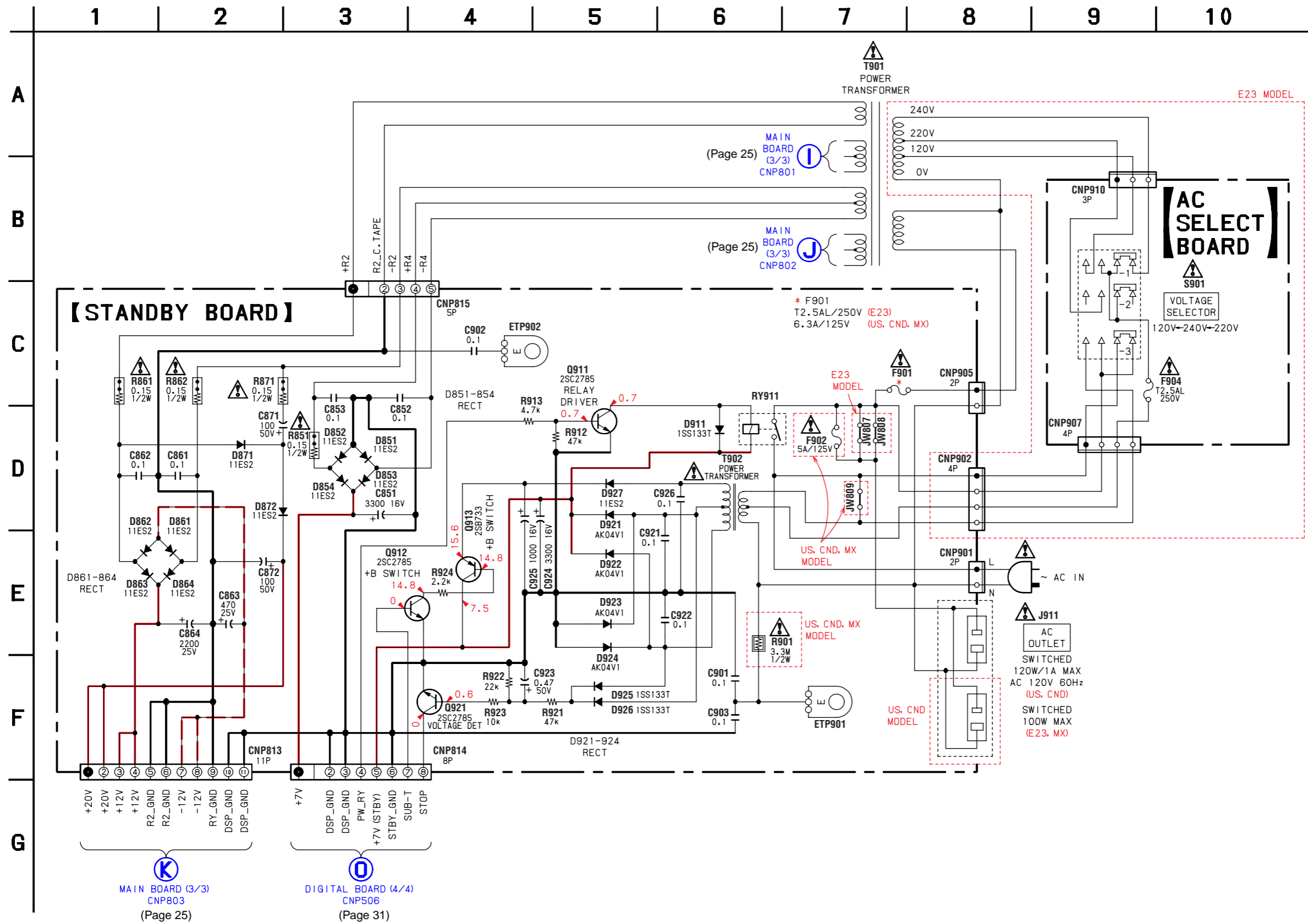
4-23. PRINTED WIRING BOARDS — POWER SECTION — • Refer to page 21 for Circuit Boards Location and Common Note on Printed Wiring Boards.



• Semiconductor Location

Ref. No.	Location	Ref. No.	Location
D851	H-6	D922	G-3
D852	H-6	D923	G-4
D853	H-6	D924	G-3
D854	H-6	D925	G-5
D861	H-3	D926	G-4
D862	I-3	D927	G-5
D863	H-3		
D864	H-3	Q911	G-2
D871	H-6	Q912	H-5
D872	H-5	Q913	H-5
D911	F-3	Q921	G-6
D921	G-4		

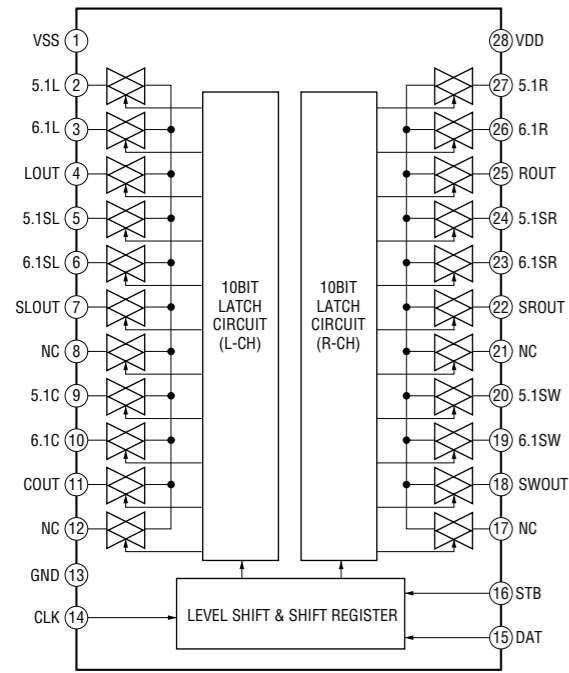
4-24. SCHEMATIC DIAGRAM — POWER SECTION — • Refer to page 21 for Common Note on Schematic Diagram.



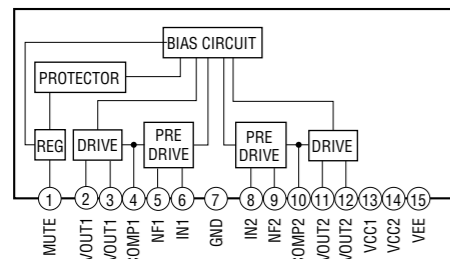
The components identified by mark ▲ or dotted line with mark ▲ are critical for safety. Replace only with part number specified.	Les composants identifiés par marque ▲ sont critiques pour la sécurité. Ne les remplacer que par une pièce portant le numéro spécifié.
--	--

4-25. IC BLOCK DIAGRAMS

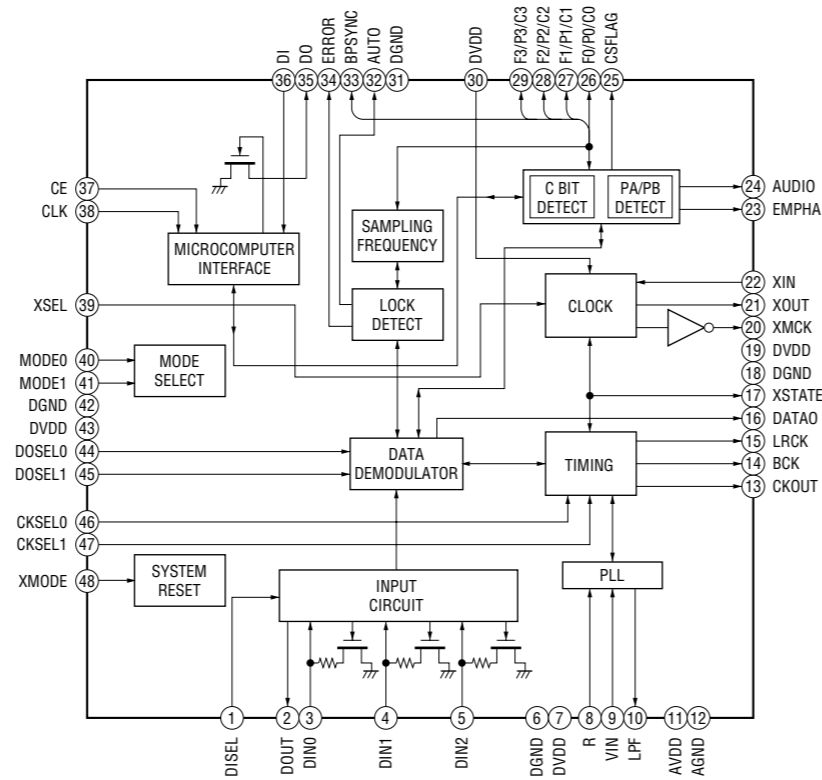
IC402 TC9273N-011 (MAIN BOARD)
(STR-DE985 only)



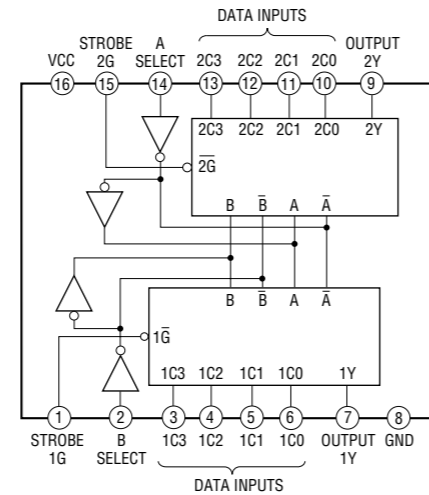
IC400, 500, 600 μ PC2581V-S (MAIN BOARD)



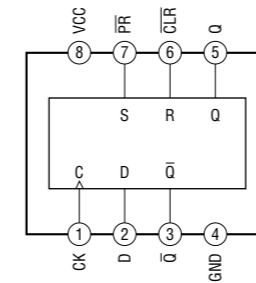
IC1301 LC89056W-E (DIGITAL BOARD)



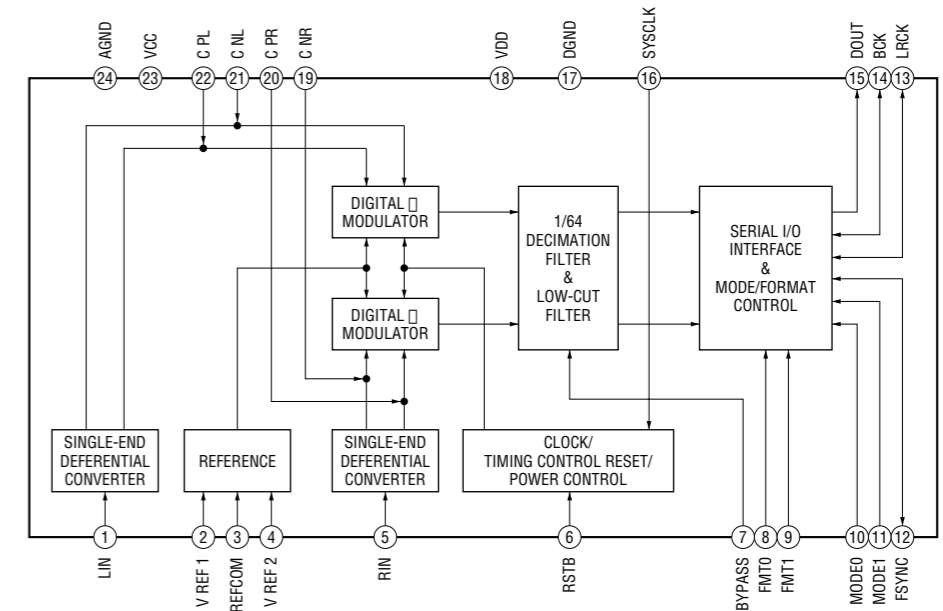
IC1302 TC74ACT153F(EL) (DIGITAL BOARD)



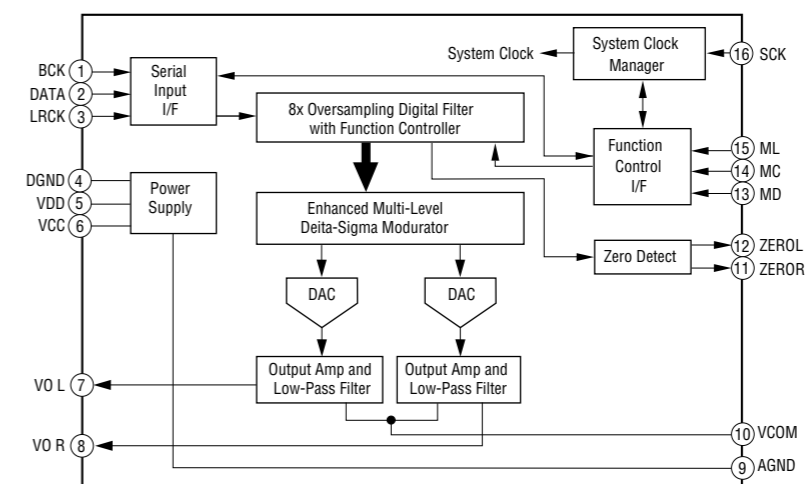
IC1305 TC7WH74FU(TE12R) (DIGITAL BOARD)



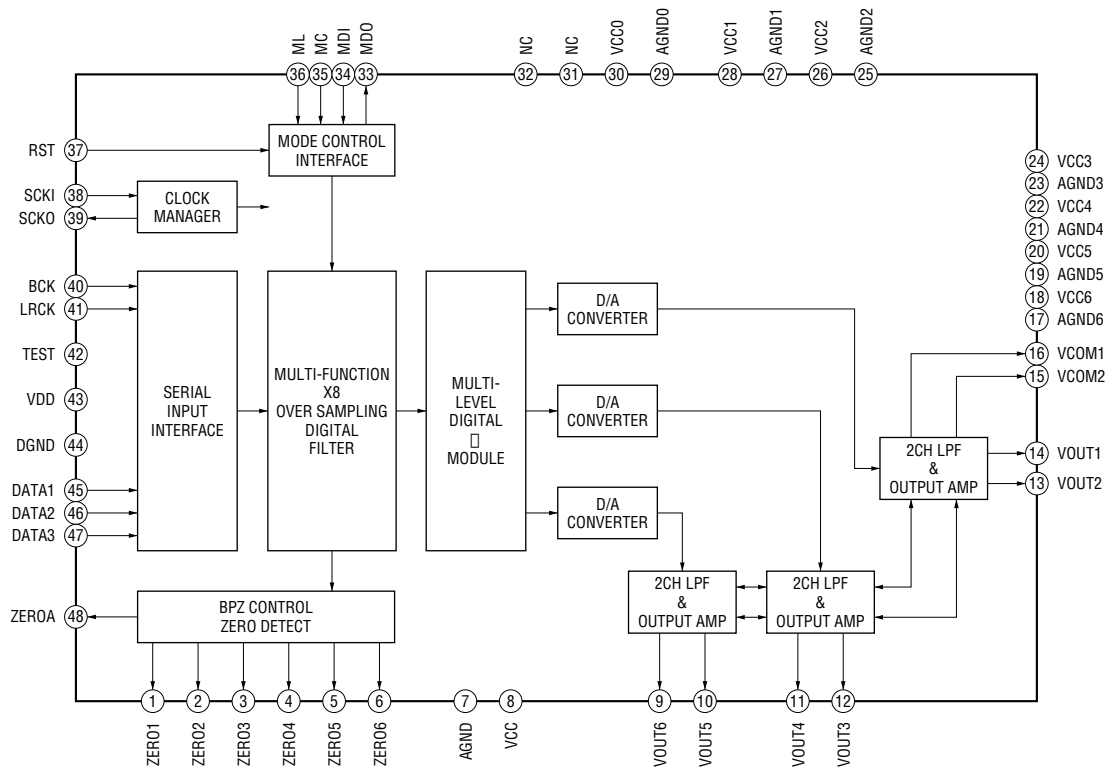
IC1401 PCM1800E/2K (DIGITAL BOARD)



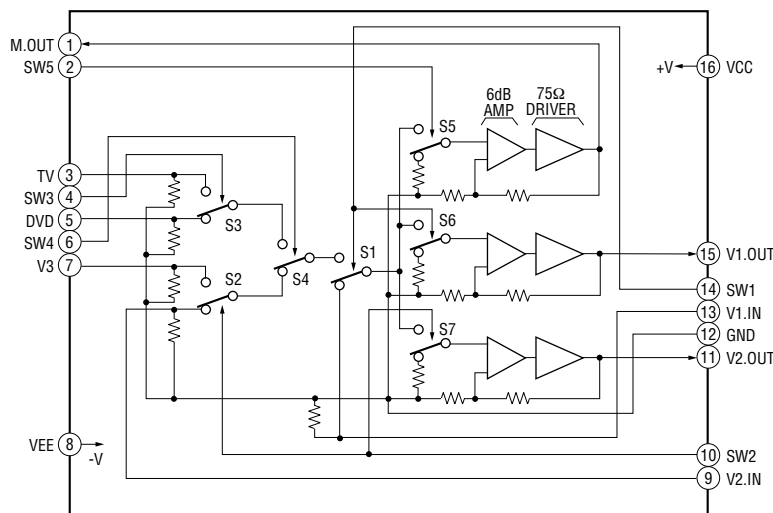
IC1202 PCM1748E/2K (DIGITAL BOARD)



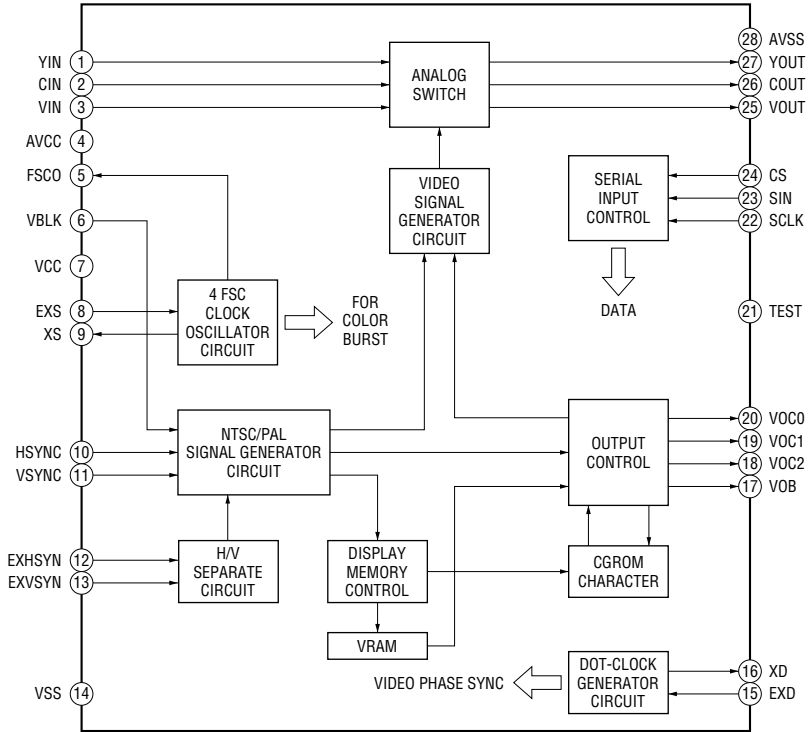
IC1451 PCM1604Y/2K (DIGITAL BOARD)



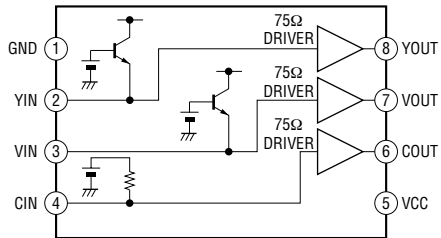
IC251 NJM2595D (VIDEO BOARD)



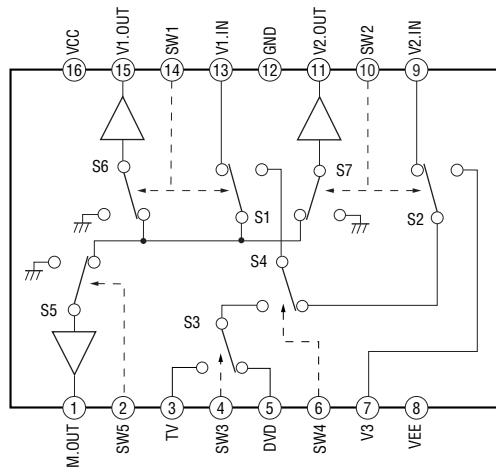
IC252 MB90089PF-G-238-BND (VIDEOBOARD) (STR-DE985 only)



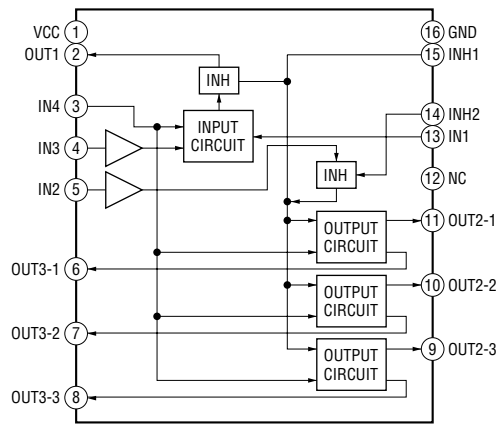
IC253 BA7622 (VIDEO BOARD) (STR-DE985 only)



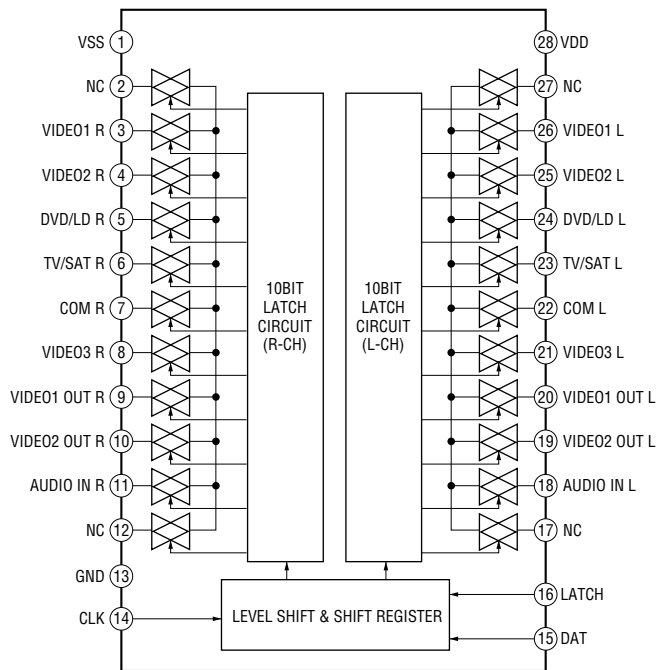
IC201, 202 NJM2295D (S-VIDEO BOARD)



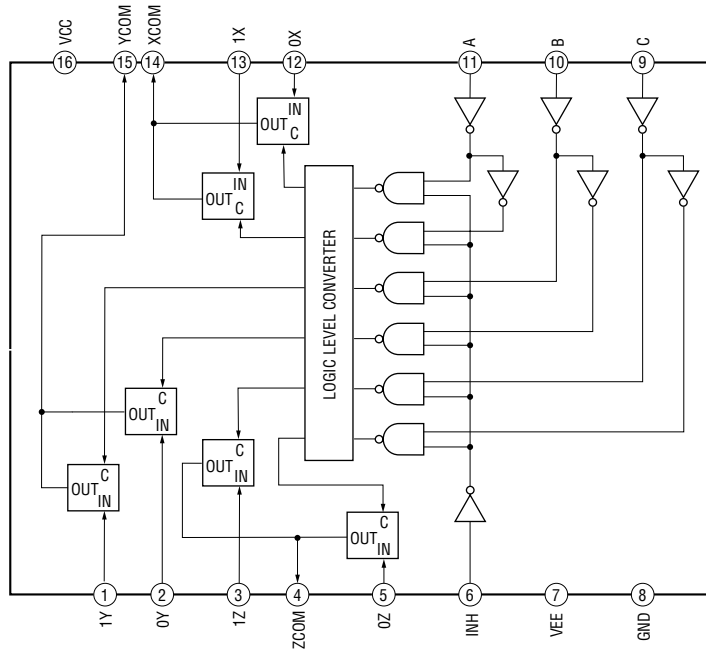
IC203 NJM2145D (S-VIDEO BOARD)



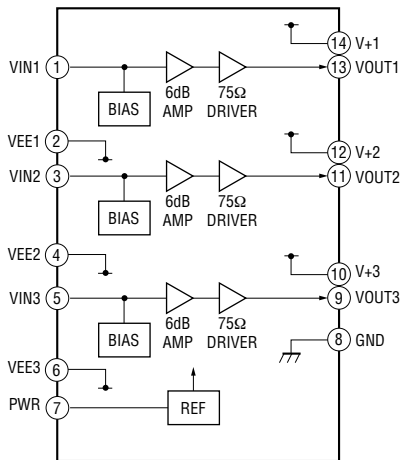
IC200 TC9273N-006 (COMPONENT BOARD)



IC301 TC74HC4053AP (COMPONENT BOARD)



IC302 NJM2581D (COMPONENT BOARD)



SECTION 5 EXPLODED VIEWS

NOTE:

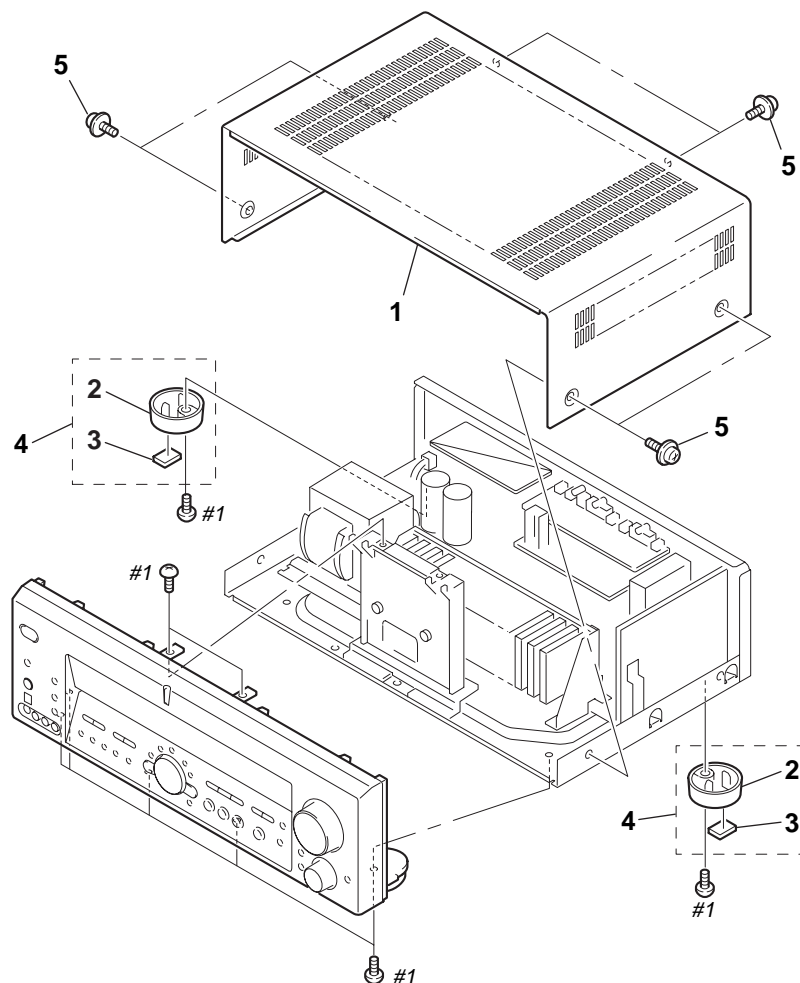
- The mechanical parts with no reference number in the exploded views are not supplied.
- Items marked “*” are not stocked since they are seldom required for routine service. Some delay should be anticipated when ordering these items.
- -XX and -X mean standardized parts, so they may have some difference from the original one.

- Color Indication of Appearance Parts
Example :
 KNOB, BALANCE (WHITE) ... (RED)
 ↑ ↑
 Parts Color Cabinet's Color
- Accessories are given in the last of this parts list.
- Abbreviation
CND : Canadian model
E23 : AC 120/220/240V area in E model
MX : Mexican model

The components identified by mark \triangle or dotted line with mark \triangle are critical for safety. Replace only with part number specified.

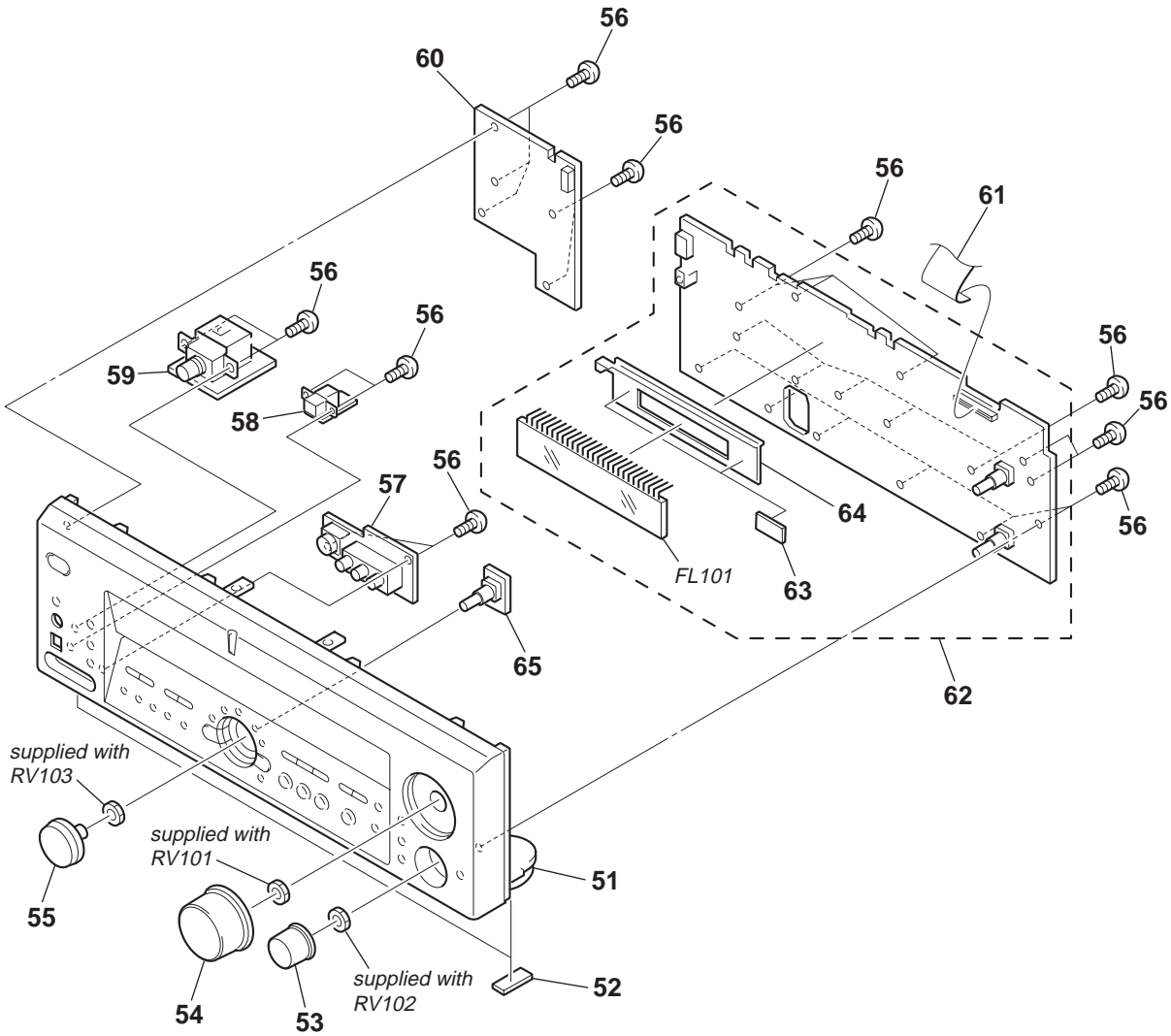
Les composants identifiés par une marque \triangle sont critiques pour la sécurité. Ne les remplacer que par une pièce portant le numéro spécifié.

5-1. CASE SECTION



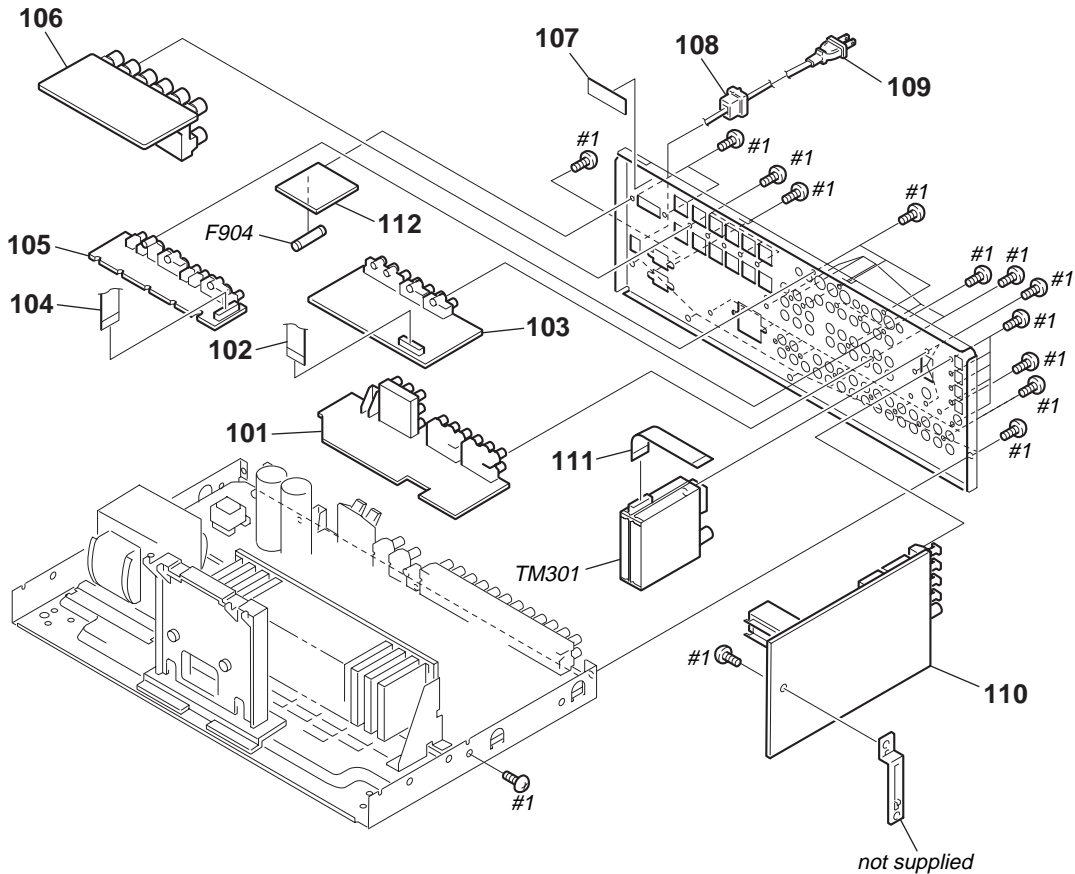
Ref. No.	Part No.	Description	Remark	Ref. No.	Part No.	Description	Remark
1	4-232-576-11	CASE (DE9) (BLACK)...(BLACK)		4	X-4953-448-1	FOOT ASSY	
1	4-232-576-51	CASE (DE9) (SILVER)...(SILVER)		5	4-210-291-01	SCREW (CASE 3 TP2) (BLACK)...(BLACK)	
2	4-232-237-01	FOOT (DIA.30)		5	4-210-291-11	SCREW (CASE 3 TP2) (SILVER)...(SILVER)	
3	4-977-358-01	CUSHION		#1	7-685-646-79	SCREW +BVTP 3X8 TYPE2 IT-3	

5-2. FRONT PANEL SECTION



Ref. No.	Part No.	Description	Remark	Ref. No.	Part No.	Description	Remark
51	X-4954-507-1	PANEL ASSY, FRONT (DE985:US:BLACK)		56	4-951-620-01	SCREW (2.6X8), +BVTP	
51	X-4954-512-1	PANEL ASSY, FRONT (DE985:CND:BLACK)		57	1-684-370-11	VIDEO3 BOARD (DE985)	
51	X-4954-520-A	PANEL ASSY, FRONT (DE885:US:BLACK)		57	1-684-383-11	VIDEO3 BOARD (DE885)	
51	X-4954-529-1	PANEL ASSY, FRONT (DE885:MX:BLACK)		58	1-684-382-11	OPT3 BOARD	
51	X-4954-578-1	PANEL ASSY, FRONT (DE885:E23:SILVER)		59	1-684-381-11	HEADPHONE BOARD	
51	X-4954-757-1	PANEL ASSY, FRONT (DE885:US:SILVER)		60	1-684-379-11	POWER BOARD	
51	X-4954-758-1	PANEL ASSY, FRONT (DE885:CND:SILVER)		61	1-773-304-11	WIRE (FLAT TYPE) (29 CORE) (L=350mm)	
51	X-4954-759-1	PANEL ASSY, FRONT (DE985:US:SILVER)		62	A-4728-139-A	DISPLAY BOARD, COMPLETE (DE985)	
52	4-977-358-01	CUSHION		62	A-4728-216-A	DISPLAY BOARD, COMPLETE	
53	4-232-569-01	KNOB (FN DE9) (BLACK)...(BLACK)					(DE885:US,CND,MX)
53	4-232-569-21	KNOB (FN DE9) (SILVER)...(SILVER)		62	A-4728-274-A	DISPLAY BOARD, COMPLETE (DE885:E23)	
54	4-232-113-01	KNOB (VOL) (BLACK)...(BLACK)		* 63	4-955-901-01	CUSHION (FL)	
54	4-232-113-12	KNOB (VOL) (SILVER)...(SILVER)		* 64	4-990-797-01	HOLDER (FL)	
55	4-232-239-01	KNOB (JOG) (BLACK)...(BLACK)		65	1-684-380-11	JOG BOARD	
55	4-232-239-22	KNOB (JOG) (SILVER)...(SILVER)		FL101	1-518-737-11	INDICATOR TUBE, FLUORESCENT	

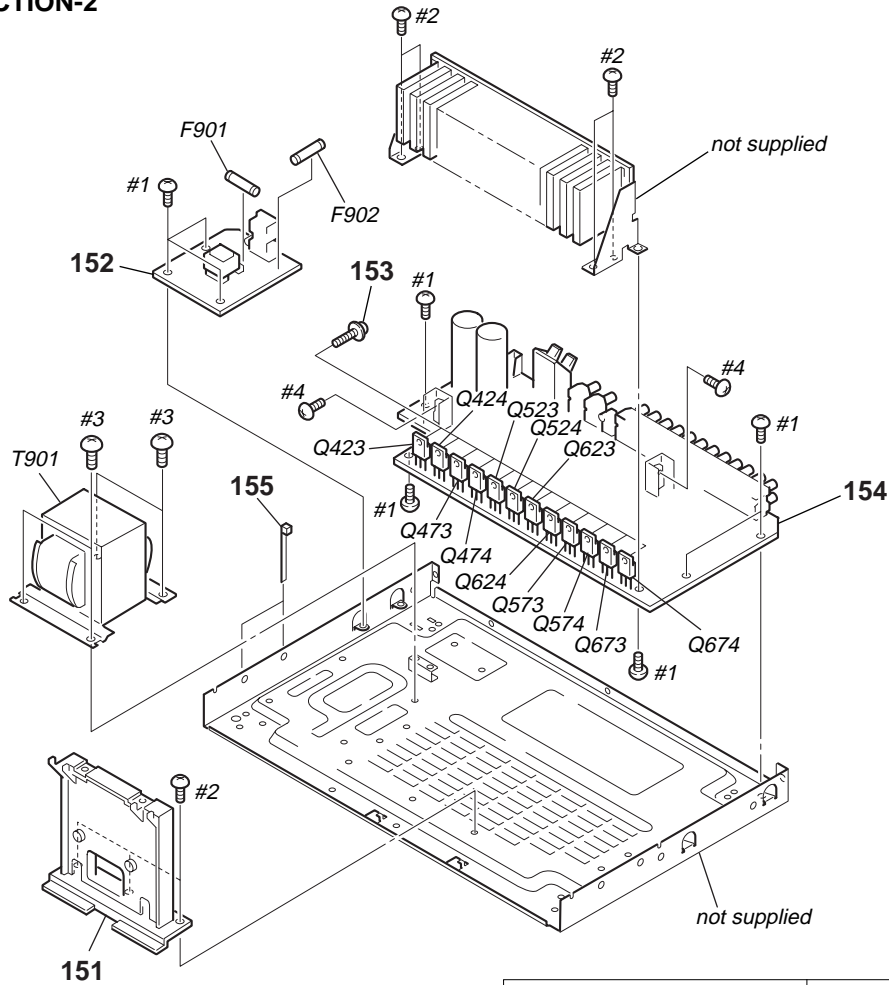
5-3. CHASSIS SECTION-1



<p>The components identified by mark Δ or dotted line with mark Δ are critical for safety. Replace only with part number specified.</p>	<p>Les composants identifiés par une marque Δ sont critiques pour la sécurité. Ne les remplacer que par une pièce portant le numéro spécifié.</p>
---	---

Ref. No.	Part No.	Description	Remark	Ref. No.	Part No.	Description	Remark
101	1-684-378-11	COMPONENT BOARD		Δ 109	1-769-744-11	CORD, POWER (E23)	
102	1-773-036-11	WIRE (FLAT TYPE) (17 CORE)		Δ 109	1-783-532-11	CORD, POWER (US,CND,MX)	
103	A-4728-150-A	VIDEO BOARD, COMPLETE (DE985)		110	A-4728-140-A	DIGITAL BOARD, COMPLETE (DE985)	
103	A-4728-218-A	VIDEO BOARD, COMPLETE (DE885)		110	A-4728-215-A	DIGITAL BOARD, COMPLETE (DE885:US,CND,MX)	
104	1-769-876-11	WIRE (FLAT TYPE) (7 CORE) (DE885)		110	A-4728-272-A	DIGITAL BOARD, COMPLETE (DE885:E23)	
104	1-773-036-11	WIRE (FLAT TYPE) (17 CORE) (DE985)		111	1-769-937-11	WIRE (FLAT TYPE) (11 CORE)	
105	A-4728-142-A	S-VIDEO BOARD, COMPLETE (DE985)		112	1-684-372-11	AC SELECT BOARD (E23)	
105	A-4728-225-A	S-VIDEO BOARD, COMPLETE (DE885)		Δ F904	1-532-464-31	FUSE (T2.5AL/250V) (E23)	
106	1-684-377-11	SPEAKER BOARD		TM301	1-693-577-11	TUNER PACK (FM/AM) (ANTENNA)	
* 107	3-703-044-26	LABEL, CAUTION (US,CND,MX)		#1	7-685-646-79	SCREW +BVTP 3X8 TYPE2 IT-3	
* 108	3-703-244-00	BUSHING (2104), CORD					

5-4. CHASSIS SECTION-2



<p>The components identified by mark \triangle or dotted line with mark \triangle are critical for safety. Replace only with part number specified.</p>	<p>Les composants identifiés par une marque \triangle sont critiques pour la sécurité. Ne les remplacer que par une pièce portant le numéro spécifié.</p>
---	--

Ref. No.	Part No.	Description	Remark	Ref. No.	Part No.	Description	Remark
151	4-233-263-01	MOLD (DE9), SUB		Q524	8-729-051-93	TRANSISTOR 2SB1647 (DE985)	
152	A-4728-148-A	STANDBY BOARD, COMPLETE (DE985)		Q524	8-749-010-26	TRANSISTOR MP1620-OPY-M (DE885)	
152	A-4728-217-A	STANDBY BOARD, COMPLETE (DE885:US,CND,MX)		Q573	8-729-051-92	TRANSISTOR 2SD2560 (DE985)	
152	A-4728-275-A	STANDBY BOARD, COMPLETE (DE885:E23)		Q573	8-749-010-25	TRANSISTOR MN2488-OPY-M (DE885)	
153	3-905-609-01	SCREW (TRANSISTOR)		Q574	8-729-051-93	TRANSISTOR 2SB1647 (DE985)	
154	A-4728-141-A	MAIN BOARD, COMPLETE (DE985:US)		Q574	8-749-010-26	TRANSISTOR MP1620-OPY-M (DE885)	
154	A-4728-159-A	MAIN BOARD, COMPLETE (DE985:CND)		Q623	8-729-051-92	TRANSISTOR 2SD2560 (DE985)	
154	A-4728-224-A	MAIN BOARD, COMPLETE (DE885:US,E23,MX)		Q623	8-749-010-25	TRANSISTOR MN2488-OPY-M (DE885)	
154	A-4728-231-A	MAIN BOARD, COMPLETE (DE885:CND)		Q624	8-729-051-93	TRANSISTOR 2SB1647 (DE985)	
155	3-701-748-00	CLAMP		Q624	8-749-010-26	TRANSISTOR MP1620-OPY-M (DE885)	
\triangle F901	1-532-464-31	FUSE (T2.5AL/250V) (E23)		Q673	8-729-051-92	TRANSISTOR 2SD2560 (DE985)	
\triangle F901	1-576-193-11	FUSE (6.3A/125V) (US,CND,MX)		Q673	8-749-010-25	TRANSISTOR MN2488-OPY-M (DE885)	
\triangle F902	1-533-453-11	FUSE, GLASS TUBE (DIA.5) (5A/125V) (US,CND,MX)		Q674	8-729-051-93	TRANSISTOR 2SB1647 (DE985)	
Q423	8-729-051-92	TRANSISTOR 2SD2560 (DE985)		Q674	8-749-010-26	TRANSISTOR MP1620-OPY-M (DE885)	
Q424	8-729-051-93	TRANSISTOR 2SB1647 (DE985)		\triangle T901	1-437-710-11	TRANSFORMER, POWER (US,CND,MX)	
Q473	8-729-051-92	TRANSISTOR 2SD2560 (DE985)		\triangle T901	1-437-714-11	TRANSFORMER, POWER (E23)	
Q473	8-749-010-25	TRANSISTOR MN2488-OPY-M (DE885)		#1	7-685-646-79	SCREW +BVTP 3X8 TYPE2 IT-3	
Q474	8-729-051-93	TRANSISTOR 2SB1647 (DE985)		#2	7-685-645-79	SCREW +BVTP 3X6 TYPE2 N-S	
Q474	8-749-010-26	TRANSISTOR MP1620-OPY-M (DE885)		#3	7-685-880-09	SCREW +BVTT 4X6 (S)	
Q523	8-729-051-92	TRANSISTOR 2SD2560 (DE985)		#4	7-685-871-01	SCREW +BVTT 3X6 (S)	
Q523	8-749-010-25	TRANSISTOR MN2488-OPY-M (DE885)					

**SECTION 6
ELECTRICAL PARTS LIST**

AC SELECT

COMPONENT

NOTE:

- Due to standardization, replacements in the parts list may be different from the parts specified in the diagrams or the components used on the set.
- -XX and -X mean standardized parts, so they may have some difference from the original one.
- RESISTORS
All resistors are in ohms.
METAL: Metal-film resistor.
METAL OXIDE: Metal oxide-film resistor.
F: nonflammable
- Abbreviation
CND : Canadian model
E23 : AC 120/220/240V area in E model
MX : Mexican model

- Items marked “*” are not stocked since they are seldom required for routine service. Some delay should be anticipated when ordering these items.
- SEMICONDUCTORS
In each case, u : μ , for example:
uA.. : μ A.. uPA.. : μ PA..
uPB.. : μ PB.. uPC.. : μ PC.. uPD.. : μ PD..
- CAPACITORS
uF : μ F
- COILS
uH : μ H

The components identified by mark Δ or dotted line with mark Δ are critical for safety. Replace only with part number specified.

Les composants identifiés par une marque Δ sont critiques pour la sécurité. Ne les remplacer que par une pièce portant le numéro spécifié.

When indicating parts by reference number, please include the board.

Ref. No.	Part No.	Description	Remark	Ref. No.	Part No.	Description	Remark
	1-684-372-11	AC SELECT BOARD (E23) *****				< FILTER >	
	1-533-399-31	HOLDER, FUSE (E23)		FB301	1-416-300-21	FILTER, NOISE	
		< CONNECTOR >		FB302	1-416-300-21	FILTER, NOISE	
CNP907	1-568-106-11	PIN, CONNECTOR (3.96mm PITCH) 4P (E23)				< IC >	
* CNP910	1-564-687-11	PIN, CONNECTOR (3.96mm PITCH) 3P (E23)		IC200	8-759-712-73	IC TC9273N-006	
		< SWITCH >		IC301	8-759-231-66	IC TC74HC4053AP	
Δ S901	1-571-437-21	SWITCH, POWER VOLTAGE CHANGE (VOLTAGE SELECTOR) (E23) *****		IC302	6-701-891-01	IC NJM2581D	
	1-684-378-11	COMPONENT BOARD *****				< JACK >	
		< CAPACITOR >		J209	1-774-411-11	JACK, PIN 6P (TV/SAT AUDIO IN, DVD/LD AUDIO IN, VIDEO 2 AUDIO OUT)	
C201	1-127-868-11	CERAMIC	0.0022uF 10% 50V	J210	1-774-411-11	JACK, PIN 6P (VIDEO 2 AUDIO IN, VIDEO 1 AUDIO OUT/IN)	
C208	1-126-964-11	ELECT	10uF 20% 50V	J301	1-794-313-11	JACK, PIN (BLOCK) 9P (COMPONENT VIDEO TV/SAT IN, DVD/LD IN, MONITOR OUT)	
C211	1-127-888-11	CERAMIC	0.1uF 10% 50V			< TRANSISTOR >	
C212	1-127-888-11	CERAMIC	0.1uF 10% 50V	Q301	8-729-116-02	TRANSISTOR BA1A4M-TP	
C220	1-126-964-11	ELECT	10uF 20% 50V			< RESISTOR >	
C236	1-127-868-11	CERAMIC	0.0022uF 10% 50V	R200	1-249-417-11	CARBON 1K 5% 1/4W	
C237	1-126-964-11	ELECT	10uF 20% 50V	R203	1-249-417-11	CARBON 1K 5% 1/4W	
C240	1-126-964-11	ELECT	10uF 20% 50V	R204	1-249-417-11	CARBON 1K 5% 1/4W	
C241	1-126-964-11	ELECT	10uF 20% 50V	R205	1-249-417-11	CARBON 1K 5% 1/4W	
C260	1-126-964-11	ELECT	10uF 20% 50V	R206	1-249-417-11	CARBON 1K 5% 1/4W	
C301	1-126-935-11	ELECT	470uF 20% 10V	R215	1-249-437-11	CARBON 47K 5% 1/4W	
C302	1-126-935-11	ELECT	470uF 20% 10V	R216	1-247-807-31	CARBON 100 5% 1/4W	
C303	1-126-935-11	ELECT	470uF 20% 10V	R217	1-249-437-11	CARBON 47K 5% 1/4W	
C308	1-126-964-11	ELECT	10uF 20% 50V	R221	1-249-417-11	CARBON 1K 5% 1/4W	
C309	1-126-964-11	ELECT	10uF 20% 50V	R237	1-247-807-31	CARBON 100 5% 1/4W	
C310	1-126-964-11	ELECT	10uF 20% 50V	R239	1-247-807-31	CARBON 100 5% 1/4W	
C311	1-126-964-11	ELECT	10uF 20% 50V	R251	1-249-417-11	CARBON 1K 5% 1/4W	
C312	1-126-964-11	ELECT	10uF 20% 50V	R252	1-249-417-11	CARBON 1K 5% 1/4W	
C313	1-126-964-11	ELECT	10uF 20% 50V	R253	1-249-417-11	CARBON 1K 5% 1/4W	
C329	1-127-888-11	CERAMIC	0.1uF 10% 50V	R254	1-249-417-11	CARBON 1K 5% 1/4W	
C330	1-127-888-11	CERAMIC	0.1uF 10% 50V	R255	1-249-417-11	CARBON 1K 5% 1/4W	
C331	1-127-888-11	CERAMIC	0.1uF 10% 50V	R256	1-249-417-11	CARBON 1K 5% 1/4W	
C332	1-127-888-11	CERAMIC	0.1uF 10% 50V	R265	1-249-437-11	CARBON 47K 5% 1/4W	
		< CONNECTOR >		R267	1-249-437-11	CARBON 47K 5% 1/4W	
CNP210	1-779-978-11	PIN, CONNECTOR 3P		R301	1-247-804-11	CARBON 75 5% 1/4W	
				R302	1-247-804-11	CARBON 75 5% 1/4W	
				R303	1-247-804-11	CARBON 75 5% 1/4W	
				R304	1-247-804-11	CARBON 75 5% 1/4W	

STR-DE885/DE985

COMPONENT	DIGITAL
------------------	----------------

Ref. No.	Part No.	Description	Remark
R305	1-247-804-11	CARBON 75 5%	1/4W
R306	1-247-804-11	CARBON 75 5%	1/4W
R307	1-247-804-11	CARBON 75 5%	1/4W
R308	1-247-804-11	CARBON 75 5%	1/4W
R309	1-247-804-11	CARBON 75 5%	1/4W
R310	1-249-417-11	CARBON 1K 5%	1/4W
R311	1-249-417-11	CARBON 1K 5%	1/4W
R312	1-249-417-11	CARBON 1K 5%	1/4W
R325	1-249-429-11	CARBON 10K 5%	1/4W
R347	1-247-807-31	CARBON 100 5%	1/4W
R348	1-249-429-11	CARBON 10K 5%	1/4W

A-4728-140-A	DIGITAL BOARD, COMPLETE (DE985)		
A-4728-215-A	DIGITAL BOARD, COMPLETE (DE885:US,CND,MX)		
A-4728-272-A	DIGITAL BOARD, COMPLETE (DE885:E23)		

7-685-871-01	SCREW +BVTT 3X6 (S)		
< CAPACITOR >			
C1001	1-126-935-11	ELECT 470uF 20%	10V
C1002	1-164-156-11	CERAMIC CHIP 0.1uF	25V
C1011	1-164-156-11	CERAMIC CHIP 0.1uF	25V
C1012	1-126-935-11	ELECT 470uF 20%	10V
C1021	1-164-156-11	CERAMIC CHIP 0.1uF	25V
C1022	1-126-935-11	ELECT 470uF 20%	10V
C1031	1-164-156-11	CERAMIC CHIP 0.1uF	25V
C1032	1-126-935-11	ELECT 470uF 20%	10V
C1065	1-162-927-11	CERAMIC CHIP 100PF 5%	50V
C1066	1-162-927-11	CERAMIC CHIP 100PF 5%	50V
C1067	1-162-927-11	CERAMIC CHIP 100PF 5%	50V
C1068	1-162-927-11	CERAMIC CHIP 100PF 5%	50V
C1101	1-164-156-11	CERAMIC CHIP 0.1uF	25V
C1102	1-164-156-11	CERAMIC CHIP 0.1uF	25V
C1103	1-126-947-11	ELECT 47uF 20%	16V
C1104	1-164-156-11	CERAMIC CHIP 0.1uF	25V
C1105	1-164-156-11	CERAMIC CHIP 0.1uF	25V
C1106	1-164-156-11	CERAMIC CHIP 0.1uF	25V
C1107	1-164-156-11	CERAMIC CHIP 0.1uF	25V
C1108	1-164-156-11	CERAMIC CHIP 0.1uF	25V
C1109	1-164-156-11	CERAMIC CHIP 0.1uF	25V
C1120	1-164-156-11	CERAMIC CHIP 0.1uF	25V
C1121	1-164-156-11	CERAMIC CHIP 0.1uF	25V
C1122	1-164-156-11	CERAMIC CHIP 0.1uF	25V
C1123	1-164-156-11	CERAMIC CHIP 0.1uF	25V
C1124	1-164-156-11	CERAMIC CHIP 0.1uF	25V
C1125	1-164-156-11	CERAMIC CHIP 0.1uF	25V
C1126	1-164-816-11	CERAMIC CHIP 220PF 2%	50V
C1127	1-164-156-11	CERAMIC CHIP 0.1uF	25V
C1130	1-164-156-11	CERAMIC CHIP 0.1uF	25V
C1131	1-164-156-11	CERAMIC CHIP 0.1uF	25V
C1132	1-164-156-11	CERAMIC CHIP 0.1uF	25V
C1133	1-164-156-11	CERAMIC CHIP 0.1uF	25V
C1134	1-164-156-11	CERAMIC CHIP 0.1uF	25V
C1135	1-164-156-11	CERAMIC CHIP 0.1uF	25V
C1136	1-164-156-11	CERAMIC CHIP 0.1uF	25V
C1137	1-162-974-11	CERAMIC CHIP 0.01uF	50V

Ref. No.	Part No.	Description	Remark
C1139	1-164-156-11	CERAMIC CHIP 0.1uF	25V
C1140	1-164-156-11	CERAMIC CHIP 0.1uF	25V
C1141	1-164-156-11	CERAMIC CHIP 0.1uF	25V
C1142	1-164-156-11	CERAMIC CHIP 0.1uF	25V
C1145	1-164-156-11	CERAMIC CHIP 0.1uF	25V
C1209	1-164-156-11	CERAMIC CHIP 0.1uF	25V
C1210	1-164-156-11	CERAMIC CHIP 0.1uF	25V
C1211	1-126-964-11	ELECT 10uF 20%	50V
C1212	1-126-964-11	ELECT 10uF 20%	50V
C1251	1-164-156-11	CERAMIC CHIP 0.1uF	25V
C1252	1-164-156-11	CERAMIC CHIP 0.1uF	25V
C1253	1-164-156-11	CERAMIC CHIP 0.1uF	25V
C1254	1-164-816-11	CERAMIC CHIP 220PF 2%	50V
C1255	1-164-816-11	CERAMIC CHIP 220PF 2%	50V
C1256	1-164-816-11	CERAMIC CHIP 220PF 2%	50V
C1301	1-164-156-11	CERAMIC CHIP 0.1uF	25V
C1302	1-162-974-11	CERAMIC CHIP 0.01uF	50V
C1303	1-164-156-11	CERAMIC CHIP 0.1uF	25V
C1304	1-162-974-11	CERAMIC CHIP 0.01uF	50V
C1305	1-164-156-11	CERAMIC CHIP 0.1uF	25V
C1306	1-126-947-11	ELECT 47uF 20%	16V
C1308	1-164-156-11	CERAMIC CHIP 0.1uF	25V
C1309	1-162-918-11	CERAMIC CHIP 18PF 5%	50V
C1310	1-162-918-11	CERAMIC CHIP 18PF 5%	50V
C1312	1-164-156-11	CERAMIC CHIP 0.1uF	25V
C1313	1-162-927-11	CERAMIC CHIP 100PF 5%	50V
C1314	1-164-156-11	CERAMIC CHIP 0.1uF	25V
C1315	1-162-974-11	CERAMIC CHIP 0.01uF	50V
C1316	1-164-156-11	CERAMIC CHIP 0.1uF	25V
C1317	1-126-964-11	ELECT 10uF 20%	50V
C1321	1-164-156-11	CERAMIC CHIP 0.1uF	25V
C1322	1-164-156-11	CERAMIC CHIP 0.1uF	25V
C1323	1-164-156-11	CERAMIC CHIP 0.1uF	25V
C1351	1-164-156-11	CERAMIC CHIP 0.1uF	25V
C1352	1-164-156-11	CERAMIC CHIP 0.1uF	25V
C1353	1-164-156-11	CERAMIC CHIP 0.1uF	25V
C1354	1-164-156-11	CERAMIC CHIP 0.1uF	25V
C1355	1-126-965-11	ELECT 22uF 20%	50V
C1356	1-164-156-11	CERAMIC CHIP 0.1uF	25V
C1357	1-162-905-11	CERAMIC CHIP 1PF 0.25PF	50V
C1358	1-164-156-11	CERAMIC CHIP 0.1uF	25V
C1359	1-126-934-11	ELECT 220uF 20%	10V
C1360	1-162-923-11	CERAMIC CHIP 47PF 5%	50V
C1361	1-164-156-11	CERAMIC CHIP 0.1uF	25V
C1401	1-104-663-11	ELECT 33uF 20%	25V
C1402	1-162-979-11	CERAMIC CHIP 0.0027uF 10%	50V
C1403	1-164-227-11	CERAMIC CHIP 0.022uF 10%	25V
C1404	1-164-156-11	CERAMIC CHIP 0.1uF	25V
C1405	1-162-958-11	CERAMIC CHIP 270PF 5%	50V
C1406	1-126-964-11	ELECT 10uF 20%	50V
C1408	1-164-156-11	CERAMIC CHIP 0.1uF	25V
C1411	1-104-663-11	ELECT 33uF 20%	25V
C1412	1-162-979-11	CERAMIC CHIP 0.0027uF 10%	50V
C1413	1-164-227-11	CERAMIC CHIP 0.022uF 10%	25V
C1414	1-126-964-11	ELECT 10uF 20%	50V
C1415	1-162-958-11	CERAMIC CHIP 270PF 5%	50V
C1416	1-164-156-11	CERAMIC CHIP 0.1uF	25V
C1417	1-164-156-11	CERAMIC CHIP 0.1uF	25V

Ref. No.	Part No.	Description	Remark	Ref. No.	Part No.	Description	Remark
C1421	1-104-663-11	ELECT	33uF 20% 25V	C1517	1-126-916-11	ELECT	1000uF 20% 6.3V
C1422	1-162-979-11	CERAMIC CHIP	0.0027uF 10% 50V	C1518	1-164-156-11	CERAMIC CHIP	0.1uF 25V
C1423	1-164-227-11	CERAMIC CHIP	0.022uF 10% 25V	C1519	1-164-156-11	CERAMIC CHIP	0.1uF 25V
C1424	1-126-964-11	ELECT	10uF 20% 50V	C1520	1-164-156-11	CERAMIC CHIP	0.1uF 25V
C1425	1-162-958-11	CERAMIC CHIP	270PF 5% 50V	C1551	1-164-156-11	CERAMIC CHIP	0.1uF 25V
C1431	1-164-156-11	CERAMIC CHIP	0.1uF 25V	C1552	1-164-156-11	CERAMIC CHIP	0.1uF 25V
C1432	1-126-964-11	ELECT	10uF 20% 50V	C1553	1-164-156-11	CERAMIC CHIP	0.1uF 25V
C1433	1-126-964-11	ELECT	10uF 20% 50V	C1554	1-164-156-11	CERAMIC CHIP	0.1uF 25V
C1434	1-164-156-11	CERAMIC CHIP	0.1uF 25V	C1555	1-164-156-11	CERAMIC CHIP	0.1uF 25V
C1435	1-164-156-11	CERAMIC CHIP	0.1uF 25V	C1556	1-164-156-11	CERAMIC CHIP	0.1uF 25V
C1436	1-164-156-11	CERAMIC CHIP	0.1uF 25V	C1557	1-164-156-11	CERAMIC CHIP	0.1uF 25V
C1437	1-164-156-11	CERAMIC CHIP	0.1uF 25V	C1559	1-164-156-11	CERAMIC CHIP	0.1uF 25V
C1438	1-126-964-11	ELECT	10uF 20% 50V	C1560	1-164-156-11	CERAMIC CHIP	0.1uF 25V
C1441	1-126-964-11	ELECT	10uF 20% 50V	C1561	1-164-156-11	CERAMIC CHIP	0.1uF 25V
C1442	1-126-964-11	ELECT	10uF 20% 50V	C1562	1-164-156-11	CERAMIC CHIP	0.1uF 25V
C1443	1-126-964-11	ELECT	10uF 20% 50V	C1563	1-164-156-11	CERAMIC CHIP	0.1uF 25V
C1444	1-164-315-11	CERAMIC CHIP	470PF 5% 50V	C1564	1-164-156-11	CERAMIC CHIP	0.1uF 25V
C1445	1-164-315-11	CERAMIC CHIP	470PF 5% 50V	C1565	1-164-156-11	CERAMIC CHIP	0.1uF 25V
C1446	1-164-156-11	CERAMIC CHIP	0.1uF 25V	C1566	1-164-156-11	CERAMIC CHIP	0.1uF 25V
C1447	1-126-934-11	ELECT	220uF 20% 10V	C1567	1-126-916-11	ELECT	1000uF 20% 6.3V
C1448	1-164-156-11	CERAMIC CHIP	0.1uF 25V	C1568	1-164-156-11	CERAMIC CHIP	0.1uF 25V
C1449	1-126-934-11	ELECT	220uF 20% 10V	C1569	1-126-916-11	ELECT	1000uF 20% 6.3V
C1451	1-104-663-11	ELECT	33uF 20% 25V	C1570	1-164-156-11	CERAMIC CHIP	0.1uF 25V
C1452	1-162-979-11	CERAMIC CHIP	0.0027uF 10% 50V	C1905	1-164-156-11	CERAMIC CHIP	0.1uF 25V
C1453	1-162-958-11	CERAMIC CHIP	270PF 5% 50V	C1906	1-126-935-11	ELECT	470uF 20% 16V
C1454	1-164-227-11	CERAMIC CHIP	0.022uF 10% 25V	C1908	1-126-935-11	ELECT	470uF 20% 16V
C1455	1-126-964-11	ELECT	10uF 20% 50V			< CONNECTOR >	
C1461	1-104-663-11	ELECT	33uF 20% 25V	CNP503	1-784-924-11	PIN, CONNECTOR 8P	
C1462	1-162-979-11	CERAMIC CHIP	0.0027uF 10% 50V	CNP506	1-784-924-11	PIN, CONNECTOR 8P	
C1463	1-162-958-11	CERAMIC CHIP	270PF 5% 50V	* CNP507	1-564-715-11	PIN, CONNECTOR (SMALL TYPE) 13P	
C1464	1-164-227-11	CERAMIC CHIP	0.022uF 10% 25V	* CNP508	1-564-719-11	PIN, CONNECTOR (SMALL TYPE) 3P	
C1465	1-126-964-11	ELECT	10uF 20% 50V	CNP509	1-564-718-11	PIN, CONNECTOR (SMALL TYPE) 2P	
C1471	1-104-663-11	ELECT	33uF 20% 25V	CNS501	1-766-720-11	CONNECTOR, BOARD TO BOARD 17P	
C1472	1-162-979-11	CERAMIC CHIP	0.0027uF 10% 50V	* CNS502	1-766-719-11	CONNECTOR, BOARD TO BOARD 10P	
C1473	1-162-958-11	CERAMIC CHIP	270PF 5% 50V	CNS505	1-779-757-11	SOCKET, CONNECTOR (L TYPE) 29P	
C1474	1-164-227-11	CERAMIC CHIP	0.022uF 10% 25V	CNS508	1-569-060-11	SOCKET, CONNECTOR 11P	
C1475	1-126-964-11	ELECT	10uF 20% 50V	CNS509	1-568-439-11	SOCKET, CONNECTOR 7P (DE885)	
C1481	1-104-663-11	ELECT	33uF 20% 25V	CNS509	1-568-440-11	SOCKET, CONNECTOR 17P (DE985)	
C1482	1-162-979-11	CERAMIC CHIP	0.0027uF 10% 50V			< DIODE >	
C1483	1-162-958-11	CERAMIC CHIP	270PF 5% 50V	D1001	8-719-053-18	DIODE 1SR154-400TE-25	
C1485	1-126-964-11	ELECT	10uF 20% 50V	D1102	8-719-016-74	DIODE 1SS352	
C1486	1-164-156-11	CERAMIC CHIP	0.1uF 25V	D1103	8-719-016-74	DIODE 1SS352	
C1487	1-164-156-11	CERAMIC CHIP	0.1uF 25V	D1105	8-719-016-74	DIODE 1SS352	
C1491	1-126-964-11	ELECT	10uF 20% 50V	D1106	8-719-016-74	DIODE 1SS352	
C1501	1-164-156-11	CERAMIC CHIP	0.1uF 25V	D1107	8-719-016-74	DIODE 1SS352	
C1503	1-164-156-11	CERAMIC CHIP	0.1uF 25V	D1108	8-719-016-74	DIODE 1SS352	
C1504	1-164-156-11	CERAMIC CHIP	0.1uF 25V	D1109	8-719-016-74	DIODE 1SS352	
C1505	1-164-156-11	CERAMIC CHIP	0.1uF 25V	D1110	8-719-016-74	DIODE 1SS352	
C1506	1-164-156-11	CERAMIC CHIP	0.1uF 25V	D1301	8-719-016-74	DIODE 1SS352	
C1507	1-164-156-11	CERAMIC CHIP	0.1uF 25V	D1302	8-719-016-74	DIODE 1SS352	
C1508	1-164-156-11	CERAMIC CHIP	0.1uF 25V			< FERRITE BEAD >	
C1509	1-162-927-11	CERAMIC CHIP	100PF 5% 50V	FB1065	1-469-152-11	FERRITE, EMI (SMD)	
C1510	1-164-156-11	CERAMIC CHIP	0.1uF 25V	FB1066	1-469-152-11	FERRITE, EMI (SMD)	
C1511	1-164-156-11	CERAMIC CHIP	0.1uF 25V	FB1067	1-469-152-11	FERRITE, EMI (SMD)	
C1513	1-164-156-11	CERAMIC CHIP	0.1uF 25V				
C1514	1-164-156-11	CERAMIC CHIP	0.1uF 25V				
C1515	1-126-916-11	ELECT	1000uF 20% 6.3V				
C1516	1-164-156-11	CERAMIC CHIP	0.1uF 25V				

DIGITAL

Ref. No.	Part No.	Description	Remark
FB1068	1-469-152-11	FERRITE, EMI (SMD)	
FB1101	1-414-813-11	FERRITE, EMI (SMD)	
FB1301	1-414-813-11	FERRITE, EMI (SMD)	
FB1302	1-414-813-11	FERRITE, EMI (SMD)	
FB1303	1-469-139-21	FERRITE, EMI (SMD)	
FB1304	1-469-152-11	FERRITE, EMI (SMD)	
FB1305	1-469-152-11	FERRITE, EMI (SMD)	
FB1306	1-414-813-11	FERRITE, EMI (SMD)	
FB1307	1-414-813-11	FERRITE, EMI (SMD)	
FB1308	1-414-813-11	FERRITE, EMI (SMD)	
FB1309	1-414-813-11	FERRITE, EMI (SMD)	
FB1400	1-414-813-11	FERRITE, EMI (SMD)	
FB1431	1-414-813-11	FERRITE, EMI (SMD)	
FB1501	1-414-813-11	FERRITE, EMI (SMD)	
FB1502	1-414-813-11	FERRITE, EMI (SMD)	
FB1551	1-469-139-21	FERRITE, EMI (SMD)	
FB1552	1-469-152-11	FERRITE, EMI (SMD)	
FB1553	1-414-813-11	FERRITE, EMI (SMD)	
FB1554	1-414-813-11	FERRITE, EMI (SMD)	
< IC >			
IC1001	8-759-039-69	IC uPC7805AHF	
IC1011	8-759-647-11	IC uPC2905HF	
IC1021	8-759-647-10	IC uPC2933HF	
IC1031	8-759-647-11	IC uPC2905HF	
IC1101	6-801-357-01	IC MB91154PFV-G-106-BNDE1	
IC1111	8-759-714-20	IC S-80929ANMP-DDS-T2	
IC1131	8-759-641-86	IC BR24C16F-E2	
IC1141	8-759-491-47	IC TC74VHCT08AFT(EL) (DE985)	
IC1142	8-759-491-47	IC TC74VHCT08AFT(EL)	
IC1202	8-759-825-13	IC PCM1748E/2K	
IC1301	8-759-825-15	IC LC89056W-E	
IC1302	8-759-595-15	IC TC74ACT153F(EL)	
IC1303	8-759-242-70	IC TC7WU04F	
IC1304	8-759-546-74	IC TC7WH157FU(TE12R)	
IC1305	8-759-447-77	IC TC7WH74FU(TE12R)	
IC1306	8-759-242-70	IC TC7WU04F	
IC1351	6-600-014-01	IC TORX141L (DIGITAL OPTICAL CD/SACD IN)	
IC1352	6-600-014-01	IC TORX141L (DIGITAL OPTICAL MD/TAPE IN) (DE885)	
IC1352	6-600-014-01	IC TORX141L (DIGITAL OPTICAL MD/DAT IN) (DE985)	
IC1353	6-600-012-11	IC TOTX141L(RED) (DIGITAL OPTICAL MD/TAPE OUT) (DE885)	
IC1353	6-600-012-11	IC TOTX141L(RED) (DIGITAL OPTICAL MD/DAT OUT) (DE985)	
IC1354	6-600-014-01	IC TORX141L (DIGITAL OPTICAL TV/SAT IN)	
IC1401	8-759-560-56	IC PCM1800E/2K	
IC1402	8-759-710-97	IC NJM4565M-D	
IC1403	8-759-710-97	IC NJM4565M-D	
IC1404	8-759-710-97	IC NJM4565M-D	
IC1405	8-759-710-97	IC NJM4565M-D	
IC1406	8-759-710-97	IC NJM4565M-D	
IC1451	8-759-825-12	IC PCM1604Y/2K	
IC1501	8-759-698-76	IC CXD9617R	
IC1502	8-759-538-16	IC IS61LV6416-15-EL10(ISSI)	
IC1551	8-759-698-77	IC CXD9616R	
IC1552	8-759-538-16	IC IS61LV6416-15-EL10(ISSI)	
IC1901	6-701-887-01	IC SI-3001KWF	

Ref. No.	Part No.	Description	Remark
< JACK >			
J1301	1-794-972-11	JACK, PIN 1P (DIGITAL COAXIAL DVD/LD IN)	
< JUMPER RESISTOR >			
JR1000	1-211-950-11	SHORT CHIP	0
JR1002	1-211-950-11	SHORT CHIP	0
JR1003	1-211-950-11	SHORT CHIP	0
JR1004	1-211-950-11	SHORT CHIP	0
JR1101	1-216-864-11	METAL CHIP	0 5% 1/10W (DE985)
< TRANSISTOR >			
Q1101	8-729-027-43	TRANSISTOR DTC114EKA-T146	
Q1102	8-729-230-49	TRANSISTOR 2SC2712-YG	
Q1103	8-729-027-43	TRANSISTOR DTC114EKA-T146	
Q1104	8-729-230-49	TRANSISTOR 2SC2712-YG	
Q1105	8-729-230-49	TRANSISTOR 2SC2712-YG	
Q1106	8-729-230-49	TRANSISTOR 2SC2712-YG	
Q1107	8-729-027-23	TRANSISTOR DTA114EKA-T146	
< RESISTOR >			
R1060	1-216-837-11	METAL CHIP	22K 5% 1/10W
R1061	1-216-837-11	METAL CHIP	22K 5% 1/10W
R1063	1-216-809-11	METAL CHIP	100 5% 1/10W
R1064	1-216-809-11	METAL CHIP	100 5% 1/10W
R1071	1-216-833-11	METAL CHIP	10K 5% 1/10W
R1072	1-216-845-11	METAL CHIP	100K 5% 1/10W
R1073	1-216-833-11	METAL CHIP	10K 5% 1/10W
R1074	1-216-295-11	SHORT CHIP	0 (DE885)
R1075	1-216-295-11	SHORT CHIP	0 (DE885)
R1076	1-216-295-11	SHORT CHIP	0 (DE885)
R1077	1-216-295-11	SHORT CHIP	0 (DE885)
R1078	1-216-295-11	SHORT CHIP	0 (DE885)
R1079	1-216-295-11	SHORT CHIP	0 (DE885)
R1081	1-216-809-11	METAL CHIP	100 5% 1/10W
R1082	1-216-809-11	METAL CHIP	100 5% 1/10W
R1083	1-216-833-11	METAL CHIP	10K 5% 1/10W
R1084	1-216-833-11	METAL CHIP	10K 5% 1/10W
R1085	1-216-809-11	METAL CHIP	100 5% 1/10W
R1086	1-216-809-11	METAL CHIP	100 5% 1/10W
R1087	1-216-809-11	METAL CHIP	100 5% 1/10W
R1088	1-216-833-11	METAL CHIP	10K 5% 1/10W
R1089	1-216-833-11	METAL CHIP	10K 5% 1/10W
R1091	1-216-833-11	METAL CHIP	10K 5% 1/10W (DE985)
R1092	1-216-833-11	METAL CHIP	10K 5% 1/10W (DE885)
R1093	1-216-833-11	METAL CHIP	10K 5% 1/10W
R1094	1-216-833-11	METAL CHIP	10K 5% 1/10W
R1095	1-216-833-11	METAL CHIP	10K 5% 1/10W
R1096	1-216-845-11	METAL CHIP	100K 5% 1/10W
R1097	1-216-845-11	METAL CHIP	100K 5% 1/10W
R1098	1-216-833-11	METAL CHIP	10K 5% 1/10W
R1099	1-216-833-11	METAL CHIP	10K 5% 1/10W
R1100	1-216-833-11	METAL CHIP	10K 5% 1/10W
R1101	1-216-829-11	METAL CHIP	4.7K 5% 1/10W
R1102	1-216-809-11	METAL CHIP	100 5% 1/10W
R1103	1-216-809-11	METAL CHIP	100 5% 1/10W

Ref. No.	Part No.	Description			Remark	Ref. No.	Part No.	Description			Remark
R1104	1-216-809-11	METAL CHIP	100	5%	1/10W	R1159	1-216-827-11	METAL CHIP	3.3K	5%	1/10W
R1105	1-216-809-11	METAL CHIP	100	5%	1/10W	R1160	1-216-809-11	METAL CHIP	100	5%	1/10W
R1106	1-216-809-11	METAL CHIP	100	5%	1/10W	R1161	1-216-809-11	METAL CHIP	100	5%	1/10W
R1107	1-216-829-11	METAL CHIP	4.7K	5%	1/10W	R1162	1-216-809-11	METAL CHIP	100	5%	1/10W
R1108	1-216-829-11	METAL CHIP	4.7K	5%	1/10W	R1163	1-216-809-11	METAL CHIP	100	5%	1/10W (DE985)
R1109	1-216-829-11	METAL CHIP	4.7K	5%	1/10W	R1164	1-216-809-11	METAL CHIP	100	5%	1/10W (DE985)
R1110	1-216-829-11	METAL CHIP	4.7K	5%	1/10W	R1165	1-216-809-11	METAL CHIP	100	5%	1/10W (DE985)
R1111	1-216-829-11	METAL CHIP	4.7K	5%	1/10W	R1166	1-216-809-11	METAL CHIP	100	5%	1/10W
R1112	1-216-809-11	METAL CHIP	100	5%	1/10W	R1167	1-216-809-11	METAL CHIP	100	5%	1/10W
R1113	1-216-809-11	METAL CHIP	100	5%	1/10W	R1168	1-216-809-11	METAL CHIP	100	5%	1/10W
R1114	1-216-809-11	METAL CHIP	100	5%	1/10W	R1169	1-216-809-11	METAL CHIP	100	5%	1/10W
R1115	1-216-809-11	METAL CHIP	100	5%	1/10W	R1170	1-216-809-11	METAL CHIP	100	5%	1/10W
R1116	1-216-821-11	METAL CHIP	1K	5%	1/10W	R1171	1-216-833-11	METAL CHIP	10K	5%	1/10W
R1117	1-216-821-11	METAL CHIP	1K	5%	1/10W	R1172	1-216-833-11	METAL CHIP	10K	5%	1/10W
R1118	1-216-821-11	METAL CHIP	1K	5%	1/10W	R1173	1-216-833-11	METAL CHIP	10K	5%	1/10W
R1119	1-216-821-11	METAL CHIP	1K	5%	1/10W	R1174	1-216-833-11	METAL CHIP	10K	5%	1/10W
R1120	1-216-809-11	METAL CHIP	100	5%	1/10W	R1176	1-216-833-11	METAL CHIP	10K	5%	1/10W
R1121	1-216-809-11	METAL CHIP	100	5%	1/10W	R1177	1-216-833-11	METAL CHIP	10K	5%	1/10W
R1122	1-216-809-11	METAL CHIP	100	5%	1/10W	R1178	1-216-833-11	METAL CHIP	10K	5%	1/10W
R1123	1-216-809-11	METAL CHIP	100	5%	1/10W	R1179	1-216-833-11	METAL CHIP	10K	5%	1/10W
R1124	1-216-809-11	METAL CHIP	100	5%	1/10W	R1180	1-216-833-11	METAL CHIP	10K	5%	1/10W
R1125	1-216-833-11	METAL CHIP	10K	5%	1/10W	R1181	1-216-833-11	METAL CHIP	10K	5%	1/10W
R1126	1-216-833-11	METAL CHIP	10K	5%	1/10W	R1182	1-216-833-11	METAL CHIP	10K	5%	1/10W
R1127	1-216-809-11	METAL CHIP	100	5%	1/10W	R1183	1-216-833-11	METAL CHIP	10K	5%	1/10W
R1128	1-216-809-11	METAL CHIP	100	5%	1/10W	R1184	1-216-833-11	METAL CHIP	10K	5%	1/10W
R1129	1-216-809-11	METAL CHIP	100	5%	1/10W	R1185	1-216-845-11	METAL CHIP	100K	5%	1/10W
R1130	1-216-809-11	METAL CHIP	100	5%	1/10W (DE985)	R1186	1-216-829-11	METAL CHIP	4.7K	5%	1/10W
R1131	1-216-809-11	METAL CHIP	100	5%	1/10W (DE985)	R1187	1-216-833-11	METAL CHIP	10K	5%	1/10W
R1132	1-216-809-11	METAL CHIP	100	5%	1/10W (DE985)	R1188	1-216-809-11	METAL CHIP	100	5%	1/10W
R1133	1-216-809-11	METAL CHIP	100	5%	1/10W	R1189	1-216-833-11	METAL CHIP	10K	5%	1/10W
R1134	1-216-809-11	METAL CHIP	100	5%	1/10W	R1190	1-216-833-11	METAL CHIP	10K	5%	1/10W
R1135	1-216-809-11	METAL CHIP	100	5%	1/10W	R1191	1-216-809-11	METAL CHIP	100	5%	1/10W
R1136	1-216-809-11	METAL CHIP	100	5%	1/10W	R1192	1-216-809-11	METAL CHIP	100	5%	1/10W
R1137	1-216-809-11	METAL CHIP	100	5%	1/10W	R1193	1-216-809-11	METAL CHIP	100	5%	1/10W
R1138	1-216-809-11	METAL CHIP	100	5%	1/10W	R1194	1-216-809-11	METAL CHIP	100	5%	1/10W
R1139	1-216-809-11	METAL CHIP	100	5%	1/10W	R1195	1-216-809-11	METAL CHIP	100	5%	1/10W
R1140	1-216-809-11	METAL CHIP	100	5%	1/10W	R1196	1-216-809-11	METAL CHIP	100	5%	1/10W
R1141	1-216-809-11	METAL CHIP	100	5%	1/10W	R1197	1-216-833-11	METAL CHIP	10K	5%	1/10W
R1142	1-216-809-11	METAL CHIP	100	5%	1/10W	R1198	1-216-833-11	METAL CHIP	10K	5%	1/10W (E23)
R1143	1-216-809-11	METAL CHIP	100	5%	1/10W	R1199	1-216-833-11	METAL CHIP	10K	5%	1/10W (US,CND,MX)
R1144	1-216-809-11	METAL CHIP	100	5%	1/10W	R1200	1-216-833-11	METAL CHIP	10K	5%	1/10W
R1145	1-216-829-11	METAL CHIP	4.7K	5%	1/10W	R1201	1-216-809-11	METAL CHIP	100	5%	1/10W
R1146	1-216-830-11	METAL CHIP	5.6K	5%	1/10W	R1202	1-216-840-11	METAL CHIP	39K	5%	1/10W
R1147	1-216-833-11	METAL CHIP	10K	5%	1/10W	R1203	1-216-840-11	METAL CHIP	39K	5%	1/10W
R1148	1-216-001-00	METAL CHIP	10	5%	1/10W	R1204	1-216-829-11	METAL CHIP	4.7K	5%	1/10W
R1149	1-216-809-11	METAL CHIP	100	5%	1/10W	R1260	1-216-864-11	METAL CHIP	0	5%	1/10W
R1150	1-216-809-11	METAL CHIP	100	5%	1/10W	R1261	1-216-864-11	METAL CHIP	0	5%	1/10W
R1151	1-216-809-11	METAL CHIP	100	5%	1/10W	R1300	1-216-809-11	METAL CHIP	100	5%	1/10W
R1152	1-216-809-11	METAL CHIP	100	5%	1/10W	R1301	1-216-830-11	METAL CHIP	5.6K	5%	1/10W
R1153	1-216-809-11	METAL CHIP	100	5%	1/10W	R1302	1-216-829-11	METAL CHIP	4.7K	5%	1/10W
R1154	1-216-809-11	METAL CHIP	100	5%	1/10W	R1303	1-216-839-11	METAL CHIP	33K	5%	1/10W
R1155	1-216-809-11	METAL CHIP	100	5%	1/10W	R1304	1-216-809-11	METAL CHIP	100	5%	1/10W
R1156	1-216-809-11	METAL CHIP	100	5%	1/10W	R1305	1-216-809-11	METAL CHIP	100	5%	1/10W
R1157	1-216-833-11	METAL CHIP	10K	5%	1/10W	R1306	1-216-809-11	METAL CHIP	100	5%	1/10W
R1158	1-216-827-11	METAL CHIP	3.3K	5%	1/10W						

STR-DE885/DE985

DIGITAL

Ref. No.	Part No.	Description	Quantity	Unit	Remark	Ref. No.	Part No.	Description	Quantity	Unit	Remark
R1307	1-216-809-11	METAL CHIP	100	5%	1/10W	R1494	1-216-845-11	METAL CHIP	100K	5%	1/10W
R1308	1-216-809-11	METAL CHIP	100	5%	1/10W	R1501	1-216-809-11	METAL CHIP	100	5%	1/10W
R1309	1-216-809-11	METAL CHIP	100	5%	1/10W	R1502	1-216-809-11	METAL CHIP	100	5%	1/10W
R1310	1-216-857-11	METAL CHIP	1M	5%	1/10W	R1503	1-216-809-11	METAL CHIP	100	5%	1/10W
R1311	1-216-809-11	METAL CHIP	100	5%	1/10W	R1504	1-216-809-11	METAL CHIP	100	5%	1/10W
R1312	1-216-809-11	METAL CHIP	100	5%	1/10W	R1505	1-216-809-11	METAL CHIP	100	5%	1/10W
R1313	1-216-809-11	METAL CHIP	100	5%	1/10W	R1506	1-216-809-11	METAL CHIP	100	5%	1/10W
R1314	1-216-833-11	METAL CHIP	10K	5%	1/10W	R1507	1-216-809-11	METAL CHIP	100	5%	1/10W
R1315	1-216-809-11	METAL CHIP	100	5%	1/10W	R1508	1-216-809-11	METAL CHIP	100	5%	1/10W
R1316	1-216-809-11	METAL CHIP	100	5%	1/10W	R1509	1-216-809-11	METAL CHIP	100	5%	1/10W
R1317	1-216-833-11	METAL CHIP	10K	5%	1/10W	R1510	1-216-809-11	METAL CHIP	100	5%	1/10W
R1318	1-216-833-11	METAL CHIP	10K	5%	1/10W	R1511	1-216-809-11	METAL CHIP	100	5%	1/10W
R1319	1-216-809-11	METAL CHIP	100	5%	1/10W	R1512	1-216-821-11	METAL CHIP	1K	5%	1/10W
R1320	1-216-811-11	METAL CHIP	150	5%	1/10W	R1513	1-216-833-11	METAL CHIP	10K	5%	1/10W
R1321	1-216-813-11	METAL CHIP	220	5%	1/10W	R1514	1-216-809-11	METAL CHIP	100	5%	1/10W
R1322	1-216-813-11	METAL CHIP	220	5%	1/10W	R1515	1-216-857-11	METAL CHIP	1M	5%	1/10W
R1351	1-216-809-11	METAL CHIP	100	5%	1/10W	R1517	1-216-809-11	METAL CHIP	100	5%	1/10W
R1352	1-216-809-11	METAL CHIP	100	5%	1/10W	R1518	1-216-809-11	METAL CHIP	100	5%	1/10W
R1353	1-216-809-11	METAL CHIP	100	5%	1/10W	R1519	1-216-809-11	METAL CHIP	100	5%	1/10W
R1354	1-216-809-11	METAL CHIP	100	5%	1/10W	R1520	1-216-809-11	METAL CHIP	100	5%	1/10W
R1355	1-218-285-11	RES-CHIP	75	5%	1/10W	R1521	1-216-809-11	METAL CHIP	100	5%	1/10W
R1356	1-216-821-11	METAL CHIP	1K	5%	1/10W	R1522	1-216-809-11	METAL CHIP	100	5%	1/10W
R1357	1-216-837-11	METAL CHIP	22K	5%	1/10W	R1525	1-216-809-11	METAL CHIP	100	5%	1/10W
R1358	1-216-854-11	METAL CHIP	560K	5%	1/10W	R1526	1-216-809-11	METAL CHIP	100	5%	1/10W
R1359	1-216-809-11	METAL CHIP	100	5%	1/10W	R1552	1-216-813-11	METAL CHIP	220	5%	1/10W
R1360	1-216-809-11	METAL CHIP	100	5%	1/10W	R1553	1-216-809-11	METAL CHIP	100	5%	1/10W
R1401	1-216-835-11	METAL CHIP	15K	5%	1/10W	R1554	1-216-821-11	METAL CHIP	1K	5%	1/10W
R1402	1-216-821-11	METAL CHIP	1K	5%	1/10W	R1556	1-216-809-11	METAL CHIP	100	5%	1/10W
R1403	1-216-832-11	METAL CHIP	8.2K	5%	1/10W	R1557	1-216-809-11	METAL CHIP	100	5%	1/10W
R1405	1-216-825-11	METAL CHIP	2.2K	5%	1/10W	R1558	1-216-809-11	METAL CHIP	100	5%	1/10W
R1406	1-216-821-11	METAL CHIP	1K	5%	1/10W	R1559	1-216-809-11	METAL CHIP	100	5%	1/10W
R1411	1-216-835-11	METAL CHIP	15K	5%	1/10W	R1560	1-216-809-11	METAL CHIP	100	5%	1/10W
R1412	1-216-821-11	METAL CHIP	1K	5%	1/10W	R1561	1-216-809-11	METAL CHIP	100	5%	1/10W
R1413	1-216-832-11	METAL CHIP	8.2K	5%	1/10W	R1562	1-216-809-11	METAL CHIP	100	5%	1/10W
R1421	1-216-835-11	METAL CHIP	15K	5%	1/10W	R1563	1-216-809-11	METAL CHIP	100	5%	1/10W
R1422	1-216-821-11	METAL CHIP	1K	5%	1/10W	R1564	1-216-833-11	METAL CHIP	10K	5%	1/10W
R1423	1-216-832-11	METAL CHIP	8.2K	5%	1/10W	R1565	1-216-809-11	METAL CHIP	100	5%	1/10W
R1431	1-216-833-11	METAL CHIP	10K	5%	1/10W	R1566	1-216-857-11	METAL CHIP	1M	5%	1/10W
R1432	1-216-809-11	METAL CHIP	100	5%	1/10W	R1567	1-216-809-11	METAL CHIP	100	5%	1/10W
R1433	1-216-809-11	METAL CHIP	100	5%	1/10W	R1568	1-216-809-11	METAL CHIP	100	5%	1/10W
R1434	1-216-809-11	METAL CHIP	100	5%	1/10W	R1569	1-216-809-11	METAL CHIP	100	5%	1/10W
R1442	1-216-845-11	METAL CHIP	100K	5%	1/10W	R1570	1-216-809-11	METAL CHIP	100	5%	1/10W
R1443	1-216-837-11	METAL CHIP	22K	5%	1/10W	R1571	1-216-809-11	METAL CHIP	100	5%	1/10W
R1444	1-216-845-11	METAL CHIP	100K	5%	1/10W	R1572	1-216-809-11	METAL CHIP	100	5%	1/10W
R1451	1-216-835-11	METAL CHIP	15K	5%	1/10W	R1573	1-216-809-11	METAL CHIP	100	5%	1/10W
R1452	1-216-821-11	METAL CHIP	1K	5%	1/10W	R1576	1-216-809-11	METAL CHIP	100	5%	1/10W
R1453	1-216-832-11	METAL CHIP	8.2K	5%	1/10W	R1577	1-216-809-11	METAL CHIP	100	5%	1/10W
R1461	1-216-835-11	METAL CHIP	15K	5%	1/10W	R1578	1-216-809-11	METAL CHIP	100	5%	1/10W
R1462	1-216-821-11	METAL CHIP	1K	5%	1/10W	R1579	1-216-809-11	METAL CHIP	100	5%	1/10W
R1463	1-216-832-11	METAL CHIP	8.2K	5%	1/10W	R1580	1-216-813-11	METAL CHIP	220	5%	1/10W
R1471	1-216-835-11	METAL CHIP	15K	5%	1/10W	R1581	1-216-813-11	METAL CHIP	220	5%	1/10W
R1472	1-216-821-11	METAL CHIP	1K	5%	1/10W	R1582	1-216-813-11	METAL CHIP	220	5%	1/10W
R1473	1-216-832-11	METAL CHIP	8.2K	5%	1/10W						
R1481	1-216-835-11	METAL CHIP	15K	5%	1/10W			< VIBRATOR >			
R1482	1-216-821-11	METAL CHIP	1K	5%	1/10W						
R1483	1-216-832-11	METAL CHIP	8.2K	5%	1/10W	X1101	1-795-179-21	VIBRATOR, CERAMIC (16.5MHz)			
R1492	1-216-845-11	METAL CHIP	100K	5%	1/10W	X1301	1-795-219-21	VIBRATOR, CRYSTAL (24.576MHz)			
R1493	1-216-837-11	METAL CHIP	22K	5%	1/10W	X1501	1-795-297-21	VIBRATOR, CERAMIC (13.59MHz)			
						X1551	1-795-264-21	VIBRATOR, CERAMIC (13.5MHz)			

DISPLAY

Ref. No.	Part No.	Description	Remark	Ref. No.	Part No.	Description	Remark
	A-4728-139-A	DISPLAY BOARD, COMPLETE (DE985)		D116	8-719-046-39	LED SEL5821A-TP15 (EQ)	
	A-4728-216-A	DISPLAY BOARD, COMPLETE (DE885:US,CND,MX)		D117	8-719-046-39	LED SEL5821A-TP15 (MULTI/2CH ANALOG DIRECT)	
	A-4728-274-A	DISPLAY BOARD, COMPLETE (DE885:E23) *****				< FLUORESCENT INDICATOR >	
*	4-955-901-01	CUSHION (FL)		FL101	1-518-737-11	INDICATOR TUBE, FLUORESCENT	
*	4-990-797-01	HOLDER (FL)				< IC >	
		< CAPACITOR >		IC101	6-701-920-01	IC ML9261AMB	
C101	1-164-159-11	CERAMIC	0.1uF 50V	IC102	6-701-888-01	IC BU2152FS	
C111	1-164-159-11	CERAMIC	0.1uF 50V	IC103	8-759-826-34	IC NJL74H400A	
C121	1-164-159-11	CERAMIC	0.1uF 50V	IC171	8-759-036-90	IC MC74ACT08N	
C131	1-164-159-11	CERAMIC	0.1uF 50V			< COIL >	
C141	1-164-159-11	CERAMIC	0.1uF 50V				
C161	1-164-159-11	CERAMIC	0.1uF 50V	L101	1-410-525-11	INDUCTOR 220uH	
C162	1-164-159-11	CERAMIC	0.1uF 50V			< RESISTOR >	
C171	1-164-159-11	CERAMIC	0.1uF 50V	R102	1-249-417-11	CARBON 1K 5%	1/4W
C181	1-128-821-11	CERAMIC	0.001uF 5% 50V	R103	1-249-421-11	CARBON 2.2K 5%	1/4W
C182	1-127-876-11	CERAMIC	0.01uF 10% 50V	R104	1-249-421-11	CARBON 2.2K 5%	1/4W
C183	1-164-159-11	CERAMIC	0.1uF 50V	R105	1-249-425-11	CARBON 4.7K 5%	1/4W
C184	1-124-589-11	ELECT	47uF 20% 16V	R106	1-249-429-11	CARBON 10K 5%	1/4W
C188	1-124-589-11	ELECT	47uF 20% 16V	R107	1-249-433-11	CARBON 22K 5%	1/4W
C191	1-128-809-11	CERAMIC	100PF 5% 50V	R112	1-249-417-11	CARBON 1K 5%	1/4W
C192	1-126-967-11	ELECT	47uF 20% 50V	R113	1-249-421-11	CARBON 2.2K 5%	1/4W
C193	1-164-159-11	CERAMIC	0.1uF 50V	R114	1-249-421-11	CARBON 2.2K 5%	1/4W
C194	1-164-159-11	CERAMIC	0.1uF 50V	R115	1-249-425-11	CARBON 4.7K 5%	1/4W
C195	1-124-589-11	ELECT	47uF 20% 16V	R116	1-249-429-11	CARBON 10K 5%	1/4W
C196	1-128-809-11	CERAMIC	100PF 5% 50V	R117	1-249-433-11	CARBON 22K 5%	1/4W
C197	1-128-809-11	CERAMIC	100PF 5% 50V	R118	1-249-437-11	CARBON 47K 5%	1/4W (DE985)
C198	1-128-809-11	CERAMIC	100PF 5% 50V	R122	1-249-417-11	CARBON 1K 5%	1/4W
		< CONNECTOR >		R123	1-249-421-11	CARBON 2.2K 5%	1/4W
CNP106	1-779-978-11	PIN, CONNECTOR 3P		R124	1-249-421-11	CARBON 2.2K 5%	1/4W
CNS101	1-779-768-11	SOCKET, CONNECTOR 29P		R125	1-249-425-11	CARBON 4.7K 5%	1/4W
* CNS103	1-565-480-11	CONNECTOR, BOARD TO BOARD 4P		R126	1-249-429-11	CARBON 10K 5%	1/4W
		< DIODE >		R127	1-249-433-11	CARBON 22K 5%	1/4W
D101	8-719-084-07	LED SEL5E20C-TP15 (MULTI CHANNEL DECODING)		R132	1-249-417-11	CARBON 1K 5%	1/4W
D102	8-719-075-59	LED SELS5B23C-TP15 (Digital Cinema Sound)		R133	1-249-421-11	CARBON 2.2K 5%	1/4W
D103	8-719-075-60	LED SELS5823C-TP15 (VIDEO SELECT INDICATOR VIDEO 1)		R134	1-249-421-11	CARBON 2.2K 5%	1/4W
D104	8-719-075-60	LED SELS5823C-TP15 (VIDEO SELECT INDICATOR VIDEO 2)		R135	1-249-425-11	CARBON 4.7K 5%	1/4W
D105	8-719-075-60	LED SELS5823C-TP15 (VIDEO SELECT INDICATOR VIDEO 3)		R136	1-249-429-11	CARBON 10K 5%	1/4W
D106	8-719-075-60	LED SELS5823C-TP15 (VIDEO SELECT INDICATOR TV/SAT)		R142	1-249-417-11	CARBON 1K 5%	1/4W
D107	8-719-075-60	LED SELS5823C-TP15 (VIDEO SELECT INDICATOR DVD/LD)		R143	1-249-421-11	CARBON 2.2K 5%	1/4W
D108	8-719-075-59	LED SELS5B23C-TP15 (SB DEC)		R144	1-249-421-11	CARBON 2.2K 5%	1/4W
D109	8-719-046-39	LED SEL5821A-TP15 (2CH (SOUND FIELD))		R161	1-249-403-11	CARBON 68 5%	1/4W
D110	8-719-046-39	LED SEL5821A-TP15 (MODE (SOUND FIELD))		R162	1-249-429-11	CARBON 10K 5%	1/4W
D111	8-719-046-39	LED SEL5821A-TP15 (A.DEC (SOUND FIELD))		R163	1-249-409-11	CARBON 220 5%	1/4W
D112	8-719-046-39	LED SEL5821A-TP15 (CUSTOMIZE)		R164	1-249-409-11	CARBON 220 5%	1/4W
D113	8-719-046-39	LED SEL5821A-TP15 (SET UP)		R165	1-249-409-11	CARBON 220 5%	1/4W
D114	8-719-046-39	LED SEL5821A-TP15 (LEVEL)		R166	1-249-409-11	CARBON 220 5%	1/4W
D115	8-719-046-39	LED SEL5821A-TP15 (SURR)		R167	1-249-409-11	CARBON 220 5%	1/4W
				R168	1-249-409-11	CARBON 220 5%	1/4W
				R169	1-249-411-11	CARBON 330 5%	1/4W
				R170	1-249-411-11	CARBON 330 5%	1/4W
				R171	1-249-411-11	CARBON 330 5%	1/4W
				R172	1-249-409-11	CARBON 220 5%	1/4W
				R173	1-249-429-11	CARBON 10K 5%	1/4W

STR-DE885/DE985

DISPLAY **HEADPHONE** **JOG** **MAIN**

Ref. No.	Part No.	Description	Remark
R181	1-249-417-11	CARBON 1K 5%	1/4W
R182	1-249-417-11	CARBON 1K 5%	1/4W
R183	1-249-437-11	CARBON 47K 5%	1/4W
R184	1-247-807-31	CARBON 100 5%	1/4W
R185	1-247-807-31	CARBON 100 5%	1/4W
R186	1-249-393-11	CARBON 10 5%	1/4W
R187	1-247-807-31	CARBON 100 5%	1/4W
R191	1-249-437-11	CARBON 47K 5%	1/4W
R192	1-247-807-31	CARBON 100 5%	1/4W
R193	1-247-807-31	CARBON 100 5%	1/4W
R194	1-247-807-31	CARBON 100 5%	1/4W
R195	1-247-807-31	CARBON 100 5%	1/4W
R198	1-249-381-11	CARBON 1 5%	1/4W
R199	1-249-381-11	CARBON 1 5%	1/4W
< ROTARY ENCODER >			
RV101	1-418-725-41	ENCODER, ROTARY (12 TYPE) (MASTER VOLUME)	
RV102	1-476-980-11	ENCODER, ROTARY (FUNCTION)	
< SWITCH >			
S101	1-762-875-21	SWITCH, KEYBOARD (EQUALIZER)	
S102	1-762-875-21	SWITCH, KEYBOARD (MULTI/2CH ANALOG DIRECT)	
S103	1-762-875-21	SWITCH, KEYBOARD (2CH (SOUND FIELD))	
S104	1-762-875-21	SWITCH, KEYBOARD (CINEMA STUDIO EX B)	
S105	1-762-875-21	SWITCH, KEYBOARD (MODE (SOUND FIELD))	
S106	1-762-875-21	SWITCH, KEYBOARD (CINEMA STUDIO EX A)	
S107	1-762-875-21	SWITCH, KEYBOARD (A.DEC (SOUND FIELD))	
S111	1-762-875-21	SWITCH, KEYBOARD (MODE (FUNCTION))	
S112	1-762-875-21	SWITCH, KEYBOARD (INPUT MODE)	
S113	1-762-875-21	SWITCH, KEYBOARD (MUTING)	
S114	1-762-875-21	SWITCH, KEYBOARD (DIGITAL CONCERT HALL A)	
S115	1-762-875-21	SWITCH, KEYBOARD (SURR BACK DECODING)	
S116	1-762-875-21	SWITCH, KEYBOARD (DIGITAL CONCERT HALL B)	
S117	1-762-875-21	SWITCH, KEYBOARD (CINEMA STUDIO EX C)	
S118	1-762-875-21	SWITCH, KEYBOARD (2ND ROOM) (DE985)	
S121	1-762-875-21	SWITCH, KEYBOARD (EQ)	
S122	1-762-875-21	SWITCH, KEYBOARD (SURR)	
S123	1-762-875-21	SWITCH, KEYBOARD (LEVEL)	
S124	1-762-875-21	SWITCH, KEYBOARD (CUSTOMIZE)	
S125	1-762-875-21	SWITCH, KEYBOARD (SET UP)	
S126	1-762-875-21	SWITCH, KEYBOARD (>)	
S127	1-762-875-21	SWITCH, KEYBOARD (ENTER)	
S131	1-762-875-21	SWITCH, KEYBOARD (<)	
S132	1-762-875-21	SWITCH, KEYBOARD (FM MODE)	
S133	1-762-875-21	SWITCH, KEYBOARD (AM)	
S134	1-762-875-21	SWITCH, KEYBOARD (PRESET TUNING -)	
S135	1-762-875-21	SWITCH, KEYBOARD (TUNING +)	
S136	1-762-875-21	SWITCH, KEYBOARD (PRESET TUNING +)	
S141	1-762-875-21	SWITCH, KEYBOARD (FM)	
S142	1-762-875-21	SWITCH, KEYBOARD (SHIFT)	
S143	1-762-875-21	SWITCH, KEYBOARD (TUNING -)	
S144	1-762-875-21	SWITCH, KEYBOARD (MEMORY)	

Ref. No.	Part No.	Description	Remark
1-684-381-11	HEADPHONE BOARD	*****	
< CAPACITOR >			
C702	1-164-159-11	CERAMIC 0.1uF	50V
< CONNECTOR >			
CNP701	1-784-921-11	PIN, CONNECTOR 4P	
< JACK >			
J701	1-815-313-21	JACK (PHONES)	

1-684-380-11	JOG BOARD	*****	
< CONNECTOR >			
CNP107	1-779-978-11	PIN, CONNECTOR 3P	
< ROTARY ENCODER >			
RV103	1-418-817-11	ENCODER, ROTARY (JOG DIAL)	

A-4728-141-A	MAIN BOARD, COMPLETE (DE985:US)		
A-4728-159-A	MAIN BOARD, COMPLETE (DE985:CND)		
A-4728-224-A	MAIN BOARD, COMPLETE (DE885:US,E23,MX)		
A-4728-231-A	MAIN BOARD, COMPLETE (DE885:CND)		

7-685-871-01	SCREW +BVTT 3X6 (S)		
< CAPACITOR >			
C123	1-126-965-11	ELECT 22uF 20%	50V (DE985)
C124	1-126-965-11	ELECT 22uF 20%	50V (DE985)
C134	1-128-809-11	CERAMIC 100PF 5%	50V (DE985)
C173	1-126-965-11	ELECT 22uF 20%	50V (DE985)
C174	1-126-965-11	ELECT 22uF 20%	50V (DE985)
C184	1-128-809-11	CERAMIC 100PF 5%	50V (DE985)
C302	1-128-813-11	CERAMIC 220PF 5%	50V
C303	1-126-961-11	ELECT 2.2uF 20%	50V
C304	1-126-934-11	ELECT 220uF 20%	10V
C305	1-128-809-11	CERAMIC 100PF 5%	50V
C306	1-125-896-11	MYLAR 0.0091uF 5%	50V
C307	1-136-159-00	FILM 0.033uF 5%	50V
C308	1-126-961-11	ELECT 2.2uF 20%	50V
C309	1-127-880-11	CERAMIC 0.022uF 10%	50V
C310	1-130-471-00	MYLAR 0.001uF 5%	50V
C311	1-126-964-11	ELECT 10uF 20%	50V
C314	1-126-964-11	ELECT 10uF 20%	50V
C316	1-126-964-11	ELECT 10uF 20%	50V (DE985)
C319	1-126-964-11	ELECT 10uF 20%	50V
C321	1-126-964-11	ELECT 10uF 20%	50V

Ref. No.	Part No.	Description	Remark			Ref. No.	Part No.	Description	Remark		
C323	1-126-964-11	ELECT	10uF	20%	50V	C438	1-126-964-11	ELECT	10uF	20%	50V
C352	1-128-813-11	CERAMIC	220PF	5%	50V	C443	1-127-880-11	CERAMIC	0.022uF	10%	50V
C353	1-126-961-11	ELECT	2.2uF	20%	50V	C444	1-126-964-11	ELECT	10uF	20%	50V
C354	1-126-934-11	ELECT	220uF	20%	10V	C451	1-126-964-11	ELECT	10uF	20%	50V
C355	1-128-809-11	CERAMIC	100PF	5%	50V						(DE985)
						C459	1-126-964-11	ELECT	10uF	20%	50V
C356	1-125-896-11	MYLAR	0.0091uF	5%	50V						
C357	1-136-159-00	FILM	0.033uF	5%	50V	C460	1-126-964-11	ELECT	10uF	20%	50V
C358	1-126-961-11	ELECT	2.2uF	20%	50V	C461	1-126-963-11	ELECT	4.7uF	20%	50V
C359	1-127-880-11	CERAMIC	0.022uF	10%	50V	C462	1-128-809-11	CERAMIC	100PF	5%	50V
C360	1-130-471-00	MYLAR	0.001uF	5%	50V	C463	1-101-810-00	CERAMIC	100PF	5%	500V
						C464	1-102-233-00	CERAMIC	33PF	10%	500V
C361	1-126-964-11	ELECT	10uF	20%	50V						
C364	1-126-964-11	ELECT	10uF	20%	50V	C465	1-107-583-11	CERAMIC	3PF	0.25PF	500V
C366	1-126-964-11	ELECT	10uF	20%	50V	C466	1-126-934-11	ELECT	220uF	20%	10V
						C467	1-106-355-12	MYLAR	0.0033uF	5%	200V
C369	1-126-964-11	ELECT	10uF	20%	50V	C468	1-106-355-12	MYLAR	0.0033uF	5%	200V
C371	1-126-964-11	ELECT	10uF	20%	50V	C471	1-126-947-11	ELECT	47uF	20%	16V
C373	1-126-964-11	ELECT	10uF	20%	50V	C473	1-102-233-00	CERAMIC	33PF	10%	500V
C390	1-128-803-11	CERAMIC	33PF	5%	50V	C474	1-102-233-00	CERAMIC	33PF	10%	500V
C391	1-126-963-11	ELECT	4.7uF	20%	50V	C475	1-128-813-11	CERAMIC	220PF	5%	50V
C393	1-127-880-11	CERAMIC	0.022uF	10%	50V	C476	1-127-876-11	CERAMIC	0.01uF	10%	50V
C394	1-126-964-11	ELECT	10uF	20%	50V	C477	1-126-964-11	ELECT	10uF	20%	50V
C395	1-126-963-11	ELECT	4.7uF	20%	50V	C478	1-126-964-11	ELECT	10uF	20%	50V
C401	1-126-964-11	ELECT	10uF	20%	50V	C479	1-126-964-11	ELECT	10uF	20%	50V
						C481	1-136-157-00	FILM	0.022uF	5%	50V
C411	1-126-963-11	ELECT	4.7uF	20%	50V	C490	1-128-803-11	CERAMIC	33PF	5%	50V
						C491	1-126-963-11	ELECT	4.7uF	20%	50V
C412	1-128-809-11	CERAMIC	100PF	5%	50V						
						C493	1-127-880-11	CERAMIC	0.022uF	10%	50V
C413	1-101-810-00	CERAMIC	100PF	5%	500V	C494	1-126-964-11	ELECT	10uF	20%	50V
						C495	1-126-963-11	ELECT	4.7uF	20%	50V
						C497	1-128-809-11	CERAMIC	100PF	5%	50V
C414	1-102-233-00	CERAMIC	33PF	10%	500V	C498	1-128-809-11	CERAMIC	100PF	5%	50V
C415	1-107-583-11	CERAMIC	3PF	0.25PF	500V	C499	1-128-809-11	CERAMIC	100PF	5%	50V
						C501	1-126-964-11	ELECT	10uF	20%	50V
C416	1-126-934-11	ELECT	220uF	20%	10V						(DE985)
						C511	1-126-963-11	ELECT	4.7uF	20%	50V
C417	1-126-964-11	ELECT	10uF	20%	50V	C512	1-128-809-11	CERAMIC	100PF	5%	50V
C418	1-164-159-11	CERAMIC	0.1uF		50V	C513	1-101-810-00	CERAMIC	100PF	5%	500V
C419	1-126-964-11	ELECT	10uF	20%	50V	C514	1-102-233-00	CERAMIC	33PF	10%	500V
C420	1-126-964-11	ELECT	10uF	20%	50V	C515	1-107-583-11	CERAMIC	3PF	0.25PF	500V
C421	1-126-947-11	ELECT	47uF	20%	16V	C516	1-126-934-11	ELECT	220uF	20%	10V
						C521	1-126-947-11	ELECT	47uF	20%	16V
C422	1-164-159-11	CERAMIC	0.1uF		50V	C523	1-102-233-00	CERAMIC	33PF	10%	500V
C423	1-102-233-00	CERAMIC	33PF	10%	500V						
						C524	1-102-233-00	CERAMIC	33PF	10%	500V
						C525	1-128-813-11	CERAMIC	220PF	5%	50V
C424	1-102-233-00	CERAMIC	33PF	10%	500V	C526	1-127-876-11	CERAMIC	0.01uF	10%	50V
						C527	1-126-964-11	ELECT	10uF	20%	50V
C425	1-128-813-11	CERAMIC	220PF	5%	50V	C531	1-136-157-00	FILM	0.022uF	5%	50V
C426	1-127-876-11	CERAMIC	0.01uF	10%	50V	C543	1-127-880-11	CERAMIC	0.022uF	10%	50V
						C544	1-126-964-11	ELECT	10uF	20%	50V
C427	1-126-964-11	ELECT	10uF	20%	50V	C551	1-126-964-11	ELECT	10uF	20%	50V
											(DE985)
C428	1-164-159-11	CERAMIC	0.1uF		50V	C561	1-126-963-11	ELECT	4.7uF	20%	50V
						C562	1-128-809-11	CERAMIC	100PF	5%	50V
C429	1-126-964-11	ELECT	10uF	20%	50V						
C430	1-126-964-11	ELECT	10uF	20%	50V	C563	1-101-810-00	CERAMIC	100PF	5%	500V
						C564	1-102-233-00	CERAMIC	33PF	10%	500V
C431	1-136-157-00	FILM	0.022uF	5%	50V	C565	1-107-583-11	CERAMIC	3PF	0.25PF	500V
						C566	1-126-934-11	ELECT	220uF	20%	10V
C432	1-126-964-11	ELECT	10uF	20%	50V	C571	1-126-947-11	ELECT	47uF	20%	16V
											(DE985)

STR-DE885/DE985

MAIN

Ref. No.	Part No.	Description			Remark	Ref. No.	Part No.	Description			Remark
C573	1-102-233-00	CERAMIC	33PF	10%	500V	C812	1-164-159-11	CERAMIC	0.1uF		50V
C575	1-102-233-00	CERAMIC	33PF	10%	500V	C813	1-126-947-11	ELECT	47uF	20%	16V
C576	1-127-876-11	CERAMIC	0.01uF	10%	50V	C814	1-126-947-11	ELECT	47uF	20%	16V
C577	1-126-964-11	ELECT	10uF	20%	50V	C815	1-164-159-11	CERAMIC	0.1uF		50V
C578	1-128-813-11	CERAMIC	220PF	5%	50V	C816	1-126-967-11	ELECT	47uF	20%	50V
C581	1-136-157-00	FILM	0.022uF	5%	50V	< CONNECTOR >					
C593	1-127-880-11	CERAMIC	0.022uF	10%	50V	* CN807	1-506-599-11	PIN, CONNECTOR (3.96mm PITCH)	10P		
C594	1-126-964-11	ELECT	10uF	20%	50V	CN808	1-564-320-00	PIN, CONNECTOR 2P (DE985)			
C595	1-126-964-11	ELECT	10uF	20%	50V	* CNP801	1-564-104-00	PIN, CONNECTOR (3.96mm PITCH)	3P		
C601	1-126-964-11	ELECT	10uF	20%	50V	CNP802	1-691-765-11	PLUG (MICRO CONNECTOR)	3P		
					(DE985)	CNP803	1-766-201-11	SOCKET, CONNECTOR	11P		
C611	1-126-963-11	ELECT	4.7uF	20%	50V	CNP810	1-766-715-21	CONNECTOR, BOARD TO BOARD	10P		
C612	1-128-809-11	CERAMIC	100PF	5%	50V	* CNP811	1-766-718-21	CONNECTOR, BOARD TO BOARD	17P		
C613	1-101-810-00	CERAMIC	100PF	5%	500V	CNP814	1-784-925-11	PIN, CONNECTOR	10P		
C614	1-102-233-00	CERAMIC	33PF	10%	500V	< DIODE >					
C615	1-107-583-11	CERAMIC	3PF	0.25PF	500V	D130	8-719-911-19	DIODE	1SS119-25 (DE985)		
C616	1-126-934-11	ELECT	220uF	20%	10V	D301	8-719-911-19	DIODE	1SS119-25		
C621	1-126-947-11	ELECT	47uF	20%	16V	D351	8-719-911-19	DIODE	1SS119-25		
C623	1-102-233-00	CERAMIC	33PF	10%	500V	D425	8-719-911-19	DIODE	1SS119-25 (DE985)		
C624	1-102-233-00	CERAMIC	33PF	10%	500V	D426	8-719-911-19	DIODE	1SS119-25 (DE985)		
C625	1-128-813-11	CERAMIC	220PF	5%	50V	D475	8-719-911-19	DIODE	1SS119-25		
C626	1-127-876-11	CERAMIC	0.01uF	10%	50V	D476	8-719-911-19	DIODE	1SS119-25		
C627	1-126-964-11	ELECT	10uF	20%	50V	D525	8-719-911-19	DIODE	1SS119-25		
C631	1-136-157-00	FILM	0.022uF	5%	50V	D526	8-719-911-19	DIODE	1SS119-25		
C643	1-127-880-11	CERAMIC	0.022uF	10%	50V	D575	8-719-911-19	DIODE	1SS119-25		
C651	1-126-964-11	ELECT	10uF	20%	50V						
					(DE985)	D576	8-719-911-19	DIODE	1SS119-25		
C654	1-126-964-11	ELECT	10uF	20%	50V	D625	8-719-911-19	DIODE	1SS119-25		
					(DE985)	D626	8-719-911-19	DIODE	1SS119-25		
C661	1-126-963-11	ELECT	4.7uF	20%	50V	D675	8-719-911-19	DIODE	1SS119-25		
C662	1-128-809-11	CERAMIC	100PF	5%	50V	D676	8-719-911-19	DIODE	1SS119-25		
C663	1-101-810-00	CERAMIC	100PF	5%	500V	D735	8-719-983-95	DIODE	MTZJ-T-72-39		
C664	1-102-233-00	CERAMIC	33PF	10%	500V	D736	8-719-911-19	DIODE	1SS119-25		
C665	1-107-583-11	CERAMIC	3PF	0.25PF	500V	D751	8-719-911-19	DIODE	1SS119-25		
C666	1-126-934-11	ELECT	220uF	20%	10V	D752	8-719-911-19	DIODE	1SS119-25		
C671	1-126-947-11	ELECT	47uF	20%	16V	D753	8-719-911-19	DIODE	1SS119-25		
C673	1-102-233-00	CERAMIC	33PF	10%	500V	D801	8-719-072-05	DIODE	RBV-602LF-A		
C674	1-102-233-00	CERAMIC	33PF	10%	500V	D802	8-719-983-95	DIODE	MTZJ-T-72-39		
C675	1-128-813-11	CERAMIC	220PF	5%	50V	D803	8-719-118-63	DIODE	RD5.6F-T7B2		
C676	1-127-876-11	CERAMIC	0.01uF	10%	50V	D811	8-719-043-76	DIODE	AK04V0		
C677	1-126-964-11	ELECT	10uF	20%	50V	D881	8-719-911-19	DIODE	1SS119-25		
C681	1-136-157-00	FILM	0.022uF	5%	50V	D882	8-719-911-19	DIODE	1SS119-25		
C693	1-127-880-11	CERAMIC	0.022uF	10%	50V	< IC >					
C694	1-126-964-11	ELECT	10uF	20%	50V	IC103	8-759-636-74	IC	M5218AP-22 (DE985)		
C721	1-128-579-11	ELECT	2.2uF	20%	100V	IC301	8-759-636-74	IC	M5218AP-22		
C731	1-128-809-11	CERAMIC	100PF	5%	50V	IC400	6-700-943-01	IC	uPC2581V-S		
C741	1-128-582-11	ELECT	10uF	20%	100V	IC401	6-701-889-01	IC	M61522FP		
C742	1-128-582-11	ELECT	10uF	20%	100V	IC402	6-702-087-01	IC	TC9273N-011 (DE985)		
C751	1-126-934-11	ELECT	220uF	20%	10V	IC500	6-700-943-01	IC	uPC2581V-S		
C752	1-126-964-11	ELECT	10uF	20%	50V	IC600	6-700-943-01	IC	uPC2581V-S		
C801	1-135-851-21	MYLAR	0.22uF		100V	IC604	8-759-636-74	IC	M5218AP-22		
C802	1-135-851-21	MYLAR	0.22uF		100V	IC730	8-759-636-74	IC	M5218AP-22		
C803	1-125-897-11	ELECT	10000uF	20%	71V	IC811	8-759-649-68	IC	uPC78M07AHF		
C804	1-125-897-11	ELECT	10000uF	20%	71V	IC812	8-759-604-95	IC	M5F79M07L		
C805	1-126-967-11	ELECT	47uF	20%	50V	IC813	8-759-604-32	IC	M5F7810L		
C806	1-126-968-11	ELECT	100uF	20%	50V						
C807	1-126-967-11	ELECT	47uF	20%	50V						
C811	1-164-159-11	CERAMIC	0.1uF		50V						

Ref. No.	Part No.	Description	Remark	Ref. No.	Part No.	Description	Remark
		< JACK >					
J103	1-778-321-11	JACK, PIN 2P (2ND ROOM) (DE985:CND)		Q641	8-729-823-22	TRANSISTOR 2SC3576	
J103	1-815-045-11	JACK, PIN 2P (2ND ROOM) (DE985:US)		Q652	8-729-823-22	TRANSISTOR 2SC3576	
J301	1-794-981-11	JACK, PIN 4P (PHONO IN,CD/SACD IN)		Q671	8-729-119-76	TRANSISTOR 2SA1175-HFE	
J302	1-794-981-11	JACK, PIN 4P (MD/TAPE OUT,IN) (DE885)		Q672	8-729-141-30	TRANSISTOR 2SC3623A-LK	
J302	1-794-981-11	JACK, PIN 4P (MD/DAT OUT,IN) (DE985)		Q675	8-729-140-82	TRANSISTOR 2SA988-PAFAEA	
J303	1-794-981-11	JACK, PIN 4P (TAPE OUT,IN) (DE985)		Q676	8-729-140-82	TRANSISTOR 2SA988-PAFAEA	
J304	1-793-775-12	JACK, PIN 6P (MULTI CH IN 1 FRONT, SURROUND,CENTER,SURR BACK) (DE985)		Q677	8-729-281-53	TRANSISTOR 2SC1815-GR	
J305	1-774-785-11	JACK, PIN 1P (MULTI CH IN 1 SUB WOOFER) (DE985)		Q691	8-729-823-22	TRANSISTOR 2SC3576	
J308	1-793-775-12	JACK, PIN 6P (MULTI CH IN FRONT, SURROUND,CENTER,SUB WOOFER) (DE885)		Q721	8-729-116-02	TRANSISTOR BA1A4M-TP	
J308	1-793-775-12	JACK, PIN 6P (MULTI CH IN 2 FRONT, SURROUND,CENTER,SUB WOOFER) (DE985)		Q722	8-729-900-63	TRANSISTOR DTA124ES	
J309	1-793-777-12	JACK, PIN 2P (SURROUND BACK,SUB WOOFER)		Q723	8-729-900-63	TRANSISTOR DTA124ES	
		< COIL >		Q724	8-729-281-53	TRANSISTOR 2SC1815-GR	
L883	1-422-009-13	COIL, AIR-CORE		Q751	8-729-119-79	TRANSISTOR 2SC2785-FEK	
L884	1-422-009-13	COIL, AIR-CORE		Q752	8-729-140-84	TRANSISTOR 2SC1841-PAFAEA	
		< TRANSISTOR >		Q753	8-729-140-82	TRANSISTOR 2SA988-PAFAEA	
Q130	8-729-119-79	TRANSISTOR 2SC2785-FEK (DE985)		Q771	8-729-900-63	TRANSISTOR DTA124ES	
Q301	8-729-119-79	TRANSISTOR 2SC2785-FEK		Q801	8-729-026-68	TRANSISTOR 2SD2525(TP)	
Q351	8-729-119-79	TRANSISTOR 2SC2785-FEK		Q881	8-729-119-79	TRANSISTOR 2SC2785-FEK	
Q391	8-729-823-22	TRANSISTOR 2SC3576		Q882	8-729-119-79	TRANSISTOR 2SC2785-FEK	
Q421	8-729-119-76	TRANSISTOR 2SA1175-HFE (DE985)				< RESISTOR >	
Q422	8-729-141-30	TRANSISTOR 2SC3623A-LK (DE985)		R131	1-247-807-31	CARBON 100 5%	1/4W (DE985)
Q425	8-729-140-82	TRANSISTOR 2SA988-PAFAEA (DE985)		R132	1-249-437-11	CARBON 47K 5%	1/4W (DE985)
Q426	8-729-140-82	TRANSISTOR 2SA988-PAFAEA (DE985)		R133	1-247-887-00	CARBON 220K 5%	1/4W (DE985)
Q427	8-729-281-53	TRANSISTOR 2SC1815-GR (DE985)		R134	1-247-887-00	CARBON 220K 5%	1/4W (DE985)
Q441	8-729-823-22	TRANSISTOR 2SC3576		R135	1-249-393-11	CARBON 10 5%	1/4W (DE985)
Q471	8-729-119-76	TRANSISTOR 2SA1175-HFE		R136	1-249-437-11	CARBON 47K 5%	1/4W (DE985)
Q472	8-729-141-30	TRANSISTOR 2SC3623A-LK		R137	1-249-425-11	CARBON 4.7K 5%	1/4W (DE985)
Q475	8-729-140-82	TRANSISTOR 2SA988-PAFAEA		R181	1-247-807-31	CARBON 100 5%	1/4W (DE985)
Q476	8-729-140-82	TRANSISTOR 2SA988-PAFAEA		R182	1-249-437-11	CARBON 47K 5%	1/4W (DE985)
Q477	8-729-281-53	TRANSISTOR 2SC1815-GR		R183	1-247-887-00	CARBON 220K 5%	1/4W (DE985)
Q491	8-729-823-22	TRANSISTOR 2SC3576		R184	1-247-887-00	CARBON 220K 5%	1/4W (DE985)
Q521	8-729-119-76	TRANSISTOR 2SA1175-HFE		R302	1-249-441-11	CARBON 100K 5%	1/4W
Q522	8-729-141-30	TRANSISTOR 2SC3623A-LK		R303	1-249-440-11	CARBON 82K 5%	1/4W
Q525	8-729-140-82	TRANSISTOR 2SA988-PAFAEA		R304	1-249-408-11	CARBON 180 5%	1/4W
Q526	8-729-140-82	TRANSISTOR 2SA988-PAFAEA		R305	1-249-428-11	CARBON 8.2K 5%	1/4W
Q527	8-729-281-53	TRANSISTOR 2SC1815-GR		R306	1-249-441-11	CARBON 100K 5%	1/4W
Q541	8-729-823-22	TRANSISTOR 2SC3576		R307	1-247-807-31	CARBON 100 5%	1/4W
Q571	8-729-119-76	TRANSISTOR 2SA1175-HFE		R308	1-249-441-11	CARBON 100K 5%	1/4W
Q572	8-729-141-30	TRANSISTOR 2SC3623A-LK		R309	1-249-413-11	CARBON 470 5%	1/4W
Q575	8-729-140-82	TRANSISTOR 2SA988-PAFAEA		R311	1-249-417-11	CARBON 1K 5%	1/4W
Q576	8-729-140-82	TRANSISTOR 2SA988-PAFAEA		R312	1-249-437-11	CARBON 47K 5%	1/4W
Q577	8-729-281-53	TRANSISTOR 2SC1815-GR		R313	1-249-417-11	CARBON 1K 5%	1/4W
Q591	8-729-823-22	TRANSISTOR 2SC3576		R314	1-249-417-11	CARBON 1K 5%	1/4W
Q621	8-729-119-76	TRANSISTOR 2SA1175-HFE		R315	1-249-417-11	CARBON 1K 5%	1/4W (DE985)
Q622	8-729-141-30	TRANSISTOR 2SC3623A-LK		R316	1-249-417-11	CARBON 1K 5%	1/4W (DE985)
Q625	8-729-140-82	TRANSISTOR 2SA988-PAFAEA		R317	1-249-437-11	CARBON 47K 5%	1/4W
Q626	8-729-140-82	TRANSISTOR 2SA988-PAFAEA					
Q627	8-729-281-53	TRANSISTOR 2SC1815-GR					

STR-DE885/DE985

MAIN

Ref. No.	Part No.	Description	Remark	Ref. No.	Part No.	Description	Remark
R318	1-249-437-11	CARBON	47K 5% 1/4W (DE985)	R422	1-249-421-11	CARBON	2.2K 5% 1/4W (DE985)
R319	1-249-417-11	CARBON	1K 5% 1/4W	R423	1-249-405-11	CARBON	100 5% 1/4W (DE985)
R320	1-249-437-11	CARBON	47K 5% 1/4W	R424	1-249-414-11	CARBON	560 5% 1/4W (DE985)
R321	1-249-417-11	CARBON	1K 5% 1/4W	R425	1-249-405-11	CARBON	100 5% 1/4W (DE985)
R322	1-249-437-11	CARBON	47K 5% 1/4W	R426	1-247-850-11	CARBON	6.2K 5% 1/4W (DE985)
R323	1-249-417-11	CARBON	1K 5% 1/4W	R427	1-249-425-11	CARBON	4.7K 5% 1/4W (DE985)
R324	1-249-437-11	CARBON	47K 5% 1/4W	R428	1-233-352-41	COMPONENT, ENCAPSULATED 0.22X2 5W	(DE985)
R333	1-249-417-11	CARBON	1K 5% 1/4W	R429	1-249-419-11	CARBON	1.5K 5% 1/4W (DE985)
R336	1-249-437-11	CARBON	47K 5% 1/4W	R430	1-249-441-11	CARBON	100K 5% 1/4W (DE985)
R337	1-249-425-11	CARBON	4.7K 5% 1/4W	R431	1-249-393-11	CARBON	10 5% 1/4W (DE985)
R352	1-249-441-11	CARBON	100K 5% 1/4W	R433	1-249-431-11	CARBON	15K 5% 1/4W (DE985)
R353	1-249-440-11	CARBON	82K 5% 1/4W	R434	1-249-429-11	CARBON	10K 5% 1/4W (DE985)
R354	1-249-408-11	CARBON	180 5% 1/4W	R435	1-249-437-11	CARBON	47K 5% 1/4W (DE985)
R355	1-249-428-11	CARBON	8.2K 5% 1/4W	R436	1-249-425-11	CARBON	4.7K 5% 1/4W (DE985)
R356	1-249-441-11	CARBON	100K 5% 1/4W	R437	1-249-437-11	CARBON	47K 5% 1/4W (DE985)
R357	1-247-807-31	CARBON	100 5% 1/4W	R438	1-249-435-11	CARBON	33K 5% 1/4W (DE985)
R358	1-249-441-11	CARBON	100K 5% 1/4W	R440	1-249-437-11	CARBON	47K 5% 1/4W
R359	1-249-413-11	CARBON	470 5% 1/4W	R441	1-249-437-11	CARBON	47K 5% 1/4W
R361	1-249-417-11	CARBON	1K 5% 1/4W	R443	1-249-429-11	CARBON	10K 5% 1/4W
R362	1-249-437-11	CARBON	47K 5% 1/4W	R444	1-249-417-11	CARBON	1K 5% 1/4W
R363	1-249-417-11	CARBON	1K 5% 1/4W	R445	1-249-441-11	CARBON	100K 5% 1/4W
R364	1-249-417-11	CARBON	1K 5% 1/4W	R446	1-249-425-11	CARBON	4.7K 5% 1/4W (DE985)
R365	1-249-417-11	CARBON	1K 5% 1/4W (DE985)	R451	1-249-417-11	CARBON	1K 5% 1/4W (DE985)
R366	1-249-417-11	CARBON	1K 5% 1/4W (DE985)	R452	1-249-437-11	CARBON	47K 5% 1/4W (DE985)
R367	1-249-437-11	CARBON	47K 5% 1/4W	R453	1-249-437-11	CARBON	47K 5% 1/4W
R368	1-249-437-11	CARBON	47K 5% 1/4W (DE985)	R454	1-249-437-11	CARBON	47K 5% 1/4W
R369	1-249-417-11	CARBON	1K 5% 1/4W	R455	1-249-437-11	CARBON	47K 5% 1/4W
R370	1-249-437-11	CARBON	47K 5% 1/4W	R457	1-249-437-11	CARBON	47K 5% 1/4W
R371	1-249-417-11	CARBON	1K 5% 1/4W	R458	1-249-437-11	CARBON	47K 5% 1/4W
R372	1-249-437-11	CARBON	47K 5% 1/4W	R459	1-249-437-11	CARBON	47K 5% 1/4W
R373	1-249-417-11	CARBON	1K 5% 1/4W	R460	1-249-437-11	CARBON	47K 5% 1/4W
R374	1-249-437-11	CARBON	47K 5% 1/4W	R461	1-249-417-11	CARBON	1K 5% 1/4W
R390	1-249-429-11	CARBON	10K 5% 1/4W	R462	1-249-439-11	CARBON	68K 5% 1/4W
R391	1-249-437-11	CARBON	47K 5% 1/4W	R463	1-249-437-11	CARBON	47K 5% 1/4W
R392	1-249-429-11	CARBON	10K 5% 1/4W	R464	1-249-437-11	CARBON	47K 5% 1/4W
R393	1-249-429-11	CARBON	10K 5% 1/4W	R465	1-249-439-11	CARBON	68K 5% 1/4W
R394	1-249-441-11	CARBON	100K 5% 1/4W	R466	1-249-421-11	CARBON	2.2K 5% 1/4W
R395	1-249-417-11	CARBON	1K 5% 1/4W	R467	1-249-437-11	CARBON	47K 5% 1/4W
R396	1-249-437-11	CARBON	47K 5% 1/4W	R468	1-249-437-11	CARBON	47K 5% 1/4W
R397	1-249-425-11	CARBON	4.7K 5% 1/4W	R469	1-249-437-11	CARBON	47K 5% 1/4W
R398	1-249-437-11	CARBON	47K 5% 1/4W	R470	1-249-437-11	CARBON	47K 5% 1/4W
R400	1-249-433-11	CARBON	22K 5% 1/4W	R471	1-249-440-11	CARBON	82K 5% 1/4W
R401	1-249-417-11	CARBON	1K 5% 1/4W (DE985)				
R402	1-249-437-11	CARBON	47K 5% 1/4W (DE985)				
R411	1-249-417-11	CARBON	1K 5% 1/4W (DE985)				
R412	1-249-439-11	CARBON	68K 5% 1/4W (DE985)				
R415	1-249-439-11	CARBON	68K 5% 1/4W (DE985)				
R416	1-249-421-11	CARBON	2.2K 5% 1/4W (DE985)				
R421	1-249-440-11	CARBON	82K 5% 1/4W (DE985)				

Ref. No.	Part No.	Description	Remark	Ref. No.	Part No.	Description	Remark
R472	1-249-421-11	CARBON	2.2K 5% 1/4W	R543	1-249-429-11	CARBON	10K 5% 1/4W
R473	1-249-405-11	CARBON	100 5% 1/4W	R544	1-249-441-11	CARBON	100K 5% 1/4W
R474	1-249-414-11	CARBON	560 5% 1/4W	R545	1-249-417-11	CARBON	1K 5% 1/4W
R475	1-249-405-11	CARBON	100 5% 1/4W	R546	1-249-425-11	CARBON	4.7K 5% 1/4W
R476	1-247-850-11	CARBON	6.2K 5% 1/4W	R551	1-249-417-11	CARBON	1K 5% 1/4W (DE985)
R477	1-249-425-11	CARBON	4.7K 5% 1/4W	R552	1-249-437-11	CARBON	47K 5% 1/4W (DE985)
R478	1-233-352-41	COMPONENT, ENCAPSULATED 0.22X2 5W		R561	1-249-417-11	CARBON	1K 5% 1/4W
R479	1-249-419-11	CARBON	1.5K 5% 1/4W	R562	1-249-439-11	CARBON	68K 5% 1/4W
R480	1-249-441-11	CARBON	100K 5% 1/4W	R565	1-249-439-11	CARBON	68K 5% 1/4W
R481	1-249-393-11	CARBON	10 5% 1/4W	R566	1-249-421-11	CARBON	2.2K 5% 1/4W
R483	1-249-431-11	CARBON	15K 5% 1/4W	R571	1-249-440-11	CARBON	82K 5% 1/4W
R484	1-249-429-11	CARBON	10K 5% 1/4W	R572	1-249-421-11	CARBON	2.2K 5% 1/4W
R485	1-249-433-11	CARBON	22K 5% 1/4W (DE885)	R573	1-249-405-11	CARBON	100 5% 1/4W
R485	1-249-437-11	CARBON	47K 5% 1/4W (DE985)	R574	1-249-414-11	CARBON	560 5% 1/4W
R486	1-249-425-11	CARBON	4.7K 5% 1/4W (DE985)	R575	1-249-405-11	CARBON	100 5% 1/4W
R486	1-249-433-11	CARBON	22K 5% 1/4W (DE885)	R576	1-247-850-11	CARBON	6.2K 5% 1/4W
R487	1-249-437-11	CARBON	47K 5% 1/4W	R577	1-249-425-11	CARBON	4.7K 5% 1/4W
R488	1-249-435-11	CARBON	33K 5% 1/4W	R578	1-233-352-41	COMPONENT, ENCAPSULATED 0.22X2 5W	
R490	1-249-433-11	CARBON	22K 5% 1/4W	R579	1-249-419-11	CARBON	1.5K 5% 1/4W
R491	1-249-437-11	CARBON	47K 5% 1/4W	R580	1-249-441-11	CARBON	100K 5% 1/4W
R493	1-249-429-11	CARBON	10K 5% 1/4W	R581	1-249-393-11	CARBON	10 5% 1/4W
R494	1-249-441-11	CARBON	100K 5% 1/4W	R583	1-249-431-11	CARBON	15K 5% 1/4W
R495	1-249-417-11	CARBON	1K 5% 1/4W	R584	1-249-429-11	CARBON	10K 5% 1/4W
R496	1-249-425-11	CARBON	4.7K 5% 1/4W	R585	1-249-433-11	CARBON	22K 5% 1/4W (DE885)
R500	1-249-433-11	CARBON	22K 5% 1/4W	R585	1-249-437-11	CARBON	47K 5% 1/4W (DE985)
R501	1-249-417-11	CARBON	1K 5% 1/4W (DE985)	R586	1-249-425-11	CARBON	4.7K 5% 1/4W (DE985)
R502	1-249-437-11	CARBON	47K 5% 1/4W (DE985)	R586	1-249-433-11	CARBON	22K 5% 1/4W (DE885)
R511	1-249-417-11	CARBON	1K 5% 1/4W	R587	1-249-437-11	CARBON	47K 5% 1/4W
R512	1-249-439-11	CARBON	68K 5% 1/4W	R588	1-249-435-11	CARBON	33K 5% 1/4W
R515	1-249-439-11	CARBON	68K 5% 1/4W	R593	1-249-429-11	CARBON	10K 5% 1/4W
R516	1-249-421-11	CARBON	2.2K 5% 1/4W	R594	1-249-441-11	CARBON	100K 5% 1/4W
R521	1-249-440-11	CARBON	82K 5% 1/4W	R595	1-249-417-11	CARBON	1K 5% 1/4W
R522	1-249-421-11	CARBON	2.2K 5% 1/4W	R596	1-249-425-11	CARBON	4.7K 5% 1/4W
R523	1-249-405-11	CARBON	100 5% 1/4W	R600	1-249-433-11	CARBON	22K 5% 1/4W
R524	1-249-414-11	CARBON	560 5% 1/4W	R601	1-249-417-11	CARBON	1K 5% 1/4W (DE985)
R525	1-249-405-11	CARBON	100 5% 1/4W	R602	1-249-437-11	CARBON	47K 5% 1/4W (DE985)
R526	1-247-850-11	CARBON	6.2K 5% 1/4W	R611	1-249-417-11	CARBON	1K 5% 1/4W
R527	1-249-425-11	CARBON	4.7K 5% 1/4W	R612	1-249-439-11	CARBON	68K 5% 1/4W
R528	1-233-352-41	COMPONENT, ENCAPSULATED 0.22X2 5W		R615	1-249-439-11	CARBON	68K 5% 1/4W
R529	1-249-419-11	CARBON	1.5K 5% 1/4W	R616	1-249-421-11	CARBON	2.2K 5% 1/4W
R530	1-249-441-11	CARBON	100K 5% 1/4W	R621	1-249-440-11	CARBON	82K 5% 1/4W
R531	1-249-393-11	CARBON	10 5% 1/4W	R622	1-249-421-11	CARBON	2.2K 5% 1/4W
R533	1-249-431-11	CARBON	15K 5% 1/4W	R623	1-249-405-11	CARBON	100 5% 1/4W
R534	1-249-429-11	CARBON	10K 5% 1/4W	R624	1-249-414-11	CARBON	560 5% 1/4W
R535	1-249-433-11	CARBON	22K 5% 1/4W (DE885)	R625	1-249-405-11	CARBON	100 5% 1/4W
R535	1-249-437-11	CARBON	47K 5% 1/4W (DE985)	R626	1-247-850-11	CARBON	6.2K 5% 1/4W
R536	1-249-425-11	CARBON	4.7K 5% 1/4W (DE985)	R627	1-249-425-11	CARBON	4.7K 5% 1/4W
R536	1-249-433-11	CARBON	22K 5% 1/4W (DE885)	R628	1-233-352-41	COMPONENT, ENCAPSULATED 0.22X2 5W	
R537	1-249-437-11	CARBON	47K 5% 1/4W	R629	1-249-419-11	CARBON	1.5K 5% 1/4W
R538	1-249-435-11	CARBON	33K 5% 1/4W	R630	1-249-441-11	CARBON	100K 5% 1/4W
				R631	1-249-393-11	CARBON	10 5% 1/4W

STR-DE885/DE985

MAIN **OPT3**

Ref. No.	Part No.	Description	Remark
R632	1-249-435-11	CARBON	33K 5% 1/4W
R633	1-249-431-11	CARBON	15K 5% 1/4W
R634	1-249-429-11	CARBON	10K 5% 1/4W
R635	1-249-433-11	CARBON	22K 5% 1/4W (DE885)
R635	1-249-437-11	CARBON	47K 5% 1/4W (DE985)
R636	1-249-425-11	CARBON	4.7K 5% 1/4W (DE985)
R636	1-249-433-11	CARBON	22K 5% 1/4W (DE885)
R637	1-249-437-11	CARBON	47K 5% 1/4W
R638	1-249-437-11	CARBON	47K 5% 1/4W
R639	1-249-417-11	CARBON	1K 5% 1/4W
R643	1-249-429-11	CARBON	10K 5% 1/4W
R644	1-249-441-11	CARBON	100K 5% 1/4W
R645	1-249-417-11	CARBON	1K 5% 1/4W
R646	1-249-425-11	CARBON	4.7K 5% 1/4W
R651	1-249-417-11	CARBON	1K 5% 1/4W (DE985)
R652	1-249-437-11	CARBON	47K 5% 1/4W (DE985)
R654	1-249-417-11	CARBON	1K 5% 1/4W (DE985)
R656	1-249-417-11	CARBON	1K 5% 1/4W
R658	1-249-421-11	CARBON	2.2K 5% 1/4W
R659	1-249-417-11	CARBON	1K 5% 1/4W
R661	1-249-417-11	CARBON	1K 5% 1/4W
R662	1-249-439-11	CARBON	68K 5% 1/4W
R665	1-249-439-11	CARBON	68K 5% 1/4W
R666	1-249-421-11	CARBON	2.2K 5% 1/4W
R671	1-249-440-11	CARBON	82K 5% 1/4W
R672	1-249-421-11	CARBON	2.2K 5% 1/4W
R673	1-249-405-11	CARBON	100 5% 1/4W
R674	1-249-414-11	CARBON	560 5% 1/4W
R675	1-249-405-11	CARBON	100 5% 1/4W
R676	1-247-850-11	CARBON	6.2K 5% 1/4W
R677	1-249-425-11	CARBON	4.7K 5% 1/4W
R678	1-233-352-41	COMPONENT, ENCAPSULATED 0.22X2 5W	
R679	1-249-419-11	CARBON	1.5K 5% 1/4W
R680	1-249-441-11	CARBON	100K 5% 1/4W
R681	1-249-393-11	CARBON	10 5% 1/4W
R682	1-249-435-11	CARBON	33K 5% 1/4W
R683	1-249-431-11	CARBON	15K 5% 1/4W
R684	1-249-429-11	CARBON	10K 5% 1/4W
R685	1-249-433-11	CARBON	22K 5% 1/4W (DE885)
R685	1-249-437-11	CARBON	47K 5% 1/4W (DE985)
R686	1-249-425-11	CARBON	4.7K 5% 1/4W (DE985)
R686	1-249-433-11	CARBON	22K 5% 1/4W (DE885)
R687	1-249-437-11	CARBON	47K 5% 1/4W
R693	1-249-429-11	CARBON	10K 5% 1/4W
R694	1-249-441-11	CARBON	100K 5% 1/4W
R695	1-249-417-11	CARBON	1K 5% 1/4W
R696	1-249-425-11	CARBON	4.7K 5% 1/4W
R721	1-249-437-11	CARBON	47K 5% 1/4W
R731	1-249-429-11	CARBON	10K 5% 1/4W

Ref. No.	Part No.	Description	Remark
R732	1-249-429-11	CARBON	10K 5% 1/4W
R733	1-249-435-11	CARBON	33K 5% 1/4W (DE885)
R733	1-249-437-11	CARBON	47K 5% 1/4W (DE985)
R734	1-247-887-00	CARBON	220K 5% 1/4W
R735	1-249-429-11	CARBON	10K 5% 1/4W
R736	1-247-895-00	CARBON	470K 5% 1/4W
R737	1-249-429-11	CARBON	10K 5% 1/4W
△ R738	1-216-453-00	METAL OXIDE	270 5% 2W F
△ R739	1-215-886-11	METAL OXIDE	100 5% 2W F (DE985)
△ R739	1-216-453-00	METAL OXIDE	270 5% 2W F (DE885)
R741	1-249-381-11	CARBON	1 5% 1/4W
R742	1-249-381-11	CARBON	1 5% 1/4W
R743	1-249-405-11	CARBON	100 5% 1/4W
R744	1-249-405-11	CARBON	100 5% 1/4W
R745	1-249-405-11	CARBON	100 5% 1/4W
R750	1-249-429-11	CARBON	10K 5% 1/4W
R751	1-249-427-11	CARBON	6.8K 5% 1/4W
R752	1-249-437-11	CARBON	47K 5% 1/4W
R753	1-249-417-11	CARBON	1K 5% 1/4W
R771	1-249-429-11	CARBON	10K 5% 1/4W
R772	1-249-441-11	CARBON	100K 5% 1/4W
R802	1-249-401-11	CARBON	47 5% 1/4W
R803	1-249-427-11	CARBON	6.8K 5% 1/4W
R804	1-249-433-11	CARBON	22K 5% 1/4W
R834	1-249-393-11	CARBON	10 5% 1/4W
R835	1-249-393-11	CARBON	10 5% 1/4W
R838	1-249-437-11	CARBON	47K 5% 1/4W
R839	1-249-425-11	CARBON	4.7K 5% 1/4W
R840	1-249-415-11	CARBON	680 5% 1/4W
R841	1-249-415-11	CARBON	680 5% 1/4W
R842	1-249-425-11	CARBON	4.7K 5% 1/4W
R843	1-249-437-11	CARBON	47K 5% 1/4W
R881	1-249-393-11	CARBON	10 5% 1/4W
R882	1-249-393-11	CARBON	10 5% 1/4W
R883	1-249-393-11	CARBON	10 5% 1/4W
R884	1-249-393-11	CARBON	10 5% 1/4W
< RELAY >			
RY130	1-515-614-11	RELAY (DE985)	
RY351	1-515-793-11	RELAY	
RY601	1-515-793-11	RELAY	
RY881	1-755-170-11	RELAY (12V)	
RY882	1-755-170-11	RELAY (12V)	
< TERMINAL >			
TM603	1-537-925-62	TERMINAL BOARD (SPEAKERS FRONT B)	

	1-684-382-11	OPT3 BOARD	

< CAPACITOR >			
C703	1-164-159-11	CERAMIC	0.1uF 50V

The components identified by mark △ or dotted line with mark △ are critical for safety. Replace only with part number specified.	Les composants identifiés par une marque △ sont critiques pour la sécurité. Ne les remplacer que par une pièce portant le numéro spécifié.
--	--

OPT3

POWER

S-VIDEO

Ref. No.	Part No.	Description	Remark	Ref. No.	Part No.	Description	Remark
		< CONNECTOR >		C221	1-128-817-11	CERAMIC 470PF 5%	50V (DE985)
CNP703	1-779-978-11	PIN, CONNECTOR 3P		C222	1-126-947-11	ELECT 47uF 20%	16V (DE985)
		< IC >		C223	1-164-159-11	CERAMIC 0.1uF	50V (DE985)
IC702	6-600-057-01	IC TORX141PL (VIDEO 3 DIGITAL INPUT)		C224	1-164-159-11	CERAMIC 0.1uF	50V
		< COIL >		C225	1-128-817-11	CERAMIC 470PF 5%	50V
L702	1-410-517-11	INDUCTOR 47uH		C226	1-126-964-11	ELECT 10uF 20%	50V
		< RESISTOR >		C229	1-128-805-11	CERAMIC 47PF 5%	50V
R702	1-247-807-31	CARBON 100 5% 1/4W		C235	1-126-947-11	ELECT 47uF 20%	16V
*****				C242	1-128-805-11	CERAMIC 47PF 5%	50V
	1-684-379-11	POWER BOARD		C245	1-164-159-11	CERAMIC 0.1uF	50V
		*****		C246	1-126-964-11	ELECT 10uF 20%	50V
		< CAPACITOR >		C248	1-128-805-11	CERAMIC 47PF 5%	50V
C142	1-164-159-11	CERAMIC 0.1uF	50V	C249	1-128-805-11	CERAMIC 47PF 5%	50V
C151	1-164-159-11	CERAMIC 0.1uF	50V			< CONNECTOR >	
		< CONNECTOR >		* CNP205	1-564-720-11	PIN, CONNECTOR (SMALL TYPE) 4P	
* CNP103	1-565-295-11	PLUG, CONNECTOR 4P		CNS202	1-568-440-11	SOCKET, CONNECTOR 17P	
		< RESISTOR >		CNS203	1-784-922-11	PIN, CONNECTOR 5P	
R145	1-249-425-11	CARBON 4.7K 5% 1/4W		CNS204	1-568-439-11	SOCKET, CONNECTOR 7P (DE885)	
R146	1-249-429-11	CARBON 10K 5% 1/4W		CNS204	1-568-440-11	SOCKET, CONNECTOR 17P (DE985)	
R147	1-249-433-11	CARBON 22K 5% 1/4W	(DE985)			< DIODE >	
		< SWITCH >		D201	8-719-911-19	DIODE 1SS119-25	
S145	1-762-875-21	SWITCH, KEYBOARD (DISPLAY)		D202	8-719-911-19	DIODE 1SS119-25	
S146	1-762-875-21	SWITCH, KEYBOARD (DIMMER)		D203	8-719-109-89	DIODE RD5.6ES-B2	
S147	1-762-875-21	SWITCH, KEYBOARD (ON SCREEN) (DE985)				< IC >	
S151	1-762-875-21	SWITCH, KEYBOARD (SPEAKERS A/B)		IC201	6-701-890-01	IC NJM2595D	
S161	1-762-875-21	SWITCH, KEYBOARD (I/⏻)		IC202	6-701-890-01	IC NJM2595D	
*****				IC203	8-759-666-33	IC NJM2145D (DE985)	
	A-4728-142-A	S-VIDEO BOARD, COMPLETE (DE985)				< CONNECTOR >	
	A-4728-225-A	S-VIDEO BOARD, COMPLETE (DE885)		J201	1-537-943-11	CONNECTOR (DIN) 1P (MONITOR S-VIDEO OUT)	
		*****		J202	1-794-937-11	CONNECTOR (DIN) 2P (TV/SAT S-VIDEO IN, DVD/LD S-VIDEO IN)	
		< CAPACITOR >		J203	1-794-937-11	CONNECTOR (DIN) 2P (VIDEO 1 S-VIDEO OUT/IN)	
C202	1-164-159-11	CERAMIC 0.1uF	50V			< JACK >	
C203	1-164-159-11	CERAMIC 0.1uF	50V	J204	1-563-330-11	JACK (CONTROL A1 II)	
C204	1-126-947-11	ELECT 47uF 20%	16V	J205	1-563-330-11	JACK (VIDEO 1 CTRL S OUT) (DE985)	
C205	1-164-159-11	CERAMIC 0.1uF	50V	J206	1-563-330-11	JACK (DVD/LD CTRL S OUT) (DE985)	
C206	1-164-159-11	CERAMIC 0.1uF	50V	J207	1-563-330-11	JACK (TV/SAT CTRL S STATUS IN) (DE985)	
		< TRANSISTOR >		J208	1-563-330-11	JACK (MONITOR CTRL S IN) (DE985)	
C207	1-128-817-11	CERAMIC 470PF 5%	50V			< RESISTOR >	
C209	1-128-805-11	CERAMIC 47PF 5%	50V	Q201	8-729-422-57	TRANSISTOR UN4111 (DE985)	
C210	1-126-964-11	ELECT 10uF 20%	50V	Q202	8-729-116-02	TRANSISTOR BA1A4M-TP (DE985)	
C213	1-164-159-11	CERAMIC 0.1uF	50V			< RESISTOR >	
C214	1-164-159-11	CERAMIC 0.1uF	50V	R201	1-247-804-11	CARBON 75 5%	1/4W
		< JACK >		R202	1-247-804-11	CARBON 75 5%	1/4W
C217	1-128-817-11	CERAMIC 470PF 5%	50V	R207	1-247-804-11	CARBON 75 5%	1/4W
C218	1-126-964-11	ELECT 10uF 20%	50V	R215	1-249-417-11	CARBON 1K 5%	1/4W (DE985)
C219	1-164-159-11	CERAMIC 0.1uF	50V	R217	1-249-417-11	CARBON 1K 5%	1/4W (DE985)
C220	1-128-817-11	CERAMIC 470PF 5%	50V (DE985)				

STR-DE885/DE985

S-VIDEO SPEAKER STANDBY

Ref. No.	Part No.	Description	Remark
R218	1-249-425-11	CARBON	4.7K 5% 1/4W (DE985)
R219	1-249-427-11	CARBON	6.8K 5% 1/4W (DE985)
R220	1-249-427-11	CARBON	6.8K 5% 1/4W (DE985)
R222	1-247-804-11	CARBON	75 5% 1/4W
R223	1-247-804-11	CARBON	75 5% 1/4W
R224	1-247-804-11	CARBON	75 5% 1/4W
R225	1-247-804-11	CARBON	75 5% 1/4W
R226	1-247-804-11	CARBON	75 5% 1/4W
R227	1-247-804-11	CARBON	75 5% 1/4W
R229	1-247-804-11	CARBON	75 5% 1/4W
R230	1-247-804-11	CARBON	75 5% 1/4W
R231	1-247-804-11	CARBON	75 5% 1/4W
R232	1-249-429-11	CARBON	10K 5% 1/4W (DE985)
R234	1-249-429-11	CARBON	10K 5% 1/4W (DE985)
R235	1-249-429-11	CARBON	10K 5% 1/4W (DE985)
R236	1-249-417-11	CARBON	1K 5% 1/4W (DE985)
R238	1-249-417-11	CARBON	1K 5% 1/4W (DE985)

	1-684-377-11	SPEAKER BOARD	*****
< CAPACITOR >			
C430	1-128-809-11	CERAMIC	100PF 5% 50V
C480	1-128-809-11	CERAMIC	100PF 5% 50V
C530	1-128-809-11	CERAMIC	100PF 5% 50V
C580	1-128-809-11	CERAMIC	100PF 5% 50V (DE985)
C630	1-128-809-11	CERAMIC	100PF 5% 50V
C680	1-128-809-11	CERAMIC	100PF 5% 50V
< CONNECTOR >			
CNP484	1-564-721-11	PIN, CONNECTOR (SMALL TYPE) 5P	
< DIODE >			
D481	8-719-911-19	DIODE 1SS119-25	
D581	8-719-911-19	DIODE 1SS119-25	
D681	8-719-911-19	DIODE 1SS119-25	
< COIL >			
L401	1-422-009-13	COIL, AIR-CORE	
L451	1-422-009-13	COIL, AIR-CORE	
L501	1-422-009-13	COIL, AIR-CORE	
L551	1-422-009-13	COIL, AIR-CORE (DE985)	
L601	1-422-009-13	COIL, AIR-CORE	
L651	1-422-009-13	COIL, AIR-CORE	
< TRANSISTOR >			
Q481	8-729-119-79	TRANSISTOR 2SC2785-FEK	
Q581	8-729-119-79	TRANSISTOR 2SC2785-FEK	
Q681	8-729-119-79	TRANSISTOR 2SC2785-FEK	

Ref. No.	Part No.	Description	Remark
< RESISTOR >			
R233	1-249-389-11	CARBON	4.7 5% 1/4W
R433	1-249-389-11	CARBON	4.7 5% 1/4W
R481	1-249-393-11	CARBON	10 5% 1/4W
R483	1-249-389-11	CARBON	4.7 5% 1/4W
R487	1-249-437-11	CARBON	47K 5% 1/4W
R489	1-249-425-11	CARBON	4.7K 5% 1/4W
R533	1-249-389-11	CARBON	4.7 5% 1/4W
R581	1-249-393-11	CARBON	10 5% 1/4W
R583	1-249-389-11	CARBON	4.7 5% 1/4W (DE985)
R587	1-249-437-11	CARBON	47K 5% 1/4W
R589	1-249-425-11	CARBON	4.7K 5% 1/4W
R633	1-249-389-11	CARBON	4.7 5% 1/4W
R681	1-249-393-11	CARBON	10 5% 1/4W
R687	1-249-437-11	CARBON	47K 5% 1/4W
R689	1-249-425-11	CARBON	4.7K 5% 1/4W
< RELAY >			
RY401	1-755-170-11	RELAY (12V)	
RY501	1-755-170-11	RELAY (12V)	
RY601	1-755-170-11	RELAY (12V)	
< TERMINAL >			
TM601	1-694-840-11	TERMINAL BOARD (SPEAKERS FRONT A R/L, SURROUND R)	
TM602	1-694-840-11	TERMINAL BOARD (SPEAKERS SURROUND L, CENTER, SURR BACK) (DE985)	
TM602	1-694-842-11	TERMINAL BOARD (SPEAKERS SURROUND L, CENTER) (DE885)	

A-4728-148-A	STANDBY BOARD, COMPLETE (DE985)		
A-4728-217-A	STANDBY BOARD, COMPLETE (DE885:US,CND,MX)		
A-4728-275-A	STANDBY BOARD, COMPLETE (DE885:E23)		

1-533-293-11	HOLDER, FUSE		
< CAPACITOR >			
C851	1-126-936-11	ELECT	3300uF 20% 16V
C852	1-164-159-11	CERAMIC	0.1uF 50V
C853	1-164-159-11	CERAMIC	0.1uF 50V
C861	1-164-159-11	CERAMIC	0.1uF 50V
C862	1-164-159-11	CERAMIC	0.1uF 50V
C863	1-126-941-11	ELECT	470uF 20% 25V
C864	1-126-943-11	ELECT	2200uF 20% 25V
C871	1-126-968-11	ELECT	100uF 20% 50V
C872	1-126-968-11	ELECT	100uF 20% 50V
C901	1-164-159-11	CERAMIC	0.1uF 50V
C902	1-164-159-11	CERAMIC	0.1uF 50V
C903	1-164-159-11	CERAMIC	0.1uF 50V
C921	1-164-159-11	CERAMIC	0.1uF 50V
C922	1-164-159-11	CERAMIC	0.1uF 50V
C923	1-126-959-11	ELECT	0.47uF 20% 50V
C924	1-126-936-11	ELECT	3300uF 20% 16V
C925	1-126-767-11	ELECT	1000uF 20% 16V
C926	1-164-159-11	CERAMIC	0.1uF 50V

STANDBY

VIDEO

Ref. No.	Part No.	Description	Remark	Ref. No.	Part No.	Description	Remark
		< CONNECTOR >				< TRANSFORMER >	
CNP813	1-766-204-11	PLUG, CONNECTOR 11P		△ T902	1-437-312-11	TRANSFORMER, POWER (US,CND,MX)	
CNP814	1-779-799-11	PIN, CONNECTOR 8P		△ T902	1-437-314-11	TRANSFORMER, POWER (E23)	
CNP815	1-691-767-11	PLUG (MICRO CONNECTOR) 5P		*****			
CNP901	1-564-321-00	PIN, CONNECTOR (3.96mm PITCH) 2P		A-4728-150-A	VIDEO BOARD, COMPLETE (DE985)		
* CNP905	1-565-792-11	PIN, CONNECTOR (3.96mm PITCH) 2P		A-4728-218-A	VIDEO BOARD, COMPLETE (DE885)		
		< DIODE >		*****			
D851	8-719-024-99	DIODE 11ES2-NTA2B		7-685-871-01	SCREW +BVTT 3X6 (S)		
D852	8-719-024-99	DIODE 11ES2-NTA2B			< CAPACITOR >		
D853	8-719-024-99	DIODE 11ES2-NTA2B		C095	1-164-159-11	CERAMIC 0.1uF	50V (DE985)
D854	8-719-024-99	DIODE 11ES2-NTA2B		C096	1-164-159-11	CERAMIC 0.1uF	50V (DE985)
D861	8-719-024-99	DIODE 11ES2-NTA2B		C098	1-128-825-11	CERAMIC 0.0022uF 5%	50V (DE985)
D862	8-719-024-99	DIODE 11ES2-NTA2B		C230	1-128-805-11	CERAMIC 47PF 5%	50V (DE985)
D863	8-719-024-99	DIODE 11ES2-NTA2B		C231	1-126-947-11	ELECT 47uF 20%	16V
D864	8-719-024-99	DIODE 11ES2-NTA2B		C232	1-164-159-11	CERAMIC 0.1uF	50V
D871	8-719-024-99	DIODE 11ES2-NTA2B		C233	1-164-159-11	CERAMIC 0.1uF	50V
D872	8-719-024-99	DIODE 11ES2-NTA2B		C234	1-126-947-11	ELECT 47uF 20%	16V
D911	8-719-911-19	DIODE 1SS119-25		C250	1-126-964-11	ELECT 10uF 20%	50V
D921	8-719-043-76	DIODE AK04V0		C251	1-128-801-11	CERAMIC 22PF 5%	50V (DE985)
D922	8-719-043-76	DIODE AK04V0		C252	1-162-198-31	CERAMIC 8.2PF 10%	50V (DE985)
D923	8-719-043-76	DIODE AK04V0		C254	1-104-656-11	ELECT 2200uF 20%	6.3V (DE985)
D924	8-719-043-76	DIODE AK04V0		C255	1-164-159-11	CERAMIC 0.1uF	50V (DE985)
D925	8-719-911-19	DIODE 1SS119-25		C256	1-128-803-11	CERAMIC 33PF 5%	50V (DE985)
D926	8-719-911-19	DIODE 1SS119-25		C257	1-162-199-31	CERAMIC 10PF 5%	50V (DE985)
D927	8-719-024-99	DIODE 11ES2-NTA2B		C258	1-164-159-11	CERAMIC 0.1uF	50V (DE985)
		< EARTH TERMINAL >		C259	1-128-809-11	CERAMIC 100PF 5%	50V (DE985)
* ETP901	1-537-738-21	TERMINAL, EARTH		C260	1-126-964-11	ELECT 10uF 20%	50V (DE985)
* ETP902	1-537-738-21	TERMINAL, EARTH		C261	1-126-964-11	ELECT 10uF 20%	50V (DE985)
		< AC OUTLET >		C262	1-126-960-11	ELECT 1uF 20%	50V (DE985)
△ J911	1-251-718-11	OUTLET (2 GANG), AC (AC OUTLET) (US,CND)		C263	1-126-935-11	ELECT 470uF 20%	10V (DE985)
△ J911	1-785-834-11	OUTLET (1P) (AC OUTLET) (E23,MX)		C264	1-126-935-11	ELECT 470uF 20%	10V (DE985)
		< TRANSISTOR >		C265	1-126-964-11	ELECT 10uF 20%	50V (DE985)
Q911	8-729-119-79	TRANSISTOR 2SC2785-FEK		C266	1-126-964-11	ELECT 10uF 20%	50V (DE985)
Q912	8-729-119-79	TRANSISTOR 2SC2785-FEK		C267	1-126-964-11	ELECT 10uF 20%	50V (DE985)
Q913	8-729-140-93	TRANSISTOR 2SB733-34		C268	1-126-964-11	ELECT 10uF 20%	50V (DE985)
Q921	8-729-119-79	TRANSISTOR 2SC2785-FEK		C269	1-164-159-11	CERAMIC 0.1uF	50V (DE985)
		< RESISTOR >					
△ R851	1-240-877-11	FUSIBLE 0.15 5%	1/2W F				
△ R861	1-240-877-11	FUSIBLE 0.15 5%	1/2W F				
△ R862	1-240-877-11	FUSIBLE 0.15 5%	1/2W F				
△ R871	1-240-877-11	FUSIBLE 0.15 5%	1/2W F				
△ R901	1-219-237-11	SOLID 3.3M 20%	1/2W F (US,CND,MX)				
R912	1-249-437-11	CARBON 47K 5%	1/4W				
R913	1-249-425-11	CARBON 4.7K 5%	1/4W				
R921	1-249-437-11	CARBON 47K 5%	1/4W				
R922	1-249-433-11	CARBON 22K 5%	1/4W				
R923	1-249-429-11	CARBON 10K 5%	1/4W				
R924	1-249-421-11	CARBON 2.2K 5%	1/4W				
		< RELAY >					
RY911	1-755-439-11	RELAY					

The components identified by mark △ or dotted line with mark △ are critical for safety. Replace only with part number specified.

Les composants identifiés par une marque △ sont critiques pour la sécurité. Ne les remplacer que par une pièce portant le numéro spécifié.

STR-DE885/DE985

VIDEO **VIDEO3**

Ref. No.	Part No.	Description	Remark
C270	1-126-947-11	ELECT	47uF 20% 16V (DE985)
C271	1-164-159-11	CERAMIC	0.1uF
C272	1-126-947-11	ELECT	47uF 20% 16V
C275	1-126-964-11	ELECT	10uF 20% 50V
C280	1-164-159-11	CERAMIC	0.1uF 50V
C281	1-126-947-11	ELECT	47uF 20% 16V
C282	1-128-805-11	CERAMIC	47PF 5% 50V
C283	1-128-825-11	CERAMIC	0.0022uF 5% 50V (DE985)
C284	1-126-964-11	ELECT	10uF 20% 50V
C285	1-128-825-11	CERAMIC	0.0022uF 5% 50V (DE985)
C286	1-126-964-11	ELECT	10uF 20% 50V
C287	1-128-805-11	CERAMIC	47PF 5% 50V (DE985)
C288	1-128-805-11	CERAMIC	47PF 5% 50V (DE985)
C289	1-128-805-11	CERAMIC	47PF 5% 50V
C291	1-126-964-11	ELECT	10uF 20% 50V
C292	1-128-805-11	CERAMIC	47PF 5% 50V (DE985)
C293	1-128-805-11	CERAMIC	47PF 5% 50V
C294	1-128-805-11	CERAMIC	47PF 5% 50V (DE985)
< CONNECTOR >			
* CNP207	1-564-719-11	PIN, CONNECTOR (SMALL TYPE) 3P	
CNP253	1-784-921-11	PIN, CONNECTOR 4P (DE985)	
CNS201	1-568-440-11	SOCKET, CONNECTOR 17P	
< TRIMMER >			
CT251	1-141-442-91	CAP, CERAMIC TRIMMER 20PF (DE985)	
CT252	1-141-442-91	CAP, CERAMIC TRIMMER 20PF (DE985)	
< DIODE >			
D251	8-719-911-19	DIODE 1SS119-25 (DE985)	
D252	8-719-911-19	DIODE 1SS119-25	
D253	8-719-911-19	DIODE 1SS119-25	
< FILTER >			
FB251	1-416-300-21	FILTER, NOISE (DE985)	
FB252	1-416-300-21	FILTER, NOISE (DE985)	
< IC >			
IC211	8-759-039-69	IC uPC7805AHF	
IC212	8-759-701-65	IC NJM79M05FA	
IC251	6-701-890-01	IC NJM2595D	
IC252	6-700-367-01	IC MB90089PF-G-238-BND (DE985)	
IC253	8-759-666-34	IC BA7622 (DE985)	
< JACK >			
J251	1-695-317-11	JACK, PIN 2P (TV/SAT VIDEO IN, DVD/LD VIDEO IN)	
J252	1-695-317-11	JACK, PIN 2P (VIDEO 2 VIDEO OUT/IN)	
J253	1-770-337-11	JACK, PIN 3P (VIDEO 1 VIDEO OUT/IN, MONITOR VIDEO OUT)	

Ref. No.	Part No.	Description	Remark
		< COIL >	
L251	1-410-973-11	INDUCTOR	22uH (DE985)
< TRANSISTOR >			
Q203	8-729-119-79	TRANSISTOR 2SC2785-FEK (DE985)	
Q204	8-729-119-79	TRANSISTOR 2SC2785-FEK (DE985)	
< RESISTOR >			
R244	1-249-417-11	CARBON	1K 5% 1/4W (DE985)
R245	1-249-417-11	CARBON	1K 5% 1/4W (DE985)
R246	1-249-417-11	CARBON	1K 5% 1/4W (DE985)
R247	1-249-417-11	CARBON	1K 5% 1/4W (DE985)
R248	1-249-425-11	CARBON	4.7K 5% 1/4W (DE985)
R250	1-249-410-11	CARBON	270 5% 1/4W (DE985)
R257	1-249-424-11	CARBON	3.9K 5% 1/4W (DE985)
R258	1-249-437-11	CARBON	47K 5% 1/4W (DE985)
R259	1-249-437-11	CARBON	47K 5% 1/4W (DE985)
R260	1-249-437-11	CARBON	47K 5% 1/4W (DE985)
R261	1-249-418-11	CARBON	1.2K 5% 1/4W (DE985)
R262	1-249-437-11	CARBON	47K 5% 1/4W (DE985)
R263	1-249-393-11	CARBON	10 5% 1/4W (DE985)
R264	1-249-393-11	CARBON	10 5% 1/4W (DE985)
R271	1-247-804-11	CARBON	75 5% 1/4W
R272	1-247-804-11	CARBON	75 5% 1/4W
R273	1-247-804-11	CARBON	75 5% 1/4W
R274	1-247-804-11	CARBON	75 5% 1/4W
R275	1-247-804-11	CARBON	75 5% 1/4W
R276	1-247-804-11	CARBON	75 5% 1/4W
R277	1-247-804-11	CARBON	75 5% 1/4W
R278	1-247-804-11	CARBON	75 5% 1/4W
< VIBRATOR >			
X251	1-781-821-21	VIBRATOR, CRYSTAL (14.31818MHz) (DE985)	

	1-684-370-11	VIDEO3 BOARD (DE985)	
	1-684-383-11	VIDEO3 BOARD (DE885)	

< CAPACITOR >			
C099	1-127-880-11	CERAMIC	0.022uF 10% 50V
C200	1-127-880-11	CERAMIC	0.022uF 10% 50V
< CONNECTOR >			
CN299	1-784-923-11	PIN, CONNECTOR 7P	

Ref. No.	Part No.	Description	Remark	Ref. No.	Part No.	Description	Remark
		< JACK >				ACCESSORIES *****	
J298	1-815-431-11	JACK, PIN 3P (VIDEO 3 INPUT VIDEO/AUDIO)			1-477-123-11	COMMANDER, STANDARD (RM-PP411) (DE885)	
		< S TERMINAL >			1-477-124-11	COMMANDER, STANDARD (RM-PG411) (DE985)	
J299	1-784-808-11	TERMINAL, S (VIDEO 3 INPUT S-VIDEO) (DE985)		△	1-501-374-11	ANTENNA, LOOP (AM)	
		< RESISTOR >			1-569-008-21	ADAPTOR, CONVERSION 2P (E23)	
R298	1-249-417-11	CARBON 1K 5% 1/4W			1-777-172-11	CORD, CONNECTION (MONAURAL MINI-PLUG) (DE985)	
R299	1-249-417-11	CARBON 1K 5% 1/4W			1-790-938-11	CORD, AVC CONNECTION (AUDIO/VIDEO/CONTROL S) (DE985)	

		MISCELLANEOUS *****			1-793-184-21	CONNECTOR (F TYPE ADAPTOR) (FM ANTENNA)	
61	1-773-304-11	WIRE (FLAT TYPE) (29 CORE) (L=350mm)			3-071-119-01	COVER, BATTERY (for RM-PG411/PP411)	
102	1-773-036-11	WIRE (FLAT TYPE) (17 CORE)			4-238-488-11	MANUAL, INSTRUCTION (ENGLISH) (US,CND)	
104	1-769-876-11	WIRE (FLAT TYPE) (7 CORE) (DE885)			4-238-488-21	MANUAL, INSTRUCTION (FRENCH) (CND)	
104	1-773-036-11	WIRE (FLAT TYPE) (17 CORE) (DE985)			4-238-488-31	MANUAL, INSTRUCTION (ENGLISH,FRENCH, TRADITIONAL CHINESE) (E23)	
△ 109	1-769-744-11	CORD, POWER (E23)			4-238-488-41	MANUAL, INSTRUCTION (SPANISH) (E23,MX)	
△ 109	1-783-532-11	CORD, POWER (US,CND,MX)					
111	1-769-937-11	WIRE (FLAT TYPE) (11 CORE)					
△ F901	1-532-464-31	FUSE (T2.5AL/250V) (E23)					
△ F901	1-576-193-11	FUSE (6.3A/125V) (US,CND,MX)					
△ F902	1-533-453-11	FUSE, GLASS TUBE (DIA.5) (5A/125V) (US,CND,MX)					
△ F904	1-532-464-31	FUSE (T2.5AL/250V) (E23)					
Q423	8-729-051-92	TRANSISTOR 2SD2560 (DE985)					
Q424	8-729-051-93	TRANSISTOR 2SB1647 (DE985)					
Q473	8-729-051-92	TRANSISTOR 2SD2560 (DE985)					
Q473	8-749-010-25	TRANSISTOR MN2488-OPY-M (DE885)					
Q474	8-729-051-93	TRANSISTOR 2SB1647 (DE985)					
Q474	8-749-010-26	TRANSISTOR MP1620-OPY-M (DE885)					
Q523	8-729-051-92	TRANSISTOR 2SD2560 (DE985)					
Q523	8-749-010-25	TRANSISTOR MN2488-OPY-M (DE885)					
Q524	8-729-051-93	TRANSISTOR 2SB1647 (DE985)					
Q524	8-749-010-26	TRANSISTOR MP1620-OPY-M (DE885)					
Q573	8-729-051-92	TRANSISTOR 2SD2560 (DE985)					
Q573	8-749-010-25	TRANSISTOR MN2488-OPY-M (DE885)					
Q574	8-729-051-93	TRANSISTOR 2SB1647 (DE985)					
Q574	8-749-010-26	TRANSISTOR MP1620-OPY-M (DE885)					
Q623	8-729-051-92	TRANSISTOR 2SD2560 (DE985)					
Q623	8-749-010-25	TRANSISTOR MN2488-OPY-M (DE885)					
Q624	8-729-051-93	TRANSISTOR 2SB1647 (DE985)					
Q624	8-749-010-26	TRANSISTOR MP1620-OPY-M (DE885)					
Q673	8-729-051-92	TRANSISTOR 2SD2560 (DE985)					
Q673	8-749-010-25	TRANSISTOR MN2488-OPY-M (DE885)					
Q674	8-729-051-93	TRANSISTOR 2SB1647 (DE985)					
Q674	8-749-010-26	TRANSISTOR MP1620-OPY-M (DE885)					
△ T901	1-437-710-11	TRANSFORMER, POWER (US,CND,MX)					
△ T901	1-437-714-11	TRANSFORMER, POWER (E23)					
TM301	1-693-577-11	TUNER PACK (FM/AM) (ANTENNA)					

The components identified by mark △ or dotted line with mark △ are critical for safety. Replace only with part number specified.

Les composants identifiés par une marque △ sont critiques pour la sécurité. Ne les remplacer que par une pièce portant le numéro spécifié.

MEMO

STR-DE885/DE985

SONY[®]

SERVICE MANUAL

Ver 1.2 2002. 11

*US Model
Canadian Model*

STR-DE885/DE985

E Model

STR-DE885

SUPPLEMENT-1

File this supplement with the service manual.

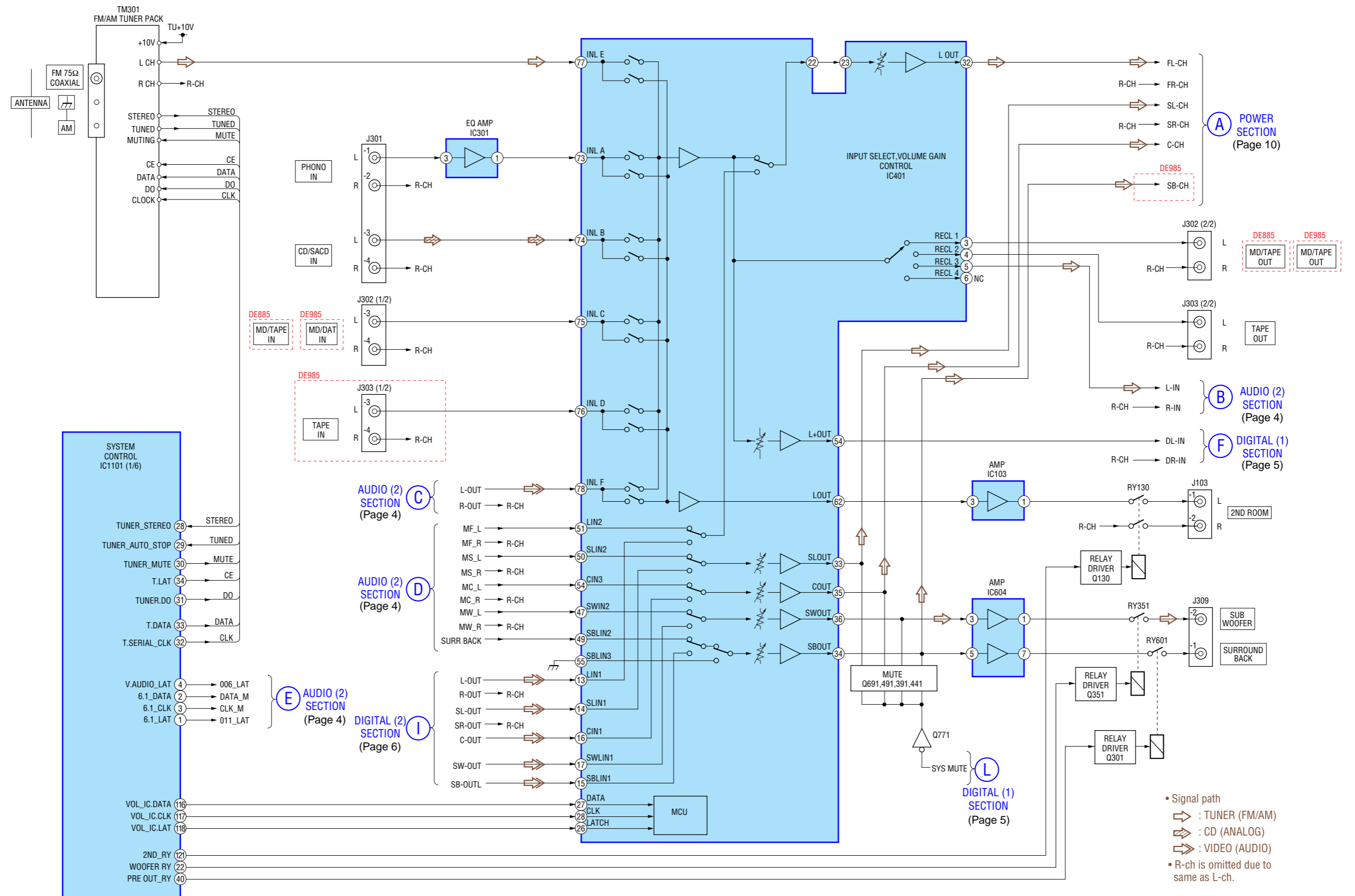
Subject : Addition of Block Diagrams.
--

TABLE OF CONTENTS

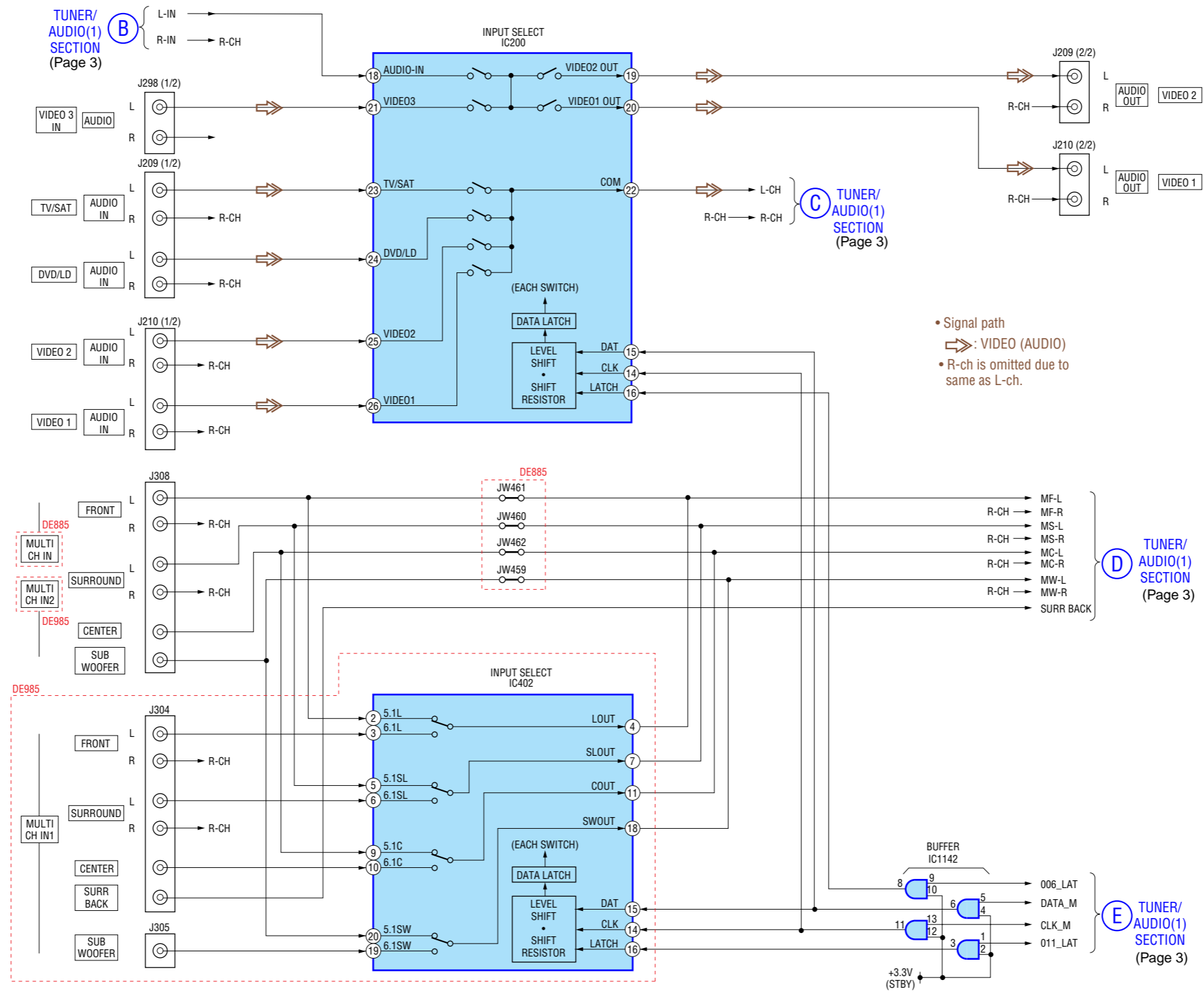
1. Block Diagram –Tuner/Audio (1) Section–	3
2. Block Diagram –Audio (2) Section–	4
3. Block Diagram –Digital (1) Section–	5
4. Block Diagram –Digital (2) Section–	6
5. Block Diagram –Video (1) Section–	7
6. Block Diagram –Video (2) Section–	8
7. Block Diagram –Key/Display Section–	9
8. Block Diagram –Power Section–	10

MEMO

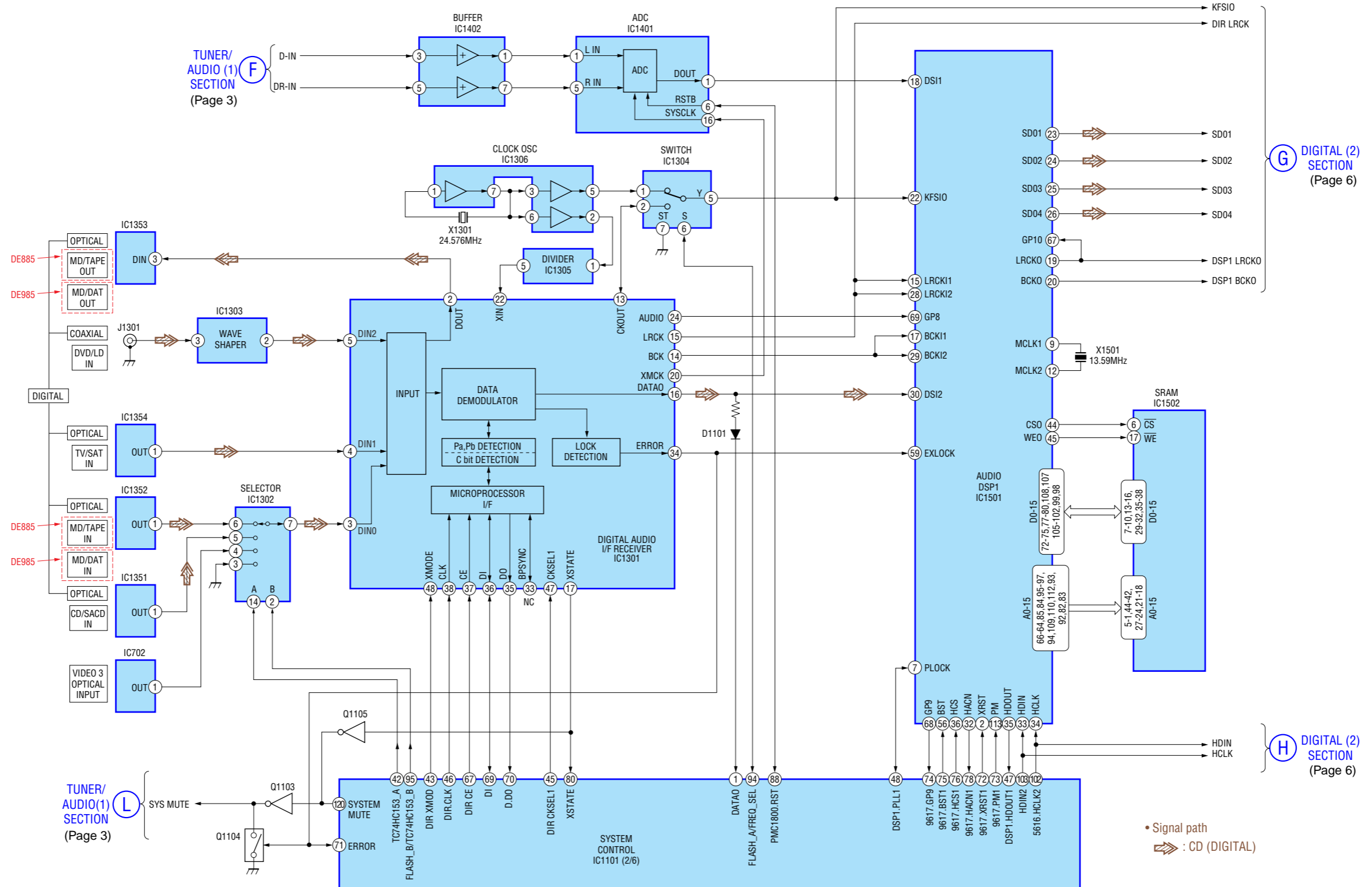
1. BLOCK DIAGRAM — TUNER/AUDIO (1) SECTION —



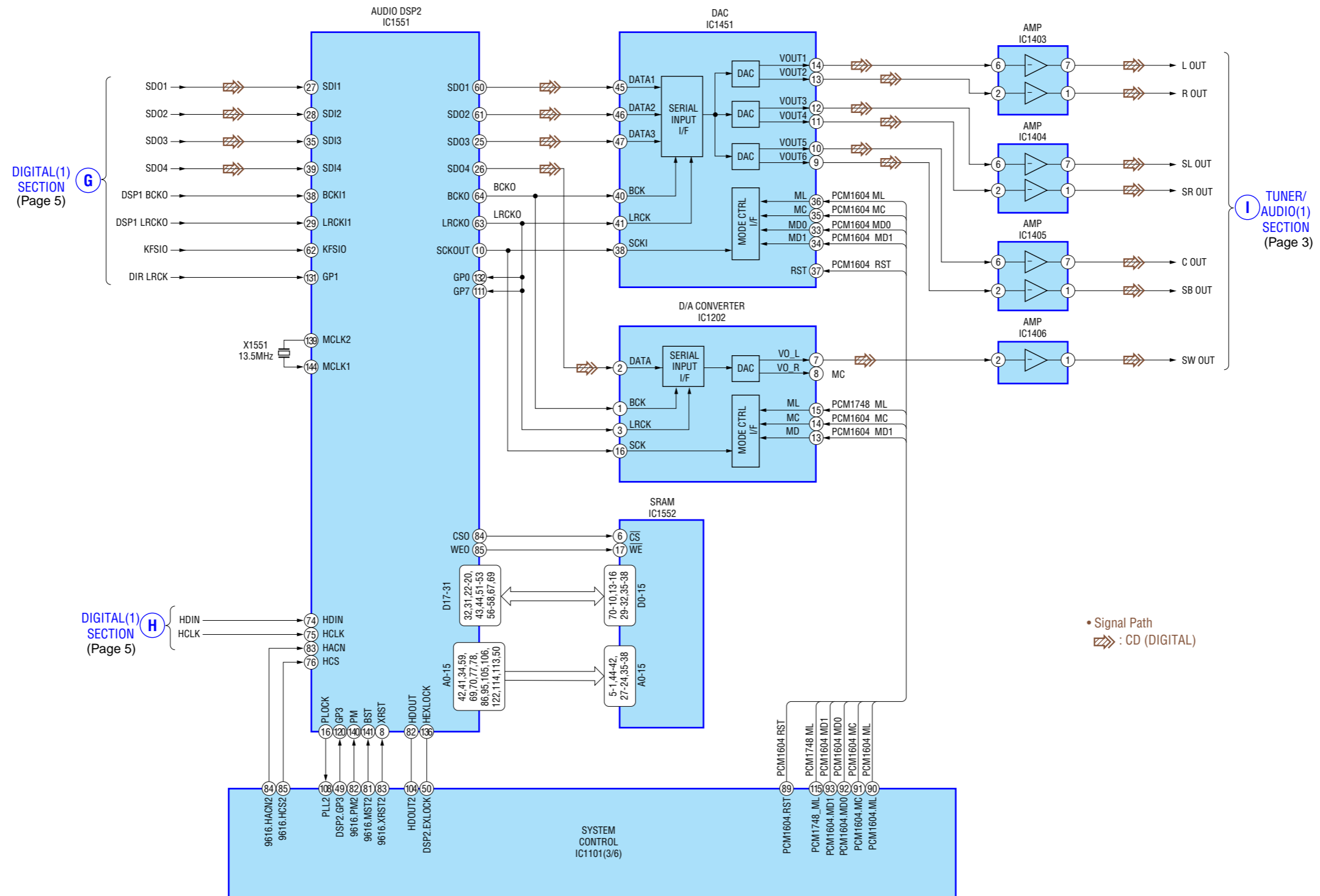
2. BLOCK DIAGRAM — AUDIO (2) SECTION —



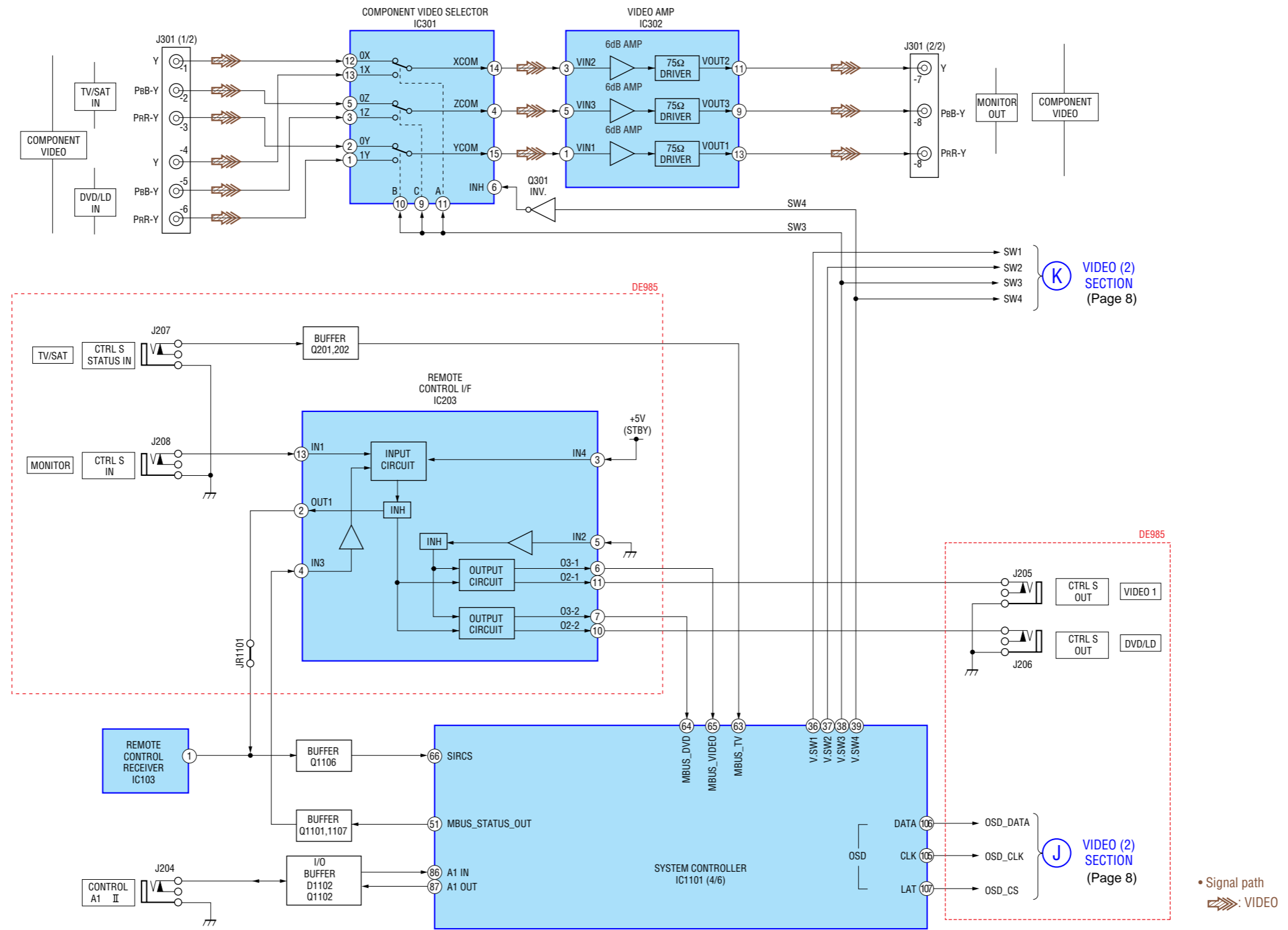
3. BLOCK DIAGRAM — DIGITAL (1) SECTION —



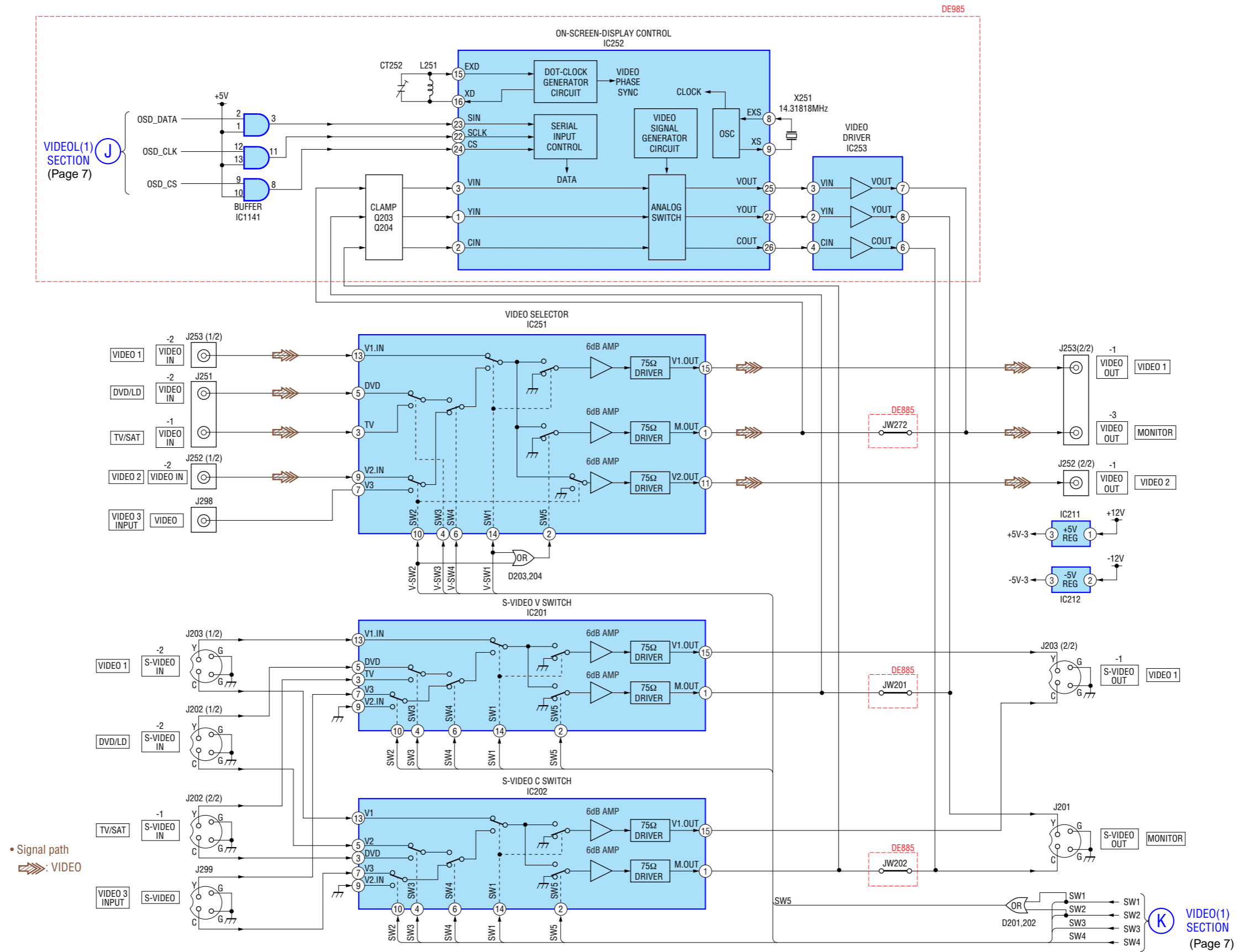
4. BLOCK DIAGRAM — DIGITAL (2) SECTION —



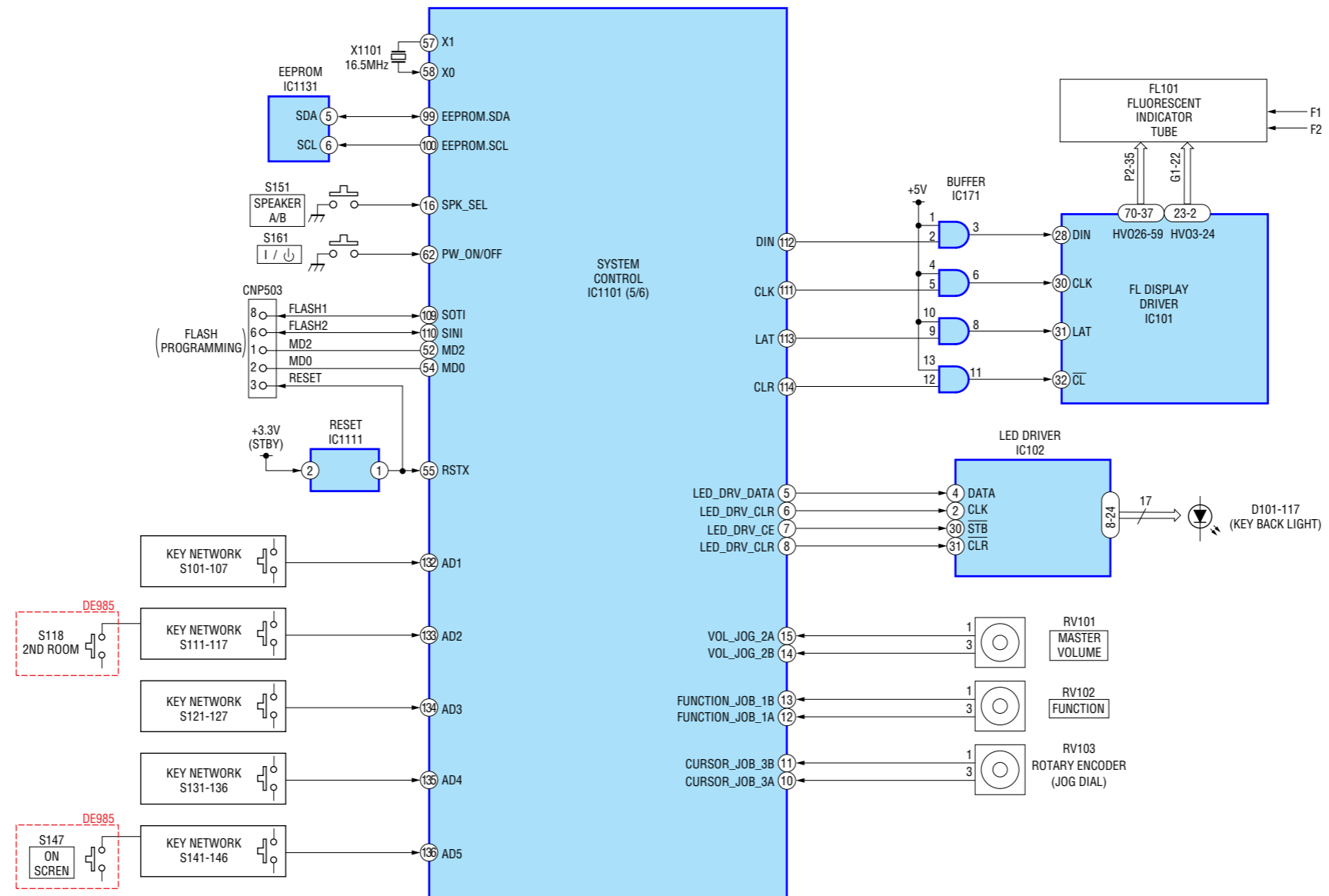
5. BLOCK DIAGRAM — VIDEO (1) SECTION —



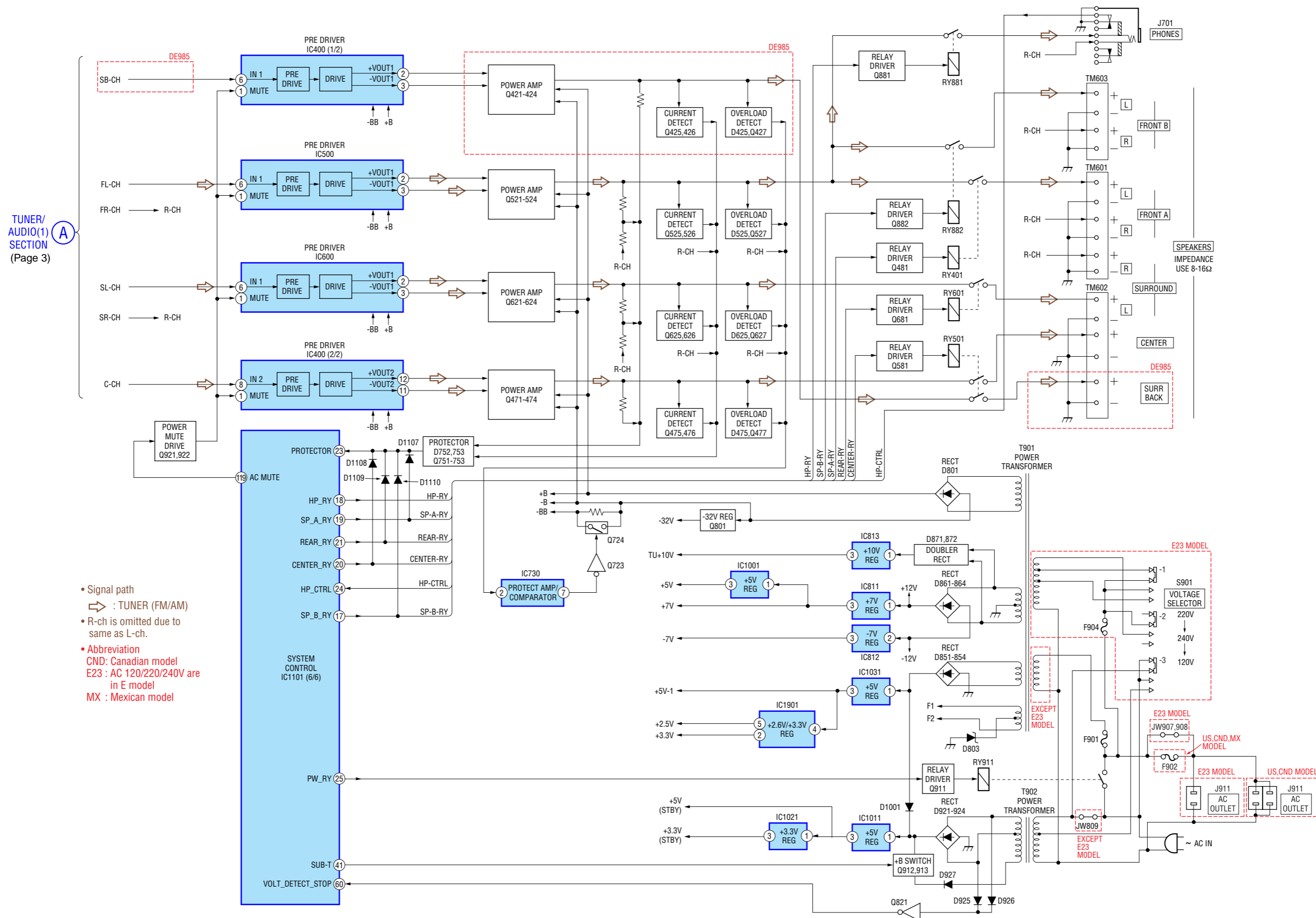
6. BLOCK DIAGRAM — VIDEO (2) SECTION —



7. BLOCK DIAGRAM — KEY/DISPLAY SECTION —



8. BLOCK DIAGRAM — POWER SECTION —



TUNER/AUDIO(1) SECTION (Page 3)

- Signal path
- ⇒ : TUNER (FM/AM)
- R-ch is omitted due to same as L-ch.
- Abbreviation
 CND: Canadian model
 E23 : AC 120/220/240V are in E model
 MX : Mexican model

MEMO

