

STR-DA3000ES

SERVICE MANUAL

Ver. 1.2 2005.07

US Model
Canadian Model
AEP Model
E Model



This receiver incorporates Dolby* Digital and Pro Logic Surround and the DTS** Digital Surround System.

* Manufactured under license from Dolby Laboratories.

"Dolby", "Pro Logic" and the double-D symbol are trademarks of Dolby Laboratories.

** "DTS", "DTS-ES Extended Surround", and "Neo:6" are trademarks of Digital Theater Systems, Inc.

SPECIFICATIONS

AUDIO POWER SPECIFICATIONS

POWER OUTPUT AND TOTAL HARMONIC DISTORTION: (Models of area code US only)

With 8 ohm loads, both channels driven, from 20 – 20,000 Hz; rated 150 watts per channel minimum RMS power, with no more than 0.6% total harmonic distortion from 250 milliwatts to rated output.

Amplifier section

Models of area code US, Canadian, Taiwan:

POWER OUTPUT

Rated Power Output at Stereo Mode¹⁾

(8 ohms 20 Hz – 20 kHz, THD 0.6%)

150 W + 150 W

Reference Power Output at Stereo Mode

(4 ohms 20 Hz – 20 kHz, THD 0.6%)

130 W + 130 W

Reference Power Output

(8 ohms 20 Hz – 20 kHz, THD 0.6%)

FRONT²⁾: 150 W + 150 W

CENTER²⁾: 150 W

SURR²⁾: 150 W + 150 W

SURR BACK²⁾³⁾: 150 W +

150 W

SURR BACK²⁾⁴⁾: 150 W

(4 ohms 20 Hz – 20 kHz, THD 0.6%)

FRONT²⁾: 130 W + 130 W

CENTER²⁾: 130 W

SURR²⁾: 130 W + 130 W

SURR BACK²⁾³⁾: 130 W +

130 W

SURR BACK²⁾⁴⁾: 130 W

Models of area code AEP, Korean:

POWER OUTPUT

Rated Power Output at Stereo Mode¹⁾

(8 ohms 1 kHz, THD 0.7%)

150 W + 150 W

Reference Power Output at Stereo Mode

(4 ohms 1 kHz, THD 0.7%)

130 W + 130 W

Reference Power Output

(8 ohms 1 kHz, THD 0.7%)

FRONT²⁾: 150 W + 150 W

CENTER²⁾: 150 W

SURR²⁾: 150 W + 150 W

SURR BACK²⁾: 150 W

(4 ohms 1 kHz, THD 0.7%)

FRONT²⁾: 130 W + 130 W

CENTER²⁾: 130 W

SURR²⁾: 130 W + 130 W

SURR BACK²⁾: 130 W

1) Depending on the sound field settings and the source, there may be no sound output.

2) Measured under the following conditions:

Area code	Power requirements
US, Canadian	120 V AC, 60 Hz
Taiwan	110 V AC, 60 Hz
AEP	230 V AC, 50/60 Hz
Korean	220 V AC, 60 Hz

3) Models of area code US, Canadian only.

4) Models of area code Taiwan only.

Frequency response

PHONO	RIAA equalization curve ±0.5 dB
MULTI CHANNEL INPUT 1, 2, CD/ SACD, TAPE, MD/ DAT, DVD, TV/SAT, VIDEO 1, 2, 3	10 Hz – 40 kHz ±3 dB (when sound field and equalizer bypassed)

– Continued on next page –

FM STEREO FM/AM RECEIVER

9-961-109-03

2005G05-1

© 2005.07

Sony Corporation

Audio Group

Published by Sony Engineering Corporation

SONY®

STR-DA3000ES

Inputs (Analog)

PHONO	S/N: 86 dB
-------	------------

MULTI CHANNEL INPUT 1, 2, CD/ SACD, TAPE, MD/ DAT, DVD, TV/SAT, VIDEO 1, 2, 3	S/N: 96 dB
---	------------

Inputs (Digital)

CD/SACD, DVD (Coaxial)	S/N: 96 dB (A, 20 kHz LPF)
---------------------------	-------------------------------

CD/SACD, DVD, TV/ SAT, MD/DAT, VIDEO3 (Optical)	S/N: 96 dB (A, 20 kHz LPF)
---	-------------------------------

Outputs

TAPE, MD/DAT (REC OUT), VIDEO 1, 2 (AUDIO OUT)
--

FRONT L/R, CENTER, SURROUND L/R, SURROUND BACK (L/R), SUB WOOFER
--

EQUALIZER

Gain levels	±10 dB, 1 dB step
-------------	-------------------

FM tuner section

Tuning range	87.5 - 108.0 MHz
Antenna	FM wire antenna
Antenna terminals	75 ohms, unbalanced
Sensitivity	
Mono:	18.3 dBf, 2.2 μV/75 ohms
Stereo:	38.3 dBf, 22.5 μV/75 ohms
Useable sensitivity	11.2 dBf, 1 μV/75 ohms
S/N	
Mono:	76 dB
Stereo:	70 dB
Harmonic distortion at 1 kHz	
Mono:	0.3%
Stereo:	0.5%
Separation	45 dB at 1 kHz
Frequency response	30 Hz - 15 kHz, +0.5/-2 dB
Selectivity	60 dB at 400 kHz

AM tuner section

Tuning range
Models of area code U, CA:
530 - 1,710 kHz⁷⁾
(With 10-kHz tuning scale)
531 - 1,710 kHz⁷⁾
(With 9-kHz tuning scale)

Models of other area codes:

Antenna	Loop antenna
Usable sensitivity	50 dB/m (at 1,000 kHz or 999 kHz)
S/N	54 dB (at 50 mV/m)
Harmonic distortion	0.5% (50 mV/m, 400 Hz)
Selectivity	
At 9 kHz:	35 dB
At 10 kHz:	40 dB

5) You can change the AM tuning scale to 9 kHz or 10 kHz. After tuning in any AM station, turn off the receiver. While holding down PRESET TUNING + or TUNING +, press I/⏏. All preset stations will be erased when you change the tuning scale. To reset the scale to 10 kHz (or 9 kHz), repeat the procedure.

Video section

Inputs/Outputs	
Video:	1 Vp-p, 75 ohms
S-video:	Y: 1 Vp-p, 75 ohms C: 0.286 Vp-p, 75 ohms
COMPONENT VIDEO:	Y: 1 Vp-p, 75 ohms P _B /C _B /B-Y: 0.7 Vp-p, 75 ohms P _R /C _R /R-Y: 0.7 Vp-p, 75 ohms

General

Power requirements

Area code	Power requirements
US, Canadian	120 V AC, 60 Hz
AEP	230 V AC, 50/60 Hz
Taiwan	110 V AC, 60 Hz
Korean	220 V AC, 60 Hz

Power consumption

Area code	Power consumption
Except Canadian	280 W
Canadian	470 VA

Power consumption (during standby mode)
1 W

AC outlets

Area code	AC outlets
US, Canadian	2 switched, 120 W/1A MAX
AEP	1 switched, 100 W MAX
Taiwan	2 switched, 100 W MAX
Korean	- (no AC outlet)

Dimensions	430 × 175 × 470 mm including projecting parts and controls
Mass (Approx.)	13 kg

Supplied accessories

- FM wire antenna (1)
- AM loop antenna (1)
- AC power cord (1)
- Remote commander RM-LG112 (1)
- R6 (size-AA) batteries (2)
- Remote commander RM-US106 (1)
(US, Canadian models)
- R6 (size-AA) batteries (2) (US, Canadian models)

Design and specifications are subject to change without notice.

Notes on chip component replacement

- Never reuse a disconnected chip component.
- Notice that the minus side of a tantalum capacitor may be damaged by heat.

SAFETY CHECK-OUT

After correcting the original service problem, perform the following safety check before releasing the set to the customer: Check the antenna terminals, metal trim, “metallized” knobs, screws, and all other exposed metal parts for AC leakage. Check leakage as described below.

LEAKAGE TEST

The AC leakage from any exposed metal part to earth ground and from all exposed metal parts to any exposed metal part having a return to chassis, must not exceed 0.5 mA (500 microamperes.). Leakage current can be measured by any one of three methods.

1. A commercial leakage tester, such as the Simpson 229 or RCA WT-540A. Follow the manufacturers' instructions to use these instruments.
2. A battery-operated AC milliammeter. The Data Precision 245 digital multimeter is suitable for this job.
3. Measuring the voltage drop across a resistor by means of a VOM or battery-operated AC voltmeter. The “limit” indication is 0.75 V, so analog meters must have an accurate low-voltage scale. The Simpson 250 and Sanwa SH-63Trd are examples of a passive VOM that is suitable. Nearly all battery operated digital multimeters that have a 2 V AC range are suitable. (See Fig. A)

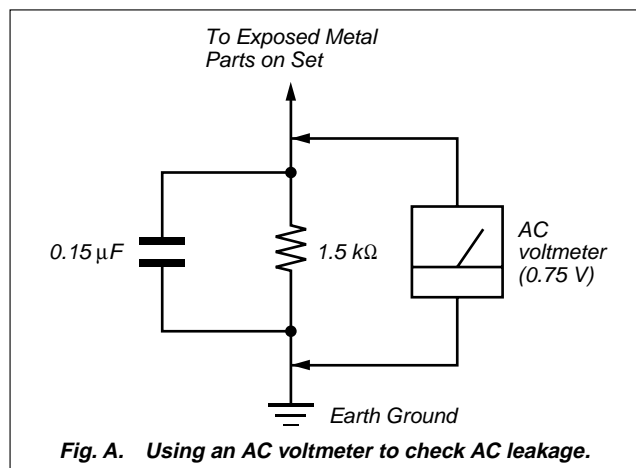


Fig. A. Using an AC voltmeter to check AC leakage.

UNLEADED SOLDER

Boards requiring use of unleaded solder are printed with the lead-free mark (LF) indicating the solder contains no lead. (Caution: Some printed circuit boards may not come printed with the lead free mark due to their particular size)

LF : LEAD FREE MARK

Unleaded solder has the following characteristics.

- Unleaded solder melts at a temperature about 40 °C higher than ordinary solder. Ordinary soldering irons can be used but the iron tip has to be applied to the solder joint for a slightly longer time. Soldering irons using a temperature regulator should be set to about 350 °C. Caution: The printed pattern (copper foil) may peel away if the heated tip is applied for too long, so be careful!
- Strong viscosity. Unleaded solder is more viscous (sticky, less prone to flow) than ordinary solder so use caution not to let solder bridges occur such as on IC pins, etc.
- Usable with ordinary solder. It is best to use only unleaded solder but unleaded solder may also be added to ordinary solder.

SAFETY-RELATED COMPONENT WARNING!!

COMPONENTS IDENTIFIED BY MARK \triangle OR DOTTED LINE WITH MARK \triangle ON THE SCHEMATIC DIAGRAMS AND IN THE PARTS LIST ARE CRITICAL TO SAFE OPERATION. REPLACE THESE COMPONENTS WITH SONY PARTS WHOSE PART NUMBERS APPEAR AS SHOWN IN THIS MANUAL OR IN SUPPLEMENTS PUBLISHED BY SONY.

ATTENTION AU COMPOSANT AYANT RAPPORT À LA SÉCURITÉ!

LES COMPOSANTS IDENTIFIÉS PAR UNE MARQUE \triangle SUR LES DIAGRAMMES SCHÉMATIQUES ET LA LISTE DES PIÈCES SONT CRITIQUES POUR LA SÉCURITÉ DE FONCTIONNEMENT. NE REMPLACER CES COMPOSANTS QUE PAR DES PIÈCES SONY DONT LES NUMÉROS SONT DONNÉS DANS CE MANUEL OU DANS LES SUPPLÉMENTS PUBLIÉS PAR SONY.

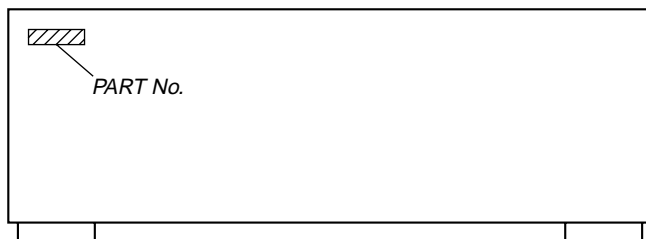
TABLE OF CONTENTS

1. SERVICING NOTES	5	6-38. Printed Wiring Board – PRE-OUT Board (Component Side) – (US, CND models)	56
2. GENERAL		6-39. Printed Wiring Board – PRE-OUT Board (Conductor Side) – (US, CND models)	57
Location of Controls	10	6-40. Schematic Diagram – PRE-OUT Board – (US, CND models)	58
3. DISASSEMBLY		6-41. Schematic Diagram – VIDEO Board (1/3) –	59
3-1. Disassembly Flow	11	6-42. Schematic Diagram – VIDEO Board (2/3) –	60
3-2. Case	11	6-43. Schematic Diagram – VIDEO Board (3/3) –	61
3-3. Front Panel Section	12	6-44. Printed Wiring Board – VIDEO Board (Component Side) –	62
3-4. D-AMP Board	13	6-45. Printed Wiring Board – VIDEO Board (Conductor Side) –	63
4. TEST MODE	14	6-46. Printed Wiring Board – S-VIDEO Board –	64
5. ELECTRICAL ADJUSTMENTS	15	6-47. Schematic Diagram – S-VIDEO Board –	65
6. DIAGRAMS		6-48. Printed Wiring Board – CIS Board – (US, CND models)	66
6-1. Block Diagram – AUDIO IN Section –	19	6-49. Schematic Diagram – CIS Board – (US, CND models)	67
6-2. Block Diagram – ELECTRICAL VOLUME Section –	20	6-50. Printed Wiring Board – FL Board –	68
6-3. Block Diagram – DIGITAL 1 Section –	21	6-51. Schematic Diagram – FL Board –	69
6-4. Block Diagram – DIGITAL 2 Section –	22	6-52. Printed Wiring Boards – PANEL Section –	70
6-5. Block Diagram – DIGITAL 3 Section –	23	6-53. Schematic Diagram – PANEL Section –	71
6-6. Block Diagram – PRE OUT Section –	24	6-54. Printed Wiring Board – REG Section (Component Side) –	72
6-7. Block Diagram – POWER AMP Section –	25	6-55. Printed Wiring Boards – REG Section (Conductor Side) –	73
6-8. Block Diagram – VIDEO IN Section –	26	6-56. Schematic Diagram – REG Section (1/2) –	74
6-9. Block Diagram – CIS/DISPLAY Section –	27	6-57. Schematic Diagram – REG Section (2/2) –	75
6-10. Block Diagram – POWER SUPPLY Section –	28	6-58. IC Pin Function Description	92
6-11. Note for Printed Wiring Boards and Schematic Diagrams	29	7. EXPLODED VIEWS	
6-12. Printed Wiring Board – AUDIO Board (Component Side) –	30	7-1. Case Section	109
6-13. Printed Wiring Board – AUDIO Board (Conductor Side) –	31	7-2. Front Panel Section-1	110
6-14. Schematic Diagram – AUDIO Board (1/4) –	32	7-3. Front Panel Section-2	111
6-15. Schematic Diagram – AUDIO Board (2/4) –	33	7-4. Chassis Section-1	112
6-16. Schematic Diagram – AUDIO Board (3/4) –	34	7-5. Chassis Section-2	113
6-17. Schematic Diagram – AUDIO Board (4/4) –	35	7-6. Chassis Section-3	114
6-18. Printed Wiring Board – ANALOG SUB Board –	36	7-7. Chassis Section-4	115
6-19. Schematic Diagram – ANALOG SUB Board –	37	7-8. Chassis Section-5	116
6-20. Schematic Diagram – DIGITAL Board (1/8) –	38	7-9. REG Board Section	117
6-21. Schematic Diagram – DIGITAL Board (2/8) –	39	7-10. D-AMP Board Section	118
6-22. Schematic Diagram – DIGITAL Board (3/8) –	40	8. ELECTRICAL PARTS LIST	119
6-23. Schematic Diagram – DIGITAL Board (4/8) –	41		
6-24. Schematic Diagram – DIGITAL Board (5/8) –	42		
6-25. Schematic Diagram – DIGITAL Board (6/8) –	43		
6-26. Schematic Diagram – DIGITAL Board (7/8) –	44		
6-27. Schematic Diagram – DIGITAL Board (8/8) –	45		
6-28. Printed Wiring Board – DIGITAL Board (Component Side) –	46		
6-29. Printed Wiring Board – DIGITAL Board (Conductor Side) –	47		
6-30. Printed Wiring Board – D-AMP Section (Component Side) –	48		
6-31. Printed Wiring Boards – D-AMP Section (Conductor Side) –	49		
6-32. Schematic Diagram – D-AMP Section (1/6) –	50		
6-33. Schematic Diagram – D-AMP Section (2/6) –	51		
6-34. Schematic Diagram – D-AMP Section (3/6) –	52		
6-35. Schematic Diagram – D-AMP Section (4/6) –	53		
6-36. Schematic Diagram – D-AMP Section (5/6) –	54		
6-37. Schematic Diagram – D-AMP Section (6/6) –	55		

SECTION 1 SERVICING NOTES

• **MODEL IDENTIFICATION**

– Back Panel –



Model	PART No.
US model	4-246-512-0□
Canadian model	4-246-512-1□
AEP model	4-246-512-2□
Taiwan model	4-246-512-3□
Korean model	4-246-512-4□

ERROR MESSAGES

If there is a malfunction, the display shows a code of two numbers and a message. You can check the condition of the system by message. Refer to the following table to solve the problem.

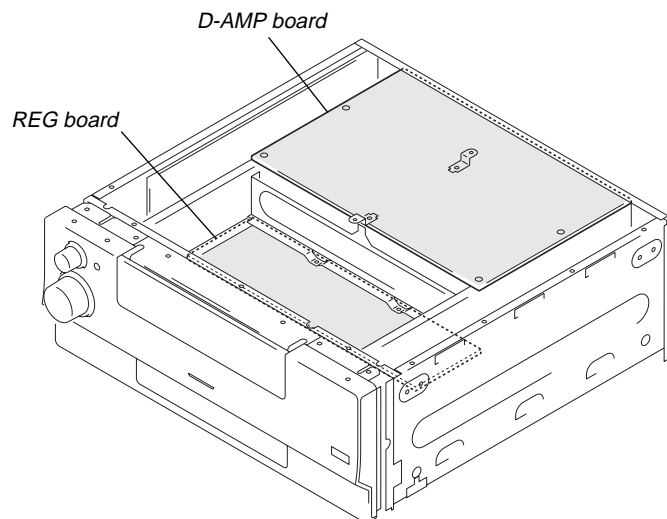
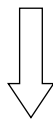
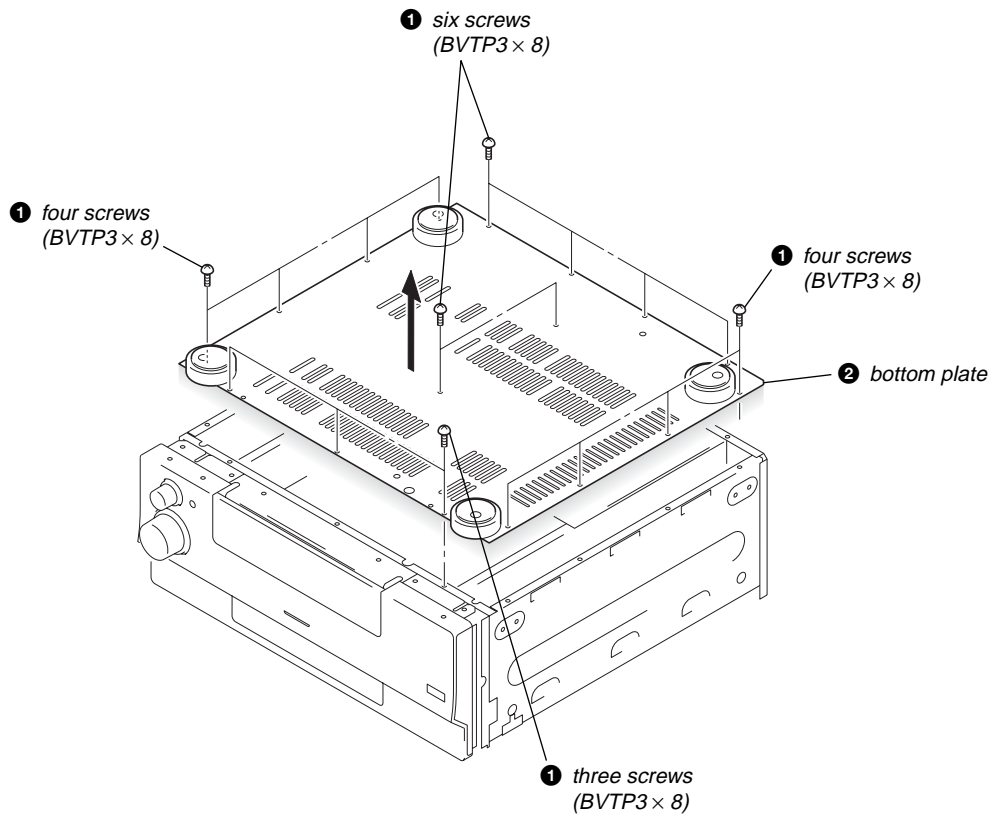
messages	check code	cause and response
DECODE ERROR	01	Appears when the signal which the receiver can not decode (example DSD-CD) is input when “DEC. PRI.” in the CUSTOMIZE menu is set to “PCM”. Set to “AUTO”.
PROTECTOR	11	Irregular current output to the speakers. Turn off the receiver and check the speaker connection. Then turn on the power again. Becomes this display, When short current flowed with breakage of the power MOS, or when detection resistor becomes open in connection with it.
PROTECTOR	12	The amplifier section is overheated. Turn off the receiver and check that the ventilation hole is not covered. Leave the receiver for a while and turn on the power again.
PROTECTOR	13	The power supply section is overheated. Turn off the receiver and check that the ventilation hole is not covered. leave the receiver for a while and turn on the power again.
PROTECTOR	21	DC between speaker terminal is detected (abnormalities such as DSD 0DATA and signal clip can be considered). Turn off the receiver and check the speaker connection. Then turn on the power again.
PROTECTOR	22	Two defects are considered, when current detection of a switching power supply operated by the super fluous speaker, +B power supply shut down or when the power MOS broke and +B line short. Turn off the receiver and check the speaker connection. Then turn on the power again.

STR-DA3000ES

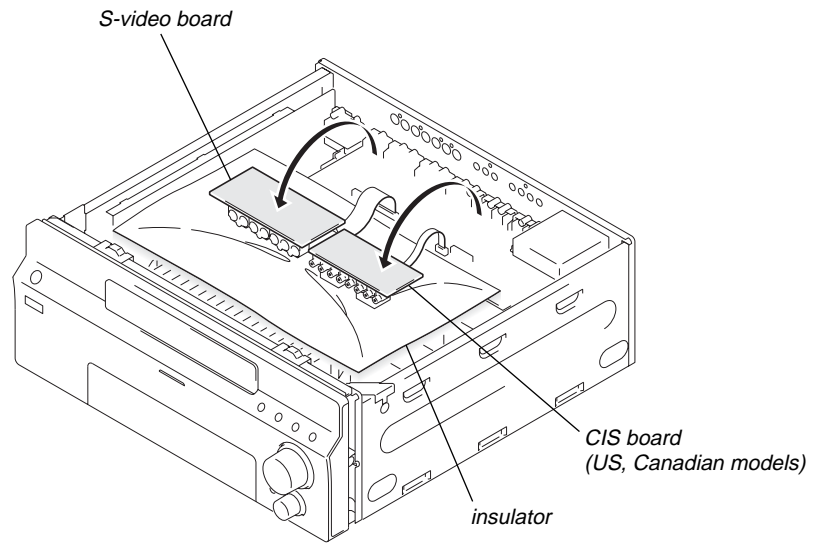
Note: Follow the disassembly procedure in the numerical order given.

D-AMP BOARD, REG BOARD SERVICE POSITION

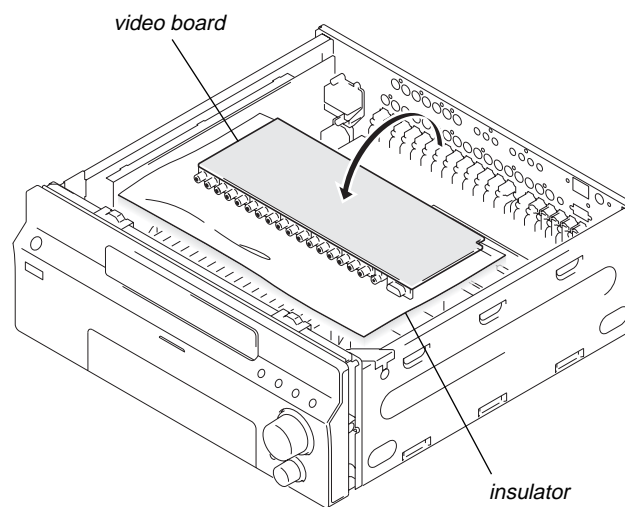
– BOTTOM VIEW –



CIS BOARD (US, Canadian models), S-VIDEO BOARD SERVICE POSITION

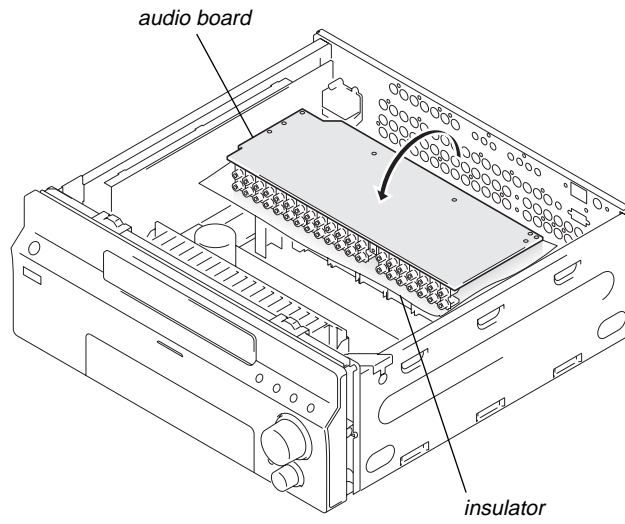


VIDEO BOARD SERVICE POSITION

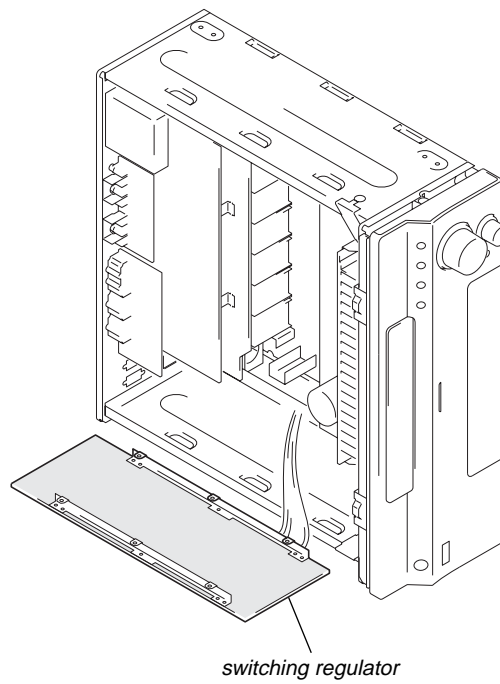


STR-DA3000ES

AUDIO BOARD SERVICE POSITION

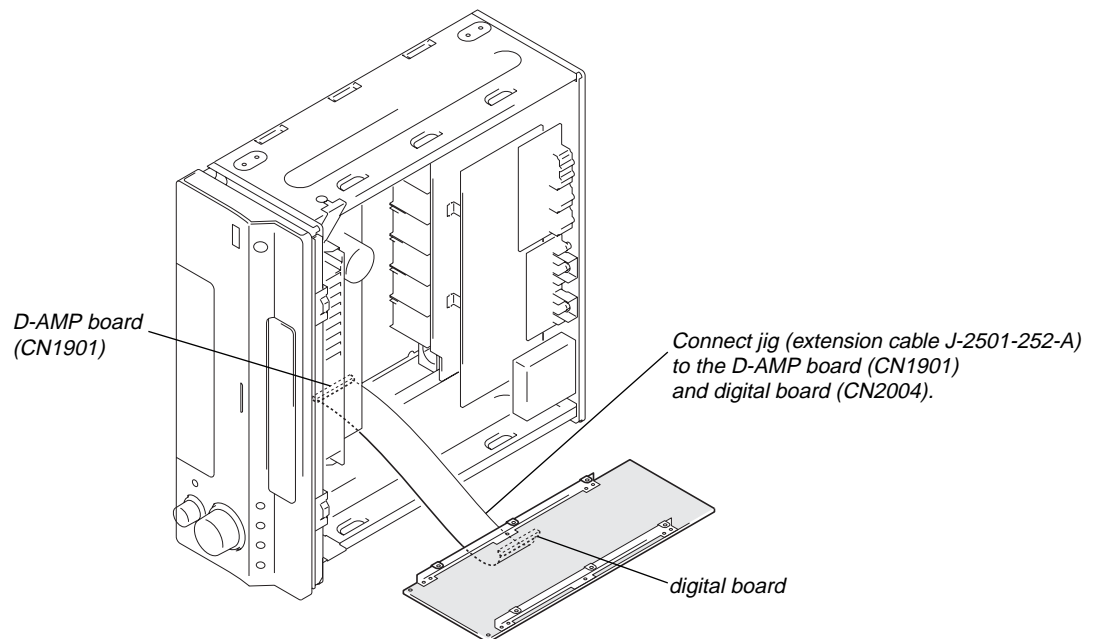


SWITCHING REGULATOR SERVICE POSITION

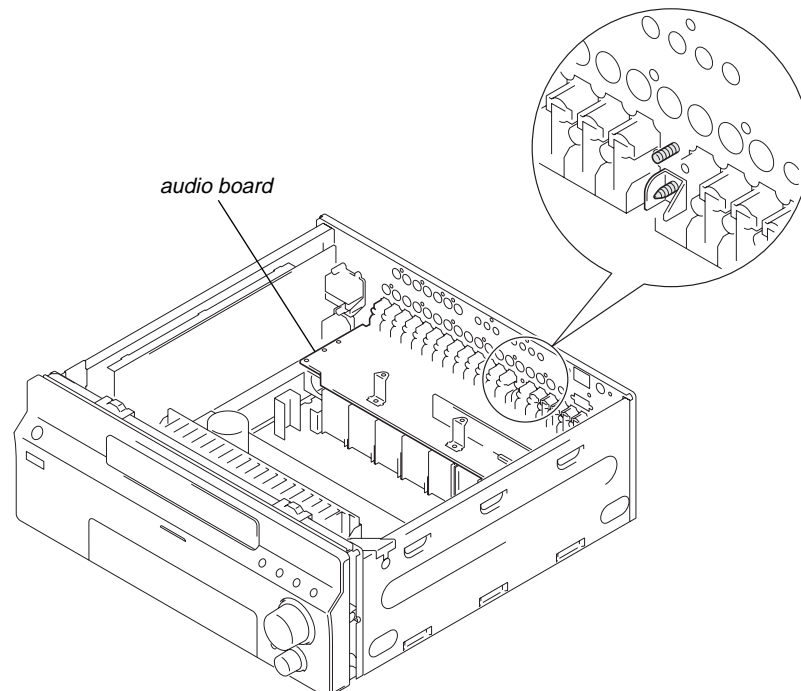


DIGITAL BOARD SERVICE POSITION

In checking the digital board, prepare jig (extension cable J-2501-252-A: 1.25 mm Pitch, 35 cores, Length 300 mm).

**CAUTIONS OF THE ATTACHMENT SCREW BUNDLE OF AUDIO BOARD**

Note: Since the ground is concentrating here, be careful especially in the case of a screw stop, and tighten a screw firmly.



This section is extracted from instruction manual.

LOCATION OF CONTROLS

– Front Panel –

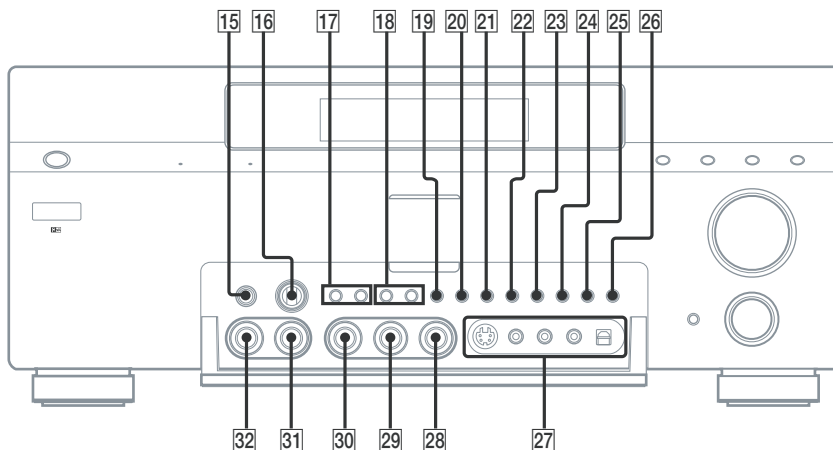
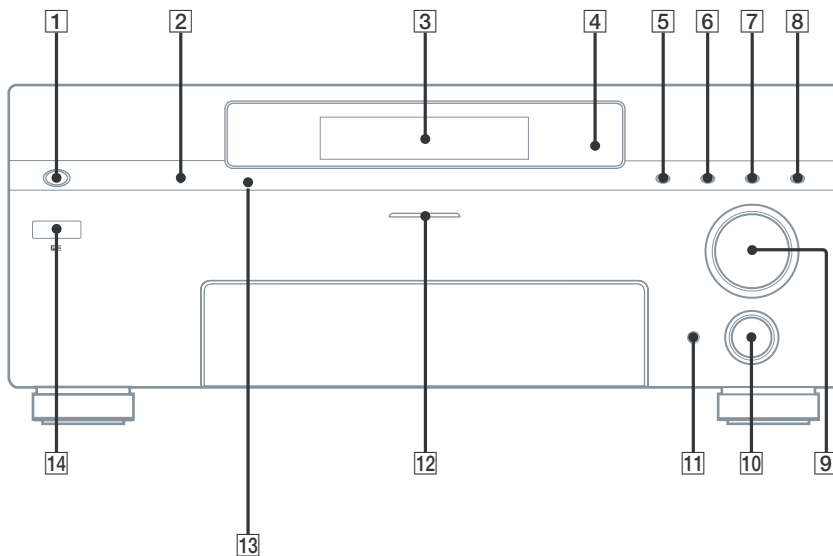
Main unit

ALPHABETICAL ORDER

- A.F.D. [6]
- BASS [32]
- DECODE PRIORITY [23]
- Digital Cinema Sound indicator [4]
- DIMMER indicator [13]
- DIRECT [24]
- DIRECT indicator [2]
- DISPLAY [22]
- Display [3]
- FM/AM [19]
- INPUT MODE [11]
- INPUT SELECTOR [10]
- IR receptor [14]
- MAIN MENU [30]
- MASTER VOLUME [9]
- MEMORY/ENTER [20]
- MENU [29]
- MOVIE [7]
- MULTI CH IN 1/2 [25]
- MULTICHANNEL DECODING indicator [12]
- MUSIC [8]
- PHONES jack [15]
- PRESET TUNING +/- [17]
- SPEAKERS switch [16]
- SURR BACK DECODING [26]
- TREBLE [31]
- TUNING +/- [18]
- USER PRESET [21]
- VIDEO 3 INPUT jacks [27]

NUMBERS AND SYMBOLS

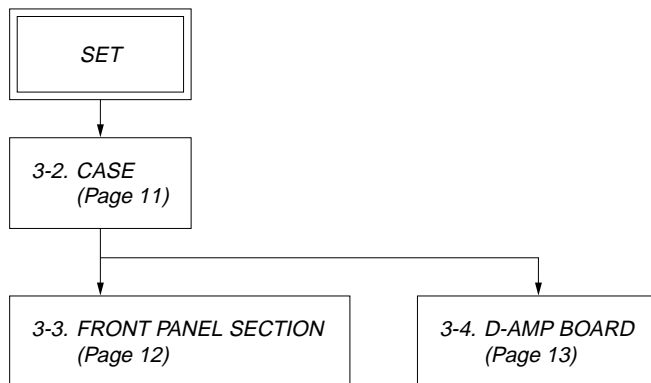
- 2CH [5]
- I/⏻ (power) [1]
- +/- [28]



SECTION 3 DISASSEMBLY

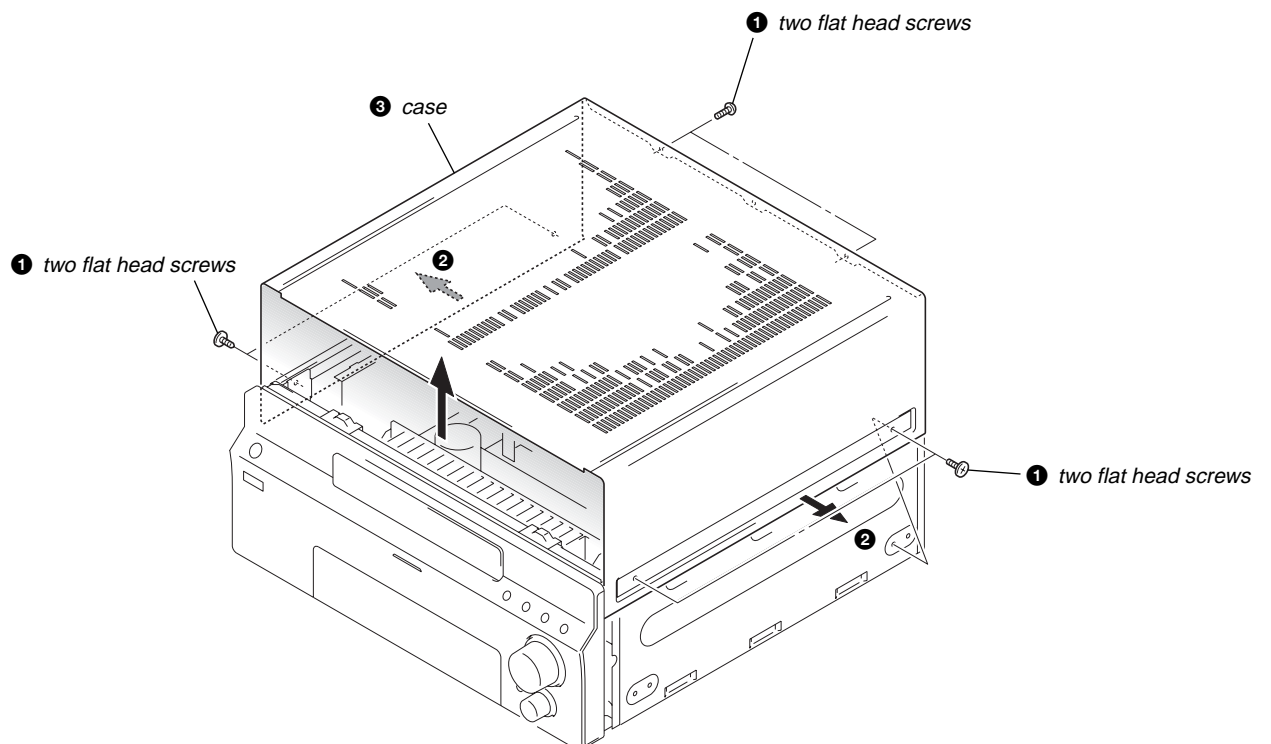
• This set can be disassembled in the order shown below.

3-1. DISASSEMBLY FLOW

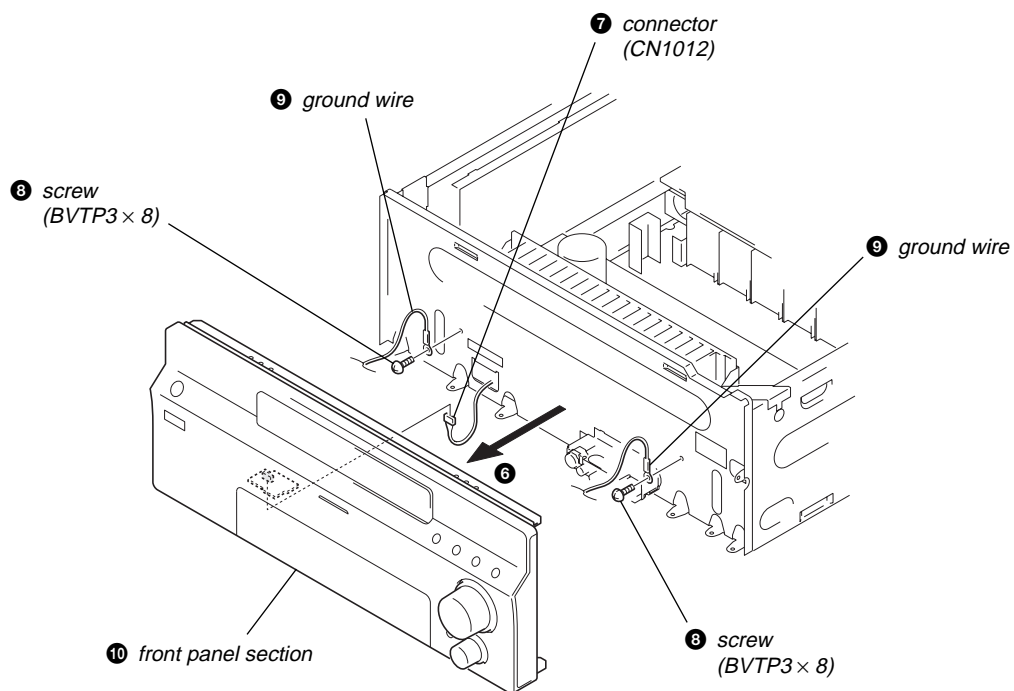
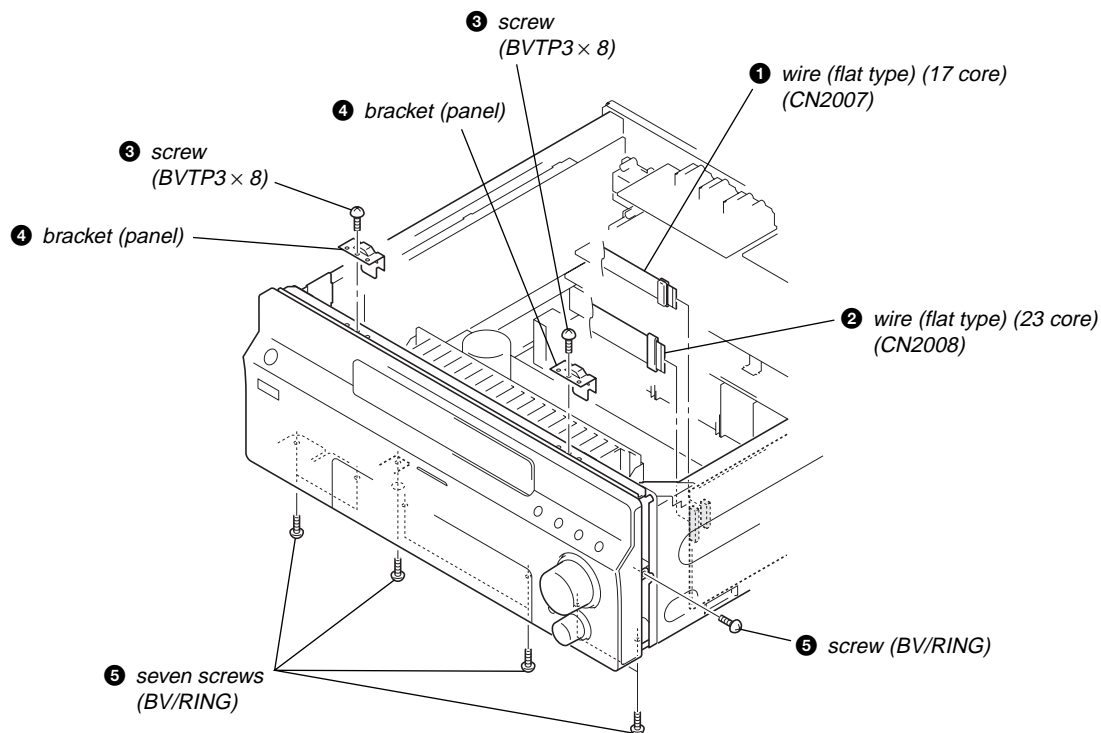


Note: Follow the disassembly procedure in the numerical order given.

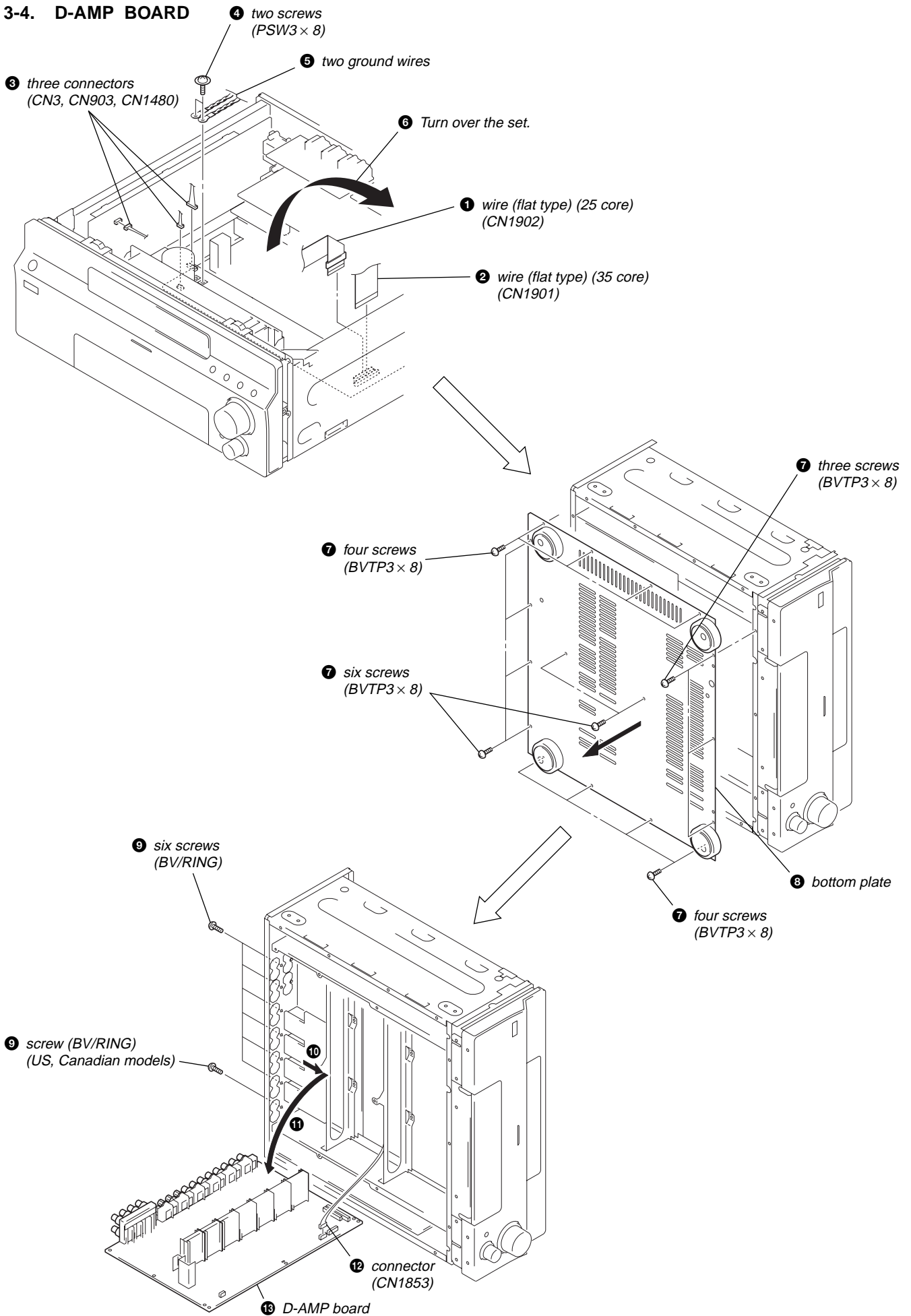
3-2. CASE



3-3. FRONT PANEL SECTION



3-4. D-AMP BOARD



SECTION 4 TEST MODE

TUNER FACTORY PRESET MODE

All preset contents are reset to the default setting.

Procedure:

1. While pressing the [SURR BACK DECODING] and [PRE-SET TUNING -] buttons, press the [I/⏻] button to turn on the main power.
2. The message "TUNER FACTORY PRESET" appears and the present contents are reset to the default values.

TUNER AM STEP CHANGE (9 kHz/10 kHz) MODE

Either the 9 kHz step or 10 kHz step can be selected for the AM channel step.

Procedure:

1. While pressing the [PRESET TUNING +] or [DISPLAY] button, press the [I/⏻] button to turn on the main power.
2. Either the message "AM 9K STEP" or "AM 10K STEP" appears. Select the desired step.

TUNER AUTOBETICAL TUNING MODE

Procedure:

1. While pressing the [MEMORY/ENTER] button, press the [I/⏻] button to turn on the main power.
2. The message "Autobetical select" appears and scans and stores all the FM and FM RDS stations in the broadcast area.
3. When done, the message "FINISH" appears.

SOUND FIELD CLEAR MODE

The preset sound field is cleared when this mode is activated. Use this mode before returning the product to clients upon completion of repair.

Procedure:

1. While pressing the [MUSIC] button, press the [I/⏻] button to turn on the main power.
2. The message "S. F. Initialize" appears and initialization is performed.

ALL CLEAR MODE

All preset contents are cleared when this mode is activated. Use this mode before returning the product to clients upon completion of repair.

Procedure:

1. While pressing the [INPUT MODE] and [MEMORY/ENTER] buttons, press the [I/⏻] button to turn on the main power.
2. The message "MEMORY CLEARING..." appears and the memories are reset to the default values.
3. When done, the message "MEMORY CLEARED!" appears.

VOLUME CHECK MODE

Procedure:

1. While pressing the [2CH] and [MEMORY/ENTER] buttons, press the [I/⏻] button to turn on the main power.
2. Press the [DISPLAY] button.
3. The message "-∞dB" appears. (Volume level is "MIN")
4. Press the [DISPLAY] button once again.
5. The message "-57.5dB" appears. (Volume level is "MID")
6. Press the [DISPLAY] button once again.
7. The message "0.0dB" appears. (Volume level is "MAX")
8. Press the [DISPLAY] button once again.
9. The message "MUTING" appears. (Muting on)
10. Press the [DISPLAY] button once again.
11. The message "MUTING OFF" appears. (Muting off)

FLUORESCENT INDICATOR TUBE PATTERN CHECK MODE

All fluorescent segments are tested. When this test is activated, all segments turn on at the same time, then each segment turns on one after another.

Procedure:

1. While pressing the [DISPLAY] and [MEMORY/ENTER] buttons, press the [I/⏻] button to turn on the main power.
2. All segments and [MULTI CHANNEL DECODING] indicator LED turn on.

COMMAND MODE CHANGE MODE

The command mode of the remote-commander which this set receives can be changed.

Procedure:

1. While pressing the [INPUT MODE] button, press the [I/⏻] button to turn on the main power.
2. Either the message "COMMAND MODE [AV1]" or "COMMAND MODE [AV2]" appears. Select the desired mode.

SF LOCK ON/OFF CHANGE MODE

Procedure:

1. While pressing the [MUSIC] and [MEMORY/CLEAR] buttons, press the [I/⏻] button to turn on the main power.
2. Either the message "SF LOCK [OFF]" or "SF LOCK [ON]" appears.

SPECIAL MENU MODE

About the special menu mode, refer to SUPPLEMENT-1.

SECTION 5 ELECTRICAL ADJUSTMENTS

DC OFFSET ADJUSTMENT

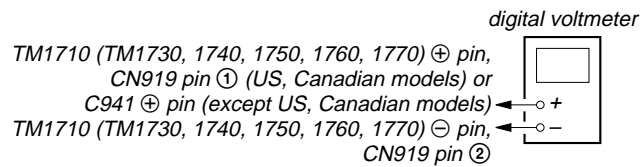
Condition:

function: MULTI CH 2

input signal: no signal (no load)

volume: 0 dB

Connection



Procedure:

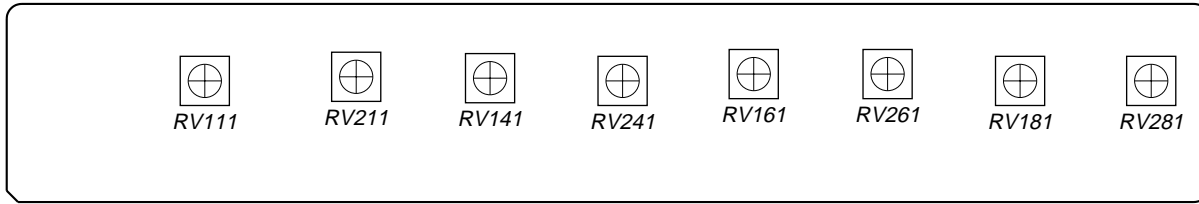
1. Connect a digital voltmeter to the TM1710 (TM1730, 1740, 1750, 1760, 1770) on the D-AMP board, CN919 (US, Canadian models) and C941 (except US, Canadian models) on the REG board.
2. Press the button to turn on the main power.
3. Adjust the RV111 (141, 161, 181, 211, 241, 261, 281) so that the digital voltmeter reading is ± 20 mV. (Only adjustment use RV261, digital voltmeter reading is \pm_{0}^{40} mV)

Adjustment and Connection Location: see page 16

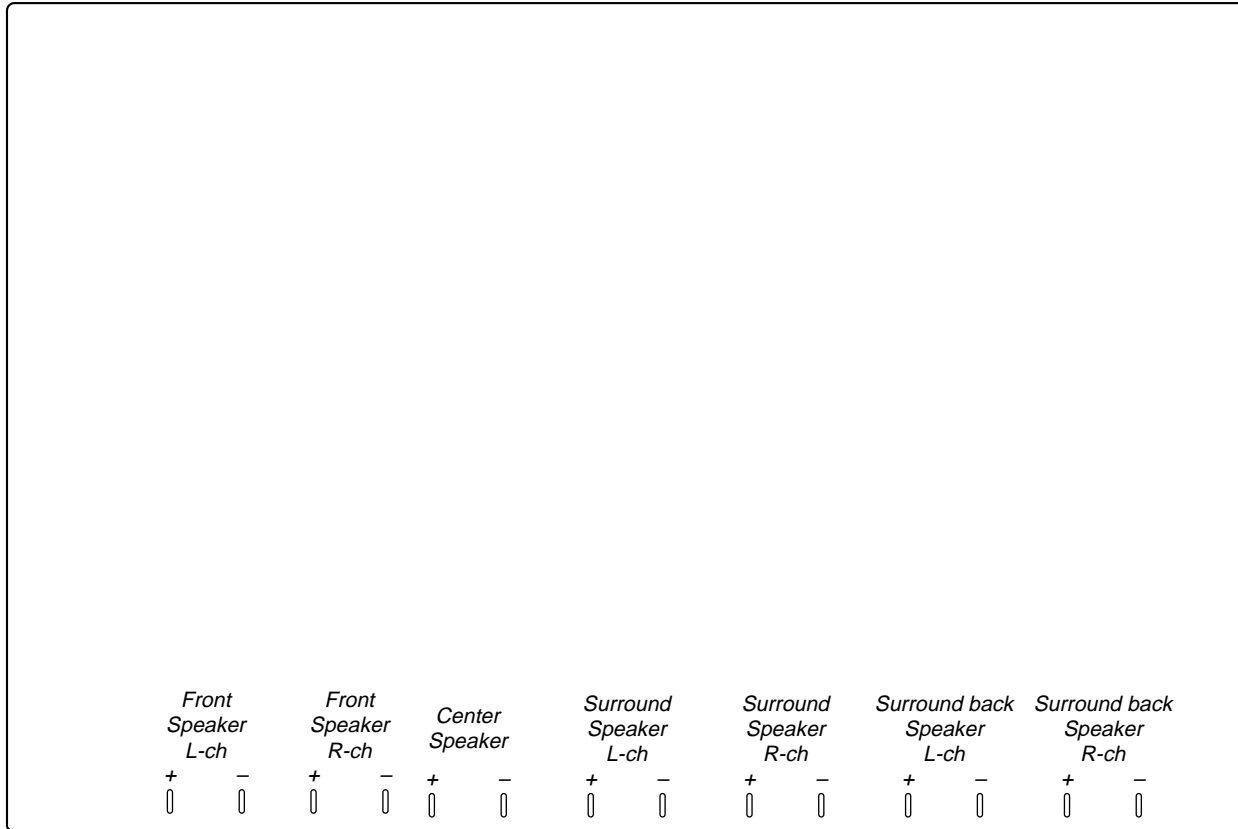
STR-DA3000ES

Adjustment and Connection Location:

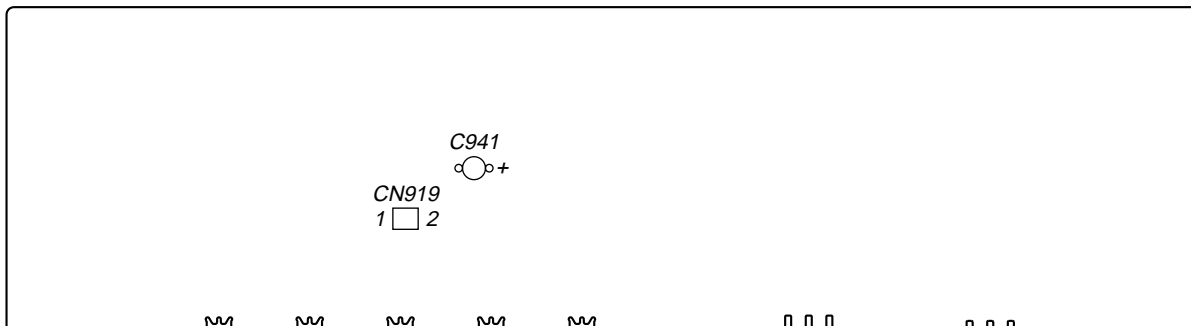
– ANALOG SUB BOARD (Component Side) –



– D-AMP BOARD (Conductor Side) –

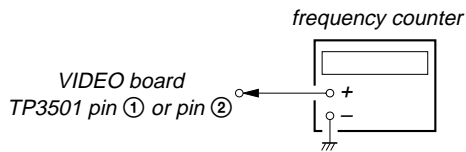


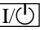

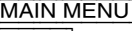
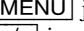
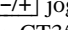

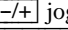

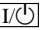
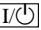

– REG BOARD (Conductor Side) –



OSD ADJUSTMENT

Connection

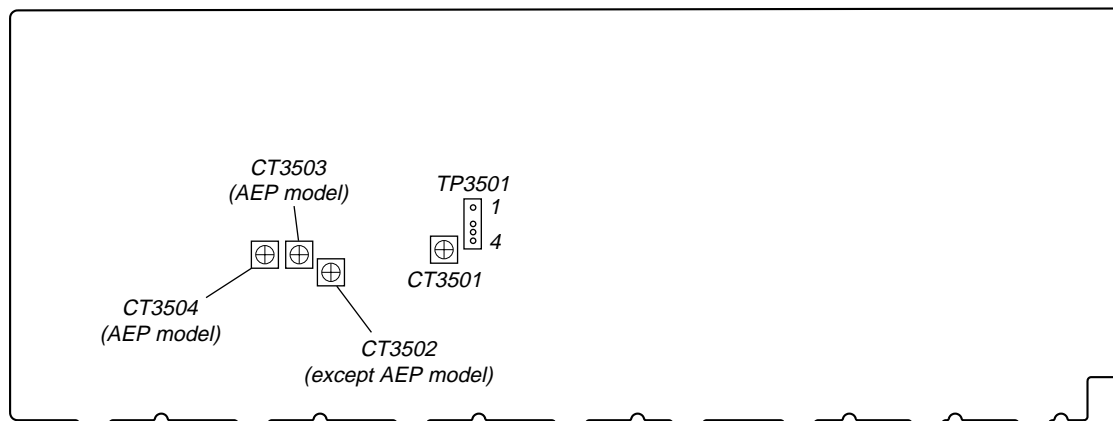


1. Short the TP3501 pin ④ on the VIDEO board to the GND.
2. Connect a frequency counter to the TP3501 pin ② on the VIDEO board.
3. Press the  button to turn on the main power.
4. Press the  button on the remote commander.
5. Turn the  jog to display "CUSTOMIZE".
6. Turn the  jog to display "COLOR SYSTEM".
7. Turn the  jog to display "NTSC".
8. Adjust the CT3502 (except AEP model) or CT3503 (AEP model) so that the frequency counter reading is 3.579545 ± 0.05 MHz.
9. Turn the  jog to display "COLOR SYSTEM".
10. Turn the  jog to display "PAL".
11. Press the  button on the remote commander.
12. Adjust the CT3504 so that the frequency counter reading is 4.433618 ± 0.05 MHz.
13. Press the  button to turn off the main power.
14. Connect a frequency counter to the CN3501 pin ① on the VIDEO board.
15. Press the  button to turn on the main power.
16. Press the  button on the remote commander.
17. Adjust the CT3501 so that the frequency counter reading is 7.20 ± 0.01 MHz.

Note: The steps 5 to 7 and 9 to 12 should be performed to AEP model.

Adjustment and Connection Location:

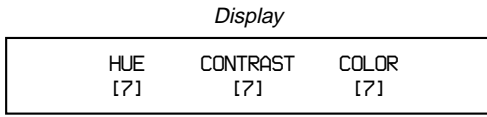
– VIDEO BOARD (Component Side) –



UP CONVERT SIGNAL LEVEL ADJUSTMENT

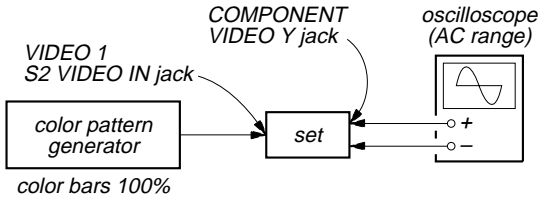
Enter the test mode

1. In the standby status, press the **[I/O]** button while pressing the **[INPUT MODE]** and **[DISPLAY]** buttons.
2. It enters the test mode, and display as below figure.



1. Y Level Adjustment

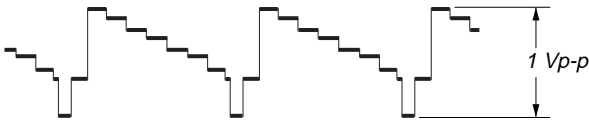
Setting:



Procedure:

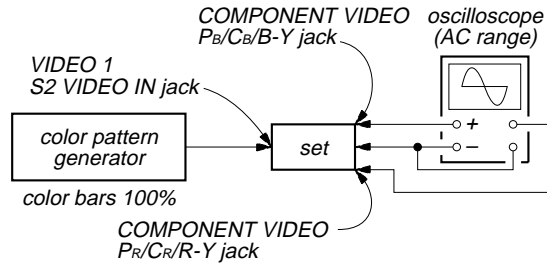
1. Connect a color pattern generator to the VIDEO 1 S2 VIDEO IN jack, and connect an oscilloscope to the COMPONENT VIDEO Y jack.
2. Enter the test mode.
3. Input color bars signal from the color pattern generator.
4. Adjust the **[MENU]** knob so that the V_{p-p} value of waveform becomes 1 V_{p-p} .

Y waveform:



2. Color Level Adjustment

Setting:



Procedure:

1. Connect a color pattern generator to the VIDEO 1 S2 VIDEO IN jack, and connect an oscilloscope to the COMPONENT VIDEO Pb/Cb/B-Y jack and COMPONENT VIDEO Pr/Cr/R-Y jack.
2. Enter the test mode.
3. Input color bars signal from the color pattern generator.
4. Display two waveforms of C_B and C_R simultaneously.
5. Adjust the **[-/+]** knob so that the V_{p-p} value of waveforms of C_B and C_R both may be most set to 0.7V closely.

C_B waveform:

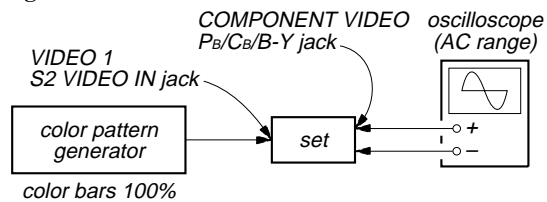


C_R waveform:



3. HUE Level Adjustment

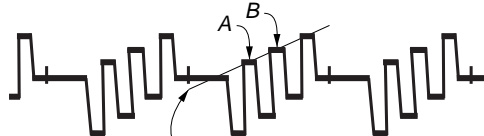
Setting:



Procedure:

1. Connect a color pattern generator to the VIDEO 1 S2 VIDEO IN jack, and connect an oscilloscope to the COMPONENT VIDEO Pb/Cb/B-Y jack.
2. Enter the test mode.
3. Input color bars signal from the color pattern generator.
4. Adjust the **[MAIN MENU]** knob so that the waveform as bellow.

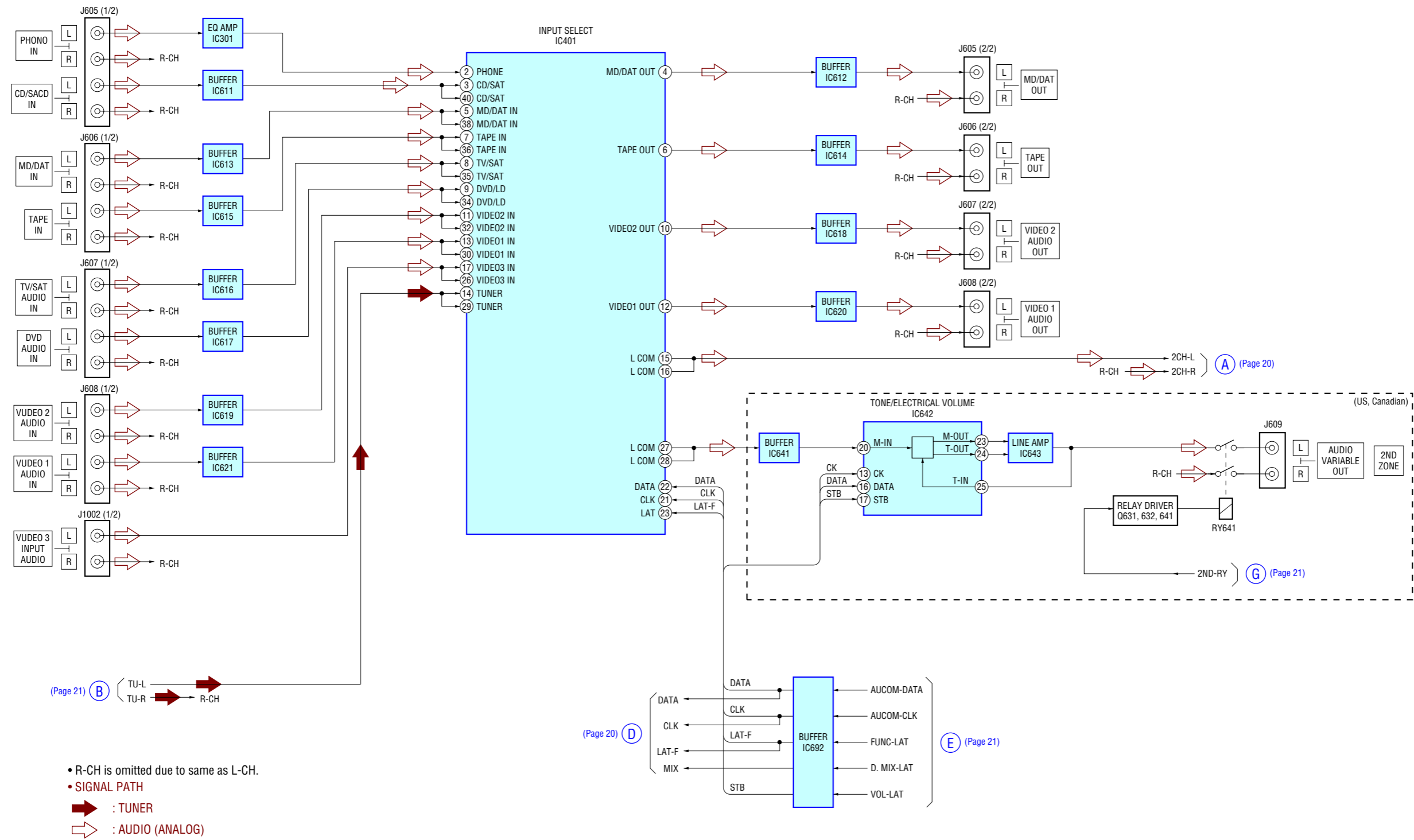
C_B waveform:



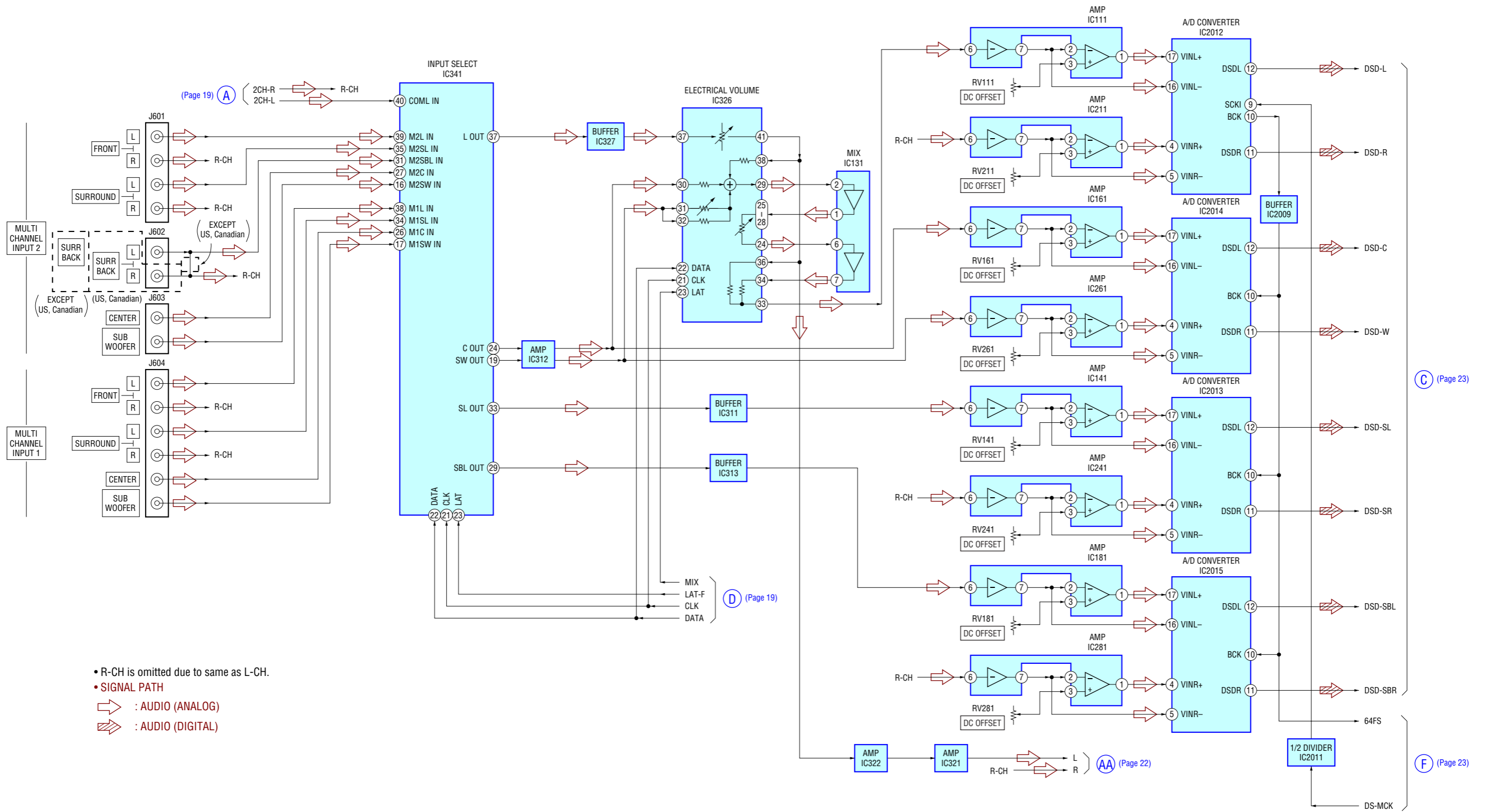
Adjust so that the height of A and B may be located in a line on this line.

SECTION 6 DIAGRAMS

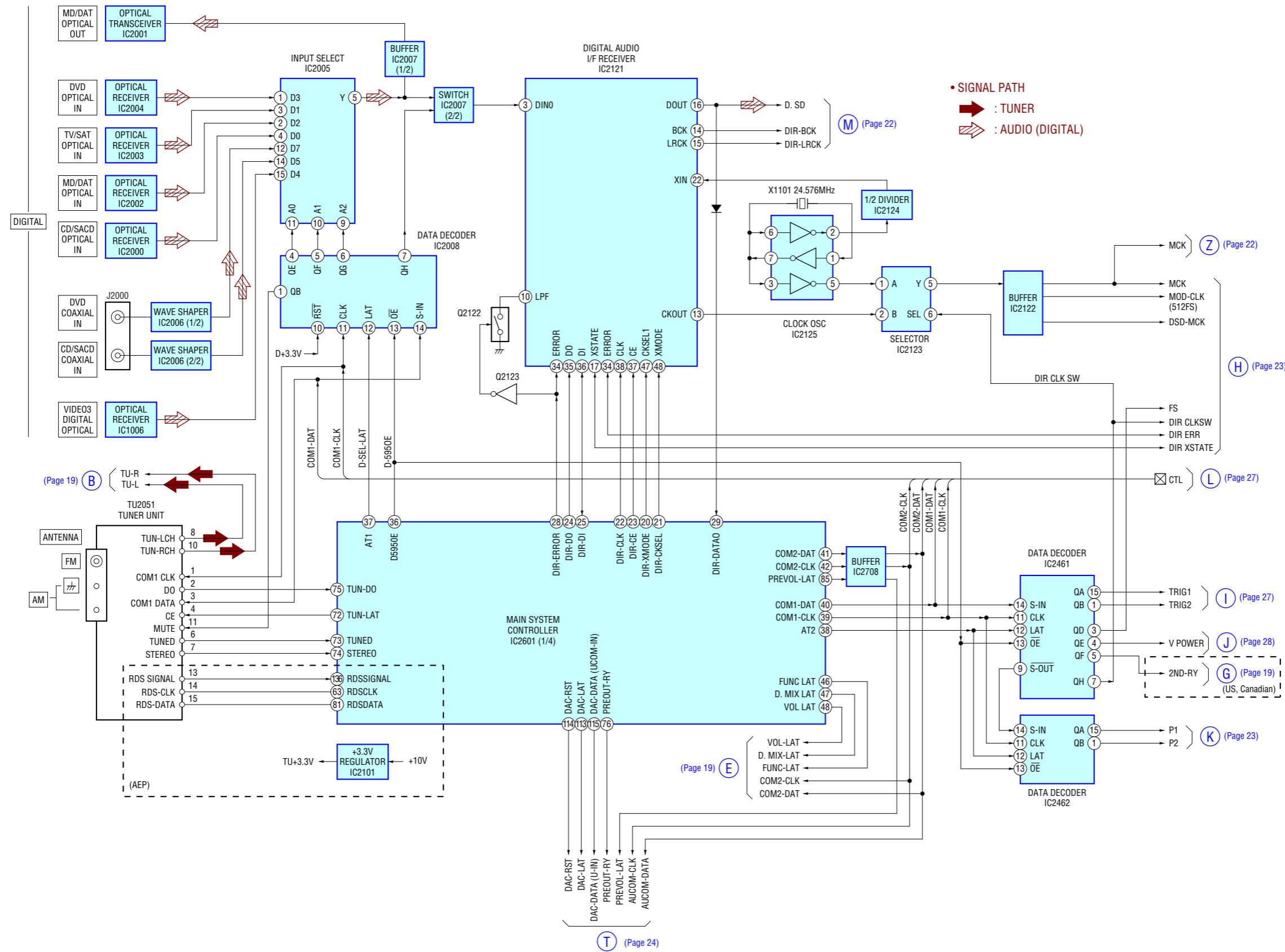
6-1. BLOCK DIAGRAM – AUDIO IN Section –



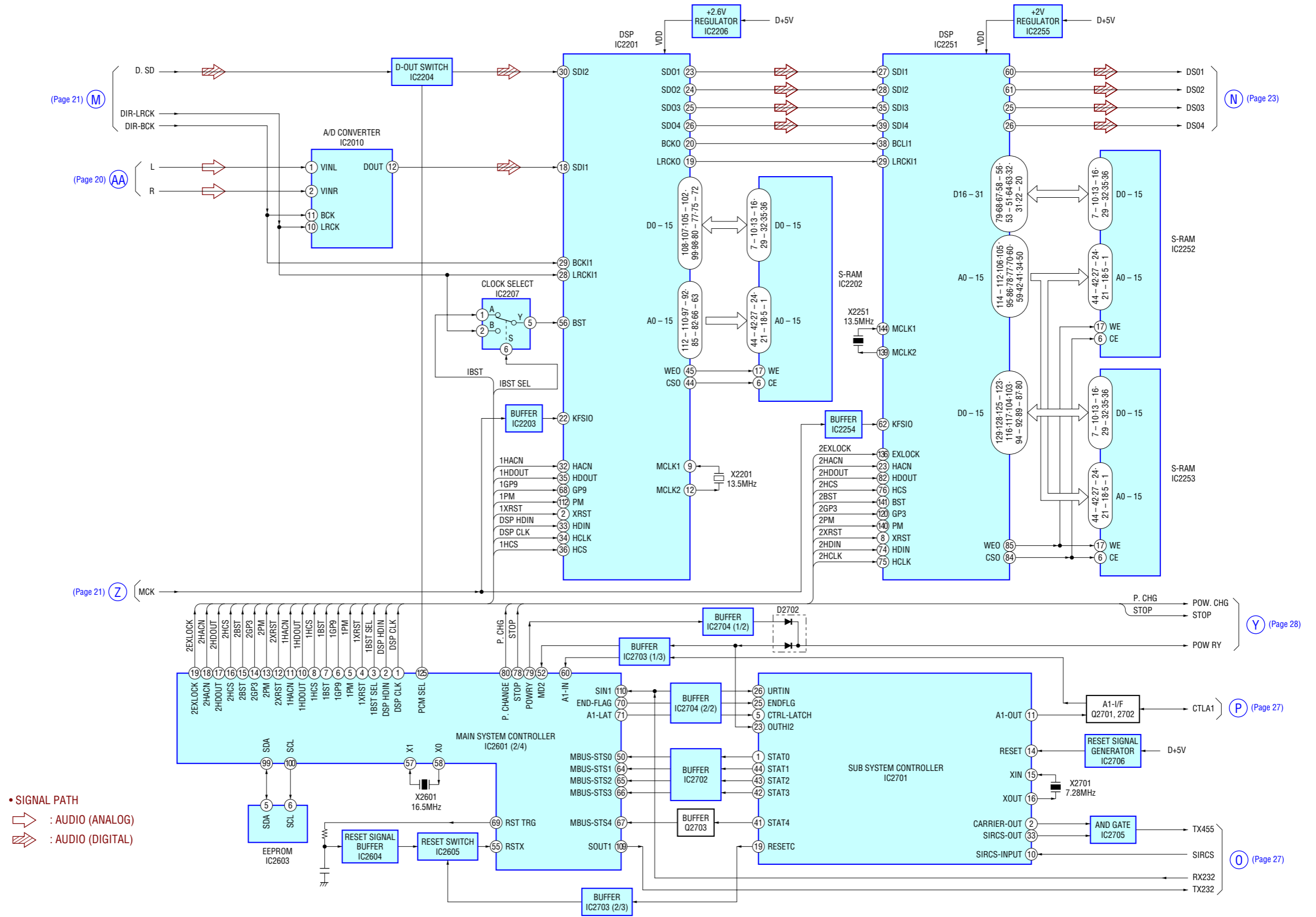
6-2. BLOCK DIAGRAM – ELECTRICAL VOLUME Section –



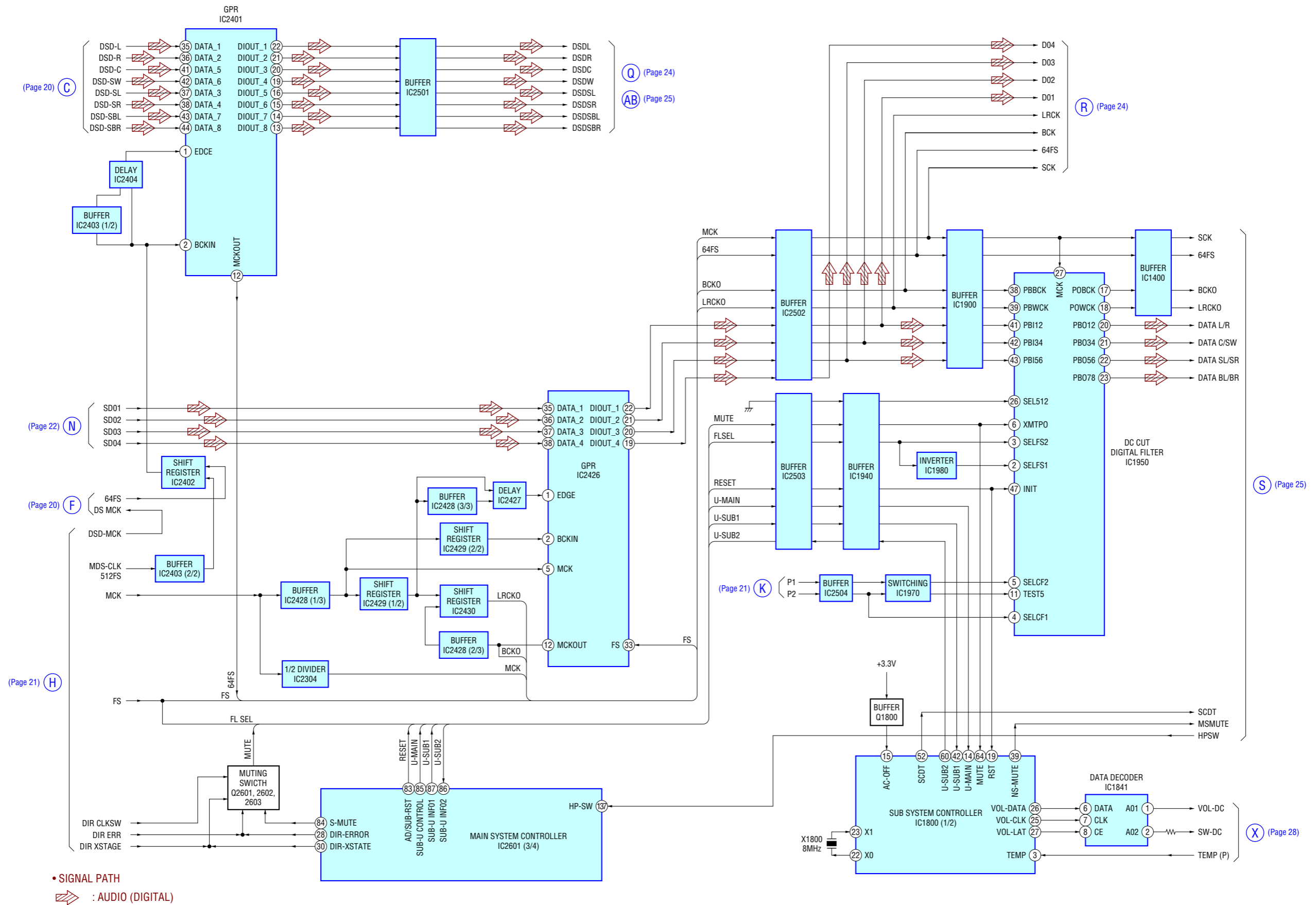
6-3. BLOCK DIAGRAM – DIGITAL 1 Section –



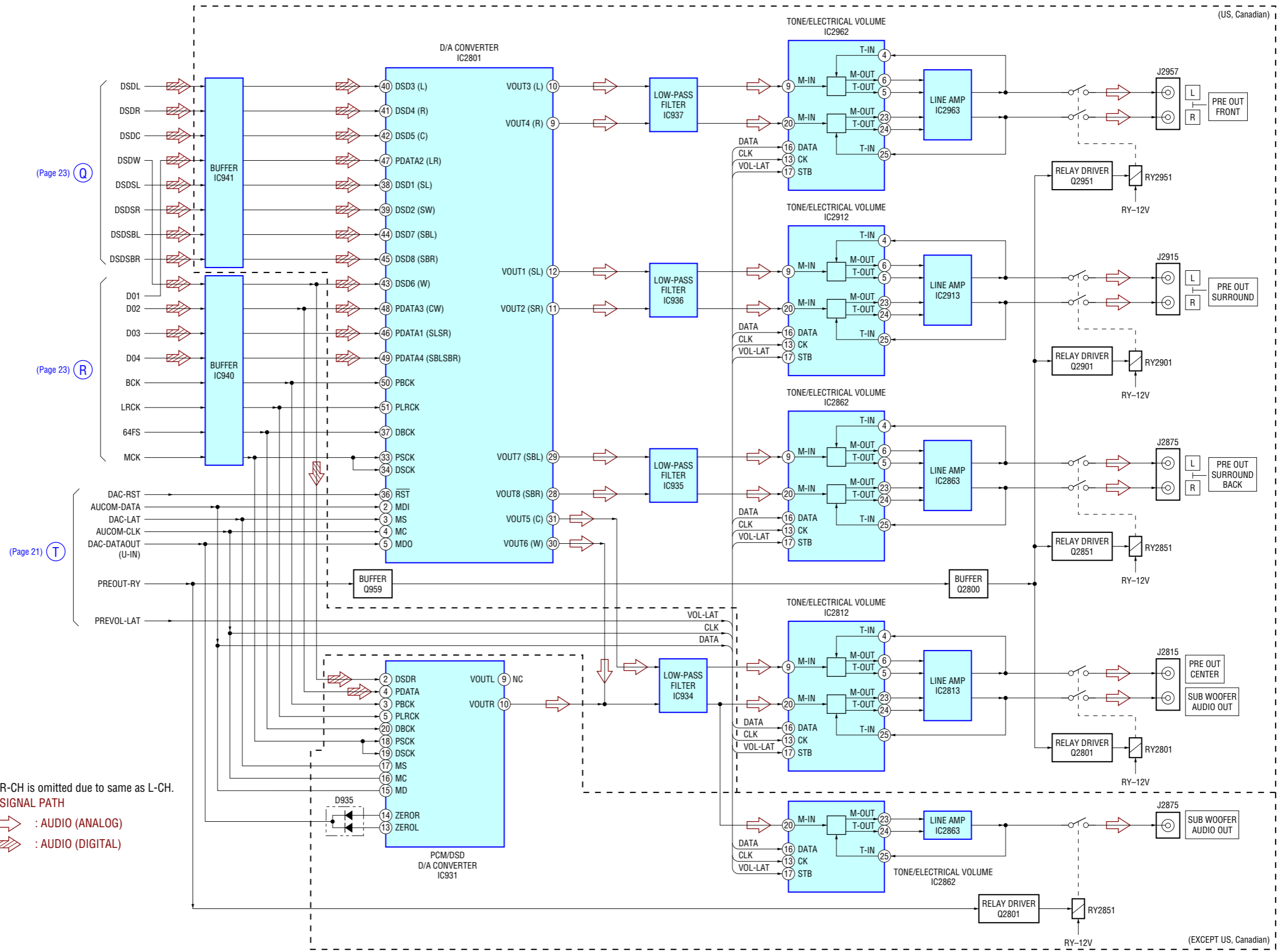
6-4. BLOCK DIAGRAM – DIGITAL 2 Section –



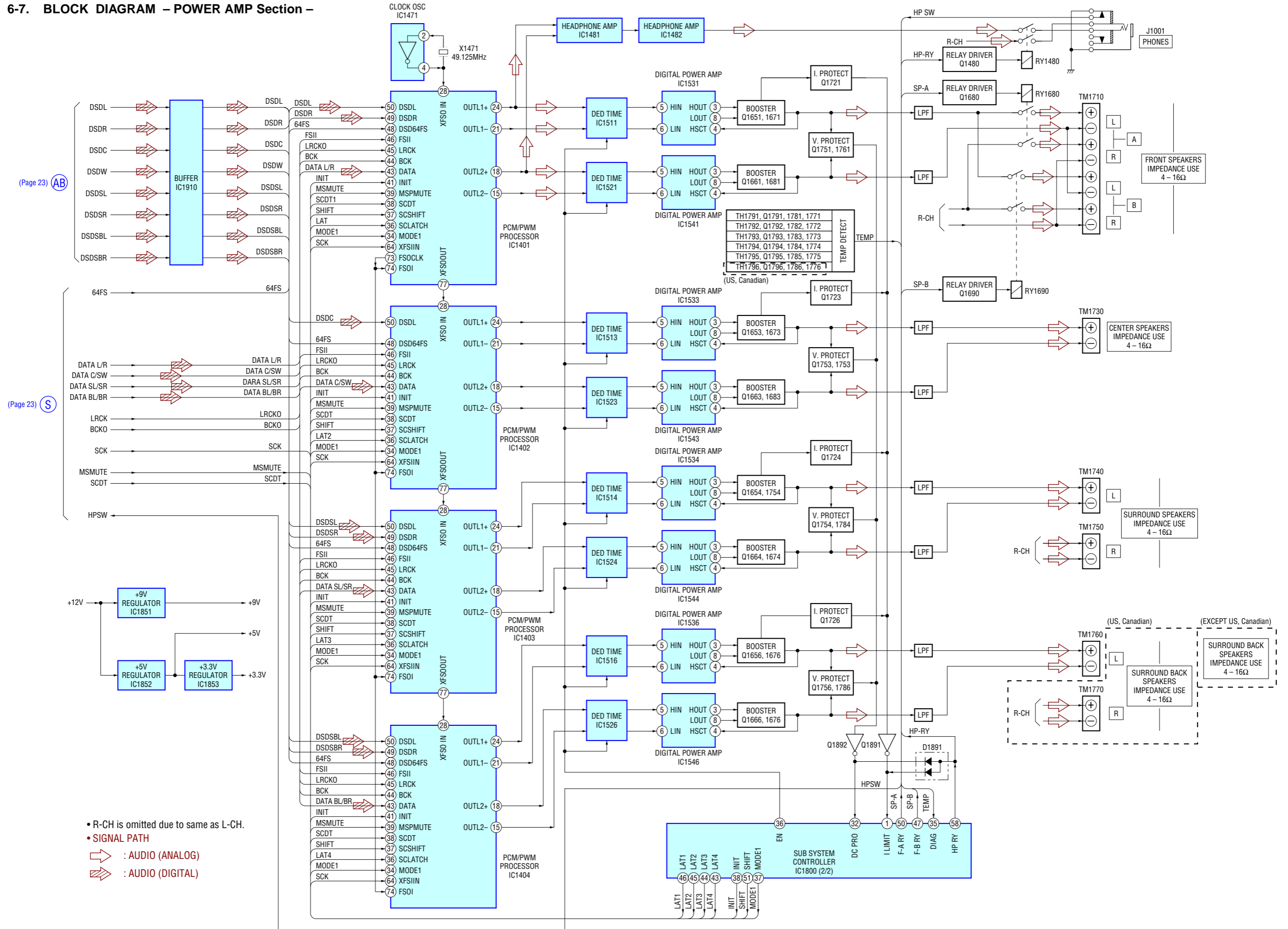
6-5. BLOCK DIAGRAM – DIGITAL 3 Section –



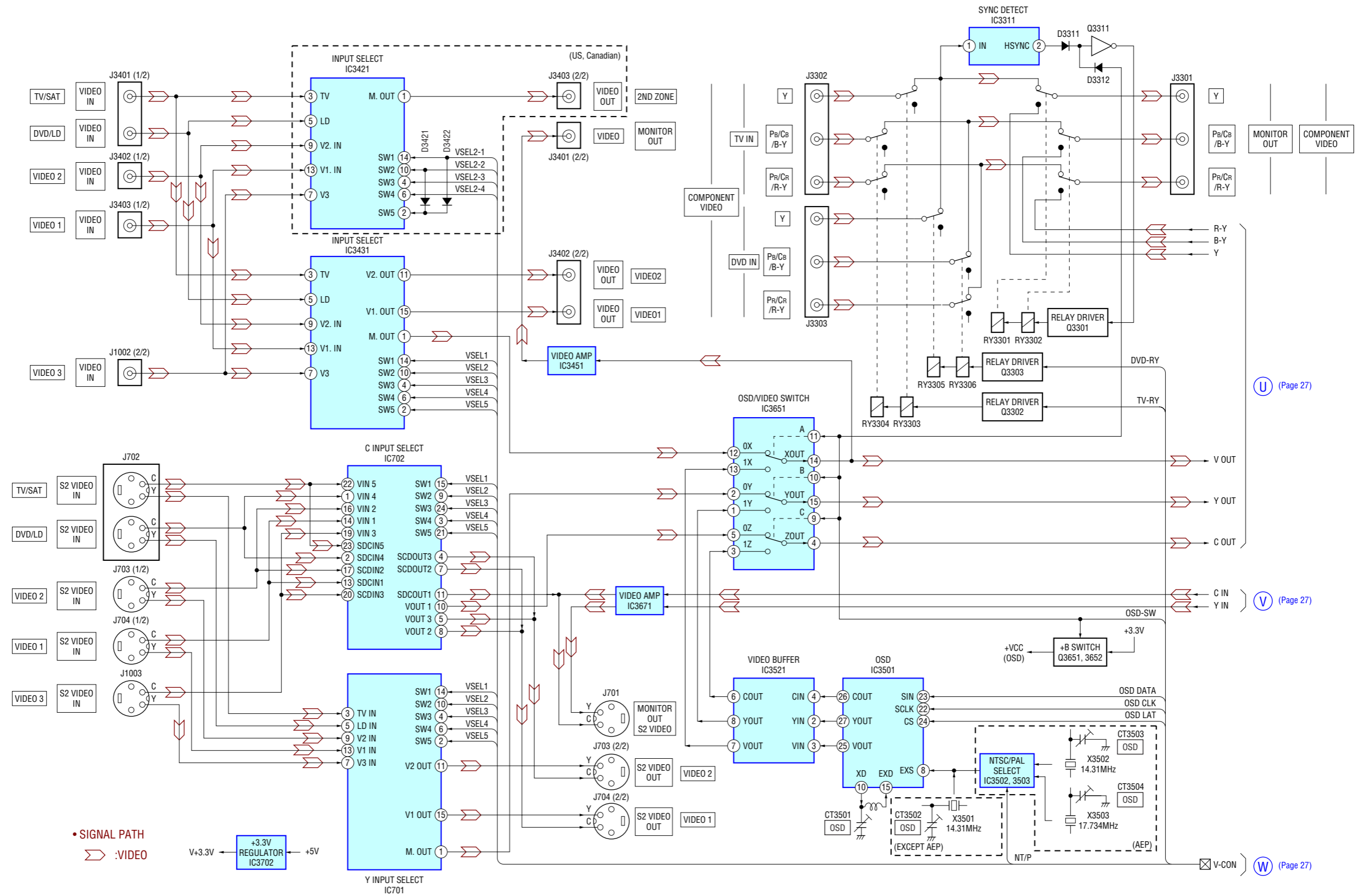
6-6. BLOCK DIAGRAM – PRE OUT Section –



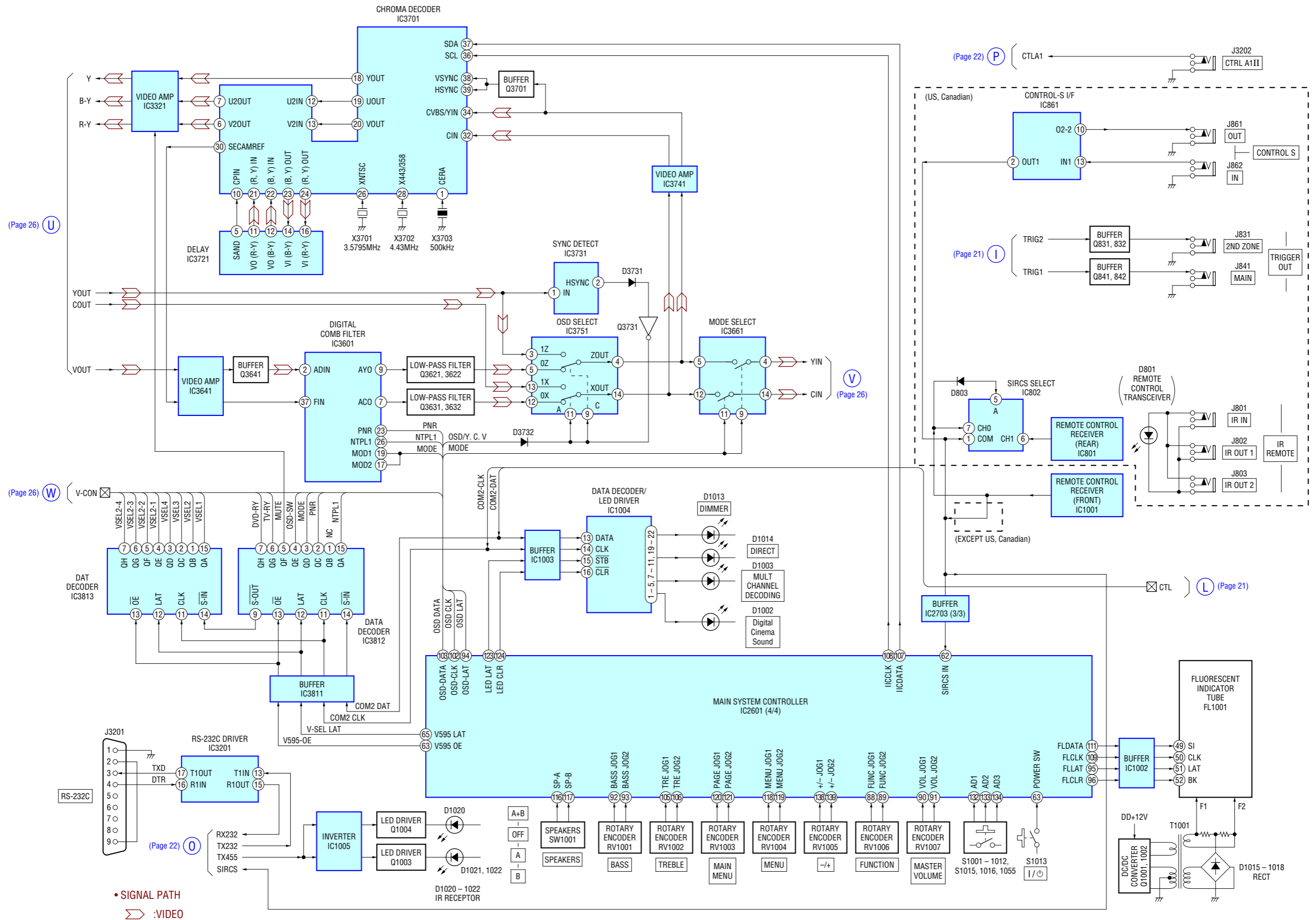
6-7. BLOCK DIAGRAM – POWER AMP Section –



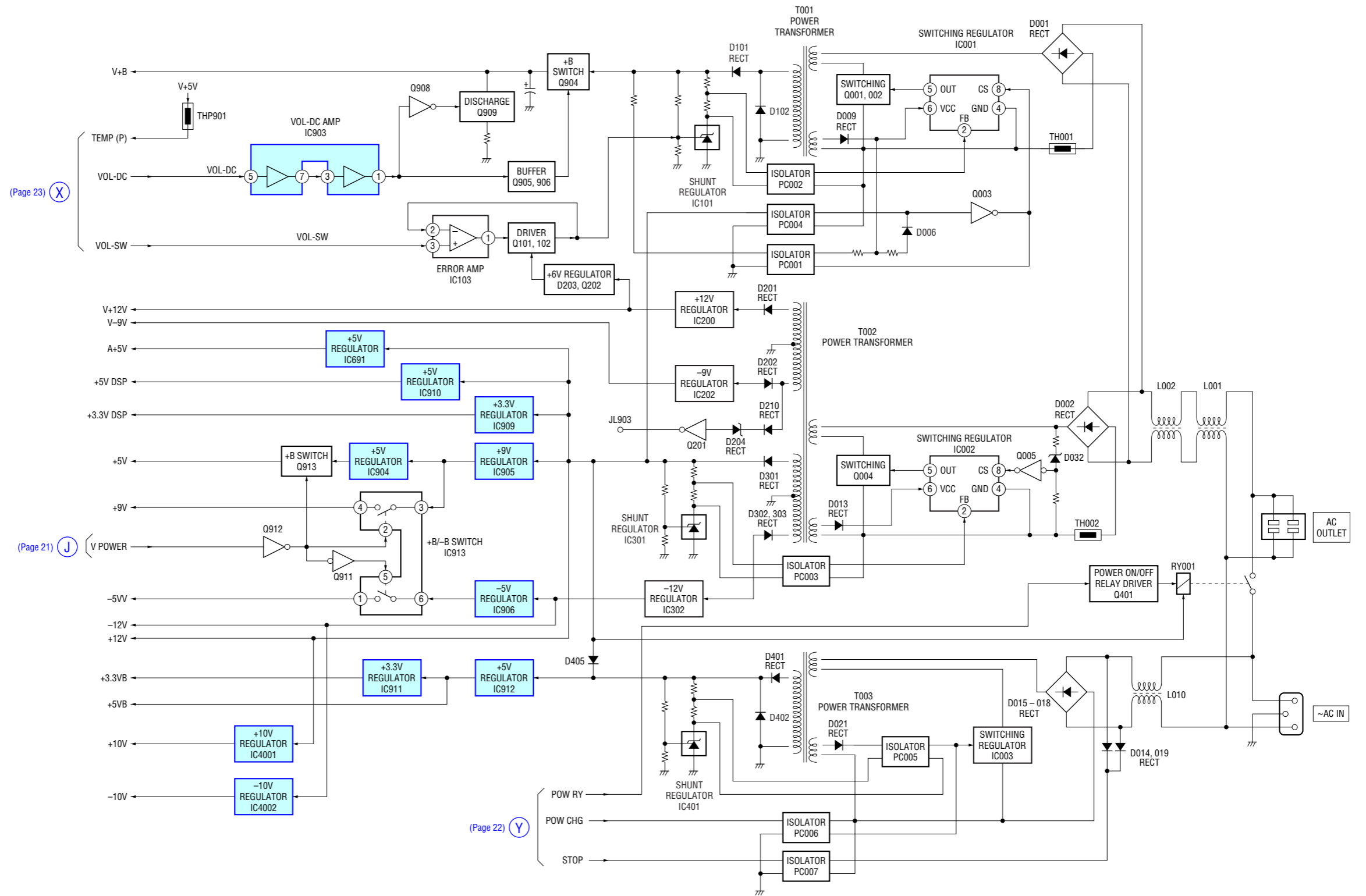
6-8. BLOCK DIAGRAM – VIDEO IN Section –



6-9. BLOCK DIAGRAM – CIS/DISPLAY Section –



6-10. BLOCK DIAGRAM – POWER SUPPLY Section –



6-11. NOTE FOR PRINTED WIRING BOARDS AND SCHEMATIC DIAGRAMS

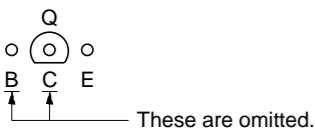
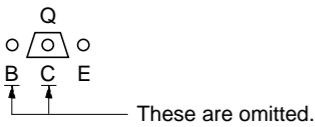
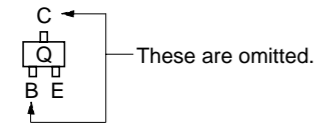
Note on Printed Wiring Board:

- : parts extracted from the component side.
- : parts extracted from the conductor side.
- : Through hole.
- △ : internal component.
- : Pattern from the side which enables seeing. (The other layers' patterns are not indicated.)

Caution:

Pattern face side: Parts on the pattern face side seen from the pattern face are indicated.
 (Conductor Side)
 Parts face side: Parts on the parts face side seen from the parts face are indicated.
 (Component Side)

Indication of transistor



- ANALOG SUB, DIGITAL, D-AMP and REG boards are multi-layer printed board. However, the patterns of intermediate layers have not been included in this diagrams.

Note on Schematic Diagram:

- All capacitors are in μF unless otherwise noted. pF: μpF 50 WV or less are not indicated except for electrolytics and tantalums.
- All resistors are in Ω and $1/4\text{W}$ or less unless otherwise specified.
- △ : internal component.
- : nonflammable resistor.
- : panel designation.

Note:

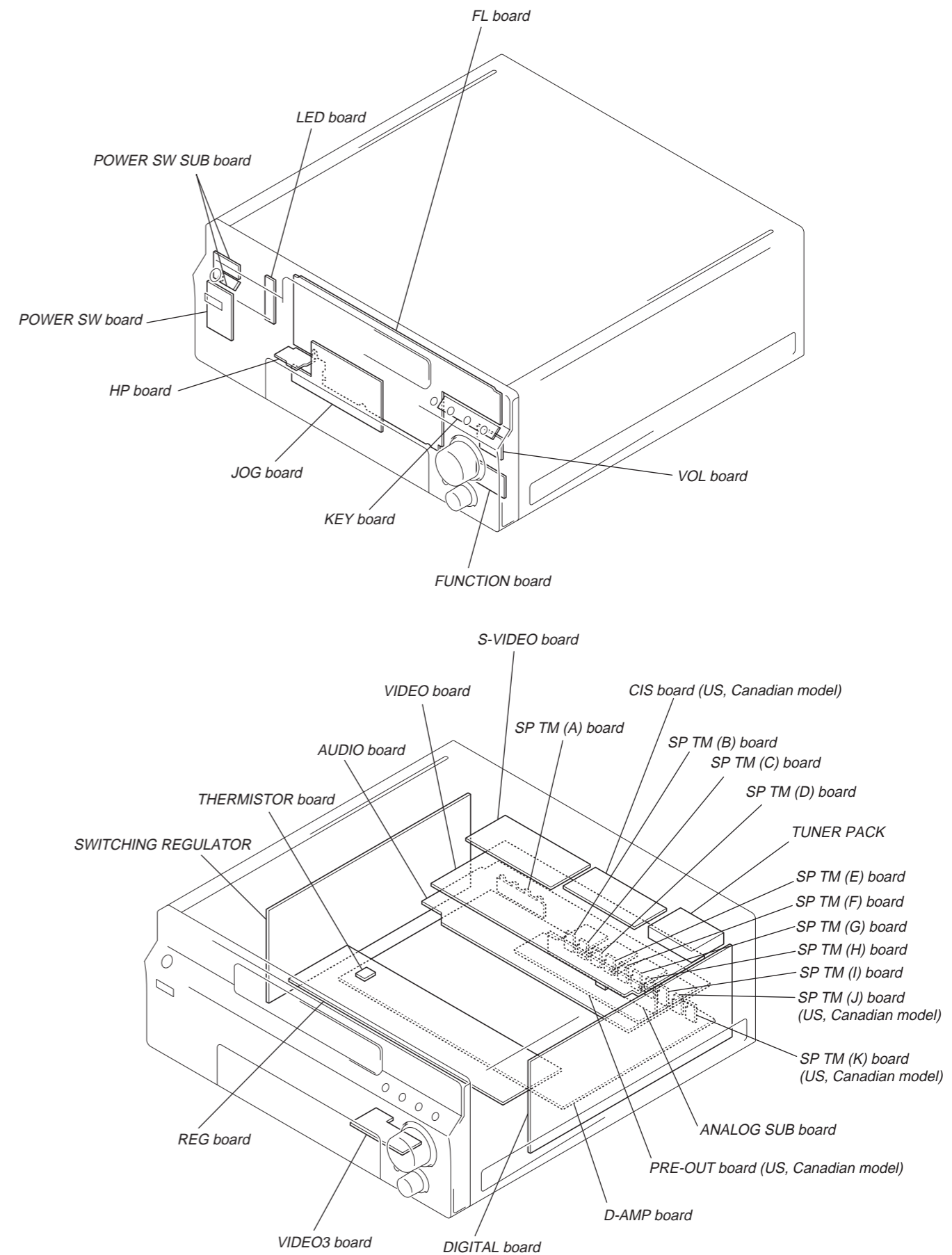
The components identified by mark △ or dotted line with mark △ are critical for safety. Replace only with part number specified.


Note:

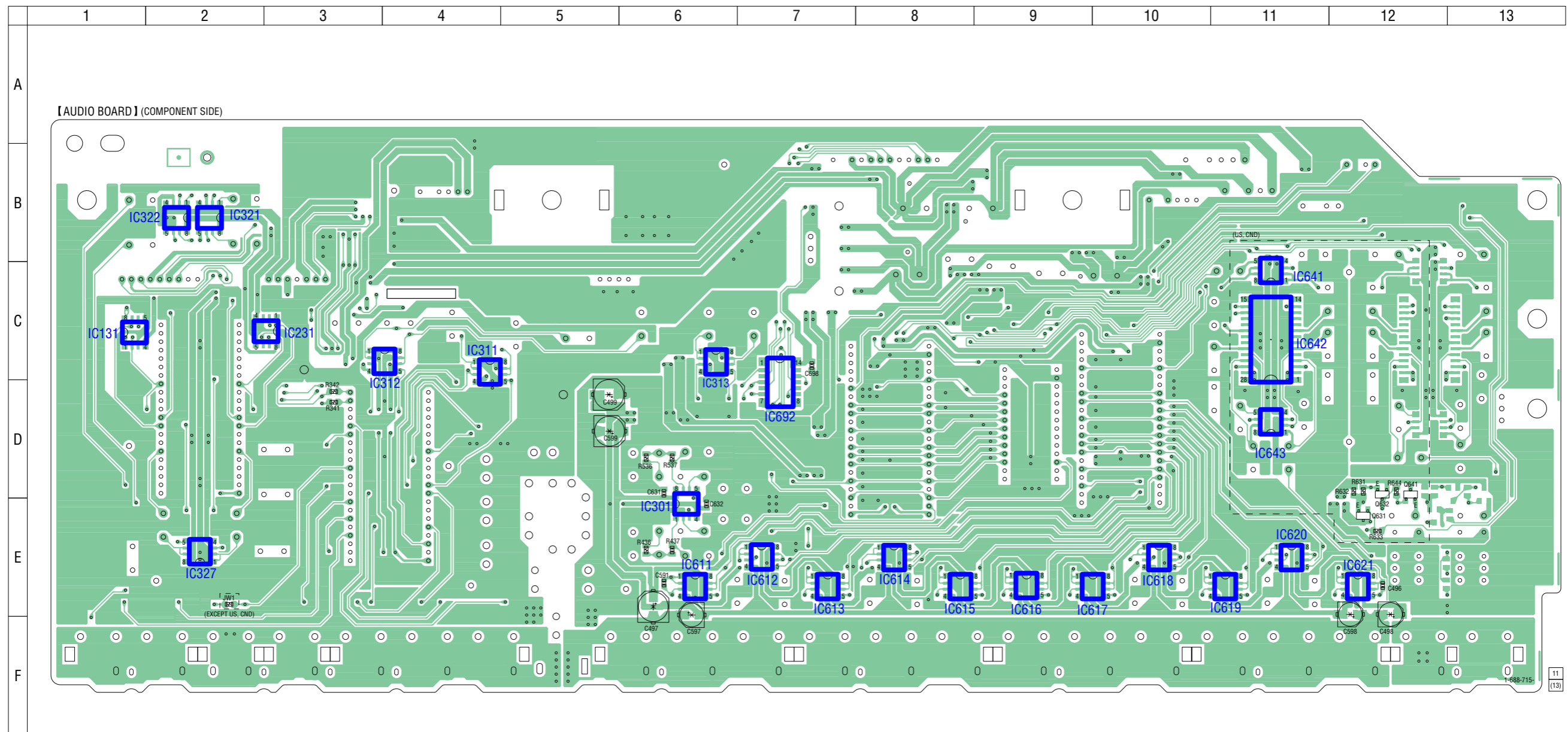
Les composants identifiés par une marque △ sont critiques pour la sécurité. Ne les remplacer que par une pièce portant le numéro spécifié.

- : B+ Line.
- - - : B- Line.
- : adjustment for repair.
- Voltages and waveforms are dc with respect to ground under no-signal (detuned) conditions.
 - VIDEO, S-VIDEO boards – no mark : VIDEO 1 mode (NTSC color bar input)
 - Other boards – no mark : TUNER
- Voltages are taken with a VOM (Input impedance 10 M Ω). Voltage variations may be noted due to normal production tolerances.
- Waveforms are taken with a oscilloscope. Voltage variations may be noted due to normal production tolerances.
- Circled numbers refer to waveforms.
- Signal path.
 - ➡ : TUNER
 - ➡ : AUDIO (ANALOG)
 - ➡ : AUDIO (DIGITAL)
 - ➡ : VIDEO
- Abbreviation
 - CND : Canadian model
 - KR : Korean model
 - TW : Taiwan model

Circuit Boards Location




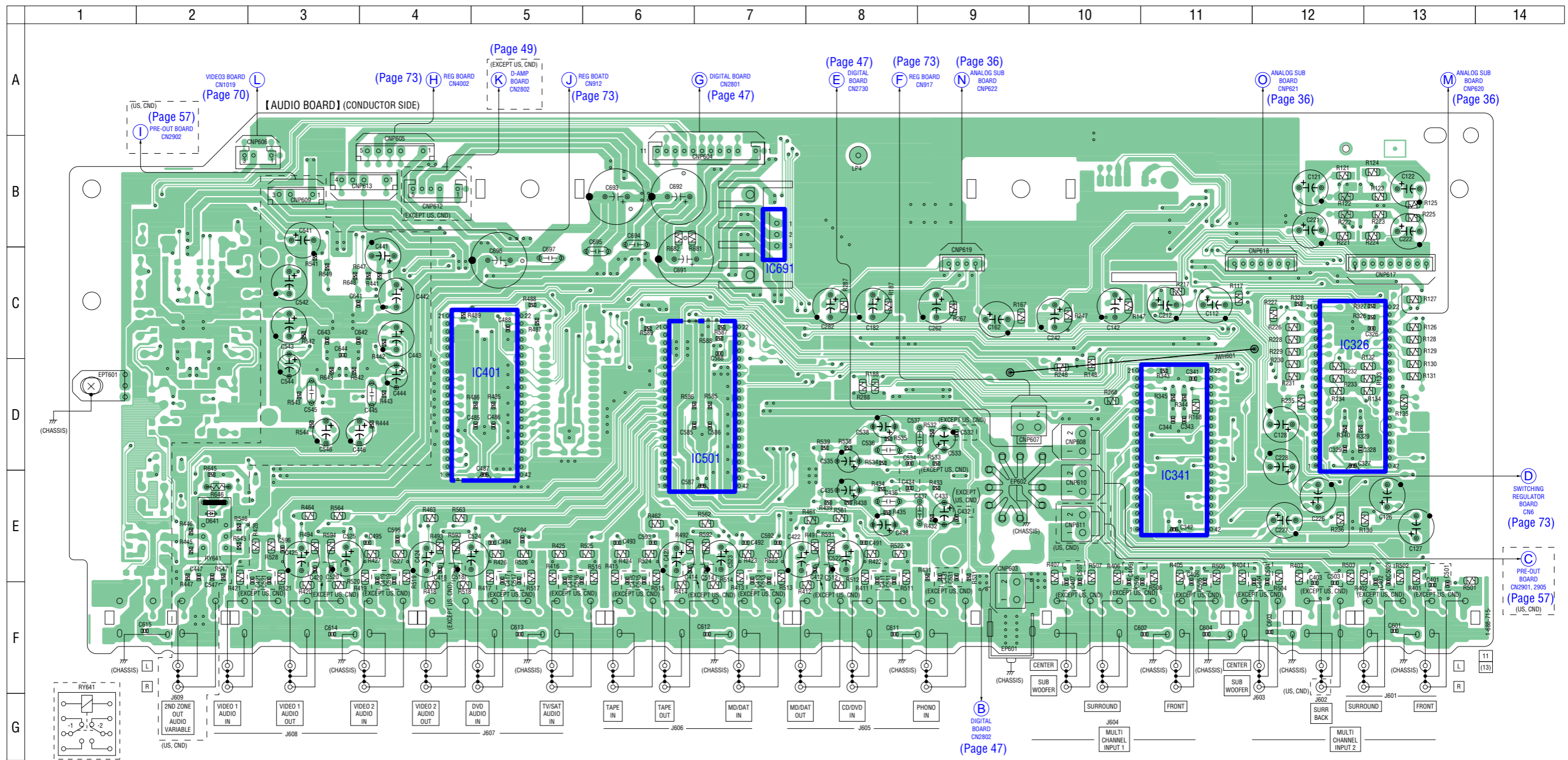
6-12. PRINTED WIRING BOARD – AUDIO Board (Component Side) – • See page 29 for Circuit Boards Location.  :Uses unleaded solder.



• Semiconductor Location

Ref. No.	Location	Ref. No.	Location
IC131	A-1	IC616	E-9
IC231	C-3	IC617	E-10
IC301	E-6	IC618	E-10
IC311	C-4	IC619	E-11
IC312	C-4	IC620	E-11
IC313	C-6	IC621	E-12
IC321	B-2	IC641	C-11
IC322	B-2	IC642	C-11
IC327	E-2	IC643	D-11
IC611	E-6	IC692	D-7
IC612	E-7		
IC613	E-7	Q631	D-12
IC614	E-8	Q632	D-12
IC615	E-8	Q641	D-12

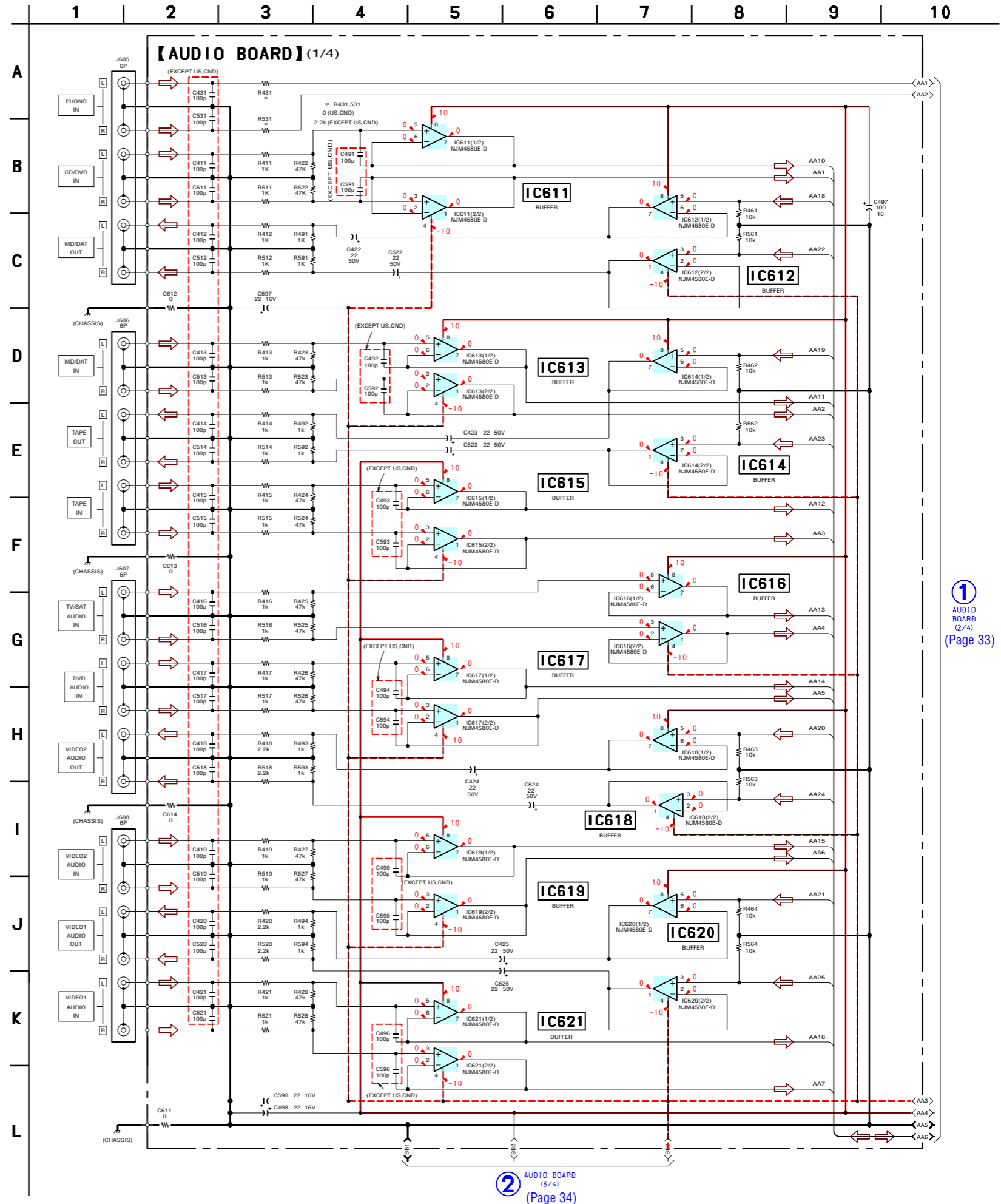
6-13. PRINTED WIRING BOARD – AUDIO Board (Conductor Side) – • See page 29 for Circuit Boards Location.  :Uses unleaded solder.



• Semiconductor Location

Ref. No.	Location
D641	E-2
IC326	D-12
IC341	D-11
IC401	D-5
IC501	D-7
IC691	B-7

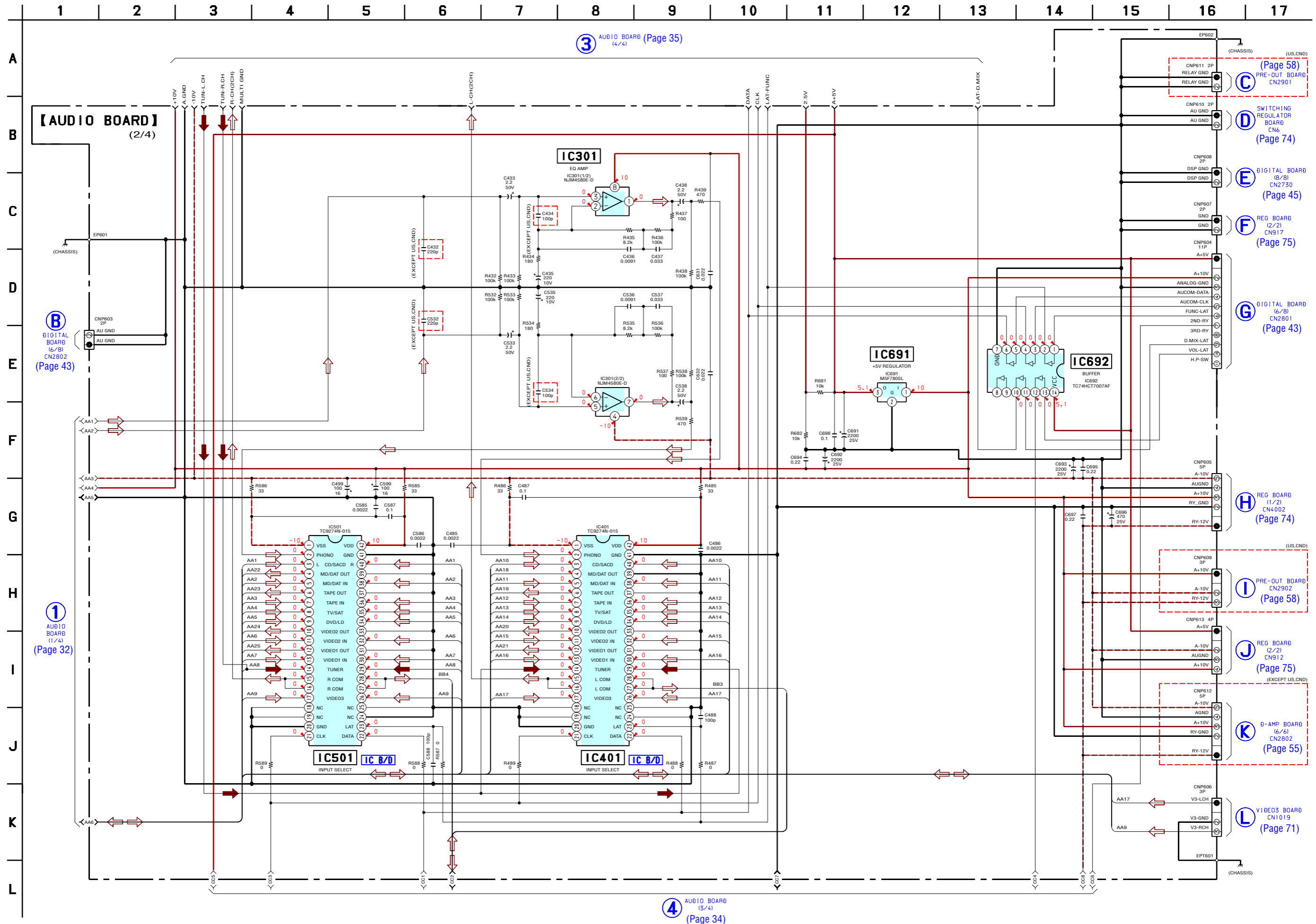
6-14. SCHEMATIC DIAGRAM – AUDIO Board (1/4) –



1
AUDIO BOARD (2/4)
(Page 33)

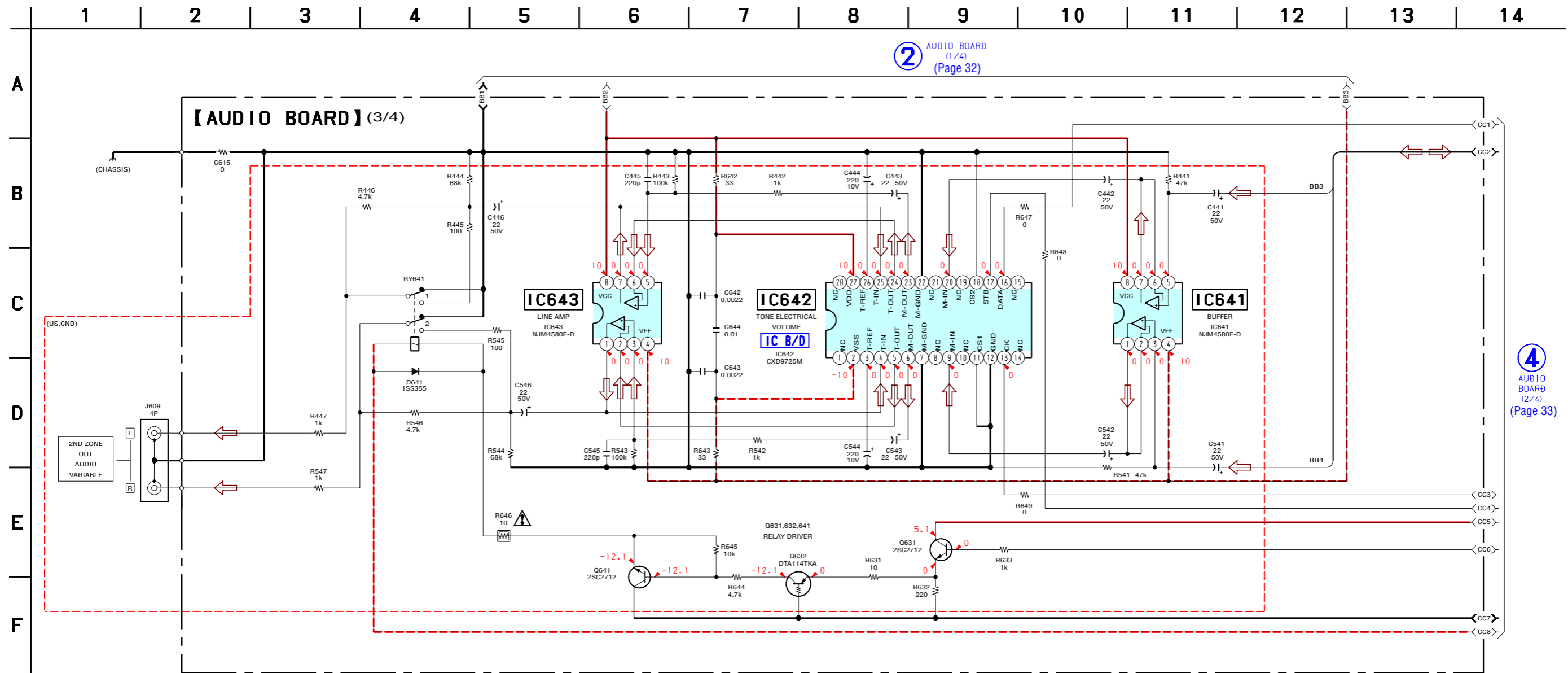
2
AUDIO BOARD (3/4)
(Page 34)

6-15. SCHEMATIC DIAGRAM – AUDIO Board (2/4) – • See page 77 for IC Block Diagrams.



4 AUDIO BOARD (3/4) (Page 34)

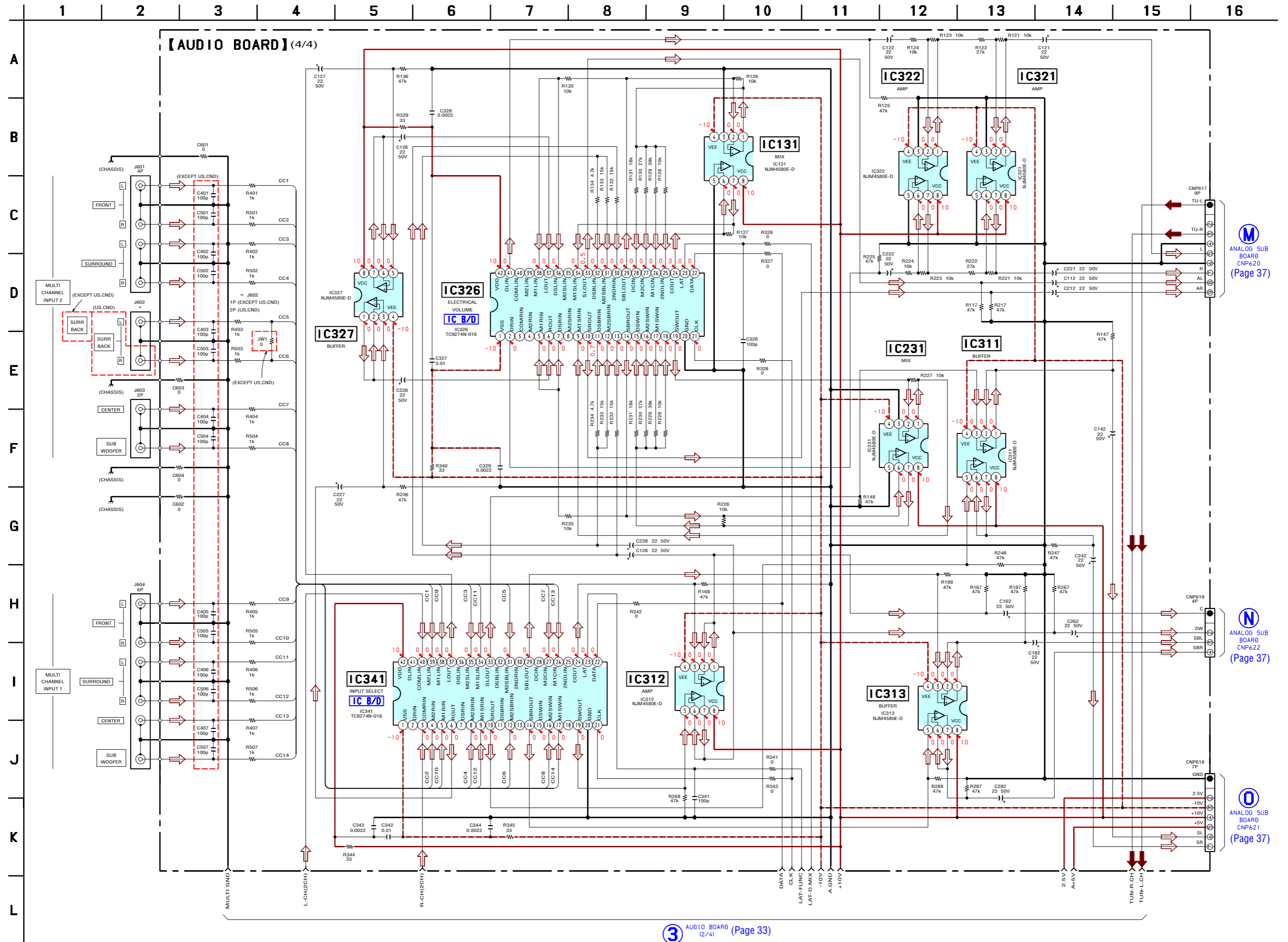
6-16. SCHEMATIC DIAGRAM – AUDIO Board (3/4) – • See page 77 for IC Block Diagram.



The components identified by mark \triangle or dotted line with mark \triangle are critical for safety. Replace only with part number specified.

Les composants identifiés par une marque \triangle sont critiques pour la sécurité. Ne les remplacer que par une pièce portant le numéro spécifié.

6-17. SCHEMATIC DIAGRAM – AUDIO Board (4/4) – • See page 77 for IC Block Diagrams.

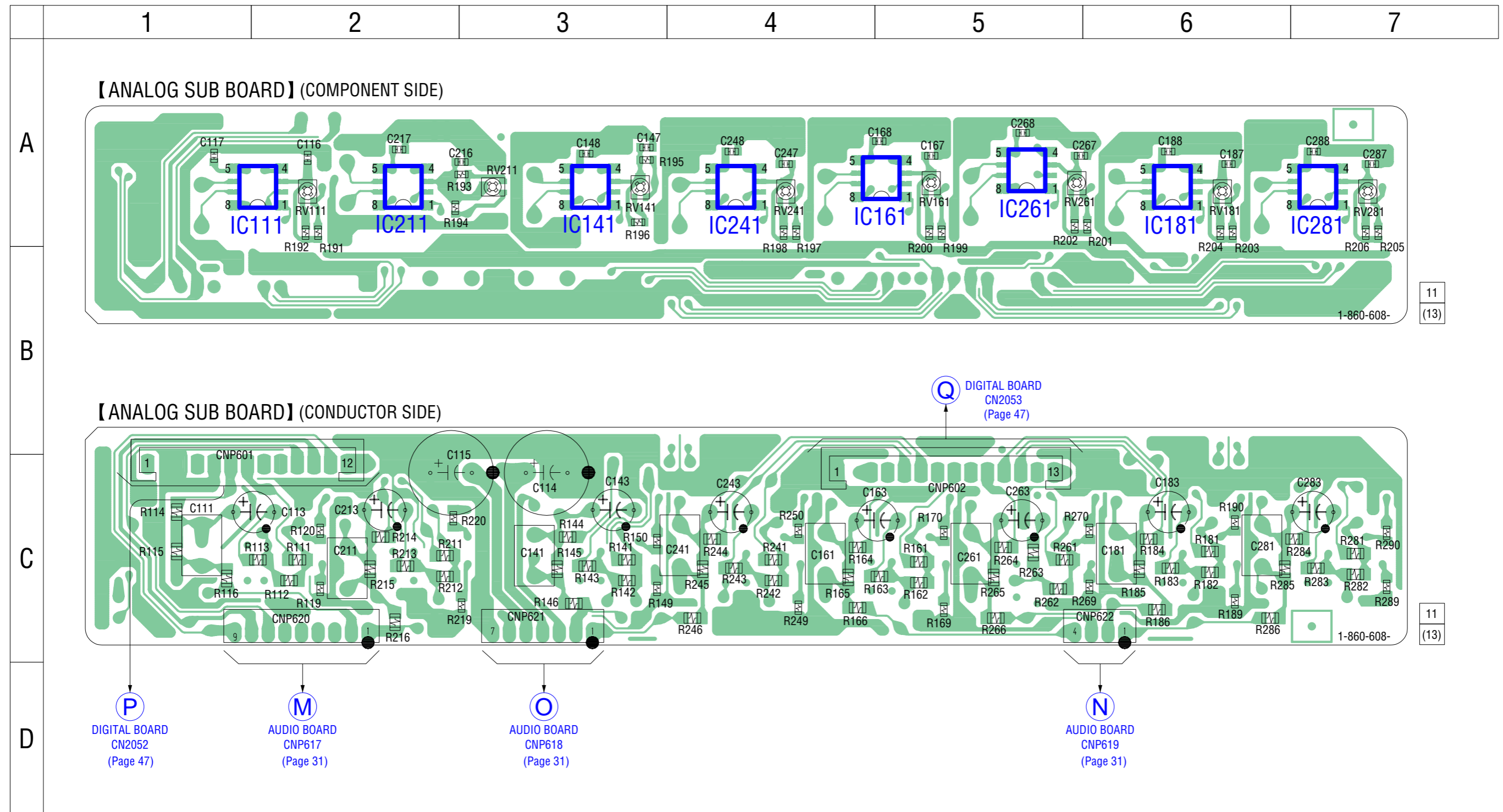


ANALOG SUB BOARD CNP620 (Page 37)

ANALOG SUB BOARD CNP622 (Page 37)

ANALOG SUB BOARD CNP621 (Page 37)

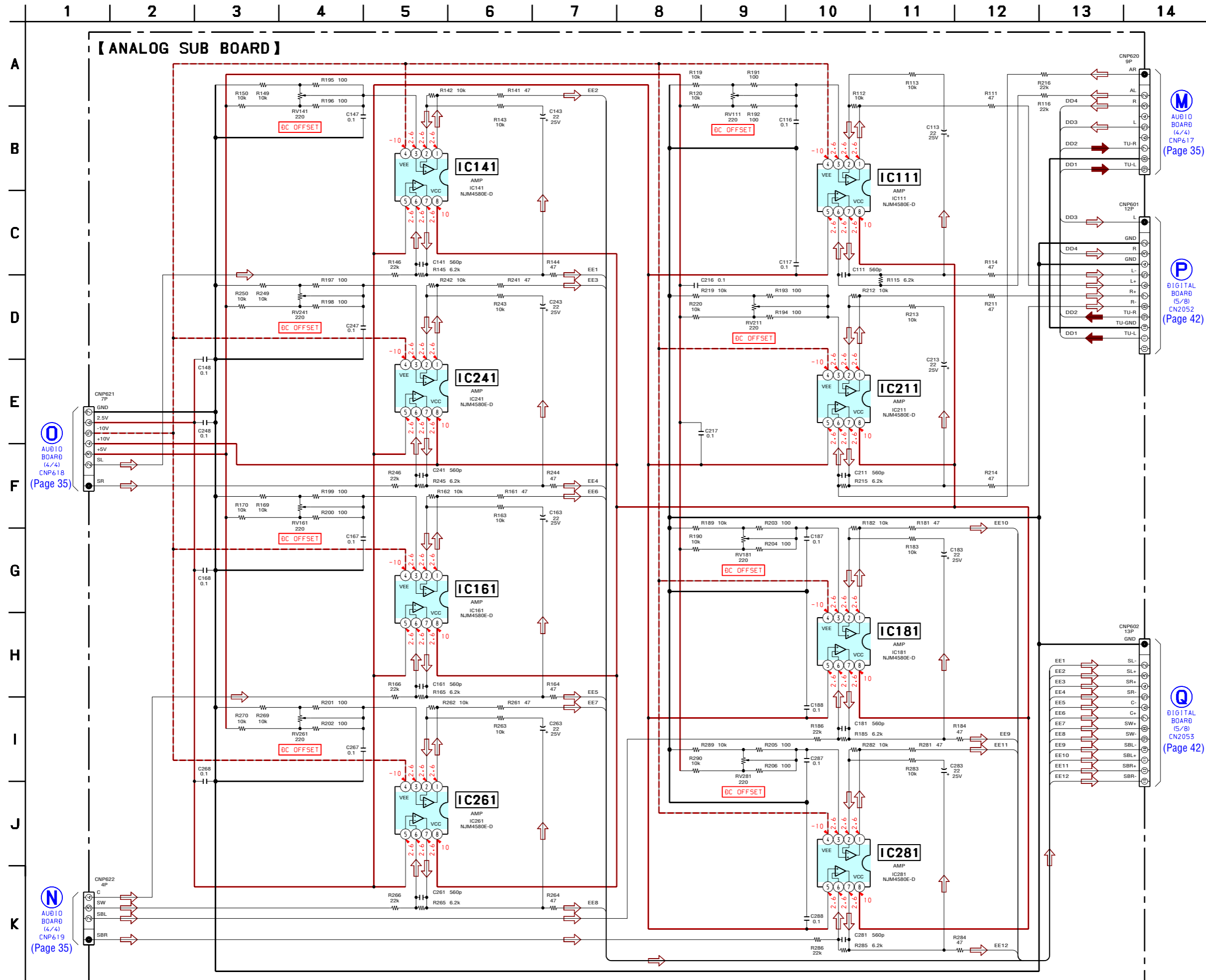
6-18. PRINTED WIRING BOARD – ANALOG SUB Board – • See page 29 for Circuit Boards Location.  :Uses unleaded solder.



• Semiconductor Location

Ref. No.	Location
IC111	A-1
IC141	A-3
IC161	A-5
IC181	A-6
IC211	A-2
IC241	A-4
IC261	A-5
IC281	A-7

6-19. SCHEMATIC DIAGRAM – ANALOG SUB Board –



M
AUDIO BOARD (4/4)
CNP617
(Page 35)

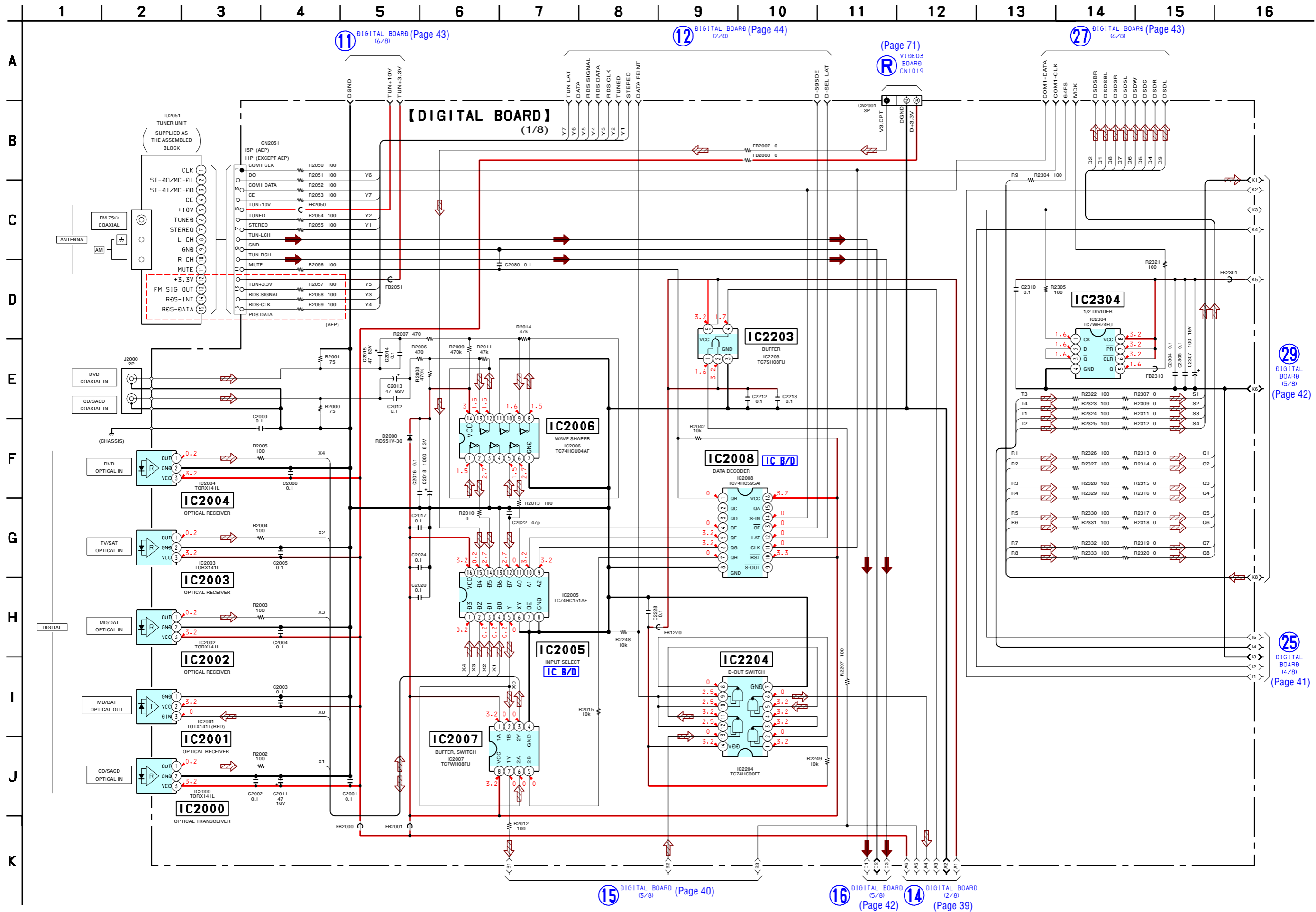
P
DIGITAL BOARD (5/8)
CN2052
(Page 42)

Q
DIGITAL BOARD (5/8)
CN2053
(Page 42)

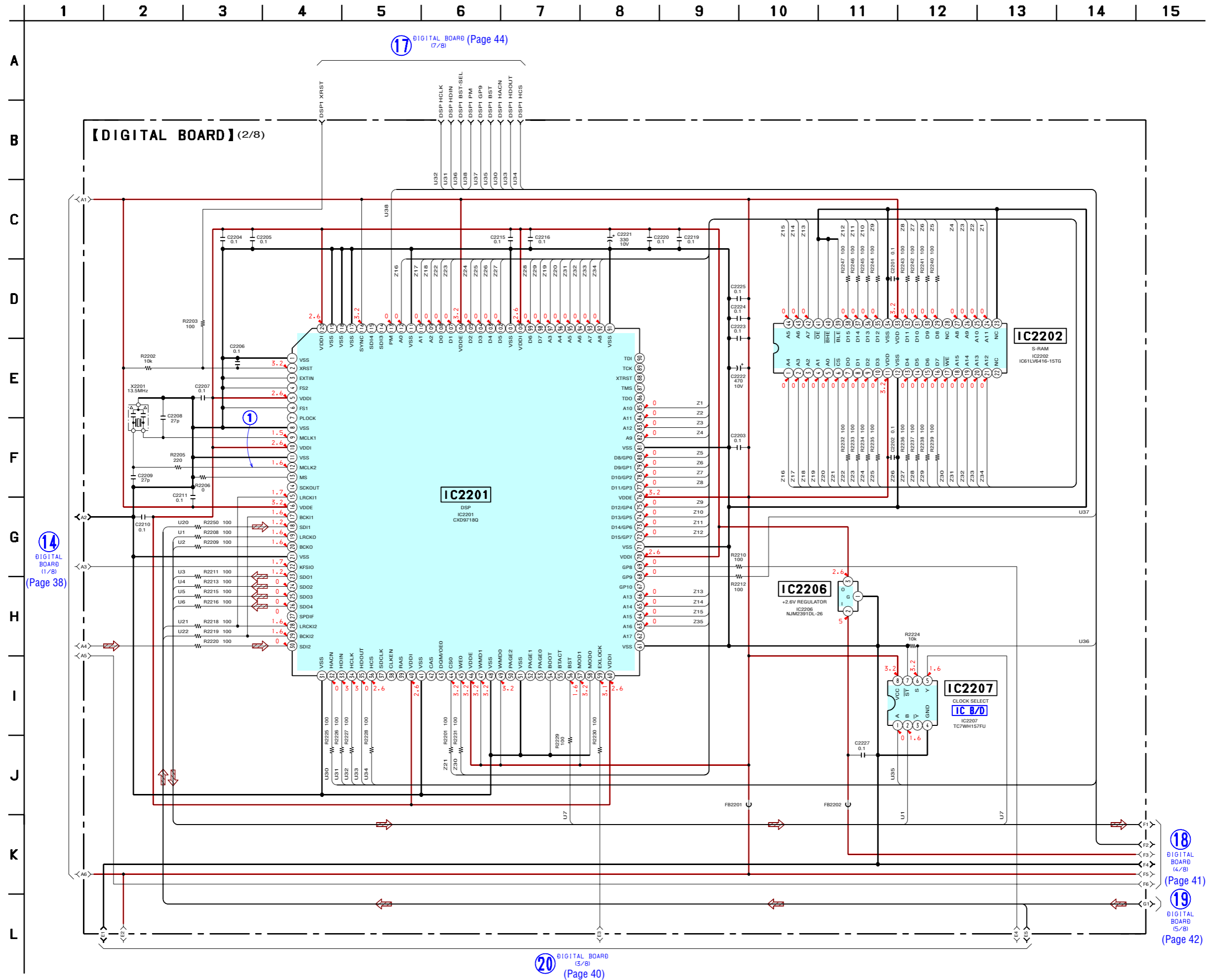
O
AUDIO BOARD (4/4)
CNP618
(Page 35)

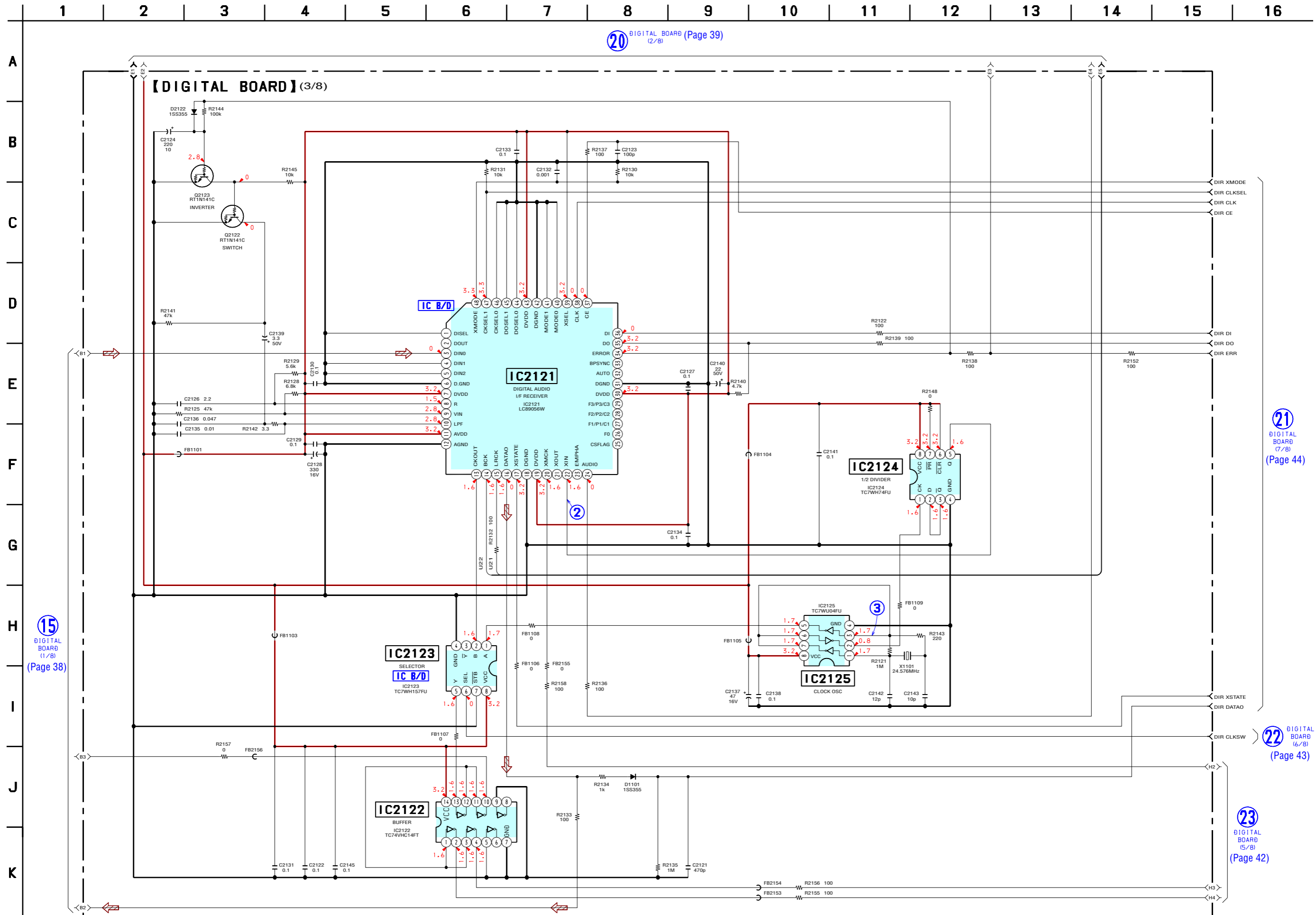
N
AUDIO BOARD (4/4)
CNP619
(Page 35)

6-20. SCHEMATIC DIAGRAM - DIGITAL Board (1/8) - • See page 77 for IC Block Diagrams.



6-21. SCHEMATIC DIAGRAM – DIGITAL Board (2/8) – • See page 76 for Waveform. • See page 77 for IC Block Diagram.





20 DIGITAL BOARD (2/8) (Page 39)

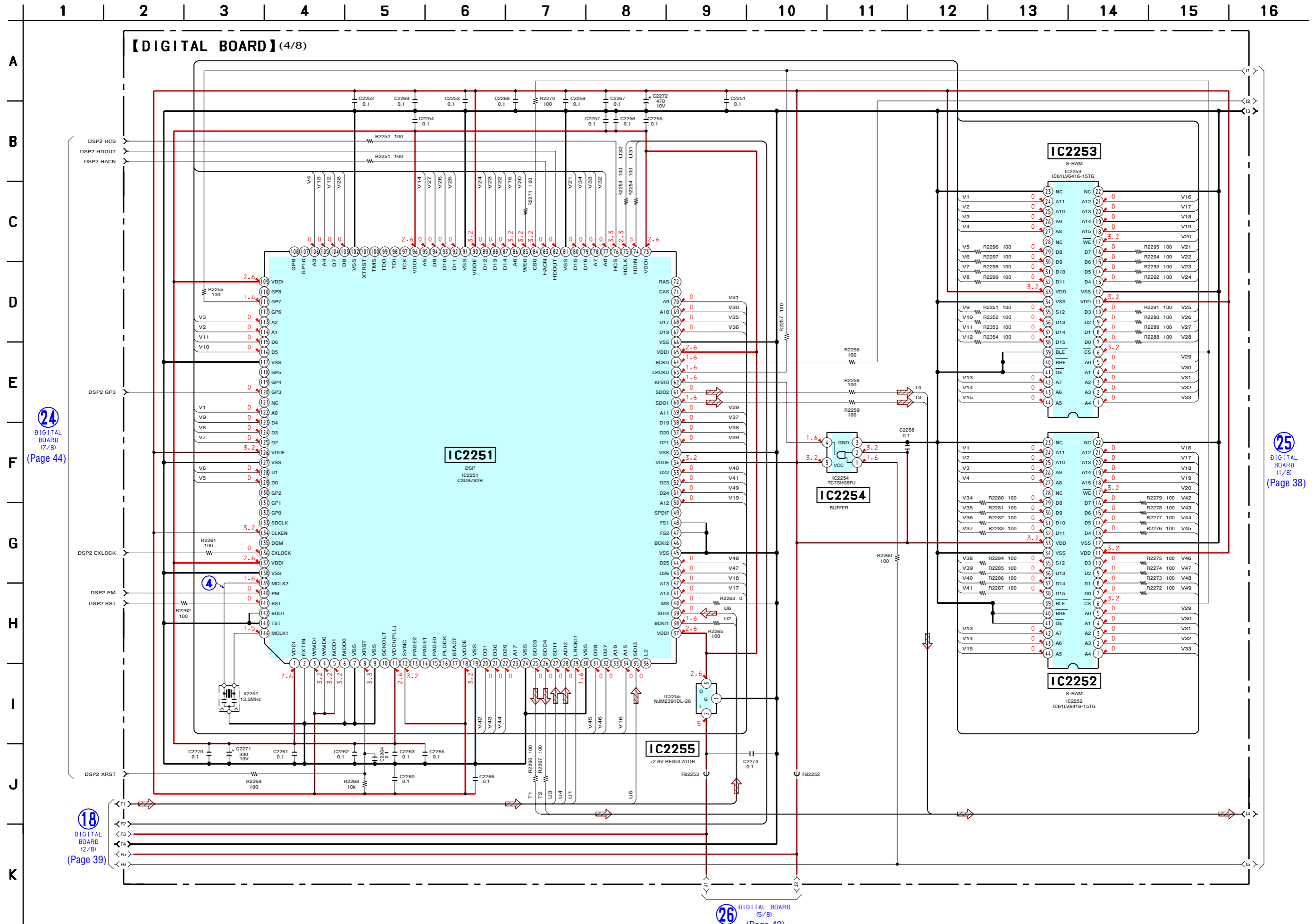
15 DIGITAL BOARD (1/8) (Page 38)

21 DIGITAL BOARD (7/8) (Page 44)

22 DIGITAL BOARD (6/8) (Page 43)

23 DIGITAL BOARD (5/8) (Page 42)

6-23. SCHEMATIC DIAGRAM – DIGITAL Board (4/8) – • See page 76 for Waveform.



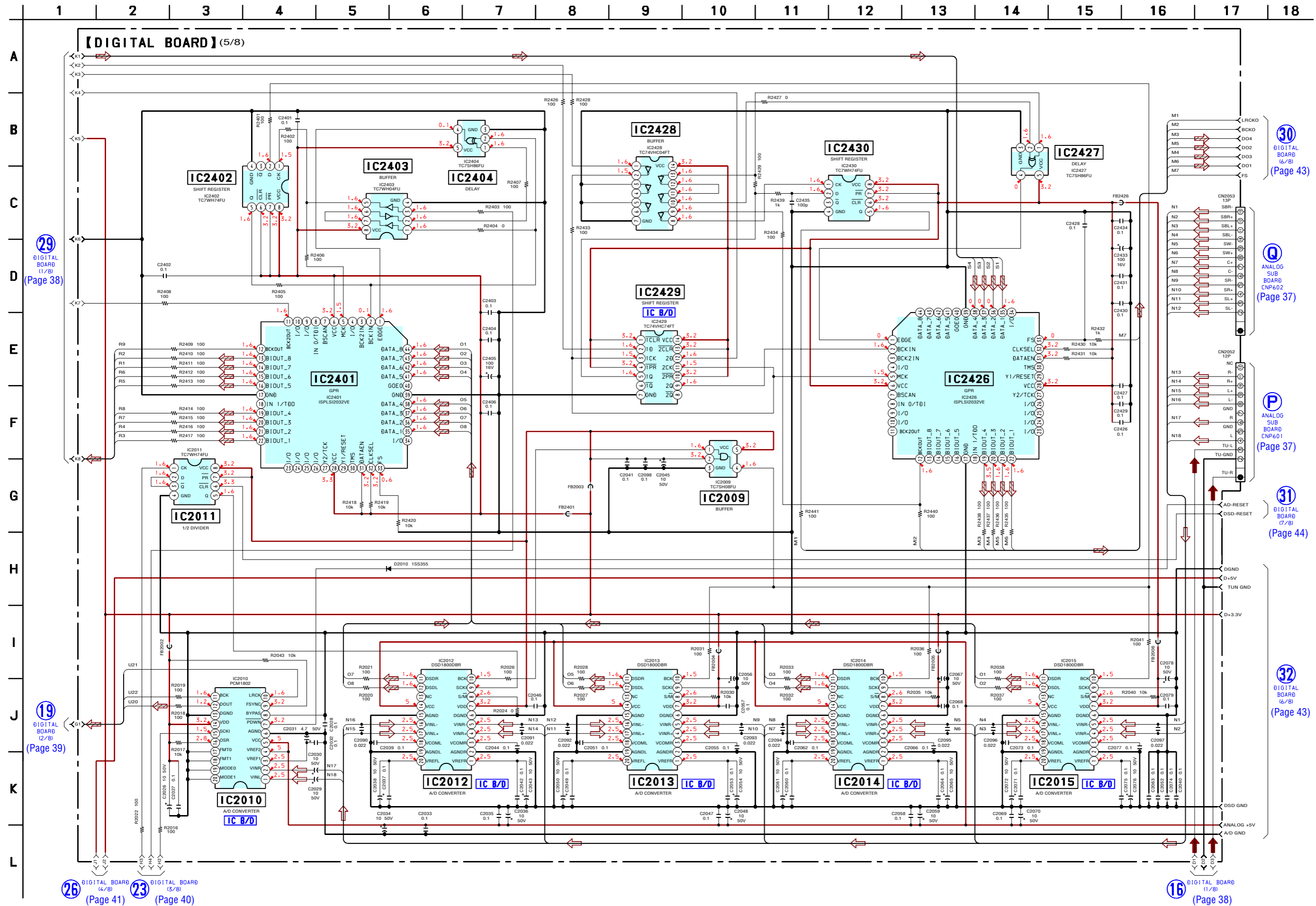
24 DIGITAL BOARD (7/8) (Page 44)

25 DIGITAL BOARD (1/8) (Page 38)

18 DIGITAL BOARD (2/8) (Page 39)

26 DIGITAL BOARD (5/8) (Page 42)

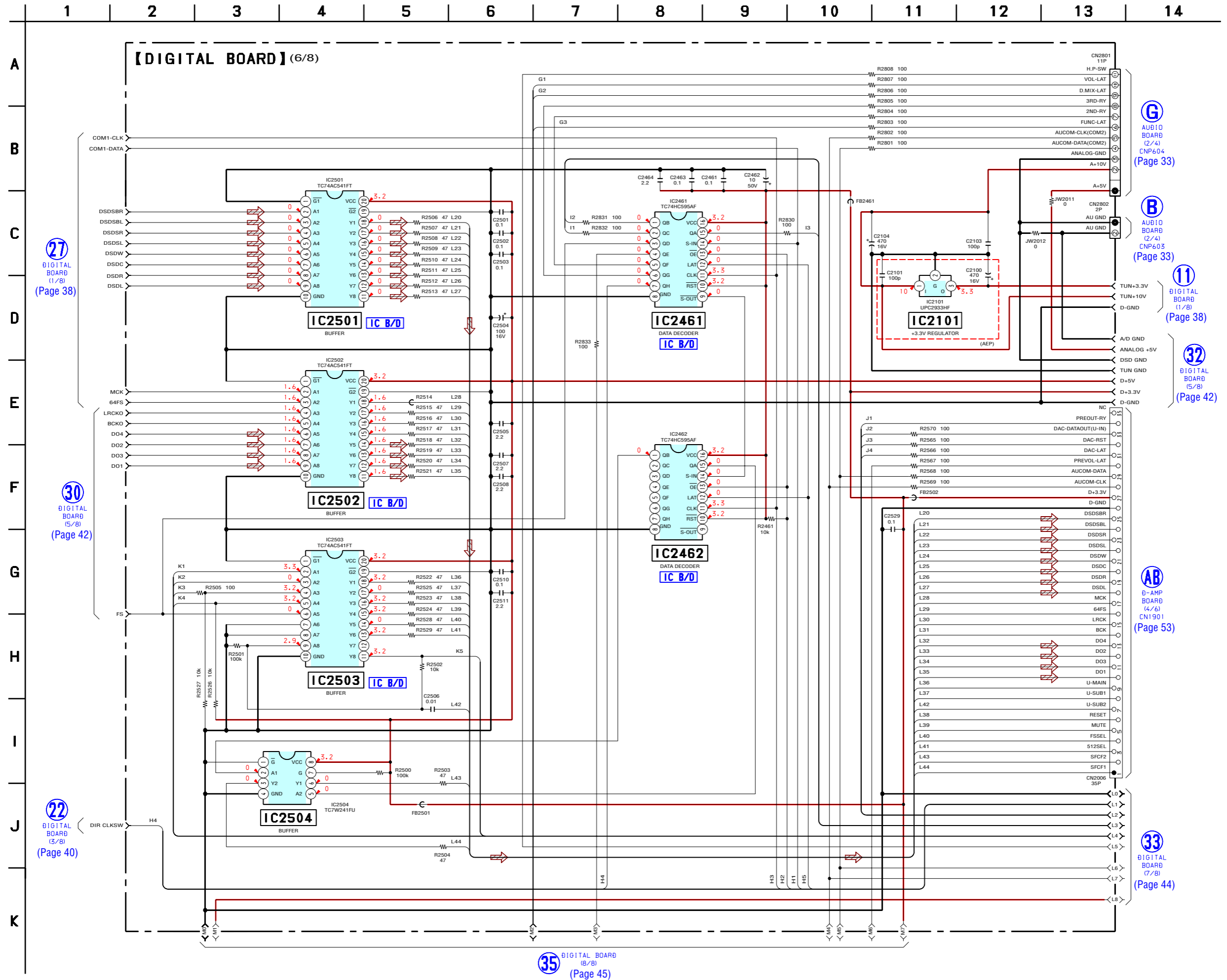
6-24. SCHEMATIC DIAGRAM – DIGITAL Board (5/8) – • See page 77 for IC Block Diagrams.



19 DIGITAL BOARD (2/8) (Page 39)
23 DIGITAL BOARD (3/8) (Page 40)
26 DIGITAL BOARD (4/8) (Page 41)

16 DIGITAL BOARD (1/8) (Page 38)
30 DIGITAL BOARD (6/8) (Page 43)
31 DIGITAL BOARD (7/8) (Page 44)
32 DIGITAL BOARD (6/8) (Page 43)

6-25. SCHEMATIC DIAGRAM – DIGITAL Board (6/8) – • See page 77 for IC Block Diagrams.



27 DIGITAL BOARD (1/8) (Page 38)

30 DIGITAL BOARD (5/8) (Page 42)

22 DIGITAL BOARD (3/8) (Page 40)

35 DIGITAL BOARD (8/8) (Page 45)

G AUDIO BOARD (2/4) CNP604 (Page 33)

B AUDIO BOARD (2/4) CNP603 (Page 33)

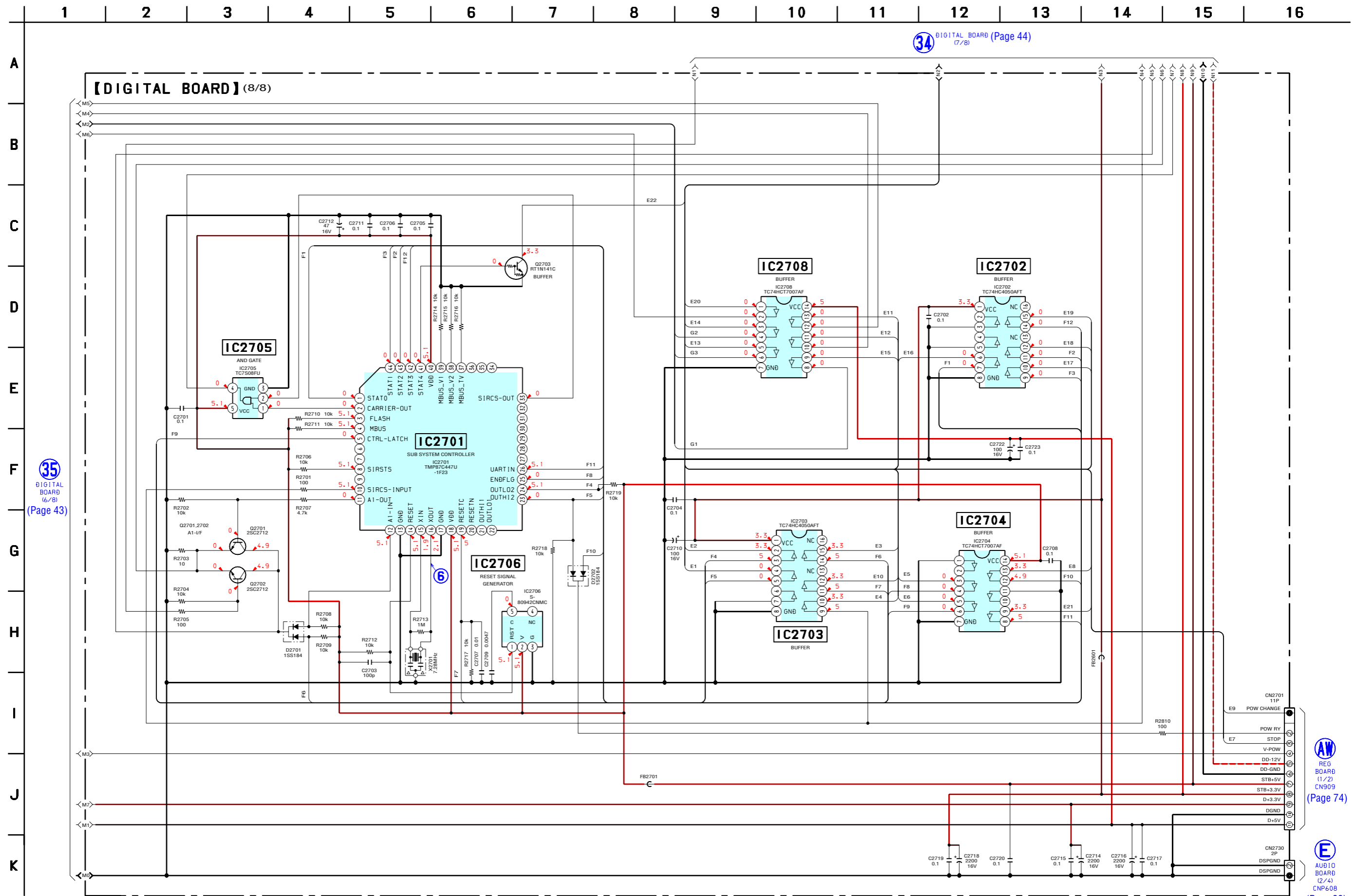
11 DIGITAL BOARD (1/8) (Page 38)

32 DIGITAL BOARD (5/8) (Page 42)

AB D-AMP BOARD (4/6) CN1901 (Page 53)

33 DIGITAL BOARD (7/8) (Page 44)

6-27. SCHEMATIC DIAGRAM – DIGITAL Board (8/8) – • See page 76 for Waveform. • See page 77 for IC Block Diagram.




34 DIGITAL BOARD (Page 44) (7/8)

35 DIGITAL BOARD (6/8) (Page 43)

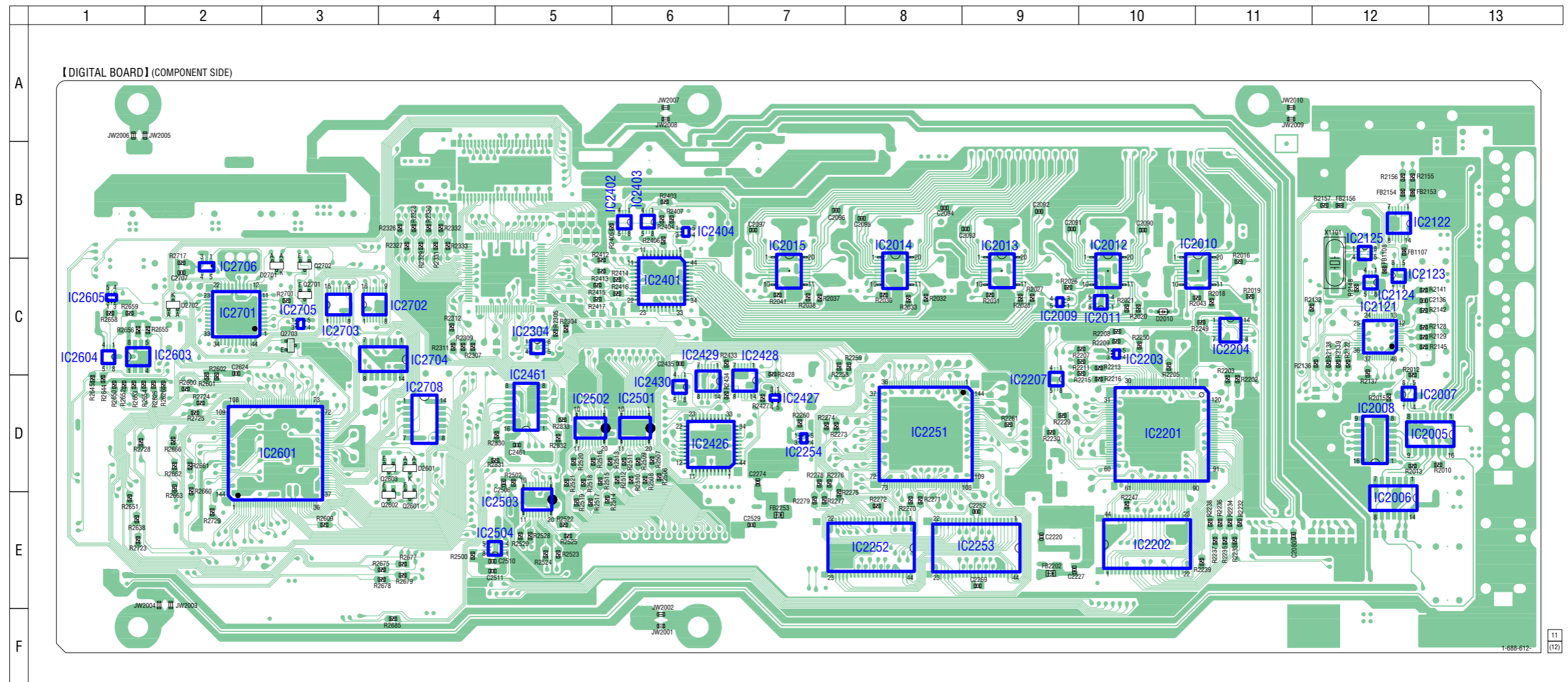
AW REG BOARD (1/2) CN909 (Page 74)


E AUDIO BOARD (2/4) CN608 (Page 33)

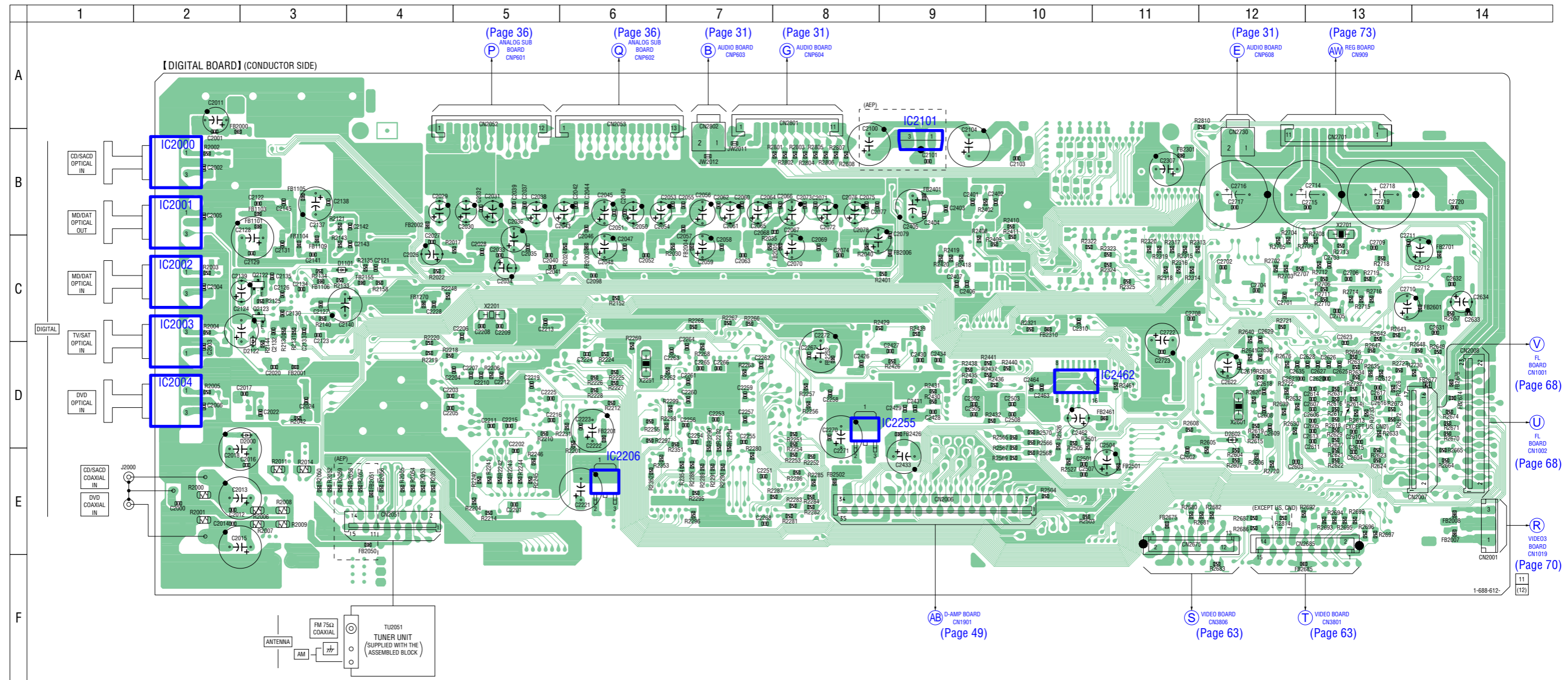
6-28. PRINTED WIRING BOARD – DIGITAL Board (Component Side) – • See page 29 for Circuit Boards Location.  :Uses unleaded solder.

• Semiconductor Location

Ref. No.	Location
D2010	C-10
D2601	D-4
D2701	C-3
D2702	C-2
IC2005	D-12
IC2006	E-12
IC2007	D-12
IC2008	D-12
IC2009	C-9
IC2010	C-11
IC2011	C-10
IC2012	C-10
IC2013	C-9
IC2014	C-8
IC2015	C-7
IC2121	C-12
IC2122	B-12
IC2123	C-12
IC2124	C-12
IC2125	B-12
IC2201	E-10
IC2202	E-10
IC2203	C-10
IC2204	C-11
IC2207	C-9
IC2251	D-8
IC2252	E-8
IC2253	E-9
IC2254	D-7
IC2304	C-5
IC2401	C-6
IC2402	B-6
IC2403	B-6
IC2404	B-6
IC2426	D-6
IC2427	D-7
IC2428	D-7
IC2429	D-6
IC2430	D-6
IC2461	D-5
IC2501	D-6
IC2502	D-5
IC2503	E-5
IC2504	E-5
IC2601	D-3
IC2603	C-1
IC2604	C-1
IC2605	C-1
IC2701	C-2
IC2702	C-3
IC2703	C-3
IC2704	C-4
IC2705	C-3
IC2706	C-2
IC2708	D-4
Q2601	E-4
Q2602	E-4
Q2603	D-4
Q2701	C-36
Q2702	C-3
Q2703	C-3




6-29. PRINTED WIRING BOARD – DIGITAL Board (Conductor Side) – • See page 29 for Circuit Boards Location.  :Uses unleaded solder.



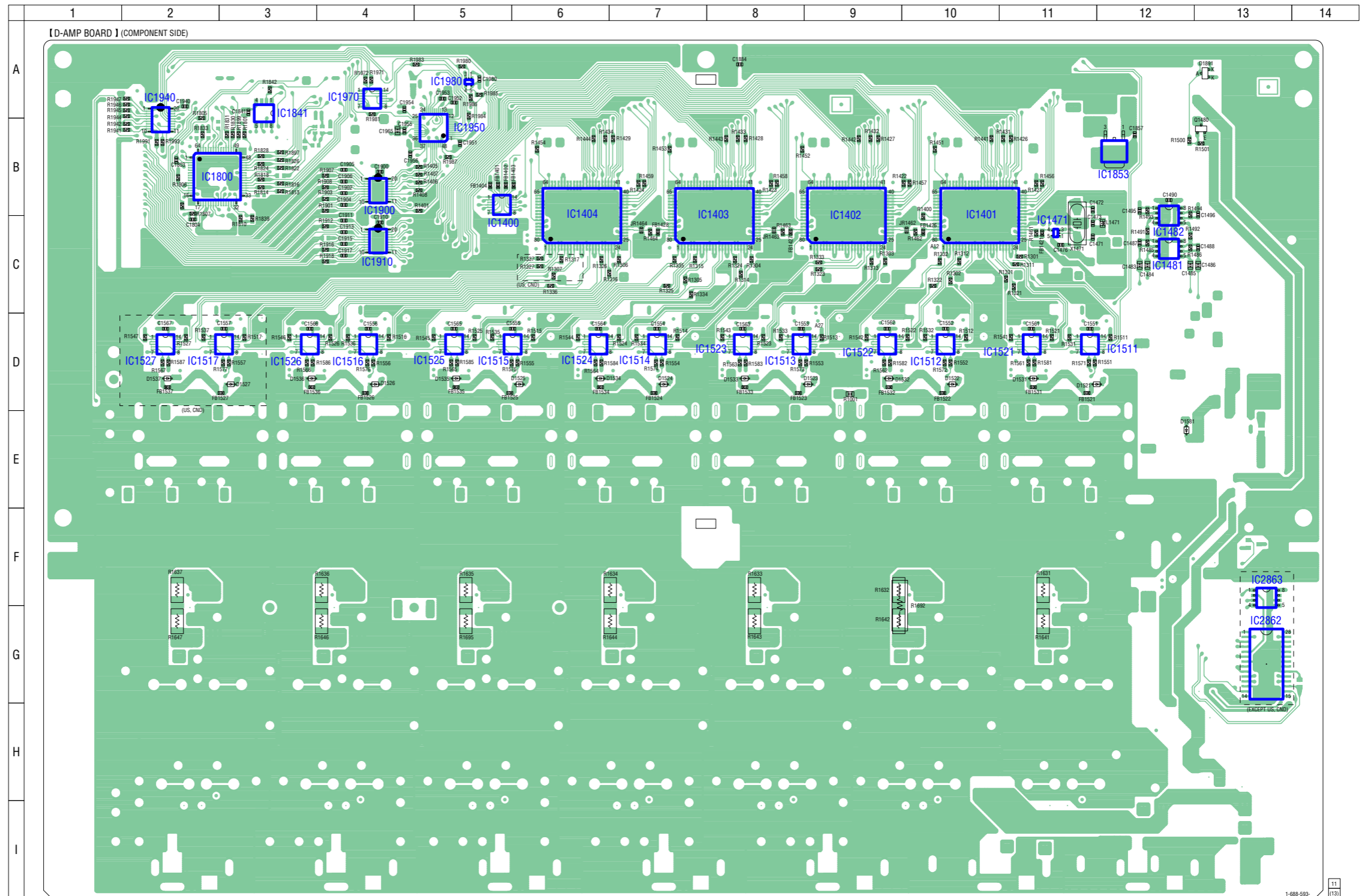
• Semiconductor Location


Ref. No.	Location
D1101	C-3
D2000	D-3
D2122	D-3
D2602	D-12
IC2000	B-2
IC2001	B-2
IC2002	C-2
IC2003	D-2
IC2004	D-2
IC2101	B-9
IC2102	B-10
IC2206	E-6
IC2255	D-8
IC2462	D-10
Q2122	C-2
Q2123	C-2

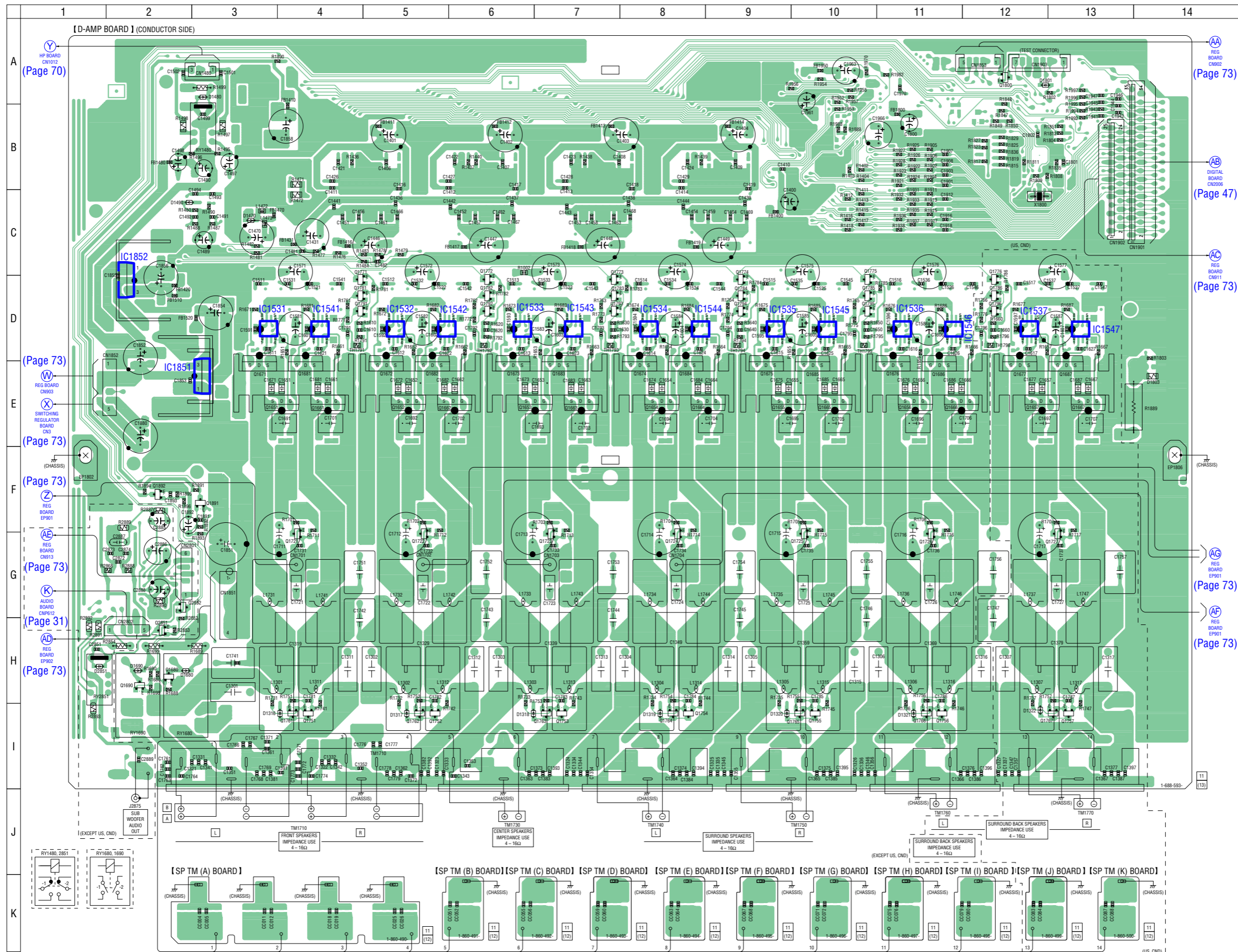
6-30. PRINTED WIRING BOARD – D-AMP Section (Component Side) – • See page 29 for Circuit Boards Location.  :Uses unleaded solder.

• Semiconductor Location

Ref. No.	Location
D1521	D-11
D1522	D-10
D1523	D-9
D1524	D-7
D1525	D-6
D1526	D-4
D1527	D-3
D1531	D-11
D1532	D-9
D1533	D-8
D1534	D-6
D1535	D-5
D1536	D-3
D1537	D-2
D1581	E-12
D1891	A-13
IC1400	B-5
IC1401	B-10
IC1402	B-9
IC1403	B-8
IC1404	B-6
IC1471	C-11
IC1481	C-12
IC1482	C-12
IC1511	D-11
IC1512	D-10
IC1513	D-8
IC1514	D-7
IC1515	D-6
IC1516	D-4
IC1517	D-3
IC1521	D-11
IC1522	D-9
IC1523	D-8
IC1524	D-6
IC1525	D-5
IC1526	D-3
IC1527	D-2
IC1800	B-2
IC1841	A-3
IC1853	B-12
IC1900	B-4
IC1910	C-4
IC1940	B-2
IC1950	B-5
IC1970	A-4
IC1980	A-5
IC2862	F-12
IC2863	F-13
Q1480	B-13



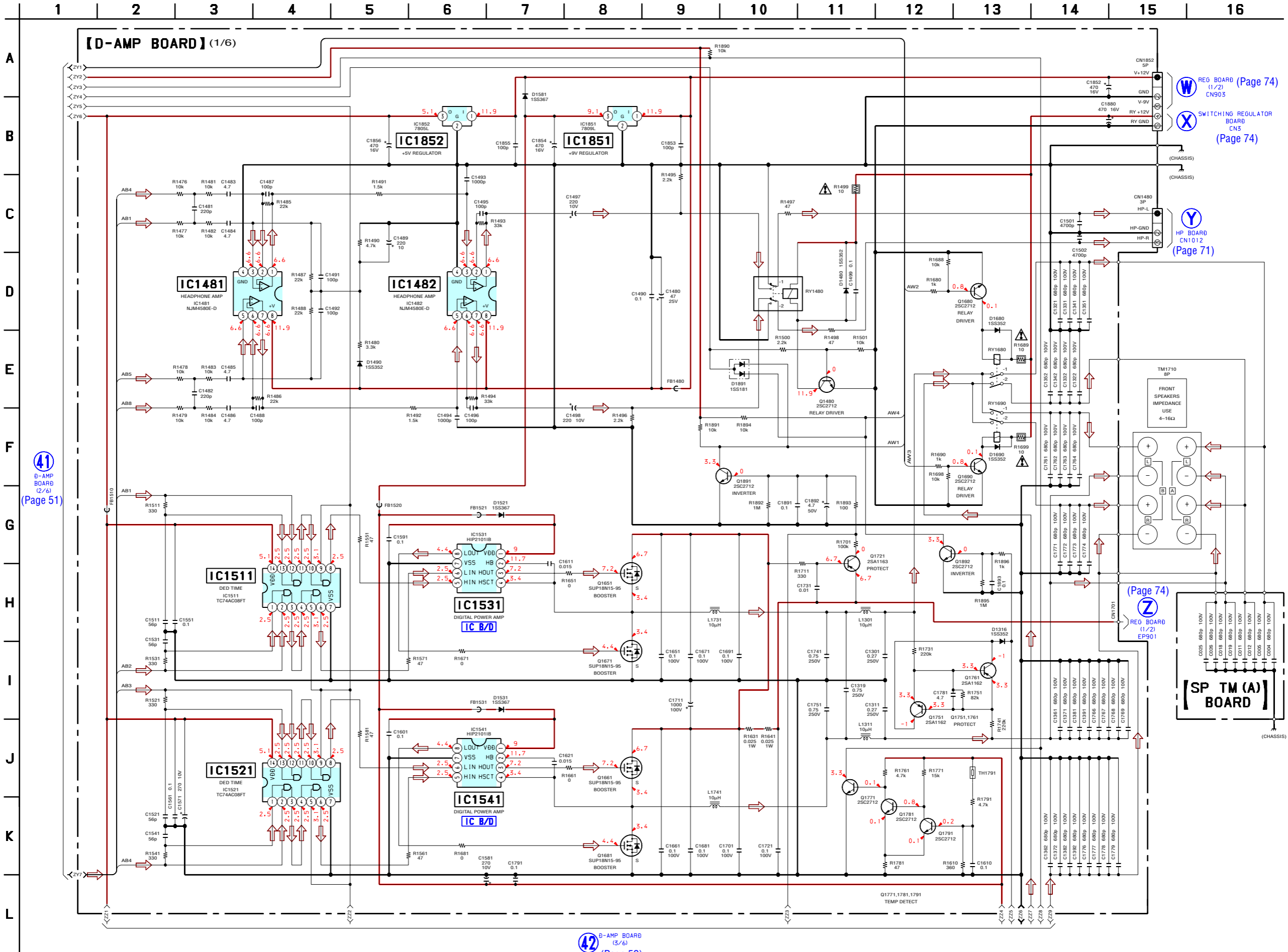
6-31. PRINTED WIRING BOARDS – D-AMP Section (Conductor Side) – • See page 29 for Circuit Boards Location.  :Uses unleaded solder.



• Semiconductor Location

Ref. No.	Location	Ref. No.	Location
D1316	I-4	Q1680	H-2
D1317	I-5	Q1681	E-4
D1318	I-6	Q1682	E-5
D1319	I-8	Q1683	E-7
D1320	I-9	Q1684	E-8
D1321	I-11	Q1685	E-10
D1322	I-12	Q1686	E-11
D1470	C-3	Q1687	E-13
D1480	A-3	Q1690	H-2
D1490	C-2	Q1721	G-4
D1680	H-2	Q1722	G-5
D1690	H-2	Q1723	G-7
D1801	A-12	Q1724	G-8
D1803	E-14	Q1725	G-10
D2851	H-1	Q1726	G-11
		Q1727	G-13
IC1531	D-3	Q1751	I-4
IC1532	D-5	Q1752	I-5
IC1533	D-6	Q1753	I-7
IC1534	D-8	Q1754	I-8
IC1535	D-9	Q1755	I-10
IC1536	D-11	Q1756	I-11
IC1537	D-12	Q1757	I-13
IC1541	D-4	Q1761	I-4
IC1542	D-5	Q1762	I-5
IC1543	D-7	Q1763	I-7
IC1544	D-8	Q1764	I-8
IC1545	D-10	Q1765	I-10
IC1546	D-11	Q1766	I-11
IC1547	D-13	Q1767	I-13
IC1851	E-3	Q1771	D-4
IC1852	D-2	Q1772	D-6
		Q1773	D-7
		Q1774	D-9
Q1651	E-4	Q1775	D-10
Q1652	E-5	Q1776	D-12
Q1653	E-7	Q1777	D-4
Q1654	E-8	Q1781	D-6
Q1655	E-9	Q1782	D-7
Q1656	E-11	Q1783	D-9
Q1657	E-12	Q1784	D-10
Q1661	E-4	Q1785	D-12
Q1662	E-6	Q1786	D-4
Q1663	E-7	Q1791	D-6
Q1664	E-9	Q1792	D-7
Q1665	E-10	Q1793	D-9
Q1666	E-11	Q1794	D-10
Q1667	E-13	Q1795	D-12
Q1671	E-3	Q1800	A-12
Q1672	E-5	Q1891	F-3
Q1673	E-6	Q1892	F-2
Q1674	E-8	Q2851	H-2
Q1675	E-9	Q2852	G-2
Q1676	E-11		
Q1677	E-12		

6-32. SCHEMATIC DIAGRAM – D-AMP Section (1/6) – • See page 77 for IC Block Diagrams.



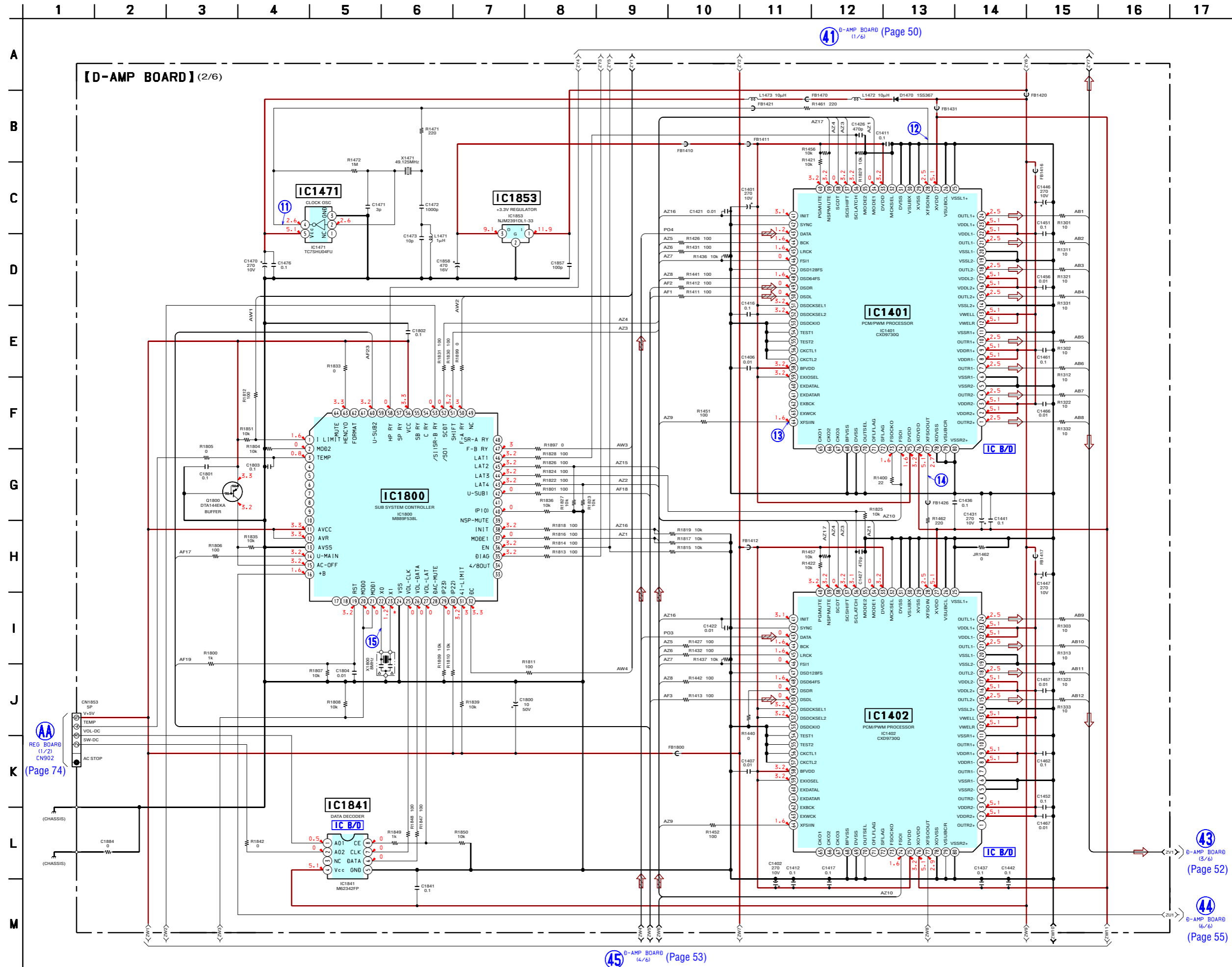
41 D-AMP BOARD (2/6) (Page 51)

42 D-AMP BOARD (3/6) (Page 52)

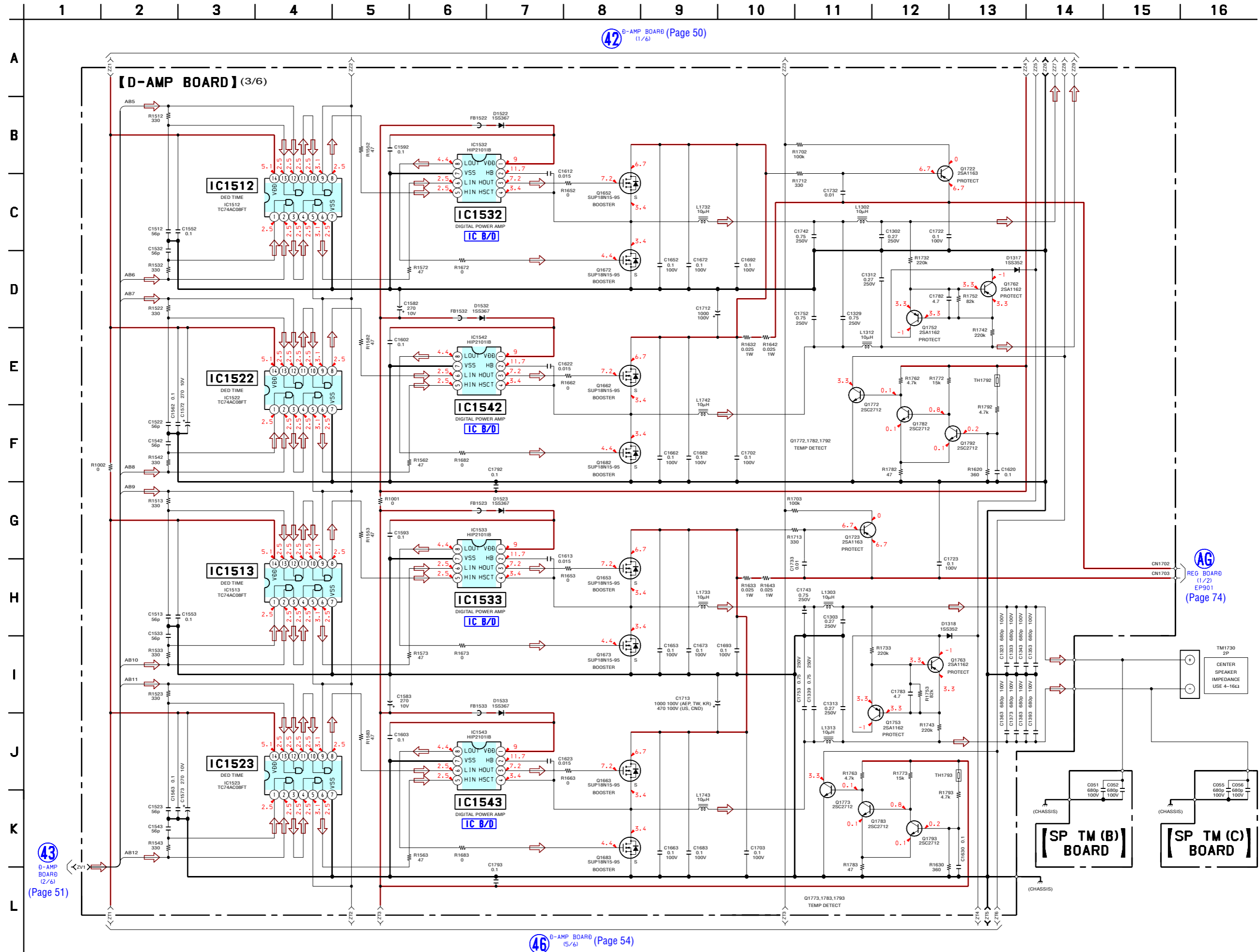
The components identified by mark Δ or dotted line with mark Δ are critical for safety. Replace only with part number specified.

Les composants identifiés par une marque Δ sont critiques pour la sécurité. Ne les remplacer que par une pièce portant le numéro spécifié.

6-33. SCHEMATIC DIAGRAM – D-AMP Section (2/6) – • See page 76 for Waveforms. • See page 77 for IC Block Diagrams.



6-34. SCHEMATIC DIAGRAM – D-AMP Section (3/6) – • See page 77 for IC Block Diagrams.

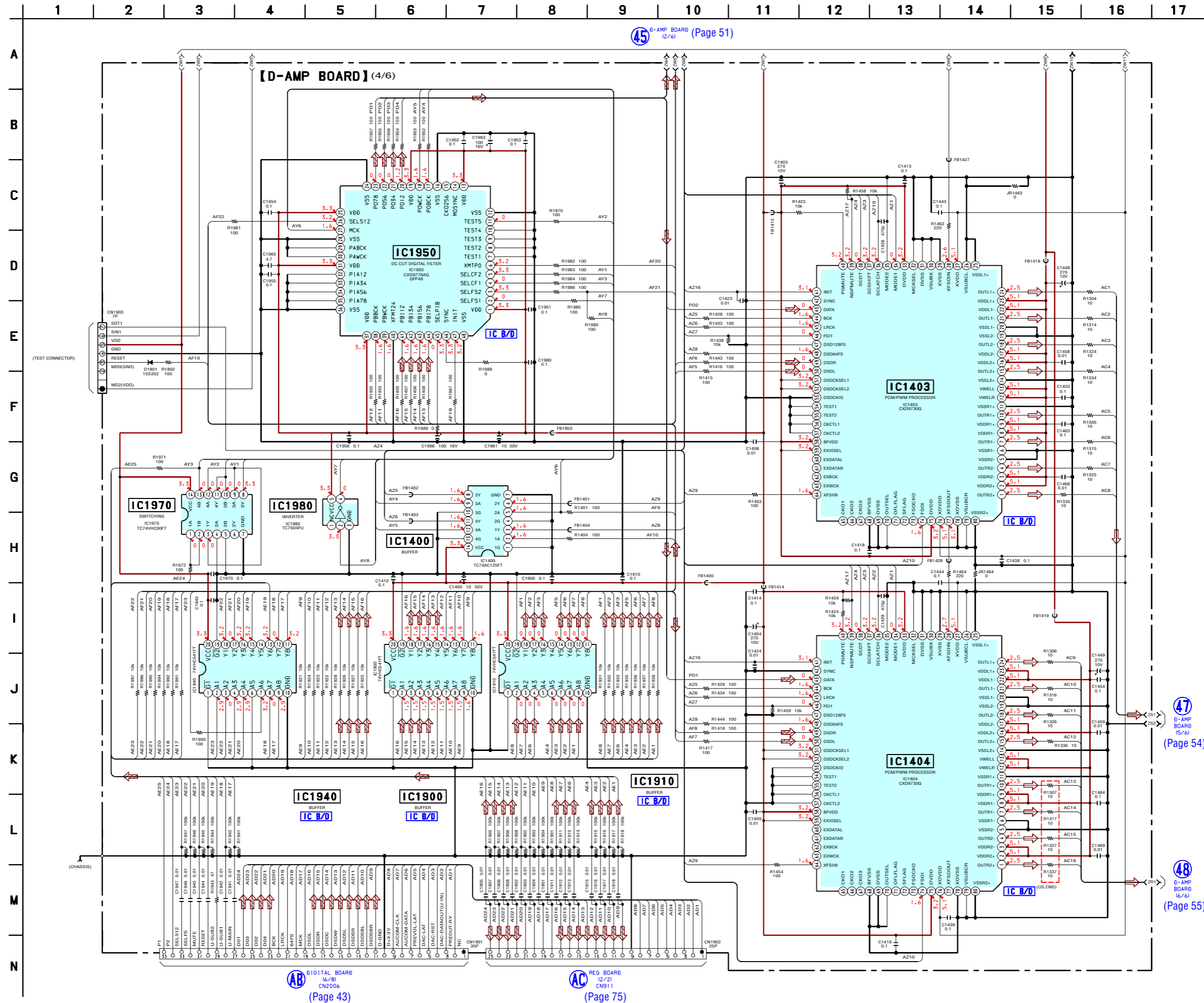


42 D-AMP BOARD (Page 50)
(1/6)

43 D-AMP BOARD (2/6)
(Page 51)

46 D-AMP BOARD (5/6)
(Page 54)

6-35. SCHEMATIC DIAGRAM – D-AMP Section (4/6) – • See page 77 for IC Block Diagrams.



D-AMP BOARD (12/6) (Page 51)

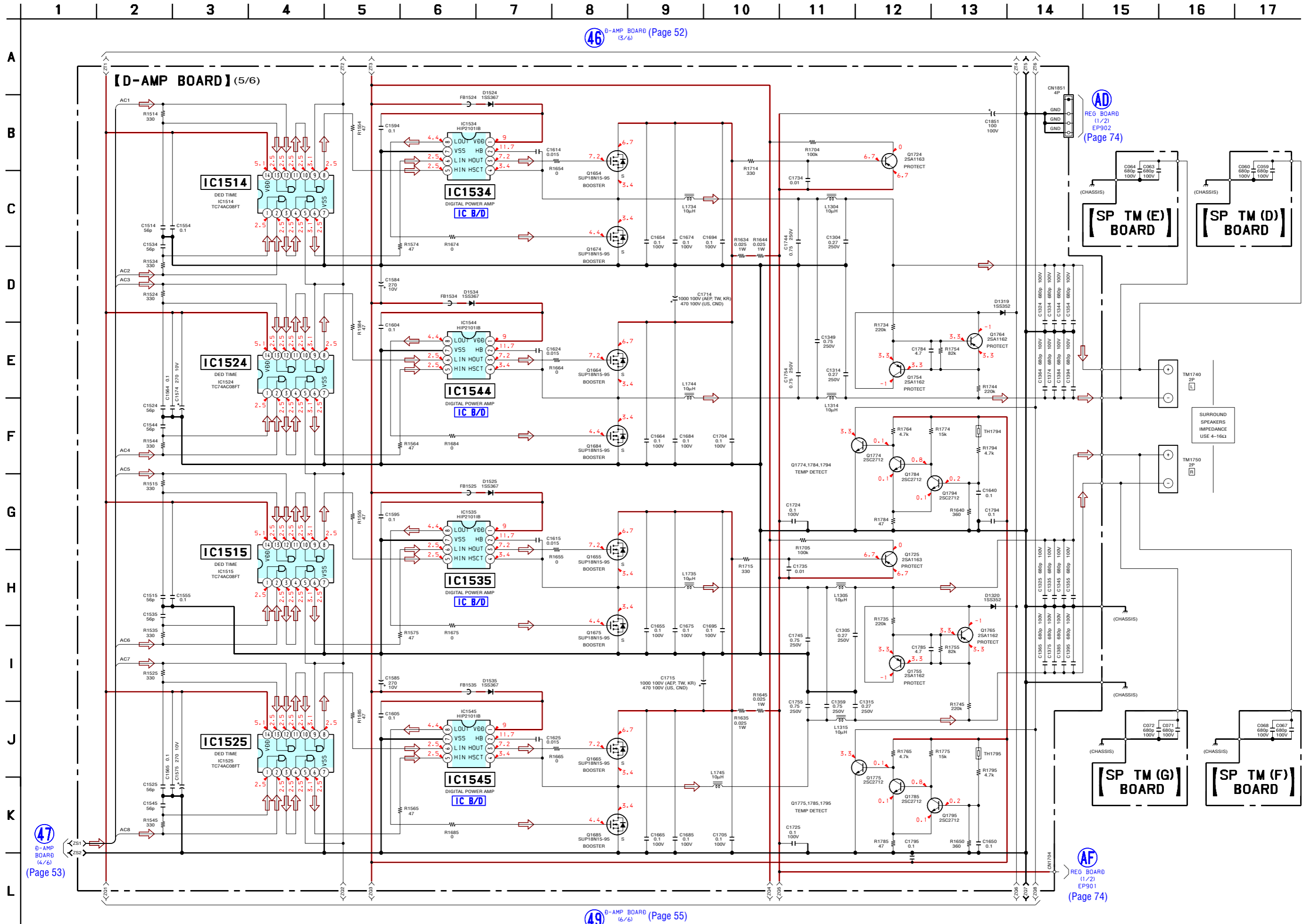
(47) D-AMP BOARD (5/6) (Page 54)

(48) D-AMP BOARD (6/6) (Page 55)

DIGITAL BOARD (6/8) (CN2006) (Page 43)

REG BOARD (2/2) (CN911) (Page 75)

6-36. SCHEMATIC DIAGRAM – D-AMP Section (5/6) – • See page 77 for IC Block Diagrams.



46 D-AMP BOARD (Page 52)
(3/6)

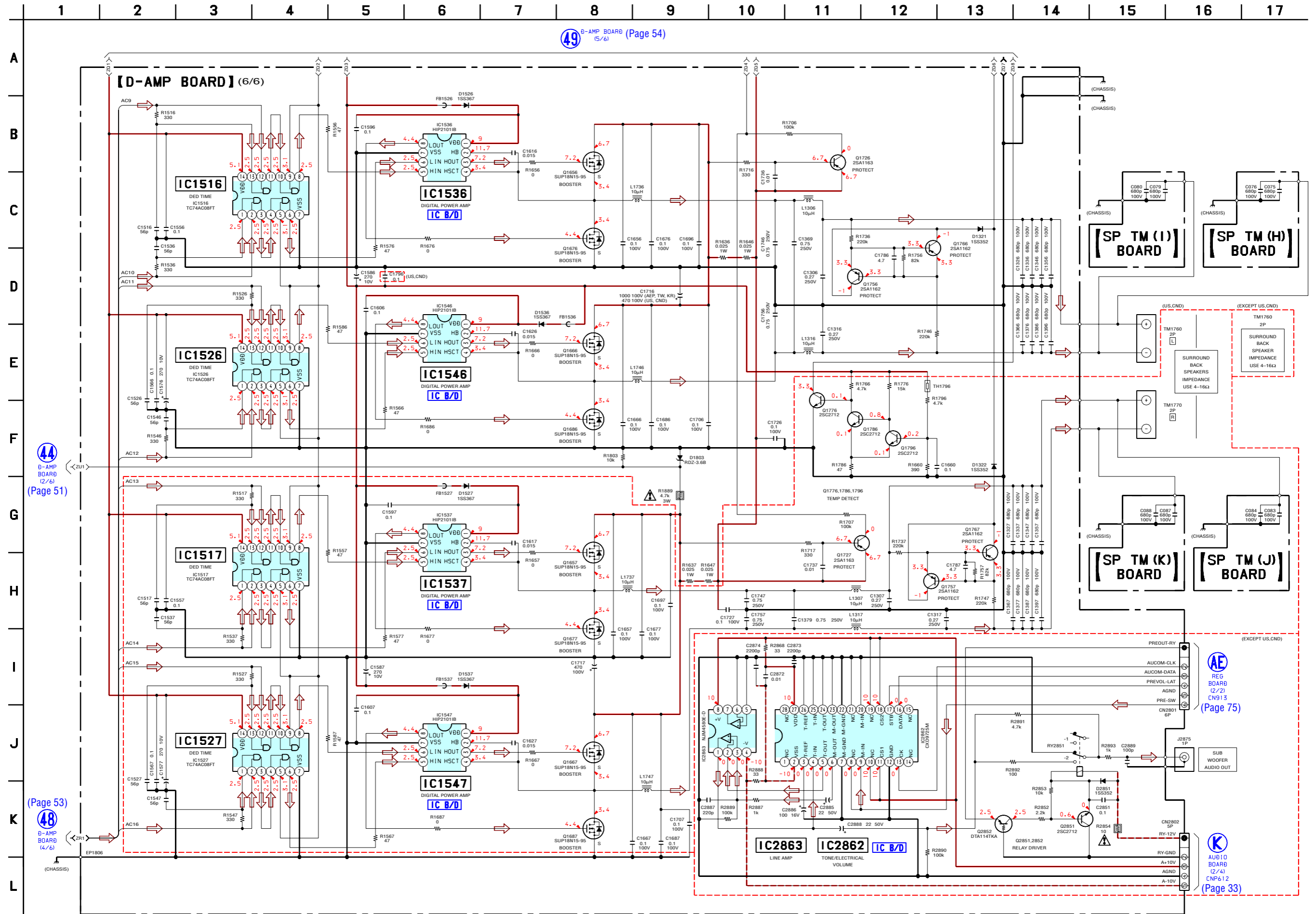
47 D-AMP BOARD (Page 53)
(4/6)

49 D-AMP BOARD (Page 55)
(6/6)

AD REG BOARD (1/2) EP902 (Page 74)

AF REG BOARD (1/2) EP901 (Page 74)

6-37. SCHEMATIC DIAGRAM – D-AMP Section (6/6) – • See page 77 for IC Block Diagrams.



44 B-AMP BOARD (2/6) (Page 51)

48 B-AMP BOARD (4/6) (Page 53)

49 B-AMP BOARD (5/6) (Page 54)

AE REG BOARD (2/2) CN913 (Page 75)

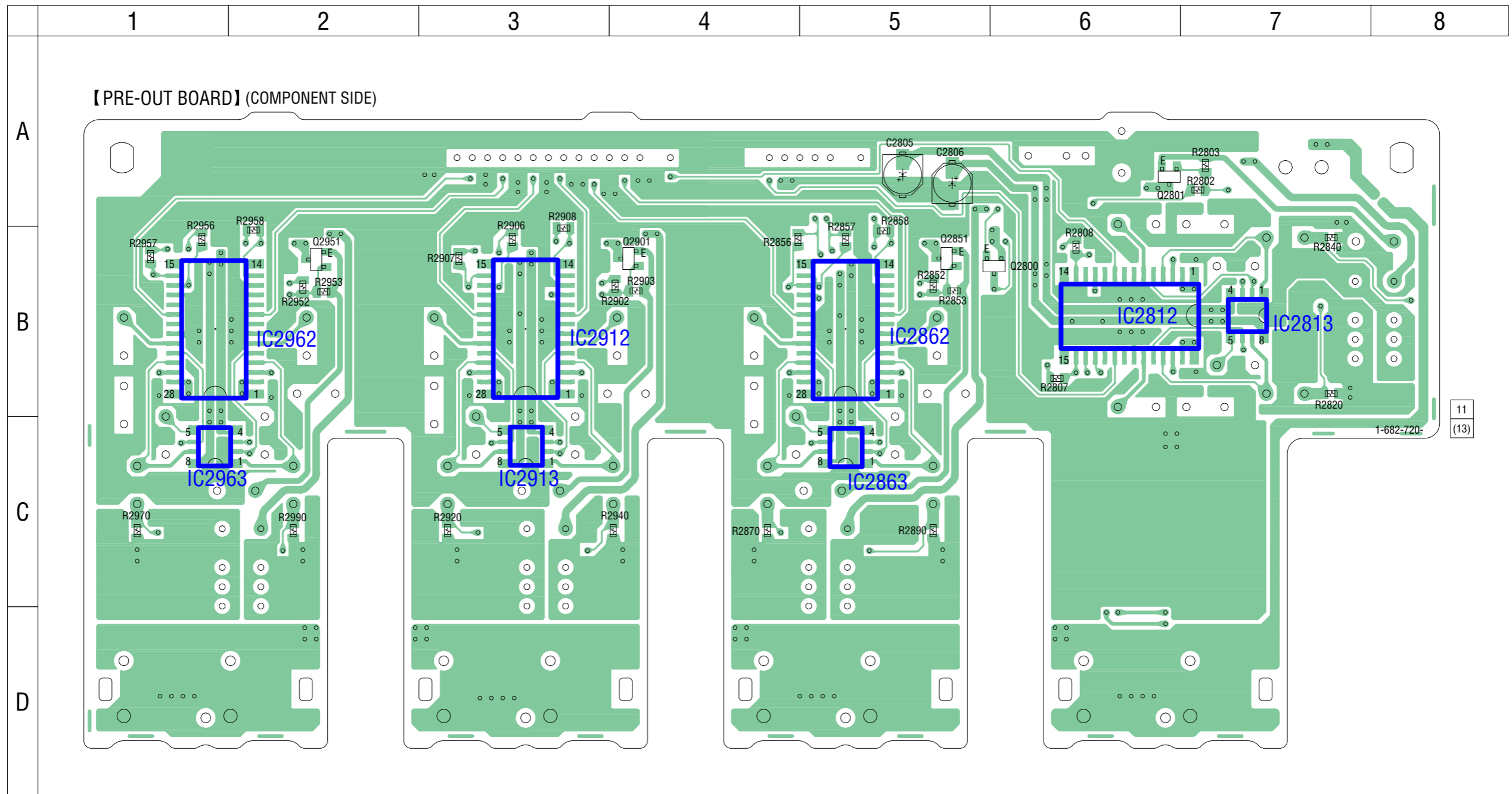
K AUDIO BOARD (2/4) CNP612 (Page 33)

The components identified by mark Δ or dotted line with mark Δ are critical for safety. Replace only with part number specified.
Les composants identifiés par une marque Δ sont critiques pour la sécurité. Ne les remplacer que par une pièce portant le numéro spécifié.

6-38. PRINTED WIRING BOARD – PRE-OUT Board (Component Side) – (US, CND models) • See page 29 for Circuit Boards Location.  :Uses unleaded solder.

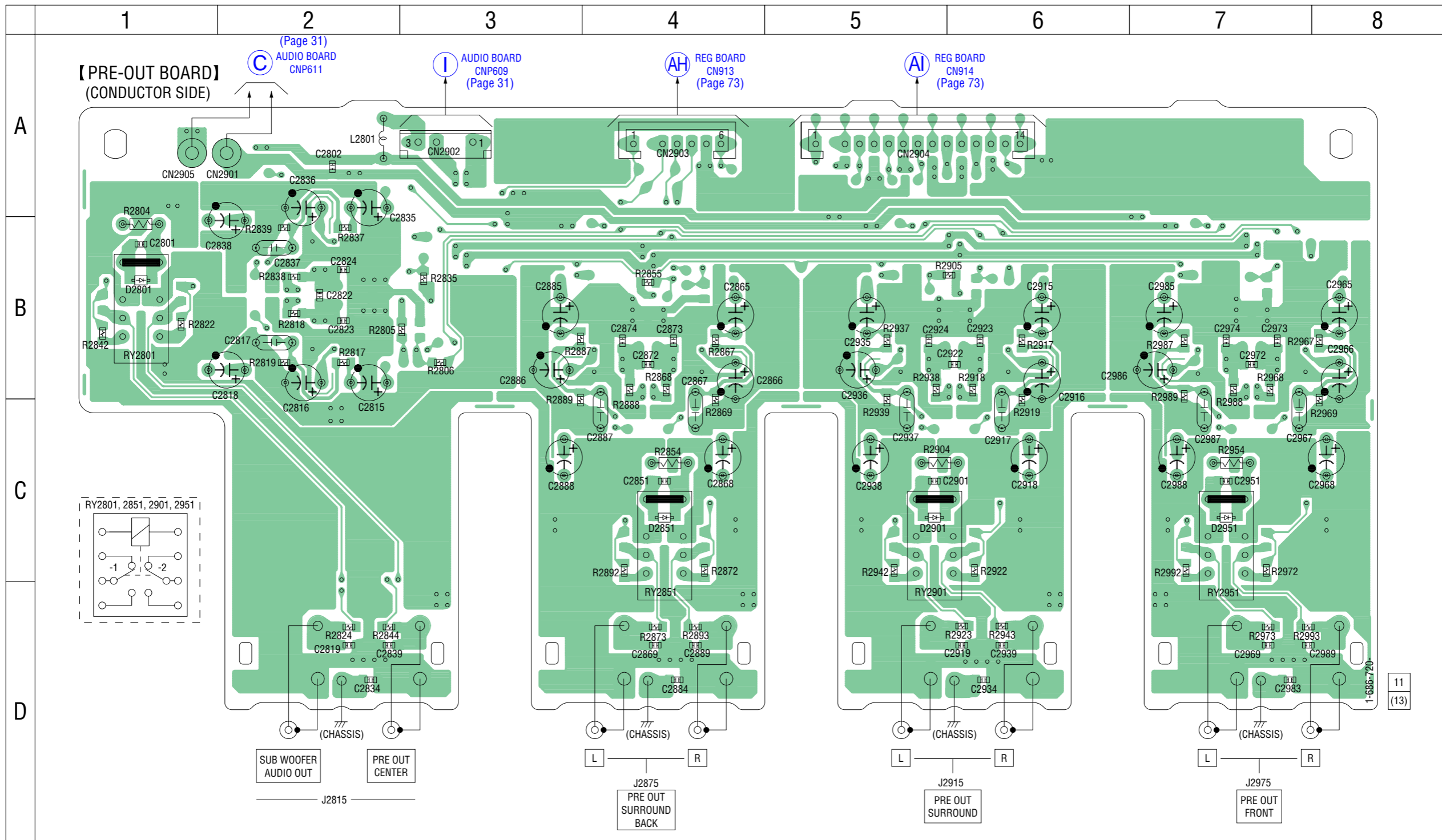
• Semiconductor Location

Ref. No.	Location
IC2812	B-6
IC2813	B-7
IC2862	B-5
IC2863	C-5
IC2912	B-3
IC2913	C-3
IC2962	B-1
IC2963	C-1
Q2800	B-6
Q2801	A-6
Q2851	B-5
Q2901	B-4
Q2951	B-2



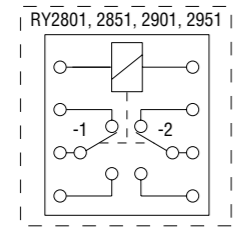
11
(13)

6-39. PRINTED WIRING BOARD – PRE-OUT Board (Conductor Side) – (US, CND models) • See page 29 for Circuit Boards Location.  :Uses unleaded solder.



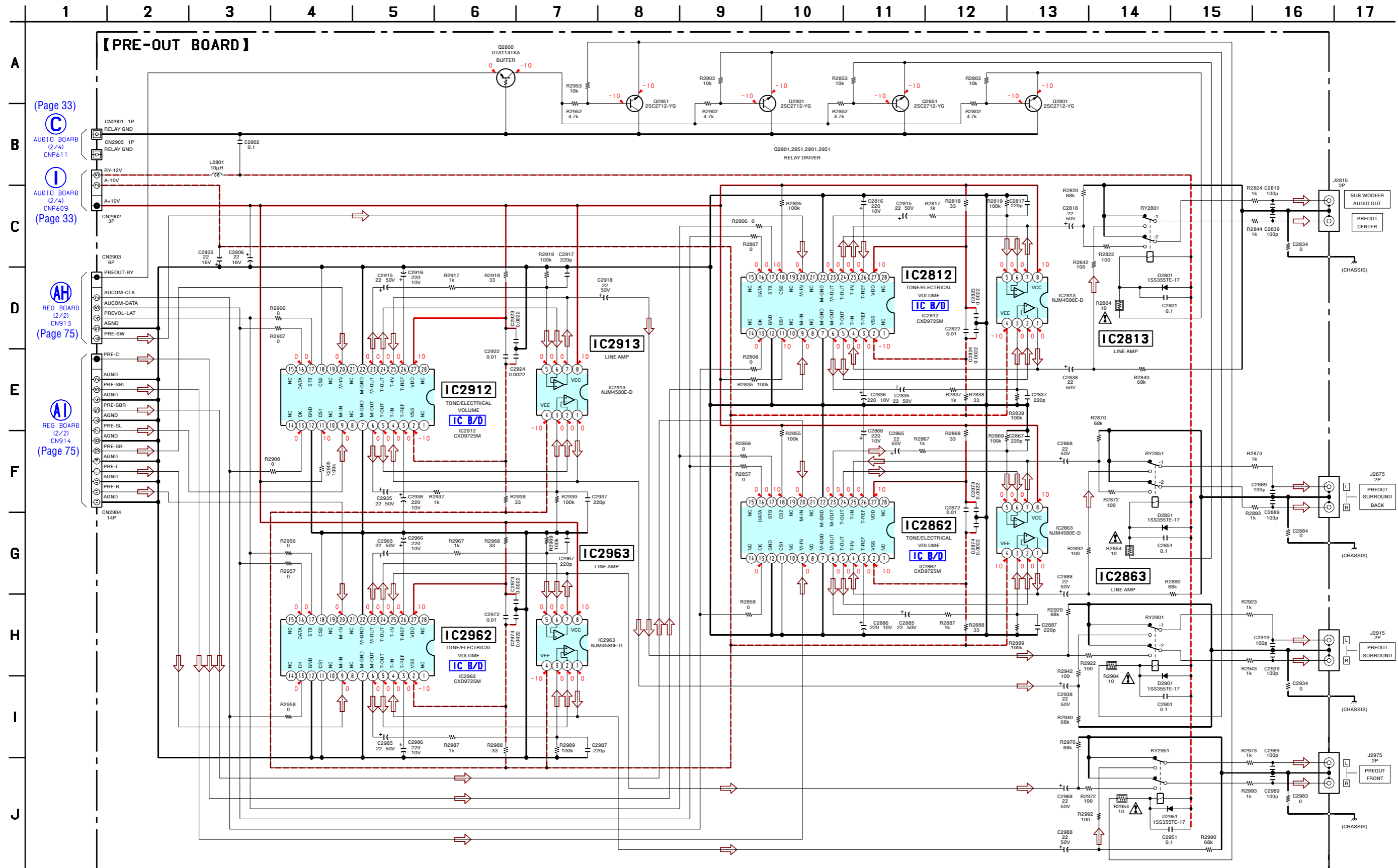
• Semiconductor Location

Ref. No.	Location
D2801	B-1
D2851	C-4
D2901	C-5
D2951	C-7



11
(13)

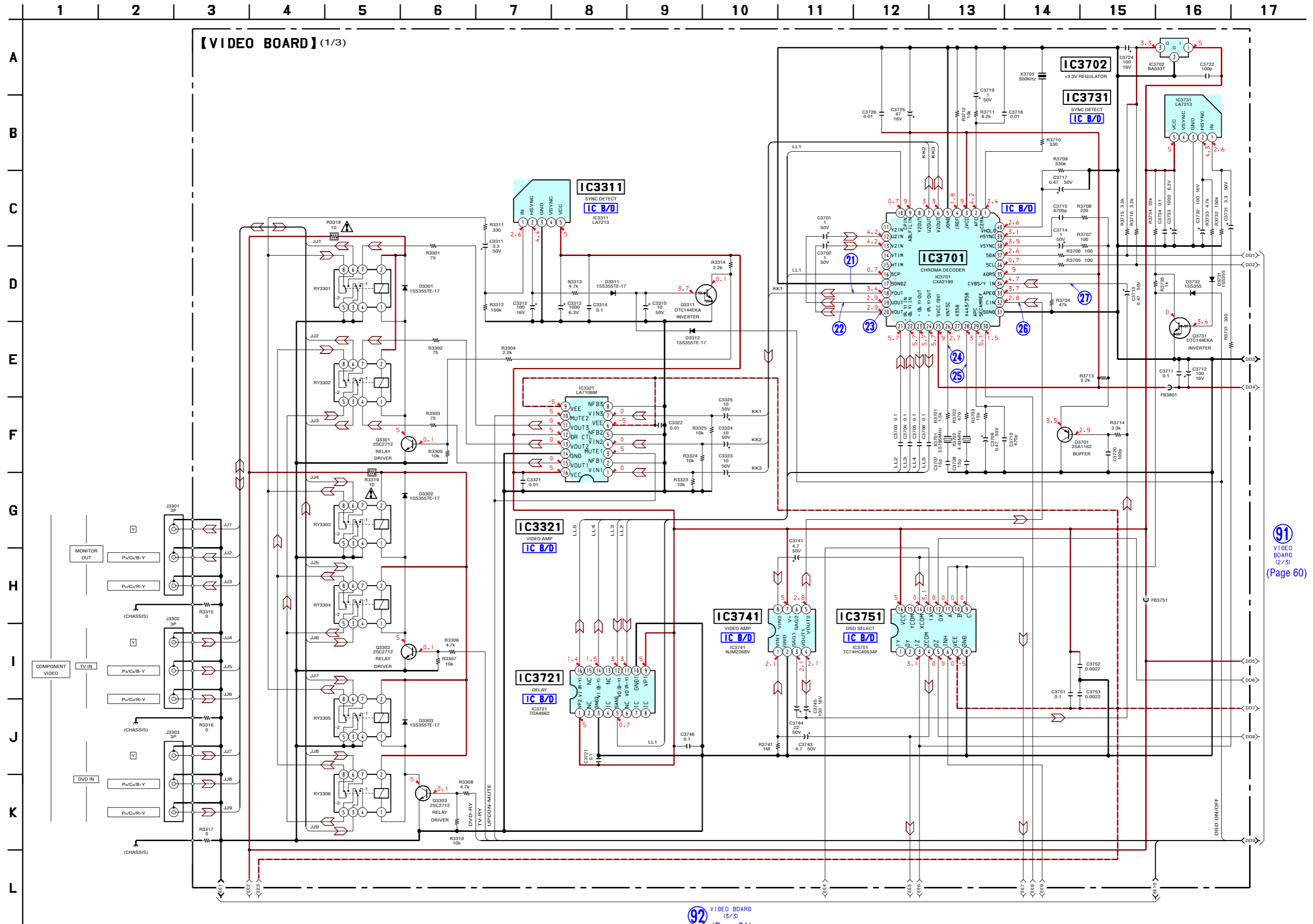
6-40. SCHEMATIC DIAGRAM – PRE-OUT Board – (US, CND models) • See page 77 for IC Block Diagrams.



The components identified by mark Δ or dotted line with mark Δ are critical for safety. Replace only with part number specified.

Les composants identifiés par une marque Δ sont critiques pour la sécurité. Ne les remplacer que par une pièce portant le numéro spécifié.

6-41. SCHEMATIC DIAGRAM – VIDEO Board (1/3) – • See page 76 for Waveforms. • See page 77 for IC Block Diagrams.



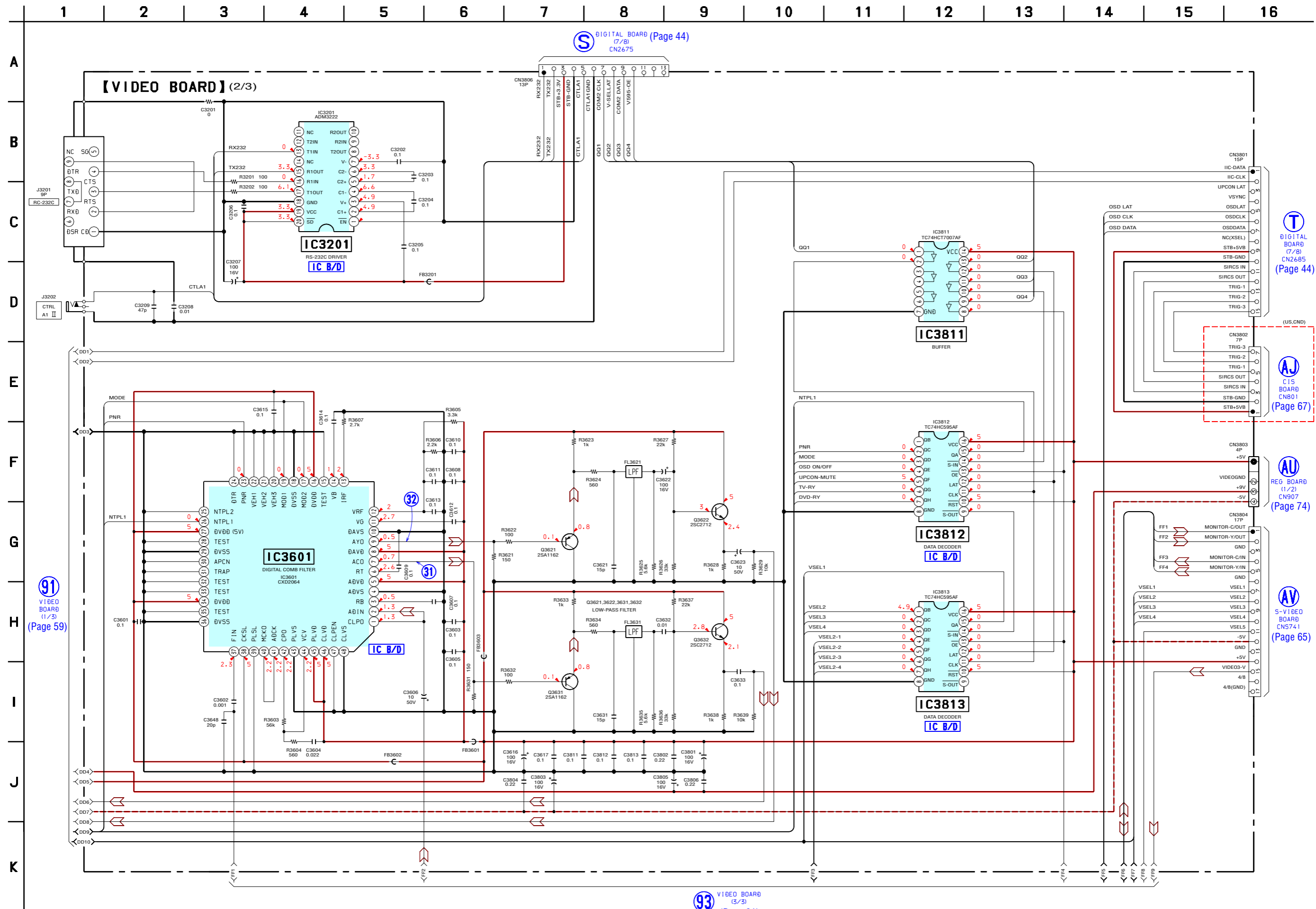
91 VIDEO BOARD (2/3) (Page 60)

92 VIDEO BOARD (3/3) (Page 61)

The components identified by mark Δ or dotted line with mark Δ are critical for safety. Replace only with part number specified.

Les composants identifiés par une marque Δ sont critiques pour la sécurité. Ne les remplacer que par une pièce portant le numéro spécifié.

6-42. SCHEMATIC DIAGRAM – VIDEO Board (2/3) – • See page 76 for Waveforms. • See page 77 for IC Block Diagrams.



91 VIDEO BOARD (1/3) (Page 59)

93 VIDEO BOARD (3/3) (Page 61)

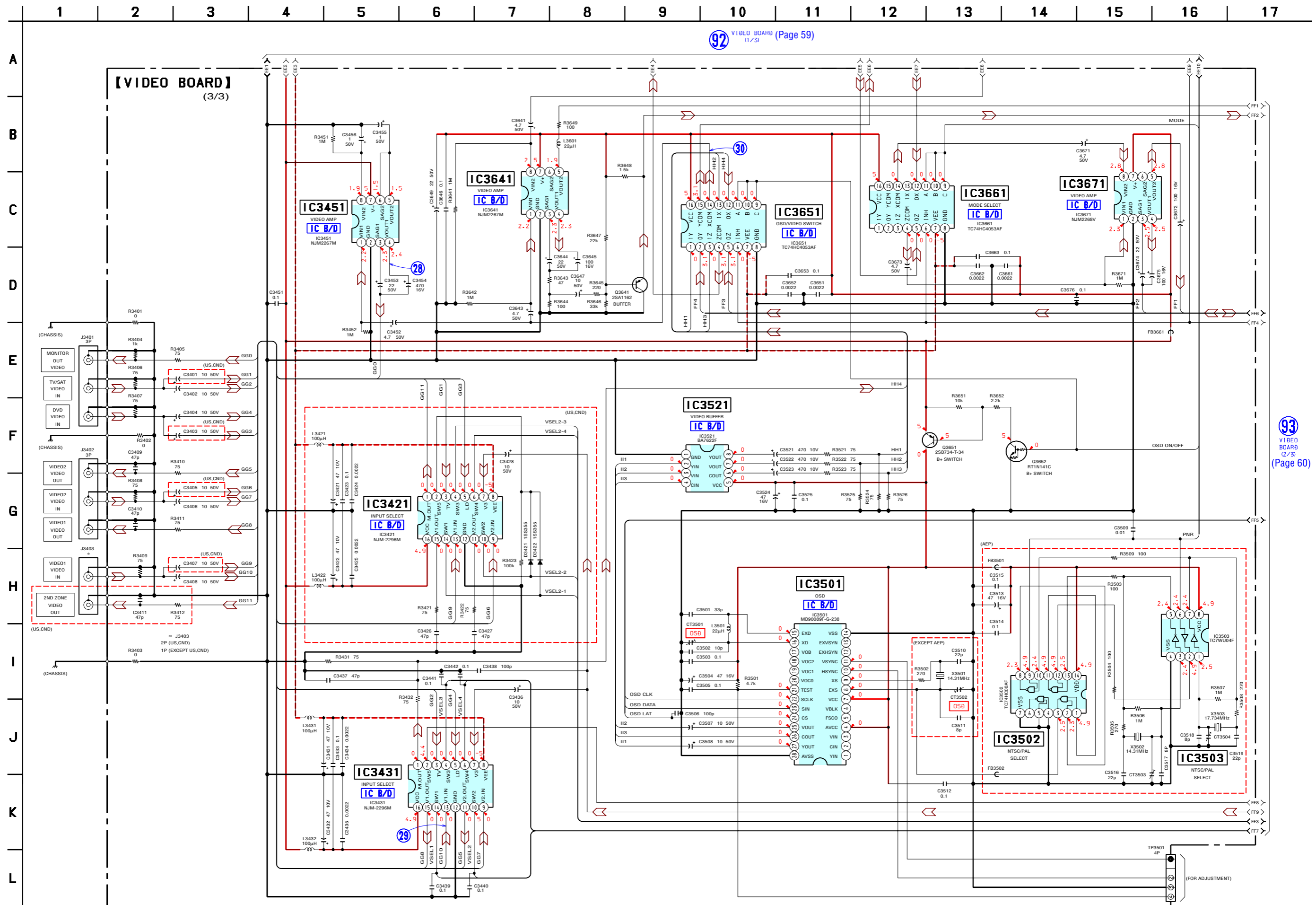
T DIGITAL BOARD (7/8) CN2685 (Page 44)

AJ C15 BOARD CN801 (Page 67)

AU REG BOARD (1/2) CN907 (Page 74)


AV S-VIDEO BOARD CN5741 (Page 65)

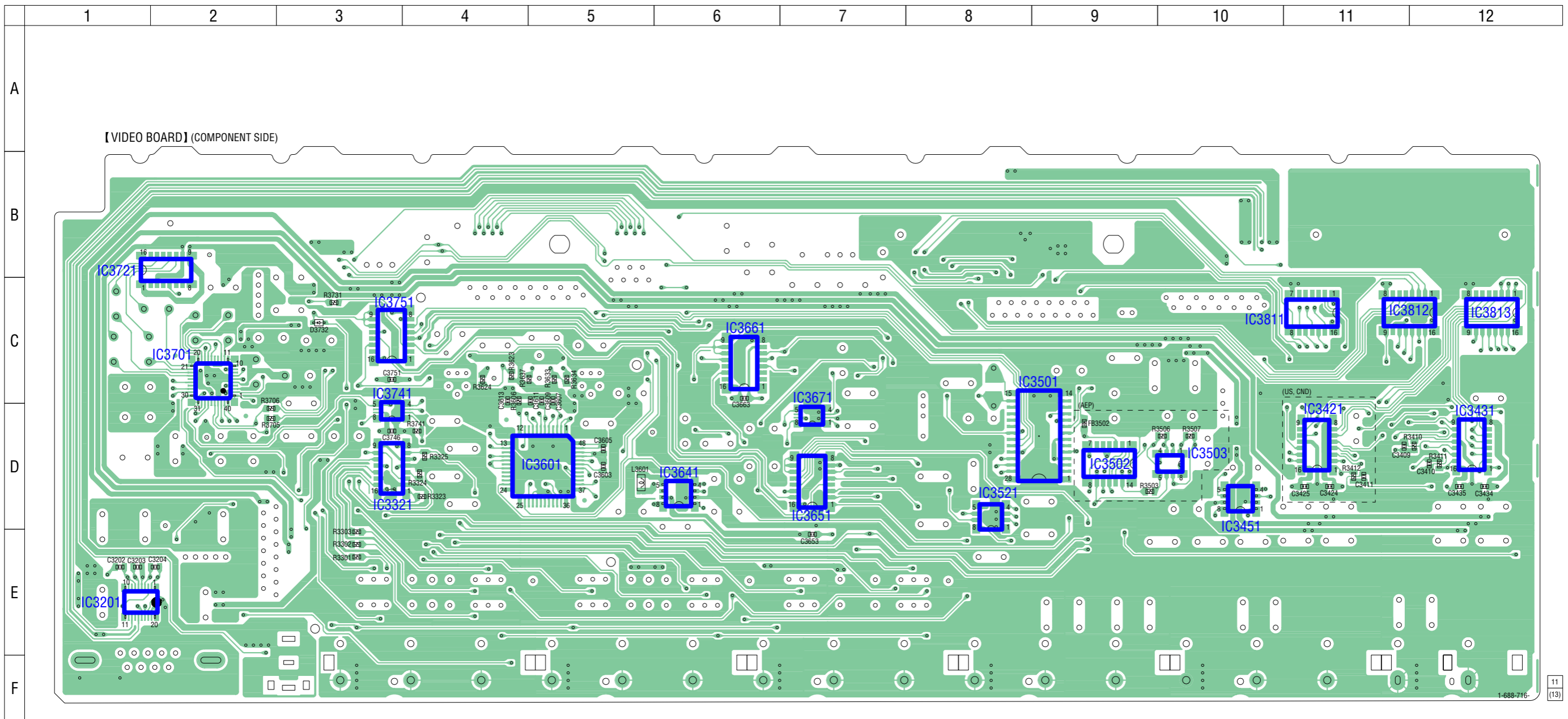
6-43. SCHEMATIC DIAGRAM – VIDEO Board (3/3) – • See page 76 for Waveforms. • See page 77 for IC Block Diagrams.



92 VIDEO BOARD (1/3) (Page 59)


93 VIDEO BOARD (2/3) (Page 60)

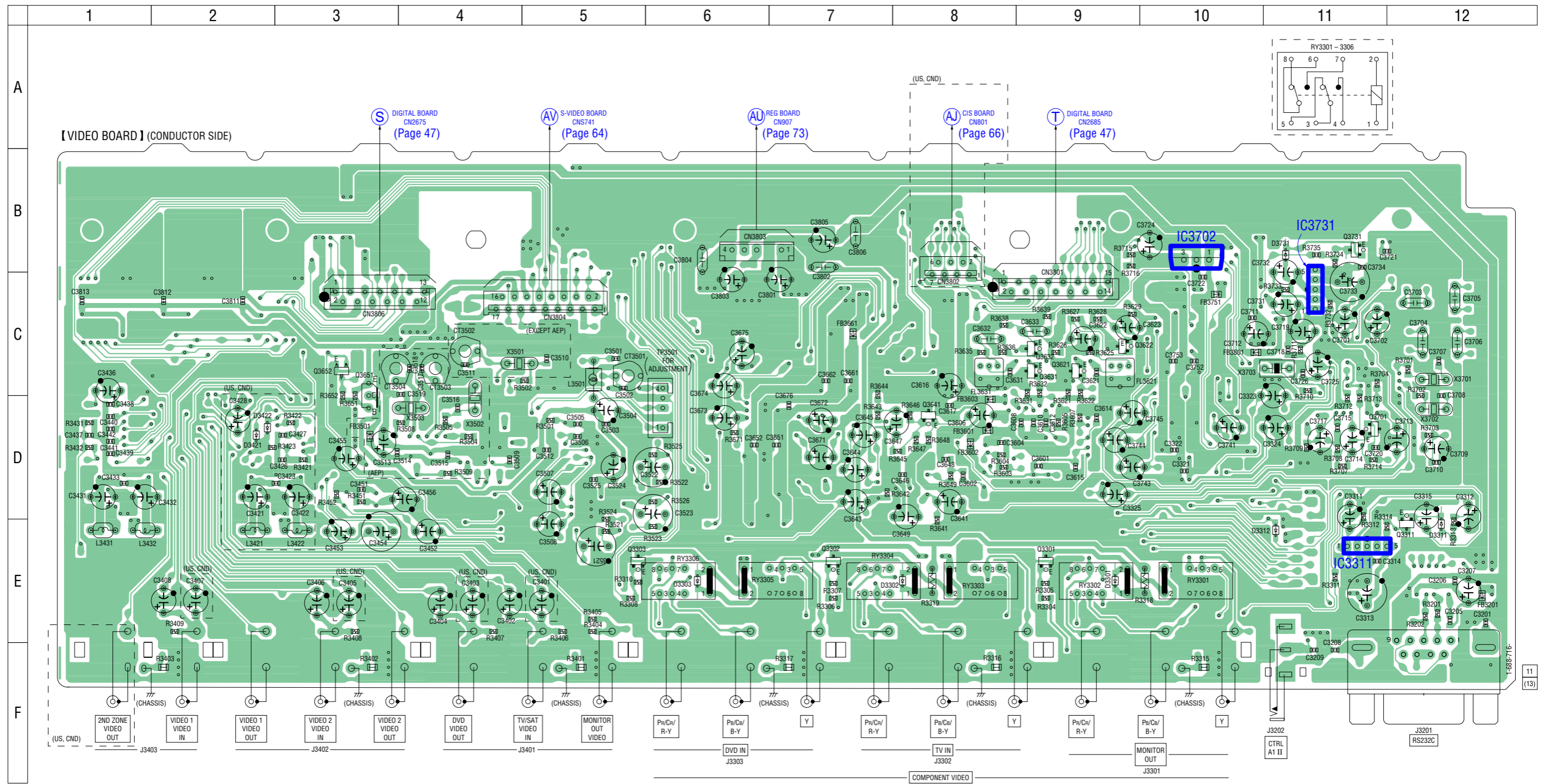
6-44. PRINTED WIRING BOARD – VIDEO Board (Component Side) – • See page 29 for Circuit Boards Location.  :Uses unleaded solder.



• Semiconductor Location

Ref. No.	Location
D3732	C-3
IC3201	E-1
IC3321	D-3
IC3421	D-11
IC3431	D-12
IC3451	D-10
IC3501	D-9
IC3502	D-9
IC3503	D-10
IC3521	D-8
IC3601	D-5
IC3641	D-6
IC3651	D-7
IC3661	C-6
IC3671	D-7
IC3701	C-2
IC3721	B-2
IC3741	D-3
IC3751	C-3
IC3811	C-11
IC3812	C-12
IC3813	C-12

6-45. PRINTED WIRING BOARD – VIDEO Board (Conductor Side) – • See page 29 for Circuit Boards Location.  :Uses unleaded solder.

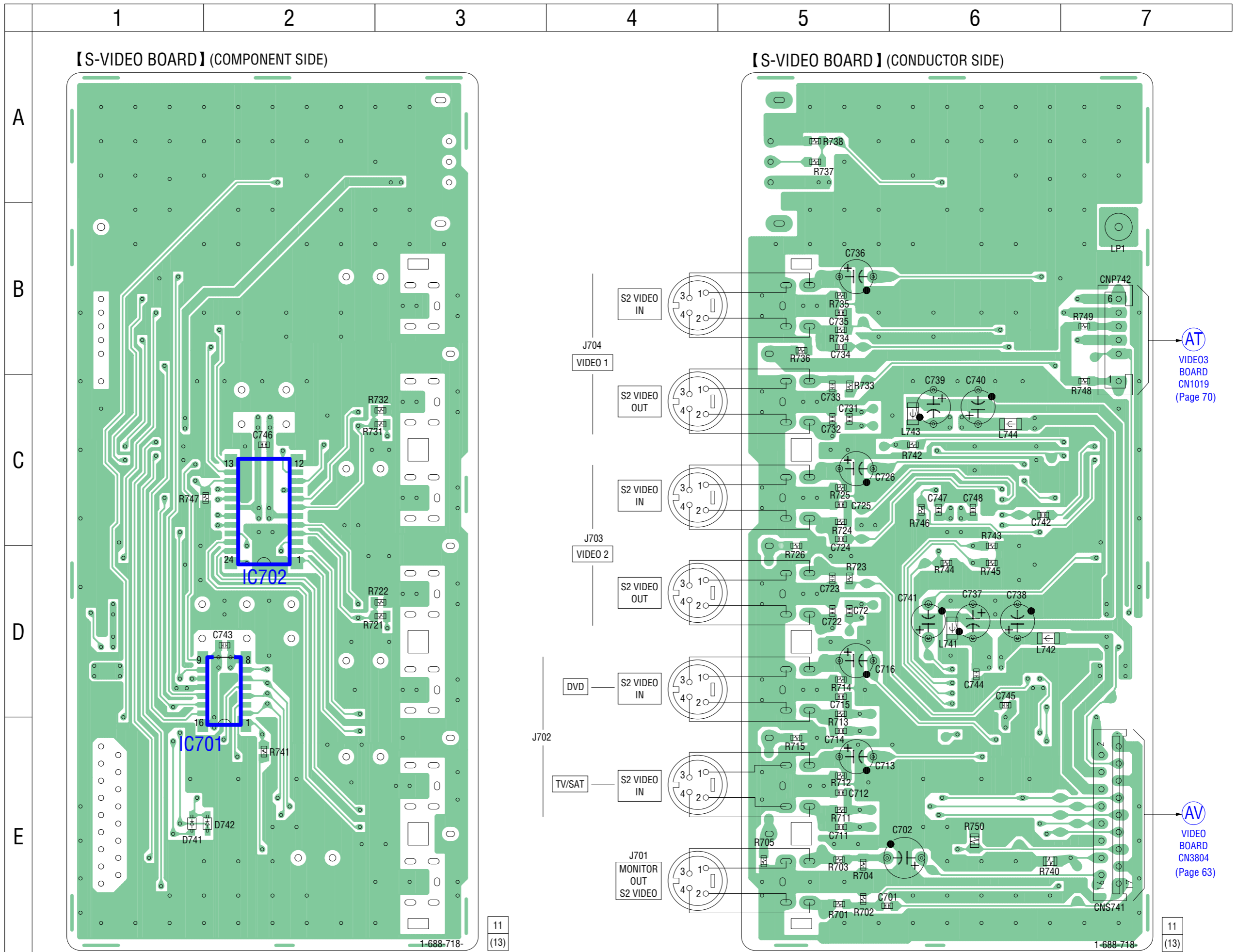


• Semiconductor Location

Ref. No.	Location	Ref. No.	Location
D3301	E-9	Q3301	E-9
D3302	E-8	Q3302	E-7
D3303	E-6	Q3303	E-5
D3311	E-12	Q3311	E-12
D3312	E-11	Q3621	C-9
D3421	D-2	Q3622	C-9
D3422	D-2	Q3631	C-9
D3731	B-11	Q3632	C-9
		Q3641	D-8
IC3311	E-11	Q3651	C-3
IC3702	B-10	Q3652	C-3
IC3731	C-11	Q3701	D-12
		Q3731	B-11

• Semiconductor Location

Ref. No.	Location
D741	E-1
D742	E-2
IC701	D-2
IC702	C-2



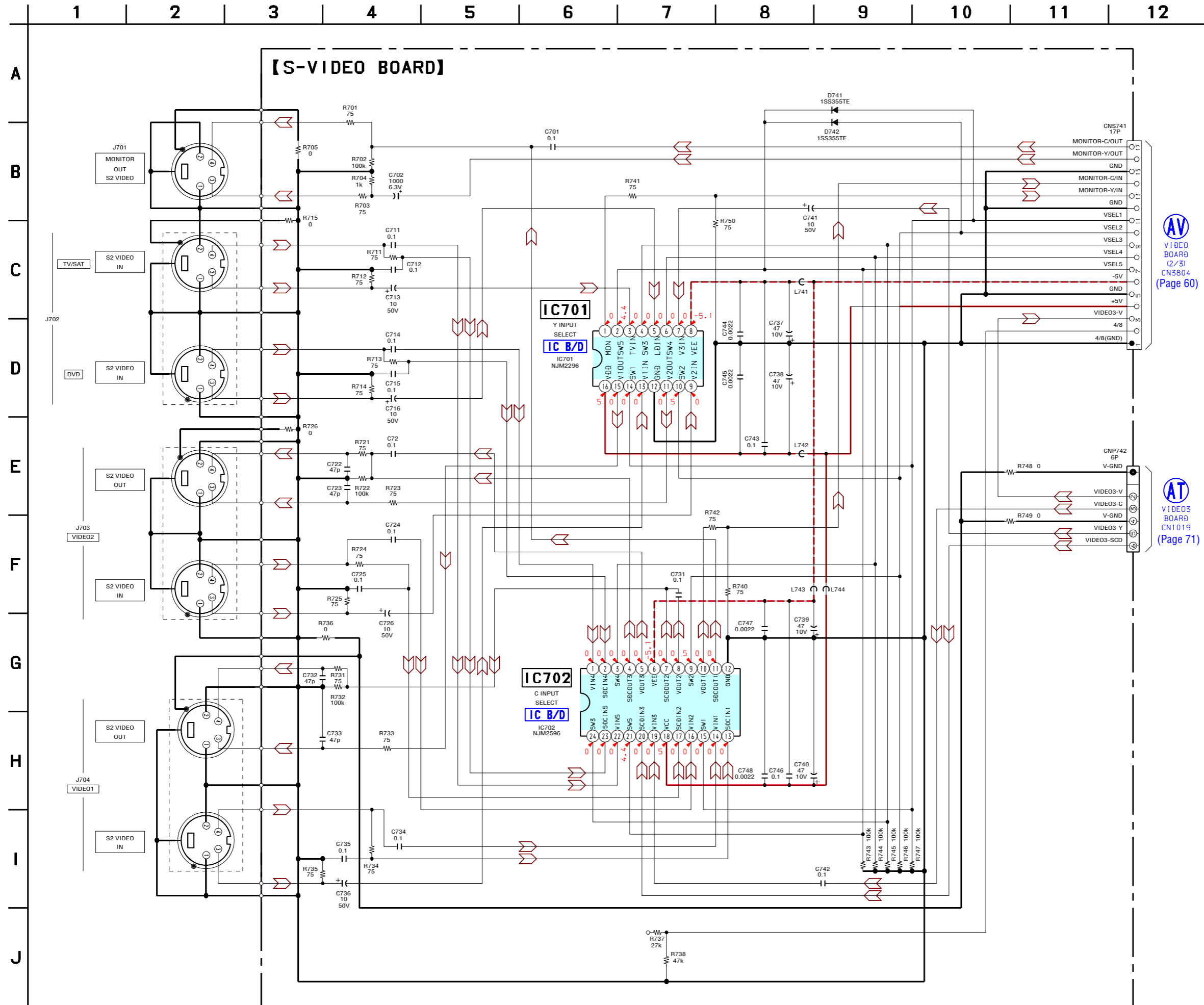
AT
VIDEO3 BOARD
CN1019
(Page 70)

AV
VIDEO BOARD
CN3804
(Page 63)

11
(13)


11
(13)

6-47. SCHEMATIC DIAGRAM – S-VIDEO Board – • See page 77 for IC Block Diagrams.



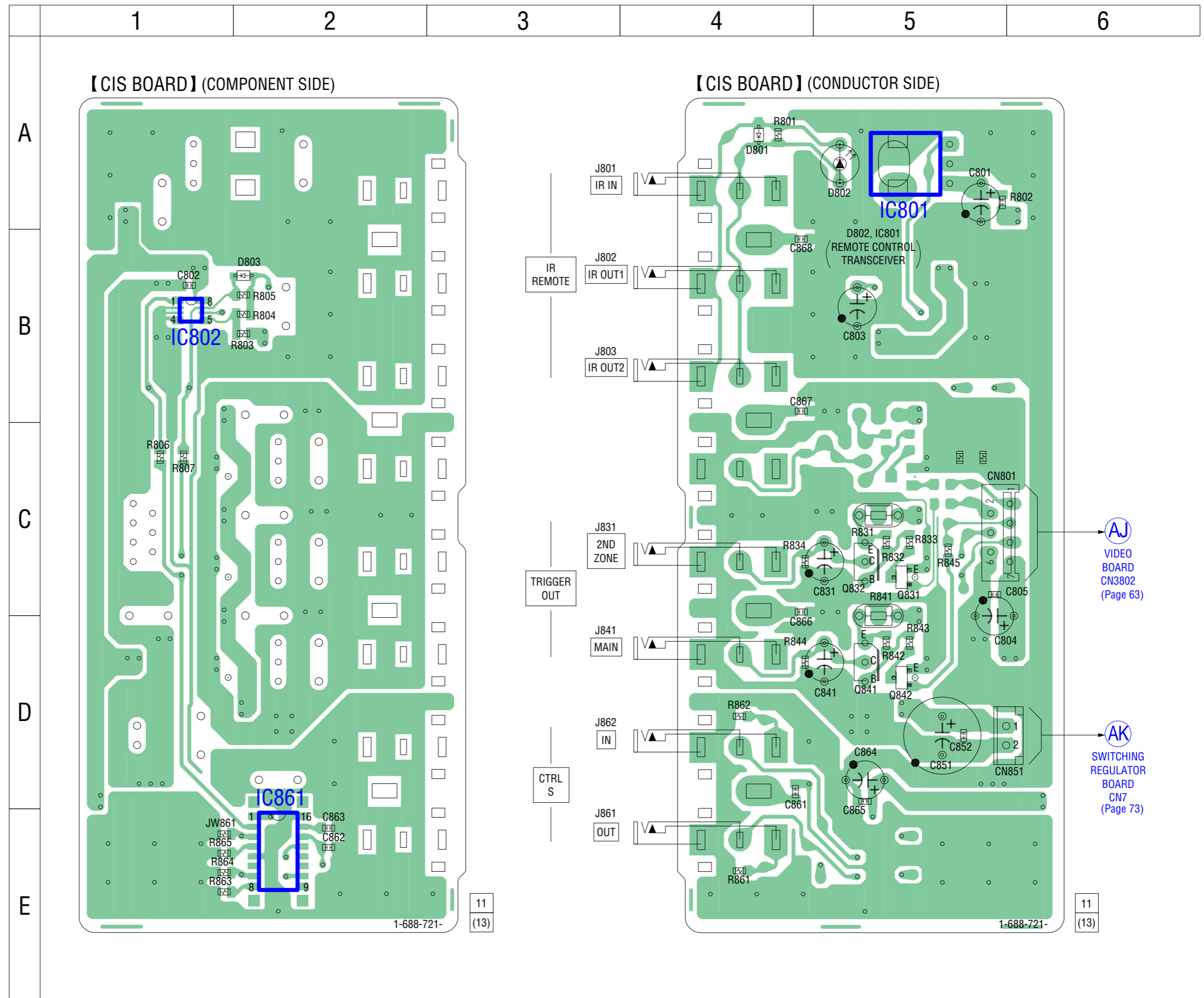
AV VIDEO BOARD (2/3) CN3804 (Page 60)

AT VIDEO BOARD CN1019 (Page 71)

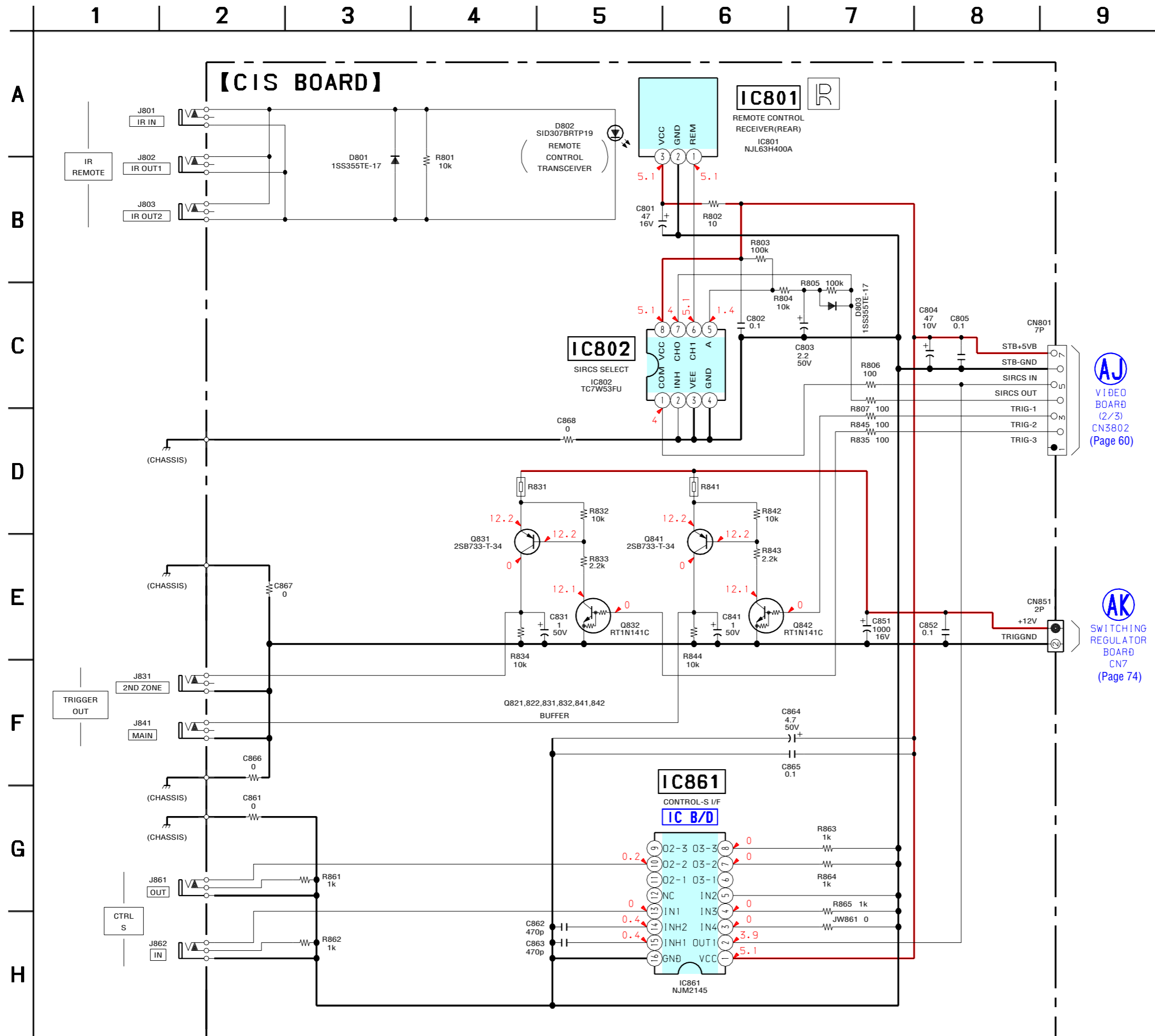
6-48. PRINTED WIRING BOARD – CIS Board – (US, CND models) • See page 29 for Circuit Boards Location.  :Uses unleaded solder.

• Semiconductor Location

Ref. No.	Location
D801	A-4
D802	A-5
D803	B-2
IC801	A-5
IC802	B-1
IC861	E-2
Q831	C-5
Q832	C-5
Q841	D-5
Q842	D-5



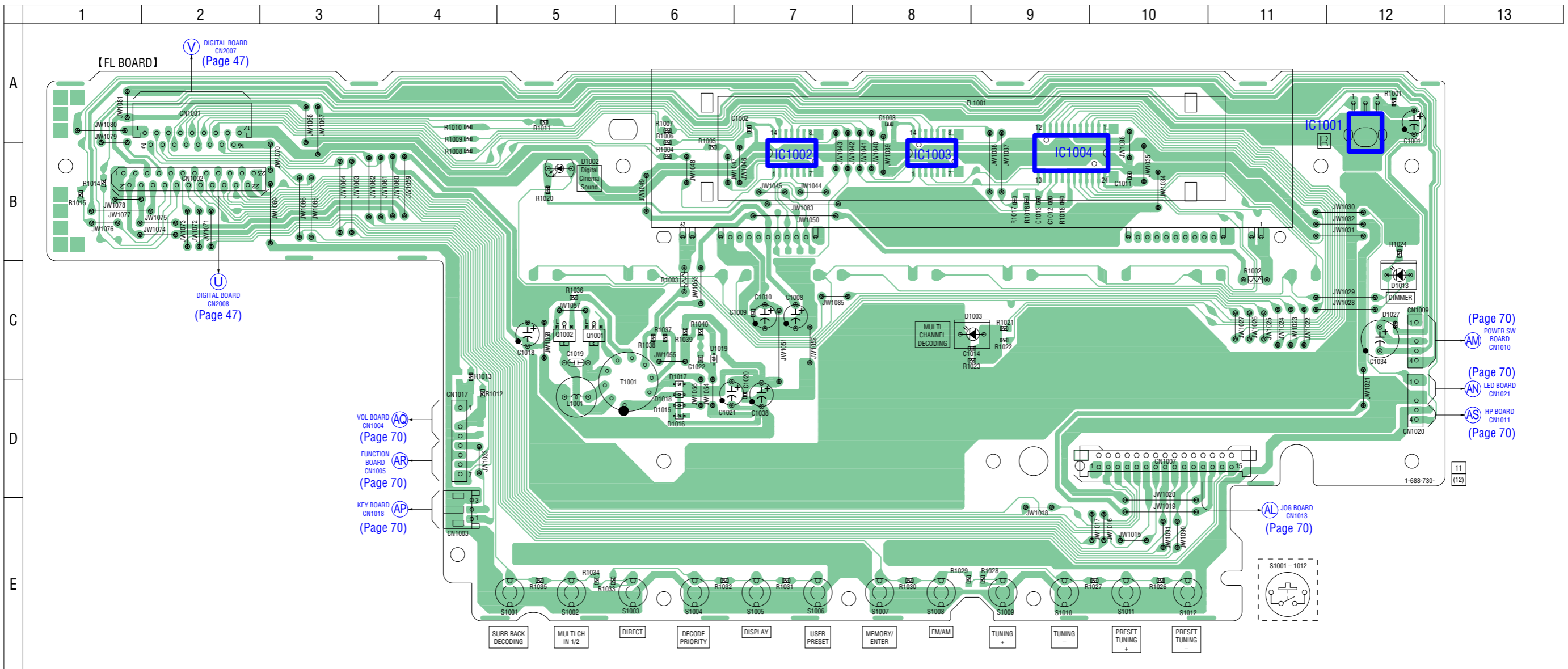
6-49. SCHEMATIC DIAGRAM – CIS Board – (US, CND models) • See page 77 for IC Block Diagrams.



AJ
VIDEO BOARD
(2/3)
CN3802
(Page 60)

AK
SWITCHING
REGULATOR BOARD
CN7
(Page 74)

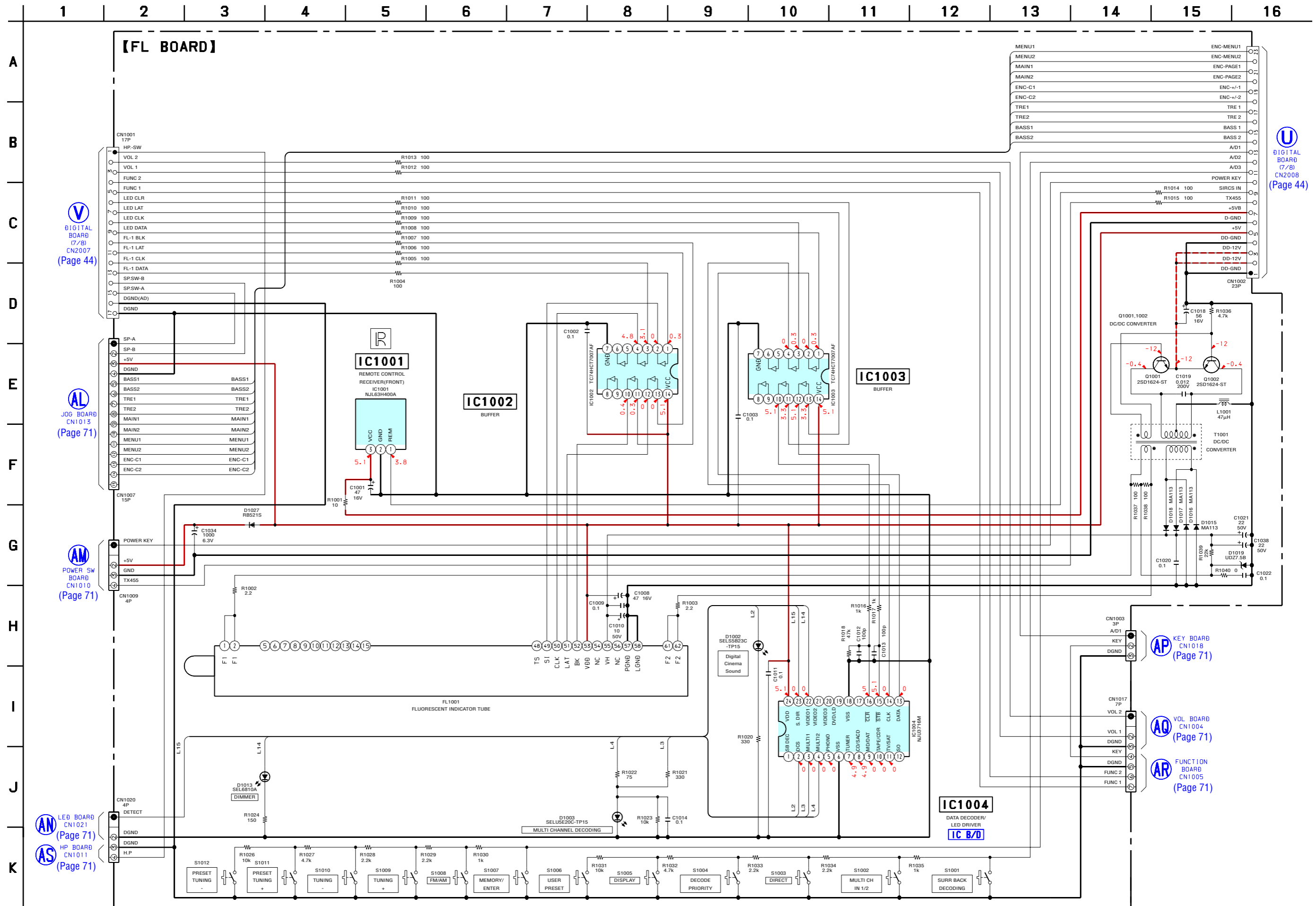
6-50. PRINTED WIRING BOARD – FL Board – • See page 29 for Circuit Boards Location.  :Uses unleaded solder.



• Semiconductor Location

Ref. No.	Location
D1002	B-5
D1003	C-9
D1013	C-12
D1015	D-6
D1016	D-6
D1017	D-6
D1018	D-6
D1019	C-6
D1027	C-12
IC1001	A-12
IC1002	B-7
IC1003	B-8
IC1004	B-9
Q1001	C-5
Q1002	C-5

6-51. SCHEMATIC DIAGRAM - FL Board -



DIGITAL BOARD (7/8) CN2007 (Page 44)

JOG BOARD CN1013 (Page 71)

POWER SW BOARD CN1010 (Page 71)

LED BOARD CN1021 (Page 71)


HP BOARD CN1011 (Page 71)

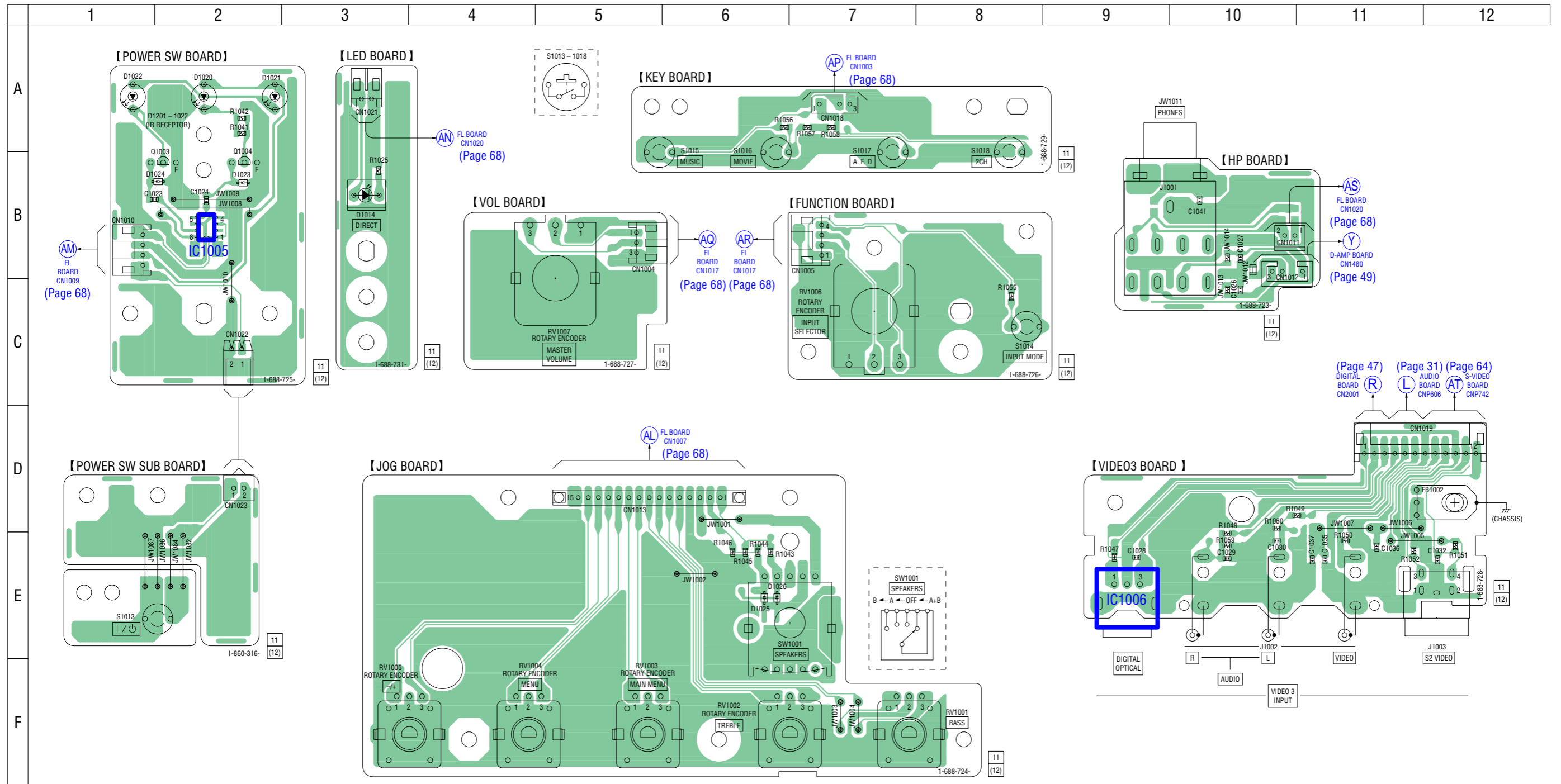
DIGITAL BOARD (7/8) CN2008 (Page 44)

KEY BOARD CN1018 (Page 71)

VOL BOARD CN1004 (Page 71)

FUNCTION BOARD CN1005 (Page 71)

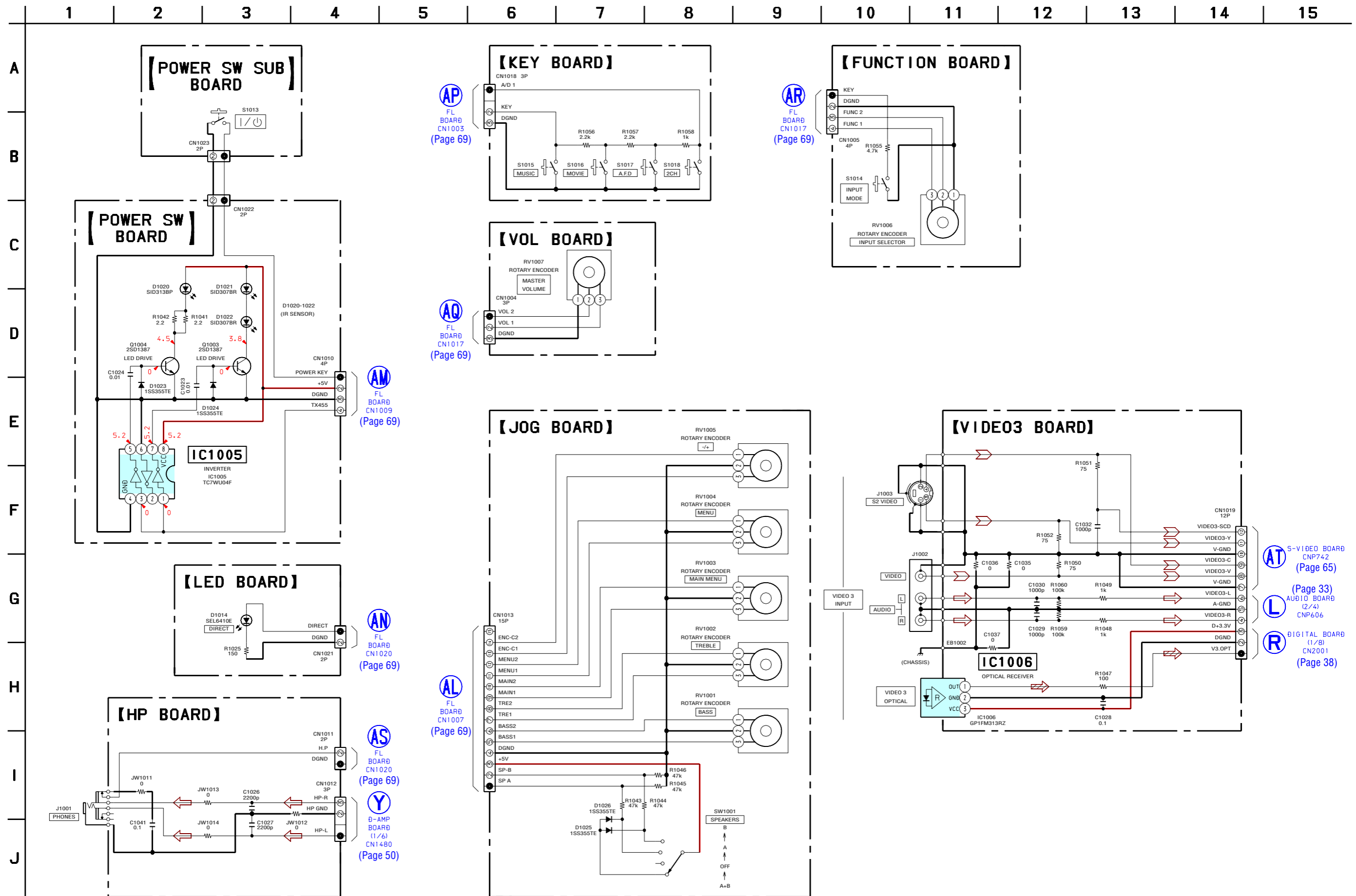
6-52. PRINTED WIRING BOARDS – PANEL Section – • See page 29 for Circuit Boards Location.  :Uses unleaded solder.




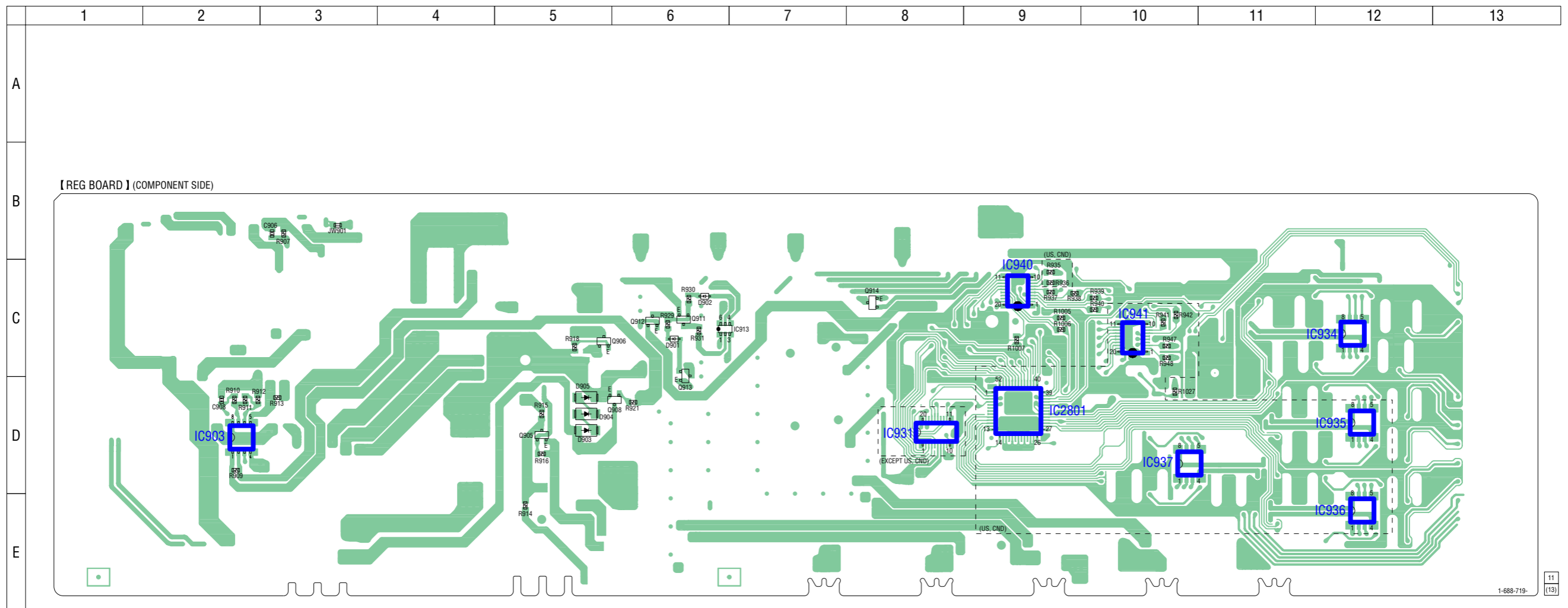
• Semiconductor Location

Ref. No.	Location
D1014	B-3
D1020	A-2
D1021	A-2
D1022	A-1
D1023	B-2
D1024	B-2
D1025	E-6
D1026	E-6
IC1005	B-2
IC1006	E-9
Q1003	B-2
Q1004	B-2

6-53. SCHEMATIC DIAGRAM – PANEL Section –




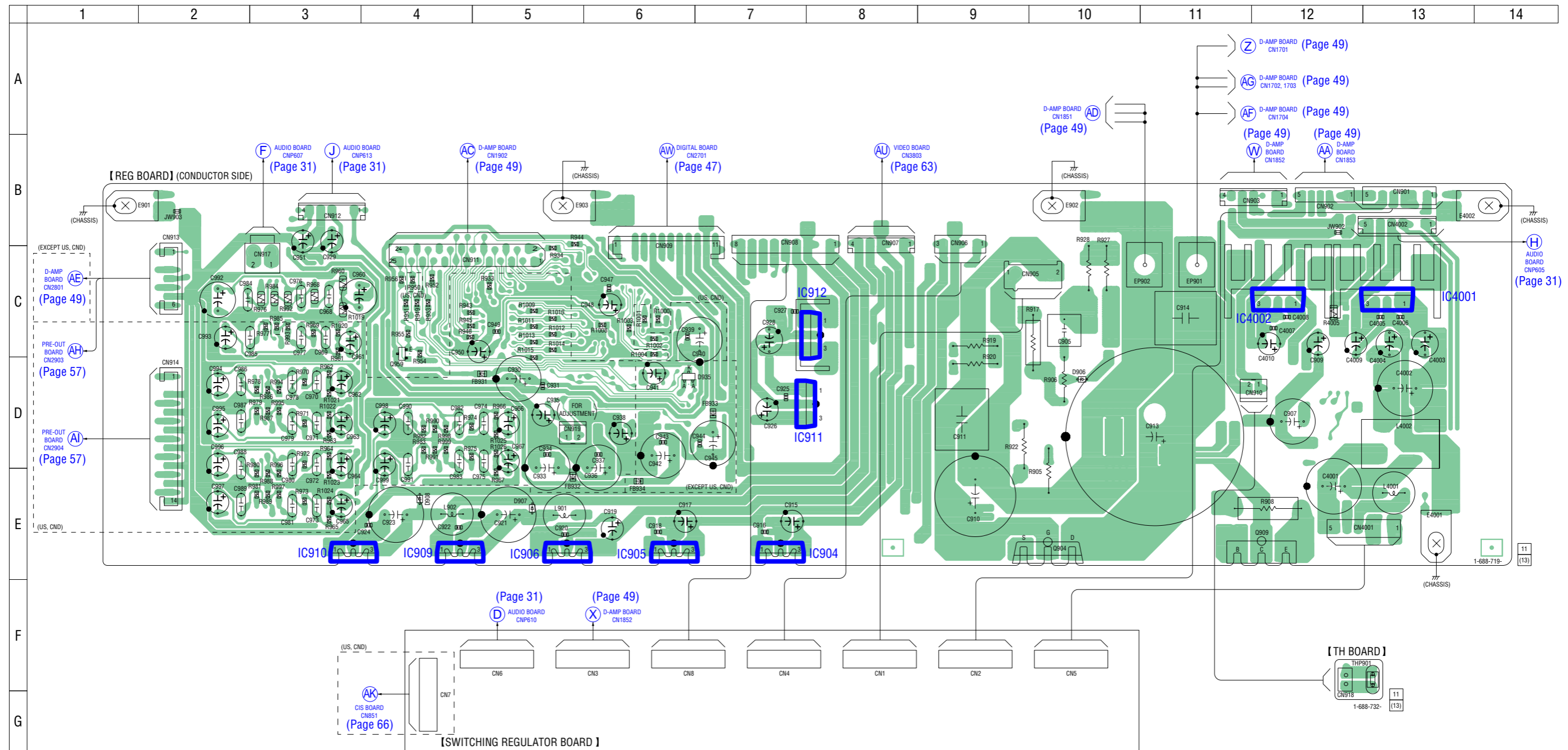
6-54. PRINTED WIRING BOARD – REG Section (Component Side) – • See page 29 for Circuit Boards Location.  :Uses unleaded solder.



• Semiconductor Location

Ref. No.	Location
D901	C-6
D902	C-6
D903	D-5
D904	D-5
D905	D-5
IC903	D-2
IC913	C-6
IC931	D-8
IC934	C-12
IC935	D-12
IC936	E-12
IC937	D-0
IC940	C-9
IC941	C-10
IC2801	D-9
Q905	D-5
Q906	C-5
Q908	E-6
Q911	C-6
Q912	C-6
Q913	C-6
Q914	C-8

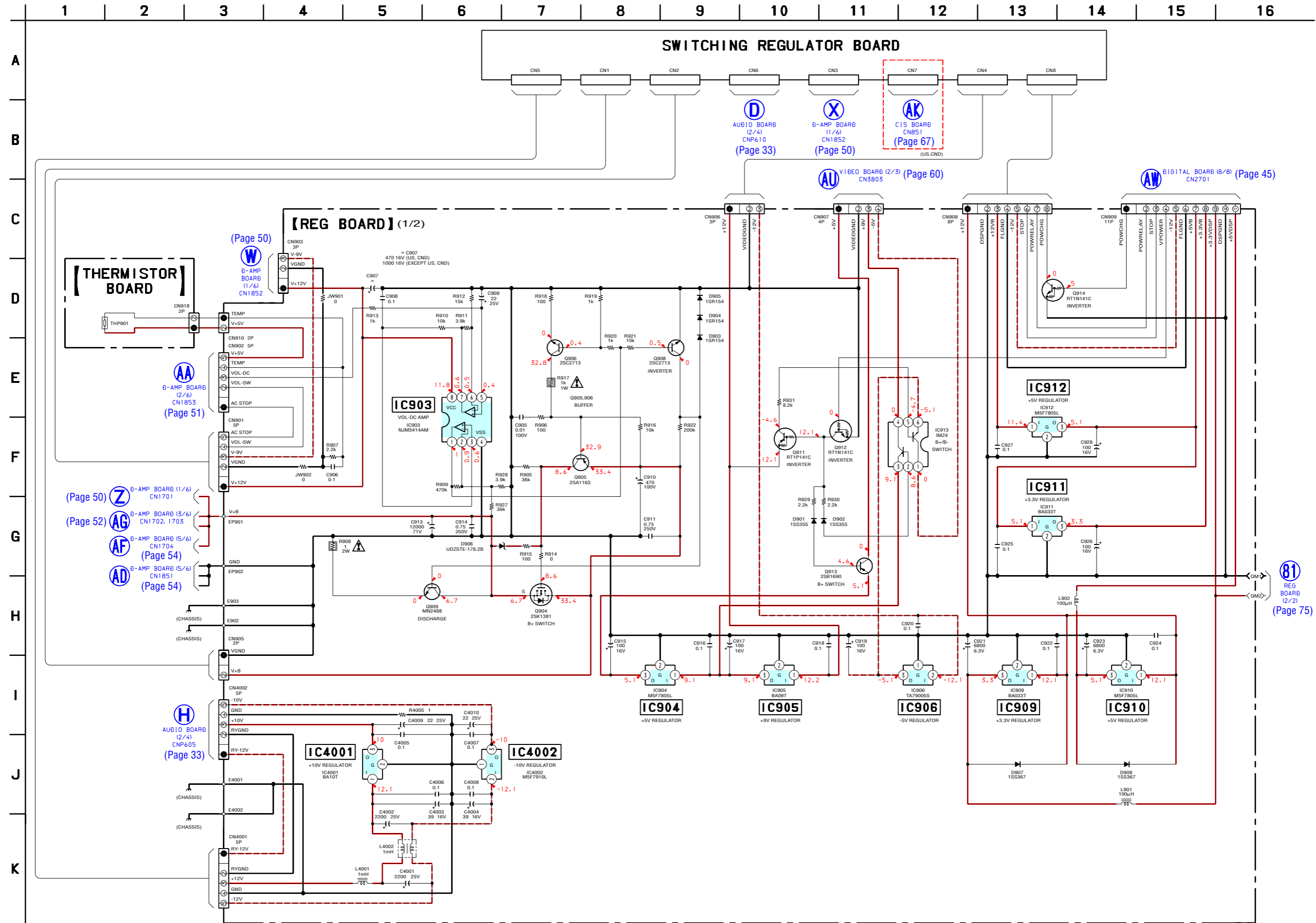
6-55. PRINTED WIRING BOARDS – REG Section (Conductor Side) – • See page 29 for Circuit Boards Location.  :Uses unleaded solder.



• Semiconductor Location

Ref. No.	Location
D906	D-10
D907	E-5
D908	E-4
D935	D-6
IC911	D-8
IC912	C-8
IC4001	C-13
IC4002	C-12
Q959	C-4

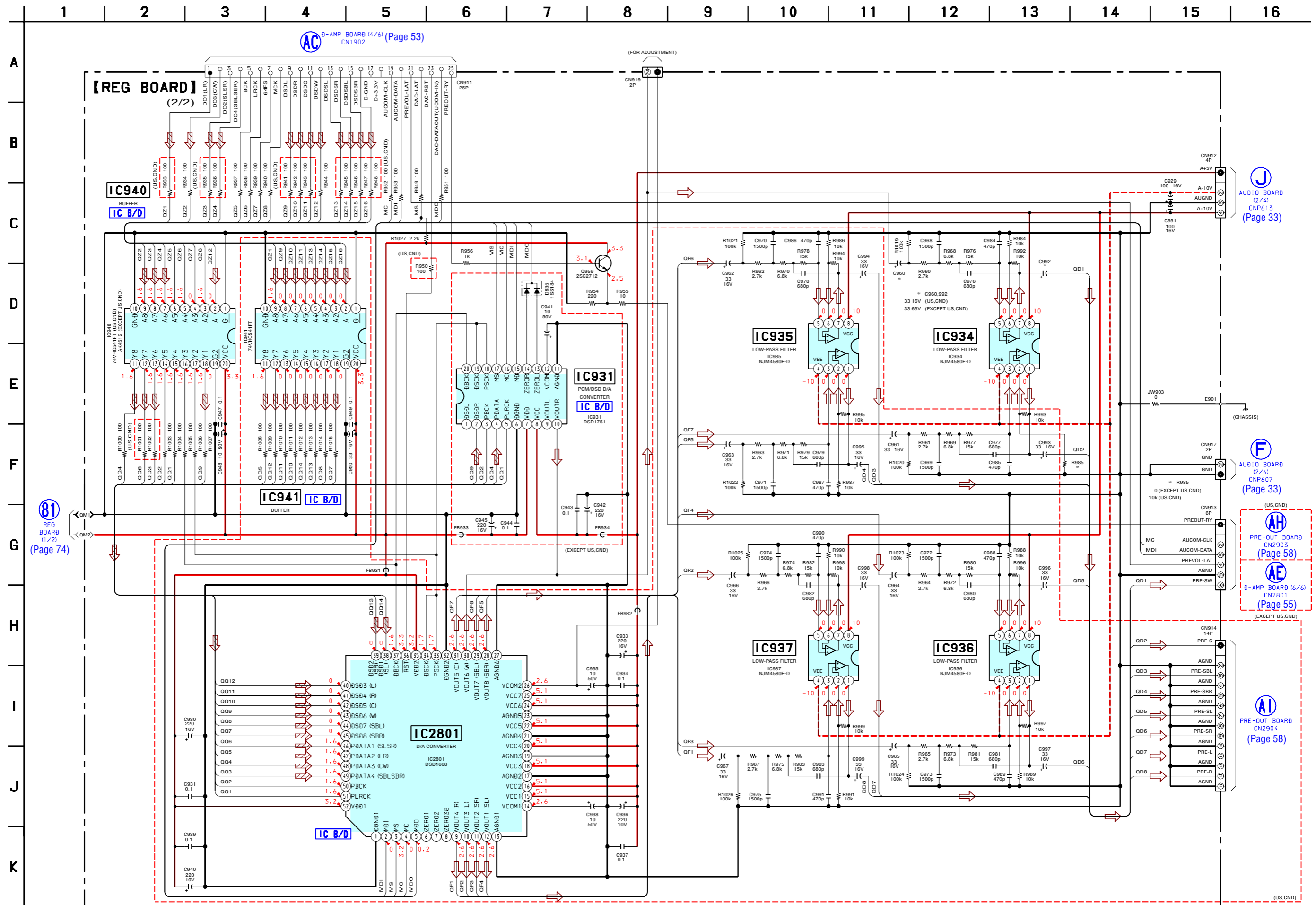
6-56. SCHEMATIC DIAGRAM – REG Section (1/2) –



The components identified by mark Δ or dotted line with mark Δ are critical for safety. Replace only with part number specified.

Les composants identifiés par une marque Δ sont critiques pour la sécurité. Ne les remplacer que par une pièce portant le numéro spécifié.

6-57. SCHEMATIC DIAGRAM – REG Section (2/2) – • See page 77 for IC Block Diagrams.



AUDIO BOARD (2/4) CNP613 (Page 33)

AUDIO BOARD (2/4) CNP607 (Page 33)

PRE-OUT BOARD CN2903 (Page 58)

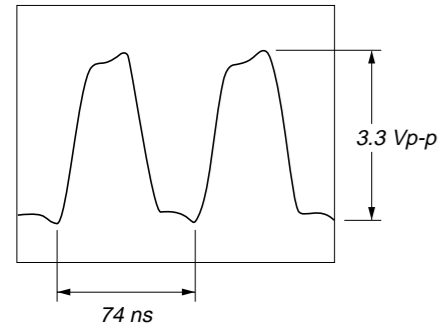
D-AMP BOARD (6/6) CN2801 (Page 55)

PRE-OUT BOARD CN2904 (Page 58)

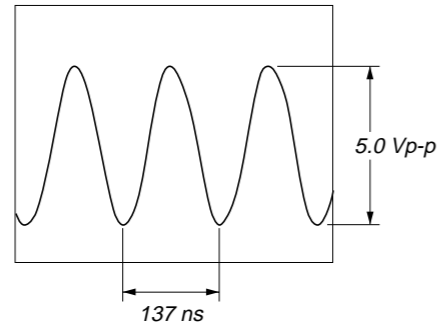
• Waveforms

– DIGITAL Board –

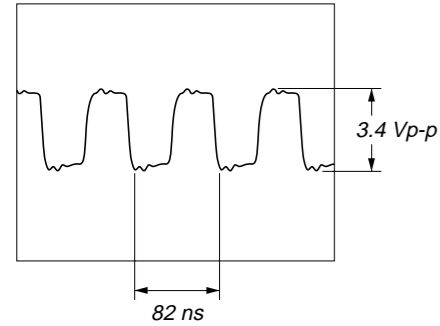
① IC2201 ⑫ (MCLK2)



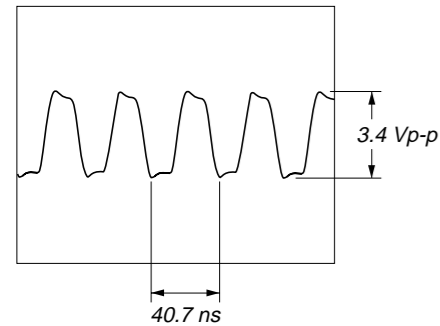
⑥ IC2701 ⑯ (XOUT)



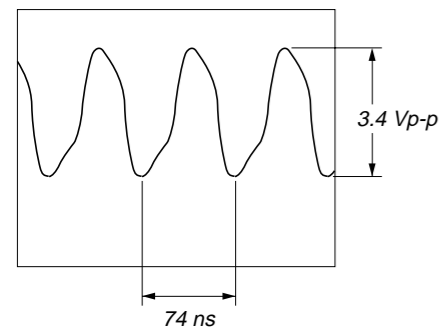
② IC2121 ⑳ (XIN)



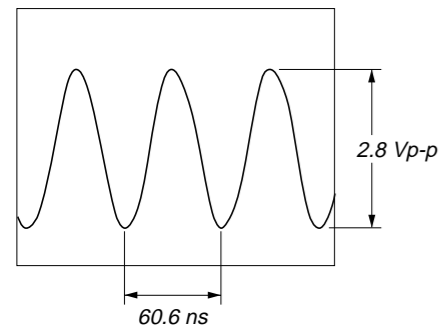
③ IC2125 ① (A2)



④ IC2251 ⑬ (MCLK2)

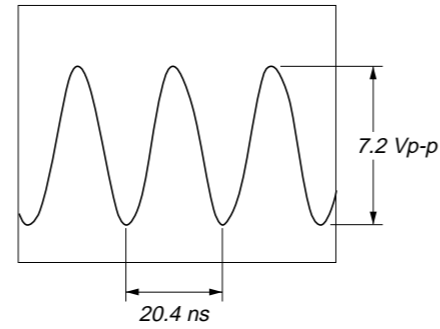


⑤ IC2601 ⑭ (XO)

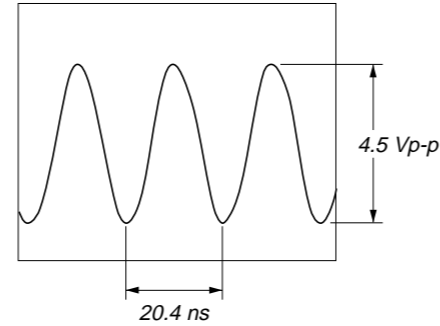


– D-AMP Board –

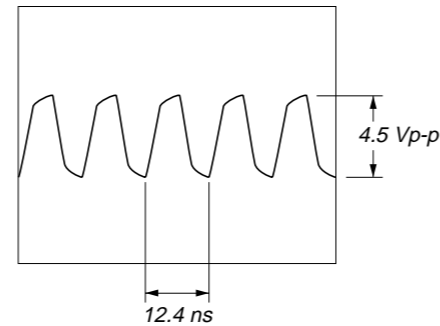
⑪ IC1471 ④ (Y)



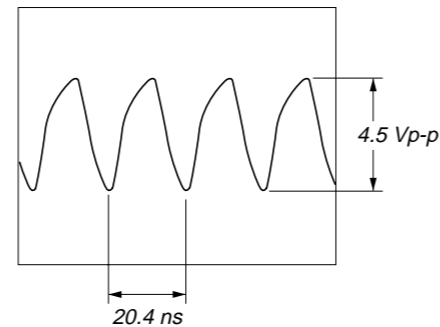
⑫ IC1401 ⑳ (XFSOIN)



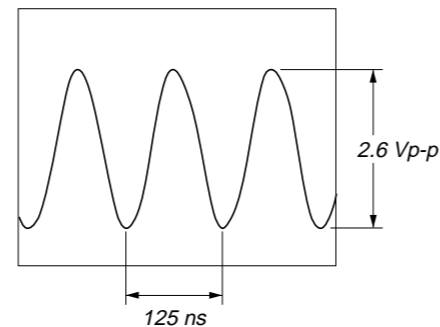
⑬ IC1401 ④ (XFSIIN)



⑭ IC1401 ⑦ (XFSOOUT)

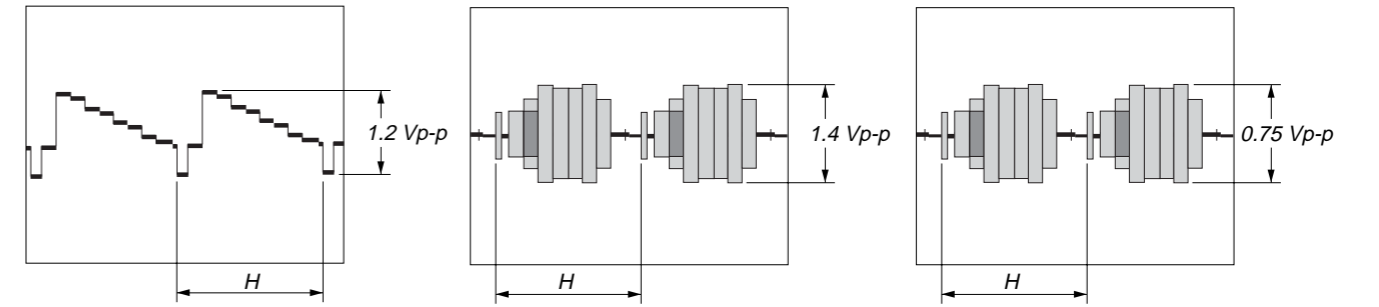


⑮ IC1800 ⑳ (XO)

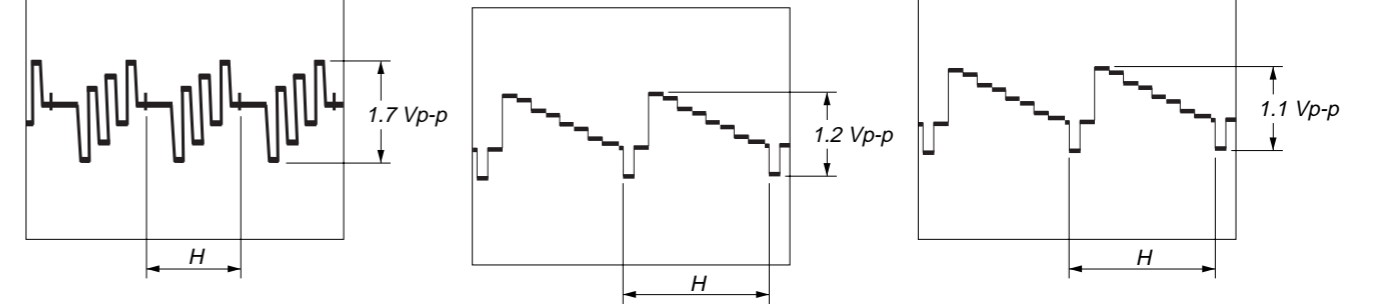


– VIDEO Board –

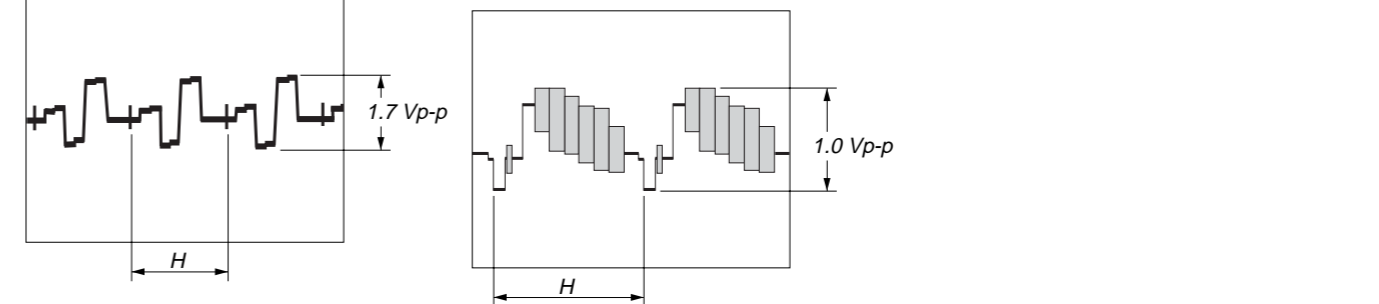
⑳ IC3701 ⑱ (YOUT) (NTSC color bar mode) ㉔ IC3701 ㉓ (CIN) (NTSC color bar mode) ㉕ IC3601 ⑦ (ACO) (NTSC color bar mode)



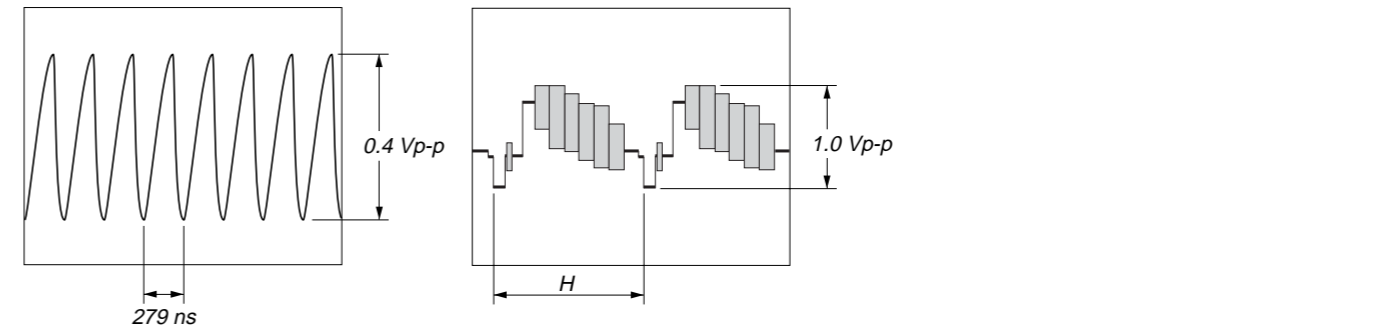
㉖ IC3701 ⑰ (UOUT) (NTSC color bar mode) ㉗ IC3701 ㉔ (CVBS/Y IN) (NTSC color bar mode) ㉕ IC3601 ⑨ (AYO) (NTSC color bar mode)



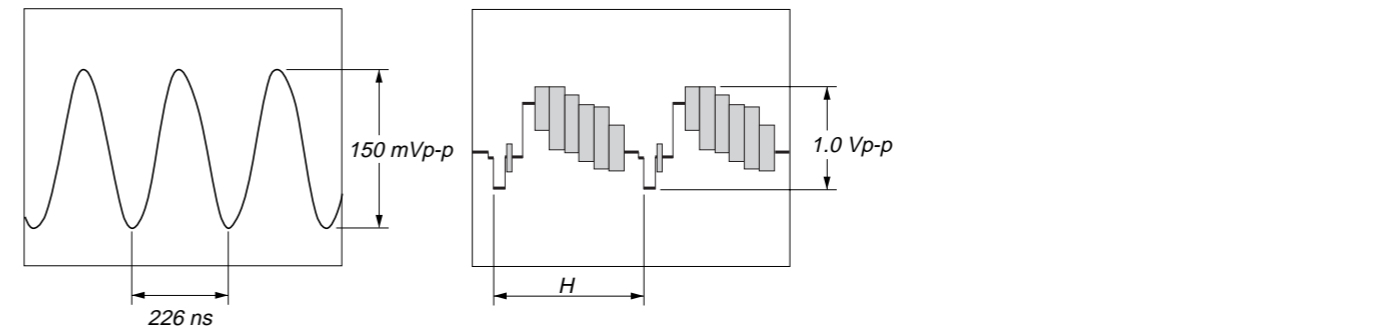
㉖ IC3701 ⑳ (VOUT) (NTSC color bar mode) ㉘ IC3451 ④ (VOUT1) (NTSC color bar mode)



㉘ IC3701 ㉖ (XNTSC) ㉙ IC3431 ⑬ (V1.IN) (NTSC color bar mode)

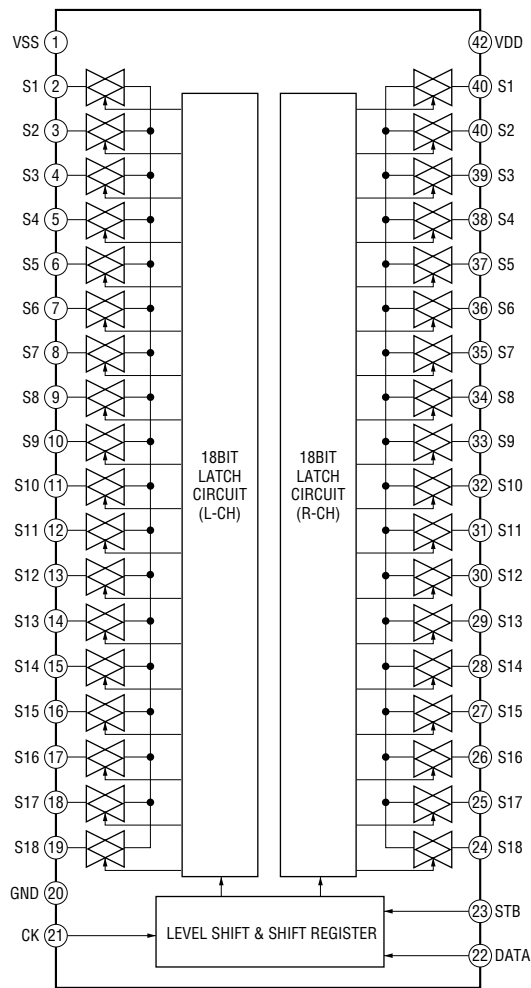


㉙ IC3701 ㉖ (X443/358) ㉚ IC3651 ⑭ (XCOM) (NTSC color bar mode)

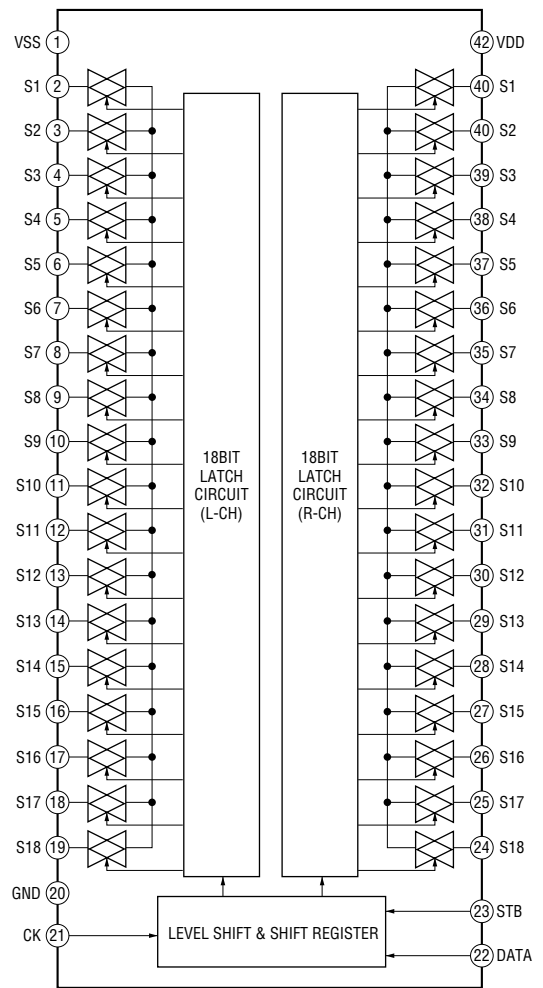


• IC Block Diagrams
– AUDIO Board –

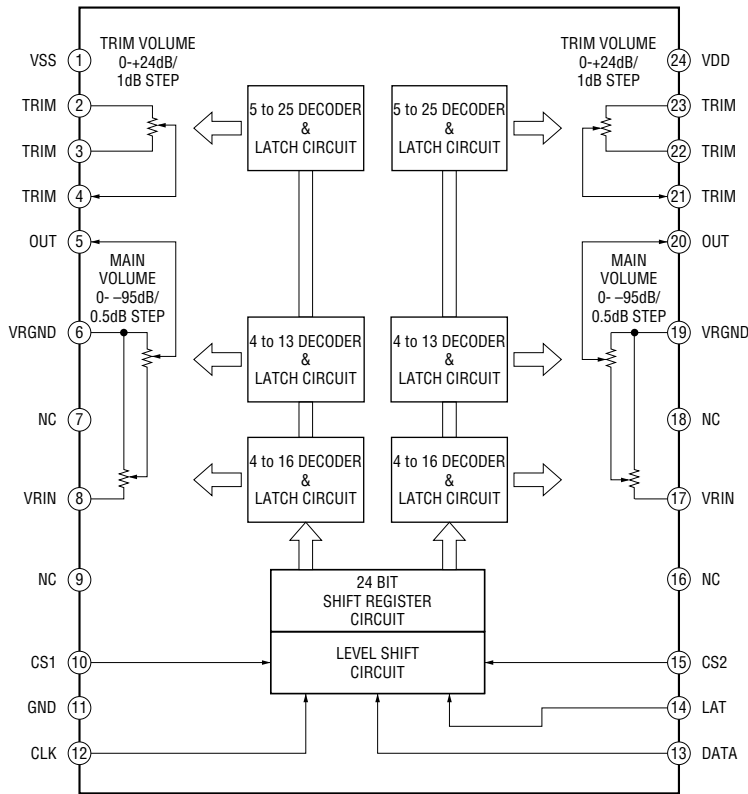
IC326, 341 TC9274N-016



IC401, 501 TC9274N-015

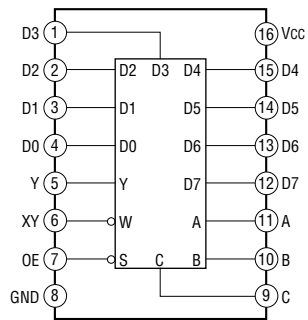


IC642 CXD9725M

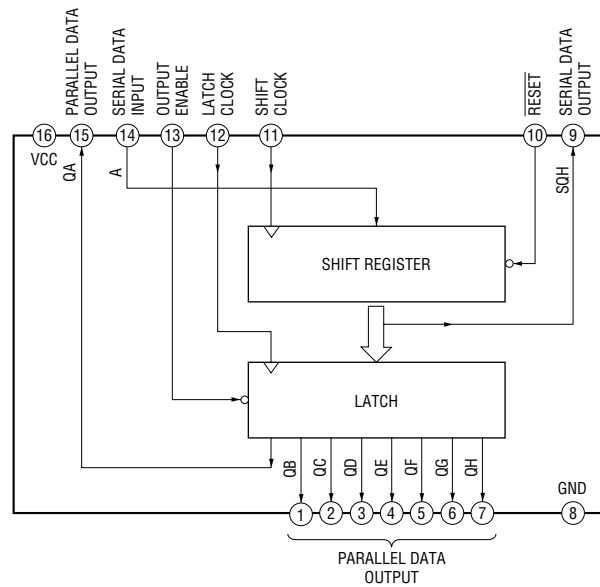


– DIGITAL Board –

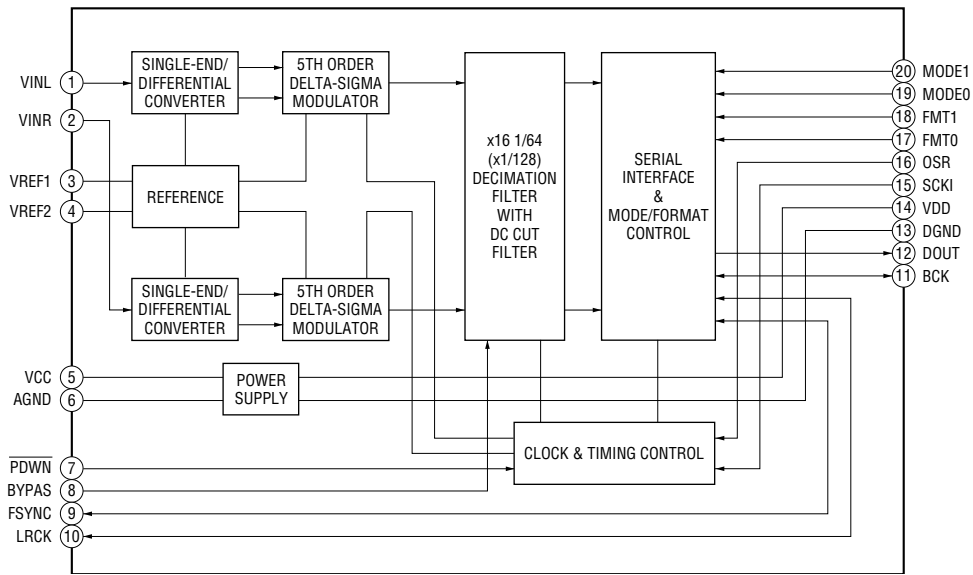
IC2005 TC74HC151AF (EL)



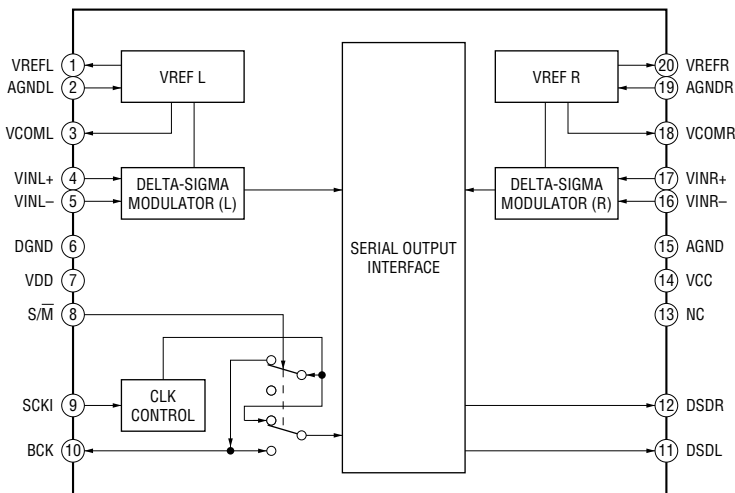
IC2008, 2461, 2462 TC74HC595AF (EL)



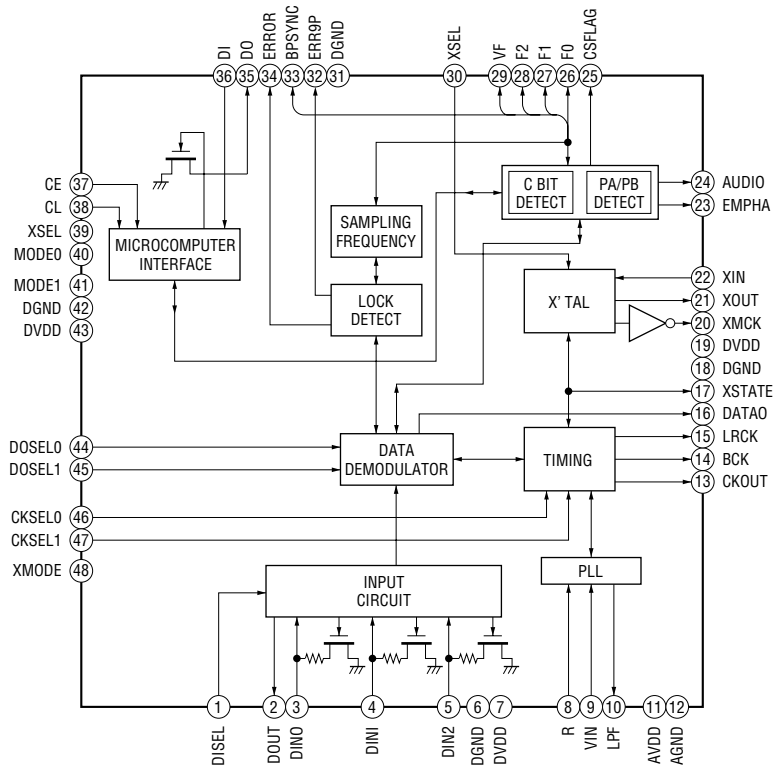
IC2010 PCM1802DBR



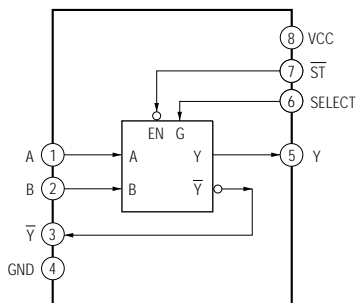
IC2012-2015 DSD1800DBR



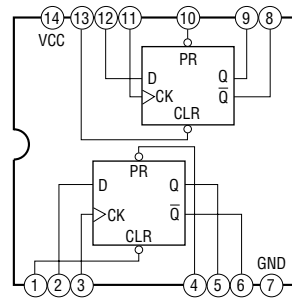
IC2121 LC89056W-E



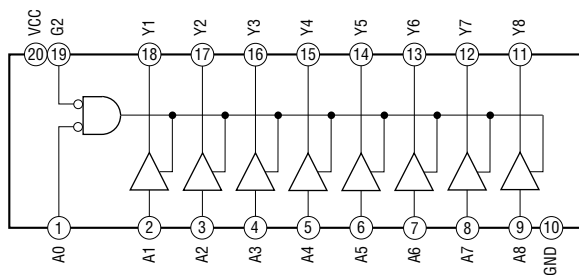
IC2123, 2207 TC7WH157FU (TE12R)



IC2429 TC74VHC74FT (EL)

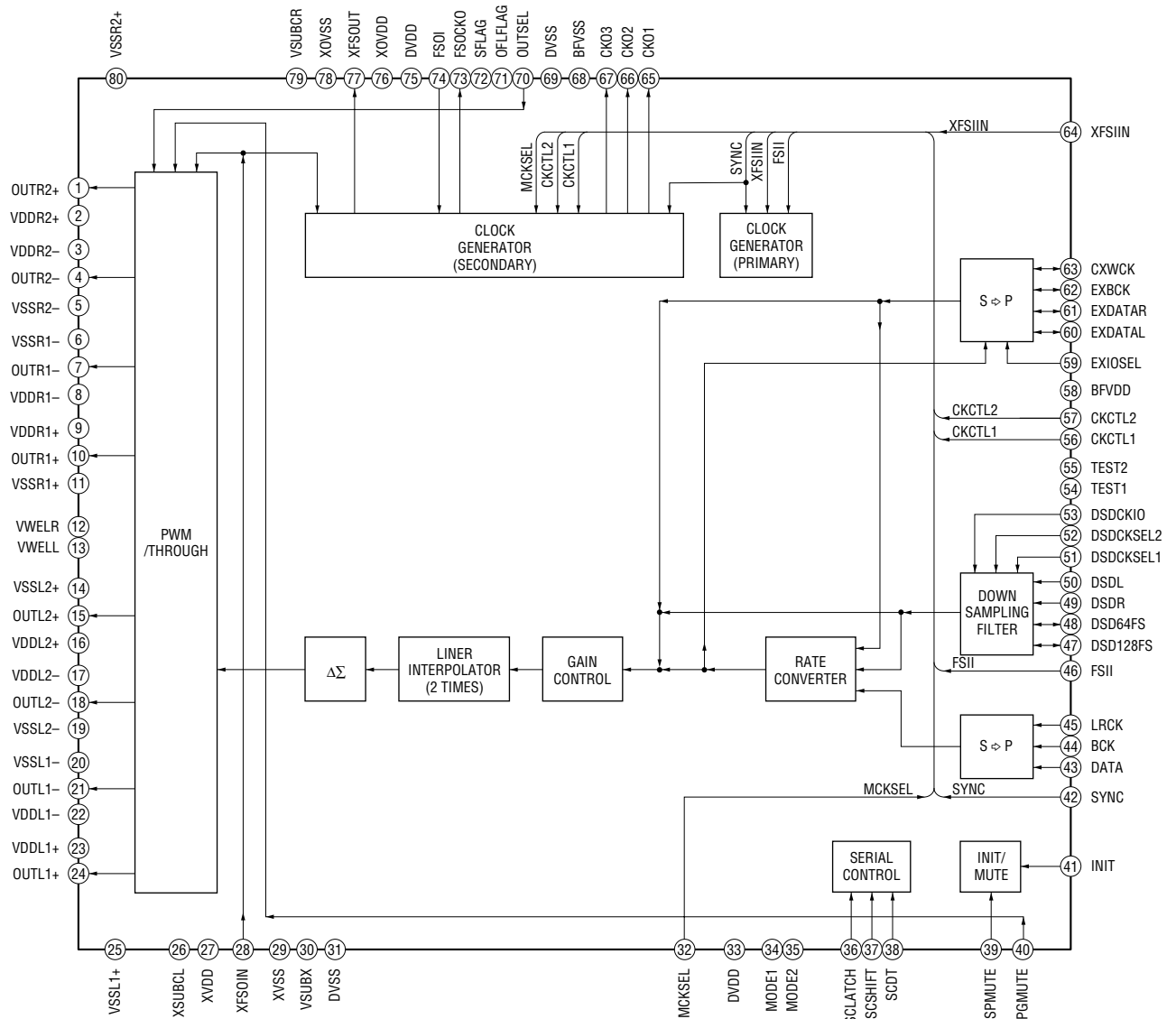


IC2501-2503 TC74AC541FT (EL)

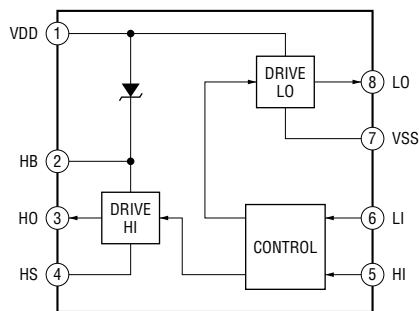


- D-AMP Board -

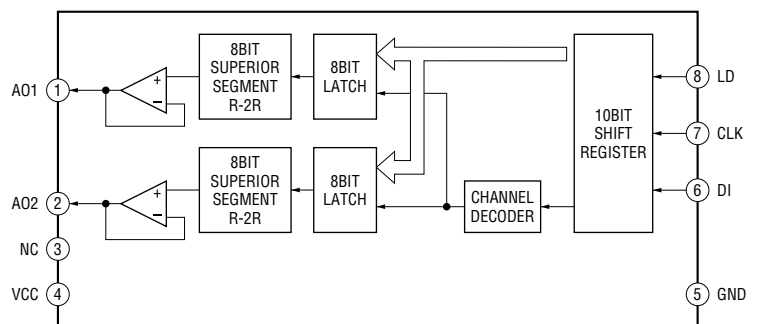
IC1401-1404 CXD9730Q



IC1531-1537, 1541-1547 HIP2101BZT

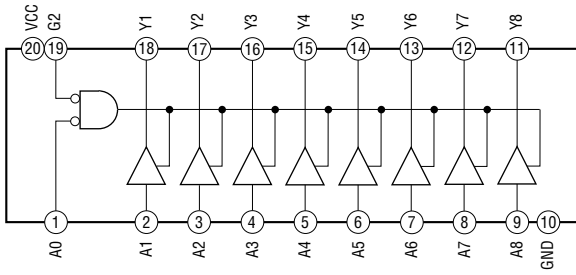


IC1841 M62342FP

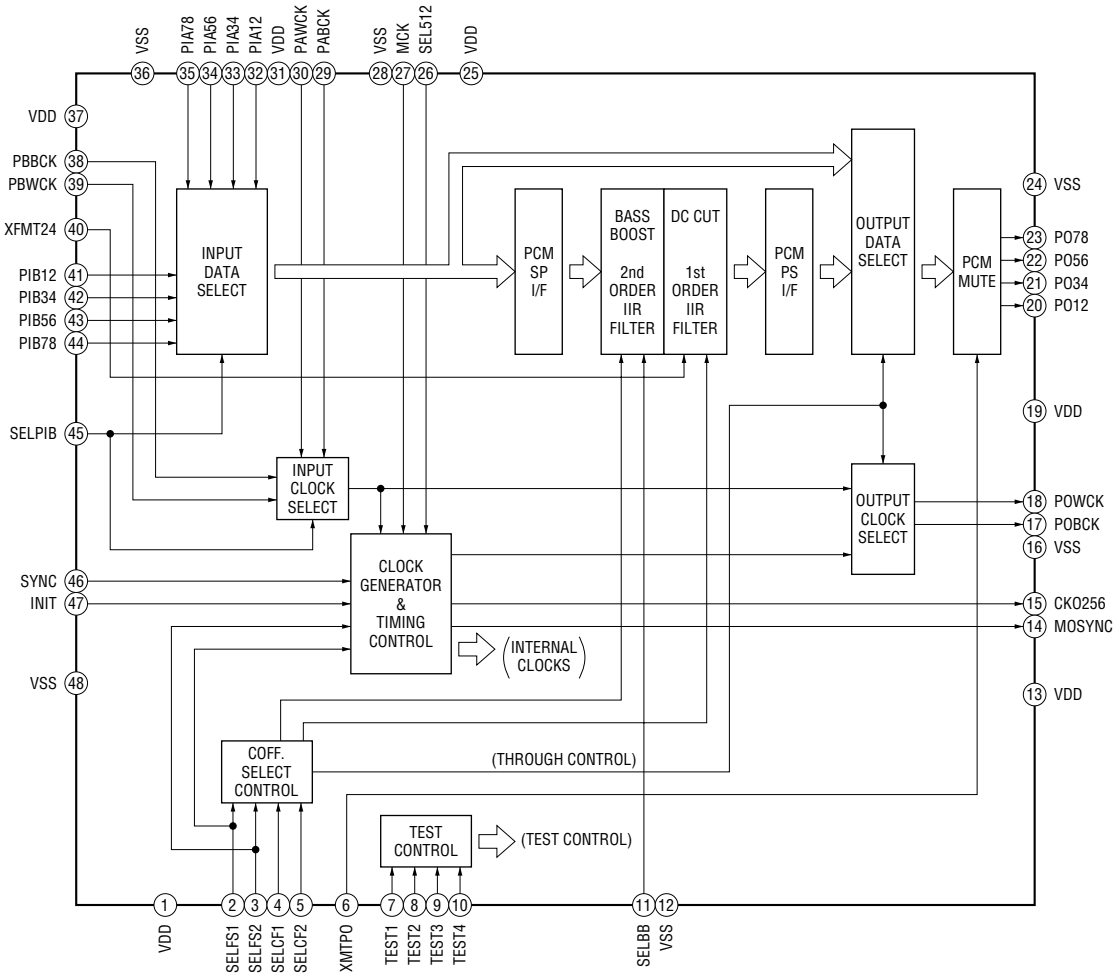


STR-DA3000ES

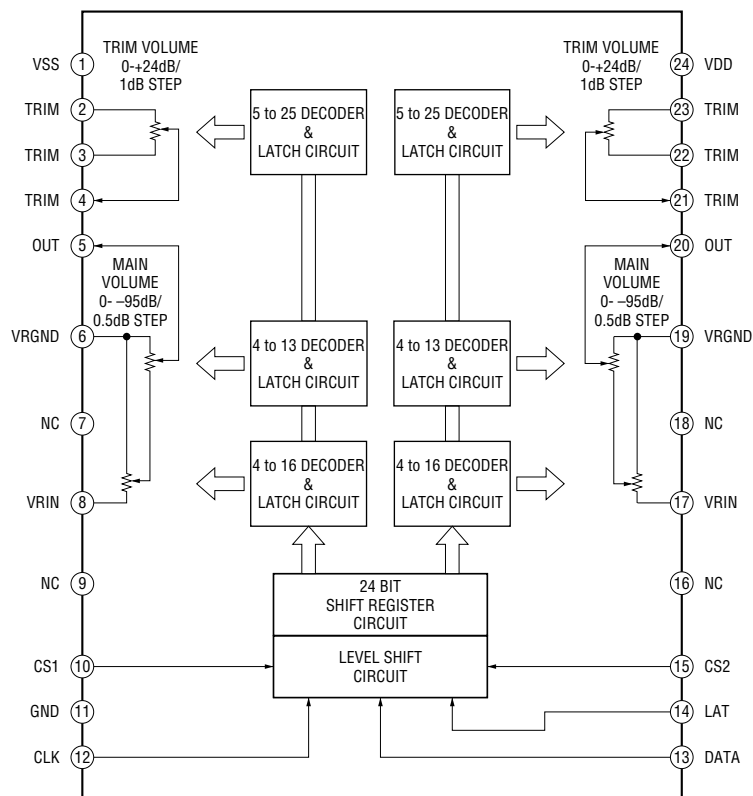
IC1900, 1910, 1940 TC74VHC541FT (EL)



IC1950 CXD9776AQ

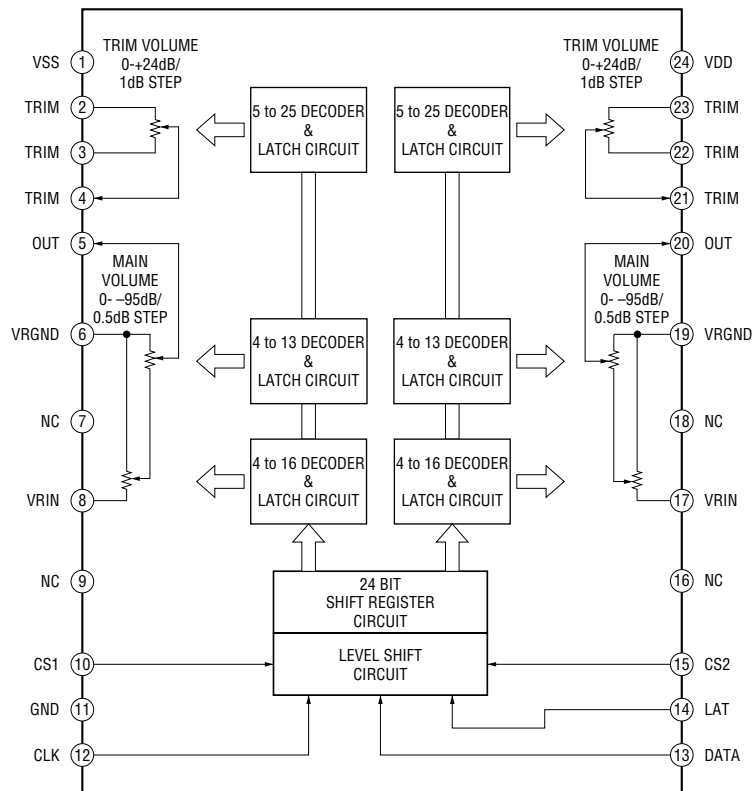


IC2862 CXD9725M



– PRE-OUT Board –

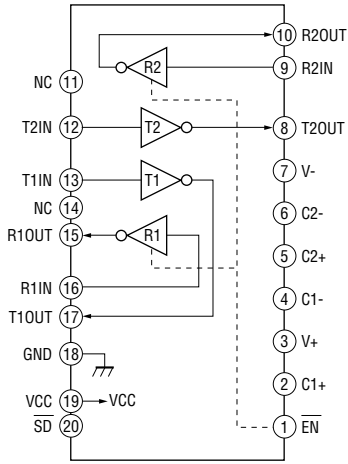
IC2812, 2862, 2912, 2962 CXD9725M



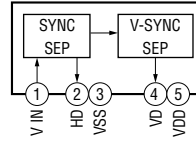
STR-DA3000ES

- VIDEO Board -

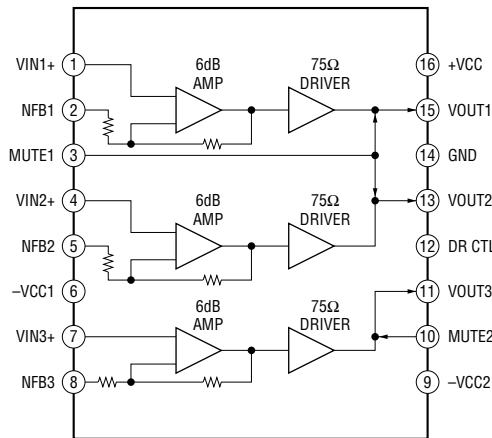
IC3201 ADM3222ARU-REEL



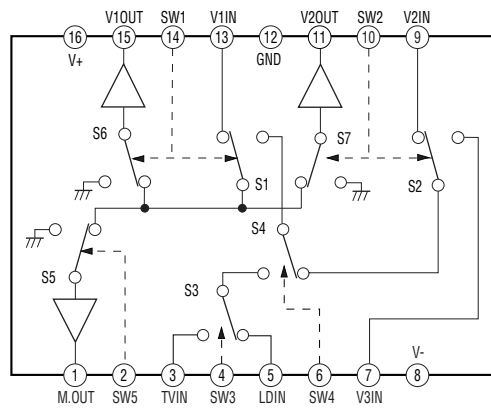
IC3311, 3731 LA7213



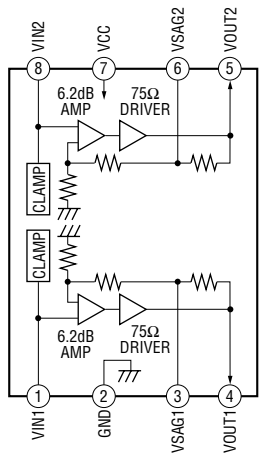
IC3321 LA7106M-TLM



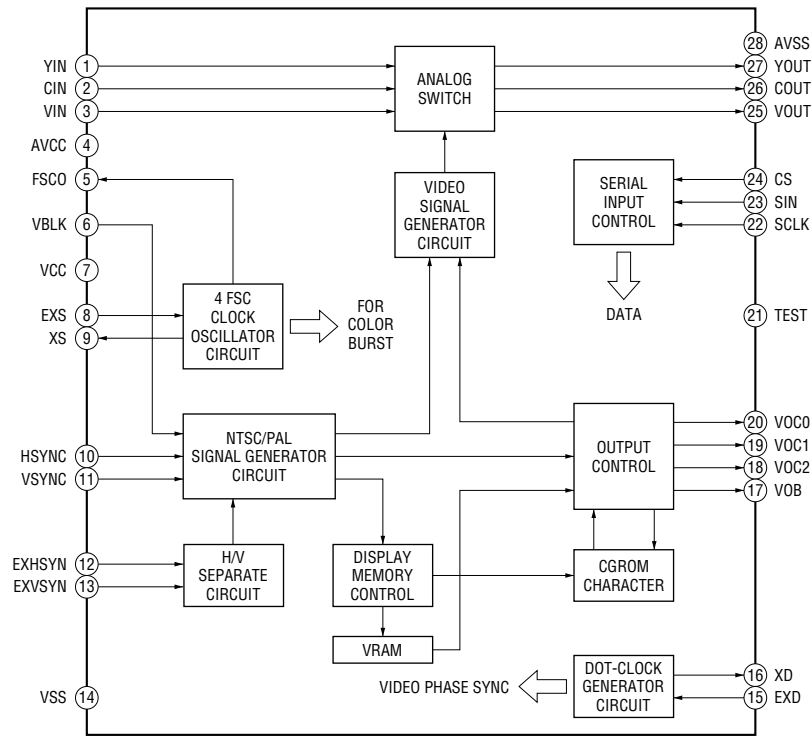
IC3421, 3431 NJM-2296M-TE2



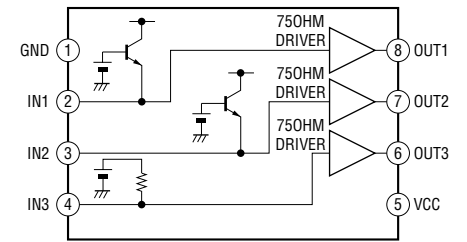
IC3451, 3641 NJM2267M (TE2)



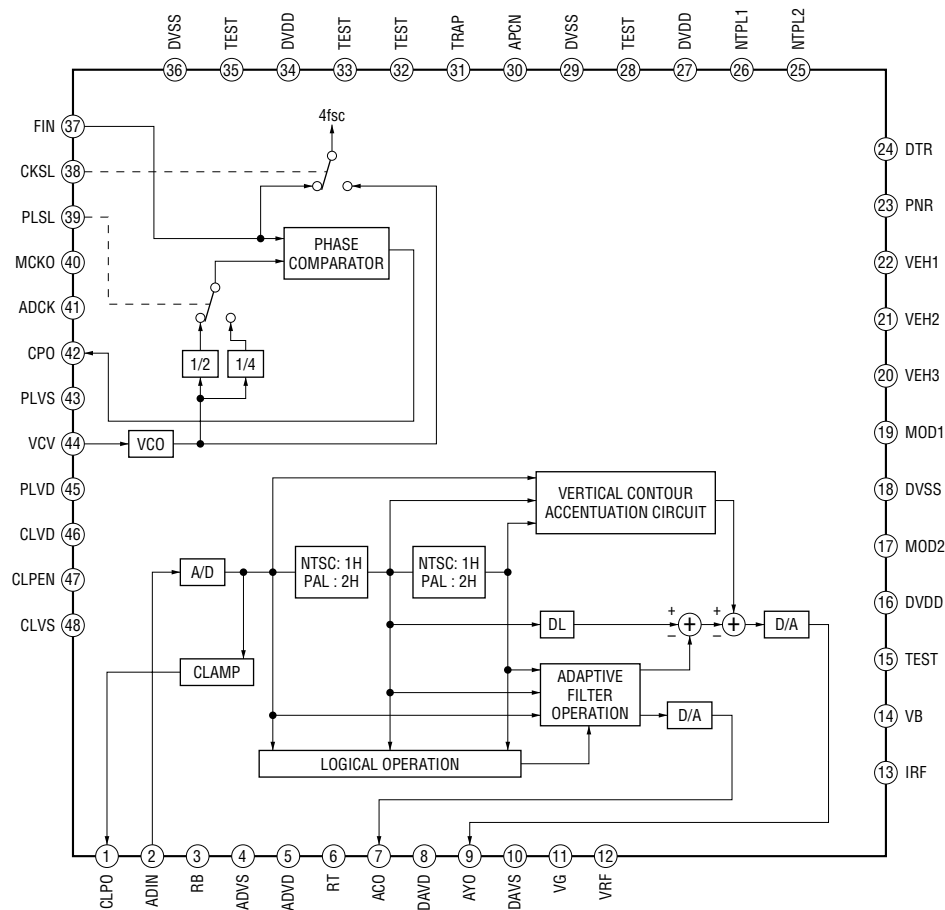
IC3501 MB90089F-G-238-BND



IC3521 BA7622F-E2-A

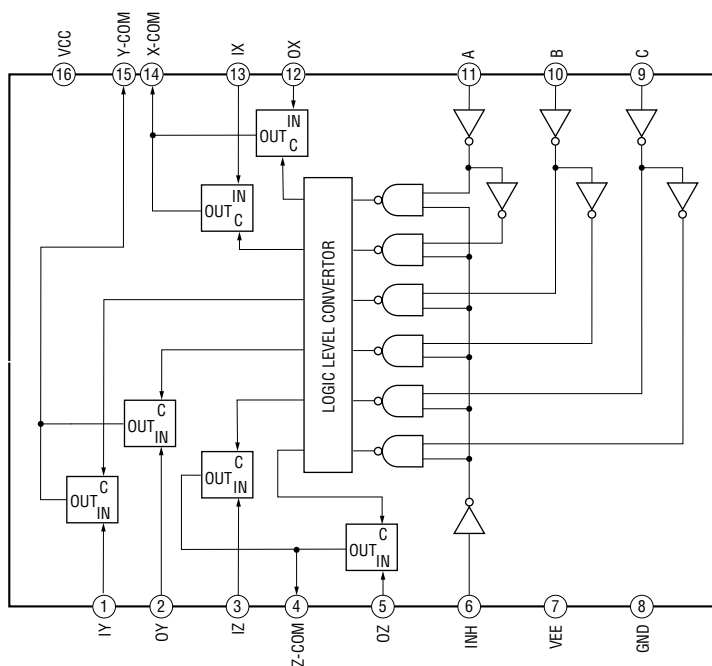


IC3601 CXD2064Q

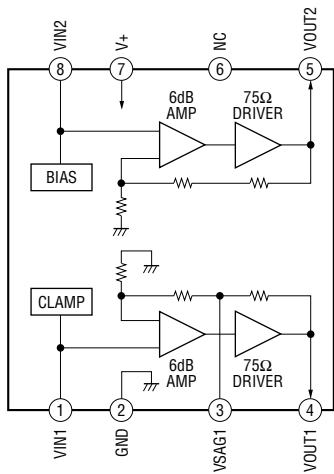


STR-DA3000ES

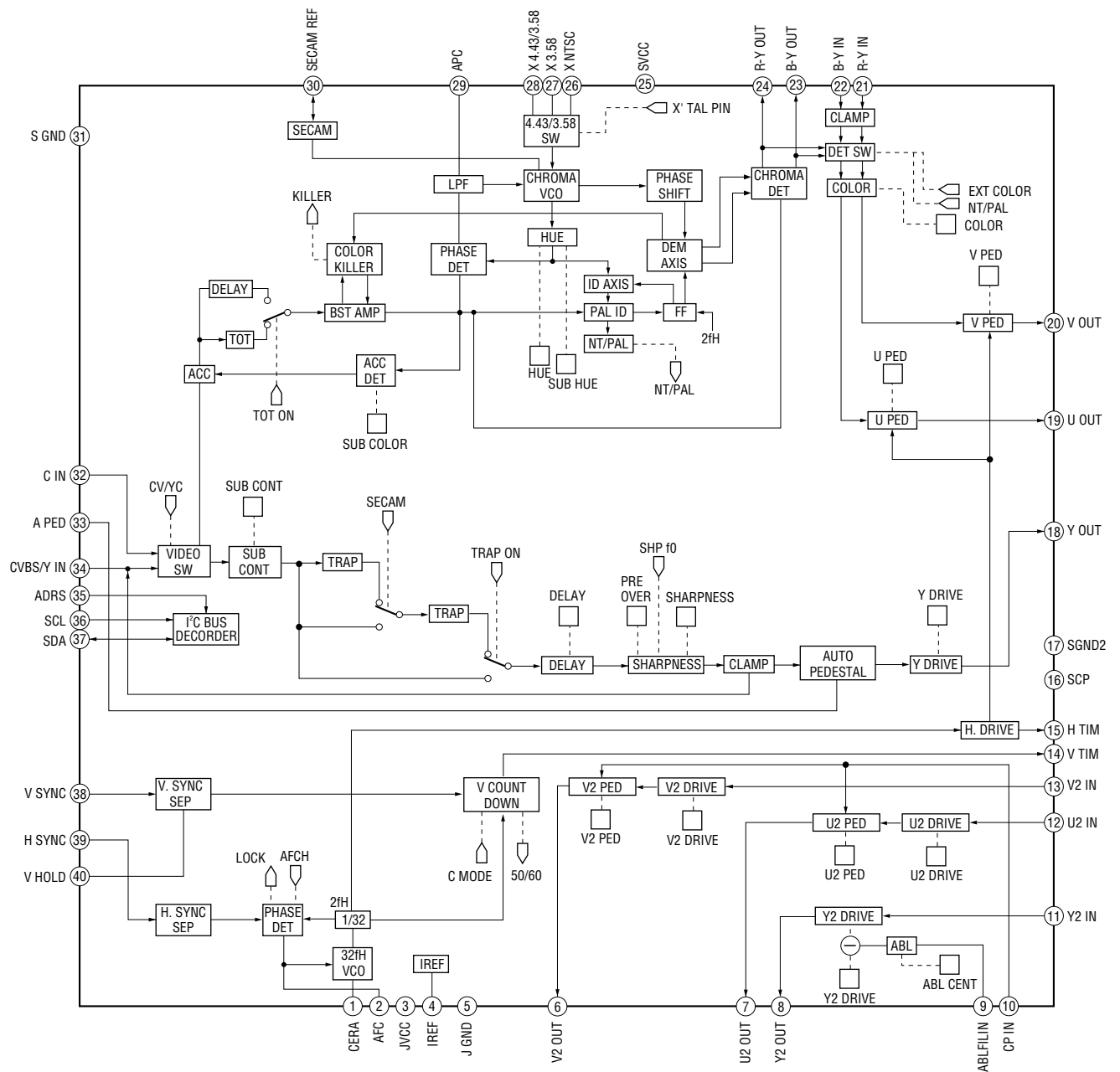
IC3651, 3661, 3751 TC74HC4053AFEL



IC3671, 3741 NJM2268V (TE2)

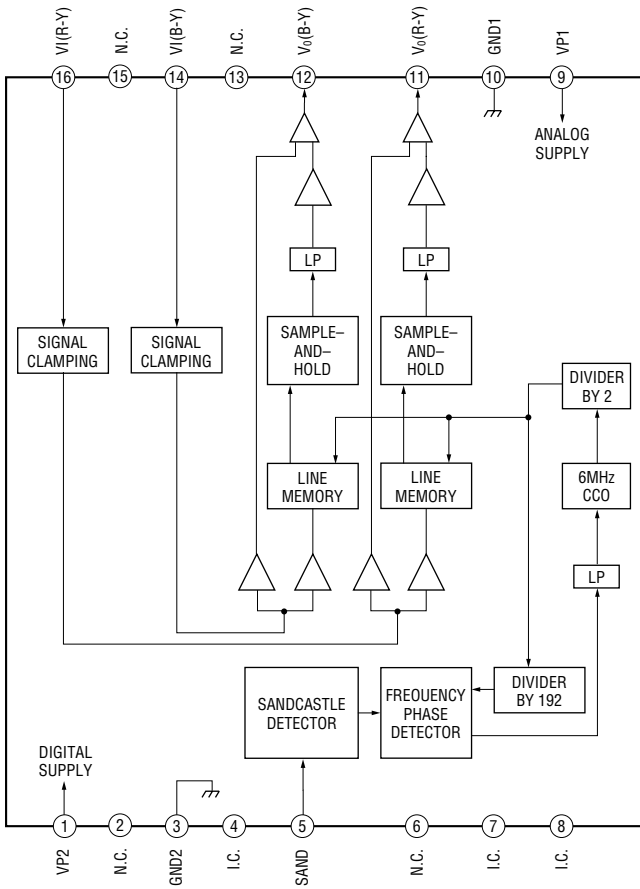


IC3701 CXA2199Q

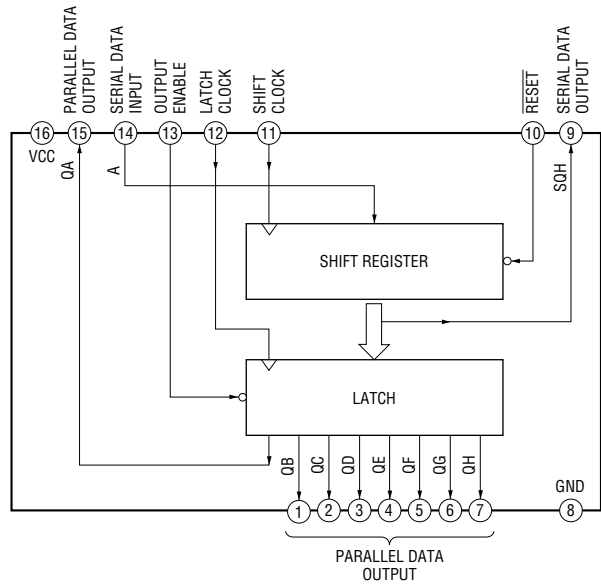


STR-DA3000ES

IC3721 TDA4665T/V5-118

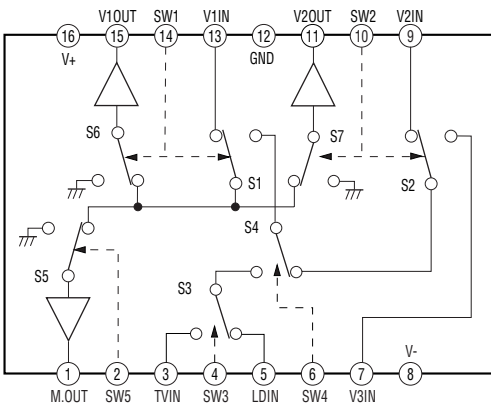


IC3812, 3813 TC74HC595AF (EL)

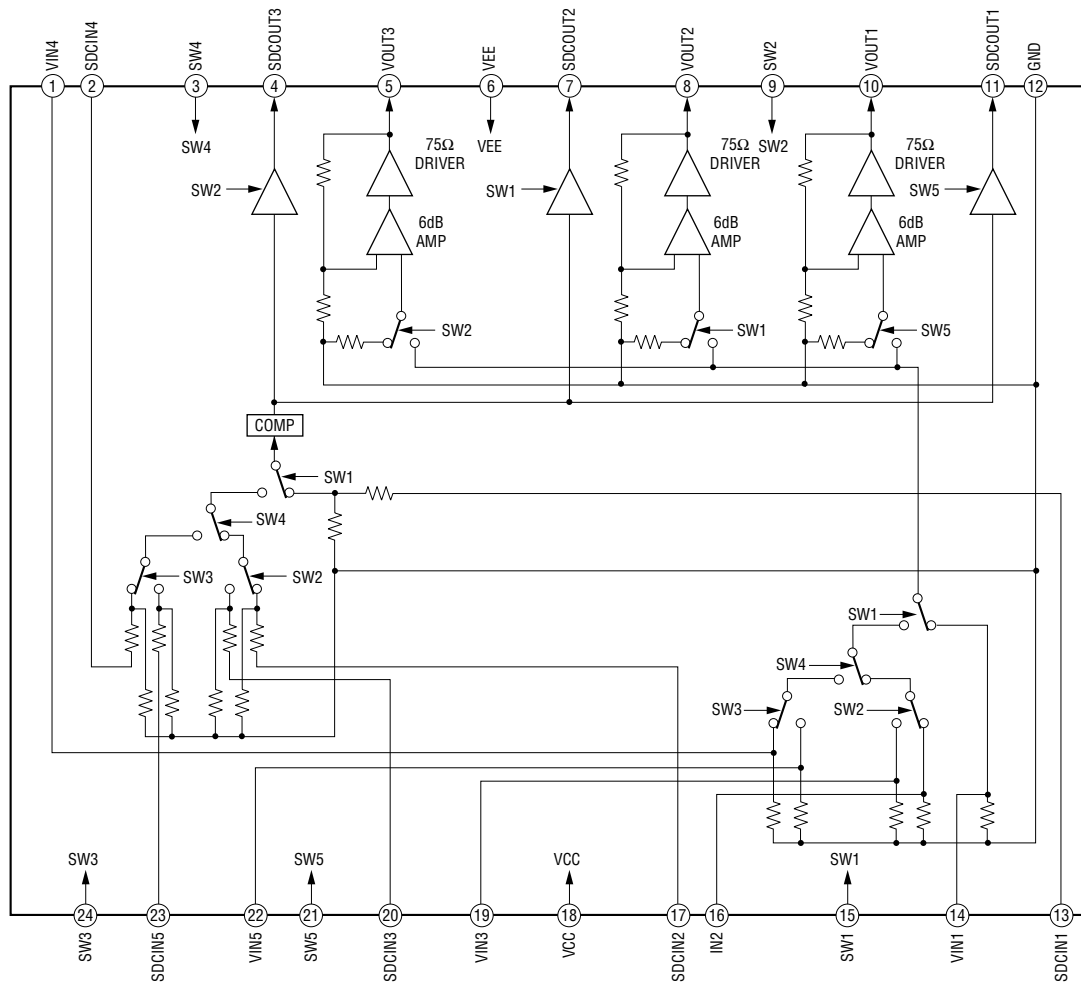


- S-VIDEO Board -

IC701 NJM-2296M-TE2

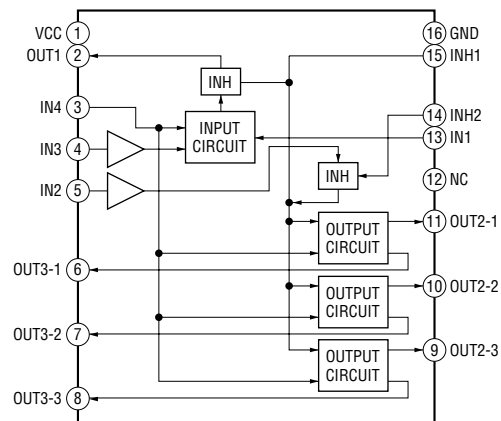


IC702 NJM2596M (TE2)



- CIS Board -

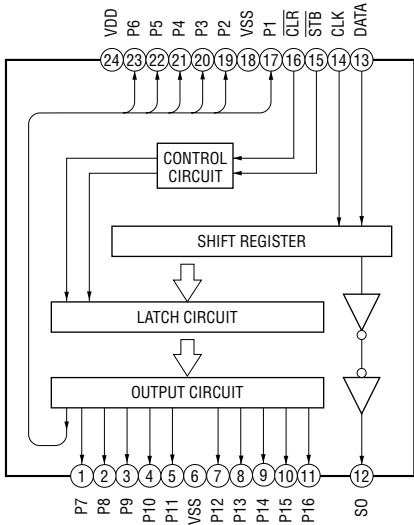
IC861 NJM2145M-TE2



STR-DA3000ES

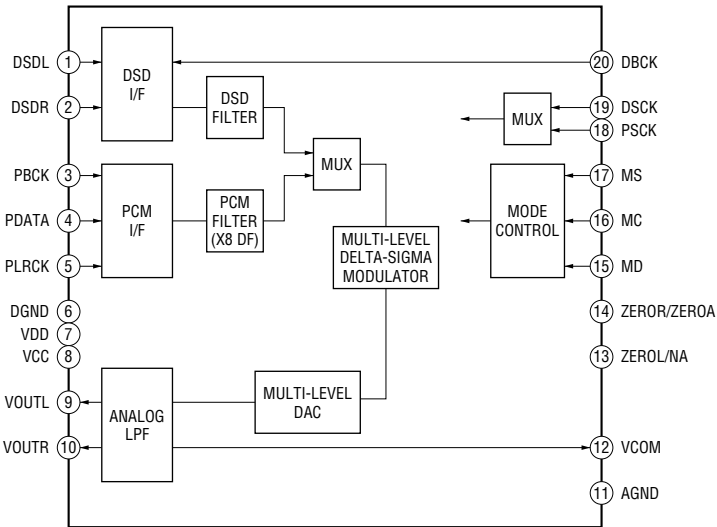
- FL Board -

IC1004 NJU3716M-T2

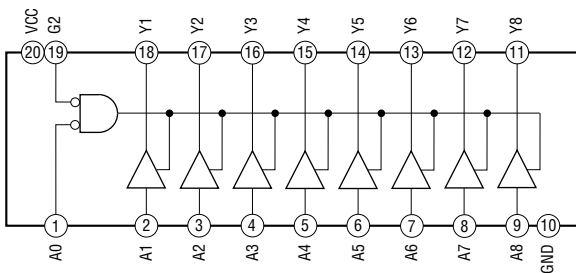


- REG Board -

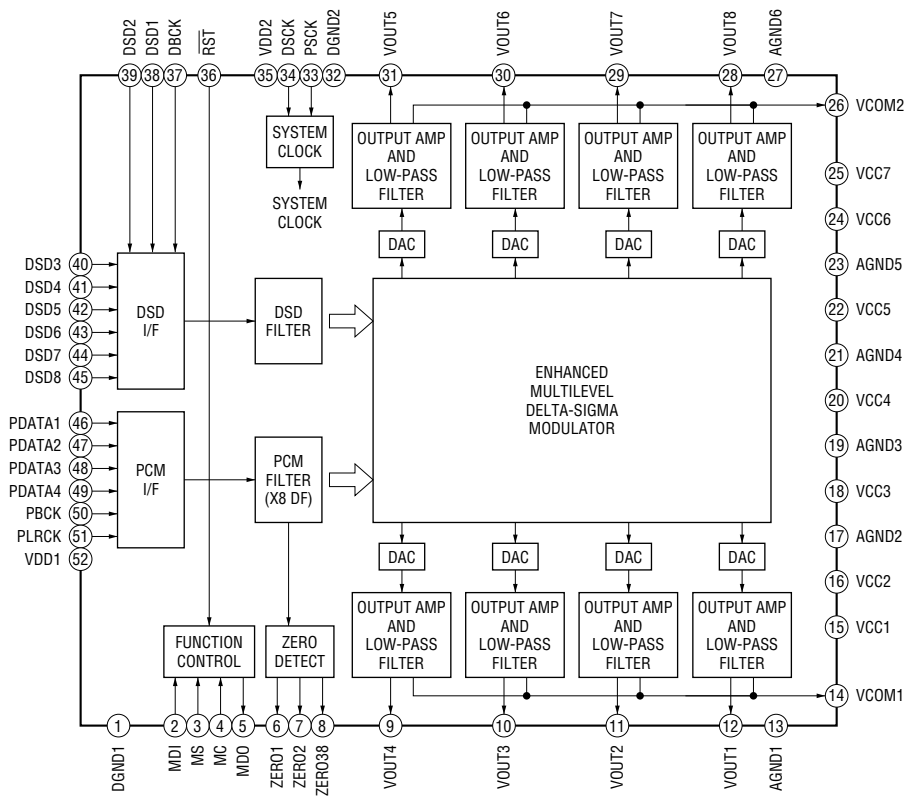
IC931 DSD1751DBQR



IC940, 941 TC74VHC541FT (EL)



IC2801 DSD1608PAHR



6-58. IC PIN FUNCTION DESCRIPTION

• DIGITAL BOARD IC2121 LC89056W-E (DIGITAL AUDIO INTERFACE RECEIVER)

Pin No.	Pin Name	I/O	Description
1	DISEL	I	Selection signal input terminal of data input terminal Fixed at "L" in this set
2	DOUT	O	Digital data output to the external output terminal Not used
3	DIN0	I	Digital data input from the external input terminal
4, 5	DIN1,DIN2	I	Digital data input from the external input terminal Fixed at "L" in this set
6	D. GND	—	Ground terminal (for digital)
7	DVDD	—	Power supply terminal (+3.3V) (for digital)
8	R	I	Input terminal for VCO gain control
9	VIN	I	Input terminal for VCO free-run frequency setting
10	LPF	O	PLL loop filter setting terminal
11	AVDD	—	Power supply terminal (+3.3V) (for analog)
12	AGND	—	Ground terminal (for analog)
13	CKOUT	O	Audio clock signal output to the selector
14	BCK	O	Bit clock signal (2.8224 MHz) output to the digital signal processor and A/D converter
15	LRCK	O	L/R sampling clock signal (44.1 kHz) output to the digital signal processor and A/D converter
16	DATAO	O	Audio serial data output to the digital signal processor and main system controller
17	XSTATE	O	Source clock selection monitor output to the main system controller
18	DGND	—	Ground terminal (for digital)
19	DVDD	—	Power supply terminal (+3.3V) (for digital)
20	XMCK	O	System clock signal (12.288 MHz) output to the A/D converter
21	XOUT	O	System clock output terminal (12.288 MHz) Not used
22	XIN	I	System clock input terminal (12.288 MHz)
23	EMPHA	O	Channel status emphasis information output terminal Not used
24	AUDIO	O	Channel status bit 1 output to the digital signal processor
25	CSFLAG	O	Channel status head 40 bit renewal flag output terminal Not used
26 to 29	F0/P0/C0 to F3/P3/C3	O	Output terminal of input frequency calculation result Not used
30	DVDD	—	Power supply terminal (+3.3V) (for digital)
31	DGND	—	Ground terminal (for digital)
32	AUTO	O	Not used
33	BPSYNC	O	Non-PCM burst preamble sync signal output terminal Not used
34	ERROR	O	PLL lock error signal and data error flag output to the digital signal processor and main system controller
35	DO	O	Read data output to the main system controller
36	DI	I	Write data input from the main system controller
37	CE	I	Chip enable signal input from the main system controller
38	CLK	I	Clock signal input from the main system controller
39	XSEL	I	Selection signal input terminal of crystal oscillator frequency Fixed at "H" in this set
40, 41	MODE0, MODE1	I	Mode setting terminal Fixed at "L" in this set
42	DGND	—	Ground terminal (for digital)
43	DVDD	—	Power supply terminal (+3.3V) (for digital)
44, 45	DOSEL0, DOSEL1	I	Output data format selection signal input terminal Fixed at "L" in this set
46	CKSEL0	I	Output clock selection signal input terminal Fixed at "L" in this set
47	CKSEL1	I	Output clock selection signal input from the main system controller
48	XMODE	I	System reset signal input from the main system controller "L": reset

Pin No.	Pin Name	I/O	Description
50	RY	O	Relay drive signal output terminal
51	SHIFT	O	Serial data transfer clock signal output to the PCM/PWM processor
52	/SO1 SCDT	O	Serial data output to the PCM/PWM processor
53	/SI1 SR-B	O	Relay drive signal output terminal Not used
54	C RY	O	Not used (open)
55	SB RY	O	Not used (open)
56	VCC	—	Power supply terminal (+3.3V)
57	SP RY	O	Relay drive signal output terminal Not used (open)
58	HP RY	O	Relay drive signal output terminal (for headphone)
59	—	I	Not used (open)
60	U-SUB2	O	Serial data signal output to main system controller
61	—	I	Not used (open)
62	FORMAT	I	Not used (connected to VDD)
63	HENCYO	I	Not used (connected to VDD)
64	MUTE	I	Muting on/off control signal output terminal Not used (open)

• DIGITAL BOARD IC2201 CXD9718Q (DIGITAL SIGNAL PROCESSOR)

Pin No.	Pin Name	I/O	Description
1	VSS	—	Ground terminal
2	XRST	I	System reset signal input from the main system controller “L”: reset
3	EXTIN	I	Master clock signal input terminal Not used
4	FS2	I	Sampling frequency selection signal input terminal Not used
5	VDDI	—	Power supply terminal (+2.5V)
6	FS1	I	Sampling frequency selection signal input terminal Not used
7	PLOCK	O	Internal PLL lock signal output terminal Not used
8	VSS	—	Ground terminal
9	MCLK1	I	System clock input terminal (13.5 MHz)
10	VDDI	—	Power supply terminal (+2.5V)
11	VSS	—	Ground terminal
12	MCLK2	O	System clock output terminal (13.5 MHz)
13	MS	I	Master/slave setting terminal “L”: internal clock, “H”: external clock Fixed at “L” in this set
14	SCKOUT	O	Internal system clock output terminal Not used
15	LRCKI1	I	L/R sampling clock signal (44.1 kHz) input from the A/D converter and digital audio interface receiver
16	VDDE	—	Power supply terminal (+3.3V)
17	BCKI1	I	Bit clock signal (2.8224 MHz) input from the A/D converter and digital audio interface receiver
18	SDI1	I	Audio serial data input from the A/D converter
19	LRCKO	O	L/R sampling clock signal (44.1 kHz) output to the digital signal processor
20	BCKO	O	Bit clock signal (2.8224 MHz) output to the digital signal processor
21	VSS	—	Ground terminal
22	KFSIO	I	Audio clock signal input from the digital audio interface receiver
23 to 26	SDO1 to SDO4	O	Audio serial data output to the digital signal processor
27	SPDIF	O	SPDIF signal output terminal Not used
28	LRCKI2	I	L/R sampling clock signal (44.1 kHz) input from the A/D converter and digital audio interface receiver
29	BCKI2	I	Bit clock signal (2.8224 MHz) input from the A/D converter and digital audio interface receiver
30	SDI2	I	Audio serial data input from the digital audio interface receiver
31	VSS	—	Ground terminal
32	HACN	O	Acknowledge signal output to the main system controller
33	HDIN	I	Serial data input from the main system controller
34	HCLK	I	Serial data transfer clock signal input from the main system controller
35	HDOOUT	O	Serial data output to the main system controller
36	HCS	I	Chip select input from the main system controller
37	SDCLK	I	Write signal input from the system controller Not used
38	CLKEN	O	SD-RAM chip enable output terminal Not used
39	RAS	O	Row address strobe signal output terminal Not used
40	VDDI	—	Power supply terminal (+2.5V)
41	VSS	—	Ground terminal
42	CAS	O	Column address strobe signal output terminal Not used
43	DQM/OE0	O	Output terminal of data input/output mask Not used
44	CS0	O	Chip select signal output to the S-RAM
45	WE0	O	Write enable signal output to the S-RAM

Pin No.	Pin Name	I/O	Description
46	VDDE	—	Power supply terminal (+3.3V)
47	WMD1	I	External memory wait mode setting terminal Fixed at “H” in this set
48	VSS	—	Ground terminal
49	WMD0	I	External memory wait mode setting terminal Fixed at “H” in this set
50	PAGE2	O	External memory page selection signal output terminal Not used
51	VSS	—	Ground terminal
52, 53	PAGE1, PAGE0	O	External memory page selection signal output terminal Not used
54	BOOT	I	Boot mode control signal input terminal Not used
55	BTACT	O	Boot mode state display signal output terminal Not used
56	BST	I	Boot strap signal input from the main system controller
57	MOD1	I	Operation mode setting terminal “L”: enhanced mode, “H”: normal mode Fixed at “H” in this set
58	MOD0	I	Operation mode setting terminal “L”: single chip mode, “H”: can not use Fixed at “L” in this set
59	EXLOCK	I	PLL lock error signal and data error flag input from the digital audio interface receiver
60	VDDI	—	Power supply terminal (+2.5V)
61	VSS	—	Ground terminal
62, 63	A17, A16	O	Address signal output terminal Not used
64 to 66	A15 to A13	O	Address signal output to the S-RAM
67	GP10	I	L/R sampling clock signal (44.1 kHz) input terminal Not used
68	GP9	O	Read ready signal output to the main system controller
69	GP8	I	Channel status bit 1 input from the digital audio interface receiver
70	VDDI	—	Power supply terminal (+2.5V)
71	VSS	—	Ground terminal
72 to 75	D15 to D12	I/O	Two-way data bus with the S-RAM
76	VDDE	—	Power supply terminal (+3.3V)
77 to 80	D11 to D8	I/O	Two-way data bus with the S-RAM
81	VSS	—	Ground terminal
82 to 85	A9, A12 to A10	O	Address signal output to the S-RAM
86	TDO	O	Simplicity emulation data output terminal Not used
87	TMS	I	Simplicity emulation data input start and end terminal Not used
88	XTRST	I	Simplicity emulation non-sync break signal input terminal Not used
89	TCK	I	Simplicity emulation clock signal input terminal Not used
90	TDI	I	Simplicity emulation data input terminal Not used
91	VSS	—	Ground terminal
92 to 97	A8 to A3	O	Address signal output to the S-RAM
98, 99	D7, D6	I/O	Two-way data bus with the S-RAM
100	VDDI	—	Power supply terminal (+2.5V)
101	VSS	—	Ground terminal
102 to 105	D5 to D2	I/O	Two-way data bus with the S-RAM
106	VDDE	—	Power supply terminal (+3.3V)
107, 108	D1, D0	I/O	Two-way data bus with the S-RAM
109, 110	A2, A1	O	Address signal output to the S-RAM
111	VSS	—	Ground terminal
112	A0	O	Address signal output to the S-RAM
113	PM	I	PLL initialize signal input from the main system controller

STR-DA3000ES

Pin No.	Pin Name	I/O	Description
114, 115	SDI3, SDI4	I	Audio serial data input terminal Not used
116	SYNC	I	Sync/non-sync setting terminal “L”: sync, “H”: non-sync Fixed at “H” in this set
117 to 119	VSS	—	Ground terminal
120	VDDI	—	Power supply terminal (+2.5V)

• DIGITAL BOARD IC2251 CXD9616BR (DIGITAL SIGNAL PROCESSOR)

Pin No.	Pin Name	I/O	Description
1	VDDI	—	Power supply terminal (+2.5V)
2	EXTIN	I	Master clock signal input terminal Not used
3, 4	WMD1, WMD0	I	External memory wait mode setting terminal Fixed at “H” in this set
5	MOD1	I	Operation mode setting terminal “L”: enhanced mode, “H”: normal mode Fixed at “H” in this set
6	MOD0	I	Operation mode setting terminal “L”: single chip mode, “H”: can not use Fixed at “L” in this set
7	VSS	—	Ground terminal
8	XRST	I	System reset signal input from the main system controller “L”: reset
9	VSS	—	Ground terminal
10	SCKOUT	O	Internal serial clock signal output terminal Not used
11	VDDI (PLL)	—	Power supply terminal (+2.5V) (for PLL)
12	SYNC	I	Sync/non-sync setting terminal “L”: sync, “H”: non-sync Fixed at “H” in this set
13 to 15	PAGE2 to PAGE0	O	External memory page selection signal output terminal Not used
16	PLOCK	O	Internal PLL lock signal output terminal Not used
17	BTACK	I	Boot mode state display signal output terminal Not used
18	VDDE	—	Power supply terminal (+3.3V)
19	VSS	—	Ground terminal
20 to 22	D31 to D29	I/O	Two-way data bus with the S-RAM
23	A17	O	Address signal output terminal Not used
24	VSS	—	Ground terminal
25	SDO3	O	Audio serial data output to the lip sync adjust
26	SDO4	O	Audio serial data output to the lip sync adjust
27, 28	SDI1, SDI2	I	Audio serial data input from the digital signal processor
29	LRCKI1	I	L/R sampling clock signal (44.1 kHz) input from the digital signal processor
30	VSS	—	Ground terminal
31, 32	D28, D27	I/O	Two-way data bus with the S-RAM
33	A16	O	Address signal output terminal Not used
34	A15	O	Address signal output to the S-RAM
35	SDI3	I	Audio serial data input from the digital signal processor
36	L2	—	Not used
37	VDDI	—	Power supply terminal (+2.5V)
38	BCKI1	I	Bit clock signal (2.8224 MHz) input from the digital signal processor
39	SDI4	I	Audio serial data input from the digital signal processor
40	MS	I	Master/slave setting terminal “L”: internal clock, “H”: external clock Fixed at “L” in this set
41, 42	A14, A13	O	Address signal output to the S-RAM
43, 44	D26, D25	I/O	Two-way data bus with the S-RAM
45	VSS	—	Ground terminal
46	BCKI2	I	Bit clock signal (2.8224 MHz) input terminal Not used
47, 48	FS2, FS1	I	Sampling frequency selection signal input terminal Not used
49	SPDIF	I	SPDIF signal input terminal Not used
50	A12	O	Address signal output to the S-RAM
51 to 53	D24 to D22	I/O	Two-way data bus with the S-RAM
54	VDDE	—	Power supply terminal (+3.3V)

Pin No.	Pin Name	I/O	Description
55	VSS	—	Ground terminal
56 to 58	D21 to D19	I/O	Two-way data bus with the S-RAM
59	A11	O	Address signal output to the S-RAM
60, 61	SDO1, SDO2	O	Audio serial data output to the lip sync adjust
62	KFSIO	I	Audio clock signal input from the digital audio interface receiver
63	LRCKO	O	L/R sampling clock signal (44.1 kHz) output terminal
64	BCKO	O	Bit clock signal (2.8224 MHz) output terminal
65	VDDI	—	Power supply terminal (+2.5V)
66	VSS	—	Ground terminal
67, 68	D18, D17	I/O	Two-way data bus with the S-RAM
69, 70	A10, A9	O	Address signal output to the S-RAM
71	CAS	O	Column address strobe signal output terminal Not used
72	RAS	O	Row address strobe signal output terminal Not used
73	VDDI	—	Power supply terminal (+2.5V)
74	HDIN	I	Serial data input from the main system controller
75	HCLK	I	Serial data transfer clock signal input from the main system controller
76	HCS	I	Chip select signal input from the main system controller
77, 78	A8, A7	O	Address signal output to the S-RAM
79, 80	D16, D15	I/O	Two-way data bus with the S-RAM
81	VSS	—	Ground terminal
82	HDOOUT	O	Serial data output to the main system controller
83	HACN	O	Acknowledge signal output to the main system controller
84	CSO	O	Chip select signal output to the S-RAM
85	WEO	O	Write enable signal output to the S-RAM
86	A6	O	Address signal output to the S-RAM
87 to 89	D14 to D12	I/O	Two-way data bus with the S-RAM
90	VDDE	—	Power supply terminal (+3.3V)
91	VSS	—	Ground terminal
92 to 94	D11 to D9	I/O	Two-way data bus with the S-RAM
95	A5	O	Address signal output to the S-RAM
96	VDDI	—	Power supply terminal (+2.5V)
97	TCK	I	Simplicity emulation clock signal input terminal Not used
98	TDI	I	Simplicity emulation data input terminal Not used
99	TDO	O	Simplicity emulation data input terminal Not used
100	TMS	I	Simplicity emulation data input start and end select Not used
101	XTRST	I	Simplicity emulation non-sync break signal input terminal Not used
102	VSS	—	Ground terminal
103, 104	D8, D7	I/O	Two-way data bus with the S-RAM
105, 106	A4, A3	O	Address signal output to the S-RAM
107, 108	GP10, GP9	—	Not used
109	VDDI	—	Power supply terminal (+2.5V)
110	GP8	—	Not used
111	GP7	I	L/R sampling clock signal (44.1 kHz) input terminal
112	GP6	—	Not used
113, 114	A2, A1	O	Address signal output to the S-RAM
115, 116	D6, D5	I/O	Two-way data bus with the S-RAM

Pin No.	Pin Name	I/O	Description
117	VSS	—	Ground terminal
118, 119	GP5, GP4	—	Not used
120	GP3	O	Error signal output to the main system controller
121	NC	—	Not used
122	A0	O	Address signal output to the S-RAM
123 to 125	D4 to D2	I/O	Two-way data bus with the S-RAM
126	VDDE	—	Power supply terminal (+3.3V)
127	VSS	—	Ground terminal
128, 129	D1, D0	I/O	Two-way data bus with the S-RAM
130 to 132	GP2 to GP0	—	Not used
133	SDCLK	O	SD-RAM clock signal output terminal Not used
134	CLKEN	I	Fixed at “H” in this set
135	DQM	O	Output terminal of data input/output mask Not used
136	EXLOCK	I	Lock signal input from the main system controller
137	VDDI	—	Power supply terminal (+2.5V)
138	VSS	—	Ground terminal
139	MCLK2	O	System clock output terminal (13.5 MHz)
140	PM	I	PLL initialize signal input from the main system controller
141	BST	I	Boot strap signal input from the main system controller
142	BOOT	I	Boot mode control signal input terminal Not used
143	TST	I	Not used
144	MCLK1	I	System clock input terminal (13.5 MHz)

• DIGITAL BOARD IC2401, IC2426 ISPLSI2032VE-110LTN44-MOD (GPR)

Pin No.	Pin Name	I/O	Description
1	EDGE	I	Clock signal input terminal
2	BCKIN	I	Bit clock signal input terminal
3	BCK2IN	I	Not used (open)
4	I/O	I/O	Not used (open)
5	MCK	I	Serial data transfer clock signal input terminal
6	VCC	—	Power supply terminal (+3.3V)
7	BSCAM	—	Not used (open)
8	IN Q/TDI	I	Not used (open)
9, 10	I/O	I/O	Not used (open)
11	BCKAOUT	O	Not used
12	MCKOUT	O	Serial data transfer clock signal output terminal
13	DIOUT_8	O	IC2401: SBR-ch analog audio signal output, IC2426: Not used (open)
14	DIOUT_7	O	IC2401: SBL-ch analog audio signal output, IC2426: Not used (open)
15	DIOUT_6	O	IC2401: SR-ch analog audio signal output, IC2426: Not used (open)
16	DIOUT_5	O	IC2401: SL-ch analog audio signal output, IC2426: Not used (open)
17	GND	—	Ground terminal
18	IN 1/TDO	O	Not used (open)
19	DIOUT_4	O	W-ch analog audio signal output terminal
20	DIOUT_3	O	C-ch analog audio signal output terminal
21	DIOUT_2	O	R-ch analog audio signal output terminal
22	DIOUT_1	O	L-ch analog audio signal output terminal
23 to 26	I/O	I/O	Not used (open)
27	Y2/TCK	—	Not used (open)
28	VCC	—	Power supply terminal (+3.3V)
29	Y1/RESET	I	Reset signal input terminal
30	TMS	—	Not used (open)
31	DATAEN	I	Not used (connected to VCC)
32	CLKSEL	I	Not used (connected to VCC)
33	FS	I	IC2401: Not used (connected to ground), IC2426: Clock signal input
34	I/O	I/O	Not used (open)
35	DATA_1	I	IC2401: L-ch analog audio signal input, IC2426: analog audio signal input
36	DATA_2	I	IC2401:R-ch analog audio signal input, IC2426: analog audio signal input
37	DATA_3	I	IC2401: SL-ch analog audio signal input, IC2426: analog audio signal input
38	DATA_4	I	IC2401: SR-ch analog audio signal input, IC2426: analog audio signal input
39	GND	—	Ground terminal
40	GOE0	—	Not used (open)
41	DATA_5	I	IC2401: C-ch analog audio signal input, IC2426: Not used (open)
42	DATA_6	I	IC2401: W-ch analog audio signal input, IC2426: Not used (open)
43	DATA_7	I	IC2401: SBL-ch analog audio signal input, IC2426: Not used (open)
44	DATA_8	I	IC2401: SBR-ch analog audio signal input, IC2426: Not used (connected to ground)

• DIGITAL BOARD IC2601 MB91F155-3ES-X100 (MAIN SYSTEM CONTROLLER)

Pin No.	Pin Name	I/O	Description
1	DSP CLK	O	Serial data transfer clock signal output to the digital signal processor
2	DSP HDIN	O	Serial data output to the digital signal processor
3	1BST SEL	O	Boot strap signal output to the clock select
4	1XRST	O	System reset signal output to the digital signal processor “L”: reset
5	1PM	O	PLL initialize signal output to the digital signal processor
6	1GP9	I	Read ready signal input from the digital signal processor
7	1BST	O	Boot strap signal output to the digital signal processor
8	1HCS	O	Chip select signal output to the digital signal processor
9	VSS	—	Ground terminal
10	1HDOUT	I	Serial data input from the digital signal processor
11	1HACN	I	Acknowledge signal input from the digital signal processor
12	2XRST	O	System reset signal output to the digital signal processor “L”: reset
13	2PM	O	PLL initialize signal output to the digital signal processor
14	2GP3	I	Read ready signal input from the digital signal processor
15	2BST	O	Boot strap signal output to the digital signal processor
16	2HCS	O	Chip select signal output to the digital signal processor
17	2HDOUT	I	Serial data input from the digital signal processor
18	2HACN	I	Acknowledge signal input from the digital signal processor
19	2EXLOCK	O	PLL lock error signal and data error flag output to the digital signal processor
20	DIR-XMODE	O	System reset signal output to the digital audio interface receiver “L”: reset
21	DIR-CKSEL	O	Output clock selection signal output to the digital audio interface receiver
22	DIR-CLK	O	Clock signal output to the digital audio interface receiver
23	DIR-CE	O	Chip enable signal output to the digital audio interface receiver
24	DIR-DO	I	Read data input from the digital audio interface receiver
25	DIR-DI	O	Write data output to the digital audio interface receiver
26	VSS	—	Ground terminal
27	VCC	—	Power supply terminal (+3.3V)
28	DIR-ERROR	I	PLL lock error signal and data error flag input from the digital audio interface receiver
29	DIR-DATAO	I	Audio serial data input from the digital audio interface receiver
30	DIR-XSTATE	I	Source clock selection monitor input from the digital audio interface receiver
31	TA_XCS	O	Chip select signal output to the lip sync adjust Not used
32	TA_SO	I	Serial data input from the lip sync adjust Not used
33	TA_XRST	O	Reset signal output to the lip sync adjust Not used
34	ADINT1	O	Reset signal output to the A/D converter
35	ADINT2	O	Reset signal output to the sub-2 system controller
36	D595OE	O	Output enable signal output to the TC74HC595AF
37	LAT1	O	Serial data latch pulse output to the TC74HC595AF
38	LAT2	O	Serial data latch pulse output to the TC74HC595AF
39	COM1CLK	O	Common clock signal output terminal
40	COM1DATA	O	Common data output terminal
41	COM2DATA	O	Common data output terminal
42	COM2CLK	O	Common data transfer clock signal output terminal
43	V595OE	O	Output enable signal output to the TC74HC595AF
44	VSS	—	Ground terminal
45	V595LAT	O	Serial data latch pulse output to the TC74HC595A

Pin No.	Pin Name	I/O	Description
46	FUNCLAT	O	Serial data latch pulse output to the TC74HCT7007AF
47	D.MIXLAT	O	Serial data latch pulse output to the TC74HCT7007AF
48	VDLLAT	O	Serial data latch pulse output to the TC74HCT7007AF
49	UPCONLAT	O	Serial data latch pulse output terminal Not used
50	MBUS-STS0	I	M-BUS status input from the sub system controller
51	A1OUT	O	Sircs signal output for the CTRL A1 II
52	MD2	I	Setting terminal for the CPU operational mode
53	MD1	I	Setting terminal for the CPU operational mode
54	MD0	I	Setting terminal for the CPU operational mode
55	RSTX	I	External reset signal input terminal
56	VCC	—	Power supply terminal (+3.3V)
57	X1	I	Main system clock input terminal (16.5 MHz)
58	X0	O	Main system clock output terminal (16.5 MHz)
59	VSS	—	Ground terminal
60	AIIN	I	Sircs signal input for the CTRL A1 II
61	SIRCS IN	I	SIRCS signal input terminal
62	POWER SW	I	Power switch input terminal
63	RDSCLK	I	RDS serial data transfer clock signal input from the tuner unit
64	MBUS-STS1	I	Strobe control signal input from the sub system controller
65	MBUS-STS2	I	M-BUS status input from the sub system controller
66	MBUS-STS3	I	M-BUS status input from the sub system controller
67	MBUS-STS4	I	M-BUS status input from the sub system controller
68	VCC	—	Power supply terminal (+3.3V)
69	RST TRG	O	Reset signal output to the terminal
70	END FLAG	O	End flag output to the sub system controller
71	A1-LAT	O	Serial data latch pulse output to the sub system controller
72	TUNLAT	O	Serial data latch pulse output to the tuner unit
73	TUNED	I	Tuning detection signal input from the tuner unit
74	STEREO	I	FM stereo detection signal input from the tuner unit
75	TUNDO	I	Serial data input from the tuner unit
76	PREOUT-RY	O	Relay drive signal output terminal Not used
77	VCC	—	Power supply terminal (+3.3V)
78	STOP	I	AC off detection signal input terminal
79	POWRY	O	Relay drive signal output terminal (for main power) “H”: relay on
80	P.CHANGE	O	Tuner auto stop signal output terminal
81	RDSDATA	I	RDS serial data input from the tuner unit
82	PREVOL-LAT	O	Serial data latch pulse output terminal Not used
83	AD/SUB-RST	O	Reset signal output to the sub-2 system controller “L”: rese
84	S-MUTE	O	Muting on/off control signal output terminal
85	SUB-U CONTROL	O	Clock signal output to the sub-2 system controller
86	SUB-U INFO2	I	Serial data input from the sub-2 system controller
87	SUB-U INFO1	O	Serial data output to the sub-2 system controller
88	FUNCJOG1	I	Jog dial pulse input from the rotary encoder (for INPUT SELECTOR)
89	FUNCJOG2	I	Jog dial pulse input from the rotary encoder (for INPUT SELECTOR)
90	VOLJOG1	I	Jog dial pulse input from the rotary encoder (for MASTER VOLUME)

Pin No.	Pin Name	I/O	Description
91	VOLJOG2	I	Jog dial pulse input from the rotary encoder (for MASTER VOLUME)
92	BASSJOG1	I	Jog dial pulse input from the rotary encoder (for BASS)
93	BASSJOG2	I	Jog dial pulse input from the rotary encoder (for BASS)
94	OSDLAT	O	Serial data latch pulse output to the OSD
95	FLLAT	O	Serial data latch pulse output to the fluorescent display tube
96	FLCLR	O	Clear signal output to the fluorescent display tube
97	VCC	—	Power supply terminal (+3.3V)
98	VSS	—	Ground terminal
99	SDA	I/O	Two-way data bus with the EEPROM
100	SCL	O	Serial data transfer clock signal output to the EEPROM
101	VSS	—	Ground terminal
102	OSD-CLK	O	Serial data transfer clock signal output to the OSD
103	OSD-DAT	O	Serial data output to the OSD
104	OSD-VSINC	I	Not used
105	TREJOG1	I	Jog dial pulse input from the rotary encoder (for TREBLE)
106	TREJOG2	I	Jog dial pulse input from the rotary encoder (for TREBLE)
107	IICDATA	I/O	IIC two-way data bus with the chroma decoder
108	IICCLK	O	IIC bus clock signal output to the chroma decoder
109	SOT1	O	Serial data output to the RS-232C
110	SIN1	I	Serial data input from the RS-232C
111	FLCLK	O	Serial data transfer clock signal output to the fluorescent display tube
112	FLDATA	O	Serial data output to the fluorescent display tube
113	DAC-LAT	O	Serial data latch pulse signal output to the D/A converter Not used
114	DAC-RST	O	Reset signal output to the D/A converter "H": reset Not used
115	DAC-DATA (UCOM-IN)	I	Serial data input from the D/A converter Not used
116	SP-A	I	Speaker switch input terminal
117	SP-B	I	Speaker switch input terminal
118	MENU JOG1	I	Jog dial pulse input from the rotary encoder (for MENU)
119	MENU JOG2	I	Jog dial pulse input from the rotary encoder (for MENU)
120	PAGE JOG1	I	Jog dial pulse input from the rotary encoder (for MAIN MENU)
121	PAGE JOG2	I	Jog dial pulse input from the rotary encoder (for MAIN MENU)
122	VCC	—	Power supply terminal (+3.3V)
123	LED LAT	O	Serial data latch pulse output to the data decoder/LED driver
124	LED CLR	O	Serial data transfer clock signal output to the data decoder/LED driver
125	PCMSEL	O	Output clock selection signal output to the D-OUT switch
126	DAVS (VSS)	—	Ground terminal (for digital)
127	DAVC (VCC)	—	Power supply terminal (+3.3V) (for digital)
128	AVCC (VCC)	—	Power supply terminal (+3.3V) (for analog)
129	AVRH (VCC)	—	Reference voltage (+3.3V) input terminal (for analog)
130	AVRL (VSS)	—	Ground terminal (for analog)
131	AVSS (VSS)	—	Ground terminal (for analog)
132	AD1	I	Key function A/D input
133	AD2	I	Key function A/D input
134	AD3	I	Key function A/D input
135	VERSION	I	Version set terminal

STR-DA3000ES

Pin No.	Pin Name	I/O	Description
136	RDSSIGNAL	I	RDS signal input from the tuner unit
137	HP-SW	I	Headphone detection signal input terminal "H": headphone is connected
138	+/-JOG1	I	Jog dial pulse input from the rotary encoder (for +/-)
139	+/-JOG2	I	Jog dial pulse input from the rotary encoder (for +/-)
140	VCC2	—	Power supply terminal (+3.3V)
141	BACUP	I	Connected to VCC
142	X0A	O	Not used (Connected to ground)
143	X1A	I	Not used (open)
144	VSS	—	Ground terminal

• DIGITAL BOARD IC2701 TMP87C447U-1F23 (SUB SYSTEM CONTROLLER)

Pin No.	Pin Name	I/O	Description
1	STAT0	O	M-BUS status output to the main system controller
2	CARRIER-OUT	O	SIRCS signal on/off signal output terminal
3	FLASH	—	Not used (Connected to VDD)
4	MBUS	—	Not used (Connected to VDD)
5	CTRL-LATCH	I	Serial data latch pulse input from the main system controller
6, 7	—	—	Not used (open)
8	SIRSTS	—	Not used (Connected to VDD)
9	—	—	Not used (open)
10	SIRCS-INPUT	I	SIRCS signal input terminal
11	A1-OUT	O	Sircs signal output for CONTROL A1 II
12	A1-IN	I	Sircs signal input for CONTROL A1 II
13	GND	—	Ground terminal
14	RESET	I	System reset signal input from the reset signal generator “L”: reset
15	XIN	I	Main system clock input terminal (7.28 MHz)
16	XOUT	O	Main system clock output terminal (7.28 MHz)
17	GND	—	Ground terminal
18	VDD	—	Power supply terminal (+5V)
19	RESETC	O	Reset signal output to the main system controller
20	RESETN	O	Not used (open)
21	OUTH1	O	Not used (open)
22	OUTLO1	O	Not used (open)
23	OUTH2	O	Model destination signal output terminal
24	OUTLO2	O	Model destination signal output terminal
25	ENDFLG	I	End flag input from the main system controller
26	UARTIN	I	Serial data input from the RS-232C
27 to 32	—	—	Not used (open)
33	SIRCS-OUT	O	SIRCS signal output terminal
34 to 36	—	—	Not used (open)
37	MBUS_TV	—	Not used (Connected to ground)
38	MBUS_V2	—	Not used (Connected to ground)
39	MBUS_V1	—	Not used (Connected to ground)
40	VDD	—	Power supply terminal (+5V)
41	STAT4	O	M-BUS status output to the main system controller
42	STAT3	O	M-BUS status output to the main system controller
43	STAT2	O	M-BUS status output to the main system controller
44	STAT1	O	M-BUS status output to the main system controller

• D-AMP BOARD IC1800 B89F538L (SUB SYSTEM CONTROLLER)

Pin No.	Pin Name	I/O	Description
1	I LIMIT	I	Current detection
2	MOD2	I	Not used (connected to ground)
3	TEMP	I	Thermistor connection terminal for temperature detection (A/D input)
4 to 10	—	—	Not used (open)
11	AVCC	—	Power supply terminal (+3.3V) (for analog)
12	AVR	I	Reference voltage (+3.3V) input terminal
13	AVSS	—	Ground terminal (for analog)
14	U-MAIN	I	Clock signal input from main system controller
15	AC-OFF	I	Power down detection signal input terminal “L”: power down
16	+B	I	+ B power supply unusual detection
17, 18	—	I	Not used (open)
19	RST	I	Reset signal input from the main system controller
20	MOD0	I	Setting terminal for a memory access mode
21	MOD1	I	Setting terminal for a memory access mode
22	X0	O	External crystal terminal (8 MHz)
23	X1	I	External crystal terminal (8 MHz)
24	VSS	—	Ground terminal
25	VOL-CLK	O	Serial data transfer clock signal output to the data decoder
26	VOL-DATA	O	Serial data output to the data decoder
27	VOL-LAT	O	Serial data latch pulse output to the data decoder
28	DAC-MUTE	O	Muting on/off control signal output terminal
29	(P23)	I	Not used (connected to ground)
30	(P22)	I	Not used (connected to VDD)
31	4I-LIMIT	I	Not used
32	DC	I	DC offset detection
33	—	I	Not used (open)
34	4/8OUT	O	Not used (open)
35	DIAG	I	HIC temperature unusual detection
36	EN	O	Enable/Disable control of HIC
37	MODE1	O	Mode signal output to PCM/PWM processor
38	INIT	O	Initialize signal output to the PCM/PWM processor
39	NSP-MUTE	O	Muting on/off control signal output terminal
40	(P10)	—	Not used (connected to ground)
41	—	O	Not used (open)
42	U-SUB1	I	Serial data signal input from main system controller
43	LAT4	O	Serial data latch pulse output to the PCM/PWM processor
44	LAT3	O	Serial data latch pulse output to the PCM/PWM processor
45	LAT2	O	Serial data latch pulse output to the PCM/PWM processor
46	LAT1	O	Serial data latch pulse output to the PCM/PWM processor
47	F-B RY	O	Relay drive signal output terminal
48	SR-A RY	O	Not used (open)
49	NC	—	Not used (open)
50	RY	O	Relay drive signal output terminal
51	SHIFT	O	Serial data transfer clock signal output to the PCM/PWM processor
52	/SO1 SCDT	O	Serial data output to the PCM/PWM processor

Pin No.	Pin Name	I/O	Description
53	/SI1 SR-B	O	Relay drive signal output terminal Not used
54	C RY	O	Not used (open)
55	SB RY	O	Not used (open)
56	VCC	—	Power supply terminal (+3.3V)
57	SP RY	O	Relay drive signal output terminal Not used (open)
58	HP RY	O	Relay drive signal output terminal (for headphone)
59	—	I	Not used (open)
60	U-SUB2	O	Serial data signal output to main system controller
61	—	I	Not used (open)
62	FORMAT	I	Not used (connected to VDD)
63	HENCYO	I	Not used (connected to VDD)
64	MUTE	I	Muting on/off control signal output terminal Not used (open)

• VIDEO BOARD IC3501 MB90089F-G-238-BND (OSD DRIVER)

Pin No.	Pin Name	I/O	Description
1	YIN	I	Y (luminance) signal input Not used
2	CIN	I	C (color) signal input Not used
3	VIN	I	Composite video signal input Not used
4	AVCC	—	Power supply terminal (+5V) (for analog)
5	FSCO	O	Internal color burst phase display signal output terminal Not used
6	VBLK	O	Vertical blanking period signal output terminal Not used
7	VCC	—	Power supply terminal (+5V)
8	EXS	I	Input terminal from the clock generator for external color burst connected to crystal vibrator (NTSC: 14.31818MHz, PAL: 17.734475MHz)
9	XS	O	Output terminal from the clock generator for external color burst connected to crystal vibrator (NTSC: 14.31818MHz, PAL: 17.734475MHz) Not used
10	HSYNC	O	Horizontal sync signal output terminal Not used
11	VSYNC	O	Vertical sync signal output terminal Not used
12	EXHSYN	I	External horizontal sync signal input terminal Not used
13	EXVSYN	I	External vertical sync signal input terminal Not used
14	VSS	—	Ground terminal
15	EXD	I	Dot clock generator connecting terminal for display
16	XD	O	Dot clock generator connecting terminal for display
17	VOB	O	Character and background period signal output terminal Not used
18 to 20	VOC2 to VOC0	O	Color signal output terminal Not used
21	TEST	I	Setting terminal for the test “L”: test (normally: fixed at “H”)
22	SCLK	I	Serial data transfer clock signal input from the main system controller
23	SIN	I	Serial data input from the main system controller
24	CS	I	Serial data latch pulse signal input from the main system controller
25	VOUT	O	Composite video signal output
26	COUT	O	C (color) signal output
27	YOUT	O	Y (luminance) signal output
28	AVSS	—	Ground terminal (for analog)

SECTION 7 EXPLODED VIEWS

NOTE:

- XX and -X mean standardized parts, so they may have some difference from the original one.

- Color Indication of Appearance Parts**

Example:

KNOB, BALANCE (WHITE) . . . (RED)
 ↑ ↑
 Parts Color Cabinet's Color

- Abbreviation**

CND : Canadian model

KR : Korean model

TW : Taiwan model

- Items marked "*" are not stocked since they are seldom required for routine service. Some delay should be anticipated when ordering these items.
- The mechanical parts with no reference number in the exploded views are not supplied.
- Accessories are given in the last of the electrical parts list.

- Color variation
 SILVER : US, Canadian models

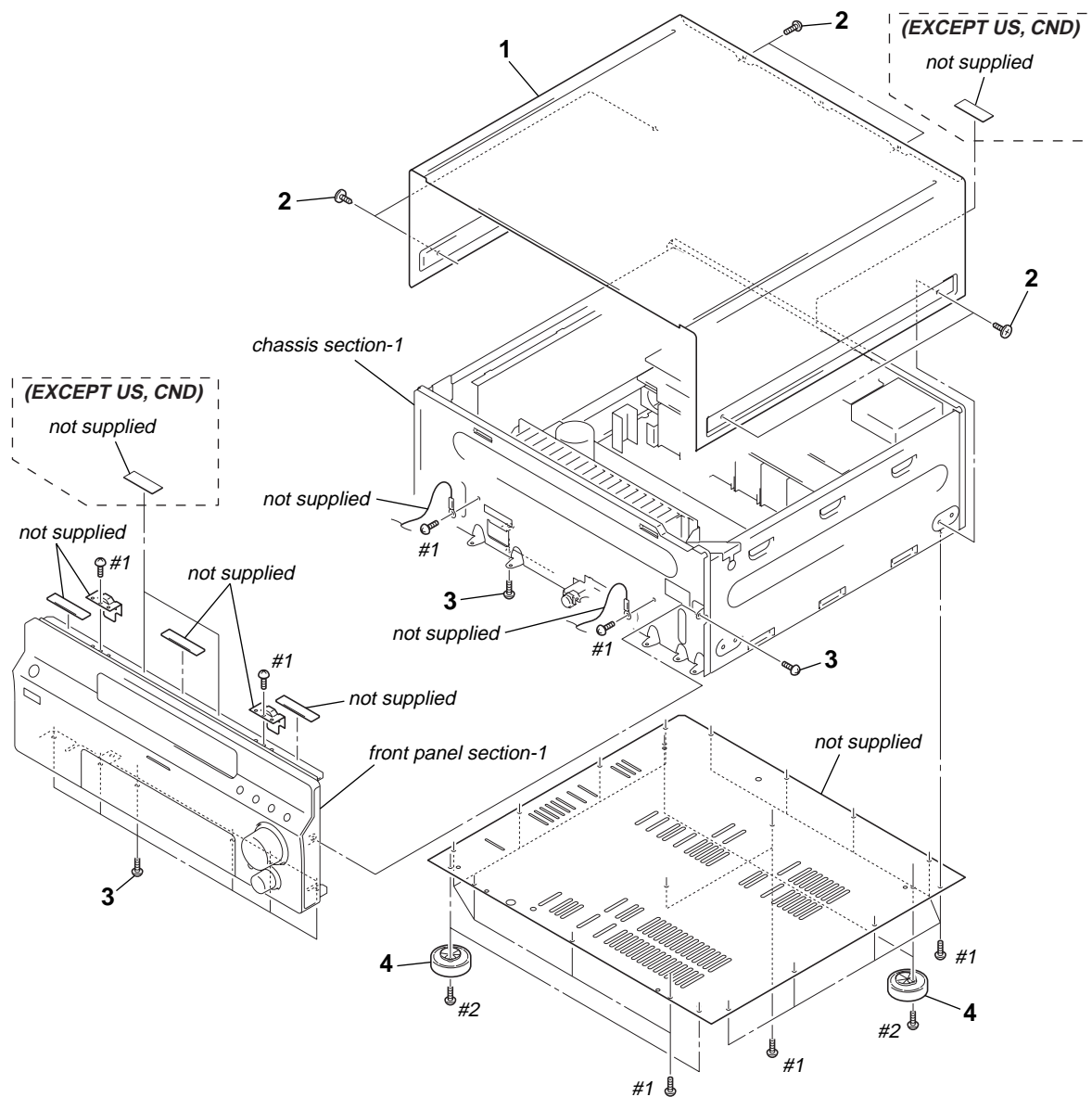
- GOLD : AEP, Taiwan, Korean models

- BLACK : AEP model

The components identified by mark Δ or dotted line with mark Δ are critical for safety. Replace only with part number specified.

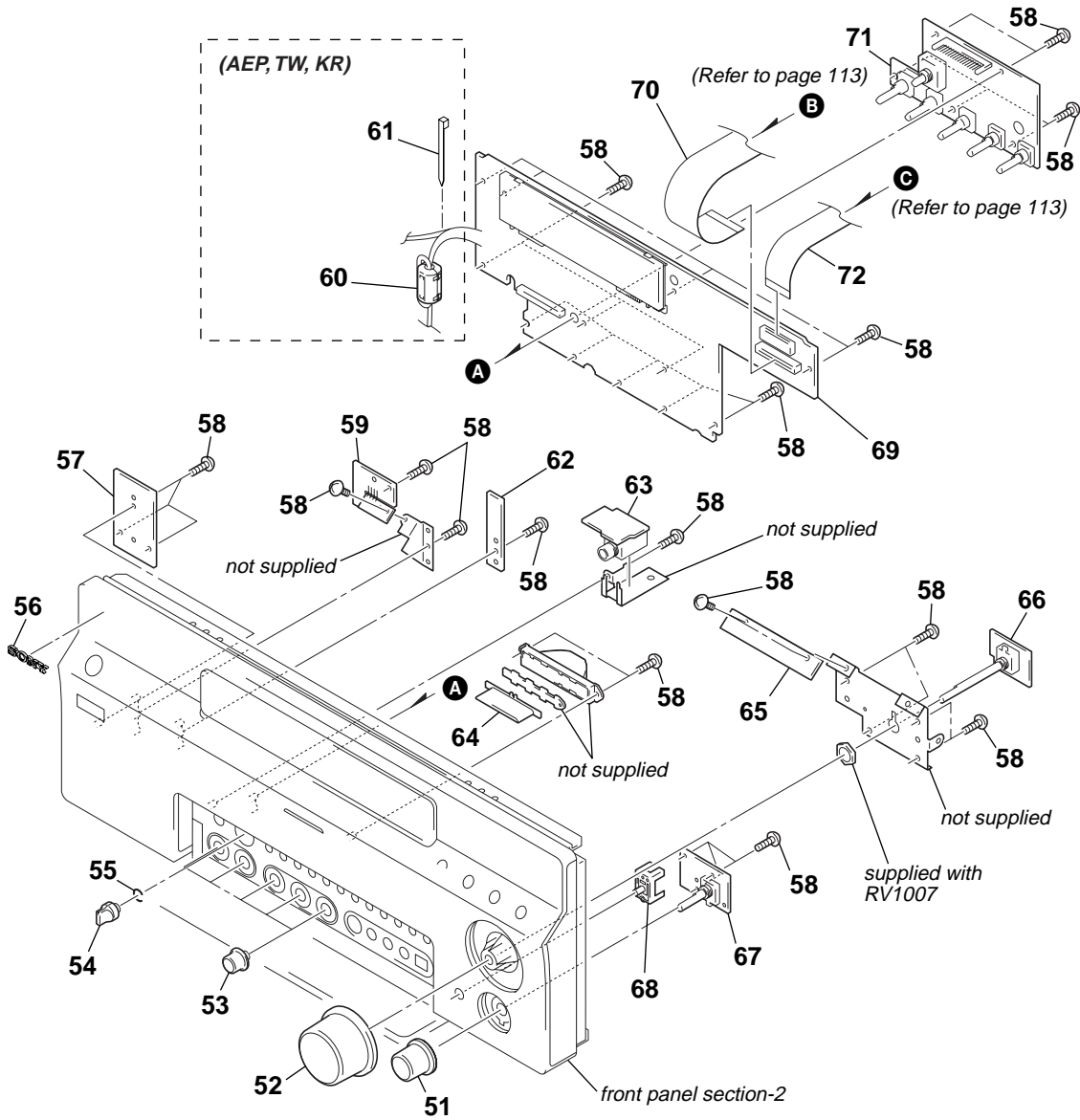
Les composants identifiés par une marque Δ sont critiques pour la sécurité. Ne les remplacer que par une pièce portant le numéro spécifié.

7-1. CASE SECTION



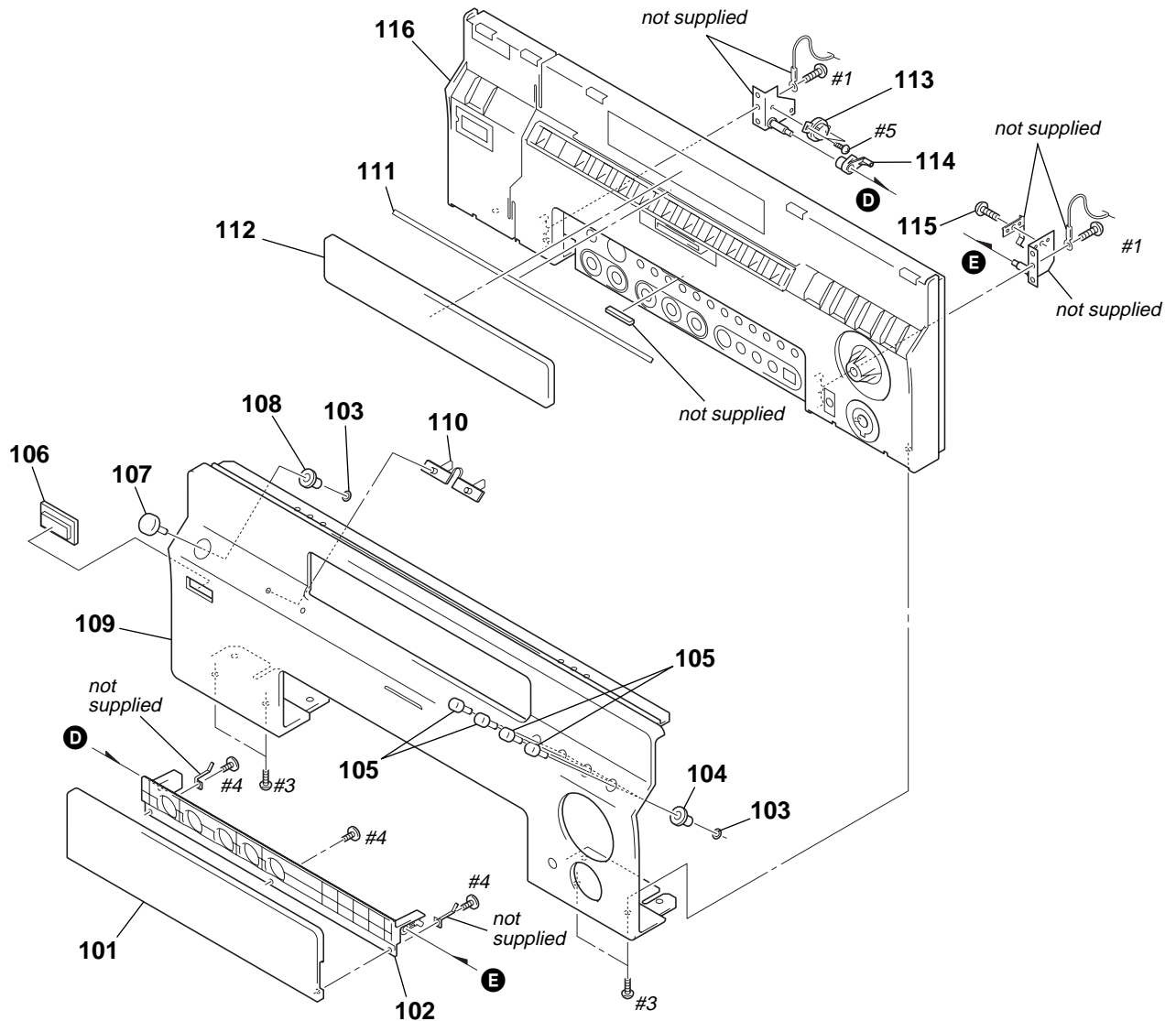
Ref. No.	Part No.	Description	Remark	Ref. No.	Part No.	Description	Remark
1	4-222-052-91	CASE (BLACK)		3	3-704-515-21	SCREW (BV/RING)	
1	4-247-044-11	CASE (SILVER)		4	X-4949-759-2	FOOT ASSY	
1	4-247-044-31	CASE (GOLD)		#1	7-685-646-79	SCREW +BVTP 3X8 TYPE2 IT-3	
2	4-227-843-01	SCREW (TP), FLAT HEAD (for BLACK)		#2	7-685-885-09	SCREW +BVTT 4X16 (S)	
2	4-227-843-31	SCREW (TP), FLAT HEAD (for GOLD, SILVER)					

7-2. FRONT PANEL SECTION-1



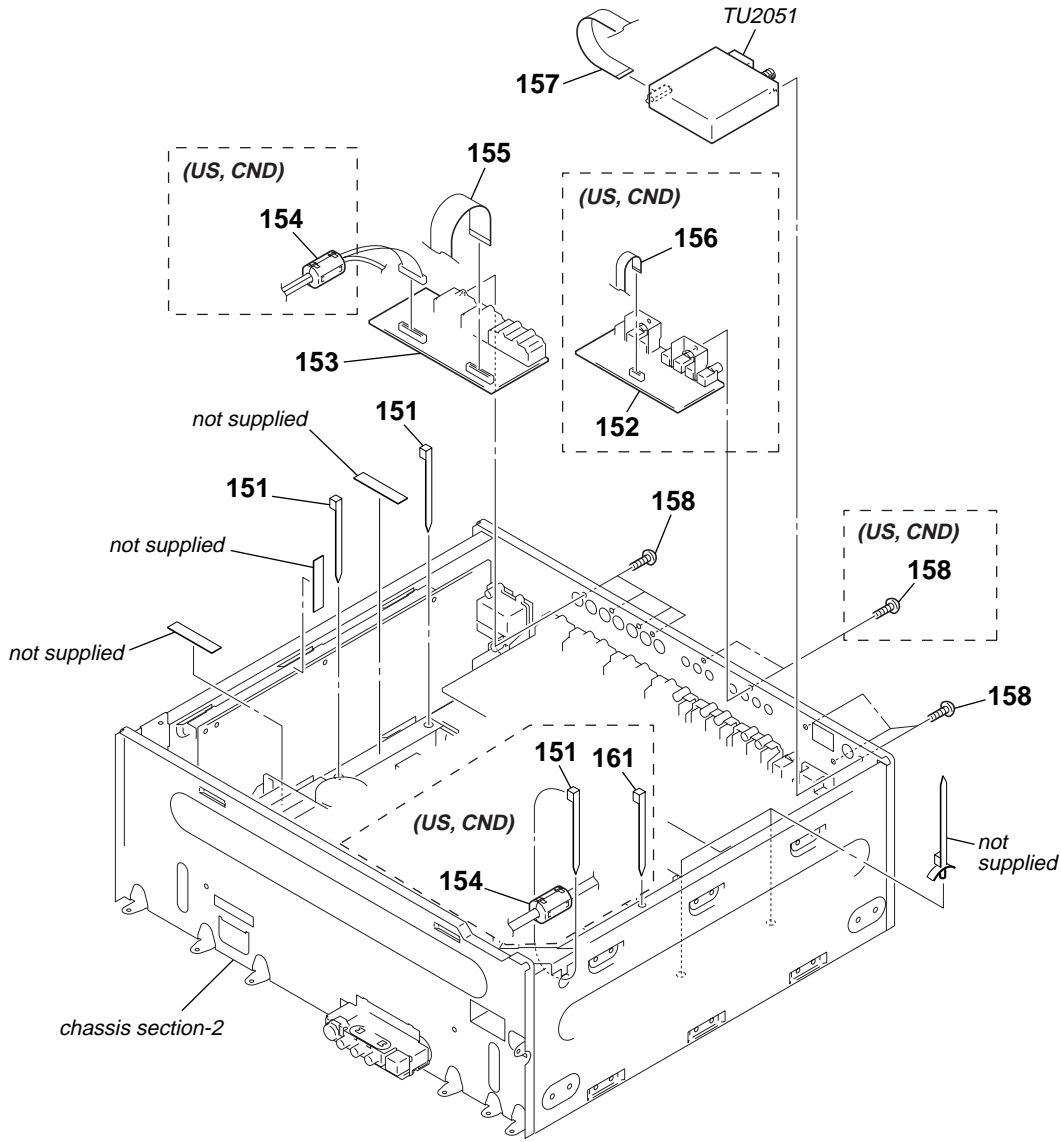
Ref. No.	Part No.	Description	Remark	Ref. No.	Part No.	Description	Remark
51	X-4955-651-1	KNOB (SEL) ASSY (SILVER)		60	1-500-249-21	BEAD, FERRITE (CASE) (AEP, TW, KR)	
51	X-4955-655-1	KNOB (SEL) ASSY (GOLD)		61	3-655-653-21	BAND (TAITON), BINDING (AEP, TW, KR)	
51	X-4955-656-1	KNOB (SEL) ASSY (BLACK)		62	1-688-731-11	LED BOARD	
52	X-4955-650-1	KNOB (VOL) ASSY (SILVER)		63	1-688-723-11	HP BOARD	
52	X-4955-654-1	KNOB (VOL) ASSY (GOLD)		64	4-246-109-01	INDICATOR (C)	
52	X-4955-657-1	KNOB (VOL) ASSY (BLACK)		65	1-688-729-11	KEY BOARD	
53	4-246-104-01	KNOB (MENU) (SILVER)		66	1-688-727-11	VOL BOARD	
53	4-246-104-11	KNOB (MENU) (GOLD)		67	1-688-726-11	FUNCTION BOARD	
53	4-246-104-21	KNOB (MENU) (BLACK)		68	4-246-118-01	BUTTON (INPUT) (SILVER)	
54	4-246-103-02	KNOB (SPEAKER) (SILVER)		68	4-246-118-11	BUTTON (INPUT) (GOLD)	
54	4-246-103-12	KNOB (SPEAKER) (GOLD)		68	4-246-118-21	BUTTON (INPUT) (BLACK)	
54	4-246-103-22	KNOB (SPEAKER) (BLACK)		69	A-4734-128-A	FL BOARD, COMPLETE (EXCEPT AEP: BLACK)	
55	3-354-981-01	SPRING (SUS), RING		69	A-4734-171-A	FL BOARD, COMPLETE (AEP: BLACK)	
56	4-942-568-41	EMBLEM (NO.5), SONY (for BLACK)		70	1-827-364-11	WIRE (FLAT TYPE) (23 CORE)	
57	A-4733-995-A	POWER SW BOARD, COMPLETE		71	1-688-724-11	JOG BOARD	
58	4-951-620-01	SCREW (2.6X8), +BVTP		72	1-773-045-11	WIRE (FLAT TYPE) (17 CORE)	
59	1-860-316-11	POWER SW SUB BOARD					

7-3. FRONT PANEL SECTION-2



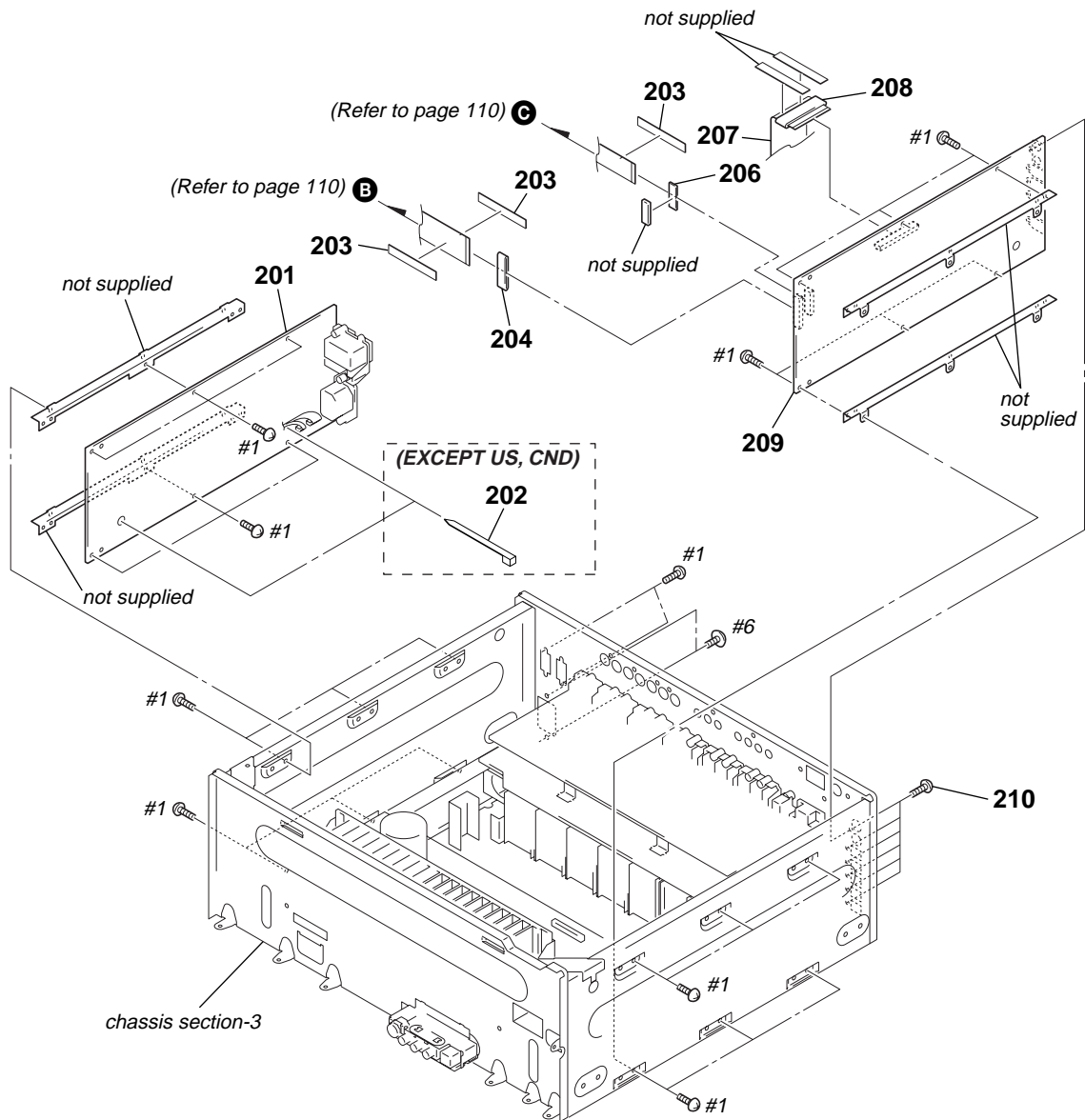
Ref. No.	Part No.	Description	Remark	Ref. No.	Part No.	Description	Remark
101	4-246-526-02	LID (SILVER)		109	4-246-509-61	PANEL, FRONT (BLACK)	
101	4-246-526-11	LID (GOLD)		109	4-246-509-71	PANEL, FRONT (GOLD: TW, KR)	
101	4-246-526-21	LID (BLACK)		110	4-246-107-01	INDICATOR (A)	
102	X-4955-632-1	ESCUTCHEON (LID) ASSY (SILVER)		111	4-249-861-01	PLATE, LIGHT INTERCEPTION	
102	X-4955-633-1	ESCUTCHEON (LID) ASSY (GOLD)		112	4-246-538-01	PLATE, INDICATION (for GOLD, SILVER)	
102	X-4955-634-1	ESCUTCHEON (LID) ASSY (BLACK)		112	4-246-538-11	PLATE, INDICATION (for BLACK)	
103	3-325-697-01	WASHER		113	4-240-391-01	DAMPER, OIL	
104	X-4955-653-1	ESCUTCHEON (DIA. 7) ASSY		114	4-246-743-01	GEAR (DAMPER)	
105	4-246-100-03	BUTTON (DIA. 7) (SILVER)		115	4-951-620-01	SCREW (2.6X8), +BVTP	
105	4-246-100-13	BUTTON (DIA. 7) (GOLD)		116	X-4955-639-2	BASE ASSY, PANEL (SILVER)	
105	4-246-100-23	BUTTON (DIA. 7) (BLACK)		116	X-4955-640-2	BASE ASSY, PANEL (GOLD)	
106	4-246-102-02	WINDOW (REMOTECONTROL)		116	X-4955-641-2	BASE ASSY, PANEL (BLACK)	
107	4-246-121-03	BUTTON (POWER) (SILVER)		#1	7-685-646-79	SCREW +BVTP 3X8 TYPE2 IT-3	
107	4-246-121-13	BUTTON (POWER) (GOLD)		#3	7-685-536-19	SCREW +BTP 2.6X12 TYPE2 N-S	
107	4-246-121-23	BUTTON (POWER) (BLACK)		#4	7-621-770-87	SCREW +B 2.6X5 (for GOLD, SILVER)	
108	X-4955-652-1	ESCUTCHEON (POWER) ASSY		#4	7-621-775-20	SCREW +B 2.6X5 (for BLACK)	
109	4-246-509-41	PANEL, FRONT (SILVER)		#5	7-685-853-04	SCREW +BVTT 2X6 (S)	
109	4-246-509-51	PANEL, FRONT (GOLD: AEP)					

7-4. CHASSIS SECTION-1



Ref. No.	Part No.	Description	Remark	Ref. No.	Part No.	Description	Remark
151	3-655-653-11	BAND (TAITON), BINDING		157	1-773-007-11	WIRE (FLAT TYPE) (15 CORE) (AEP)	
152	A-4734-119-A	CIS BOARD, COMPLETE (US, CND)		158	4-974-510-11	SCREW (+BV 3X8 CU)	
153	A-4734-123-A	S-VIDEO BOARD, COMPLETE		161	3-655-653-21	BAND (TAITON), BINDING (US, CND)	
154	1-469-969-11	CLAMP, FERRITE (US, CND)		TU2051	1-693-577-21	TUNER (US, CND)	
155	1-773-036-11	WIRE (FLAT TYPE) (17 CORE)		TU2051	1-693-578-21	TUNER (AEP)	
156	1-769-878-11	WIRE (FLAT TYPE) (7 CORE) (US, CND)		TU2051	1-693-580-23	TUNER (TW, KR)	
157	1-769-943-11	WIRE (FLAT TYPE) (11 CORE)	(US, CND, TW, KR)				

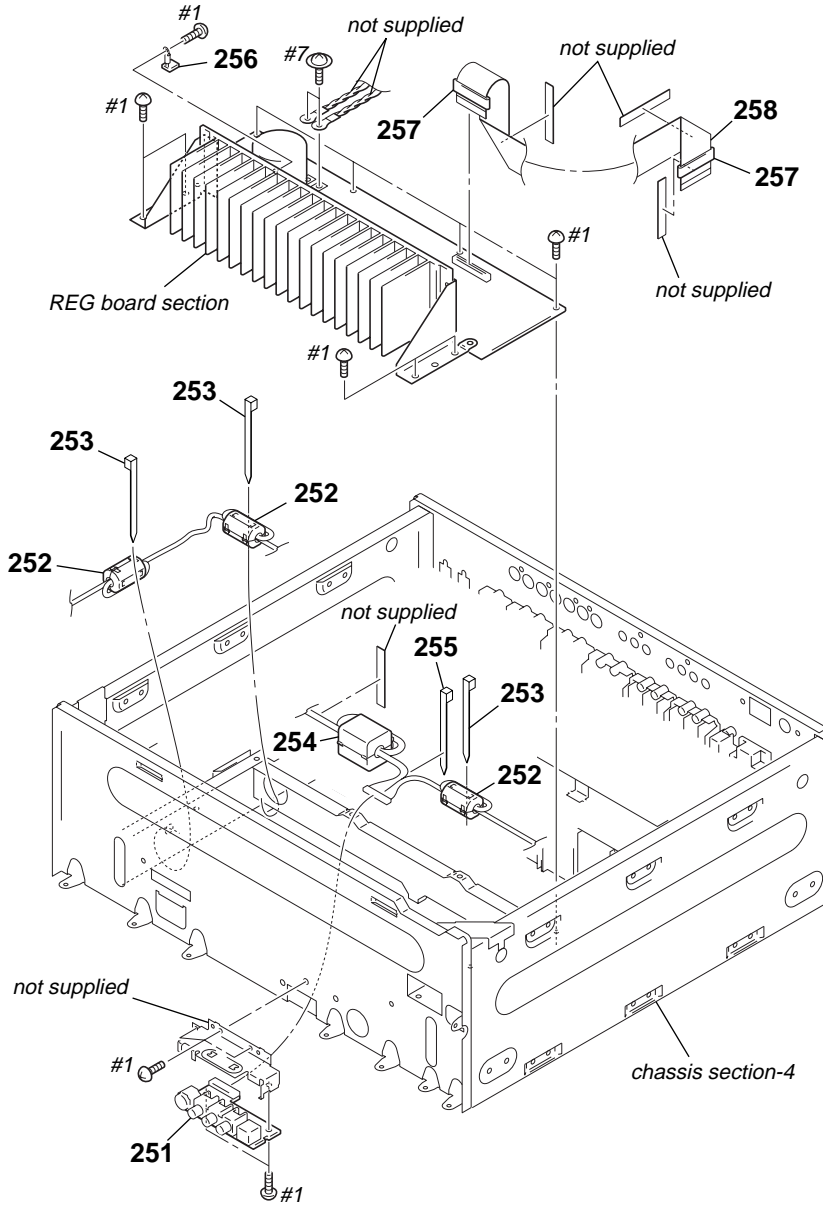
7-5. CHASSIS SECTION-2



<p>The components identified by mark Δ or dotted line with mark Δ are critical for safety. Replace only with part number specified.</p>	<p>Les composants identifiés par une marque Δ sont critiques pour la sécurité. Ne les remplacer que par une pièce portant le numéro spécifié.</p>
---	---

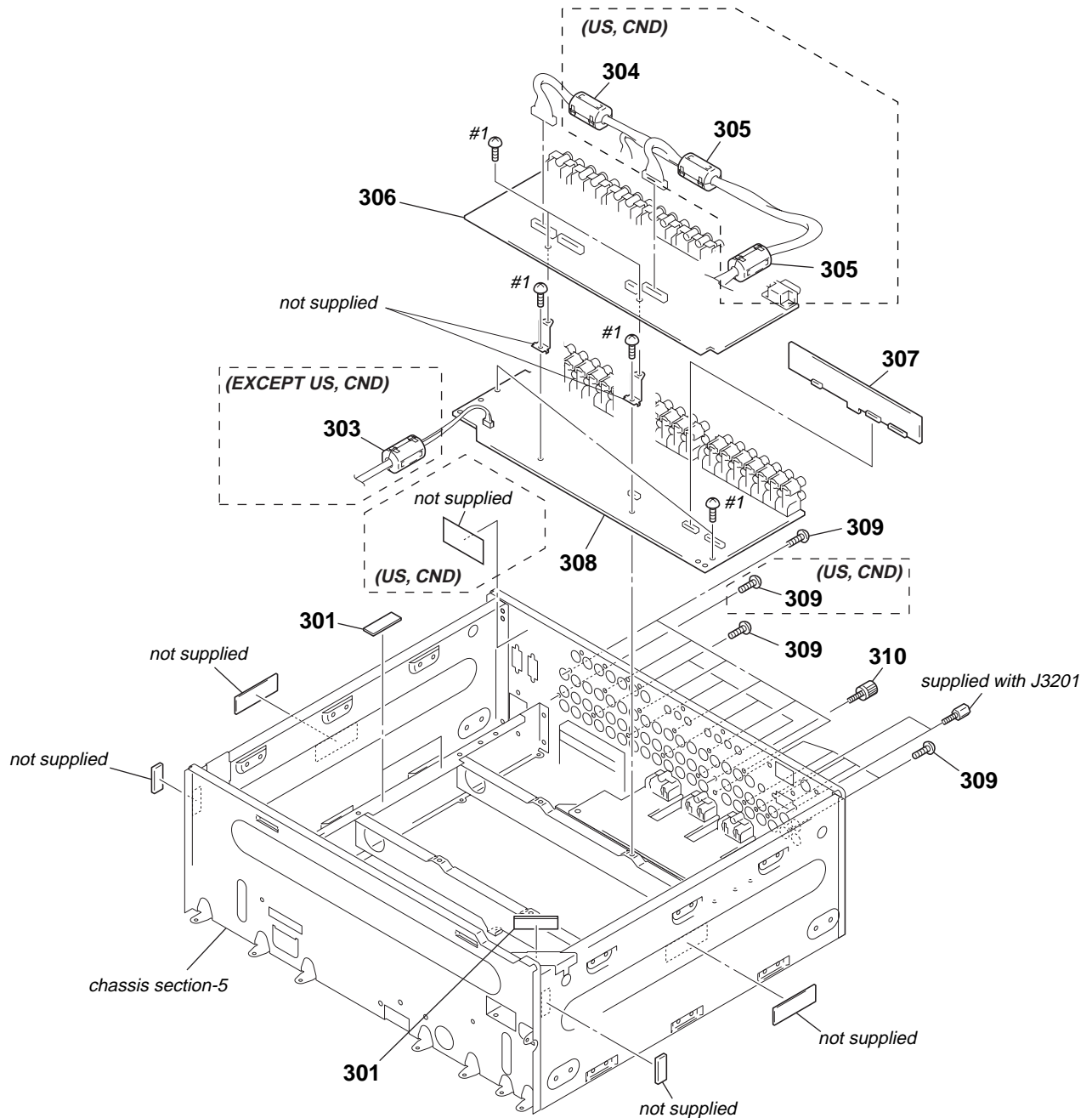
Ref. No.	Part No.	Description	Remark	Ref. No.	Part No.	Description	Remark
Δ 201	1-468-779-11	REGULATOR, SWITCHING (US, CND, TW)		208	1-400-583-11	CORE, FERRITE	
Δ 201	1-468-780-11	REGULATOR, SWITCHING (AEP)		209	A-4734-135-A	DIGITAL BOARD, COMPLETE (US, CND)	
Δ 201	1-468-781-11	REGULATOR, SWITCHING (KR)		209	A-4734-149-A	DIGITAL BOARD, COMPLETE (TW, KR)	
202	3-655-653-21	BAND (TAITON), BINDING		209	A-4734-166-A	DIGITAL BOARD, COMPLETE (AEP)	
203	4-860-518-00	CUSHION		210	4-974-510-11	SCREW (+BV 3X8 CU)	
204	1-500-472-11	CORE, FERRITE		#1	7-685-646-79	SCREW +BVTP 3X8 TYPE2 IT-3	
* 206	1-500-169-11	CORE (FPC)		#6	7-685-659-79	SCREW +BVTP 4X8 TYPE2 IT-3	
207	1-773-390-11	WIRE (FLAT TYPE) (35 CORE)					

7-6. CHASSIS SECTION-3



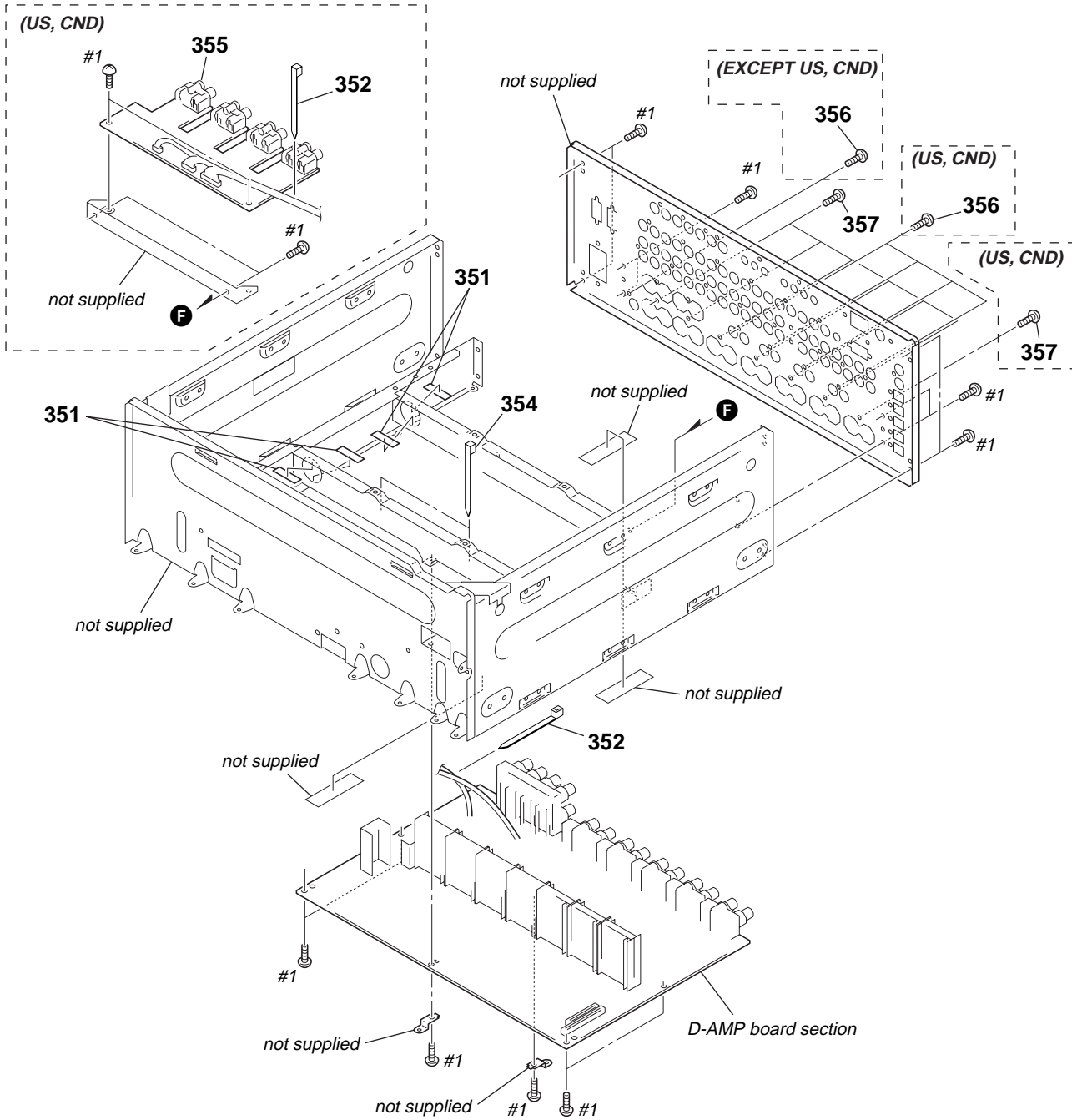
Ref. No.	Part No.	Description	Remark	Ref. No.	Part No.	Description	Remark
251	A-4733-994-A	VIDEO3 BOARD, COMPLETE		256	1-688-732-11	THERMISTOR BOARD	
252	1-469-969-11	CLAMP, FERRITE		257	1-469-854-11	CORE, FERRITE	
253	3-655-653-11	BAND (TAITON), BINDING		258	1-773-221-11	WIRE (FLAT TYPE) (25 CORE)	
254	1-500-037-11	CORE, FERRITE (WITH CASE)		#1	7-685-646-79	SCREW +BVTP 3X8 TYPE2 IT-3	
255	3-655-653-21	BAND (TAITON), BINDING		#7	7-682-948-01	SCREW +PSW 3X8	

7-7. CHASSIS SECTION-4



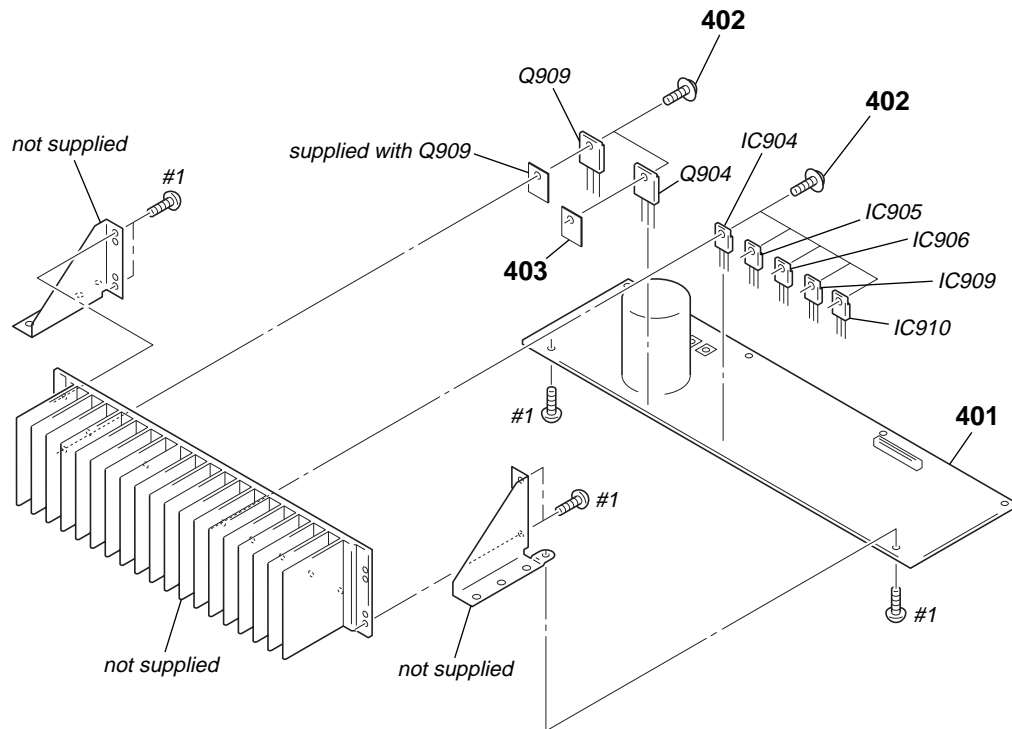
Ref. No.	Part No.	Description	Remark	Ref. No.	Part No.	Description	Remark
301	4-860-518-00	CUSHION		307	A-4749-886-A	ANALOG SUB BOARD, COMPLETE	(EXCEPT US, CND)
303	1-500-753-11	CLAMP, FERRITE (EXCEPT US, CND)		308	A-4734-130-A	AUDIO BOARD, COMPLETE (US, CND)	
304	1-469-969-11	CLAMP, FERRITE (US, CND)		308	A-4734-157-A	AUDIO BOARD, COMPLETE (EXCEPT US, CND)	
305	1-400-061-11	CORE, FERRITE (CLAMP FILTER) (US, CND)		309	4-974-510-11	SCREW (+BV 3X8 CU)	
306	A-4734-132-A	VIDEO BOARD, COMPLETE (US, CND)		310	4-947-010-01	SCREW, FEEDER FIXED	
306	A-4734-146-A	VIDEO BOARD, COMPLETE (TW, KR)		#1	7-685-646-79	SCREW +BVTP 3X8 TYPE2 IT-3	
306	A-4734-159-A	VIDEO BOARD, COMPLETE (AEP)					
307	A-4749-884-A	ANALOG SUB BOARD, COMPLETE (US, CND)					

7-8. CHASSIS SECTION-5



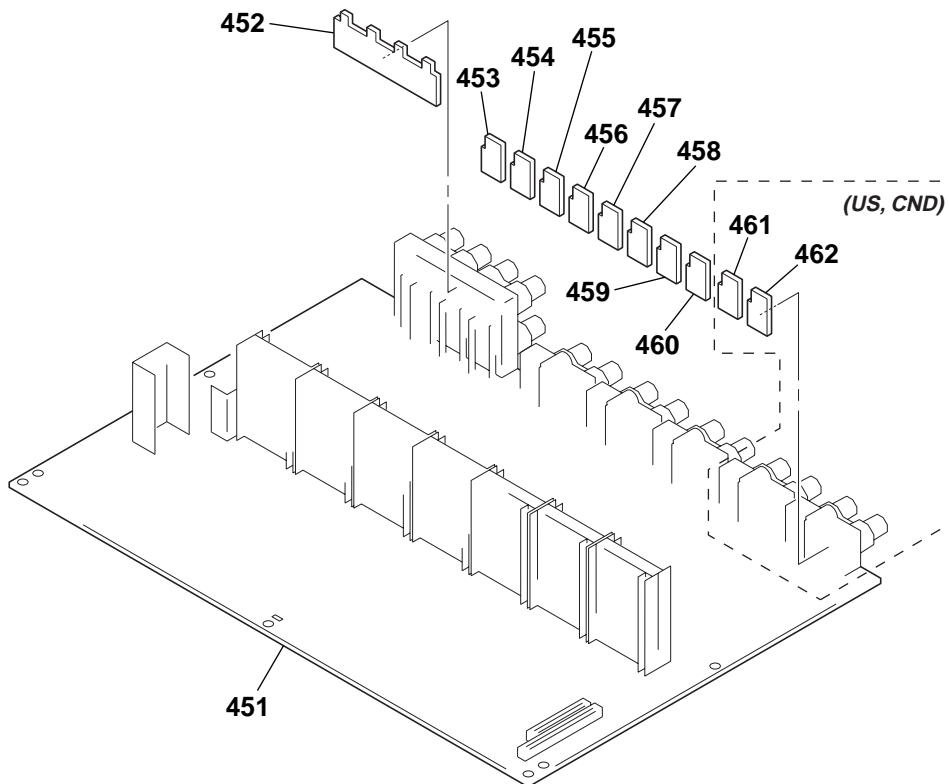
Ref. No.	Part No.	Description	Remark	Ref. No.	Part No.	Description	Remark
351	4-860-518-00	CUSHION		356	4-974-510-11	SCREW (+BV 3X8 CU)	
352	3-655-653-21	BAND (TAITON), BINDING		357	3-704-515-51	SCREW (BV/RING)	
354	3-655-653-11	BAND (TAITON), BINDING		#1	7-685-646-79	SCREW +BVTP 3X8 TYPE2 IT-3	
355	A-4734-125-A	PRE-OUT BOARD, COMPLETE (US, CND)					

7-9. REG BOARD SECTION



Ref. No.	Part No.	Description	Remark	Ref. No.	Part No.	Description	Remark
401	A-4734-121-A	REG BOARD, COMPLETE (US, CND)		IC906	8-759-245-79	IC TA79005S	
401	A-4734-162-A	REG BOARD, COMPLETE (EXCEPT US, CND)		IC909	8-759-445-59	IC BA033T	
402	3-905-609-11	SCREW (TRANSISTOR)		IC910	8-759-231-53	IC TA7805S	
403	4-383-023-01	SPACER, MICA		Q904	6-550-625-01	TRANSISTOR 2SK1381	
IC904	8-759-231-53	IC TA7805S		Q909	6-702-390-01	IC MN2488-OPY-MK	
IC905	8-759-394-36	IC BA09T		#1	7-685-646-79	SCREW +BVTP 3X8 TYPE2 IT-3	

7-10. D-AMP BOARD SECTION



<u>Ref. No.</u>	<u>Part No.</u>	<u>Description</u>	<u>Remark</u>	<u>Ref. No.</u>	<u>Part No.</u>	<u>Description</u>	<u>Remark</u>
451	A-4734-137-A	D-AMP BOARD, COMPLETE (US, CND)		456	1-860-494-11	SP TM (E) BOARD	
451	A-4734-151-A	D-AMP BOARD, COMPLETE (TW, KR)		457	1-860-495-11	SP TM (F) BOARD	
451	A-4734-168-A	D-AMP BOARD, COMPLETE (AEP)		458	1-860-496-11	SP TM (G) BOARD	
452	1-860-490-11	SP TM (A) BOARD		459	1-860-497-11	SP TM (H) BOARD	
453	1-860-491-11	SP TM (B) BOARD		460	1-860-498-11	SP TM (I) BOARD	
454	1-860-492-11	SP TM (C) BOARD		461	1-860-499-11	SP TM (J) BOARD (US, CND)	
455	1-860-493-11	SP TM (D) BOARD		462	1-860-500-11	SP TM (K) BOARD (US, CND)	

SECTION 8 ELECTRICAL PARTS LIST

ANALOG SUB

NOTE:

- Due to standardization, replacements in the parts list may be different from the parts specified in the diagrams or the components used on the set.
- -XX and -X mean standardized parts, so they may have some difference from the original one.
- **RESISTORS**
All resistors are in ohms.
METAL: Metal-film resistor.
METAL OXIDE: Metal oxide-film resistor.
F: nonflammable
- Abbreviation
CND : Canadian model
KR : Korean model
TW : Taiwan model

- Items marked "*" are not stocked since they are seldom required for routine service. Some delay should be anticipated when ordering these items.
- **SEMICONDUCTORS**
In each case, u: μ , for example:
uA. . . : μ A. . . uPA. . . : μ PA. . .
uPB. . . : μ PB. . . uPC. . . : μ PC. . .
uPD. . . : μ PD. . .
- **CAPACITORS**
uF: μ F
- **COILS**
uH: μ H

The components identified by mark Δ or dotted line with mark Δ are critical for safety.
Replace only with part number specified.

Les composants identifiés par une marque Δ sont critiques pour la sécurité.
Ne les remplacer que par une pièce portant le numéro spécifié.

When indicating parts by reference number, please include the board.

Ref. No.	Part No.	Description	Remark	Ref. No.	Part No.	Description	Remark
	A-4749-884-A	ANALOG SUB BOARD, COMPLETE (US, CND)		C243	1-128-858-11	ELECT	22uF 20% 50V (US, CND)
	A-4749-886-A	ANALOG SUB BOARD, COMPLETE (EXCEPT US, CND)					

	< CAPACITOR >						
C111	1-137-431-11	MYLAR	560PF 5% 50V				
C113	1-119-825-11	ELECT	22uF 20% 50V (EXCEPT US, CND)	C263	1-128-858-11	ELECT	22uF 20% 50V (US, CND)
C113	1-128-858-11	ELECT	22uF 20% 50V (US, CND)				
C114	1-135-835-91	ELECT	1000uF 16V	C267	1-164-156-11	CERAMIC CHIP	0.1uF 25V
C115	1-135-835-91	ELECT	1000uF 16V	C268	1-164-156-11	CERAMIC CHIP	0.1uF 25V
C116	1-164-156-11	CERAMIC CHIP	0.1uF 25V	C281	1-137-431-11	MYLAR	560PF 5% 50V
C117	1-164-156-11	CERAMIC CHIP	0.1uF 25V	C283	1-119-825-11	ELECT	22uF 20% 50V (EXCEPT US, CND)
C141	1-137-431-11	MYLAR	560PF 5% 50V	C283	1-128-858-11	ELECT	22uF 20% 50V (US, CND)
C143	1-119-825-11	ELECT	22uF 20% 50V (EXCEPT US, CND)				
C143	1-128-858-11	ELECT	22uF 20% 50V (US, CND)	C287	1-164-156-11	CERAMIC CHIP	0.1uF 25V
				C288	1-164-156-11	CERAMIC CHIP	0.1uF 25V
				< CONNECTOR >			
C147	1-164-156-11	CERAMIC CHIP	0.1uF 25V	CNP601	1-784-927-11	PIN, CONNECTOR 12P	
C148	1-164-156-11	CERAMIC CHIP	0.1uF 25V	CNP602	1-784-928-11	PIN, CONNECTOR 13P	
C161	1-137-431-11	MYLAR	560PF 5% 50V	CNP620	1-784-041-41	CONNECTOR, BOARD TO BOARD 9P	
C163	1-119-825-11	ELECT	22uF 20% 50V (EXCEPT US, CND)	CNP621	1-766-724-11	CONNECTOR, BOARD TO BOARD 7P	
C163	1-128-858-11	ELECT	22uF 20% 50V (US, CND)	CNP622	1-770-011-41	CONNECTOR, BOARD TO BOARD 4P	
				< IC >			
C167	1-164-156-11	CERAMIC CHIP	0.1uF 25V	IC111	8-759-832-29	IC NJM4580M-(TE2)	
C168	1-164-156-11	CERAMIC CHIP	0.1uF 25V	IC141	8-759-832-29	IC NJM4580M-(TE2)	
C181	1-137-431-11	MYLAR	560PF 5% 50V	IC161	8-759-832-29	IC NJM4580M-(TE2)	
C183	1-119-825-11	ELECT	22uF 20% 50V (EXCEPT US, CND)	IC181	8-759-832-29	IC NJM4580M-(TE2)	
C183	1-128-858-11	ELECT	22uF 20% 50V (US, CND)	IC211	8-759-832-29	IC NJM4580M-(TE2)	
				IC241	8-759-832-29	IC NJM4580M-(TE2)	
C187	1-164-156-11	CERAMIC CHIP	0.1uF 25V	IC261	8-759-832-29	IC NJM4580M-(TE2)	
C188	1-164-156-11	CERAMIC CHIP	0.1uF 25V	IC281	8-759-832-29	IC NJM4580M-(TE2)	
C211	1-137-431-11	MYLAR	560PF 5% 50V	< RESISTOR >			
C213	1-119-825-11	ELECT	22uF 20% 50V (EXCEPT US, CND)	R111	1-216-619-11	METAL CHIP	47 0.5% 1/10W
C213	1-128-858-11	ELECT	22uF 20% 50V (US, CND)	R112	1-216-675-11	METAL CHIP	1K 0.5% 1/10W
				R113	1-216-675-11	METAL CHIP	1K 0.5% 1/10W
C216	1-164-156-11	CERAMIC CHIP	0.1uF 25V	R114	1-216-619-11	METAL CHIP	47 0.5% 1/10W
C217	1-164-156-11	CERAMIC CHIP	0.1uF 25V	R115	1-216-670-11	METAL CHIP	6.2K 0.5% 1/10W
C241	1-137-431-11	MYLAR	560PF 5% 50V				
C243	1-119-825-11	ELECT	22uF 20% 50V (EXCEPT US, CND)	R116	1-216-683-11	METAL CHIP	22K 0.5% 1/10W
				R119	1-216-675-11	METAL CHIP	1K 0.5% 1/10W

STR-DA3000ES

ANALOG SUB

AUDIO

Ref. No.	Part No.	Description	Remark
R120	1-216-675-11	METAL CHIP 1K	0.5% 1/10W
R141	1-216-619-11	METAL CHIP 47	0.5% 1/10W
R142	1-216-675-11	METAL CHIP 1K	0.5% 1/10W
R143	1-216-675-11	METAL CHIP 1K	0.5% 1/10W
R144	1-216-619-11	METAL CHIP 47	0.5% 1/10W
R145	1-216-670-11	METAL CHIP 6.2K	0.5% 1/10W
R146	1-216-683-11	METAL CHIP 22K	0.5% 1/10W
R149	1-216-675-11	METAL CHIP 1K	0.5% 1/10W
R150	1-216-675-11	METAL CHIP 1K	0.5% 1/10W
R161	1-216-619-11	METAL CHIP 47	0.5% 1/10W
R162	1-216-675-11	METAL CHIP 1K	0.5% 1/10W
R163	1-216-675-11	METAL CHIP 1K	0.5% 1/10W
R164	1-216-619-11	METAL CHIP 47	0.5% 1/10W
R165	1-216-670-11	METAL CHIP 6.2K	0.5% 1/10W
R166	1-216-683-11	METAL CHIP 22K	0.5% 1/10W
R169	1-216-675-11	METAL CHIP 1K	0.5% 1/10W
R170	1-216-675-11	METAL CHIP 1K	0.5% 1/10W
R181	1-216-619-11	METAL CHIP 47	0.5% 1/10W
R182	1-216-675-11	METAL CHIP 1K	0.5% 1/10W
R183	1-216-675-11	METAL CHIP 1K	0.5% 1/10W
R184	1-216-619-11	METAL CHIP 47	0.5% 1/10W
R185	1-216-670-11	METAL CHIP 6.2K	0.5% 1/10W
R186	1-216-683-11	METAL CHIP 22K	0.5% 1/10W
R189	1-216-675-11	METAL CHIP 1K	0.5% 1/10W
R190	1-216-675-11	METAL CHIP 1K	0.5% 1/10W
R191	1-216-849-11	METAL CHIP 220K	5% 1/10W
R192	1-216-849-11	METAL CHIP 220K	5% 1/10W
R193	1-216-849-11	METAL CHIP 220K	5% 1/10W
R194	1-216-849-11	METAL CHIP 220K	5% 1/10W
R195	1-216-849-11	METAL CHIP 220K	5% 1/10W
R196	1-216-849-11	METAL CHIP 220K	5% 1/10W
R197	1-216-849-11	METAL CHIP 220K	5% 1/10W
R198	1-216-849-11	METAL CHIP 220K	5% 1/10W
R199	1-216-849-11	METAL CHIP 220K	5% 1/10W
R200	1-216-849-11	METAL CHIP 220K	5% 1/10W
R201	1-216-849-11	METAL CHIP 220K	5% 1/10W
R202	1-216-849-11	METAL CHIP 220K	5% 1/10W
R203	1-216-849-11	METAL CHIP 220K	5% 1/10W
R204	1-216-849-11	METAL CHIP 220K	5% 1/10W
R205	1-216-849-11	METAL CHIP 220K	5% 1/10W
R206	1-216-849-11	METAL CHIP 220K	5% 1/10W
R211	1-216-619-11	METAL CHIP 47	0.5% 1/10W
R212	1-216-675-11	METAL CHIP 1K	0.5% 1/10W
R213	1-216-675-11	METAL CHIP 1K	0.5% 1/10W
R214	1-216-619-11	METAL CHIP 47	0.5% 1/10W
R215	1-216-670-11	METAL CHIP 6.2K	0.5% 1/10W
R216	1-216-683-11	METAL CHIP 22K	0.5% 1/10W
R219	1-216-675-11	METAL CHIP 1K	0.5% 1/10W
R220	1-216-675-11	METAL CHIP 1K	0.5% 1/10W
R241	1-216-619-11	METAL CHIP 47	0.5% 1/10W
R242	1-216-675-11	METAL CHIP 1K	0.5% 1/10W
R243	1-216-675-11	METAL CHIP 1K	0.5% 1/10W
R244	1-216-619-11	METAL CHIP 47	0.5% 1/10W
R245	1-216-670-11	METAL CHIP 6.2K	0.5% 1/10W
R246	1-216-683-11	METAL CHIP 22K	0.5% 1/10W
R249	1-216-675-11	METAL CHIP 1K	0.5% 1/10W
R250	1-216-675-11	METAL CHIP 1K	0.5% 1/10W
R261	1-216-619-11	METAL CHIP 47	0.5% 1/10W

Ref. No.	Part No.	Description	Remark
R262	1-216-675-11	METAL CHIP 1K	0.5% 1/10W
R263	1-216-675-11	METAL CHIP 1K	0.5% 1/10W
R264	1-216-619-11	METAL CHIP 47	0.5% 1/10W
R265	1-216-670-11	METAL CHIP 6.2K	0.5% 1/10W
R266	1-216-683-11	METAL CHIP 22K	0.5% 1/10W
R269	1-216-675-11	METAL CHIP 1K	0.5% 1/10W
R270	1-216-675-11	METAL CHIP 1K	0.5% 1/10W
R281	1-216-619-11	METAL CHIP 47	0.5% 1/10W
R282	1-216-675-11	METAL CHIP 1K	0.5% 1/10W
R283	1-216-675-11	METAL CHIP 1K	0.5% 1/10W
R284	1-216-619-11	METAL CHIP 47	0.5% 1/10W
R285	1-216-670-11	METAL CHIP 6.2K	0.5% 1/10W
R286	1-216-683-11	METAL CHIP 22K	0.5% 1/10W
R289	1-216-675-11	METAL CHIP 1K	0.5% 1/10W
R290	1-216-675-11	METAL CHIP 1K	0.5% 1/10W
< VARIABLE RESISTOR >			
RV111	1-227-405-21	RES, ADJ, CERMET	220
RV141	1-227-405-21	RES, ADJ, CERMET	220
RV161	1-227-405-21	RES, ADJ, CERMET	220
RV181	1-227-405-21	RES, ADJ, CERMET	220
RV211	1-227-405-21	RES, ADJ, CERMET	220
RV241	1-227-405-21	RES, ADJ, CERMET	220
RV261	1-227-405-21	RES, ADJ, CERMET	220
RV281	1-227-405-21	RES, ADJ, CERMET	220

A-4734-130-A AUDIO BOARD, COMPLETE (US, CND)			
A-4734-157-A AUDIO BOARD, COMPLETE (EXCEPT US, CND)			

< CAPACITOR >			
C112	1-119-825-41	ELECT	22uF 20% 50V (EXCEPT US, CND)
C112	1-128-858-11	ELECT	22uF 20% 50V (US, CND)
C121	1-119-825-41	ELECT	22uF 20% 50V (EXCEPT US, CND)
C121	1-128-858-11	ELECT	22uF 20% 50V (US, CND)
C122	1-119-825-41	ELECT	22uF 20% 50V (EXCEPT US, CND)
C122	1-128-858-11	ELECT	22uF 20% 50V (US, CND)
C126	1-119-825-41	ELECT	22uF 20% 50V (EXCEPT US, CND)
C126	1-128-858-11	ELECT	22uF 20% 50V (US, CND)
C127	1-119-825-41	ELECT	22uF 20% 50V (EXCEPT US, CND)
C127	1-128-858-11	ELECT	22uF 20% 50V (US, CND)
C128	1-119-825-41	ELECT	22uF 20% 50V (EXCEPT US, CND)
C128	1-128-858-11	ELECT	22uF 20% 50V (US, CND)
C142	1-119-825-41	ELECT	22uF 20% 50V (EXCEPT US, CND)
C142	1-128-858-11	ELECT	22uF 20% 50V (US, CND)

AUDIO

Ref. No.	Part No.	Description	Remark	Ref. No.	Part No.	Description	Remark
C162	1-119-825-41	ELECT	22uF 20% 50V (EXCEPT US, CND)	C406	1-163-251-11	CERAMIC CHIP 100PF	5% 50V (EXCEPT US, CND)
C162	1-128-858-11	ELECT	22uF 20% 50V (US, CND)	C407	1-163-251-11	CERAMIC CHIP 100PF	5% 50V (EXCEPT US, CND)
C182	1-119-825-41	ELECT	22uF 20% 50V (EXCEPT US, CND)	C411	1-163-251-11	CERAMIC CHIP 100PF	5% 50V (EXCEPT US, CND)
C182	1-128-858-11	ELECT	22uF 20% 50V (US, CND)	C412	1-163-251-11	CERAMIC CHIP 100PF	5% 50V (EXCEPT US, CND)
C212	1-119-825-41	ELECT	22uF 20% 50V (EXCEPT US, CND)	C413	1-163-251-11	CERAMIC CHIP 100PF	5% 50V (EXCEPT US, CND)
C212	1-128-858-11	ELECT	22uF 20% 50V (US, CND)	C414	1-163-251-11	CERAMIC CHIP 100PF	5% 50V (EXCEPT US, CND)
C221	1-119-825-41	ELECT	22uF 20% 50V (EXCEPT US, CND)	C415	1-163-251-11	CERAMIC CHIP 100PF	5% 50V (EXCEPT US, CND)
C221	1-128-858-11	ELECT	22uF 20% 50V (US, CND)	C416	1-163-251-11	CERAMIC CHIP 100PF	5% 50V (EXCEPT US, CND)
C222	1-119-825-41	ELECT	22uF 20% 50V (EXCEPT US, CND)	C417	1-163-251-11	CERAMIC CHIP 100PF	5% 50V (EXCEPT US, CND)
C222	1-128-858-11	ELECT	22uF 20% 50V (US, CND)	C418	1-163-251-11	CERAMIC CHIP 100PF	5% 50V (EXCEPT US, CND)
C226	1-119-825-41	ELECT	22uF 20% 50V (EXCEPT US, CND)	C419	1-163-251-11	CERAMIC CHIP 100PF	5% 50V (EXCEPT US, CND)
C226	1-128-858-11	ELECT	22uF 20% 50V (US, CND)	C420	1-163-251-11	CERAMIC CHIP 100PF	5% 50V (EXCEPT US, CND)
C227	1-119-825-41	ELECT	22uF 20% 50V (EXCEPT US, CND)	C421	1-163-251-11	CERAMIC CHIP 100PF	5% 50V (EXCEPT US, CND)
C227	1-128-858-11	ELECT	22uF 20% 50V (US, CND)	C422	1-119-825-41	ELECT 22uF	20% 50V (EXCEPT US, CND)
C228	1-119-825-41	ELECT	22uF 20% 50V (EXCEPT US, CND)	C422	1-128-858-11	ELECT 22uF	20% 50V (US, CND)
C228	1-128-858-11	ELECT	22uF 20% 50V (US, CND)	C423	1-119-825-41	ELECT 22uF	20% 50V (EXCEPT US, CND)
C242	1-119-825-41	ELECT	22uF 20% 50V (EXCEPT US, CND)	C423	1-128-858-11	ELECT 22uF	20% 50V (US, CND)
C242	1-128-858-11	ELECT	22uF 20% 50V (US, CND)	C424	1-119-825-41	ELECT 22uF	20% 50V (EXCEPT US, CND)
C262	1-119-825-41	ELECT	22uF 20% 50V (EXCEPT US, CND)	C424	1-128-858-11	ELECT 22uF	20% 50V (US, CND)
C262	1-128-858-11	ELECT	22uF 20% 50V (US, CND)	C425	1-119-825-41	ELECT 22uF	20% 50V (EXCEPT US, CND)
C282	1-119-825-41	ELECT	22uF 20% 50V (EXCEPT US, CND)	C425	1-128-858-11	ELECT 22uF	20% 50V (US, CND)
C282	1-128-858-11	ELECT	22uF 20% 50V (US, CND)	C431	1-163-251-11	CERAMIC CHIP 100PF	5% 50V (EXCEPT US, CND)
C326	1-163-251-11	CERAMIC CHIP	100PF 5% 50V	C432	1-163-125-00	CERAMIC CHIP 220PF	5% 50V (EXCEPT US, CND)
C327	1-163-021-11	CERAMIC CHIP	0.01uF 10% 50V	C433	1-119-821-11	ELECT 2.2uF	20% 50V
C328	1-164-161-11	CERAMIC CHIP	0.0022uF 10% 50V	C434	1-163-251-11	CERAMIC CHIP 100PF	5% 50V (EXCEPT US, CND)
C329	1-164-161-11	CERAMIC CHIP	0.0022uF 10% 50V	C435	1-128-834-11	ELECT 470uF	20% 10V
C341	1-163-251-11	CERAMIC CHIP	100PF 5% 50V	C436	1-125-896-91	MYLAR 0.0091uF	5% 50V
C342	1-163-021-11	CERAMIC CHIP	0.01uF 10% 50V	C437	1-136-159-00	MYLAR 0.033uF	5% 50V
C343	1-164-161-11	CERAMIC CHIP	0.0022uF 10% 50V	C438	1-126-045-11	ELECT 2.2uF	20% 50V
C344	1-164-161-11	CERAMIC CHIP	0.0022uF 10% 50V	C441	1-128-858-11	ELECT 22uF	20% 50V (US, CND)
C401	1-163-251-11	CERAMIC CHIP	100PF 5% 50V (EXCEPT US, CND)	C442	1-128-858-11	ELECT 22uF	20% 50V (US, CND)
C402	1-163-251-11	CERAMIC CHIP	100PF 5% 50V (EXCEPT US, CND)	C443	1-128-858-11	ELECT 22uF	20% 50V (US, CND)
C403	1-163-251-11	CERAMIC CHIP	100PF 5% 50V (EXCEPT US, CND)	C444	1-128-832-11	ELECT 220uF	20% 10V (US, CND)
C404	1-163-251-11	CERAMIC CHIP	100PF 5% 50V (EXCEPT US, CND)				
C405	1-163-251-11	CERAMIC CHIP	100PF 5% 50V (EXCEPT US, CND)				

STR-DA3000ES

AUDIO

Ref. No.	Part No.	Description	Remark	Ref. No.	Part No.	Description	Remark
C445	1-137-505-11	MYLAR	220PF 5% 100V (US, CND)	C522	1-128-858-11	ELECT	22uF 20% 50V (US, CND)
C446	1-128-858-11	ELECT	22uF 20% 50V (US, CND)	C523	1-119-825-41	ELECT	22uF 20% 50V (EXCEPT US, CND)
C485	1-164-161-11	CERAMIC CHIP	0.0022uF 10% 50V	C523	1-128-858-11	ELECT	22uF 20% 50V (US, CND)
C486	1-164-161-11	CERAMIC CHIP	0.0022uF 10% 50V	C524	1-119-825-41	ELECT	22uF 20% 50V (EXCEPT US, CND)
C487	1-163-038-00	CERAMIC CHIP	0.1uF 25V	C524	1-128-858-11	ELECT	22uF 20% 50V (US, CND)
C488	1-163-251-11	CERAMIC CHIP	100PF 5% 50V	C525	1-119-825-41	ELECT	22uF 20% 50V (EXCEPT US, CND)
C491	1-163-251-11	CERAMIC CHIP	100PF 5% 50V (EXCEPT US, CND)	C525	1-128-858-11	ELECT	22uF 20% 50V (US, CND)
C492	1-163-251-11	CERAMIC CHIP	100PF 5% 50V (EXCEPT US, CND)	C525	1-119-825-41	ELECT	22uF 20% 50V (EXCEPT US, CND)
C493	1-163-251-11	CERAMIC CHIP	100PF 5% 50V (EXCEPT US, CND)	C525	1-128-858-11	ELECT	22uF 20% 50V (US, CND)
C494	1-163-251-11	CERAMIC CHIP	100PF 5% 50V (EXCEPT US, CND)	C531	1-163-251-11	CERAMIC CHIP	100PF 5% 50V (EXCEPT US, CND)
C495	1-163-251-11	CERAMIC CHIP	100PF 5% 50V (EXCEPT US, CND)	C532	1-163-125-00	CERAMIC CHIP	220PF 5% 50V (EXCEPT US, CND)
C496	1-163-251-11	CERAMIC CHIP	100PF 5% 50V (EXCEPT US, CND)	C533	1-119-821-11	ELECT	2.2uF 20% 50V
C497	1-117-681-11	ELECT CHIP	100uF 20% 16V	C534	1-163-251-11	CERAMIC CHIP	100PF 5% 50V (EXCEPT US, CND)
C498	1-126-395-11	ELECT CHIP	22uF 20% 16V	C535	1-128-834-11	ELECT	470uF 20% 10V
C499	1-117-681-11	ELECT CHIP	100uF 20% 16V	C536	1-125-896-91	MYLAR	0.0091uF 5% 50V
C501	1-163-251-11	CERAMIC CHIP	100PF 5% 50V (EXCEPT US, CND)	C537	1-136-159-00	MYLAR	0.033uF 5% 50V
C502	1-163-251-11	CERAMIC CHIP	100PF 5% 50V (EXCEPT US, CND)	C538	1-126-045-11	ELECT	2.2uF 20% 50V
C503	1-163-251-11	CERAMIC CHIP	100PF 5% 50V (EXCEPT US, CND)	C541	1-128-858-11	ELECT	22uF 20% 50V (US, CND)
C504	1-163-251-11	CERAMIC CHIP	100PF 5% 50V (EXCEPT US, CND)	C542	1-128-858-11	ELECT	22uF 20% 50V (US, CND)
C505	1-163-251-11	CERAMIC CHIP	100PF 5% 50V (EXCEPT US, CND)	C543	1-128-858-11	ELECT	22uF 20% 50V (US, CND)
C506	1-163-251-11	CERAMIC CHIP	100PF 5% 50V (EXCEPT US, CND)	C544	1-128-832-11	ELECT	220uF 20% 10V (US, CND)
C507	1-163-251-11	CERAMIC CHIP	100PF 5% 50V (EXCEPT US, CND)	C545	1-137-505-11	MYLAR	220PF 5% 100V (US, CND)
C511	1-163-251-11	CERAMIC CHIP	100PF 5% 50V (EXCEPT US, CND)	C546	1-128-858-11	ELECT	22uF 20% 50V (US, CND)
C512	1-163-251-11	CERAMIC CHIP	100PF 5% 50V (EXCEPT US, CND)	C585	1-164-161-11	CERAMIC CHIP	0.0022uF 10% 50V
C513	1-163-251-11	CERAMIC CHIP	100PF 5% 50V (EXCEPT US, CND)	C586	1-164-161-11	CERAMIC CHIP	0.0022uF 10% 50V
C514	1-163-251-11	CERAMIC CHIP	100PF 5% 50V (EXCEPT US, CND)	C587	1-163-038-00	CERAMIC CHIP	0.1uF 25V
C515	1-163-251-11	CERAMIC CHIP	100PF 5% 50V (EXCEPT US, CND)	C588	1-163-251-11	CERAMIC CHIP	100PF 5% 50V
C516	1-163-251-11	CERAMIC CHIP	100PF 5% 50V (EXCEPT US, CND)	C591	1-163-251-11	CERAMIC CHIP	100PF 5% 50V (EXCEPT US, CND)
C517	1-163-251-11	CERAMIC CHIP	100PF 5% 50V (EXCEPT US, CND)	C592	1-163-251-11	CERAMIC CHIP	100PF 5% 50V (EXCEPT US, CND)
C518	1-163-251-11	CERAMIC CHIP	100PF 5% 50V (EXCEPT US, CND)	C593	1-163-251-11	CERAMIC CHIP	100PF 5% 50V (EXCEPT US, CND)
C519	1-163-251-11	CERAMIC CHIP	100PF 5% 50V (EXCEPT US, CND)	C594	1-163-251-11	CERAMIC CHIP	100PF 5% 50V (EXCEPT US, CND)
C520	1-163-251-11	CERAMIC CHIP	100PF 5% 50V (EXCEPT US, CND)	C595	1-163-251-11	CERAMIC CHIP	100PF 5% 50V (EXCEPT US, CND)
C521	1-163-251-11	CERAMIC CHIP	100PF 5% 50V (EXCEPT US, CND)	C596	1-163-251-11	CERAMIC CHIP	100PF 5% 50V (EXCEPT US, CND)
C522	1-119-825-41	ELECT	22uF 20% 50V (EXCEPT US, CND)	C597	1-126-395-11	ELECT CHIP	22uF 20% 16V
				C598	1-126-395-11	ELECT CHIP	22uF 20% 16V
				C599	1-117-681-11	ELECT CHIP	100uF 20% 16V
				C601	1-216-295-00	SHORT CHIP	0
				C602	1-216-295-00	SHORT CHIP	0
				C603	1-216-295-00	SHORT CHIP	0
				C604	1-216-295-00	SHORT CHIP	0
				C611	1-216-295-00	SHORT CHIP	0

AUDIO

Ref. No.	Part No.	Description	Remark	Ref. No.	Part No.	Description	Remark	
C612	1-216-295-00	SHORT CHIP	0	IC301	8-759-832-29	IC NJM4580M-(TE2)		
C613	1-216-295-00	SHORT CHIP	0	IC311	8-759-832-29	IC NJM4580M-(TE2)		
C614	1-216-295-00	SHORT CHIP	0	IC312	8-759-832-29	IC NJM4580M-(TE2)		
C615	1-216-295-00	SHORT CHIP	0					
C631	1-163-033-00	CERAMIC CHIP	0.022uF	50V	IC313	8-759-832-29	IC NJM4580M-(TE2)	
C632	1-163-033-00	CERAMIC CHIP	0.022uF	50V	IC321	8-759-832-29	IC NJM4580M-(TE2)	
C642	1-164-161-11	CERAMIC CHIP	0.0022uF	10%	50V	IC322	8-759-832-29	IC NJM4580M-(TE2)
					(US, CND)	IC326	8-759-835-79	IC TC9274N-016
C643	1-164-161-11	CERAMIC CHIP	0.0022uF	10%	50V	IC327	8-759-832-29	IC NJM4580M-(TE2)
					(US, CND)	IC341	8-759-835-79	IC TC9274N-016
C644	1-163-021-11	CERAMIC CHIP	0.01uF	10%	50V	IC401	8-759-835-78	IC TC9274N-015
					(US, CND)	IC501	8-759-835-78	IC TC9274N-015
C691	1-127-728-51	ELECT	2200uF	20%	25V	IC611	8-759-832-29	IC NJM4580M-(TE2)
					(US, CND)	IC612	8-759-832-29	IC NJM4580M-(TE2)
C691	1-135-686-51	ELECT	2200uF	25V		IC613	8-759-832-29	IC NJM4580M-(TE2)
				(EXCEPT US, CND)		IC614	8-759-832-29	IC NJM4580M-(TE2)
C692	1-127-728-51	ELECT	2200uF	20%	25V	IC615	8-759-832-29	IC NJM4580M-(TE2)
					(US, CND)	IC616	8-759-832-29	IC NJM4580M-(TE2)
C692	1-135-686-51	ELECT	2200uF	25V		IC617	8-759-832-29	IC NJM4580M-(TE2)
				(EXCEPT US, CND)				
C693	1-127-728-51	ELECT	2200uF	20%	25V	IC618	8-759-832-29	IC NJM4580M-(TE2)
					(US, CND)	IC619	8-759-832-29	IC NJM4580M-(TE2)
C693	1-135-686-51	ELECT	2200uF	25V		IC620	8-759-832-29	IC NJM4580M-(TE2)
				(EXCEPT US, CND)		IC621	8-759-832-29	IC NJM4580M-(TE2)
						IC641	8-759-832-29	IC NJM4580M-(TE2) (US, CND)
C694	1-136-169-00	MYLAR	0.22uF	5%	50V			
C695	1-136-169-00	MYLAR	0.22uF	5%	50V	IC642	6-702-387-01	IC CXD9725M (US, CND)
C696	1-119-803-11	ELECT	470uF	20%	25V	IC643	8-759-832-29	IC NJM4580M-(TE2) (US, CND)
					(EXCEPT US, CND)	IC691	8-759-231-53	IC TA7805S
C696	1-127-726-91	ELECT	470uF	20%	25V	IC692	8-759-238-47	IC TC74HCT7007AF(EL)
					(US, CND)			
C697	1-136-169-00	MYLAR	0.22uF	5%	50V			< JACK >
C698	1-165-319-11	CERAMIC CHIP	0.1uF	50V		J601	1-695-188-31	JACK, PIN 4P (MULTI CHANNEL INPUT 2 FRONT/SURROUND)
		< CONNECTOR >				J602	1-770-272-11	JACK, PIN 2P (MULTI CHANNEL INPUT 2 SURR BACK) (US, CND)
CNP603	1-564-320-00	PIN, CONNECTOR (3.96mm PITCH) 2P				J602	1-770-377-31	JACK, PIN 1P (MULTI CHANNEL INPUT 2 SURR BACK) (EXCEPT US, CND)
CNP604	1-784-926-11	PIN, CONNECTOR 11P				J603	1-770-157-21	JACK, PIN 2P (MULTI CHANNEL INPUT 2 CENTER/SUB WOOFER)
CNP605	1-691-767-11	PLUG (MICRO CONNECTOR) 5P				J604	1-779-599-11	JACK, PIN 6P (MULTI CHANNEL INPUT 1 FRONT/SURROUND/CENTER/SUB WOOFER)
CNP606	1-779-978-11	PIN, CONNECTOR 3P						
CNP607	1-564-320-00	PIN, CONNECTOR (3.96mm PITCH) 2P				J605	1-774-411-11	JACK, PIN 6P (PHONO IN, CD/DVD IN, MD DAT OUT)
CNP608	1-564-320-00	PIN, CONNECTOR (3.96mm PITCH) 2P				J606	1-774-411-11	JACK, PIN 6P (MD/DAT IN, TAPE OUT, TAPE IN)
CNP609	1-691-765-11	PLUG (MICRO CONNECTOR) 3P (US, CND)				J607	1-774-411-11	JACK, PIN 6P (TV/SAT AUDIO IN, DVD AUDIO IN, VIDEO2 AUDIO OUT)
CNP610	1-564-320-00	PIN, CONNECTOR (3.96mm PITCH) 2P				J608	1-774-411-11	JACK, PIN 6P (VIDEO2 AUDIO IN, VIDEO1 AUDIO IN, VIDEO1 AUDIO OUT)
CNP611	1-564-320-00	PIN, CONNECTOR (3.96mm PITCH) 2P				J609	1-770-272-11	JACK, PIN 2P (2ND ZONE OUT AUDIO VARIABLE) (US, CND) (US, CND)
					(US, CND)			
CNP612	1-784-922-11	PIN, CONNECTOR 5P (EXCEPT US, CND)						< DIODE >
CNP613	1-691-766-11	PLUG (MICRO CONNECTOR) 4P						< RESISTOR >
CNP617	1-784-038-11	CONNECTOR, BOARD TO BOARD 9P				JW1	1-216-295-00	SHORT CHIP 0 (EXCEPT US, CND)
* CNP618	1-766-600-11	CONNECTOR, BOARD TO BOARD 7P						< TRANSISTOR >
CNP619	1-770-010-11	CONNECTOR, BOARD TO BOARD 4P						
		< DIODE >						
D641	8-719-988-61	DIODE 1SS355TE-17 (US, CND)						
		< GROUND TERMINAL >						
* EPT601	1-537-738-21	TERMINAL, EARTH				Q631	8-729-230-49	TRANSISTOR 2SC2712-YG (US, CND)
		< IC >				Q632	8-729-027-24	TRANSISTOR DTA114TKA-T146 (US, CND)
						Q641	8-729-230-49	TRANSISTOR 2SC2712-YG (US, CND)
IC131	8-759-832-29	IC NJM4580M-(TE2)						
IC231	8-759-832-29	IC NJM4580M-(TE2)						

STR-DA3000ES

AUDIO

Ref. No.	Part No.	Description	Remark	Ref. No.	Part No.	Description	Remark
		< RESISTOR >					
R117	1-216-238-00	RES-CHIP	47K 2% 1/8W (US, CND)	R135	1-216-222-00	RES-CHIP	1K 2% 1/8W (US, CND)
R117	1-260-016-11	CARBON MELF	47K 2% 1/8W (EXCEPT US, CND)	R135	1-260-008-11	CARBON MELF	1K 2% 1/8W (EXCEPT US, CND)
R121	1-216-222-00	RES-CHIP	1K 2% 1/8W (US, CND)	R136	1-216-238-00	RES-CHIP	47K 2% 1/8W (US, CND)
R121	1-260-008-11	CARBON MELF	1K 2% 1/8W (EXCEPT US, CND)	R136	1-260-016-11	CARBON MELF	47K 2% 1/8W (EXCEPT US, CND)
R122	1-208-561-11	RES-CHIP	27K 2% 1/8W (US, CND)	R147	1-216-238-00	RES-CHIP	47K 2% 1/8W (US, CND)
R122	1-260-013-11	CARBON MELF	27K 2% 1/8W (EXCEPT US, CND)	R147	1-260-016-11	CARBON MELF	47K 2% 1/8W (EXCEPT US, CND)
R123	1-216-222-00	RES-CHIP	1K 2% 1/8W (US, CND)	R148	1-216-238-00	RES-CHIP	47K 2% 1/8W (US, CND)
R123	1-260-008-11	CARBON MELF	1K 2% 1/8W (EXCEPT US, CND)	R148	1-260-016-11	CARBON MELF	47K 2% 1/8W (EXCEPT US, CND)
R124	1-216-222-00	RES-CHIP	1K 2% 1/8W (US, CND)	R167	1-216-238-00	RES-CHIP	47K 2% 1/8W (US, CND)
R124	1-260-008-11	CARBON MELF	1K 2% 1/8W (EXCEPT US, CND)	R167	1-260-016-11	CARBON MELF	47K 2% 1/8W (EXCEPT US, CND)
R125	1-216-238-00	RES-CHIP	47K 2% 1/8W (US, CND)	R168	1-216-238-00	RES-CHIP	47K 2% 1/8W (US, CND)
R125	1-260-016-11	CARBON MELF	47K 2% 1/8W (EXCEPT US, CND)	R168	1-260-016-11	CARBON MELF	47K 2% 1/8W (EXCEPT US, CND)
R126	1-216-222-00	RES-CHIP	1K 2% 1/8W (US, CND)	R187	1-216-238-00	RES-CHIP	47K 2% 1/8W (US, CND)
R126	1-260-008-11	CARBON MELF	1K 2% 1/8W (EXCEPT US, CND)	R187	1-260-016-11	CARBON MELF	47K 2% 1/8W (EXCEPT US, CND)
R127	1-216-222-00	RES-CHIP	1K 2% 1/8W (US, CND)	R188	1-216-238-00	RES-CHIP	47K 2% 1/8W (US, CND)
R127	1-260-008-11	CARBON MELF	1K 2% 1/8W (EXCEPT US, CND)	R188	1-260-016-11	CARBON MELF	47K 2% 1/8W (EXCEPT US, CND)
R128	1-216-222-00	RES-CHIP	1K 2% 1/8W (US, CND)	R217	1-216-238-00	RES-CHIP	47K 2% 1/8W (US, CND)
R128	1-260-008-11	CARBON MELF	1K 2% 1/8W (EXCEPT US, CND)	R217	1-260-016-11	CARBON MELF	47K 2% 1/8W (EXCEPT US, CND)
R129	1-208-565-41	RES-CHIP	39K 2% 1/8W (US, CND)	R221	1-216-222-00	RES-CHIP	1K 2% 1/8W (US, CND)
R129	1-260-015-11	CARBON MELF	39K 2% 1/8W (EXCEPT US, CND)	R221	1-260-008-11	CARBON MELF	1K 2% 1/8W (EXCEPT US, CND)
R130	1-208-561-11	RES-CHIP	27K 2% 1/8W (US, CND)	R222	1-208-561-11	RES-CHIP	27K 2% 1/8W (US, CND)
R130	1-260-013-11	CARBON MELF	27K 2% 1/8W (EXCEPT US, CND)	R222	1-260-013-11	CARBON MELF	27K 2% 1/8W (EXCEPT US, CND)
R131	1-208-516-41	RES-CHIP	18K 2% 1/8W (US, CND)	R223	1-216-222-00	RES-CHIP	1K 2% 1/8W (US, CND)
R131	1-260-011-11	CARBON MELF	18K 2% 1/8W (EXCEPT US, CND)	R223	1-260-008-11	CARBON MELF	1K 2% 1/8W (EXCEPT US, CND)
R132	1-208-810-11	METAL CHIP	15K 0.5% 1/10W (US, CND)	R224	1-216-222-00	RES-CHIP	1K 2% 1/8W (US, CND)
R132	1-260-010-11	CARBON MELF	15K 2% 1/8W (EXCEPT US, CND)	R224	1-260-008-11	CARBON MELF	1K 2% 1/8W (EXCEPT US, CND)
R133	1-208-810-11	METAL CHIP	15K 0.5% 1/10W (US, CND)	R225	1-216-238-00	RES-CHIP	47K 2% 1/8W (US, CND)
R133	1-260-010-11	CARBON MELF	15K 2% 1/8W (EXCEPT US, CND)	R225	1-260-016-11	CARBON MELF	47K 2% 1/8W (EXCEPT US, CND)
R134	1-216-214-00	RES-CHIP	4.7K 2% 1/8W (US, CND)	R226	1-216-222-00	RES-CHIP	1K 2% 1/8W (US, CND)
R134	1-260-004-11	CARBON MELF	4.7K 2% 1/8W (EXCEPT US, CND)	R226	1-260-008-11	CARBON MELF	1K 2% 1/8W (EXCEPT US, CND)
				R227	1-216-222-00	RES-CHIP	1K 2% 1/8W (US, CND)

AUDIO

Ref. No.	Part No.	Description	Remark	Ref. No.	Part No.	Description	Remark
R227	1-260-008-11	CARBON MELF	1K 2% 1/8W (EXCEPT US, CND)	R327	1-216-295-00	SHORT CHIP	0
R228	1-216-222-00	RES-CHIP	1K 2% 1/8W (US, CND)	R328	1-216-295-00	SHORT CHIP	0
R228	1-260-008-11	CARBON MELF	1K 2% 1/8W (EXCEPT US, CND)	R329	1-216-013-00	RES-CHIP	33 5% 1/10W
R229	1-208-565-41	RES-CHIP	39K 2% 1/8W (US, CND)	R340	1-216-013-00	RES-CHIP	33 5% 1/10W
R229	1-260-015-11	CARBON MELF	39K 2% 1/8W (EXCEPT US, CND)	R341	1-216-295-00	SHORT CHIP	0
R230	1-208-561-11	RES-CHIP	27K 2% 1/8W (US, CND)	R342	1-216-295-00	SHORT CHIP	0
R230	1-260-013-11	CARBON MELF	27K 2% 1/8W (EXCEPT US, CND)	R343	1-216-295-00	SHORT CHIP	0
R231	1-208-516-41	RES-CHIP	18K 2% 1/8W (US, CND)	R344	1-216-013-00	RES-CHIP	33 5% 1/10W
R231	1-260-011-11	CARBON MELF	18K 2% 1/8W (EXCEPT US, CND)	R345	1-216-013-00	RES-CHIP	33 5% 1/10W
R232	1-208-810-11	METAL CHIP	15K 0.5% 1/10W (US, CND)	R401	1-208-782-11	METAL CHIP	1K 0.5% 1/10W (US, CND)
R232	1-260-010-11	CARBON MELF	15K 2% 1/8W (EXCEPT US, CND)	R401	1-259-995-11	CARBON MELF	1K 2% 1/8W (EXCEPT US, CND)
R233	1-208-810-11	METAL CHIP	15K 0.5% 1/10W (US, CND)	R402	1-208-782-11	METAL CHIP	1K 0.5% 1/10W (US, CND)
R233	1-260-010-11	CARBON MELF	15K 2% 1/8W (EXCEPT US, CND)	R402	1-259-995-11	CARBON MELF	1K 2% 1/8W (EXCEPT US, CND)
R234	1-216-214-00	RES-CHIP	4.7K 2% 1/8W (US, CND)	R403	1-208-782-11	METAL CHIP	1K 0.5% 1/10W (US, CND)
R234	1-260-004-11	CARBON MELF	4.7K 2% 1/8W (EXCEPT US, CND)	R403	1-259-995-11	CARBON MELF	1K 2% 1/8W (EXCEPT US, CND)
R235	1-216-222-00	RES-CHIP	1K 2% 1/8W (US, CND)	R404	1-208-782-11	METAL CHIP	1K 0.5% 1/10W (US, CND)
R235	1-260-008-11	CARBON MELF	1K 2% 1/8W (EXCEPT US, CND)	R404	1-259-995-11	CARBON MELF	1K 2% 1/8W (EXCEPT US, CND)
R236	1-216-238-00	RES-CHIP	47K 2% 1/8W (US, CND)	R405	1-208-782-11	METAL CHIP	1K 0.5% 1/10W (US, CND)
R236	1-260-016-11	CARBON MELF	47K 2% 1/8W (EXCEPT US, CND)	R405	1-259-995-11	CARBON MELF	1K 2% 1/8W (EXCEPT US, CND)
R247	1-216-238-00	RES-CHIP	47K 2% 1/8W (US, CND)	R406	1-208-782-11	METAL CHIP	1K 0.5% 1/10W (US, CND)
R247	1-260-016-11	CARBON MELF	47K 2% 1/8W (EXCEPT US, CND)	R406	1-259-995-11	CARBON MELF	1K 2% 1/8W (EXCEPT US, CND)
R248	1-216-238-00	RES-CHIP	47K 2% 1/8W (US, CND)	R407	1-208-782-11	METAL CHIP	1K 0.5% 1/10W (US, CND)
R248	1-260-016-11	CARBON MELF	47K 2% 1/8W (EXCEPT US, CND)	R407	1-259-995-11	CARBON MELF	1K 2% 1/8W (EXCEPT US, CND)
R267	1-216-238-00	RES-CHIP	47K 2% 1/8W (US, CND)	R411	1-208-782-11	METAL CHIP	1K 0.5% 1/10W (US, CND)
R267	1-260-016-11	CARBON MELF	47K 2% 1/8W (EXCEPT US, CND)	R411	1-259-995-11	CARBON MELF	1K 2% 1/8W (EXCEPT US, CND)
R268	1-216-238-00	RES-CHIP	47K 2% 1/8W (US, CND)	R412	1-208-782-11	METAL CHIP	1K 0.5% 1/10W (US, CND)
R268	1-260-016-11	CARBON MELF	47K 2% 1/8W (EXCEPT US, CND)	R412	1-259-995-11	CARBON MELF	1K 2% 1/8W (EXCEPT US, CND)
R287	1-216-238-00	RES-CHIP	47K 2% 1/8W (US, CND)	R413	1-208-782-11	METAL CHIP	1K 0.5% 1/10W (US, CND)
R287	1-260-016-11	CARBON MELF	47K 2% 1/8W (EXCEPT US, CND)	R413	1-259-995-11	CARBON MELF	1K 2% 1/8W (EXCEPT US, CND)
R288	1-216-238-00	RES-CHIP	47K 2% 1/8W (US, CND)	R414	1-208-782-11	METAL CHIP	1K 0.5% 1/10W (US, CND)
R288	1-260-016-11	CARBON MELF	47K 2% 1/8W (EXCEPT US, CND)	R414	1-259-995-11	CARBON MELF	1K 2% 1/8W (EXCEPT US, CND)
R326	1-216-295-00	SHORT CHIP	0	R415	1-208-782-11	METAL CHIP	1K 0.5% 1/10W (US, CND)
				R415	1-259-995-11	CARBON MELF	1K 2% 1/8W (EXCEPT US, CND)
				R416	1-208-782-11	METAL CHIP	1K 0.5% 1/10W (US, CND)
				R416	1-259-995-11	CARBON MELF	1K 2% 1/8W (EXCEPT US, CND)

STR-DA3000ES

AUDIO

Ref. No.	Part No.	Description	Remark	Ref. No.	Part No.	Description	Remark
R417	1-208-782-11	METAL CHIP	1K 0.5% 1/10W (US, CND)	R442	1-208-437-41	RES-CHIP	1K 2% 1/10W (US, CND)
R417	1-259-995-11	CARBON MELF	1K 2% 1/8W (EXCEPT US, CND)	R443	1-216-699-11	METAL CHIP	100K 0.5% 1/10W (US, CND)
R418	1-216-206-00	RES-CHIP	2.2K 2% 1/8W (US, CND)	R444	1-208-826-11	METAL CHIP	68K 0.5% 1/10W (US, CND)
R418	1-259-999-11	CARBON MELF	2.2K 2% 1/8W (EXCEPT US, CND)	R445	1-216-627-11	METAL CHIP	100 0.5% 1/10W (US, CND)
R419	1-208-782-11	METAL CHIP	1K 0.5% 1/10W (US, CND)	R446	1-208-453-41	RES-CHIP	4.7K 2% 1/10W (US, CND)
R419	1-259-995-11	CARBON MELF	1K 2% 1/8W (EXCEPT US, CND)	R447	1-208-437-41	RES-CHIP	1K 2% 1/10W (US, CND)
R420	1-216-206-00	RES-CHIP	2.2K 2% 1/8W (US, CND)	R461	1-216-222-00	RES-CHIP	1K 2% 1/8W (US, CND)
R420	1-259-999-11	CARBON MELF	2.2K 2% 1/8W (EXCEPT US, CND)	R461	1-260-008-11	CARBON MELF	1K 2% 1/8W (EXCEPT US, CND)
R421	1-208-782-11	METAL CHIP	1K 0.5% 1/10W (US, CND)	R462	1-216-222-00	RES-CHIP	1K 2% 1/8W (US, CND)
R421	1-259-995-11	CARBON MELF	1K 2% 1/8W (EXCEPT US, CND)	R462	1-260-008-11	CARBON MELF	1K 2% 1/8W (EXCEPT US, CND)
R422	1-216-238-00	RES-CHIP	47K 2% 1/8W (US, CND)	R463	1-216-222-00	RES-CHIP	1K 2% 1/8W (US, CND)
R422	1-260-016-11	CARBON MELF	47K 2% 1/8W (EXCEPT US, CND)	R463	1-260-008-11	CARBON MELF	1K 2% 1/8W (EXCEPT US, CND)
R423	1-216-238-00	RES-CHIP	47K 2% 1/8W (US, CND)	R464	1-216-222-00	RES-CHIP	1K 2% 1/8W (US, CND)
R423	1-260-016-11	CARBON MELF	47K 2% 1/8W (EXCEPT US, CND)	R464	1-260-008-11	CARBON MELF	1K 2% 1/8W (EXCEPT US, CND)
R424	1-216-238-00	RES-CHIP	47K 2% 1/8W (US, CND)	R485	1-216-013-00	RES-CHIP	33 5% 1/10W
R424	1-260-016-11	CARBON MELF	47K 2% 1/8W (EXCEPT US, CND)	R486	1-216-013-00	RES-CHIP	33 5% 1/10W
R425	1-216-238-00	RES-CHIP	47K 2% 1/8W (US, CND)	R487	1-216-295-00	SHORT CHIP	0
R425	1-260-016-11	CARBON MELF	47K 2% 1/8W (EXCEPT US, CND)	R488	1-216-295-00	SHORT CHIP	0
R426	1-216-238-00	RES-CHIP	47K 2% 1/8W (US, CND)	R489	1-216-295-00	SHORT CHIP	0
R426	1-260-016-11	CARBON MELF	47K 2% 1/8W (EXCEPT US, CND)	R491	1-208-782-11	METAL CHIP	1K 0.5% 1/10W (US, CND)
R427	1-216-238-00	RES-CHIP	47K 2% 1/8W (US, CND)	R491	1-259-995-11	CARBON MELF	1K 2% 1/8W (EXCEPT US, CND)
R427	1-260-016-11	CARBON MELF	47K 2% 1/8W (EXCEPT US, CND)	R492	1-208-782-11	METAL CHIP	1K 0.5% 1/10W (US, CND)
R428	1-216-238-00	RES-CHIP	47K 2% 1/8W (US, CND)	R492	1-259-995-11	CARBON MELF	1K 2% 1/8W (EXCEPT US, CND)
R428	1-260-016-11	CARBON MELF	47K 2% 1/8W (EXCEPT US, CND)	R493	1-208-782-11	METAL CHIP	1K 0.5% 1/10W (US, CND)
R431	1-208-445-41	RES-CHIP	2.2K 2% 1/10W (EXCEPT US, CND)	R493	1-259-995-11	CARBON MELF	1K 2% 1/8W (EXCEPT US, CND)
R431	1-216-295-00	SHORT CHIP	0 (US, CND)	R494	1-208-782-11	METAL CHIP	1K 0.5% 1/10W (US, CND)
R432	1-216-699-11	METAL CHIP	100K 0.5% 1/10W	R494	1-259-995-11	CARBON MELF	1K 2% 1/8W (EXCEPT US, CND)
R433	1-216-699-11	METAL CHIP	100K 0.5% 1/10W	R501	1-208-782-11	METAL CHIP	1K 0.5% 1/10W (US, CND)
R434	1-216-633-11	METAL CHIP	180 0.5% 1/10W	R501	1-259-995-11	CARBON MELF	1K 2% 1/8W (EXCEPT US, CND)
R435	1-216-673-11	METAL CHIP	8.2K 0.5% 1/10W	R502	1-208-782-11	METAL CHIP	1K 0.5% 1/10W (US, CND)
R436	1-216-699-11	METAL CHIP	100K 0.5% 1/10W	R502	1-259-995-11	CARBON MELF	1K 2% 1/8W (EXCEPT US, CND)
R437	1-216-627-11	METAL CHIP	100 0.5% 1/10W	R503	1-208-782-11	METAL CHIP	1K 0.5% 1/10W (US, CND)
R438	1-216-699-11	METAL CHIP	100K 0.5% 1/10W	R503	1-259-995-11	CARBON MELF	1K 2% 1/8W (EXCEPT US, CND)
R439	1-208-774-11	METAL CHIP	470 0.5% 1/10W				
R441	1-208-526-41	RES-CHIP	47K 2% 1/10W (US, CND)				

AUDIO

Ref. No.	Part No.	Description	Remark	Ref. No.	Part No.	Description	Remark
R504	1-208-782-11	METAL CHIP	1K 0.5% 1/10W (US, CND)	R522	1-260-016-11	CARBON MELF	47K 2% 1/8W (EXCEPT US, CND)
R504	1-259-995-11	CARBON MELF	1K 2% 1/8W (EXCEPT US, CND)	R523	1-216-238-00	RES-CHIP	47K 2% 1/8W (US, CND)
R505	1-208-782-11	METAL CHIP	1K 0.5% 1/10W (US, CND)	R523	1-260-016-11	CARBON MELF	47K 2% 1/8W (EXCEPT US, CND)
R505	1-259-995-11	CARBON MELF	1K 2% 1/8W (EXCEPT US, CND)	R524	1-216-238-00	RES-CHIP	47K 2% 1/8W (US, CND)
R506	1-208-782-11	METAL CHIP	1K 0.5% 1/10W (US, CND)	R524	1-260-016-11	CARBON MELF	47K 2% 1/8W (EXCEPT US, CND)
R506	1-259-995-11	CARBON MELF	1K 2% 1/8W (EXCEPT US, CND)	R525	1-216-238-00	RES-CHIP	47K 2% 1/8W (US, CND)
R507	1-208-782-11	METAL CHIP	1K 0.5% 1/10W (US, CND)	R525	1-260-016-11	CARBON MELF	47K 2% 1/8W (EXCEPT US, CND)
R507	1-259-995-11	CARBON MELF	1K 2% 1/8W (EXCEPT US, CND)	R526	1-216-238-00	RES-CHIP	47K 2% 1/8W (US, CND)
R511	1-208-782-11	METAL CHIP	1K 0.5% 1/10W (US, CND)	R526	1-260-016-11	CARBON MELF	47K 2% 1/8W (EXCEPT US, CND)
R511	1-259-995-11	CARBON MELF	1K 2% 1/8W (EXCEPT US, CND)	R527	1-216-238-00	RES-CHIP	47K 2% 1/8W (US, CND)
R512	1-208-782-11	METAL CHIP	1K 0.5% 1/10W (US, CND)	R527	1-260-016-11	CARBON MELF	47K 2% 1/8W (EXCEPT US, CND)
R512	1-259-995-11	CARBON MELF	1K 2% 1/8W (EXCEPT US, CND)	R528	1-216-238-00	RES-CHIP	47K 2% 1/8W (US, CND)
R513	1-208-782-11	METAL CHIP	1K 0.5% 1/10W (US, CND)	R528	1-260-016-11	CARBON MELF	47K 2% 1/8W (EXCEPT US, CND)
R513	1-259-995-11	CARBON MELF	1K 2% 1/8W (EXCEPT US, CND)	R531	1-208-445-41	RES-CHIP	2.2K 2% 1/10W (EXCEPT US, CND)
R514	1-208-782-11	METAL CHIP	1K 0.5% 1/10W (US, CND)	R531	1-216-295-00	SHORT CHIP	0 (US, CND)
R514	1-259-995-11	CARBON MELF	1K 2% 1/8W (EXCEPT US, CND)	R532	1-216-699-11	METAL CHIP	100K 0.5% 1/10W
R515	1-208-782-11	METAL CHIP	1K 0.5% 1/10W (US, CND)	R533	1-216-699-11	METAL CHIP	100K 0.5% 1/10W
R515	1-259-995-11	CARBON MELF	1K 2% 1/8W (EXCEPT US, CND)	R534	1-216-633-11	METAL CHIP	180 0.5% 1/10W
R516	1-208-782-11	METAL CHIP	1K 0.5% 1/10W (US, CND)	R535	1-216-673-11	METAL CHIP	8.2K 0.5% 1/10W
R516	1-259-995-11	CARBON MELF	1K 2% 1/8W (EXCEPT US, CND)	R536	1-216-699-11	METAL CHIP	100K 0.5% 1/10W
R517	1-208-782-11	METAL CHIP	1K 0.5% 1/10W (US, CND)	R537	1-216-627-11	METAL CHIP	100 0.5% 1/10W
R517	1-259-995-11	CARBON MELF	1K 2% 1/8W (EXCEPT US, CND)	R538	1-216-699-11	METAL CHIP	100K 0.5% 1/10W
R518	1-216-206-00	RES-CHIP	2.2K 2% 1/8W (US, CND)	R539	1-208-774-11	METAL CHIP	470 0.5% 1/10W
R518	1-259-999-11	CARBON MELF	2.2K 2% 1/8W (EXCEPT US, CND)	R541	1-208-526-41	RES-CHIP	47K 2% 1/10W (US, CND)
R519	1-208-782-11	METAL CHIP	1K 0.5% 1/10W (US, CND)	R542	1-208-437-41	RES-CHIP	1K 2% 1/10W (US, CND)
R519	1-259-995-11	CARBON MELF	1K 2% 1/8W (EXCEPT US, CND)	R543	1-216-699-11	METAL CHIP	100K 0.5% 1/10W (US, CND)
R520	1-216-206-00	RES-CHIP	2.2K 2% 1/8W (US, CND)	R544	1-208-826-11	METAL CHIP	68K 0.5% 1/10W (US, CND)
R520	1-259-999-11	CARBON MELF	2.2K 2% 1/8W (EXCEPT US, CND)	R545	1-216-627-11	METAL CHIP	100 0.5% 1/10W (US, CND)
R521	1-208-782-11	METAL CHIP	1K 0.5% 1/10W (US, CND)	R546	1-208-453-41	RES-CHIP	4.7K 2% 1/10W (US, CND)
R521	1-259-995-11	CARBON MELF	1K 2% 1/8W (EXCEPT US, CND)	R547	1-208-437-41	RES-CHIP	1K 2% 1/10W (US, CND)
R522	1-216-238-00	RES-CHIP	47K 2% 1/8W (US, CND)	R561	1-216-222-00	RES-CHIP	1K 2% 1/8W (US, CND)
				R561	1-260-008-11	CARBON MELF	1K 2% 1/8W (EXCEPT US, CND)
				R562	1-216-222-00	RES-CHIP	1K 2% 1/8W (US, CND)
				R562	1-260-008-11	CARBON MELF	1K 2% 1/8W (EXCEPT US, CND)
				R563	1-216-222-00	RES-CHIP	1K 2% 1/8W (US, CND)

STR-DA3000ES

AUDIO	CIS
--------------	------------

Ref. No.	Part No.	Description	Remark
R563	1-260-008-11	CARBON MELF 1K	2% 1/8W (EXCEPT US, CND)
R564	1-216-222-00	RES-CHIP 1K	2% 1/8W (US, CND)
R564	1-260-008-11	CARBON MELF 1K	2% 1/8W (EXCEPT US, CND)
R585	1-216-013-00	RES-CHIP 33	5% 1/10W
R586	1-216-013-00	RES-CHIP 33	5% 1/10W
R587	1-216-295-00	SHORT CHIP 0	
R588	1-216-295-00	SHORT CHIP 0	
R589	1-216-295-00	SHORT CHIP 0	
R591	1-208-782-11	METAL CHIP 1K	0.5% 1/10W (US, CND)
R591	1-259-995-11	CARBON MELF 1K	2% 1/8W (EXCEPT US, CND)
R592	1-208-782-11	METAL CHIP 1K	0.5% 1/10W (US, CND)
R592	1-259-995-11	CARBON MELF 1K	2% 1/8W (EXCEPT US, CND)
R593	1-208-782-11	METAL CHIP 1K	0.5% 1/10W (US, CND)
R593	1-259-995-11	CARBON MELF 1K	2% 1/8W (EXCEPT US, CND)
R594	1-208-782-11	METAL CHIP 1K	0.5% 1/10W (US, CND)
R594	1-259-995-11	CARBON MELF 1K	2% 1/8W (EXCEPT US, CND)
R631	1-216-001-00	RES-CHIP 10	5% 1/10W (US, CND)
R632	1-216-033-00	RES-CHIP 220	5% 1/10W (US, CND)
R633	1-216-049-11	RES-CHIP 1K	5% 1/10W (US, CND)
R642	1-216-013-00	RES-CHIP 33	5% 1/10W (US, CND)
R643	1-216-013-00	RES-CHIP 33	5% 1/10W (US, CND)
R644	1-216-065-00	RES-CHIP 4.7K	5% 1/10W (US, CND)
R645	1-216-073-00	RES-CHIP 1K	5% 1/10W (US, CND)
△ R646	1-249-393-11	CARBON 10	5% 1/4W F (US, CND)
R647	1-216-295-00	SHORT CHIP 0	(US, CND)
R648	1-216-295-00	SHORT CHIP 0	(US, CND)
R649	1-216-295-00	SHORT CHIP 0	(US, CND)
R681	1-260-008-11	CARBON MELF 1K	2% 1/8W
R682	1-260-008-11	CARBON MELF 1K	2% 1/8W
< RELAY >			
RY641	1-755-486-11	RELAY (US, CND)	

	A-4734-119-A	CIS BOARD, COMPLETE (US, CND)	*****
< CAPACITOR/SHORT >			
C801	1-126-947-11	ELECT 47uF	20% 35V
C802	1-165-319-11	CERAMIC CHIP 0.1uF	50V
C803	1-126-961-11	ELECT 2.2uF	20% 50V
C804	1-126-947-11	ELECT 47uF	20% 35V

Ref. No.	Part No.	Description	Remark
C805	1-165-319-11	CERAMIC CHIP 0.1uF	50V
C831	1-126-960-11	ELECT 1uF	20% 50V
C841	1-126-960-11	ELECT 1uF	20% 50V
C851	1-126-767-11	ELECT 1000uF	20% 16V
C852	1-165-319-11	CERAMIC CHIP 0.1uF	50V
C861	1-216-295-00	SHORT CHIP 0	
C862	1-163-133-00	CERAMIC CHIP 470PF	5% 50V
C863	1-163-133-00	CERAMIC CHIP 470PF	5% 50V
C864	1-126-963-11	ELECT 4.7uF	20% 50V
C865	1-165-319-11	CERAMIC CHIP 0.1uF	50V
C866	1-216-295-00	SHORT CHIP 0	
C867	1-216-295-00	SHORT CHIP 0	
C868	1-216-295-00	SHORT CHIP 0	
< CONNECTOR >			
CN801	1-568-826-11	CONNECTOR, FFC 7P	
CN851	1-564-505-11	PLUG, CONNECTOR 2P	
< DIODE >			
D801	8-719-988-61	DIODE 1SS355TE-17	
D802	8-719-075-86	LED SID307BRTP19 (REMOTE CONTROL TRANSCEIVER)	
D803	8-719-988-61	DIODE 1SS355TE-17	
< IC >			
IC801	8-759-827-69	IC NJL63H400A-1	
IC802	8-759-564-49	IC TC7W53FU (TE12R)	
IC861	8-759-470-63	IC NJM2145M-TE2	
< JACK >			
J801	1-563-330-11	JACK (IR REMOTE, IR IN)	
J802	1-563-330-11	JACK (IR REMOTE, IR OUT1)	
J803	1-563-330-11	JACK (IR REMOTE, IR OUT2)	
J831	1-563-330-11	JACK (TRIGGER OUT, 2ND ZONE)	
J841	1-563-330-11	JACK (TRIGGER OUT, MAIN)	
J861	1-563-330-11	JACK (CONTROL S OUT)	
J862	1-563-330-11	JACK (CONTROL S IN)	
< SHORT >			
JW861	1-216-295-00	SHORT CHIP 0	
< TRANSISTOR >			
Q831	8-729-140-93	TRANSISTOR 2SB733-34	
Q832	8-729-027-43	TRANSISTOR DTC114EKA-T146	
Q841	8-729-140-93	TRANSISTOR 2SB733-34	
Q842	8-729-027-43	TRANSISTOR DTC114EKA-T146	
< RESISTOR/THERMISTOR >			
R801	1-216-073-00	RES-CHIP 1K	5% 1/10W
R802	1-216-001-00	RES-CHIP 10	5% 1/10W
R803	1-216-097-11	RES-CHIP 100K	5% 1/10W
R804	1-216-073-00	RES-CHIP 1K	5% 1/10W
R805	1-216-097-11	RES-CHIP 100K	5% 1/10W
R806	1-216-025-11	RES-CHIP 100	5% 1/10W
R807	1-216-025-11	RES-CHIP 100	5% 1/10W
R825	1-216-025-11	RES-CHIP 100	5% 1/10W
R831	1-801-726-11	THERMISTOR, POSITIVE	

The components identified by mark △ or dotted line with mark △ are critical for safety. Replace only with part number specified.	Les composants identifiés par une marque △ sont critiques pour la sécurité. Ne les remplacer que par une pièce portant le numéro spécifié.
--	--

CIS

D-AMP

Ref. No.	Part No.	Description	Remark	Ref. No.	Part No.	Description	Remark
R832	1-216-073-00	RES-CHIP 1K 5%	1/10W	C1337	1-100-156-91	CERAMIC CHIP 680PF 5%	100V (US, CND)
R833	1-216-057-00	RES-CHIP 2.2K 5%	1/10W	C1339	1-100-188-11	MYLAR 0.75uF 5%	250V
R834	1-216-073-00	RES-CHIP 1K 5%	1/10W	C1341	1-100-156-91	CERAMIC CHIP 680PF 5%	100V
R841	1-801-726-11	THERMISTOR, POSITIVE		C1342	1-100-156-91	CERAMIC CHIP 680PF 5%	100V
R842	1-216-073-00	RES-CHIP 1K 5%	1/10W	C1343	1-100-156-91	CERAMIC CHIP 680PF 5%	100V
R843	1-216-057-00	RES-CHIP 2.2K 5%	1/10W	C1344	1-100-156-91	CERAMIC CHIP 680PF 5%	100V
R844	1-216-073-00	RES-CHIP 1K 5%	1/10W	C1345	1-100-156-91	CERAMIC CHIP 680PF 5%	100V
R845	1-216-025-11	RES-CHIP 100 5%	1/10W	C1346	1-100-156-91	CERAMIC CHIP 680PF 5%	100V
R861	1-216-049-11	RES-CHIP 1K 5%	1/10W	C1347	1-100-156-91	CERAMIC CHIP 680PF 5%	100V
R862	1-216-049-11	RES-CHIP 1K 5%	1/10W				(US, CND)
R863	1-216-049-11	RES-CHIP 1K 5%	1/10W	C1349	1-100-188-11	MYLAR 0.75uF 5%	250V
R864	1-216-049-11	RES-CHIP 1K 5%	1/10W	C1351	1-100-156-91	CERAMIC CHIP 680PF 5%	100V
R865	1-216-049-11	RES-CHIP 1K 5%	1/10W				

	A-4734-137-A	D-AMP BOARD, COMPLETE (US, CND)					
	A-4734-151-A	D-AMP BOARD, COMPLETE (TW, KR)					
	A-4734-168-A	D-AMP BOARD, COMPLETE (AEP)					

	1-400-584-11	BEAD, FERRITE					
*	3-309-144-21	HEAT SINK					
	4-857-425-00	BUSHING, 03P INSULATING					
*	4-880-403-11	HEAT SINK					
	7-685-646-79	SCREW +BVTP 3X8 TYPE2 IT-3					
< CAPACITOR/SHORT >							
C1301	1-100-187-11	MYLAR 0.27uF 5%	250V				
C1302	1-100-187-11	MYLAR 0.27uF 5%	250V				
C1303	1-100-187-11	MYLAR 0.27uF 5%	250V				
C1304	1-100-187-11	MYLAR 0.27uF 5%	250V				
C1305	1-100-187-11	MYLAR 0.27uF 5%	250V				
C1306	1-100-187-11	MYLAR 0.27uF 5%	250V				
C1307	1-100-187-11	MYLAR 0.27uF 5%	250V				(US, CND)
C1311	1-100-187-11	MYLAR 0.27uF 5%	250V				
C1312	1-100-187-11	MYLAR 0.27uF 5%	250V				
C1313	1-100-187-11	MYLAR 0.27uF 5%	250V				
C1314	1-100-187-11	MYLAR 0.27uF 5%	250V				
C1315	1-100-187-11	MYLAR 0.27uF 5%	250V				
C1316	1-100-187-11	MYLAR 0.27uF 5%	250V				
C1317	1-100-187-11	MYLAR 0.27uF 5%	250V				(US, CND)
C1319	1-100-188-11	MYLAR 0.75uF 5%	250V				
C1321	1-100-156-91	CERAMIC CHIP 680PF 5%	100V				
C1322	1-100-156-91	CERAMIC CHIP 680PF 5%	100V				
C1323	1-100-156-91	CERAMIC CHIP 680PF 5%	100V				
C1324	1-100-156-91	CERAMIC CHIP 680PF 5%	100V				
C1325	1-100-156-91	CERAMIC CHIP 680PF 5%	100V				(US, CND)
C1326	1-100-156-91	CERAMIC CHIP 680PF 5%	100V				
C1327	1-100-156-91	CERAMIC CHIP 680PF 5%	100V				(US, CND)
C1329	1-100-188-11	MYLAR 0.75uF 5%	250V				
C1331	1-100-156-91	CERAMIC CHIP 680PF 5%	100V				
C1332	1-100-156-91	CERAMIC CHIP 680PF 5%	100V				
C1333	1-100-156-91	CERAMIC CHIP 680PF 5%	100V				
C1334	1-100-156-91	CERAMIC CHIP 680PF 5%	100V				(US, CND)
C1335	1-100-156-91	CERAMIC CHIP 680PF 5%	100V				
C1336	1-100-156-91	CERAMIC CHIP 680PF 5%	100V				(AEP)
C1337	1-100-156-91	CERAMIC CHIP 680PF 5%	100V				
C1339	1-100-188-11	MYLAR 0.75uF 5%	250V				
C1341	1-100-156-91	CERAMIC CHIP 680PF 5%	100V				
C1342	1-100-156-91	CERAMIC CHIP 680PF 5%	100V				
C1343	1-100-156-91	CERAMIC CHIP 680PF 5%	100V				
C1344	1-100-156-91	CERAMIC CHIP 680PF 5%	100V				
C1345	1-100-156-91	CERAMIC CHIP 680PF 5%	100V				
C1346	1-100-156-91	CERAMIC CHIP 680PF 5%	100V				
C1347	1-100-156-91	CERAMIC CHIP 680PF 5%	100V				
C1349	1-100-188-11	MYLAR 0.75uF 5%	250V				
C1351	1-100-156-91	CERAMIC CHIP 680PF 5%	100V				
C1352	1-100-156-91	CERAMIC CHIP 680PF 5%	100V				
C1353	1-100-156-91	CERAMIC CHIP 680PF 5%	100V				
C1354	1-100-156-91	CERAMIC CHIP 680PF 5%	100V				
C1355	1-100-156-91	CERAMIC CHIP 680PF 5%	100V				
C1356	1-100-156-91	CERAMIC CHIP 680PF 5%	100V				
C1357	1-100-156-91	CERAMIC CHIP 680PF 5%	100V				(US, CND)
C1359	1-100-188-11	MYLAR 0.75uF 5%	250V				
C1361	1-100-156-91	CERAMIC CHIP 680PF 5%	100V				
C1362	1-100-156-91	CERAMIC CHIP 680PF 5%	100V				
C1363	1-100-156-91	CERAMIC CHIP 680PF 5%	100V				
C1364	1-100-156-91	CERAMIC CHIP 680PF 5%	100V				
C1365	1-100-156-91	CERAMIC CHIP 680PF 5%	100V				
C1366	1-100-156-91	CERAMIC CHIP 680PF 5%	100V				
C1367	1-100-156-91	CERAMIC CHIP 680PF 5%	100V				(US, CND)
C1369	1-100-188-11	MYLAR 0.75uF 5%	250V				
C1371	1-100-156-91	CERAMIC CHIP 680PF 5%	100V				
C1372	1-100-156-91	CERAMIC CHIP 680PF 5%	100V				
C1373	1-100-156-91	CERAMIC CHIP 680PF 5%	100V				
C1374	1-100-156-91	CERAMIC CHIP 680PF 5%	100V				
C1375	1-100-156-91	CERAMIC CHIP 680PF 5%	100V				
C1376	1-100-156-91	CERAMIC CHIP 680PF 5%	100V				
C1377	1-100-156-91	CERAMIC CHIP 680PF 5%	100V				(US, CND)
C1379	1-100-188-11	MYLAR 0.75uF 5%	250V				(US, CND)
C1381	1-100-156-91	CERAMIC CHIP 680PF 5%	100V				
C1382	1-100-156-91	CERAMIC CHIP 680PF 5%	100V				
C1383	1-100-156-91	CERAMIC CHIP 680PF 5%	100V				
C1384	1-100-156-91	CERAMIC CHIP 680PF 5%	100V				
C1385	1-100-156-91	CERAMIC CHIP 680PF 5%	100V				
C1386	1-100-156-91	CERAMIC CHIP 680PF 5%	100V				
C1387	1-100-156-91	CERAMIC CHIP 680PF 5%	100V				(US, CND)
C1391	1-100-156-91	CERAMIC CHIP 680PF 5%	100V				
C1392	1-100-156-91	CERAMIC CHIP 680PF 5%	100V				
C1393	1-100-156-91	CERAMIC CHIP 680PF 5%	100V				
C1394	1-100-156-91	CERAMIC CHIP 680PF 5%	100V				
C1395	1-100-156-91	CERAMIC CHIP 680PF 5%	100V				
C1396	1-100-156-91	CERAMIC CHIP 680PF 5%	100V				
C1397	1-100-156-91	CERAMIC CHIP 680PF 5%	100V				(US, CND)
C1400	1-119-824-31	ELECT 10uF 20%	50V (AEP)				

STR-DA3000ES

D-AMP

Ref. No.	Part No.	Description	Remark	Ref. No.	Part No.	Description	Remark
C1400	1-119-824-11	ELECT	10uF 20% 50V (US, CND)	C1470	1-100-398-21	ELECT	270uF 20% 10V
C1400	1-135-743-11	ELECT	10uF 50V (TW, KR)	C1471	1-162-908-11	CERAMIC CHIP	3PF 0.25PF 50V
C1401	1-100-398-21	ELECT	270uF 20% 10V	C1472	1-115-416-11	CERAMIC CHIP	0.001uF 5% 25V
C1402	1-100-398-21	ELECT	270uF 20% 10V	C1473	1-162-915-11	CERAMIC CHIP	10PF 0.5PF 50V
C1403	1-100-398-21	ELECT	270uF 20% 10V	C1476	1-164-156-11	CERAMIC CHIP	0.1uF 25V
C1404	1-100-398-21	ELECT	270uF 20% 10V	C1480	1-119-799-11	ELECT	47uF 20% 25V (EXCEPT AEP)
C1406	1-162-974-11	CERAMIC CHIP	0.01uF 50V	C1480	1-135-680-91	ELECT	47uF 25V (AEP)
C1407	1-162-974-11	CERAMIC CHIP	0.01uF 50V	C1481	1-162-960-11	CERAMIC CHIP	220PF 10% 50V
C1408	1-162-974-11	CERAMIC CHIP	0.01uF 50V	C1482	1-162-960-11	CERAMIC CHIP	220PF 10% 50V
C1409	1-162-974-11	CERAMIC CHIP	0.01uF 50V	C1483	1-117-720-11	CERAMIC CHIP	4.7uF 10V
C1410	1-164-156-11	CERAMIC CHIP	0.1uF 25V	C1484	1-117-720-11	CERAMIC CHIP	4.7uF 10V
C1411	1-164-156-11	CERAMIC CHIP	0.1uF 25V	C1485	1-117-720-11	CERAMIC CHIP	4.7uF 10V
C1412	1-164-156-11	CERAMIC CHIP	0.1uF 25V	C1486	1-117-720-11	CERAMIC CHIP	4.7uF 10V
C1413	1-164-156-11	CERAMIC CHIP	0.1uF 25V	C1487	1-162-927-11	CERAMIC CHIP	100PF 5% 50V
C1414	1-164-156-11	CERAMIC CHIP	0.1uF 25V	C1488	1-162-927-11	CERAMIC CHIP	100PF 5% 50V
C1416	1-164-156-11	CERAMIC CHIP	0.1uF 25V	C1489	1-128-832-11	ELECT	220uF 20% 10V (EXCEPT AEP)
C1417	1-164-156-11	CERAMIC CHIP	0.1uF 25V	C1489	1-135-667-91	ELECT	220uF 10V (AEP)
C1418	1-164-156-11	CERAMIC CHIP	0.1uF 25V	C1490	1-164-156-11	CERAMIC CHIP	0.1uF 25V
C1419	1-164-156-11	CERAMIC CHIP	0.1uF 25V	C1491	1-162-927-11	CERAMIC CHIP	100PF 5% 50V
C1421	1-162-974-11	CERAMIC CHIP	0.01uF 50V	C1492	1-162-927-11	CERAMIC CHIP	100PF 5% 50V
C1422	1-162-974-11	CERAMIC CHIP	0.01uF 50V	C1493	1-162-964-11	CERAMIC CHIP	0.001uF 10% 50V
C1423	1-162-974-11	CERAMIC CHIP	0.01uF 50V	C1494	1-162-964-11	CERAMIC CHIP	0.001uF 10% 50V
C1424	1-162-974-11	CERAMIC CHIP	0.01uF 50V	C1495	1-162-927-11	CERAMIC CHIP	100PF 5% 50V
C1426	1-162-962-11	CERAMIC CHIP	470PF 10% 50V	C1496	1-162-927-11	CERAMIC CHIP	100PF 5% 50V
C1427	1-162-962-11	CERAMIC CHIP	470PF 10% 50V	C1497	1-128-832-11	ELECT	220uF 20% 10V (EXCEPT AEP)
C1428	1-162-962-11	CERAMIC CHIP	470PF 10% 50V	C1497	1-135-667-91	ELECT	220uF 10V (AEP)
C1429	1-162-962-11	CERAMIC CHIP	470PF 10% 50V	C1498	1-128-832-11	ELECT	220uF 20% 10V (EXCEPT AEP)
C1431	1-100-398-21	ELECT	270uF 20% 10V	C1498	1-135-667-91	ELECT	220uF 10V (AEP)
C1436	1-164-156-11	CERAMIC CHIP	0.1uF 25V	C1499	1-164-156-11	CERAMIC CHIP	0.1uF 25V
C1437	1-164-156-11	CERAMIC CHIP	0.1uF 25V	C1501	1-162-968-11	CERAMIC CHIP	0.0047uF 10% 50V
C1438	1-164-156-11	CERAMIC CHIP	0.1uF 25V	C1502	1-162-968-11	CERAMIC CHIP	0.0047uF 10% 50V
C1439	1-164-156-11	CERAMIC CHIP	0.1uF 25V	C1511	1-162-924-11	CERAMIC CHIP	56PF 5% 50V
C1441	1-164-156-11	CERAMIC CHIP	0.1uF 25V	C1512	1-162-924-11	CERAMIC CHIP	56PF 5% 50V
C1442	1-164-156-11	CERAMIC CHIP	0.1uF 25V	C1513	1-162-924-11	CERAMIC CHIP	56PF 5% 50V
C1443	1-164-156-11	CERAMIC CHIP	0.1uF 25V	C1514	1-162-924-11	CERAMIC CHIP	56PF 5% 50V
C1444	1-164-156-11	CERAMIC CHIP	0.1uF 25V	C1515	1-162-924-11	CERAMIC CHIP	56PF 5% 50V
C1446	1-100-398-21	ELECT	270uF 20% 10V	C1516	1-162-924-11	CERAMIC CHIP	56PF 5% 50V
C1447	1-100-398-21	ELECT	270uF 20% 10V	C1517	1-162-924-11	CERAMIC CHIP	56PF 5% 50V (US, CND)
C1448	1-100-398-21	ELECT	270uF 20% 10V	C1521	1-162-924-11	CERAMIC CHIP	56PF 5% 50V
C1449	1-100-398-21	ELECT	270uF 20% 10V	C1522	1-162-924-11	CERAMIC CHIP	56PF 5% 50V
C1451	1-164-156-11	CERAMIC CHIP	0.1uF 25V	C1523	1-162-924-11	CERAMIC CHIP	56PF 5% 50V
C1452	1-164-156-11	CERAMIC CHIP	0.1uF 25V	C1524	1-162-924-11	CERAMIC CHIP	56PF 5% 50V
C1453	1-164-156-11	CERAMIC CHIP	0.1uF 25V	C1525	1-162-924-11	CERAMIC CHIP	56PF 5% 50V
C1454	1-164-156-11	CERAMIC CHIP	0.1uF 25V	C1526	1-162-924-11	CERAMIC CHIP	56PF 5% 50V
C1456	1-162-974-11	CERAMIC CHIP	0.01uF 50V	C1527	1-162-924-11	CERAMIC CHIP	56PF 5% 50V (US, CND)
C1457	1-162-974-11	CERAMIC CHIP	0.01uF 50V	C1531	1-162-924-11	CERAMIC CHIP	56PF 5% 50V
C1458	1-162-974-11	CERAMIC CHIP	0.01uF 50V	C1532	1-162-924-11	CERAMIC CHIP	56PF 5% 50V
C1459	1-162-974-11	CERAMIC CHIP	0.01uF 50V	C1533	1-162-924-11	CERAMIC CHIP	56PF 5% 50V
C1461	1-164-156-11	CERAMIC CHIP	0.1uF 25V	C1534	1-162-924-11	CERAMIC CHIP	56PF 5% 50V
C1462	1-164-156-11	CERAMIC CHIP	0.1uF 25V				
C1463	1-164-156-11	CERAMIC CHIP	0.1uF 25V				
C1464	1-164-156-11	CERAMIC CHIP	0.1uF 25V				
C1466	1-162-974-11	CERAMIC CHIP	0.01uF 50V				
C1467	1-162-974-11	CERAMIC CHIP	0.01uF 50V				
C1468	1-162-974-11	CERAMIC CHIP	0.01uF 50V				
C1469	1-162-974-11	CERAMIC CHIP	0.01uF 50V				

D-AMP

Ref. No.	Part No.	Description			Remark	Ref. No.	Part No.	Description			Remark
C1535	1-162-924-11	CERAMIC CHIP	56PF	5%	50V	C1607	1-164-156-11	CERAMIC CHIP	0.1uF		25V
C1536	1-162-924-11	CERAMIC CHIP	56PF	5%	50V						(US, CND)
C1537	1-162-924-11	CERAMIC CHIP	56PF	5%	50V	C1610	1-164-156-11	CERAMIC CHIP	0.1uF		25V
					(US, CND)	C1611	1-164-245-11	CERAMIC CHIP	0.015uF	10%	25V
C1541	1-162-924-11	CERAMIC CHIP	56PF	5%	50V	C1612	1-164-245-11	CERAMIC CHIP	0.015uF	10%	25V
C1542	1-162-924-11	CERAMIC CHIP	56PF	5%	50V	C1613	1-164-245-11	CERAMIC CHIP	0.015uF	10%	25V
C1543	1-162-924-11	CERAMIC CHIP	56PF	5%	50V	C1614	1-164-245-11	CERAMIC CHIP	0.015uF	10%	25V
C1544	1-162-924-11	CERAMIC CHIP	56PF	5%	50V						
C1545	1-162-924-11	CERAMIC CHIP	56PF	5%	50V	C1615	1-164-245-11	CERAMIC CHIP	0.015uF	10%	25V
C1546	1-162-924-11	CERAMIC CHIP	56PF	5%	50V	C1616	1-164-245-11	CERAMIC CHIP	0.015uF	10%	25V
C1547	1-162-924-11	CERAMIC CHIP	56PF	5%	50V	C1617	1-164-245-11	CERAMIC CHIP	0.015uF	10%	25V
					(US, CND)						(US, CND)
C1551	1-164-156-11	CERAMIC CHIP	0.1uF		25V	C1620	1-164-156-11	CERAMIC CHIP	0.1uF		25V
C1552	1-164-156-11	CERAMIC CHIP	0.1uF		25V	C1621	1-164-245-11	CERAMIC CHIP	0.015uF	10%	25V
C1553	1-164-156-11	CERAMIC CHIP	0.1uF		25V	C1622	1-164-245-11	CERAMIC CHIP	0.015uF	10%	25V
C1554	1-164-156-11	CERAMIC CHIP	0.1uF		25V	C1623	1-164-245-11	CERAMIC CHIP	0.015uF	10%	25V
C1555	1-164-156-11	CERAMIC CHIP	0.1uF		25V	C1624	1-164-245-11	CERAMIC CHIP	0.015uF	10%	25V
C1556	1-164-156-11	CERAMIC CHIP	0.1uF		25V	C1625	1-164-245-11	CERAMIC CHIP	0.015uF	10%	25V
C1557	1-164-156-11	CERAMIC CHIP	0.1uF		25V	C1626	1-164-245-11	CERAMIC CHIP	0.015uF	10%	25V
					(US, CND)	C1627	1-164-245-11	CERAMIC CHIP	0.015uF	10%	25V
											(US, CND)
C1561	1-164-156-11	CERAMIC CHIP	0.1uF		25V	C1630	1-164-156-11	CERAMIC CHIP	0.1uF		25V
C1562	1-164-156-11	CERAMIC CHIP	0.1uF		25V	C1640	1-164-156-11	CERAMIC CHIP	0.1uF		25V
C1563	1-164-156-11	CERAMIC CHIP	0.1uF		25V	C1650	1-164-156-11	CERAMIC CHIP	0.1uF		25V
C1564	1-164-156-11	CERAMIC CHIP	0.1uF		25V	C1651	1-100-623-91	CERAMIC CHIP	0.1uF	10%	100V
C1565	1-164-156-11	CERAMIC CHIP	0.1uF		25V						
C1566	1-164-156-11	CERAMIC CHIP	0.1uF		25V	C1652	1-100-623-91	CERAMIC CHIP	0.1uF	10%	100V
C1567	1-164-156-11	CERAMIC CHIP	0.1uF		25V	C1653	1-100-623-91	CERAMIC CHIP	0.1uF	10%	100V
					(US, CND)	C1654	1-100-623-91	CERAMIC CHIP	0.1uF	10%	100V
C1571	1-100-398-21	ELECT	270uF	20%	10V	C1655	1-100-623-91	CERAMIC CHIP	0.1uF	10%	100V
C1572	1-100-398-21	ELECT	270uF	20%	10V	C1656	1-100-623-91	CERAMIC CHIP	0.1uF	10%	100V
C1573	1-100-398-21	ELECT	270uF	20%	10V						
C1574	1-100-398-21	ELECT	270uF	20%	10V	C1657	1-100-623-91	CERAMIC CHIP	0.1uF	10%	100V
C1575	1-100-398-21	ELECT	270uF	20%	10V						(US, CND)
C1576	1-100-398-21	ELECT	270uF	20%	10V	C1660	1-164-156-11	CERAMIC CHIP	0.1uF		25V
C1577	1-100-398-21	ELECT	270uF	20%	10V						(US, CND)
					(US, CND)	C1661	1-100-623-91	CERAMIC CHIP	0.1uF	10%	100V
C1581	1-100-398-21	ELECT	270uF	20%	10V	C1662	1-100-623-91	CERAMIC CHIP	0.1uF	10%	100V
						C1663	1-100-623-91	CERAMIC CHIP	0.1uF	10%	100V
C1582	1-100-398-21	ELECT	270uF	20%	10V						
C1583	1-100-398-21	ELECT	270uF	20%	10V	C1664	1-100-623-91	CERAMIC CHIP	0.1uF	10%	100V
C1584	1-100-398-21	ELECT	270uF	20%	10V	C1665	1-100-623-91	CERAMIC CHIP	0.1uF	10%	100V
C1585	1-100-398-21	ELECT	270uF	20%	10V	C1666	1-100-623-91	CERAMIC CHIP	0.1uF	10%	100V
C1586	1-100-398-21	ELECT	270uF	20%	10V	C1667	1-100-623-91	CERAMIC CHIP	0.1uF	10%	100V
											(US, CND)
C1587	1-100-398-21	ELECT	270uF	20%	10V	C1671	1-100-623-91	CERAMIC CHIP	0.1uF	10%	100V
					(US, CND)						
C1591	1-164-156-11	CERAMIC CHIP	0.1uF		25V	C1672	1-100-623-91	CERAMIC CHIP	0.1uF	10%	100V
C1592	1-164-156-11	CERAMIC CHIP	0.1uF		25V	C1673	1-100-623-91	CERAMIC CHIP	0.1uF	10%	100V
C1593	1-164-156-11	CERAMIC CHIP	0.1uF		25V	C1674	1-100-623-91	CERAMIC CHIP	0.1uF	10%	100V
C1594	1-164-156-11	CERAMIC CHIP	0.1uF		25V	C1675	1-100-623-91	CERAMIC CHIP	0.1uF	10%	100V
						C1676	1-100-623-91	CERAMIC CHIP	0.1uF	10%	100V
C1595	1-164-156-11	CERAMIC CHIP	0.1uF		25V						
C1596	1-164-156-11	CERAMIC CHIP	0.1uF		25V	C1677	1-100-623-91	CERAMIC CHIP	0.1uF	10%	100V
C1597	1-164-156-11	CERAMIC CHIP	0.1uF		25V						(US, CND)
					(US, CND)	C1681	1-100-623-91	CERAMIC CHIP	0.1uF	10%	100V
C1601	1-164-156-11	CERAMIC CHIP	0.1uF		25V	C1682	1-100-623-91	CERAMIC CHIP	0.1uF	10%	100V
C1602	1-164-156-11	CERAMIC CHIP	0.1uF		25V	C1683	1-100-623-91	CERAMIC CHIP	0.1uF	10%	100V
						C1684	1-100-623-91	CERAMIC CHIP	0.1uF	10%	100V
C1603	1-164-156-11	CERAMIC CHIP	0.1uF		25V						
C1604	1-164-156-11	CERAMIC CHIP	0.1uF		25V	C1685	1-100-623-91	CERAMIC CHIP	0.1uF	10%	100V
C1605	1-164-156-11	CERAMIC CHIP	0.1uF		25V	C1686	1-100-623-91	CERAMIC CHIP	0.1uF	10%	100V
C1606	1-164-156-11	CERAMIC CHIP	0.1uF		25V	C1687	1-100-623-91	CERAMIC CHIP	0.1uF	10%	100V
											(US, CND)
						C1691	1-100-622-21	MYLAR	0.1uF	5%	100V
											(AEP)

STR-DA3000ES

Ver. 1.2

D-AMP

Ref. No.	Part No.	Description	Remark	Ref. No.	Part No.	Description	Remark
C1691	1-130-777-00	MYLAR	0.1uF 5% 100V (EXCEPT AEP)	C1715	1-107-937-11	ELECT	1000uF 20% 100V (AEP, TW, KR)
C1692	1-100-622-21	MYLAR	0.1uF 5% 100V (AEP)	C1716	1-107-936-11	ELECT	470uF 20% 100V (US, CND)
C1692	1-130-777-00	MYLAR	0.1uF 5% 100V (EXCEPT AEP)	C1716	1-107-937-11	ELECT	1000uF 20% 100V (AEP, TW, KR)
C1693	1-100-622-21	MYLAR	0.1uF 5% 100V (AEP)	C1717	1-107-936-11	ELECT	470uF 20% 100V (US, CND)
C1693	1-130-777-00	MYLAR	0.1uF 5% 100V (EXCEPT AEP)	C1721	1-100-622-21	MYLAR	0.1uF 5% 100V (AEP)
C1694	1-100-622-21	MYLAR	0.1uF 5% 100V (AEP)	C1721	1-130-777-00	MYLAR	0.1uF 5% 100V (EXCEPT AEP)
C1694	1-130-777-00	MYLAR	0.1uF 5% 100V (EXCEPT AEP)	C1722	1-100-622-21	MYLAR	0.1uF 5% 100V (AEP)
C1695	1-100-622-21	MYLAR	0.1uF 5% 100V (AEP)	C1722	1-130-777-00	MYLAR	0.1uF 5% 100V (EXCEPT AEP)
C1695	1-130-777-00	MYLAR	0.1uF 5% 100V (EXCEPT AEP)	C1723	1-100-622-21	MYLAR	0.1uF 5% 100V (AEP)
C1696	1-100-622-21	MYLAR	0.1uF 5% 100V (AEP)	C1723	1-130-777-00	MYLAR	0.1uF 5% 100V (EXCEPT AEP)
C1696	1-130-777-00	MYLAR	0.1uF 5% 100V (EXCEPT AEP)	C1724	1-100-622-21	MYLAR	0.1uF 5% 100V (AEP)
C1697	1-130-777-00	MYLAR	0.1uF 5% 100V (US, CND)	C1724	1-130-777-00	MYLAR	0.1uF 5% 100V (EXCEPT AEP)
C1701	1-100-622-21	MYLAR	0.1uF 5% 100V (AEP)	C1725	1-100-622-21	MYLAR	0.1uF 5% 100V (AEP)
C1701	1-130-777-00	MYLAR	0.1uF 5% 100V (EXCEPT AEP)	C1725	1-130-777-00	MYLAR	0.1uF 5% 100V (EXCEPT AEP)
C1702	1-100-622-21	MYLAR	0.1uF 5% 100V (AEP)	C1726	1-100-622-21	MYLAR	0.1uF 5% 100V (AEP)
C1702	1-130-777-00	MYLAR	0.1uF 5% 100V (EXCEPT AEP)	C1726	1-130-777-00	MYLAR	0.1uF 5% 100V (EXCEPT AEP)
C1703	1-100-622-21	MYLAR	0.1uF 5% 100V (AEP)	C1727	1-130-777-00	MYLAR	0.1uF 5% 100V (US, CND)
C1703	1-130-777-00	MYLAR	0.1uF 5% 100V (EXCEPT AEP)	C1731	1-162-966-11	CERAMIC CHIP	0.0022uF 10% 50V
C1704	1-100-622-21	MYLAR	0.1uF 5% 100V (AEP)	C1732	1-162-966-11	CERAMIC CHIP	0.0022uF 10% 50V
C1704	1-130-777-00	MYLAR	0.1uF 5% 100V (EXCEPT AEP)	C1733	1-162-966-11	CERAMIC CHIP	0.0022uF 10% 50V
C1705	1-100-622-21	MYLAR	0.1uF 5% 100V (AEP)	C1734	1-162-966-11	CERAMIC CHIP	0.0022uF 10% 50V
C1705	1-130-777-00	MYLAR	0.1uF 5% 100V (EXCEPT AEP)	C1735	1-162-966-11	CERAMIC CHIP	0.0022uF 10% 50V
C1706	1-100-622-21	MYLAR	0.1uF 5% 100V (AEP)	C1736	1-162-966-11	CERAMIC CHIP	0.0022uF 10% 50V
C1706	1-130-777-00	MYLAR	0.1uF 5% 100V (EXCEPT AEP)	C1737	1-162-966-11	CERAMIC CHIP	0.0022uF 10% 50V (US, CND)
C1707	1-130-777-00	MYLAR	0.1uF 5% 100V (US, CND)	C1741	1-100-188-11	MYLAR	0.75uF 5% 250V
C1711	1-107-937-11	ELECT	1000uF 20% 100V	C1742	1-100-188-11	MYLAR	0.75uF 5% 250V
C1712	1-107-937-11	ELECT	1000uF 20% 100V	C1743	1-100-188-11	MYLAR	0.75uF 5% 250V
C1713	1-107-936-11	ELECT	470uF 20% 100V (US, CND)	C1744	1-100-188-11	MYLAR	0.75uF 5% 250V
C1713	1-107-937-11	ELECT	1000uF 20% 100V (AEP, TW, KR)	C1745	1-100-188-11	MYLAR	0.75uF 5% 250V
C1714	1-107-936-11	ELECT	470uF 20% 100V (US, CND)	C1746	1-100-188-11	MYLAR	0.75uF 5% 250V
C1714	1-107-937-11	ELECT	1000uF 20% 100V (AEP, TW, KR)	C1747	1-100-188-11	MYLAR	0.75uF 5% 250V (US, CND)
C1715	1-107-936-11	ELECT	470uF 20% 100V (US, CND)	C1751	1-100-188-11	MYLAR	0.75uF 5% 250V
				C1752	1-100-188-11	MYLAR	0.75uF 5% 250V
				C1753	1-100-188-11	MYLAR	0.75uF 5% 250V
				C1754	1-100-188-11	MYLAR	0.75uF 5% 250V
				C1755	1-100-188-11	MYLAR	0.75uF 5% 250V
				C1756	1-100-188-11	MYLAR	0.75uF 5% 250V
				C1757	1-100-188-11	MYLAR	0.75uF 5% 250V (US, CND)
				C1761	1-100-156-91	CERAMIC CHIP	680PF 5% 100V
				C1762	1-100-156-91	CERAMIC CHIP	680PF 5% 100V
				C1763	1-100-156-91	CERAMIC CHIP	680PF 5% 100V

D-AMP

Ref. No.	Part No.	Description	Remark	Ref. No.	Part No.	Description	Remark
C1764	1-100-156-91	CERAMIC CHIP	680PF 5% 100V	C1856	1-119-792-21	ELECT	470uF 20% 16V
C1766	1-100-156-91	CERAMIC CHIP	680PF 5% 100V				(AEP)
C1767	1-100-156-91	CERAMIC CHIP	680PF 5% 100V	C1856	1-127-720-91	ELECT	470uF 20% 16V
							(US, CND)
C1768	1-100-156-91	CERAMIC CHIP	680PF 5% 100V	C1856	1-135-711-91	ELECT	470uF 16V
C1769	1-100-156-91	CERAMIC CHIP	680PF 5% 100V				(TW, KR)
C1771	1-100-156-91	CERAMIC CHIP	680PF 5% 100V	C1857	1-162-927-11	CERAMIC CHIP	100PF 5% 50V
C1772	1-100-156-91	CERAMIC CHIP	680PF 5% 100V	C1858	1-119-792-21	ELECT	470uF 20% 16V
C1773	1-100-156-91	CERAMIC CHIP	680PF 5% 100V				(AEP)
C1774	1-100-156-91	CERAMIC CHIP	680PF 5% 100V	C1858	1-127-720-91	ELECT	470uF 20% 16V
C1776	1-100-156-91	CERAMIC CHIP	680PF 5% 100V				(US, CND)
C1777	1-100-156-91	CERAMIC CHIP	680PF 5% 100V	C1858	1-135-711-91	ELECT	470uF 16V
C1778	1-100-156-91	CERAMIC CHIP	680PF 5% 100V				(TW, KR)
C1779	1-100-156-91	CERAMIC CHIP	680PF 5% 100V	C1880	1-119-792-21	ELECT	470uF 20% 16V
							(AEP)
C1781	1-117-720-11	CERAMIC CHIP	4.7uF 10V	C1880	1-127-720-91	ELECT	470uF 20% 16V
C1782	1-117-720-11	CERAMIC CHIP	4.7uF 10V				(US, CND)
C1783	1-117-720-11	CERAMIC CHIP	4.7uF 10V	C1880	1-135-711-91	ELECT	470uF 16V
C1784	1-117-720-11	CERAMIC CHIP	4.7uF 10V				(TW, KR)
C1785	1-117-720-11	CERAMIC CHIP	4.7uF 10V	C1884	1-216-295-00	SHORT CHIP	0 (US, CND)
C1786	1-117-720-11	CERAMIC CHIP	4.7uF 10V	C1891	1-164-156-11	CERAMIC CHIP	0.1uF 25V
C1787	1-117-720-11	CERAMIC CHIP	4.7uF 10V	C1892	1-119-799-11	ELECT	47uF 20% 25V
			(US, CND)				(EXCEPT AEP)
C1791	1-164-156-11	CERAMIC CHIP	0.1uF 25V	C1892	1-135-680-91	ELECT	47uF 25V
C1792	1-164-156-11	CERAMIC CHIP	0.1uF 25V				(AEP)
C1793	1-164-156-11	CERAMIC CHIP	0.1uF 25V	C1893	1-117-720-11	CERAMIC CHIP	4.7uF 10V
C1794	1-164-156-11	CERAMIC CHIP	0.1uF 25V	C1900	1-164-156-11	CERAMIC CHIP	0.1uF 25V
C1795	1-164-156-11	CERAMIC CHIP	0.1uF 25V	C1901	1-162-974-11	CERAMIC CHIP	0.01uF 50V
C1796	1-164-156-11	CERAMIC CHIP	0.1uF 25V	C1902	1-162-974-11	CERAMIC CHIP	0.01uF 50V
			(US, CND)	C1903	1-162-974-11	CERAMIC CHIP	0.01uF 50V
C1800	1-119-824-31	ELECT	10uF 20% 50V	C1904	1-162-974-11	CERAMIC CHIP	0.01uF 50V
			(AEP)	C1905	1-162-974-11	CERAMIC CHIP	0.01uF 50V
C1800	1-119-824-11	ELECT	10uF 20% 50V	C1906	1-162-974-11	CERAMIC CHIP	0.01uF 50V
			(US, CND)	C1907	1-162-974-11	CERAMIC CHIP	0.01uF 50V
C1800	1-135-743-11	ELECT	10uF 50V	C1908	1-162-974-11	CERAMIC CHIP	0.01uF 50V
			(TW, KR)	C1910	1-164-156-11	CERAMIC CHIP	0.1uF 25V
C1801	1-164-156-11	CERAMIC CHIP	0.1uF 25V	C1911	1-162-974-11	CERAMIC CHIP	0.01uF 50V
C1802	1-164-156-11	CERAMIC CHIP	0.1uF 25V	C1912	1-162-974-11	CERAMIC CHIP	0.01uF 50V
C1803	1-164-156-11	CERAMIC CHIP	0.1uF 25V	C1913	1-162-974-11	CERAMIC CHIP	0.01uF 50V
C1804	1-162-974-11	CERAMIC CHIP	0.01uF 50V	C1915	1-162-974-11	CERAMIC CHIP	0.01uF 50V
C1841	1-164-156-11	CERAMIC CHIP	0.1uF 25V	C1916	1-162-974-11	CERAMIC CHIP	0.01uF 50V
C1851	1-126-077-11	ELECT	100uF 20% 100V	C1917	1-162-974-11	CERAMIC CHIP	0.01uF 50V
			(AEP)	C1918	1-162-974-11	CERAMIC CHIP	0.01uF 50V
C1851	1-126-077-11	ELECT	100uF 20% 100V				(US, CND)
			(US, CND)	C1940	1-164-156-11	CERAMIC CHIP	0.1uF 25V
C1851	1-135-730-51	ELECT	100uF 100V				(TW, KR)
C1852	1-119-792-21	ELECT	470uF 20% 16V	C1941	1-162-974-11	CERAMIC CHIP	0.01uF 50V
			(AEP)	C1942	1-162-974-11	CERAMIC CHIP	0.01uF 50V
C1852	1-127-720-91	ELECT	470uF 20% 16V	C1944	1-162-974-11	CERAMIC CHIP	0.01uF 50V
			(US, CND)	C1945	1-162-974-11	CERAMIC CHIP	0.01uF 50V
C1852	1-135-711-91	ELECT	470uF 16V	C1946	1-162-974-11	CERAMIC CHIP	0.01uF 50V
			(TW, KR)	C1947	1-162-974-11	CERAMIC CHIP	0.01uF 50V
C1853	1-162-927-11	CERAMIC CHIP	100PF 5% 50V	C1951	1-164-156-11	CERAMIC CHIP	0.1uF 25V
C1854	1-119-792-21	ELECT	470uF 20% 16V	C1952	1-164-156-11	CERAMIC CHIP	0.1uF 25V
			(AEP)	C1953	1-164-156-11	CERAMIC CHIP	0.1uF 25V
C1854	1-127-720-91	ELECT	470uF 20% 16V	C1954	1-164-156-11	CERAMIC CHIP	0.1uF 25V
			(US, CND)	C1955	1-164-156-11	CERAMIC CHIP	0.1uF 25V
C1854	1-135-711-91	ELECT	470uF 16V	C1956	1-164-156-11	CERAMIC CHIP	0.1uF 25V
			(TW, KR)	C1961	1-119-824-31	ELECT	10uF 20% 50V
C1855	1-162-927-11	CERAMIC CHIP	100PF 5% 50V				(AEP)

STR-DA3000ES

D-AMP

Ref. No.	Part No.	Description	Remark	Ref. No.	Part No.	Description	Remark
C1961	1-119-824-11	ELECT	10uF 20% 50V (US, CND)	D1480	8-719-016-74	DIODE 1SS352	
C1961	1-135-743-11	ELECT	10uF 50V (TW, KR)	D1490	8-719-016-74	DIODE 1SS352	
C1963	1-119-800-11	ELECT	100uF 20% 25V (AEP)	D1521	8-719-049-09	DIODE 1SS367-T3SONY	
C1963	1-127-718-91	ELECT	100uF 20% 16V (US, CND)	D1522	8-719-049-09	DIODE 1SS367-T3SONY	
C1963	1-135-709-91	ELECT	100uF 16V (TW, KR)	D1523	8-719-049-09	DIODE 1SS367-T3SONY	
C1965	1-117-720-11	CERAMIC CHIP	4.7uF 10V	D1524	8-719-049-09	DIODE 1SS367-T3SONY	
C1966	1-119-800-11	ELECT	100uF 20% 25V (AEP)	D1525	8-719-049-09	DIODE 1SS367-T3SONY	
C1966	1-127-718-91	ELECT	100uF 20% 16V (US, CND)	D1526	8-719-049-09	DIODE 1SS367-T3SONY	
C1966	1-135-709-91	ELECT	100uF 16V (TW, KR)	D1527	8-719-049-09	DIODE 1SS367-T3SONY (US, CND)	
C1970	1-164-156-11	CERAMIC CHIP	0.1uF 25V	D1531	8-719-049-09	DIODE 1SS367-T3SONY	
C1980	1-164-156-11	CERAMIC CHIP	0.1uF 25V	D1532	8-719-049-09	DIODE 1SS367-T3SONY	
C2851	1-164-156-11	CERAMIC CHIP	0.1uF 25V (EXCEPT US, CND)	D1533	8-719-049-09	DIODE 1SS367-T3SONY	
C2872	1-163-021-11	CERAMIC CHIP	0.01uF 10% 50V (EXCEPT US, CND)	D1534	8-719-049-09	DIODE 1SS367-T3SONY	
C2873	1-162-966-11	CERAMIC CHIP	0.0022uF 10% 50V (EXCEPT US, CND)	D1535	8-719-049-09	DIODE 1SS367-T3SONY	
C2874	1-162-966-11	CERAMIC CHIP	0.0022uF 10% 50V (EXCEPT US, CND)	D1536	8-719-049-09	DIODE 1SS367-T3SONY	
C2885	1-119-825-41	ELECT	22uF 20% 50V (AEP)	D1537	8-719-049-09	DIODE 1SS367-T3SONY (US, CND)	
C2885	1-135-744-91	ELECT	22uF 50V (TW, KR)	D1581	8-719-049-09	DIODE 1SS367-T3SONY	
C2886	1-119-800-11	ELECT	100uF 20% 25V (AEP)	D1680	8-719-016-74	DIODE 1SS352	
C2886	1-135-709-91	ELECT	100uF 16V (TW, KR)	D1690	8-719-016-74	DIODE 1SS352	
C2887	1-137-505-11	MYLAR	220PF 5% 100V (EXCEPT US, CND)	D1801	8-719-016-74	DIODE 1SS352	
C2888	1-119-825-41	ELECT	22uF 20% 50V (AEP)	D1803	6-500-812-01	DIODE RLZTE-113.6B	
C2888	1-135-744-91	ELECT	22uF 50V (TW, KR)	D1891	8-719-820-05	DIODE 1SS181	
C2889	1-162-927-11	CERAMIC CHIP	100PF 5% 50V (EXCEPT US, CND)	D2851	8-719-016-74	DIODE 1SS352 (EXCEPT US, CND)	
C18881	1-216-295-00	SHORT CHIP	0 (US, CND)			< GROUND TERMINAL >	
		< CONNECTOR >					
CN1480	1-779-978-11	PIN, CONNECTOR 3P		* EP1801	1-537-738-21	TERMINAL, EARTH (US, CND)	
CN1853	1-784-922-11	PIN, CONNECTOR 5P		* EP1802	1-537-738-21	TERMINAL, EARTH	
CN1901	1-784-796-11	CONNECTOR, FFC 35P		* EP1806	1-537-738-21	TERMINAL, EARTH	
CN1902	1-784-786-11	CONNECTOR, FFC 25P				< FERRITE BEAD >	
CN1903	1-784-923-11	PIN, CONNECTOR 7P		FB1400	1-414-760-21	FERRITE, EMI (SMD) (1608)	
		< DIODE >		FB1401	1-469-120-21	FERRITE, EMI (SMD) (1608)	
D1316	8-719-016-74	DIODE	1SS352	FB1402	1-469-120-21	FERRITE, EMI (SMD) (1608)	
D1317	8-719-016-74	DIODE	1SS352	FB1403	1-414-760-21	FERRITE, EMI (SMD) (1608)	
D1318	8-719-016-74	DIODE	1SS352	FB1404	1-414-760-21	FERRITE, EMI (SMD) (1608)	
D1319	8-719-016-74	DIODE	1SS352	FB1410	1-414-760-21	FERRITE, EMI (SMD) (1608)	
D1320	8-719-016-74	DIODE	1SS352	FB1411	1-414-760-21	FERRITE, EMI (SMD) (1608)	
D1321	8-719-016-74	DIODE	1SS352	FB1412	1-414-760-21	FERRITE, EMI (SMD) (1608)	
D1322	8-719-016-74	DIODE	1SS352 (US, CND)	FB1413	1-414-760-21	FERRITE, EMI (SMD) (1608)	
D1470	8-719-049-09	DIODE	1SS367-T3SONY	FB1414	1-414-760-21	FERRITE, EMI (SMD) (1608)	
				FB1416	1-414-760-21	FERRITE, EMI (SMD) (1608)	
				FB1417	1-414-760-21	FERRITE, EMI (SMD) (1608)	
				FB1418	1-414-760-21	FERRITE, EMI (SMD) (1608)	
				FB1419	1-414-760-21	FERRITE, EMI (SMD) (1608)	
				FB1420	1-414-760-21	FERRITE, EMI (SMD) (1608)	
				FB1421	1-414-656-11	FERRITE, EMI (SMD) (1608)	
				FB1426	1-414-656-11	FERRITE, EMI (SMD) (1608)	
				FB1427	1-414-656-11	FERRITE, EMI (SMD) (1608)	
				FB1428	1-414-656-11	FERRITE, EMI (SMD) (1608)	
				FB1431	1-414-760-21	FERRITE, EMI (SMD) (1608)	
				FB1470	1-414-760-21	FERRITE, EMI (SMD) (1608)	
				FB1480	1-414-445-11	FERRITE, EMI (SMD) (1608)	
				FB1510	1-414-760-21	FERRITE, EMI (SMD) (1608)	
				FB1520	1-414-445-11	FERRITE, EMI (SMD) (1608)	
				FB1521	1-414-760-21	FERRITE, EMI (SMD) (1608)	
				FB1522	1-414-760-21	FERRITE, EMI (SMD) (1608)	
				FB1523	1-414-760-21	FERRITE, EMI (SMD) (1608)	

Ref. No.	Part No.	Description	Remark	Ref. No.	Part No.	Description	Remark
FB1524	1-414-760-21	FERRITE, EMI (SMD) (1608)		IC1940	8-759-524-50	IC TC74VHC541FT (EL)	
FB1525	1-414-760-21	FERRITE, EMI (SMD) (1608)		IC1950	6-704-741-01	IC CXD9776AQ	
FB1526	1-414-760-21	FERRITE, EMI (SMD) (1608)					
FB1527	1-414-760-21	FERRITE, EMI (SMD) (1608) (US, CND)		IC1970	8-759-523-78	IC TC74VHC00FT (EL)	
FB1531	1-414-760-21	FERRITE, EMI (SMD) (1608)		IC1980	8-759-058-58	IC TC7S04FU (TE85R)	
FB1532	1-414-760-21	FERRITE, EMI (SMD) (1608)		IC2862	6-702-387-01	IC CXD9725M (EXCEPT US, CND)	
FB1533	1-414-760-21	FERRITE, EMI (SMD) (1608)		IC2863	8-759-832-29	IC NJM4580M-(TE2) (EXCEPT US, CND)	
FB1534	1-414-760-21	FERRITE, EMI (SMD) (1608)				< JACK >	
FB1535	1-414-760-21	FERRITE, EMI (SMD) (1608)		J2875	1-793-446-11	JACK, PIN 1P (SUB WOOFER AUDIO OUT) (EXCEPT US, CND)	
FB1536	1-414-760-21	FERRITE, EMI (SMD) (1608)				< SHORT >	
FB1537	1-414-760-21	FERRITE, EMI (SMD) (1608) (US, CND)					
FB1800	1-414-760-21	FERRITE, EMI (SMD) (1608)		JR1462	1-216-864-11	SHORT CHIP	0
FB1950	1-414-760-21	FERRITE, EMI (SMD) (1608)		JR1463	1-216-864-11	SHORT CHIP	0
		< IC >		JR1464	1-216-864-11	SHORT CHIP	0
IC1400	8-759-523-13	IC TC74AC125FT (EL)				< COIL >	
IC1401	6-702-673-01	IC CXD9730Q		L1301	1-456-412-11	COIL, CHOKE	10uH
IC1402	6-702-673-01	IC CXD9730Q		L1302	1-456-412-11	COIL, CHOKE	10uH
IC1403	6-702-673-01	IC CXD9730Q		L1303	1-456-412-11	COIL, CHOKE	10uH
IC1404	6-702-673-01	IC CXD9730Q		L1304	1-456-412-11	COIL, CHOKE	10uH
IC1471	8-759-271-88	IC TC7SHU04FU		L1305	1-456-412-11	COIL, CHOKE	10uH
IC1481	8-759-832-29	IC NJM4580M-(TE2)		L1306	1-456-412-11	COIL, CHOKE	10uH
IC1482	8-759-832-29	IC NJM4580M-(TE2)		L1307	1-456-412-11	COIL, CHOKE	10uH (US, CND)
IC1511	8-759-523-08	IC TC74AC08FT (EL)		L1311	1-456-412-11	COIL, CHOKE	10uH
IC1512	8-759-523-08	IC TC74AC08FT (EL)		L1312	1-456-412-11	COIL, CHOKE	10uH
IC1513	8-759-523-08	IC TC74AC08FT (EL)		L1313	1-456-412-11	COIL, CHOKE	10uH
IC1514	8-759-523-08	IC TC74AC08FT (EL)		L1314	1-456-412-11	COIL, CHOKE	10uH
IC1515	8-759-523-08	IC TC74AC08FT (EL)		L1315	1-456-412-11	COIL, CHOKE	10uH
IC1516	8-759-523-08	IC TC74AC08FT (EL)		L1316	1-456-412-11	COIL, CHOKE	10uH
IC1517	8-759-523-08	IC TC74AC08FT (EL) (US, CND)		L1317	1-456-412-11	COIL, CHOKE	10uH (US, CND)
IC1521	8-759-523-08	IC TC74AC08FT (EL)		L1471	1-410-993-42	CHIP INDUCTOR	1uH
IC1522	8-759-523-08	IC TC74AC08FT (EL)		L1472	1-412-006-31	CHIP INDUCTOR	10uH
IC1523	8-759-523-08	IC TC74AC08FT (EL)		L1473	1-412-006-31	CHIP INDUCTOR	10uH
IC1524	8-759-523-08	IC TC74AC08FT (EL)		L1731	1-456-412-11	COIL, CHOKE	10uH
IC1525	8-759-523-08	IC TC74AC08FT (EL)		L1732	1-456-412-11	COIL, CHOKE	10uH
IC1526	8-759-523-08	IC TC74AC08FT (EL)		L1733	1-456-412-11	COIL, CHOKE	10uH
IC1527	8-759-523-08	IC TC74AC08FT (EL) (US, CND)		L1734	1-456-412-11	COIL, CHOKE	10uH
IC1531	6-704-197-01	IC HIP2101BZT		L1735	1-456-412-11	COIL, CHOKE	10uH
IC1532	6-704-197-01	IC HIP2101BZT		L1736	1-456-412-11	COIL, CHOKE	10uH
IC1533	6-704-197-01	IC HIP2101BZT		L1737	1-456-412-11	COIL, CHOKE	10uH (US, CND)
IC1534	6-704-197-01	IC HIP2101BZT		L1741	1-456-412-11	COIL, CHOKE	10uH
IC1535	6-704-197-01	IC HIP2101BZT		L1742	1-456-412-11	COIL, CHOKE	10uH
IC1536	6-704-197-01	IC HIP2101BZT		L1743	1-456-412-11	COIL, CHOKE	10uH
IC1537	6-704-197-01	IC HIP2101BZT (US, CND)		L1744	1-456-412-11	COIL, CHOKE	10uH
IC1541	6-704-197-01	IC HIP2101BZT		L1745	1-456-412-11	COIL, CHOKE	10uH
IC1542	6-704-197-01	IC HIP2101BZT		L1746	1-456-412-11	COIL, CHOKE	10uH
IC1543	6-704-197-01	IC HIP2101BZT		L1747	1-456-412-11	COIL, CHOKE	10uH (US, CND)
IC1544	6-704-197-01	IC HIP2101BZT				< TRANSISTOR >	
IC1545	6-704-197-01	IC HIP2101BZT		Q1480	8-729-230-49	TRANSISTOR	2SC2712-YG
IC1546	6-704-197-01	IC HIP2101BZT		Q1651	6-550-622-01	FET	SUP18N15-95
IC1547	6-704-197-01	IC HIP2101BZT (US, CND)		Q1652	6-550-622-01	FET	SUP18N15-95
IC1800	6-803-623-01	IC MB89F538L		Q1653	6-550-622-01	FET	SUP18N15-95
IC1841	6-700-942-01	IC M62342FP		Q1654	6-550-622-01	FET	SUP18N15-95
IC1851	8-759-701-59	IC NJM78M09FA		Q1655	6-550-622-01	FET	SUP18N15-95
IC1852	8-759-231-53	IC TA7805S		Q1656	6-550-622-01	FET	SUP18N15-95
IC1853	8-759-641-26	IC NJM2391DL1-33 (TE1)					
IC1900	8-759-524-50	IC TC74VHC541FT (EL)					
IC1910	8-759-524-50	IC TC74VHC541FT (EL)					

STR-DA3000ES

D-AMP

Ref. No.	Part No.	Description	Remark	Ref. No.	Part No.	Description	Remark
Q1657	6-550-622-01	FET	SUP18N15-95 (US, CND)	Q1792	8-729-230-49	TRANSISTOR	2SC2712-YG
Q1661	6-550-622-01	FET	SUP18N15-95	Q1793	8-729-230-49	TRANSISTOR	2SC2712-YG
Q1662	6-550-622-01	FET	SUP18N15-95	Q1794	8-729-230-49	TRANSISTOR	2SC2712-YG
Q1663	6-550-622-01	FET	SUP18N15-95	Q1795	8-729-230-49	TRANSISTOR	2SC2712-YG
Q1664	6-550-622-01	FET	SUP18N15-95	Q1796	8-729-230-49	TRANSISTOR	2SC2712-YG (US, CND)
Q1665	6-550-622-01	FET	SUP18N15-95	Q1800	8-729-027-38	TRANSISTOR	DTA144EKA-T146
Q1666	6-550-622-01	FET	SUP18N15-95	Q1891	8-729-230-49	TRANSISTOR	2SC2712-YG
Q1667	6-550-622-01	FET	SUP18N15-95 (US, CND)	Q1892	8-729-230-49	TRANSISTOR	2SC2712-YG
Q1671	6-550-622-01	FET	SUP18N15-95	Q2851	8-729-230-49	TRANSISTOR	2SC2712-YG
Q1672	6-550-622-01	FET	SUP18N15-95				(EXCEPT US, CND)
Q1673	6-550-622-01	FET	SUP18N15-95	Q2852	8-729-027-24	TRANSISTOR	DTA114TKA-T146
Q1674	6-550-622-01	FET	SUP18N15-95				(EXCEPT US, CND)
Q1675	6-550-622-01	FET	SUP18N15-95				
Q1676	6-550-622-01	FET	SUP18N15-95				< RESISTOR >
Q1677	6-550-622-01	FET	SUP18N15-95 (US, CND)	R1001	1-216-295-00	SHORT CHIP	0
Q1680	8-729-230-49	TRANSISTOR	2SC2712-YG	R1002	1-216-295-00	SHORT CHIP	0
Q1681	6-550-622-01	FET	SUP18N15-95	R1301	1-216-797-11	METAL CHIP	10 5% 1/10W
Q1682	6-550-622-01	FET	SUP18N15-95	R1302	1-216-797-11	METAL CHIP	10 5% 1/10W
Q1683	6-550-622-01	FET	SUP18N15-95	R1303	1-216-797-11	METAL CHIP	10 5% 1/10W
Q1684	6-550-622-01	FET	SUP18N15-95	R1304	1-216-797-11	METAL CHIP	10 5% 1/10W
Q1685	6-550-622-01	FET	SUP18N15-95	R1305	1-216-797-11	METAL CHIP	10 5% 1/10W
Q1686	6-550-622-01	FET	SUP18N15-95	R1306	1-216-797-11	METAL CHIP	10 5% 1/10W
Q1687	6-550-622-01	FET	SUP18N15-95 (US, CND)	R1307	1-216-797-11	METAL CHIP	10 5% 1/10W
Q1690	8-729-230-49	TRANSISTOR	2SC2712-YG				(US, CND)
Q1721	8-729-216-31	TRANSISTOR	2SA1163-G	R1311	1-216-797-11	METAL CHIP	10 5% 1/10W
Q1722	8-729-216-31	TRANSISTOR	2SA1163-G	R1312	1-216-797-11	METAL CHIP	10 5% 1/10W
Q1723	8-729-216-31	TRANSISTOR	2SA1163-G	R1313	1-216-797-11	METAL CHIP	10 5% 1/10W
Q1724	8-729-216-31	TRANSISTOR	2SA1163-G	R1314	1-216-797-11	METAL CHIP	10 5% 1/10W
Q1725	8-729-216-31	TRANSISTOR	2SA1163-G	R1315	1-216-797-11	METAL CHIP	10 5% 1/10W
Q1726	8-729-216-31	TRANSISTOR	2SA1163-G	R1316	1-216-797-11	METAL CHIP	10 5% 1/10W
Q1727	8-729-216-31	TRANSISTOR	2SA1163-G (US, CND)	R1317	1-216-797-11	METAL CHIP	10 5% 1/10W
Q1751	8-729-216-22	TRANSISTOR	2SA1162-G				(US, CND)
Q1752	8-729-216-22	TRANSISTOR	2SA1162-G	R1321	1-216-797-11	METAL CHIP	10 5% 1/10W
Q1753	8-729-216-22	TRANSISTOR	2SA1162-G	R1322	1-216-797-11	METAL CHIP	10 5% 1/10W
Q1754	8-729-216-22	TRANSISTOR	2SA1162-G	R1323	1-216-797-11	METAL CHIP	10 5% 1/10W
Q1755	8-729-216-22	TRANSISTOR	2SA1162-G	R1324	1-216-797-11	METAL CHIP	10 5% 1/10W
Q1756	8-729-216-22	TRANSISTOR	2SA1162-G	R1325	1-216-797-11	METAL CHIP	10 5% 1/10W
Q1757	8-729-216-22	TRANSISTOR	2SA1162-G (US, CND)	R1326	1-216-797-11	METAL CHIP	10 5% 1/10W
Q1761	8-729-216-22	TRANSISTOR	2SA1162-G	R1327	1-216-797-11	METAL CHIP	10 5% 1/10W
Q1762	8-729-216-22	TRANSISTOR	2SA1162-G				(US, CND)
Q1763	8-729-216-22	TRANSISTOR	2SA1162-G	R1331	1-216-797-11	METAL CHIP	10 5% 1/10W
Q1764	8-729-216-22	TRANSISTOR	2SA1162-G	R1332	1-216-797-11	METAL CHIP	10 5% 1/10W
Q1765	8-729-216-22	TRANSISTOR	2SA1162-G	R1333	1-216-797-11	METAL CHIP	10 5% 1/10W
Q1766	8-729-216-22	TRANSISTOR	2SA1162-G	R1334	1-216-797-11	METAL CHIP	10 5% 1/10W
Q1767	8-729-216-22	TRANSISTOR	2SA1162-G (US, CND)	R1335	1-216-797-11	METAL CHIP	10 5% 1/10W
Q1771	8-729-230-49	TRANSISTOR	2SC2712-YG	R1336	1-216-797-11	METAL CHIP	10 5% 1/10W
Q1772	8-729-230-49	TRANSISTOR	2SC2712-YG	R1337	1-216-797-11	METAL CHIP	10 5% 1/10W
Q1773	8-729-230-49	TRANSISTOR	2SC2712-YG				(US, CND)
Q1774	8-729-230-49	TRANSISTOR	2SC2712-YG	R1400	1-216-801-11	METAL CHIP	22 5% 1/10W
Q1775	8-729-230-49	TRANSISTOR	2SC2712-YG	R1401	1-216-809-11	METAL CHIP	100 5% 1/10W
Q1776	8-729-230-49	TRANSISTOR	2SC2712-YG (US, CND)	R1402	1-216-809-11	METAL CHIP	100 5% 1/10W
Q1781	8-729-230-49	TRANSISTOR	2SC2712-YG	R1403	1-216-809-11	METAL CHIP	100 5% 1/10W
Q1782	8-729-230-49	TRANSISTOR	2SC2712-YG	R1404	1-216-809-11	METAL CHIP	100 5% 1/10W
Q1783	8-729-230-49	TRANSISTOR	2SC2712-YG	R1405	1-216-809-11	METAL CHIP	100 5% 1/10W
Q1784	8-729-230-49	TRANSISTOR	2SC2712-YG	R1406	1-216-809-11	METAL CHIP	100 5% 1/10W
Q1785	8-729-230-49	TRANSISTOR	2SC2712-YG	R1407	1-216-809-11	METAL CHIP	100 5% 1/10W
Q1786	8-729-230-49	TRANSISTOR	2SC2712-YG (US, CND)	R1408	1-216-809-11	METAL CHIP	100 5% 1/10W
Q1791	8-729-230-49	TRANSISTOR	2SC2712-YG	R1411	1-216-809-11	METAL CHIP	100 5% 1/10W

D-AMP

Ref. No.	Part No.	Description	Quantity	Tolerance	Remark	Ref. No.	Part No.	Description	Quantity	Tolerance	Remark
R1412	1-216-809-11	METAL CHIP	100	5%	1/10W	R1486	1-216-837-11	METAL CHIP	22K	5%	1/10W
R1413	1-216-809-11	METAL CHIP	100	5%	1/10W	R1487	1-216-837-11	METAL CHIP	22K	5%	1/10W
R1415	1-216-809-11	METAL CHIP	100	5%	1/10W	R1488	1-216-837-11	METAL CHIP	22K	5%	1/10W
R1416	1-216-809-11	METAL CHIP	100	5%	1/10W	R1490	1-216-829-11	METAL CHIP	4.7K	5%	1/10W
R1417	1-216-809-11	METAL CHIP	100	5%	1/10W	R1491	1-216-823-11	METAL CHIP	1.5K	5%	1/10W
R1418	1-216-809-11	METAL CHIP	100	5%	1/10W (US, CND)	R1492	1-216-823-11	METAL CHIP	1.5K	5%	1/10W
R1421	1-216-833-11	METAL CHIP	1K	5%	1/10W	R1493	1-216-839-11	METAL CHIP	33K	5%	1/10W
R1422	1-216-833-11	METAL CHIP	1K	5%	1/10W	R1494	1-216-839-11	METAL CHIP	33K	5%	1/10W
R1423	1-216-833-11	METAL CHIP	1K	5%	1/10W	R1495	1-216-825-11	METAL CHIP	2.2K	5%	1/10W
R1424	1-216-833-11	METAL CHIP	1K	5%	1/10W	R1496	1-216-825-11	METAL CHIP	2.2K	5%	1/10W
R1426	1-216-809-11	METAL CHIP	100	5%	1/10W	R1497	1-216-166-00	RES-CHIP	47	5%	1/8W
R1427	1-216-809-11	METAL CHIP	100	5%	1/10W	R1498	1-216-166-00	RES-CHIP	47	5%	1/8W
R1428	1-216-809-11	METAL CHIP	100	5%	1/10W	△R1499	1-249-393-11	CARBON	10	5%	1/4W F
R1429	1-216-809-11	METAL CHIP	100	5%	1/10W	R1500	1-216-825-11	METAL CHIP	2.2K	5%	1/10W
R1431	1-216-809-11	METAL CHIP	100	5%	1/10W	R1501	1-216-833-11	METAL CHIP	1K	5%	1/10W
R1432	1-216-809-11	METAL CHIP	100	5%	1/10W	R1511	1-216-815-11	METAL CHIP	330	5%	1/10W
R1433	1-216-809-11	METAL CHIP	100	5%	1/10W	R1512	1-216-815-11	METAL CHIP	330	5%	1/10W
R1434	1-216-809-11	METAL CHIP	100	5%	1/10W	R1513	1-216-815-11	METAL CHIP	330	5%	1/10W
R1436	1-216-833-11	METAL CHIP	1K	5%	1/10W	R1514	1-216-815-11	METAL CHIP	330	5%	1/10W
R1437	1-216-833-11	METAL CHIP	1K	5%	1/10W	R1515	1-216-815-11	METAL CHIP	330	5%	1/10W
R1438	1-216-833-11	METAL CHIP	1K	5%	1/10W	R1516	1-216-815-11	METAL CHIP	330	5%	1/10W
R1439	1-216-833-11	METAL CHIP	1K	5%	1/10W	R1517	1-216-815-11	METAL CHIP	330	5%	1/10W (US, CND)
R1440	1-216-864-11	SHORT CHIP	0			R1521	1-216-815-11	METAL CHIP	330	5%	1/10W
R1441	1-216-809-11	METAL CHIP	100	5%	1/10W	R1522	1-216-815-11	METAL CHIP	330	5%	1/10W
R1442	1-216-809-11	METAL CHIP	100	5%	1/10W	R1523	1-216-815-11	METAL CHIP	330	5%	1/10W
R1443	1-216-809-11	METAL CHIP	100	5%	1/10W	R1524	1-216-815-11	METAL CHIP	330	5%	1/10W
R1444	1-216-809-11	METAL CHIP	100	5%	1/10W	R1525	1-216-815-11	METAL CHIP	330	5%	1/10W
R1445	1-216-864-11	SHORT CHIP	0 (EXCEPT US, CND)			R1526	1-216-815-11	METAL CHIP	330	5%	1/10W
R1451	1-216-809-11	METAL CHIP	100	5%	1/10W	R1527	1-216-815-11	METAL CHIP	330	5%	1/10W (US, CND)
R1452	1-216-809-11	METAL CHIP	100	5%	1/10W	R1531	1-216-815-11	METAL CHIP	330	5%	1/10W
R1453	1-216-809-11	METAL CHIP	100	5%	1/10W	R1532	1-216-815-11	METAL CHIP	330	5%	1/10W
R1454	1-216-809-11	METAL CHIP	100	5%	1/10W	R1533	1-216-815-11	METAL CHIP	330	5%	1/10W
R1456	1-216-833-11	METAL CHIP	1K	5%	1/10W	R1534	1-216-815-11	METAL CHIP	330	5%	1/10W
R1457	1-216-833-11	METAL CHIP	1K	5%	1/10W	R1535	1-216-815-11	METAL CHIP	330	5%	1/10W
R1458	1-216-833-11	METAL CHIP	1K	5%	1/10W	R1536	1-216-815-11	METAL CHIP	330	5%	1/10W
R1459	1-216-833-11	METAL CHIP	1K	5%	1/10W	R1537	1-216-815-11	METAL CHIP	330	5%	1/10W (US, CND)
R1461	1-216-813-11	METAL CHIP	220	5%	1/10W	R1541	1-216-815-11	METAL CHIP	330	5%	1/10W
R1462	1-216-813-11	METAL CHIP	220	5%	1/10W	R1542	1-216-815-11	METAL CHIP	330	5%	1/10W
R1463	1-216-813-11	METAL CHIP	220	5%	1/10W	R1543	1-216-815-11	METAL CHIP	330	5%	1/10W
R1464	1-216-813-11	METAL CHIP	220	5%	1/10W	R1544	1-216-815-11	METAL CHIP	330	5%	1/10W
R1471	1-216-182-00	RES-CHIP	220	2%	1/8W (EXCEPT AEP)	R1545	1-216-815-11	METAL CHIP	330	5%	1/10W
R1471	1-259-987-11	CARBON MELF	220	2%	1/8W (AEP)	R1546	1-216-815-11	METAL CHIP	330	5%	1/10W
R1472	1-208-854-11	METAL CHIP	1M	0.5%	1/10W (EXCEPT AEP)	R1547	1-216-815-11	METAL CHIP	330	5%	1/10W (US, CND)
R1472	1-260-032-11	CARBON MELF	1M	2%	1/8W (AEP)	R1551	1-216-805-11	METAL CHIP	47	5%	1/10W
R1476	1-216-833-11	METAL CHIP	1K	5%	1/10W	R1552	1-216-805-11	METAL CHIP	47	5%	1/10W
R1477	1-216-833-11	METAL CHIP	1K	5%	1/10W	R1553	1-216-805-11	METAL CHIP	47	5%	1/10W
R1478	1-216-833-11	METAL CHIP	1K	5%	1/10W	R1554	1-216-805-11	METAL CHIP	47	5%	1/10W
R1479	1-216-833-11	METAL CHIP	1K	5%	1/10W	R1555	1-216-805-11	METAL CHIP	47	5%	1/10W
R1480	1-216-827-11	METAL CHIP	3.3K	5%	1/10W	R1556	1-216-805-11	METAL CHIP	47	5%	1/10W
R1481	1-216-833-11	METAL CHIP	1K	5%	1/10W	R1557	1-216-805-11	METAL CHIP	47	5%	1/10W (US, CND)
R1482	1-216-833-11	METAL CHIP	1K	5%	1/10W	R1561	1-216-805-11	METAL CHIP	47	5%	1/10W
R1483	1-216-833-11	METAL CHIP	1K	5%	1/10W	R1562	1-216-805-11	METAL CHIP	47	5%	1/10W
R1484	1-216-833-11	METAL CHIP	1K	5%	1/10W	R1563	1-216-805-11	METAL CHIP	47	5%	1/10W
R1485	1-216-837-11	METAL CHIP	22K	5%	1/10W						

The components identified by mark △ or dotted line with mark △ are critical for safety. Replace only with part number specified.

Les composants identifiés par une marque △ sont critiques pour la sécurité. Ne les remplacer que par une pièce portant le numéro spécifié.

STR-DA3000ES

Ver. 1.2

D-AMP

Ref. No.	Part No.	Description	Remark	Ref. No.	Part No.	Description	Remark
R1564	1-216-805-11	METAL CHIP	47 5% 1/10W	R1673	1-216-864-11	SHORT CHIP	0
R1565	1-216-805-11	METAL CHIP	47 5% 1/10W	R1674	1-216-864-11	SHORT CHIP	0
R1566	1-216-805-11	METAL CHIP	47 5% 1/10W	R1675	1-216-864-11	SHORT CHIP	0
R1567	1-216-805-11	METAL CHIP	47 5% 1/10W (US, CND)	R1676	1-216-864-11	SHORT CHIP	0
R1571	1-216-805-11	METAL CHIP	47 5% 1/10W	R1677	1-216-864-11	SHORT CHIP	0 (US, CND)
R1572	1-216-805-11	METAL CHIP	47 5% 1/10W	R1680	1-216-821-11	METAL CHIP	1K 5% 1/10W
R1573	1-216-805-11	METAL CHIP	47 5% 1/10W	R1681	1-216-864-11	SHORT CHIP	0
R1574	1-216-805-11	METAL CHIP	47 5% 1/10W	R1682	1-216-864-11	SHORT CHIP	0
R1575	1-216-805-11	METAL CHIP	47 5% 1/10W	R1683	1-216-864-11	SHORT CHIP	0
R1576	1-216-805-11	METAL CHIP	47 5% 1/10W	R1684	1-216-864-11	SHORT CHIP	0
R1577	1-216-805-11	METAL CHIP	47 5% 1/10W (US, CND)	R1685	1-216-864-11	SHORT CHIP	0
R1581	1-216-805-11	METAL CHIP	47 5% 1/10W	R1686	1-216-864-11	SHORT CHIP	0
R1582	1-216-805-11	METAL CHIP	47 5% 1/10W	R1687	1-216-864-11	SHORT CHIP	0 (US, CND)
R1583	1-216-805-11	METAL CHIP	47 5% 1/10W	R1688	1-216-833-11	METAL CHIP	1K 5% 1/10W
R1584	1-216-805-11	METAL CHIP	47 5% 1/10W	△R1689	1-249-393-11	CARBON	10 5% 1/4W F
R1585	1-216-805-11	METAL CHIP	47 5% 1/10W	R1690	1-216-821-11	METAL CHIP	1K 5% 1/10W
R1586	1-216-805-11	METAL CHIP	47 5% 1/10W	R1698	1-216-833-11	METAL CHIP	1K 5% 1/10W
R1587	1-216-805-11	METAL CHIP	47 5% 1/10W (US, CND)	△R1699	1-249-393-11	CARBON	10 5% 1/4W F
R1610	1-216-816-11	METAL CHIP	390 5% 1/10W	R1701	1-216-833-11	METAL CHIP	1K 5% 1/10W
R1620	1-216-816-11	METAL CHIP	390 5% 1/10W	R1702	1-216-833-11	METAL CHIP	1K 5% 1/10W
R1630	1-216-816-11	METAL CHIP	390 5% 1/10W	R1703	1-216-833-11	METAL CHIP	1K 5% 1/10W
R1631	1-219-796-11	RES-CHIP	0.025 1% 1W	R1704	1-216-833-11	METAL CHIP	1K 5% 1/10W
R1632	1-219-796-11	RES-CHIP	0.025 1% 1W	R1705	1-216-833-11	METAL CHIP	1K 5% 1/10W
R1633	1-219-796-11	RES-CHIP	0.025 1% 1W	R1706	1-216-833-11	METAL CHIP	1K 5% 1/10W
R1634	1-219-796-11	RES-CHIP	0.025 1% 1W	R1707	1-216-833-11	METAL CHIP	1K 5% 1/10W (US, CND)
R1635	1-219-796-11	RES-CHIP	0.025 1% 1W	R1711	1-216-815-11	METAL CHIP	330 5% 1/10W
R1636	1-219-796-11	RES-CHIP	0.025 1% 1W	R1712	1-216-815-11	METAL CHIP	330 5% 1/10W
R1637	1-219-796-11	RES-CHIP	0.025 1% 1W	R1713	1-216-815-11	METAL CHIP	330 5% 1/10W
R1640	1-216-816-11	METAL CHIP	390 5% 1/10W	R1714	1-216-815-11	METAL CHIP	330 5% 1/10W
R1641	1-219-796-11	RES-CHIP	0.025 1% 1W	R1715	1-216-815-11	METAL CHIP	330 5% 1/10W
R1642	1-219-796-11	RES-CHIP	0.025 1% 1W	R1716	1-216-815-11	METAL CHIP	330 5% 1/10W
R1643	1-219-796-11	RES-CHIP	0.025 1% 1W	R1717	1-216-815-11	METAL CHIP	330 5% 1/10W (US, CND)
R1644	1-219-796-11	RES-CHIP	0.025 1% 1W	R1731	1-216-849-11	METAL CHIP	220K 5% 1/10W
R1645	1-219-796-11	RES-CHIP	0.025 1% 1W	R1732	1-216-849-11	METAL CHIP	220K 5% 1/10W
R1646	1-219-796-11	RES-CHIP	0.025 1% 1W	R1733	1-216-849-11	METAL CHIP	220K 5% 1/10W
R1647	1-219-796-11	RES-CHIP	0.025 1% 1W	R1734	1-216-849-11	METAL CHIP	220K 5% 1/10W
R1650	1-216-816-11	METAL CHIP	390 5% 1/10W	R1735	1-216-849-11	METAL CHIP	220K 5% 1/10W
R1651	1-216-864-11	SHORT CHIP	0	R1736	1-216-849-11	METAL CHIP	220K 5% 1/10W
R1652	1-216-864-11	SHORT CHIP	0	R1737	1-216-849-11	METAL CHIP	220K 5% 1/10W (US, CND)
R1653	1-216-864-11	SHORT CHIP	0	R1741	1-216-849-11	METAL CHIP	220K 5% 1/10W
R1654	1-216-864-11	SHORT CHIP	0	R1742	1-216-849-11	METAL CHIP	220K 5% 1/10W
R1655	1-216-864-11	SHORT CHIP	0	R1743	1-216-849-11	METAL CHIP	220K 5% 1/10W
R1656	1-216-864-11	SHORT CHIP	0	R1744	1-216-849-11	METAL CHIP	220K 5% 1/10W
R1657	1-216-864-11	SHORT CHIP	0 (US, CND)	R1745	1-216-849-11	METAL CHIP	220K 5% 1/10W
R1660	1-216-816-11	METAL CHIP	390 5% 1/10W (US, CND)	R1746	1-216-849-11	METAL CHIP	220K 5% 1/10W
R1661	1-216-864-11	SHORT CHIP	0	R1747	1-216-849-11	METAL CHIP	220K 5% 1/10W (US, CND)
R1662	1-216-864-11	SHORT CHIP	0	R1751	1-216-844-11	METAL CHIP	82K 5% 1/10W
R1663	1-216-864-11	SHORT CHIP	0	R1752	1-216-844-11	METAL CHIP	82K 5% 1/10W
R1664	1-216-864-11	SHORT CHIP	0	R1753	1-216-844-11	METAL CHIP	82K 5% 1/10W
R1665	1-216-864-11	SHORT CHIP	0	R1754	1-216-844-11	METAL CHIP	82K 5% 1/10W
R1666	1-216-864-11	SHORT CHIP	0	R1755	1-216-844-11	METAL CHIP	82K 5% 1/10W
R1667	1-216-864-11	SHORT CHIP	0 (US, CND)	R1756	1-216-844-11	METAL CHIP	82K 5% 1/10W
R1671	1-216-864-11	SHORT CHIP	0	R1757	1-216-844-11	METAL CHIP	82K 5% 1/10W (US, CND)
R1672	1-216-864-11	SHORT CHIP	0	R1761	1-216-829-11	METAL CHIP	4.7K 5% 1/10W

The components identified by mark △ or dotted line with mark △ are critical for safety. Replace only with part number specified.

Les composants identifiés par une marque △ sont critiques pour la sécurité. Ne les remplacer que par une pièce portant le numéro spécifié.

D-AMP

Ref. No.	Part No.	Description	Remark			Ref. No.	Part No.	Description	Remark		
R1762	1-216-829-11	METAL CHIP	4.7K	5%	1/10W	R1835	1-216-833-11	METAL CHIP	1K	5%	1/10W
R1763	1-216-829-11	METAL CHIP	4.7K	5%	1/10W	R1836	1-216-833-11	METAL CHIP	1K	5%	1/10W
R1764	1-216-829-11	METAL CHIP	4.7K	5%	1/10W	R1839	1-216-833-11	METAL CHIP	1K	5%	1/10W
R1765	1-216-829-11	METAL CHIP	4.7K	5%	1/10W	R1842	1-216-864-11	SHORT CHIP	0		
R1766	1-216-829-11	METAL CHIP	4.7K	5%	1/10W	R1847	1-216-809-11	METAL CHIP	100	5%	1/10W
					(US, CND)	R1848	1-216-809-11	METAL CHIP	100	5%	1/10W
R1771	1-216-835-11	METAL CHIP	15K	5%	1/10W	R1849	1-216-821-11	METAL CHIP	1K	5%	1/10W
R1772	1-216-835-11	METAL CHIP	15K	5%	1/10W	R1850	1-216-833-11	METAL CHIP	1K	5%	1/10W
R1773	1-216-835-11	METAL CHIP	15K	5%	1/10W	△R1889	1-215-921-11	METAL OXIDE	4.7K	5%	3W F
R1774	1-216-835-11	METAL CHIP	15K	5%	1/10W	R1890	1-216-833-11	METAL CHIP	1K	5%	1/10W
R1775	1-216-835-11	METAL CHIP	15K	5%	1/10W	R1891	1-216-833-11	METAL CHIP	1K	5%	1/10W
R1776	1-216-835-11	METAL CHIP	15K	5%	1/10W	R1892	1-216-857-11	METAL CHIP	1M	5%	1/10W
					(US, CND)	R1893	1-216-809-11	METAL CHIP	100	5%	1/10W
R1781	1-216-803-11	METAL CHIP	33	5%	1/10W	R1894	1-216-833-11	METAL CHIP	1K	5%	1/10W
R1782	1-216-803-11	METAL CHIP	33	5%	1/10W	R1895	1-216-857-11	METAL CHIP	1M	5%	1/10W
R1783	1-216-803-11	METAL CHIP	33	5%	1/10W	R1896	1-216-821-11	METAL CHIP	1K	5%	1/10W
R1784	1-216-803-11	METAL CHIP	33	5%	1/10W						
R1785	1-216-803-11	METAL CHIP	33	5%	1/10W	R1897	1-216-864-11	SHORT CHIP	0		
R1786	1-216-803-11	METAL CHIP	33	5%	1/10W	R1899	1-216-864-11	SHORT CHIP	0		
					(US, CND)	R1901	1-216-845-11	METAL CHIP	100K	5%	1/10W
R1791	1-216-828-11	METAL CHIP	3.9K	5%	1/10W	R1902	1-216-845-11	METAL CHIP	100K	5%	1/10W
R1792	1-216-828-11	METAL CHIP	3.9K	5%	1/10W	R1903	1-216-845-11	METAL CHIP	100K	5%	1/10W
R1793	1-216-828-11	METAL CHIP	3.9K	5%	1/10W						
R1794	1-216-828-11	METAL CHIP	3.9K	5%	1/10W	R1904	1-216-845-11	METAL CHIP	100K	5%	1/10W
R1795	1-216-828-11	METAL CHIP	3.9K	5%	1/10W	R1905	1-216-845-11	METAL CHIP	100K	5%	1/10W
R1796	1-216-828-11	METAL CHIP	3.9K	5%	1/10W	R1906	1-216-845-11	METAL CHIP	100K	5%	1/10W
					(US, CND)	R1907	1-216-845-11	METAL CHIP	100K	5%	1/10W
R1800	1-216-809-11	METAL CHIP	100	5%	1/10W	R1908	1-216-845-11	METAL CHIP	100K	5%	1/10W
R1801	1-216-809-11	METAL CHIP	100	5%	1/10W						
R1802	1-216-809-11	METAL CHIP	100	5%	1/10W	R1911	1-216-845-11	METAL CHIP	100K	5%	1/10W
R1803	1-216-833-11	METAL CHIP	1K	5%	1/10W	R1912	1-216-845-11	METAL CHIP	100K	5%	1/10W
R1804	1-216-833-11	METAL CHIP	1K	5%	1/10W	R1913	1-216-845-11	METAL CHIP	100K	5%	1/10W
R1805	1-216-864-11	SHORT CHIP	0			R1915	1-216-845-11	METAL CHIP	100K	5%	1/10W
R1806	1-216-809-11	METAL CHIP	100	5%	1/10W	R1916	1-216-845-11	METAL CHIP	100K	5%	1/10W
R1807	1-216-833-11	METAL CHIP	1K	5%	1/10W						
R1808	1-216-833-11	METAL CHIP	1K	5%	1/10W	R1917	1-216-845-11	METAL CHIP	100K	5%	1/10W
R1809	1-216-833-11	METAL CHIP	1K	5%	1/10W	R1918	1-216-845-11	METAL CHIP	100K	5%	1/10W
R1810	1-216-833-11	METAL CHIP	1K	5%	1/10W						(US, CND)
R1811	1-216-809-11	METAL CHIP	100	5%	1/10W	R1921	1-216-833-11	METAL CHIP	1K	5%	1/10W
R1812	1-216-809-11	METAL CHIP	100	5%	1/10W	R1922	1-216-833-11	METAL CHIP	1K	5%	1/10W
R1813	1-216-809-11	METAL CHIP	100	5%	1/10W	R1923	1-216-833-11	METAL CHIP	1K	5%	1/10W
R1814	1-216-809-11	METAL CHIP	100	5%	1/10W						
R1815	1-216-833-11	METAL CHIP	1K	5%	1/10W	R1924	1-216-833-11	METAL CHIP	1K	5%	1/10W
R1816	1-216-809-11	METAL CHIP	100	5%	1/10W	R1925	1-216-833-11	METAL CHIP	1K	5%	1/10W
R1817	1-216-833-11	METAL CHIP	1K	5%	1/10W	R1926	1-216-833-11	METAL CHIP	1K	5%	1/10W
R1818	1-216-809-11	METAL CHIP	100	5%	1/10W	R1927	1-216-833-11	METAL CHIP	1K	5%	1/10W
R1819	1-216-833-11	METAL CHIP	1K	5%	1/10W	R1928	1-216-833-11	METAL CHIP	1K	5%	1/10W
R1822	1-216-809-11	METAL CHIP	100	5%	1/10W						
R1823	1-216-833-11	METAL CHIP	1K	5%	1/10W	R1931	1-216-833-11	METAL CHIP	1K	5%	1/10W
R1824	1-216-809-11	METAL CHIP	100	5%	1/10W	R1932	1-216-833-11	METAL CHIP	1K	5%	1/10W
R1825	1-216-833-11	METAL CHIP	1K	5%	1/10W	R1933	1-216-833-11	METAL CHIP	1K	5%	1/10W
R1826	1-216-809-11	METAL CHIP	100	5%	1/10W	R1935	1-216-833-11	METAL CHIP	1K	5%	1/10W
R1827	1-216-833-11	METAL CHIP	1K	5%	1/10W	R1936	1-216-833-11	METAL CHIP	1K	5%	1/10W
R1828	1-216-809-11	METAL CHIP	100	5%	1/10W						
R1829	1-216-833-11	METAL CHIP	1K	5%	1/10W	R1937	1-216-833-11	METAL CHIP	1K	5%	1/10W
R1830	1-216-809-11	METAL CHIP	100	5%	1/10W	R1938	1-216-833-11	METAL CHIP	1K	5%	1/10W
R1831	1-216-809-11	METAL CHIP	100	5%	1/10W						(US, CND)
R1833	1-216-864-11	SHORT CHIP	0			R1941	1-216-845-11	METAL CHIP	100K	5%	1/10W
						R1942	1-216-845-11	METAL CHIP	100K	5%	1/10W
						R1943	1-216-805-11	METAL CHIP	47	5%	1/10W
						R1944	1-216-845-11	METAL CHIP	100K	5%	1/10W
						R1945	1-216-845-11	METAL CHIP	100K	5%	1/10W
						R1946	1-216-845-11	METAL CHIP	100K	5%	1/10W
						R1947	1-216-845-11	METAL CHIP	100K	5%	1/10W
						R1952	1-216-809-11	METAL CHIP	100	5%	1/10W

The components identified by mark △ or dotted line with mark △ are critical for safety. Replace only with part number specified.

Les composants identifiés par une marque △ sont critiques pour la sécurité. Ne les remplacer que par une pièce portant le numéro spécifié.

STR-DA3000ES

D-AMP DIGITAL

Ref. No.	Part No.	Description	Remark
R1953	1-216-809-11	METAL CHIP	100 5% 1/10W
R1954	1-216-809-11	METAL CHIP	100 5% 1/10W
R1955	1-216-809-11	METAL CHIP	100 5% 1/10W
R1956	1-216-809-11	METAL CHIP	100 5% 1/10W
R1957	1-216-809-11	METAL CHIP	100 5% 1/10W
R1970	1-216-809-11	METAL CHIP	100 5% 1/10W
R1971	1-216-809-11	METAL CHIP	100 5% 1/10W
R1972	1-216-809-11	METAL CHIP	100 5% 1/10W
R1980	1-216-809-11	METAL CHIP	100 5% 1/10W
R1981	1-216-809-11	METAL CHIP	100 5% 1/10W
R1982	1-216-809-11	METAL CHIP	100 5% 1/10W
R1983	1-216-809-11	METAL CHIP	100 5% 1/10W
R1984	1-216-809-11	METAL CHIP	100 5% 1/10W
R1985	1-216-809-11	METAL CHIP	100 5% 1/10W
R1986	1-216-809-11	METAL CHIP	100 5% 1/10W
R1987	1-216-809-11	METAL CHIP	100 5% 1/10W
R1988	1-216-864-11	SHORT CHIP	0
R1989	1-216-864-11	SHORT CHIP	0
R1991	1-216-833-11	METAL CHIP	1K 5% 1/10W
R1992	1-216-833-11	METAL CHIP	1K 5% 1/10W
R1993	1-216-809-11	METAL CHIP	100 5% 1/10W
R1994	1-216-833-11	METAL CHIP	1K 5% 1/10W
R1995	1-216-833-11	METAL CHIP	1K 5% 1/10W
R1996	1-216-833-11	METAL CHIP	1K 5% 1/10W
R1997	1-216-833-11	METAL CHIP	1K 5% 1/10W
R2852	1-216-825-11	METAL CHIP	2.2K 5% 1/10W (EXCEPT US, CND)
R2853	1-216-833-11	METAL CHIP	1K 5% 1/10W (EXCEPT US, CND)
△R2854	1-249-393-11	CARBON	10 5% 1/4W F (EXCEPT US, CND)
R2868	1-216-013-00	RES-CHIP	33 5% 1/10W (EXCEPT US, CND)
R2887	1-208-782-11	METAL CHIP	1K 0.5% 1/10W (TW, KR)
R2887	1-259-995-11	CARBON MELF	1K 2% 1/8W (AEP)
R2888	1-216-013-00	RES-CHIP	33 5% 1/10W (EXCEPT US, CND)
R2889	1-216-246-00	RES-CHIP	100K 2% 1/8W (TW, KR)
R2889	1-260-020-11	CARBON MELF	100K 2% 1/8W (AEP)
R2890	1-216-246-00	RES-CHIP	100K 2% 1/8W (TW, KR)
R2890	1-260-020-11	CARBON MELF	100K 2% 1/8W (AEP)
R2891	1-216-214-00	RES-CHIP	4.7K 2% 1/8W (TW, KR)
R2891	1-260-004-11	CARBON MELF	4.7K 2% 1/8W (AEP)
R2892	1-216-174-00	RES-CHIP	100 2% 1/8W (TW, KR)
R2892	1-259-983-11	CARBON MELF	100 2% 1/8W (AEP)
R2893	1-208-782-11	METAL CHIP	1K 0.5% 1/10W (TW, KR)
R2893	1-259-995-11	CARBON MELF	1K 2% 1/8W (AEP)

Ref. No.	Part No.	Description	Remark
< RELAY >			
RY1480	1-755-486-11	RELAY	
RY1680	1-755-500-11	RELAY	
RY1690	1-755-500-11	RELAY	
RY2851	1-755-486-11	RELAY (EXCEPT US, CND)	
< THERMISTOR >			
TH1791	1-810-641-21	CHIP, THERMISTOR	
TH1792	1-810-641-21	CHIP, THERMISTOR	
TH1793	1-810-641-21	CHIP, THERMISTOR	
TH1794	1-810-641-21	CHIP, THERMISTOR	
TH1795	1-810-641-21	CHIP, THERMISTOR	
TH1796	1-810-641-21	CHIP, THERMISTOR (US, CND)	
< TERMINAL >			
TM1710	1-780-024-11	TERMINAL BOARD (SP) (8P) (FRONT SPEAKERS IMPEDANCE USE 4-160) (US, CND)	
TM1710	1-780-024-21	TERMINAL BOARD (SP) (8P) (FRONT SPEAKERS IMPEDANCE USE 4-160) (EXCEPT US, CND)	
TM1730	1-694-992-11	TERMINAL BOARD (SP) (2P) (CENTER SPEAKERS IMPEDANCE USE 4-160) (US, CND)	
TM1730	1-780-025-21	TERMINAL BOARD (SP) (2P) (CENTER SPEAKERS IMPEDANCE USE 4-160) (EXCEPT US, CND)	
TM1740	1-694-992-11	TERMINAL BOARD (SP) (2P) (SURROUND SPEAKERS IMPEDANCE USE 4-160) (US, CND)	
TM1740	1-780-025-21	TERMINAL BOARD (SP) (2P) (SURROUND SPEAKERS IMPEDANCE USE 4-160) (EXCEPT US, CND)	
TM1750	1-694-992-11	TERMINAL BOARD (SP) (2P) (SURROUND SPEAKERS IMPEDANCE USE 4-160) (US, CND)	
TM1750	1-780-025-21	TERMINAL BOARD (SP) (2P) (SURROUND SPEAKERS IMPEDANCE USE 4-160) (EXCEPT US, CND)	
TM1760	1-694-992-11	TERMINAL BOARD (SP) (2P) (SURROUND BACK SPEAKERS IMPEDANCE USE 4-160) (US, CND)	
TM1760	1-780-025-21	TERMINAL BOARD (SP) (2P) (SURROUND BACK SPEAKERS IMPEDANCE USE 4-160) (EXCEPT US, CND)	
TM1770	1-694-992-11	TERMINAL BOARD (SP) (2P) (SURROUND BACK SPEAKERS IMPEDANCE USE 4-160) (US, CND)	
< VIBRATOR >			
X1471	1-795-660-21	QUARTZ CRYSTAL UNIT (49.125MHz)	
X1800	1-579-952-21	VIBRATOR, CERAMIC (8MHz)	

A-4734-135-A		DIGITAL BOARD, COMPLETE (US, CND)	
A-4734-149-A		DIGITAL BOARD, COMPLETE (TW, KR)	
A-4734-166-A		DIGITAL BOARD, COMPLETE (AEP)	

< CAPACITOR >			
C2000	1-165-319-11	CERAMIC CHIP 0.1uF	50V

The components identified by mark △ or dotted line with mark △ are critical for safety. Replace only with part number specified.	Les composants identifiés par une marque △ sont critiques pour la sécurité. Ne les remplacer que par une pièce portant le numéro spécifié.
--	--

DIGITAL

Ref. No.	Part No.	Description		Remark	Ref. No.	Part No.	Description		Remark
C2001	1-165-319-11	CERAMIC CHIP	0.1uF	50V					(TW, KR)
C2002	1-165-319-11	CERAMIC CHIP	0.1uF	50V					
C2003	1-165-319-11	CERAMIC CHIP	0.1uF	50V					
C2004	1-165-319-11	CERAMIC CHIP	0.1uF	50V					
C2005	1-165-319-11	CERAMIC CHIP	0.1uF	50V					
C2006	1-165-319-11	CERAMIC CHIP	0.1uF	50V					
C2011	1-119-799-11	ELECT	47uF	20%					
C2011	1-128-840-11	ELECT	47uF	20%					(AEP)
C2011	1-135-708-91	ELECT	47uF						(US, CND)
C2012	1-165-319-11	CERAMIC CHIP	0.1uF	50V					
C2013	1-119-836-31	ELECT	47uF	20%					
C2013	1-128-871-91	ELECT	47uF	20%					(AEP)
C2013	1-135-770-91	ELECT	47uF						(US, CND)
C2014	1-165-319-11	CERAMIC CHIP	0.1uF	50V					
C2015	1-119-836-31	ELECT	47uF	20%					
C2015	1-128-871-91	ELECT	47uF	20%					(AEP)
C2015	1-135-770-91	ELECT	47uF						(US, CND)
C2016	1-165-319-11	CERAMIC CHIP	0.1uF	50V					
C2017	1-165-319-11	CERAMIC CHIP	0.1uF	50V					
C2018	1-125-890-11	ELECT	1000uF	20%					
C2018	1-135-656-91	ELECT	1000uF						(AEP)
C2018	1-137-658-91	ELECT	1000uF	20%					(US, CND)
C2020	1-165-319-11	CERAMIC CHIP	0.1uF	50V					
C2022	1-163-243-11	CERAMIC CHIP	47PF	5%					
C2024	1-165-319-11	CERAMIC CHIP	0.1uF	50V					
C2026	1-119-824-31	ELECT	10uF	20%					
C2026	1-119-824-11	ELECT	10uF	20%					(AEP)
C2026	1-135-743-11	ELECT	10uF						(US, CND)
C2027	1-165-319-11	CERAMIC CHIP	0.1uF	50V					
C2028	1-165-319-11	CERAMIC CHIP	0.1uF	50V					
C2029	1-119-824-31	ELECT	10uF	20%					
C2029	1-119-824-11	ELECT	10uF	20%					(AEP)
C2029	1-135-743-11	ELECT	10uF						(US, CND)
C2030	1-119-824-31	ELECT	10uF	20%					
C2030	1-119-824-11	ELECT	10uF	20%					(AEP)
C2030	1-135-743-11	ELECT	10uF						(US, CND)
C2031	1-119-823-11	ELECT	4.7uF	20%					
C2031	1-119-823-11	ELECT	4.7uF	20%					(AEP)
C2031	1-135-742-91	ELECT	4.7uF						(US, CND)
C2032	1-165-319-11	CERAMIC CHIP	0.1uF	50V					
C2033	1-165-319-11	CERAMIC CHIP	0.1uF	50V					
C2034	1-119-824-31	ELECT	10uF	20%					
C2034	1-119-824-11	ELECT	10uF	20%					(AEP)
C2034	1-135-743-11	ELECT	10uF						(US, CND)
C2035	1-165-319-11	CERAMIC CHIP	0.1uF	50V					
C2036	1-119-824-31	ELECT	10uF	20%					
C2036	1-119-824-11	ELECT	10uF	20%					(AEP)
C2036	1-135-743-11	ELECT	10uF						(US, CND)
C2037	1-165-319-11	CERAMIC CHIP	0.1uF	50V					
C2038	1-119-824-31	ELECT	10uF	20%					
C2038	1-119-824-11	ELECT	10uF	20%					(AEP)
C2038	1-135-743-11	ELECT	10uF						(US, CND)
C2039	1-165-319-11	CERAMIC CHIP	0.1uF	50V					
C2040	1-165-319-11	CERAMIC CHIP	0.1uF	50V					
C2041	1-165-319-11	CERAMIC CHIP	0.1uF	50V					
C2042	1-165-319-11	CERAMIC CHIP	0.1uF	50V					
C2043	1-119-824-31	ELECT	10uF	20%					
C2043	1-119-824-11	ELECT	10uF	20%					(AEP)
C2043	1-135-743-11	ELECT	10uF						(US, CND)
C2044	1-165-319-11	CERAMIC CHIP	0.1uF	50V					
C2045	1-119-824-31	ELECT	10uF	20%					
C2045	1-119-824-11	ELECT	10uF	20%					(AEP)
C2045	1-135-743-11	ELECT	10uF						(US, CND)
C2046	1-165-319-11	CERAMIC CHIP	0.1uF	50V					
C2047	1-165-319-11	CERAMIC CHIP	0.1uF	50V					
C2048	1-119-824-31	ELECT	10uF	20%					
C2048	1-119-824-11	ELECT	10uF	20%					(AEP)
C2048	1-135-743-11	ELECT	10uF						(US, CND)
C2049	1-165-319-11	CERAMIC CHIP	0.1uF	50V					
C2050	1-119-824-31	ELECT	10uF	20%					
C2050	1-119-824-11	ELECT	10uF	20%					(AEP)
C2050	1-135-743-11	ELECT	10uF						(US, CND)
C2051	1-165-319-11	CERAMIC CHIP	0.1uF	50V					
C2052	1-165-319-11	CERAMIC CHIP	0.1uF	50V					
C2053	1-165-319-11	CERAMIC CHIP	0.1uF	50V					
C2054	1-119-824-31	ELECT	10uF	20%					
									(AEP)

STR-DA3000ES

DIGITAL

Ref. No.	Part No.	Description	Remark	Ref. No.	Part No.	Description	Remark
C2054	1-119-824-11	ELECT	10uF 20% 50V (US, CND)	C2076	1-119-824-11	ELECT	10uF 20% 50V (US, CND)
C2054	1-135-743-11	ELECT	10uF 50V (TW, KR)	C2076	1-135-743-11	ELECT	10uF 50V (TW, KR)
C2055	1-165-319-11	CERAMIC CHIP	0.1uF 50V	C2077	1-165-319-11	CERAMIC CHIP	0.1uF 50V
C2056	1-119-824-31	ELECT	10uF 20% 50V (AEP)	C2078	1-119-824-31	ELECT	10uF 20% 50V (AEP)
C2056	1-119-824-11	ELECT	10uF 20% 50V (US, CND)	C2078	1-119-824-11	ELECT	10uF 20% 50V (US, CND)
C2056	1-135-743-11	ELECT	10uF 50V (TW, KR)	C2078	1-135-743-11	ELECT	10uF 50V (TW, KR)
C2057	1-165-319-11	CERAMIC CHIP	0.1uF 50V	C2079	1-165-319-11	CERAMIC CHIP	0.1uF 50V
C2058	1-165-319-11	CERAMIC CHIP	0.1uF 50V	C2080	1-165-319-11	CERAMIC CHIP	0.1uF 50V
C2059	1-119-824-31	ELECT	10uF 20% 50V (AEP)	C2090	1-163-037-11	CERAMIC CHIP	0.022uF 10% 50V
C2059	1-119-824-11	ELECT	10uF 20% 50V (US, CND)	C2091	1-163-037-11	CERAMIC CHIP	0.022uF 10% 50V
C2059	1-135-743-11	ELECT	10uF 50V (TW, KR)	C2092	1-163-037-11	CERAMIC CHIP	0.022uF 10% 50V
C2060	1-165-319-11	CERAMIC CHIP	0.1uF 50V	C2093	1-163-037-11	CERAMIC CHIP	0.022uF 10% 50V
C2061	1-119-824-31	ELECT	10uF 20% 50V (AEP)	C2094	1-163-037-11	CERAMIC CHIP	0.022uF 10% 50V
C2061	1-119-824-11	ELECT	10uF 20% 50V (US, CND)	C2095	1-163-037-11	CERAMIC CHIP	0.022uF 10% 50V
C2061	1-135-743-11	ELECT	10uF 50V (TW, KR)	C2096	1-163-037-11	CERAMIC CHIP	0.022uF 10% 50V
C2062	1-165-319-11	CERAMIC CHIP	0.1uF 50V	C2097	1-163-037-11	CERAMIC CHIP	0.022uF 10% 50V
C2063	1-165-319-11	CERAMIC CHIP	0.1uF 50V	C2098	1-165-319-11	CERAMIC CHIP	0.1uF 50V
C2064	1-165-319-11	CERAMIC CHIP	0.1uF 50V	C2100	1-119-792-21	ELECT	470uF 20% 16V (AEP)
C2065	1-119-824-31	ELECT	10uF 20% 50V (AEP)	C2101	1-163-251-11	CERAMIC CHIP	100PF 5% 50V (AEP)
C2065	1-119-824-11	ELECT	10uF 20% 50V (US, CND)	C2103	1-163-251-11	CERAMIC CHIP	100PF 5% 50V
C2065	1-135-743-11	ELECT	10uF 50V (TW, KR)	C2104	1-119-792-21	ELECT	470uF 20% 16V (AEP)
C2066	1-165-319-11	CERAMIC CHIP	0.1uF 50V	C2104	1-127-720-91	ELECT	470uF 20% 16V (US, CND)
C2067	1-119-824-31	ELECT	10uF 20% 50V (AEP)	C2104	1-135-711-91	ELECT	470uF 16V (TW, KR)
C2067	1-119-824-11	ELECT	10uF 20% 50V (US, CND)	C2121	1-163-005-91	CERAMIC CHIP	470PF 10% 50V
C2067	1-135-743-11	ELECT	10uF 50V (TW, KR)	C2122	1-165-319-11	CERAMIC CHIP	0.1uF 50V
C2068	1-165-319-11	CERAMIC CHIP	0.1uF 50V	C2123	1-163-251-11	CERAMIC CHIP	100PF 5% 50V
C2069	1-165-319-11	CERAMIC CHIP	0.1uF 50V	C2124	1-119-779-11	ELECT	220uF 20% 10V (AEP)
C2070	1-119-824-31	ELECT	10uF 20% 50V (AEP)	C2124	1-128-832-11	ELECT	220uF 20% 10V (US, CND)
C2070	1-119-824-11	ELECT	10uF 20% 50V (US, CND)	C2124	1-135-667-91	ELECT	220uF 10V (TW, KR)
C2070	1-135-743-11	ELECT	10uF 50V (TW, KR)	C2126	1-125-838-11	CERAMIC CHIP	2.2uF 10% 6.3V
C2071	1-165-319-11	CERAMIC CHIP	0.1uF 50V	C2127	1-165-319-11	CERAMIC CHIP	0.1uF 50V
C2072	1-119-824-31	ELECT	10uF 20% 50V (AEP)	C2128	1-119-791-31	ELECT	330uF 20% 16V (AEP)
C2072	1-119-824-11	ELECT	10uF 20% 50V (US, CND)	C2128	1-128-846-11	ELECT	330uF 20% 25V (US, CND)
C2072	1-135-743-11	ELECT	10uF 50V (TW, KR)	C2128	1-135-724-91	ELECT	330uF 16V (TW, KR)
C2073	1-165-319-11	CERAMIC CHIP	0.1uF 50V	C2129	1-165-319-11	CERAMIC CHIP	0.1uF 50V
C2074	1-165-319-11	CERAMIC CHIP	0.1uF 50V	C2130	1-165-319-11	CERAMIC CHIP	0.1uF 50V
C2075	1-165-319-11	CERAMIC CHIP	0.1uF 50V	C2131	1-165-319-11	CERAMIC CHIP	0.1uF 50V
C2076	1-119-824-31	ELECT	10uF 20% 50V (AEP)	C2132	1-163-009-11	CERAMIC CHIP	0.001uF 10% 50V
				C2133	1-165-319-11	CERAMIC CHIP	0.1uF 50V
				C2134	1-165-319-11	CERAMIC CHIP	0.1uF 50V
				C2135	1-163-021-11	CERAMIC CHIP	0.01uF 10% 50V
				C2136	1-104-760-11	CERAMIC CHIP	0.047uF 10% 50V
				C2137	1-119-799-11	ELECT	47uF 20% 25V (AEP)

DIGITAL

Ref. No.	Part No.	Description			Remark	Ref. No.	Part No.	Description			Remark
C2137	1-128-840-11	ELECT	47uF	20%	16V (US, CND)	C2256	1-165-319-11	CERAMIC CHIP	0.1uF		50V
C2137	1-135-708-91	ELECT	47uF		16V (TW, KR)	C2257	1-165-319-11	CERAMIC CHIP	0.1uF		50V
C2138	1-165-319-11	CERAMIC CHIP	0.1uF		50V	C2258	1-165-319-11	CERAMIC CHIP	0.1uF		50V
C2139	1-119-822-11	ELECT	3.3uF	20%	50V (AEP)	C2259	1-165-319-11	CERAMIC CHIP	0.1uF		50V
C2139	1-119-822-11	ELECT	3.3uF	20%	50V (US, CND)	C2260	1-165-319-11	CERAMIC CHIP	0.1uF		50V
C2139	1-135-741-91	ELECT	3.3uF		50V (TW, KR)	C2261	1-165-319-11	CERAMIC CHIP	0.1uF		50V
C2140	1-119-825-41	ELECT	22uF	20%	50V (AEP)	C2262	1-165-319-11	CERAMIC CHIP	0.1uF		50V
C2140	1-128-858-11	ELECT	22uF	20%	50V (US, CND)	C2263	1-165-319-11	CERAMIC CHIP	0.1uF		50V
C2140	1-135-744-91	ELECT	22uF		50V (TW, KR)	C2264	1-165-319-11	CERAMIC CHIP	0.1uF		50V
C2141	1-165-319-11	CERAMIC CHIP	0.1uF		50V	C2265	1-165-319-11	CERAMIC CHIP	0.1uF		50V
C2142	1-163-229-11	CERAMIC CHIP	12PF	5%	50V	C2266	1-165-319-11	CERAMIC CHIP	0.1uF		50V
C2143	1-163-227-11	CERAMIC CHIP	10PF	0.5PF	50V	C2267	1-165-319-11	CERAMIC CHIP	0.1uF		50V
C2145	1-165-319-11	CERAMIC CHIP	0.1uF		50V	C2268	1-165-319-11	CERAMIC CHIP	0.1uF		50V
C2201	1-165-319-11	CERAMIC CHIP	0.1uF		50V	C2269	1-165-319-11	CERAMIC CHIP	0.1uF		50V
C2202	1-165-319-11	CERAMIC CHIP	0.1uF		50V	C2270	1-165-319-11	CERAMIC CHIP	0.1uF		50V
C2203	1-165-319-11	CERAMIC CHIP	0.1uF		50V	C2271	1-119-780-11	ELECT	330uF	20%	10V (AEP)
C2204	1-165-319-11	CERAMIC CHIP	0.1uF		50V	C2271	1-128-833-91	ELECT	330uF	20%	10V (US, CND)
C2205	1-165-319-11	CERAMIC CHIP	0.1uF		50V	C2271	1-128-833-11	ELECT	330uF	20%	10V (TW, KR)
C2206	1-165-319-11	CERAMIC CHIP	0.1uF		50V	C2272	1-119-792-21	ELECT	470uF	20%	16V (AEP)
C2207	1-165-319-11	CERAMIC CHIP	0.1uF		50V	C2272	1-128-834-11	ELECT	470uF	20%	10V (US, CND)
C2208	1-163-237-11	CERAMIC CHIP	27PF	5%	50V	C2272	1-135-669-11	ELECT	470uF		10V (TW, KR)
C2209	1-163-237-11	CERAMIC CHIP	27PF	5%	50V	C2274	1-165-319-11	CERAMIC CHIP	0.1uF		50V
C2210	1-165-319-11	CERAMIC CHIP	0.1uF		50V	C2307	1-119-800-11	ELECT	100uF	20%	25V (AEP)
C2211	1-165-319-11	CERAMIC CHIP	0.1uF		50V	C2307	1-127-718-91	ELECT	100uF	20%	16V (US, CND)
C2212	1-165-319-11	CERAMIC CHIP	0.1uF		50V	C2307	1-135-709-91	ELECT	100uF		16V (TW, KR)
C2213	1-165-319-11	CERAMIC CHIP	0.1uF		50V	C2310	1-165-319-11	CERAMIC CHIP	0.1uF		50V
C2215	1-165-319-11	CERAMIC CHIP	0.1uF		50V	C2401	1-165-319-11	CERAMIC CHIP	0.1uF		50V
C2216	1-165-319-11	CERAMIC CHIP	0.1uF		50V	C2402	1-165-319-11	CERAMIC CHIP	0.1uF		50V
C2219	1-165-319-11	CERAMIC CHIP	0.1uF		50V	C2403	1-165-319-11	CERAMIC CHIP	0.1uF		50V
C2220	1-165-319-11	CERAMIC CHIP	0.1uF		50V	C2404	1-165-319-11	CERAMIC CHIP	0.1uF		50V
C2221	1-119-780-11	ELECT	330uF	20%	10V (AEP)	C2405	1-119-800-11	ELECT	100uF	20%	25V (AEP)
C2221	1-128-833-91	ELECT	330uF	20%	10V (US, CND)	C2405	1-127-718-91	ELECT	100uF	20%	16V (US, CND)
C2221	1-128-833-11	ELECT	330uF	20%	10V (TW, KR)	C2405	1-135-709-91	ELECT	100uF		16V (TW, KR)
C2222	1-119-792-21	ELECT	470uF	20%	16V (AEP)	C2406	1-165-319-11	CERAMIC CHIP	0.1uF		50V
C2222	1-128-834-11	ELECT	470uF	20%	10V (US, CND)	C2426	1-165-319-11	CERAMIC CHIP	0.1uF		50V
C2222	1-135-669-11	ELECT	470uF		10V (TW, KR)	C2427	1-165-319-11	CERAMIC CHIP	0.1uF		50V
C2223	1-165-319-11	CERAMIC CHIP	0.1uF		50V	C2428	1-165-319-11	CERAMIC CHIP	0.1uF		50V
C2224	1-165-319-11	CERAMIC CHIP	0.1uF		50V	C2429	1-165-319-11	CERAMIC CHIP	0.1uF		50V
C2225	1-165-319-11	CERAMIC CHIP	0.1uF		50V	C2430	1-165-319-11	CERAMIC CHIP	0.1uF		50V
C2227	1-165-319-11	CERAMIC CHIP	0.1uF		50V	C2431	1-165-319-11	CERAMIC CHIP	0.1uF		50V
C2228	1-165-319-11	CERAMIC CHIP	0.1uF		50V	C2433	1-119-800-11	ELECT	100uF	20%	25V (AEP)
C2251	1-165-319-11	CERAMIC CHIP	0.1uF		50V	C2433	1-127-718-91	ELECT	100uF	20%	16V (US, CND)
C2252	1-165-319-11	CERAMIC CHIP	0.1uF		50V	C2433	1-135-709-91	ELECT	100uF		16V (TW, KR)
C2253	1-165-319-11	CERAMIC CHIP	0.1uF		50V	C2434	1-165-319-11	CERAMIC CHIP	0.1uF		50V
C2254	1-165-319-11	CERAMIC CHIP	0.1uF		50V	C2435	1-163-251-11	CERAMIC CHIP	100PF	5%	50V
C2255	1-165-319-11	CERAMIC CHIP	0.1uF		50V						

STR-DA3000ES

DIGITAL

Ref. No.	Part No.	Description	Remark	Ref. No.	Part No.	Description	Remark	
C2461	1-165-319-11	CERAMIC CHIP	0.1uF	50V	C2632	1-165-319-11	CERAMIC CHIP 0.1uF 50V	
C2462	1-119-824-31	ELECT	10uF	20%	50V	C2633	1-165-319-11	CERAMIC CHIP 0.1uF 50V
C2462	1-119-824-11	ELECT	10uF	20%	50V	C2634	1-119-820-31	ELECT 1uF 20% 50V
C2462	1-135-743-11	ELECT	10uF	50V	(US, CND)	C2634	1-119-820-11	ELECT 1uF 20% 50V
C2463	1-165-319-11	CERAMIC CHIP	0.1uF	50V	(TW, KR)	C2634	1-135-739-91	ELECT 1uF 50V
C2464	1-125-838-11	CERAMIC CHIP	2.2uF	10%	6.3V	C2635	1-165-319-11	CERAMIC CHIP 0.1uF 50V
C2501	1-165-319-11	CERAMIC CHIP	0.1uF	50V	C2701	1-165-319-11	CERAMIC CHIP 0.1uF 50V	
C2502	1-165-319-11	CERAMIC CHIP	0.1uF	50V	C2702	1-165-319-11	CERAMIC CHIP 0.1uF 50V	
C2503	1-165-319-11	CERAMIC CHIP	0.1uF	50V	C2703	1-163-251-11	CERAMIC CHIP 100PF 5% 50V	
C2504	1-119-800-11	ELECT	100uF	20%	25V	C2704	1-165-319-11	CERAMIC CHIP 0.1uF 50V
C2504	1-127-718-91	ELECT	100uF	20%	16V	C2705	1-165-319-11	CERAMIC CHIP 0.1uF 50V
C2504	1-135-709-91	ELECT	100uF	16V	(US, CND)	C2706	1-165-319-11	CERAMIC CHIP 0.1uF 50V
C2505	1-125-838-11	CERAMIC CHIP	2.2uF	10%	6.3V	C2707	1-163-021-11	CERAMIC CHIP 0.01uF 10% 50V
C2506	1-163-021-11	CERAMIC CHIP	0.01uF	10%	50V	C2708	1-165-319-11	CERAMIC CHIP 0.1uF 50V
C2507	1-125-838-11	CERAMIC CHIP	2.2uF	10%	6.3V	C2709	1-163-017-00	CERAMIC CHIP 0.0047uF 10% 50V
C2508	1-125-838-11	CERAMIC CHIP	2.2uF	10%	6.3V	C2710	1-119-800-11	ELECT 100uF 20% 25V
C2510	1-165-319-11	CERAMIC CHIP	0.1uF	50V	C2710	1-127-718-91	ELECT 100uF 20% 16V	
C2511	1-125-838-11	CERAMIC CHIP	2.2uF	10%	6.3V	C2710	1-135-709-91	ELECT 100uF 16V
C2529	1-165-319-11	CERAMIC CHIP	0.1uF	50V	(TW, KR)	C2711	1-165-319-11	CERAMIC CHIP 0.1uF 50V
C2602	1-163-125-00	CERAMIC CHIP	220PF	5%	50V	C2712	1-119-799-11	ELECT 47uF 20% 25V
C2603	1-165-319-11	CERAMIC CHIP	0.1uF	50V	(AEP)	C2712	1-128-840-11	ELECT 47uF 20% 16V
C2604	1-165-319-11	CERAMIC CHIP	0.1uF	50V	(US, CND)	C2712	1-135-708-91	ELECT 47uF 16V
C2605	1-165-319-11	CERAMIC CHIP	0.1uF	50V	(TW, KR)	C2714	1-119-794-21	ELECT 2200uF 20% 16V
C2606	1-165-319-11	CERAMIC CHIP	0.1uF	50V	(AEP)	C2714	1-127-722-51	ELECT 2200uF 20% 16V
C2607	1-165-319-11	CERAMIC CHIP	0.1uF	50V	(US, CND)	C2714	1-135-836-11	ELECT 2200uF 16V
C2608	1-165-319-11	CERAMIC CHIP	0.1uF	50V	(TW, KR)	C2715	1-165-319-11	CERAMIC CHIP 0.1uF 50V
C2609	1-165-319-11	CERAMIC CHIP	0.1uF	50V	C2716	1-119-794-21	ELECT 2200uF 20% 16V	
C2610	1-165-319-11	CERAMIC CHIP	0.1uF	50V	(AEP)	C2716	1-127-722-51	ELECT 2200uF 20% 16V
C2611	1-165-319-11	CERAMIC CHIP	0.1uF	50V	(US, CND)	C2716	1-135-836-11	ELECT 2200uF 16V
C2613	1-165-319-11	CERAMIC CHIP	0.1uF	50V	(TW, KR)	C2717	1-165-319-11	CERAMIC CHIP 0.1uF 50V
C2614	1-165-319-11	CERAMIC CHIP	0.1uF	50V	C2718	1-119-794-21	ELECT 2200uF 20% 16V	
C2615	1-165-319-11	CERAMIC CHIP	0.1uF	50V	(AEP)	C2718	1-127-722-51	ELECT 2200uF 20% 16V
C2616	1-165-319-11	CERAMIC CHIP	0.1uF	50V	(US, CND)	C2718	1-135-836-11	ELECT 2200uF 16V
C2617	1-165-319-11	CERAMIC CHIP	0.1uF	50V	(TW, KR)	C2719	1-165-319-11	CERAMIC CHIP 0.1uF 50V
C2618	1-165-319-11	CERAMIC CHIP	0.1uF	50V	C2720	1-165-319-11	CERAMIC CHIP 0.1uF 50V	
C2619	1-165-319-11	CERAMIC CHIP	0.1uF	50V	C2722	1-119-800-11	ELECT 100uF 20% 25V	
C2620	1-165-319-11	CERAMIC CHIP	0.1uF	50V	(AEP)	C2722	1-127-718-91	ELECT 100uF 20% 16V
C2621	1-165-319-11	CERAMIC CHIP	0.1uF	50V	(US, CND)	C2722	1-135-709-91	ELECT 100uF 16V
C2622	1-119-800-11	ELECT	100uF	20%	25V	C2723	1-165-319-11	CERAMIC CHIP 0.1uF 50V
C2622	1-127-718-91	ELECT	100uF	20%	16V			
C2622	1-135-709-91	ELECT	100uF	16V	(TW, KR)			
C2623	1-165-319-11	CERAMIC CHIP	0.1uF	50V				
C2624	1-165-319-11	CERAMIC CHIP	0.1uF	50V				
C2625	1-165-319-11	CERAMIC CHIP	0.1uF	50V				
C2626	1-165-319-11	CERAMIC CHIP	0.1uF	50V				
C2627	1-165-319-11	CERAMIC CHIP	0.1uF	50V				
C2628	1-165-319-11	CERAMIC CHIP	0.1uF	50V				
C2629	1-165-319-11	CERAMIC CHIP	0.1uF	50V				
C2630	1-165-319-11	CERAMIC CHIP	0.1uF	50V				
C2631	1-165-319-11	CERAMIC CHIP	0.1uF	50V				

Ref. No.	Part No.	Description	Remark	Ref. No.	Part No.	Description	Remark
		< CONNECTOR >					
CN2001	1-691-765-11	PLUG (MICRO CONNECTOR) 3P		FB2401	1-469-152-11	FERRITE, EMI (SMD) (2012)	
CN2006	1-784-796-11	CONNECTOR, FFC 35P		FB2426	1-469-152-11	FERRITE, EMI (SMD) (2012)	
CN2007	1-784-778-11	CONNECTOR, FFC 17P		FB2461	1-469-152-11	FERRITE, EMI (SMD) (2012)	
CN2008	1-784-784-11	CONNECTOR, FFC 23P		FB2501	1-469-152-11	FERRITE, EMI (SMD) (2012)	
CN2051	1-568-830-11	CONNECTOR, FFC 11P (EXCEPT AEP)		FB2502	1-469-152-11	FERRITE, EMI (SMD) (2012)	
CN2051	1-784-776-11	CONNECTOR, FFC 15P (AEP)		FB2601	1-469-152-11	FERRITE, EMI (SMD) (2012)	
CN2052	1-784-927-11	PIN, CONNECTOR 12P		FB2674	1-469-152-11	FERRITE, EMI (SMD) (2012)	
CN2053	1-784-928-11	PIN, CONNECTOR 13P		FB2675	1-469-152-11	FERRITE, EMI (SMD) (2012)	
CN2675	1-794-002-11	CONNECTOR 13P		FB2676	1-469-152-11	FERRITE, EMI (SMD) (2012)	
CN2685	1-794-003-11	CONNECTOR 15P		FB2677	1-469-152-11	FERRITE, EMI (SMD) (2012)	
CN2701	1-784-926-11	PIN, CONNECTOR 11P		FB2685	1-469-152-11	FERRITE, EMI (SMD) (2012)	
CN2730	1-564-320-00	PIN, CONNECTOR (3.96mm PITCH) 2P		FB2701	1-469-152-11	FERRITE, EMI (SMD) (2012)	
CN2801	1-784-926-11	PIN, CONNECTOR 11P				< IC >	
CN2802	1-564-320-00	PIN, CONNECTOR (3.96mm PITCH) 2P		IC2000	6-600-014-01	IC TORX141L (DIGITAL, CD/SACD OPTICAL IN)	
		< DIODE >		IC2001	6-600-012-11	IC TOTX141L (RED) (DIGITAL, MD/DAT OPTICAL OUT)	
D1101	8-719-988-61	DIODE 1SS355TE-17		IC2002	6-600-014-01	IC TORX141L (DIGITAL, MD/DAT OPTICAL IN)	
D2000	8-719-073-35	DIODE RB551V-30TE-17		IC2003	6-600-014-01	IC TORX141L (DIGITAL, TV/SAT OPTICAL IN)	
D2010	8-719-988-61	DIODE 1SS355TE-17		IC2004	6-600-014-01	IC TORX141L (DIGITAL, DVD OPTICAL IN)	
D2122	8-719-988-61	DIODE 1SS355TE-17		IC2005	8-759-236-19	IC TC74HC151AF (EL)	
D2601	8-719-801-78	DIODE 1SS184		IC2006	8-759-233-64	IC TC74HCU04AF	
D2602	8-719-988-61	DIODE 1SS355TE-17		IC2007	8-759-566-06	IC TC7WH08FU (TE12R)	
D2701	8-719-801-78	DIODE 1SS184		IC2008	8-759-233-44	IC TC74HC595AF	
D2702	8-719-801-78	DIODE 1SS184		IC2009	8-759-196-96	IC TC7SH08FU-TE85R	
		< FERRITE BEAD/SHORT >		IC2010	6-701-834-01	IC PCM1802DBR	
FB1101	1-469-152-11	FERRITE, EMI (SMD) (2012)		IC2011	8-759-447-77	IC TC7WH74FU (TE12R)	
FB1103	1-469-152-11	FERRITE, EMI (SMD) (2012)		IC2012	6-704-013-01	IC DSD1800DBR	
FB1104	1-469-152-11	FERRITE, EMI (SMD) (2012)		IC2013	6-704-013-01	IC DSD1800DBR	
FB1105	1-469-152-11	FERRITE, EMI (SMD) (2012)		IC2014	6-704-013-01	IC DSD1800DBR	
FB1106	1-216-295-00	SHORT CHIP 0		IC2015	6-704-013-01	IC DSD1800DBR	
FB1107	1-216-295-00	SHORT CHIP 0		IC2101	8-759-647-10	IC uPC2933HF (AEP)	
FB1108	1-216-295-00	SHORT CHIP 0		IC2121	8-759-825-15	IC LC89056W-E	
FB1109	1-216-295-00	SHORT CHIP 0		IC2122	8-759-523-84	IC TC74VHC14FT (EL)	
FB1270	1-469-152-11	FERRITE, EMI (SMD) (2012)		IC2123	8-759-546-74	IC TC7WH157FU (TE12R)	
FB2000	1-469-152-11	FERRITE, EMI (SMD) (2012)		IC2124	8-759-447-77	IC TC7WH74FU (TE12R)	
FB2001	1-469-152-11	FERRITE, EMI (SMD) (2012)		IC2125	8-759-096-87	IC TC7WU04FU (TE12R)	
FB2002	1-469-152-11	FERRITE, EMI (SMD) (2012)		IC2201	6-702-047-01	IC CXD9718Q	
FB2003	1-469-152-11	FERRITE, EMI (SMD) (2012)		IC2202	6-704-037-01	IC IC61LV6416-15TG	
FB2004	1-469-152-11	FERRITE, EMI (SMD) (2012)		IC2203	8-759-196-96	IC TC7SH08FU-TE85R	
FB2005	1-469-152-11	FERRITE, EMI (SMD) (2012)		IC2204	8-759-523-78	IC TC74VHC00FT (EL)	
FB2006	1-469-152-11	FERRITE, EMI (SMD) (2012)		IC2206	8-759-835-63	IC NJM2391DL1-26 (TE1)	
FB2007	1-216-295-00	SHORT CHIP 0		IC2207	8-759-546-74	IC TC7WH157FU (TE12R)	
FB2008	1-216-295-00	SHORT CHIP 0		IC2251	6-704-421-01	IC CXD9782R	
FB2050	1-469-152-11	FERRITE, EMI (SMD) (2012)		IC2252	6-704-037-01	IC IC61LV6416-15TG	
FB2051	1-469-152-11	FERRITE, EMI (SMD) (2012)		IC2253	6-704-037-01	IC IC61LV6416-15TG	
FB2153	1-469-144-21	FERRITE, EMI (SMD) (2012)		IC2254	8-759-196-96	IC TC7SH08FU-TE85R	
FB2154	1-469-144-21	FERRITE, EMI (SMD) (2012)		IC2255	8-759-835-63	IC NJM2391DL1-26 (TE1)	
FB2155	1-216-295-00	SHORT CHIP 0		IC2304	8-759-447-77	IC TC7WH74FU (TE12R)	
FB2156	1-469-139-21	FERRITE, EMI (SMD) (2012)		IC2401	6-803-008-01	IC ISPLSI2032VE-110LTN44-MOD	
FB2201	1-469-152-11	FERRITE, EMI (SMD) (2012)		IC2402	8-759-447-77	IC TC7WH74FU (TE12R)	
FB2202	1-469-152-11	FERRITE, EMI (SMD) (2012)		IC2403	8-759-531-92	IC TC7WH04FU (TE12R)	
FB2252	1-469-152-11	FERRITE, EMI (SMD) (2012)		IC2404	8-759-392-01	IC TC7SH86FU-TE85R	
FB2253	1-469-152-11	FERRITE, EMI (SMD) (2012)		IC2426	6-803-008-01	IC ISPLSI2032VE-110LTN44-MOD	
FB2301	1-469-152-11	FERRITE, EMI (SMD) (2012)		IC2427	8-759-392-01	IC TC7SH86FU-TE85R	
FB2310	1-469-144-21	FERRITE, EMI (SMD) (2012)		IC2428	8-759-491-46	IC TC74VHCT04AFT (EL)	

STR-DA3000ES

DIGITAL

Ref. No.	Part No.	Description	Remark
IC2429	8-759-523-95	IC TC74VHC74FT (EL)	
IC2430	8-759-447-77	IC TC7WH74FU (TE12R)	
IC2461	8-759-233-44	IC TC74HC595AF	
IC2462	8-759-233-44	IC TC74HC595AF	
IC2501	8-759-523-30	IC TC74AC541FT (EL)	
IC2502	8-759-523-30	IC TC74AC541FT (EL)	
IC2503	8-759-523-30	IC TC74AC541FT (EL)	
IC2504	8-759-443-08	IC TC7W241FU-TE12R	
IC2601	6-802-972-01	IC MB91F155-3ES-X105	
IC2603	8-759-641-86	IC BR24C16F-E2	
IC2604	8-759-277-63	IC TC7W14FU (TE12R)	
IC2605	8-759-058-62	IC TC7S08FU (TE85R)	
IC2701	8-759-666-99	IC TMP87CH447U-1F23	
IC2702	8-759-008-37	IC MC74HC4050F	
IC2703	8-759-008-37	IC MC74HC4050F	
IC2704	8-759-238-47	IC TC74HCT7007AF(EL)	
IC2705	8-759-058-62	IC TC7S08FU (TE85R)	
IC2706	6-702-912-01	IC S-80942CNMC-G9CT2G	
IC2708	8-759-238-47	IC TC74HCT7007AF(EL)	
< JACK >			
J2000	1-817-958-11	JACK, PIN 2P	
< SHORT >			
JW2011	1-216-295-00	SHORT CHIP	0
JW2012	1-216-295-00	SHORT CHIP	0
< TRANSISTOR >			
Q2122	8-729-027-43	TRANSISTOR	DTC114EKA-T146
Q2123	8-729-027-43	TRANSISTOR	DTC114EKA-T146
Q2601	8-729-027-43	TRANSISTOR	DTC114EKA-T146
Q2602	8-729-024-91	TRANSISTOR	2SC2712-GL-TE85L
Q2603	8-729-024-91	TRANSISTOR	2SC2712-GL-TE85L
Q2701	8-729-024-91	TRANSISTOR	2SC2712-GL-TE85L
Q2702	8-729-024-91	TRANSISTOR	2SC2712-GL-TE85L
Q2703	8-729-027-43	TRANSISTOR	DTC114EKA-T146
< RESISTOR >			
R2000	1-208-410-41	RES-CHIP	75 2% 1/8W (EXCEPT AEP)
R2000	1-259-909-11	CARBON MELF	75 2% 1/8W (AEP)
R2001	1-208-410-41	RES-CHIP	75 2% 1/8W (EXCEPT AEP)
R2001	1-259-909-11	CARBON MELF	75 2% 1/8W (AEP)
R2002	1-216-627-11	METAL CHIP	100 0.5% 1/10W
R2003	1-216-627-11	METAL CHIP	100 0.5% 1/10W
R2004	1-216-627-11	METAL CHIP	100 0.5% 1/10W
R2005	1-216-627-11	METAL CHIP	100 0.5% 1/10W
R2006	1-216-190-00	RES-CHIP	470 2% 1/8W (EXCEPT AEP)
R2006	1-259-991-11	CARBON MELF	470 2% 1/8W (AEP)
R2007	1-216-190-00	RES-CHIP	470 2% 1/8W (EXCEPT AEP)
R2007	1-259-991-11	CARBON MELF	470 2% 1/8W (AEP)

Ref. No.	Part No.	Description	Remark
R2008	1-216-262-00	RES-CHIP	470K 2% 1/8W (EXCEPT AEP)
R2008	1-260-028-11	CARBON MELF	470K 2% 1/8W (AEP)
R2009	1-216-262-00	RES-CHIP	470K 2% 1/8W (EXCEPT AEP)
R2009	1-260-028-11	CARBON MELF	470K 2% 1/8W (AEP)
R2010	1-216-295-00	SHORT CHIP	0
R2011	1-216-238-00	RES-CHIP	47K 2% 1/8W (EXCEPT AEP)
R2011	1-260-016-11	CARBON MELF	47K 2% 1/8W (AEP)
R2012	1-216-627-11	METAL CHIP	100 0.5% 1/10W
R2013	1-216-627-11	METAL CHIP	100 0.5% 1/10W
R2014	1-216-238-00	RES-CHIP	47K 2% 1/8W (EXCEPT AEP)
R2014	1-260-016-11	CARBON MELF	47K 2% 1/8W (AEP)
R2015	1-208-462-41	RES-CHIP	1K 2% 1/10W
R2016	1-216-627-11	METAL CHIP	100 0.5% 1/10W
R2017	1-208-462-41	RES-CHIP	1K 2% 1/10W
R2018	1-216-627-11	METAL CHIP	100 0.5% 1/10W
R2019	1-216-627-11	METAL CHIP	100 0.5% 1/10W
R2020	1-216-627-11	METAL CHIP	100 0.5% 1/10W
R2021	1-216-627-11	METAL CHIP	100 0.5% 1/10W
R2022	1-216-627-11	METAL CHIP	100 0.5% 1/10W
R2024	1-216-295-00	SHORT CHIP	0
R2026	1-216-627-11	METAL CHIP	100 0.5% 1/10W
R2027	1-216-627-11	METAL CHIP	100 0.5% 1/10W
R2028	1-216-627-11	METAL CHIP	100 0.5% 1/10W
R2030	1-208-462-41	RES-CHIP	1K 2% 1/10W
R2031	1-216-627-11	METAL CHIP	100 0.5% 1/10W
R2032	1-216-627-11	METAL CHIP	100 0.5% 1/10W
R2033	1-216-627-11	METAL CHIP	100 0.5% 1/10W
R2035	1-208-462-41	RES-CHIP	1K 2% 1/10W
R2036	1-216-627-11	METAL CHIP	100 0.5% 1/10W
R2037	1-216-627-11	METAL CHIP	100 0.5% 1/10W
R2038	1-216-627-11	METAL CHIP	100 0.5% 1/10W
R2040	1-208-462-41	RES-CHIP	1K 2% 1/10W
R2041	1-216-627-11	METAL CHIP	100 0.5% 1/10W
R2042	1-208-462-41	RES-CHIP	1K 2% 1/10W
R2043	1-208-462-41	RES-CHIP	1K 2% 1/10W
R2050	1-216-627-11	METAL CHIP	100 0.5% 1/10W
R2051	1-216-627-11	METAL CHIP	100 0.5% 1/10W
R2052	1-216-627-11	METAL CHIP	100 0.5% 1/10W
R2053	1-216-627-11	METAL CHIP	100 0.5% 1/10W
R2054	1-216-627-11	METAL CHIP	100 0.5% 1/10W
R2055	1-216-627-11	METAL CHIP	100 0.5% 1/10W
R2056	1-216-627-11	METAL CHIP	100 0.5% 1/10W
R2057	1-216-627-11	METAL CHIP	100 0.5% 1/10W (AEP)
R2058	1-216-627-11	METAL CHIP	100 0.5% 1/10W (AEP)
R2059	1-216-627-11	METAL CHIP	100 0.5% 1/10W (AEP)
R2121	1-208-558-41	RES-CHIP	1M 2% 1/10W
R2122	1-216-627-11	METAL CHIP	100 0.5% 1/10W
R2125	1-208-526-41	RES-CHIP	47K 2% 1/10W

STR-DA3000ES

DIGITAL

Ref. No.	Part No.	Description	Quantity	Lot %	Remark	Ref. No.	Part No.	Description	Quantity	Lot %	Remark
R2299	1-216-627-11	METAL CHIP	100	0.5%	1/10W	R2432	1-208-437-41	RES-CHIP	1K	2%	1/10W
R2304	1-216-627-11	METAL CHIP	100	0.5%	1/10W	R2433	1-216-627-11	METAL CHIP	100	0.5%	1/10W
R2305	1-216-627-11	METAL CHIP	100	0.5%	1/10W						
R2307	1-216-295-00	SHORT CHIP	0			R2434	1-216-627-11	METAL CHIP	100	0.5%	1/10W
R2309	1-216-295-00	SHORT CHIP	0			R2435	1-216-627-11	METAL CHIP	100	0.5%	1/10W
						R2436	1-216-627-11	METAL CHIP	100	0.5%	1/10W
R2311	1-216-295-00	SHORT CHIP	0			R2437	1-216-627-11	METAL CHIP	100	0.5%	1/10W
R2312	1-216-295-00	SHORT CHIP	0			R2438	1-216-627-11	METAL CHIP	100	0.5%	1/10W
R2313	1-216-295-00	SHORT CHIP	0								
R2314	1-216-295-00	SHORT CHIP	0			R2439	1-208-437-41	RES-CHIP	1K	2%	1/10W
R2315	1-216-295-00	SHORT CHIP	0			R2440	1-216-627-11	METAL CHIP	100	0.5%	1/10W
						R2441	1-216-627-11	METAL CHIP	100	0.5%	1/10W
R2316	1-216-295-00	SHORT CHIP	0			R2461	1-208-462-41	RES-CHIP	1K	2%	1/10W
R2317	1-216-295-00	SHORT CHIP	0			R2500	1-216-699-11	METAL CHIP	100K	0.5%	1/10W
R2318	1-216-295-00	SHORT CHIP	0								
R2319	1-216-295-00	SHORT CHIP	0			R2501	1-216-699-11	METAL CHIP	100K	0.5%	1/10W
R2320	1-216-295-00	SHORT CHIP	0			R2502	1-208-462-41	RES-CHIP	1K	2%	1/10W
						R2503	1-216-619-11	METAL CHIP	47	0.5%	1/10W
R2321	1-216-627-11	METAL CHIP	100	0.5%	1/10W	R2504	1-216-619-11	METAL CHIP	47	0.5%	1/10W
R2322	1-216-627-11	METAL CHIP	100	0.5%	1/10W	R2505	1-216-627-11	METAL CHIP	100	0.5%	1/10W
R2323	1-216-627-11	METAL CHIP	100	0.5%	1/10W						
R2324	1-216-627-11	METAL CHIP	100	0.5%	1/10W	R2506	1-216-619-11	METAL CHIP	47	0.5%	1/10W
R2325	1-216-627-11	METAL CHIP	100	0.5%	1/10W	R2507	1-216-619-11	METAL CHIP	47	0.5%	1/10W
						R2508	1-216-619-11	METAL CHIP	47	0.5%	1/10W
R2326	1-216-627-11	METAL CHIP	100	0.5%	1/10W	R2509	1-216-619-11	METAL CHIP	47	0.5%	1/10W
R2327	1-216-627-11	METAL CHIP	100	0.5%	1/10W	R2510	1-216-619-11	METAL CHIP	47	0.5%	1/10W
R2328	1-216-627-11	METAL CHIP	100	0.5%	1/10W						
R2329	1-216-627-11	METAL CHIP	100	0.5%	1/10W	R2511	1-216-619-11	METAL CHIP	47	0.5%	1/10W
R2330	1-216-627-11	METAL CHIP	100	0.5%	1/10W	R2512	1-216-619-11	METAL CHIP	47	0.5%	1/10W
						R2513	1-216-619-11	METAL CHIP	47	0.5%	1/10W
R2331	1-216-627-11	METAL CHIP	100	0.5%	1/10W	R2514	1-469-144-21	FERRITE, EMI (SMD) (2012)			
R2332	1-216-627-11	METAL CHIP	100	0.5%	1/10W	R2515	1-216-619-11	METAL CHIP	47	0.5%	1/10W
R2333	1-216-627-11	METAL CHIP	100	0.5%	1/10W						
R2351	1-216-627-11	METAL CHIP	100	0.5%	1/10W	R2516	1-216-619-11	METAL CHIP	47	0.5%	1/10W
R2352	1-216-627-11	METAL CHIP	100	0.5%	1/10W	R2517	1-216-619-11	METAL CHIP	47	0.5%	1/10W
						R2518	1-216-619-11	METAL CHIP	47	0.5%	1/10W
R2353	1-216-627-11	METAL CHIP	100	0.5%	1/10W	R2519	1-216-619-11	METAL CHIP	47	0.5%	1/10W
R2354	1-216-627-11	METAL CHIP	100	0.5%	1/10W	R2520	1-216-619-11	METAL CHIP	47	0.5%	1/10W
R2401	1-216-627-11	METAL CHIP	100	0.5%	1/10W						
R2402	1-216-627-11	METAL CHIP	100	0.5%	1/10W	R2521	1-216-619-11	METAL CHIP	47	0.5%	1/10W
R2403	1-216-627-11	METAL CHIP	100	0.5%	1/10W	R2522	1-216-619-11	METAL CHIP	47	0.5%	1/10W
						R2523	1-216-619-11	METAL CHIP	47	0.5%	1/10W
R2404	1-216-295-00	SHORT CHIP	0			R2524	1-216-619-11	METAL CHIP	47	0.5%	1/10W
R2405	1-216-627-11	METAL CHIP	100	0.5%	1/10W	R2525	1-216-619-11	METAL CHIP	47	0.5%	1/10W
R2406	1-216-627-11	METAL CHIP	100	0.5%	1/10W						
R2407	1-216-627-11	METAL CHIP	100	0.5%	1/10W	R2526	1-208-462-41	RES-CHIP	1K	2%	1/10W
R2408	1-216-627-11	METAL CHIP	100	0.5%	1/10W	R2527	1-208-462-41	RES-CHIP	1K	2%	1/10W
						R2528	1-216-619-11	METAL CHIP	47	0.5%	1/10W
R2409	1-216-627-11	METAL CHIP	100	0.5%	1/10W	R2529	1-216-619-11	METAL CHIP	47	0.5%	1/10W
R2410	1-216-627-11	METAL CHIP	100	0.5%	1/10W	R2565	1-216-627-11	METAL CHIP	100	0.5%	1/10W
R2411	1-216-627-11	METAL CHIP	100	0.5%	1/10W						
R2412	1-216-627-11	METAL CHIP	100	0.5%	1/10W	R2566	1-216-627-11	METAL CHIP	100	0.5%	1/10W
R2413	1-216-627-11	METAL CHIP	100	0.5%	1/10W	R2567	1-216-627-11	METAL CHIP	100	0.5%	1/10W
						R2568	1-216-627-11	METAL CHIP	100	0.5%	1/10W
R2414	1-216-627-11	METAL CHIP	100	0.5%	1/10W	R2569	1-216-627-11	METAL CHIP	100	0.5%	1/10W
R2415	1-216-627-11	METAL CHIP	100	0.5%	1/10W	R2570	1-216-627-11	METAL CHIP	100	0.5%	1/10W
R2416	1-216-627-11	METAL CHIP	100	0.5%	1/10W						
R2417	1-216-627-11	METAL CHIP	100	0.5%	1/10W	R2600	1-208-462-41	RES-CHIP	1K	2%	1/10W
R2418	1-208-462-41	RES-CHIP	1K	2%	1/10W	R2601	1-208-462-41	RES-CHIP	1K	2%	1/10W
						R2602	1-208-462-41	RES-CHIP	1K	2%	1/10W
R2419	1-208-462-41	RES-CHIP	1K	2%	1/10W	R2604	1-208-462-41	RES-CHIP	1K	2%	1/10W
R2420	1-208-462-41	RES-CHIP	1K	2%	1/10W	R2605	1-208-462-41	RES-CHIP	1K	2%	1/10W
R2426	1-216-627-11	METAL CHIP	100	0.5%	1/10W						
R2427	1-216-295-00	SHORT CHIP	0			R2606	1-208-462-41	RES-CHIP	1K	2%	1/10W
R2428	1-216-627-11	METAL CHIP	100	0.5%	1/10W	R2607	1-208-462-41	RES-CHIP	1K	2%	1/10W
						R2608	1-208-462-41	RES-CHIP	1K	2%	1/10W
R2429	1-216-627-11	METAL CHIP	100	0.5%	1/10W	R2609	1-216-627-11	METAL CHIP	100	0.5%	1/10W
R2430	1-208-462-41	RES-CHIP	1K	2%	1/10W	R2612	1-208-462-41	RES-CHIP	1K	2%	1/10W
R2431	1-208-462-41	RES-CHIP	1K	2%	1/10W						

DIGITAL

Ref. No.	Part No.	Description	Remark			Ref. No.	Part No.	Description	Remark		
R2613	1-208-437-41	RES-CHIP	1K	2%	1/10W (TW, KR)	R2670	1-216-627-11	METAL CHIP	100	0.5%	1/10W
R2613	1-216-655-11	METAL CHIP	1.5K	0.5%	1/10W (AEP)	R2671	1-216-627-11	METAL CHIP	100	0.5%	1/10W
R2613	1-216-295-00	SHORT CHIP	0 (US, CND)			R2672	1-216-627-11	METAL CHIP	100	0.5%	1/10W
R2614	1-208-453-41	RES-CHIP	4.7K	2%	1/10W (EXCEPT US, CND)	R2673	1-216-627-11	METAL CHIP	100	0.5%	1/10W
R2615	1-208-462-41	RES-CHIP	1K	2%	1/10W	R2674	1-216-627-11	METAL CHIP	100	0.5%	1/10W
R2616	1-208-462-41	RES-CHIP	1K	2%	1/10W	R2675	1-216-627-11	METAL CHIP	100	0.5%	1/10W
R2617	1-208-462-41	RES-CHIP	1K	2%	1/10W	R2676	1-208-462-41	RES-CHIP	1K	2%	1/10W
R2618	1-208-462-41	RES-CHIP	1K	2%	1/10W	R2677	1-216-627-11	METAL CHIP	100	0.5%	1/10W
R2619	1-208-462-41	RES-CHIP	1K	2%	1/10W	R2678	1-216-627-11	METAL CHIP	100	0.5%	1/10W
R2620	1-208-462-41	RES-CHIP	1K	2%	1/10W	R2679	1-216-627-11	METAL CHIP	100	0.5%	1/10W
R2621	1-208-462-41	RES-CHIP	1K	2%	1/10W	R2680	1-216-627-11	METAL CHIP	100	0.5%	1/10W
R2622	1-208-462-41	RES-CHIP	1K	2%	1/10W	R2681	1-216-627-11	METAL CHIP	100	0.5%	1/10W
R2623	1-208-462-41	RES-CHIP	1K	2%	1/10W	R2682	1-216-627-11	METAL CHIP	100	0.5%	1/10W
R2624	1-208-462-41	RES-CHIP	1K	2%	1/10W	R2683	1-216-627-11	METAL CHIP	100	0.5%	1/10W
R2625	1-208-462-41	RES-CHIP	1K	2%	1/10W	R2685	1-216-627-11	METAL CHIP	100	0.5%	1/10W
R2626	1-208-462-41	RES-CHIP	1K	2%	1/10W	R2686	1-216-627-11	METAL CHIP	100	0.5%	1/10W
R2627	1-216-627-11	METAL CHIP	100	0.5%	1/10W	R2687	1-216-627-11	METAL CHIP	100	0.5%	1/10W
R2629	1-216-627-11	METAL CHIP	100	0.5%	1/10W	R2692	1-216-627-11	METAL CHIP	100	0.5%	1/10W
R2630	1-208-462-41	RES-CHIP	1K	2%	1/10W	R2693	1-216-627-11	METAL CHIP	100	0.5%	1/10W
R2631	1-216-627-11	METAL CHIP	100	0.5%	1/10W	R2694	1-216-627-11	METAL CHIP	100	0.5%	1/10W
R2632	1-216-627-11	METAL CHIP	100	0.5%	1/10W	R2695	1-216-627-11	METAL CHIP	100	0.5%	1/10W
R2633	1-216-627-11	METAL CHIP	100	0.5%	1/10W	R2696	1-216-627-11	METAL CHIP	100	0.5%	1/10W
R2634	1-216-627-11	METAL CHIP	100	0.5%	1/10W	R2697	1-216-627-11	METAL CHIP	100	0.5%	1/10W
R2635	1-216-627-11	METAL CHIP	100	0.5%	1/10W	R2699	1-216-627-11	METAL CHIP	100	0.5%	1/10W
R2636	1-208-462-41	RES-CHIP	1K	2%	1/10W	R2701	1-216-627-11	METAL CHIP	100	0.5%	1/10W
R2637	1-208-518-41	RES-CHIP	22K	2%	1/10W	R2702	1-208-462-41	RES-CHIP	1K	2%	1/10W
R2638	1-216-627-11	METAL CHIP	100	0.5%	1/10W	R2703	1-216-603-11	METAL CHIP	10	0.5%	1/10W
R2639	1-216-627-11	METAL CHIP	100	0.5%	1/10W	R2704	1-208-462-41	RES-CHIP	1K	2%	1/10W
R2640	1-216-689-11	METAL CHIP	39K	0.5%	1/10W	R2705	1-216-627-11	METAL CHIP	100	0.5%	1/10W
R2641	1-216-689-11	METAL CHIP	39K	0.5%	1/10W	R2706	1-208-462-41	RES-CHIP	1K	2%	1/10W
R2642	1-216-627-11	METAL CHIP	100	0.5%	1/10W	R2707	1-208-453-41	RES-CHIP	4.7K	2%	1/10W
R2643	1-216-627-11	METAL CHIP	100	0.5%	1/10W	R2708	1-208-462-41	RES-CHIP	1K	2%	1/10W
R2644	1-208-462-41	RES-CHIP	1K	2%	1/10W	R2709	1-208-462-41	RES-CHIP	1K	2%	1/10W
R2645	1-208-462-41	RES-CHIP	1K	2%	1/10W	R2710	1-208-462-41	RES-CHIP	1K	2%	1/10W
R2646	1-216-627-11	METAL CHIP	100	0.5%	1/10W	R2711	1-208-462-41	RES-CHIP	1K	2%	1/10W
R2647	1-216-627-11	METAL CHIP	100	0.5%	1/10W	R2712	1-208-462-41	RES-CHIP	1K	2%	1/10W
R2648	1-216-627-11	METAL CHIP	100	0.5%	1/10W	R2713	1-208-558-41	RES-CHIP	1M	2%	1/10W
R2649	1-216-627-11	METAL CHIP	100	0.5%	1/10W	R2714	1-208-462-41	RES-CHIP	1K	2%	1/10W
R2650	1-208-462-41	RES-CHIP	1K	2%	1/10W	R2715	1-208-462-41	RES-CHIP	1K	2%	1/10W
R2651	1-208-810-11	METAL CHIP	15K	0.5%	1/10W	R2716	1-208-462-41	RES-CHIP	1K	2%	1/10W
R2652	1-208-462-41	RES-CHIP	1K	2%	1/10W	R2717	1-208-462-41	RES-CHIP	1K	2%	1/10W
R2653	1-208-462-41	RES-CHIP	1K	2%	1/10W	R2718	1-208-462-41	RES-CHIP	1K	2%	1/10W
R2654	1-208-462-41	RES-CHIP	1K	2%	1/10W	R2719	1-208-462-41	RES-CHIP	1K	2%	1/10W
R2655	1-208-449-41	RES-CHIP	3.3K	2%	1/10W	R2720	1-216-627-11	METAL CHIP	100	0.5%	1/10W
R2656	1-208-449-41	RES-CHIP	3.3K	2%	1/10W	R2721	1-208-462-41	RES-CHIP	1K	2%	1/10W
R2657	1-208-462-41	RES-CHIP	1K	2%	1/10W	R2722	1-216-627-11	METAL CHIP	100	0.5%	1/10W
R2658	1-216-699-11	METAL CHIP	100K	0.5%	1/10W	R2723	1-216-627-11	METAL CHIP	100	0.5%	1/10W
R2659	1-216-627-11	METAL CHIP	100	0.5%	1/10W	R2724	1-216-627-11	METAL CHIP	100	0.5%	1/10W
R2660	1-216-627-11	METAL CHIP	100	0.5%	1/10W	R2725	1-216-627-11	METAL CHIP	100	0.5%	1/10W
R2661	1-216-627-11	METAL CHIP	100	0.5%	1/10W	R2726	1-208-462-41	RES-CHIP	1K	2%	1/10W
R2662	1-216-627-11	METAL CHIP	100	0.5%	1/10W	R2727	1-208-462-41	RES-CHIP	1K	2%	1/10W
R2663	1-216-627-11	METAL CHIP	100	0.5%	1/10W	R2728	1-216-627-11	METAL CHIP	100	0.5%	1/10W
R2664	1-216-627-11	METAL CHIP	100	0.5%	1/10W	R2729	1-216-627-11	METAL CHIP	100	0.5%	1/10W
R2665	1-216-627-11	METAL CHIP	100	0.5%	1/10W	R2730	1-208-462-41	RES-CHIP	1K	2%	1/10W
R2666	1-208-445-41	RES-CHIP	2.2K	2%	1/10W	R2732	1-208-445-41	RES-CHIP	2.2K	2%	1/10W (AEP)
						R2732	1-208-449-41	RES-CHIP	3.3K	2%	1/10W (TW, KR)

STR-DA3000ES

DIGITAL **FL**

Ref. No.	Part No.	Description	Remark
R2733	1-208-437-41	RES-CHIP 1K	2% 1/10W (EXCEPT AEP)
R2733	1-216-655-11	METAL CHIP 1.5K	0.5% 1/10W (AEP)
R2801	1-216-627-11	METAL CHIP 100	0.5% 1/10W
R2802	1-216-627-11	METAL CHIP 100	0.5% 1/10W
R2803	1-216-627-11	METAL CHIP 100	0.5% 1/10W
R2804	1-216-627-11	METAL CHIP 100	0.5% 1/10W
R2805	1-216-627-11	METAL CHIP 100	0.5% 1/10W
R2806	1-216-627-11	METAL CHIP 100	0.5% 1/10W
R2807	1-216-627-11	METAL CHIP 100	0.5% 1/10W
R2808	1-216-627-11	METAL CHIP 100	0.5% 1/10W
R2810	1-216-627-11	METAL CHIP 100	0.5% 1/10W
R2814	1-216-295-00	SHORT CHIP	0 (EXCEPT US, CND)
R2830	1-216-627-11	METAL CHIP 100	0.5% 1/10W
R2831	1-216-627-11	METAL CHIP 100	0.5% 1/10W
R2832	1-216-627-11	METAL CHIP 100	0.5% 1/10W
R2833	1-216-627-11	METAL CHIP 100	0.5% 1/10W
< VIBRATOR >			
X1101	1-795-219-21	VIBRATOR, CRYSTAL (24.576MHz)	
X2201	1-781-527-21	VIBRATOR, CRYSTAL (13.5MHz)	
X2251	1-795-264-21	VIBRATOR, CERAMIC (13.5MHz)	
X2601	1-795-179-21	VIBRATOR, CERAMIC (16.5MHz)	
X2701	1-767-938-21	VIBRATOR, CERAMIC (7.28MHz)	

A-4734-128-A	FL BOARD, COMPLETE (EXCEPT AEP: BLACK)		
A-4734-171-A	FL BOARD, COMPLETE (AEP: BLACK)		

2-389-320-01	CUSHION		
4-246-106-01	HOLDER (FL)		
< CAPACITOR >			
C1001	1-124-589-11	ELECT 47uF	20% 16V
C1002	1-165-319-11	CERAMIC CHIP 0.1uF	50V
C1003	1-165-319-11	CERAMIC CHIP 0.1uF	50V
C1008	1-124-589-11	ELECT 47uF	20% 16V
C1009	1-165-319-11	CERAMIC CHIP 0.1uF	50V
C1010	1-126-795-11	ELECT 10uF	20% 50V
C1011	1-165-319-11	CERAMIC CHIP 0.1uF	50V
C1012	1-163-251-11	CERAMIC CHIP 100PF	5% 50V
C1013	1-163-251-11	CERAMIC CHIP 100PF	5% 50V
C1014	1-165-319-11	CERAMIC CHIP 0.1uF	50V
C1018	1-165-726-31	ELECT 56uF	20% 16V
C1019	1-107-381-91	MYLAR 0.012uF	5% 200V
C1020	1-165-319-11	CERAMIC CHIP 0.1uF	50V
C1021	1-165-746-31	ELECT 22uF	20% 50V
C1022	1-165-319-11	CERAMIC CHIP 0.1uF	50V
C1034	1-126-916-11	ELECT 1000uF	20% 6.3V
C1038	1-165-746-31	ELECT 22uF	20% 50V
< CONNECTOR >			
CN1001	1-784-739-11	CONNECTOR, FFC 17P	
CN1002	1-784-784-11	CONNECTOR, FFC 23P	
* CN1003	1-564-719-11	PIN, CONNECTOR (SMALL TYPE) 3P	
CN1007	1-785-819-11	HOUSING, CONNECTOR (PC BOARD) 15P	

Ref. No.	Part No.	Description	Remark
< DIODE >			
D1002	8-719-075-59	LED SELS5B23C-TP15	(Digital Cinema Sound)
D1003	8-719-070-83	LED SELU5E20C-TP15	(MULTI CHANNEL DECODING)
D1013	8-719-313-50	LED SEL6810A-TH12	(DIMMER)
D1015	8-719-041-97	DIODE MA113-(TX)	
D1016	8-719-041-97	DIODE MA113-(TX)	
D1017	8-719-041-97	DIODE MA113-(TX)	
D1018	8-719-041-97	DIODE MA113-(TX)	
D1019	8-719-056-84	DIODE UDZ-TE-17-7.5B	
D1027	6-500-540-01	DIODE RB521S-30FTE61	
< FILTER >			
FL1001	1-518-906-11	INDICATOR TUBE, FLUORESCENT	
< IC >			
IC1001	8-759-827-69	IC NJL63H400A-1	
IC1002	8-759-238-47	IC TC74HCT7007AF(EL)	
IC1003	8-759-238-47	IC TC74HCT7007AF(EL)	
IC1004	8-759-342-19	IC NJU3716M-T2	
< COIL >			
L1001	1-456-519-11	COIL, CHOKE 150uH	
< TRANSISTOR >			
Q1001	8-729-808-42	TRANSISTOR 2SD1624-T	
Q1002	8-729-808-42	TRANSISTOR 2SD1624-T	
< RESISTOR >			
R1001	1-216-001-00	RES-CHIP 10	5% 1/10W
R1002	1-249-385-11	CARBON 2.2	5% 1/4W
R1003	1-249-385-11	CARBON 2.2	5% 1/4W
R1004	1-216-025-11	RES-CHIP 100	5% 1/10W
R1005	1-216-025-11	RES-CHIP 100	5% 1/10W
R1006	1-216-025-11	RES-CHIP 100	5% 1/10W
R1007	1-216-025-11	RES-CHIP 100	5% 1/10W
R1008	1-216-025-11	RES-CHIP 100	5% 1/10W
R1009	1-216-025-11	RES-CHIP 100	5% 1/10W
R1010	1-216-025-11	RES-CHIP 100	5% 1/10W
R1011	1-216-025-11	RES-CHIP 100	5% 1/10W
R1012	1-216-025-11	RES-CHIP 100	5% 1/10W
R1013	1-216-025-11	RES-CHIP 100	5% 1/10W
R1014	1-216-025-11	RES-CHIP 100	5% 1/10W
R1015	1-216-025-11	RES-CHIP 100	5% 1/10W
R1016	1-216-049-11	RES-CHIP 1K	5% 1/10W
R1017	1-216-049-11	RES-CHIP 1K	5% 1/10W
R1018	1-216-089-11	RES-CHIP 47K	5% 1/10W
R1020	1-216-037-00	RES-CHIP 330	5% 1/10W
R1021	1-216-037-00	RES-CHIP 330	5% 1/10W
R1022	1-216-022-00	RES-CHIP 75	5% 1/10W
R1023	1-216-073-00	RES-CHIP 1K	5% 1/10W
R1024	1-216-029-00	RES-CHIP 150	5% 1/10W
R1026	1-216-073-00	RES-CHIP 1K	5% 1/10W
R1027	1-216-065-00	RES-CHIP 4.7K	5% 1/10W
R1028	1-216-057-00	RES-CHIP 2.2K	5% 1/10W
R1029	1-216-057-00	RES-CHIP 2.2K	5% 1/10W

FL FUNCTION HP JOG KEY

Ref. No.	Part No.	Description	Remark
R1030	1-216-049-11	RES-CHIP	1K 5% 1/10W
R1031	1-216-073-00	RES-CHIP	1K 5% 1/10W
R1032	1-216-065-00	RES-CHIP	4.7K 5% 1/10W
R1033	1-216-057-00	RES-CHIP	2.2K 5% 1/10W
R1034	1-216-057-00	RES-CHIP	2.2K 5% 1/10W
R1035	1-216-049-11	RES-CHIP	1K 5% 1/10W
R1036	1-216-065-00	RES-CHIP	4.7K 5% 1/10W
R1037	1-216-025-11	RES-CHIP	100 5% 1/10W
R1038	1-216-025-11	RES-CHIP	100 5% 1/10W
R1039	1-216-081-00	RES-CHIP	22K 5% 1/10W
R1040	1-216-295-00	SHORT CHIP	0
< SWITCH >			
S1001	1-771-349-21	SWITCH, KEYBOARD	(SURR BACK DECODING)
S1002	1-771-349-21	SWITCH, KEYBOARD	(MULTI CH IN 1/2)
S1003	1-771-349-21	SWITCH, KEYBOARD	(DIRECT)
S1004	1-771-349-21	SWITCH, KEYBOARD	(DECODE PRIORITY)
S1005	1-771-349-21	SWITCH, KEYBOARD	(DISPLAY)
S1006	1-771-349-21	SWITCH, KEYBOARD	(USER PRESET)
S1007	1-771-349-21	SWITCH, KEYBOARD	(MEMORY/ENTER)
S1008	1-771-349-21	SWITCH, KEYBOARD	(FM/AM)
S1009	1-771-349-21	SWITCH, KEYBOARD	(TUNING +)
S1010	1-771-349-21	SWITCH, KEYBOARD	(TUNING -)
S1011	1-771-349-21	SWITCH, KEYBOARD	(PRESET TUNING +)
S1012	1-771-349-21	SWITCH, KEYBOARD	(PRESET TUNING -)
< TRANSFORMER >			
T1001	1-439-837-11	TRANSFORMER, DC-DC CONVERTER	(EXCEPT AEP: BLACK)
T1001	1-439-838-11	TRANSFORMER, DC-DC CONVERTER	(AEP: BLACK)

	1-688-726-11	FUNCTION BOARD	*****
< CONNECTOR >			
* CN1005	1-564-720-11	PIN, CONNECTOR (SMALL TYPE) 4P	
< RESISTOR >			
R1055	1-216-065-00	RES-CHIP	4.7K 5% 1/10W
< ROTARY ENCODER >			
RV1006	1-418-589-11	ENCODER, ROTARY (INPUT SELECTOR)	
< SWITCH >			
S1014	1-771-349-21	SWITCH, KEYBOARD (INPUT MODE)	

	1-688-723-11	HP BOARD	*****
< CAPACITOR >			
C1025	1-165-319-11	CERAMIC CHIP	0.1uF 50V
C1026	1-164-161-11	CERAMIC CHIP	0.0022uF 10% 50V
C1027	1-164-161-11	CERAMIC CHIP	0.0022uF 10% 50V
C1041	1-165-319-11	CERAMIC CHIP	0.1uF 50V

Ref. No.	Part No.	Description	Remark
< CONNECTOR >			
* CN1011	1-564-704-11	PIN, CONNECTOR (SMALL TYPE) 2P	
CN1012	1-779-978-11	PIN, CONNECTOR 3P	
< JACK >			
J1001	1-815-313-21	JACK (PHONES)	
< SHORT >			
JW1011	1-216-295-00	SHORT CHIP	0
JW1012	1-216-295-00	SHORT CHIP	0
JW1013	1-216-295-00	SHORT CHIP	0
JW1014	1-216-295-00	SHORT CHIP	0

	1-688-724-11	JOG BOARD	*****
< CONNECTOR >			
CN1013	1-785-820-11	CONNECTOR, BOARD TO BOARD 15P	
< DIODE >			
D1025	8-719-988-61	DIODE 1SS355TE-17	
D1026	8-719-988-61	DIODE 1SS355TE-17	
< RESISTOR >			
R1043	1-216-089-11	RES-CHIP	47K 5% 1/10W
R1044	1-216-089-11	RES-CHIP	47K 5% 1/10W
R1045	1-216-089-11	RES-CHIP	47K 5% 1/10W
R1046	1-216-089-11	RES-CHIP	47K 5% 1/10W
< ROTARY ENCODER >			
RV1001	1-478-017-11	ENCODER, ROTARY (BASS)	
RV1002	1-478-017-11	ENCODER, ROTARY (TREBLE)	
RV1003	1-478-017-11	ENCODER, ROTARY (MAIN MENU)	
RV1004	1-478-017-11	ENCODER, ROTARY (MENU)	
RV1005	1-478-017-11	ENCODER, ROTARY (-/+)	
< SWITCH >			
SW1001	1-762-684-11	SWITCH, ROTARY (SPEAKERS)	

	1-688-729-11	KEY BOARD	*****
< RESISTOR >			
R1056	1-216-057-00	RES-CHIP	2.2K 5% 1/10W
R1057	1-216-057-00	RES-CHIP	2.2K 5% 1/10W
R1058	1-216-049-11	RES-CHIP	1K 5% 1/10W
< SWITCH >			
S1015	1-771-349-21	SWITCH, KEYBOARD (MUSIC)	
S1016	1-771-349-21	SWITCH, KEYBOARD (MOVIE)	
S1017	1-771-349-21	SWITCH, KEYBOARD (A.F.D.)	
S1018	1-771-349-21	SWITCH, KEYBOARD (2CH)	

STR-DA3000ES

LED	POWER SW	POWER SW SUB	PRE-OUT
------------	-----------------	---------------------	----------------

Ref. No.	Part No.	Description	Remark		
	1-688-731-11	LED BOARD *****			
		< CONNECTOR >			
CN1021	1-564-718-11	PIN, CONNECTOR (SMALL TYPE) 2P			
		< LED >			
D1014	8-719-313-66	LED SEL6410E-TH12 (DIRECT)			
		< RESISTOR >			
R1025	1-216-029-00	RES-CHIP 150 5% 1/10W			

	A-4733-995-A	POWER SW BOARD, COMPLETE *****			
		< CAPACITOR >			
C1023	1-163-021-11	CERAMIC CHIP 0.01uF 10% 50V			
C1024	1-163-021-11	CERAMIC CHIP 0.01uF 10% 50V			
		< CONNECTOR >			
* CN1010	1-564-720-11	PIN, CONNECTOR (SMALL TYPE) 4P			
CN1022	1-506-481-11	PIN, CONNECTOR 2P			
		< DIODE >			
D1020	8-719-059-14	LED SID313BP-TP19 (IR RECEPTOR)			
D1021	8-719-075-86	LED SID307BRTP19 (IR RECEPTOR)			
D1022	8-719-075-86	LED SID307BRTP19 (IR RECEPTOR)			
D1023	8-719-988-61	DIODE 1SS355TE-17			
D1024	8-719-988-61	DIODE 1SS355TE-17			
		< IC >			
IC1005	8-759-242-70	IC TC7WU04F			
		< TRANSISTOR >			
Q1003	8-729-801-93	TRANSISTOR 2SD1387-3			
Q1004	8-729-801-93	TRANSISTOR 2SD1387-3			
		< RESISTOR >			
R1041	1-216-298-00	RES-CHIP 2.2 5% 1/10W			
R1042	1-216-298-00	RES-CHIP 2.2 5% 1/10W			

	1-860-316-11	POWER SW SUB BOARD *****			
		< SWITCH >			
S1013	1-771-349-21	SWITCH, KEYBOARD (I/Ⓞ)			

	A-4734-125-A	PRE-OUT BOARD, COMPLETE (US, CND) *****			
		< CAPACITOR >			
C2801	1-165-319-11	CERAMIC CHIP 0.1uF 50V			
C2802	1-165-319-11	CERAMIC CHIP 0.1uF 50V			
C2805	1-126-395-11	ELECT CHIP 22uF 20% 16V			
C2806	1-126-395-11	ELECT CHIP 22uF 20% 16V			

Ref. No.	Part No.	Description	Remark		
C2815	1-128-858-11	ELECT 22uF 20% 50V			
C2816	1-128-832-11	ELECT 220uF 20% 10V			
C2817	1-137-505-11	MYLAR 220PF 5% 100V			
C2818	1-128-858-11	ELECT 22uF 20% 50V			
C2819	1-163-251-11	CERAMIC CHIP 100PF 5% 50V			
C2822	1-163-021-11	CERAMIC CHIP 0.01uF 10% 50V			
C2823	1-164-161-11	CERAMIC CHIP 0.0022uF 10% 50V			
C2824	1-164-161-11	CERAMIC CHIP 0.0022uF 10% 50V			
C2834	1-216-295-00	SHORT CHIP 0			
C2835	1-128-858-11	ELECT 22uF 20% 50V			
C2836	1-128-832-11	ELECT 220uF 20% 10V			
C2837	1-137-505-11	MYLAR 220PF 5% 100V			
C2838	1-128-858-11	ELECT 22uF 20% 50V			
C2839	1-163-251-11	CERAMIC CHIP 100PF 5% 50V			
C2851	1-165-319-11	CERAMIC CHIP 0.1uF 50V			
C2865	1-128-858-11	ELECT 22uF 20% 50V			
C2866	1-128-832-11	ELECT 220uF 20% 10V			
C2867	1-137-505-11	MYLAR 220PF 5% 100V			
C2868	1-128-858-11	ELECT 22uF 20% 50V			
C2869	1-163-251-11	CERAMIC CHIP 100PF 5% 50V			
C2872	1-163-021-11	CERAMIC CHIP 0.01uF 10% 50V			
C2873	1-164-161-11	CERAMIC CHIP 0.0022uF 10% 50V			
C2874	1-164-161-11	CERAMIC CHIP 0.0022uF 10% 50V			
C2884	1-216-295-00	SHORT CHIP 0			
C2885	1-128-858-11	ELECT 22uF 20% 50V			
C2886	1-128-832-11	ELECT 220uF 20% 10V			
C2887	1-137-505-11	MYLAR 220PF 5% 100V			
C2888	1-128-858-11	ELECT 22uF 20% 50V			
C2889	1-163-251-11	CERAMIC CHIP 100PF 5% 50V			
C2901	1-165-319-11	CERAMIC CHIP 0.1uF 50V			
C2915	1-128-858-11	ELECT 22uF 20% 50V			
C2916	1-128-832-11	ELECT 220uF 20% 10V			
C2917	1-137-505-11	MYLAR 220PF 5% 100V			
C2918	1-128-858-11	ELECT 22uF 20% 50V			
C2919	1-163-251-11	CERAMIC CHIP 100PF 5% 50V			
C2922	1-163-021-11	CERAMIC CHIP 0.01uF 10% 50V			
C2923	1-164-161-11	CERAMIC CHIP 0.0022uF 10% 50V			
C2924	1-164-161-11	CERAMIC CHIP 0.0022uF 10% 50V			
C2934	1-216-295-00	SHORT CHIP 0			
C2935	1-128-858-11	ELECT 22uF 20% 50V			
C2936	1-128-832-11	ELECT 220uF 20% 10V			
C2937	1-137-505-11	MYLAR 220PF 5% 100V			
C2938	1-128-858-11	ELECT 22uF 20% 50V			
C2939	1-163-251-11	CERAMIC CHIP 100PF 5% 50V			
C2951	1-165-319-11	CERAMIC CHIP 0.1uF 50V			
C2965	1-128-858-11	ELECT 22uF 20% 50V			
C2966	1-128-832-11	ELECT 220uF 20% 10V			
C2967	1-137-505-11	MYLAR 220PF 5% 100V			
C2968	1-128-858-11	ELECT 22uF 20% 50V			
C2969	1-163-251-11	CERAMIC CHIP 100PF 5% 50V			
C2972	1-163-021-11	CERAMIC CHIP 0.01uF 10% 50V			
C2973	1-164-161-11	CERAMIC CHIP 0.0022uF 10% 50V			
C2974	1-164-161-11	CERAMIC CHIP 0.0022uF 10% 50V			
C2983	1-216-295-00	SHORT CHIP 0			
C2985	1-128-858-11	ELECT 22uF 20% 50V			
C2986	1-128-832-11	ELECT 220uF 20% 10V			
C2987	1-137-505-11	MYLAR 220PF 5% 100V			

PRE-OUT

Ref. No.	Part No.	Description	Remark	Ref. No.	Part No.	Description	Remark
C2988	1-128-858-11	ELECT 22uF 20%	50V	R2839	1-216-699-11	METAL CHIP 100K	0.5% 1/10W
C2989	1-163-251-11	CERAMIC CHIP 100PF 5%	50V	R2840	1-208-826-11	METAL CHIP 68K	0.5% 1/10W
< CONNECTOR >				R2842	1-216-627-11	METAL CHIP 100	0.5% 1/10W
CN2902	1-691-765-11	PLUG (MICRO CONNECTOR) 3P		R2844	1-208-437-41	RES-CHIP 1K	2% 1/10W
CN2903	1-779-977-11	PIN, CONNECTOR 6P		R2852	1-216-065-00	RES-CHIP 4.7K	5% 1/10W
CN2904	1-784-929-11	PIN, CONNECTOR 14P		R2853	1-216-073-00	RES-CHIP 1K	5% 1/10W
< DIODE >				△ R2854	1-249-393-11	CARBON 10	5% 1/4W F
D2801	8-719-988-61	DIODE 1SS355TE-17		R2855	1-216-097-11	RES-CHIP 100K	5% 1/10W
D2851	8-719-988-61	DIODE 1SS355TE-17		R2856	1-216-295-00	SHORT CHIP 0	
D2901	8-719-988-61	DIODE 1SS355TE-17		R2857	1-216-295-00	SHORT CHIP 0	
D2951	8-719-988-61	DIODE 1SS355TE-17		R2858	1-216-295-00	SHORT CHIP 0	
< IC >				R2867	1-208-437-41	RES-CHIP 1K	2% 1/10W
IC2812	6-702-387-01	IC CXD9725M		R2868	1-216-013-00	RES-CHIP 33	5% 1/10W
IC2813	8-759-832-29	IC NJM4580M-(TE2)		R2869	1-216-699-11	METAL CHIP 100K	0.5% 1/10W
IC2862	6-702-387-01	IC CXD9725M		R2870	1-208-826-11	METAL CHIP 68K	0.5% 1/10W
IC2863	8-759-832-29	IC NJM4580M-(TE2)		R2872	1-216-627-11	METAL CHIP 100	0.5% 1/10W
IC2912	6-702-387-01	IC CXD9725M		R2873	1-208-437-41	RES-CHIP 1K	2% 1/10W
IC2913	8-759-832-29	IC NJM4580M-(TE2)		R2887	1-208-437-41	RES-CHIP 1K	2% 1/10W
IC2962	6-702-387-01	IC CXD9725M		R2888	1-216-013-00	RES-CHIP 33	5% 1/10W
IC2963	8-759-832-29	IC NJM4580M-(TE2)		R2889	1-216-097-11	RES-CHIP 100K	5% 1/10W
< JACK >				R2890	1-208-826-11	METAL CHIP 68K	0.5% 1/10W
J2815	1-817-960-11	JACK, PIN 2P (SUB WOOFER AUDIO OUT, PREOUT CENTER)		R2892	1-216-627-11	METAL CHIP 100	0.5% 1/10W
J2875	1-793-525-21	JACK, PIN 2P (PREOUT SURROUND BACK)		R2893	1-208-437-41	RES-CHIP 1K	2% 1/10W
J2915	1-793-525-21	JACK, PIN 2P (PREOUT SURROUND)		R2902	1-216-065-00	RES-CHIP 4.7K	5% 1/10W
J2975	1-793-525-21	JACK, PIN 2P (PREOUT FRONT)		R2903	1-216-073-00	RES-CHIP 1K	5% 1/10W
< COIL >				△ R2904	1-249-393-11	CARBON 10	5% 1/4W F
L2801	1-410-509-11	MICRO INDUCTOR 10uH		R2905	1-216-097-11	RES-CHIP 100K	5% 1/10W
< TRANSISTOR >				R2906	1-216-295-00	SHORT CHIP 0	
Q2800	8-729-027-24	TRANSISTOR DTA114TKA-T146		R2907	1-216-295-00	SHORT CHIP 0	
Q2801	8-729-230-49	TRANSISTOR 2SC2712-YG		R2908	1-216-295-00	SHORT CHIP 0	
Q2851	8-729-230-49	TRANSISTOR 2SC2712-YG		R2917	1-208-437-41	RES-CHIP 1K	2% 1/10W
Q2901	8-729-230-49	TRANSISTOR 2SC2712-YG		R2918	1-216-013-00	RES-CHIP 33	5% 1/10W
Q2951	8-729-230-49	TRANSISTOR 2SC2712-YG		R2919	1-216-097-11	RES-CHIP 100K	5% 1/10W
< RESISTOR >				R2920	1-208-826-11	METAL CHIP 68K	0.5% 1/10W
R2802	1-216-065-00	RES-CHIP 4.7K 5%	1/10W	R2922	1-216-627-11	METAL CHIP 100	0.5% 1/10W
R2803	1-216-073-00	RES-CHIP 1K 5%	1/10W	R2923	1-208-437-41	RES-CHIP 1K	2% 1/10W
△ R2804	1-249-393-11	CARBON 10 5%	1/4W F	R2937	1-208-437-41	RES-CHIP 1K	2% 1/10W
R2805	1-216-097-11	RES-CHIP 100K 5%	1/10W	R2938	1-216-013-00	RES-CHIP 33	5% 1/10W
R2806	1-216-295-00	SHORT CHIP 0		R2939	1-216-097-11	RES-CHIP 100K	5% 1/10W
R2807	1-216-295-00	SHORT CHIP 0		R2940	1-208-826-11	METAL CHIP 68K	0.5% 1/10W
R2808	1-216-295-00	SHORT CHIP 0		R2942	1-216-627-11	METAL CHIP 100	0.5% 1/10W
R2817	1-208-437-41	RES-CHIP 1K 2%	1/10W	R2943	1-208-437-41	RES-CHIP 1K	2% 1/10W
R2818	1-216-013-00	RES-CHIP 33 5%	1/10W	R2952	1-216-065-00	RES-CHIP 4.7K	5% 1/10W
R2819	1-216-097-11	RES-CHIP 100K 5%	1/10W	R2953	1-216-073-00	RES-CHIP 1K	5% 1/10W
R2820	1-208-826-11	METAL CHIP 68K 0.5%	1/10W	△ R2954	1-249-393-11	CARBON 10	5% 1/4W F
R2822	1-216-627-11	METAL CHIP 100 0.5%	1/10W	R2956	1-216-295-00	SHORT CHIP 0	
R2824	1-208-437-41	RES-CHIP 1K 2%	1/10W	R2957	1-216-295-00	SHORT CHIP 0	
R2835	1-216-097-11	RES-CHIP 100K 5%	1/10W	R2958	1-216-295-00	SHORT CHIP 0	
R2837	1-208-437-41	RES-CHIP 1K 2%	1/10W	R2967	1-208-437-41	RES-CHIP 1K	2% 1/10W
R2838	1-216-013-00	RES-CHIP 33 5%	1/10W	R2968	1-216-013-00	RES-CHIP 33	5% 1/10W
				R2969	1-216-097-11	RES-CHIP 100K	5% 1/10W
				R2970	1-208-826-11	METAL CHIP 68K	0.5% 1/10W
				R2972	1-216-627-11	METAL CHIP 100	0.5% 1/10W
				R2973	1-208-437-41	RES-CHIP 1K	2% 1/10W
				R2987	1-208-437-41	RES-CHIP 1K	2% 1/10W
				R2988	1-216-013-00	RES-CHIP 33	5% 1/10W
				R2989	1-216-097-11	RES-CHIP 100K	5% 1/10W
				R2990	1-208-826-11	METAL CHIP 68K	0.5% 1/10W

The components identified by mark △ or dotted line with mark △ are critical for safety. Replace only with part number specified.

Les composants identifiés par une marque △ sont critiques pour la sécurité. Ne les remplacer que par une pièce portant le numéro spécifié.

STR-DA3000ES

PRE-OUT

REG

Ref. No.	Part No.	Description	Remark
R2992	1-216-627-11	METAL CHIP	100 0.5% 1/10W
R2993	1-208-437-41	RES-CHIP	1K 2% 1/10W
		< RELAY >	
RY2801	1-755-486-11	RELAY	
RY2851	1-755-486-11	RELAY	
RY2901	1-755-486-11	RELAY	
RY2951	1-755-486-11	RELAY	

	A-4734-121-A	REG BOARD, COMPLETE (US, CND)	
	A-4734-162-A	REG BOARD, COMPLETE (EXCEPT US, CND)	

	7-685-646-79	SCREW +BVTP 3X8 TYPE2 IT-3	
		< CAPACITOR >	
C905	1-137-150-11	MYLAR	0.01uF 5% 100V
C906	1-165-319-11	CERAMIC CHIP	0.1uF 50V
C907	1-119-793-11	ELECT	1000uF 20% 16V (EXCEPT US, CND)
C907	1-127-720-91	ELECT	470uF 20% 16V (US, CND)
C908	1-165-319-11	CERAMIC CHIP	0.1uF 50V
C909	1-119-825-11	ELECT	22uF 20% 50V (EXCEPT US, CND)
C909	1-128-858-11	ELECT	22uF 20% 50V (US, CND)
C910	1-119-857-21	ELECT	470uF 20% 100V (EXCEPT US, CND)
C910	1-128-889-51	ELECT	470uF 20% 100V (US, CND)
C911	1-100-188-11	MYLAR	0.75uF 5% 250V
C913	1-100-694-11	ELECT	12000uF 20% 71V
C914	1-100-188-11	MYLAR	0.75uF 5% 250V
C915	1-127-718-91	ELECT	100uF 20% 16V
C916	1-165-319-11	CERAMIC CHIP	0.1uF 50V
C917	1-127-718-91	ELECT	100uF 20% 16V
C918	1-165-319-11	CERAMIC CHIP	0.1uF 50V
C919	1-127-718-91	ELECT	100uF 20% 16V
C920	1-165-319-11	CERAMIC CHIP	0.1uF 50V
C921	1-135-660-51	ELECT	6800uF 6.3V (EXCEPT US, CND)
C921	1-137-662-91	ELECT	6800uF 20% 6.3V (US, CND)
C922	1-165-319-11	CERAMIC CHIP	0.1uF 50V
C923	1-135-660-51	ELECT	6800uF 6.3V (EXCEPT US, CND)
C923	1-137-662-91	ELECT	6800uF 20% 6.3V (US, CND)
C924	1-165-319-11	CERAMIC CHIP	0.1uF 50V
C925	1-165-319-11	CERAMIC CHIP	0.1uF 50V
C926	1-127-718-91	ELECT	100uF 20% 16V
C927	1-165-319-11	CERAMIC CHIP	0.1uF 50V
C928	1-127-718-91	ELECT	100uF 20% 16V
C929	1-127-718-91	ELECT	100uF 20% 16V
C930	1-128-832-11	ELECT	220uF 20% 10V (US, CND)
C931	1-165-319-11	CERAMIC CHIP	0.1uF 50V (US, CND)

Ref. No.	Part No.	Description	Remark
C933	1-128-832-11	ELECT	220uF 20% 10V (US, CND)
C934	1-165-319-11	CERAMIC CHIP	0.1uF 50V (US, CND)
C935	1-119-824-11	ELECT	10uF 20% 50V (US, CND)
C936	1-128-832-11	ELECT	220uF 20% 10V (US, CND)
C937	1-165-319-11	CERAMIC CHIP	0.1uF 50V (US, CND)
C938	1-119-824-11	ELECT	10uF 20% 50V (US, CND)
C939	1-165-319-11	CERAMIC CHIP	0.1uF 50V (US, CND)
C940	1-128-832-11	ELECT	220uF 20% 10V (US, CND)
C941	1-119-824-31	ELECT	10uF 20% 50V (EXCEPT US, CND)
C942	1-119-801-21	ELECT	220uF 20% 25V (EXCEPT US, CND)
C943	1-165-319-11	CERAMIC CHIP	0.1uF 50V (EXCEPT US, CND)
C944	1-165-319-11	CERAMIC CHIP	0.1uF 50V (EXCEPT US, CND)
C945	1-119-801-21	ELECT	220uF 20% 25V (EXCEPT US, CND)
C947	1-165-319-11	CERAMIC CHIP	0.1uF 50V
C948	1-119-824-31	ELECT	10uF 20% 50V (EXCEPT US, CND)
C948	1-119-824-11	ELECT	10uF 20% 50V (US, CND)
C949	1-165-319-11	CERAMIC CHIP	0.1uF 50V (US, CND)
C950	1-128-839-11	ELECT	33uF 20% 16V (US, CND)
C951	1-127-718-91	ELECT	100uF 20% 16V
C960	1-119-835-31	ELECT	33uF 20% 63V (EXCEPT US, CND)
C960	1-128-839-11	ELECT	33uF 20% 16V (US, CND)
C961	1-128-839-11	ELECT	33uF 20% 16V (US, CND)
C962	1-128-839-11	ELECT	33uF 20% 16V (US, CND)
C963	1-128-839-11	ELECT	33uF 20% 16V (US, CND)
C964	1-128-839-11	ELECT	33uF 20% 16V (US, CND)
C965	1-128-839-11	ELECT	33uF 20% 16V (US, CND)
C966	1-128-839-11	ELECT	33uF 20% 16V (US, CND)
C967	1-128-839-11	ELECT	33uF 20% 16V (US, CND)
C968	1-137-365-11	MYLAR	0.0015uF 5% 50V
C969	1-137-365-11	MYLAR	0.0015uF 5% 50V (US, CND)
C970	1-137-365-11	MYLAR	0.0015uF 5% 50V (US, CND)
C971	1-137-365-11	MYLAR	0.0015uF 5% 50V (US, CND)
C972	1-137-365-11	MYLAR	0.0015uF 5% 50V (US, CND)

The components identified by mark Δ or dotted line with mark Δ are critical for safety. Replace only with part number specified.	Les composants identifiés par une marque Δ sont critiques pour la sécurité. Ne les remplacer que par une pièce portant le numéro spécifié.
--	---

Ref. No.	Part No.	Description	Remark	Ref. No.	Part No.	Description	Remark
C973	1-137-365-11	MYLAR	0.0015uF 5% 50V (US, CND)	C4009	1-119-825-11	ELECT	22uF 20% 50V (EXCEPT US, CND)
C974	1-137-365-11	MYLAR	0.0015uF 5% 50V (US, CND)	C4009	1-128-858-11	ELECT	22uF 20% 50V (US, CND)
C975	1-137-365-11	MYLAR	0.0015uF 5% 50V (US, CND)	C4010	1-119-825-11	ELECT	22uF 20% 50V (EXCEPT US, CND)
C976	1-136-357-11	MYLAR	680PF 5% 100V	C4010	1-128-858-11	ELECT	22uF 20% 50V (US, CND)
C977	1-136-357-11	MYLAR	680PF 5% 100V (US, CND)			< CONNECTOR >	
C978	1-136-357-11	MYLAR	680PF 5% 100V (US, CND)	CN903	1-691-765-11	PLUG (MICRO CONNECTOR) 3P	
C979	1-136-357-11	MYLAR	680PF 5% 100V (US, CND)	CN907	1-691-766-11	PLUG (MICRO CONNECTOR) 4P	
C980	1-136-357-11	MYLAR	680PF 5% 100V (US, CND)	CN909	1-784-926-11	PIN, CONNECTOR 11P	
C981	1-136-357-11	MYLAR	680PF 5% 100V (US, CND)	* CN910	1-564-704-11	PIN, CONNECTOR (SMALL TYPE) 2P	
C982	1-136-357-11	MYLAR	680PF 5% 100V (US, CND)	CN911	1-784-786-11	CONNECTOR, FFC 25P	
C983	1-136-357-11	MYLAR	680PF 5% 100V (US, CND)	CN912	1-691-766-11	PLUG (MICRO CONNECTOR) 4P	
C984	1-136-356-11	MYLAR	470PF 5% 100V	CN913	1-779-977-11	PIN, CONNECTOR 6P	
C985	1-136-356-11	MYLAR	470PF 5% 100V (US, CND)	CN914	1-784-929-11	PIN, CONNECTOR 14P (US, CND)	
C986	1-136-356-11	MYLAR	470PF 5% 100V (US, CND)	CN917	1-564-320-00	PIN, CONNECTOR (3.96MM PITCH) 2P	
C987	1-136-356-11	MYLAR	470PF 5% 100V (US, CND)	* CN919	1-564-704-11	PIN, CONNECTOR (SMALL TYPE) 2P	
C988	1-136-356-11	MYLAR	470PF 5% 100V (US, CND)	CN4002	1-691-767-11	PLUG (MICRO CONNECTOR) 5P	
C989	1-136-356-11	MYLAR	470PF 5% 100V (US, CND)			< DIODE >	
C990	1-136-356-11	MYLAR	470PF 5% 100V (US, CND)	D901	8-719-988-61	DIODE 1SS355TE-17	
C991	1-136-356-11	MYLAR	470PF 5% 100V (US, CND)	D902	8-719-988-61	DIODE 1SS355TE-17	
C992	1-119-835-31	ELECT	33uF 20% 63V (EXCEPT US, CND)	D903	8-719-053-18	DIODE 1SR154-400TE-25	
C992	1-128-839-11	ELECT	33uF 20% 16V (US, CND)	D904	8-719-053-18	DIODE 1SR154-400TE-25	
C993	1-128-839-11	ELECT	33uF 20% 16V (US, CND)	D905	8-719-053-18	DIODE 1SR154-400TE-25	
C994	1-128-839-11	ELECT	33uF 20% 16V (US, CND)	D906	8-719-069-56	DIODE UDZSTE-176.2B	
C995	1-128-839-11	ELECT	33uF 20% 16V (US, CND)	D907	8-719-049-09	DIODE 1SS367-T3SONY	
C996	1-128-839-11	ELECT	33uF 20% 16V (US, CND)	D908	8-719-049-09	DIODE 1SS367-T3SONY	
C997	1-128-839-11	ELECT	33uF 20% 16V (US, CND)	D935	8-719-801-78	DIODE 1SS184 (EXCEPT US, CND)	
C998	1-128-839-11	ELECT	33uF 20% 16V (US, CND)			< GROUND TERMINAL >	
C999	1-128-839-11	ELECT	33uF 20% 16V (US, CND)	* E901	1-537-738-21	TERMINAL, EARTH	
C4001	1-127-728-51	ELECT	2200uF 20% 25V	* E902	1-537-738-21	TERMINAL, EARTH	
C4002	1-127-728-51	ELECT	2200uF 20% 25V	* E903	1-537-738-21	TERMINAL, EARTH	
C4003	1-100-023-31	ELECT	39uF 20% 16V	* E4001	1-537-738-21	TERMINAL, EARTH	
C4004	1-100-023-31	ELECT	39uF 20% 16V	* E4002	1-537-738-21	TERMINAL, EARTH	
C4005	1-165-319-11	CERAMIC CHIP	0.1uF 50V			< GROUND TERMINAL >	
C4006	1-165-319-11	CERAMIC CHIP	0.1uF 50V	* EP901	4-924-264-21	TERMINAL, MOUNT	
C4007	1-165-319-11	CERAMIC CHIP	0.1uF 50V	* EP902	4-924-264-21	TERMINAL, MOUNT	
C4008	1-165-319-11	CERAMIC CHIP	0.1uF 50V			< FERRITE BEAD >	
				FB931	1-469-152-11	FERRITE, EMI (SMD) (2012) (US, CND)	
				FB932	1-469-152-11	FERRITE, EMI (SMD) (2012) (US, CND)	
				FB933	1-469-152-11	FERRITE, EMI (SMD) (2012) (EXCEPT US, CND)	
				FB934	1-469-152-11	FERRITE, EMI (SMD) (2012) (EXCEPT US, CND)	
						< IC/TRANSISTOR >	
				IC903	8-759-545-66	IC NJM3414AMP (TE2)	
				IC911	8-759-445-59	IC BA033T	
				IC912	8-759-231-53	IC TA7805S	
				* IC913	8-729-045-93	TRANSISTOR IMZ4T108	
				IC931	6-703-420-01	IC DSD1751DBQR (EXCEPT US, CND)	

REG

Ref. No.	Part No.	Description	Remark
IC934	8-759-832-29	IC NJM4580M-(TE2)	
IC935	8-759-832-29	IC NJM4580M-(TE2) (US, CND)	
IC936	8-759-832-29	IC NJM4580M-(TE2) (US, CND)	
IC937	8-759-832-29	IC NJM4580M-(TE2) (US, CND)	
IC940	8-759-524-50	IC TC74VHC541FT (EL) (US, CND)	
IC940	8-759-524-60	IC AK4512-VF-E2 (EXCEPT US, CND)	
IC941	8-759-524-50	IC TC74VHC541FT (EL) (US, CND)	
IC2801	6-704-131-01	IC DSD1608PAHR (US, CND)	
IC4001	8-759-473-41	IC BA10T	
IC4002	8-759-604-50	IC M5F7910L	
< SHORT >			
JW901	1-216-295-00	SHORT CHIP	0
JW902	1-216-295-00	SHORT CHIP	0
JW903	1-216-295-00	SHORT CHIP	0
< COIL >			
L901	1-456-545-11	COIL, CHOKE	100uH
L902	1-456-545-11	COIL, CHOKE	100uH
L4001	1-409-575-11	COIL, CHOKE	1mH
L4002	1-456-520-11	COIL, CHOKE	1mH
< TRANSISTOR >			
Q905	8-729-216-31	TRANSISTOR	2SA1163-G
Q906	8-729-271-31	TRANSISTOR	2SC2713-G
Q908	8-729-271-31	TRANSISTOR	2SC2713-G
Q911	8-729-027-23	TRANSISTOR	DTA114EKA-T146
Q912	8-729-027-43	TRANSISTOR	DTC114EKA-T146
Q913	6-550-363-01	TRANSISTOR	2SB1690KT146
Q914	8-729-027-43	TRANSISTOR	DTC114EKA-T146
Q959	8-729-024-91	TRANSISTOR	2SC2712-GL-TE85L
< RESISTOR >			
R905	1-249-589-11	CARBON	36K 5% 1/4W
R906	1-247-807-31	CARBON	100 5% 1/4W
R907	1-216-057-00	RES-CHIP	2.2K 5% 1/10W
△ R908	1-216-369-00	METAL OXIDE	1 5% 2W F
R909	1-216-113-00	RES-CHIP	470K 5% 1/10W
R910	1-216-073-00	RES-CHIP	1K 5% 1/10W
R911	1-216-063-00	RES-CHIP	3.9K 5% 1/10W
R912	1-216-077-00	RES-CHIP	15K 5% 1/10W
R913	1-216-049-11	RES-CHIP	1K 5% 1/10W
R914	1-216-295-00	SHORT CHIP	0
R915	1-216-025-11	RES-CHIP	100 5% 1/10W
R916	1-216-073-00	RES-CHIP	1K 5% 1/10W
R917	1-215-869-11	METAL OXIDE	1K 5% 1W
R918	1-216-025-11	RES-CHIP	100 5% 1/10W
R919	1-249-923-11	CARBON	1K 1% 1/4W
R920	1-249-923-11	CARBON	1K 1% 1/4W
R921	1-216-073-00	RES-CHIP	1K 5% 1/10W
R922	1-249-607-11	CARBON	200K 5% 1/4W
R927	1-249-960-11	CARBON	36K 1% 1/4W
R928	1-249-937-11	CARBON	3.9K 1% 1/4W
R929	1-216-057-00	RES-CHIP	2.2K 5% 1/10W
R930	1-216-057-00	RES-CHIP	2.2K 5% 1/10W
R931	1-216-071-00	RES-CHIP	8.2K 5% 1/10W
R933	1-216-025-11	RES-CHIP	100 5% 1/10W (US, CND)
R934	1-216-025-11	RES-CHIP	100 5% 1/10W

Ref. No.	Part No.	Description	Remark
R935	1-216-025-11	RES-CHIP	100 5% 1/10W (US, CND)
R936	1-216-025-11	RES-CHIP	100 5% 1/10W (US, CND)
R937	1-216-025-11	RES-CHIP	100 5% 1/10W
R938	1-216-025-11	RES-CHIP	100 5% 1/10W
R939	1-216-025-11	RES-CHIP	100 5% 1/10W
R940	1-216-025-11	RES-CHIP	100 5% 1/10W
R941	1-216-025-11	RES-CHIP	100 5% 1/10W (US, CND)
R942	1-216-025-11	RES-CHIP	100 5% 1/10W (US, CND)
R943	1-216-025-11	RES-CHIP	100 5% 1/10W (US, CND)
R944	1-216-025-11	RES-CHIP	100 5% 1/10W
R945	1-216-025-11	RES-CHIP	100 5% 1/10W (US, CND)
R946	1-216-025-11	RES-CHIP	100 5% 1/10W (US, CND)
R947	1-216-025-11	RES-CHIP	100 5% 1/10W (US, CND)
R948	1-216-025-11	RES-CHIP	100 5% 1/10W (US, CND)
R949	1-216-025-11	RES-CHIP	100 5% 1/10W
R950	1-216-025-11	RES-CHIP	100 5% 1/10W (US, CND)
R951	1-216-025-11	RES-CHIP	100 5% 1/10W
R952	1-216-025-11	RES-CHIP	100 5% 1/10W
R953	1-216-025-11	RES-CHIP	100 5% 1/10W
R954	1-216-033-00	RES-CHIP	220 5% 1/10W
R955	1-216-001-00	RES-CHIP	10 5% 1/10W
R956	1-216-049-11	RES-CHIP	1K 5% 1/10W
R960	1-216-208-00	RES-CHIP	2.7K 2% 1/8W (US, CND)
R960	1-260-001-11	CARBON MELF	2.7K 2% 1/8W (EXCEPT US, CND)
R961	1-216-661-11	METAL CHIP	2.7K 0.5% 1/10W (US, CND)
R962	1-216-661-11	METAL CHIP	2.7K 0.5% 1/10W (US, CND)
R963	1-216-661-11	METAL CHIP	2.7K 0.5% 1/10W (US, CND)
R964	1-216-661-11	METAL CHIP	2.7K 0.5% 1/10W (US, CND)
R965	1-216-661-11	METAL CHIP	2.7K 0.5% 1/10W (US, CND)
R966	1-216-661-11	METAL CHIP	2.7K 0.5% 1/10W (US, CND)
R967	1-216-661-11	METAL CHIP	2.7K 0.5% 1/10W (US, CND)
R968	1-208-506-11	RES-CHIP	6.8K 2% 1/8W (US, CND)
R968	1-249-427-11	CARBON	6.8K 5% 1/4W (EXCEPT US, CND)
R969	1-216-671-11	METAL CHIP	6.8K 0.5% 1/10W (US, CND)
R970	1-216-671-11	METAL CHIP	6.8K 0.5% 1/10W (US, CND)
R971	1-216-671-11	METAL CHIP	6.8K 0.5% 1/10W (US, CND)
R972	1-216-671-11	METAL CHIP	6.8K 0.5% 1/10W

The components identified by mark △ or dotted line with mark △ are critical for safety. Replace only with part number specified.	Les composants identifiés par une marque △ sont critiques pour la sécurité. Ne les remplacer que par une pièce portant le numéro spécifié.
--	--

REG	S-VIDEO
-----	---------

Ref. No.	Part No.	Description	Remark	Ref. No.	Part No.	Description	Remark
R973	1-216-671-11	METAL CHIP	6.8K 0.5% 1/10W (US, CND)	R1001	1-216-025-11	RES-CHIP	100 5% 1/10W (US, CND)
R974	1-216-671-11	METAL CHIP	6.8K 0.5% 1/10W (US, CND)	R1002	1-216-025-11	RES-CHIP	100 5% 1/10W (US, CND)
R975	1-216-671-11	METAL CHIP	6.8K 0.5% 1/10W (US, CND)	R1003	1-216-025-11	RES-CHIP	100 5% 1/10W
R976	1-208-810-11	METAL CHIP	15K 0.5% 1/10W (US, CND)	R1004	1-216-025-11	RES-CHIP	100 5% 1/10W
R976	1-260-010-11	CARBON MELF	15K 2% 1/8W (EXCEPT US, CND)	R1005	1-216-025-11	RES-CHIP	100 5% 1/10W
R977	1-208-810-11	METAL CHIP	15K 0.5% 1/10W (US, CND)	R1006	1-216-025-11	RES-CHIP	100 5% 1/10W
R978	1-208-810-11	METAL CHIP	15K 0.5% 1/10W (US, CND)	R1007	1-216-025-11	RES-CHIP	100 5% 1/10W
R979	1-208-810-11	METAL CHIP	15K 0.5% 1/10W (US, CND)	R1008	1-216-025-11	RES-CHIP	100 5% 1/10W (US, CND)
R980	1-208-810-11	METAL CHIP	15K 0.5% 1/10W (US, CND)	R1009	1-216-025-11	RES-CHIP	100 5% 1/10W (US, CND)
R981	1-208-810-11	METAL CHIP	15K 0.5% 1/10W (US, CND)	R1010	1-216-025-11	RES-CHIP	100 5% 1/10W (US, CND)
R982	1-208-810-11	METAL CHIP	15K 0.5% 1/10W (US, CND)	R1011	1-216-025-11	RES-CHIP	100 5% 1/10W (US, CND)
R983	1-208-810-11	METAL CHIP	15K 0.5% 1/10W (US, CND)	R1012	1-216-025-11	RES-CHIP	100 5% 1/10W (US, CND)
R984	1-216-222-00	RES-CHIP	1K 2% 1/8W (US, CND)	R1013	1-216-025-11	RES-CHIP	100 5% 1/10W (US, CND)
R984	1-260-008-11	CARBON MELF	1K 2% 1/8W (EXCEPT US, CND)	R1014	1-216-025-11	RES-CHIP	100 5% 1/10W (US, CND)
R985	1-208-462-41	RES-CHIP	1K 2% 1/10W (US, CND)	R1015	1-216-025-11	RES-CHIP	100 5% 1/10W (US, CND)
R985	1-216-295-00	SHORT CHIP	0 (EXCEPT US, CND)	R1019	1-216-246-00	RES-CHIP	100K 2% 1/8W (US, CND)
R986	1-208-462-41	RES-CHIP	1K 2% 1/10W (US, CND)	R1019	1-260-020-11	CARBON MELF	100K 2% 1/8W (EXCEPT US, CND)
R987	1-208-462-41	RES-CHIP	1K 2% 1/10W (US, CND)	R1020	1-216-699-11	METAL CHIP	100K 0.5% 1/10W (US, CND)
R988	1-208-462-41	RES-CHIP	1K 2% 1/10W (US, CND)	R1021	1-216-699-11	METAL CHIP	100K 0.5% 1/10W (US, CND)
R989	1-208-462-41	RES-CHIP	1K 2% 1/10W (US, CND)	R1022	1-216-699-11	METAL CHIP	100K 0.5% 1/10W (US, CND)
R990	1-208-462-41	RES-CHIP	1K 2% 1/10W (US, CND)	R1023	1-216-699-11	METAL CHIP	100K 0.5% 1/10W (US, CND)
R991	1-208-462-41	RES-CHIP	1K 2% 1/10W (US, CND)	R1024	1-216-699-11	METAL CHIP	100K 0.5% 1/10W (US, CND)
R992	1-216-222-00	RES-CHIP	1K 2% 1/8W (US, CND)	R1025	1-216-699-11	METAL CHIP	100K 0.5% 1/10W (US, CND)
R992	1-260-008-11	CARBON MELF	1K 2% 1/8W (EXCEPT US, CND)	R1026	1-216-699-11	METAL CHIP	100K 0.5% 1/10W (US, CND)
R993	1-208-462-41	RES-CHIP	1K 2% 1/10W (US, CND)	R1027	1-216-057-00	RES-CHIP	2.2K 5% 1/10W
R994	1-208-462-41	RES-CHIP	1K 2% 1/10W (US, CND)	R4005	1-217-806-11	RES-CHIP	1 5% 1/8W
R995	1-208-462-41	RES-CHIP	1K 2% 1/10W (US, CND)	*****			
R996	1-208-462-41	RES-CHIP	1K 2% 1/10W (US, CND)	A-4734-123-A S-VIDEO BOARD, COMPLETE			
R997	1-208-462-41	RES-CHIP	1K 2% 1/10W (US, CND)	*****			
R998	1-208-462-41	RES-CHIP	1K 2% 1/10W (US, CND)	< CAPACITOR >			
R999	1-208-462-41	RES-CHIP	1K 2% 1/10W (US, CND)	C72	1-165-319-11	CERAMIC CHIP	0.1uF 50V
R1000	1-216-025-11	RES-CHIP	100 5% 1/10W	C701	1-165-319-11	CERAMIC CHIP	0.1uF 50V
				C702	1-137-658-91	ELECT	1000uF 20% 6.3V
				C711	1-165-319-11	CERAMIC CHIP	0.1uF 50V
				C712	1-165-319-11	CERAMIC CHIP	0.1uF 50V
				C713	1-119-824-11	ELECT	10uF 20% 50V
				C714	1-165-319-11	CERAMIC CHIP	0.1uF 50V
				C715	1-165-319-11	CERAMIC CHIP	0.1uF 50V
				C716	1-119-824-11	ELECT	10uF 20% 50V
				C722	1-163-243-11	CERAMIC CHIP	47PF 5% 50V

STR-DA3000ES

S-VIDEO SPTM (A) SPTM (B) SPTM (C)

Ref. No.	Part No.	Description	Remark
C723	1-163-243-11	CERAMIC CHIP 47PF 5%	50V
C724	1-165-319-11	CERAMIC CHIP 0.1uF	50V
C725	1-165-319-11	CERAMIC CHIP 0.1uF	50V
C726	1-119-824-11	ELECT 10uF 20%	50V
C731	1-165-319-11	CERAMIC CHIP 0.1uF	50V
C732	1-163-243-11	CERAMIC CHIP 47PF 5%	50V
C733	1-163-243-11	CERAMIC CHIP 47PF 5%	50V
C734	1-165-319-11	CERAMIC CHIP 0.1uF	50V
C735	1-165-319-11	CERAMIC CHIP 0.1uF	50V
C736	1-119-824-11	ELECT 10uF 20%	50V
C737	1-128-830-11	ELECT 47uF 20%	10V
C738	1-128-830-11	ELECT 47uF 20%	10V
C739	1-128-830-11	ELECT 47uF 20%	10V
C740	1-128-830-11	ELECT 47uF 20%	10V
C741	1-119-824-11	ELECT 10uF 20%	50V
C742	1-165-319-11	CERAMIC CHIP 0.1uF	50V
C743	1-163-038-00	CERAMIC CHIP 0.1uF	25V
C744	1-164-161-11	CERAMIC CHIP 0.0022uF 10%	50V
C745	1-164-161-11	CERAMIC CHIP 0.0022uF 10%	50V
C746	1-163-038-00	CERAMIC CHIP 0.1uF	25V
C747	1-164-161-11	CERAMIC CHIP 0.0022uF 10%	50V
C748	1-164-161-11	CERAMIC CHIP 0.0022uF 10%	50V
< CONNECTOR >			
CNP742	1-779-977-11	PIN, CONNECTOR 6P	
CNS741	1-784-778-11	CONNECTOR, FFC 17P	
< DIODE >			
D741	8-719-988-61	DIODE 1SS355TE-17	
D742	8-719-988-61	DIODE 1SS355TE-17	
< IC >			
IC701	8-759-536-24	IC NJM-2296M-TE2	
IC702	6-700-050-01	IC NJM2596M (TE2)	
< TERAMINAL/JACK >			
J701	1-537-943-11	TERMINAL, S (MONITOR OUT S2 VIDEO)	
J702	1-764-676-11	CONNECTOR (ROUND TYPE) (TV/SAT S2 VIDEO IN, DVD S2 VIDEO IN)	
J703	1-764-676-11	CONNECTOR (ROUND TYPE) (VIDEO2 S2 VIDEO OUT/S2 VIDEO IN)	
J704	1-764-676-11	CONNECTOR (ROUND TYPE) (VIDEO1 S2 VIDEO OUT/S2 VIDEO IN)	
< FERRITE BEAD >			
L741	1-500-425-11	FERRITE, EMI (SMD) (3216)	
L742	1-500-425-11	FERRITE, EMI (SMD) (3216)	
L743	1-500-425-11	FERRITE, EMI (SMD) (3216)	
L744	1-500-425-11	FERRITE, EMI (SMD) (3216)	
< RESISTOR >			
R701	1-216-022-00	RES-CHIP 75 5%	1/10W
R702	1-216-097-11	RES-CHIP 100K 5%	1/10W
R703	1-216-022-00	RES-CHIP 75 5%	1/10W
R704	1-216-049-11	RES-CHIP 1K 5%	1/10W
R705	1-216-295-00	SHORT CHIP 0	
R711	1-216-022-00	RES-CHIP 75 5%	1/10W
R712	1-216-022-00	RES-CHIP 75 5%	1/10W

Ref. No.	Part No.	Description	Remark
R713	1-216-022-00	RES-CHIP 75 5%	1/10W
R714	1-216-022-00	RES-CHIP 75 5%	1/10W
R715	1-216-295-00	SHORT CHIP 0	
R721	1-216-022-00	RES-CHIP 75 5%	1/10W
R722	1-216-097-11	RES-CHIP 100K 5%	1/10W
R723	1-216-022-00	RES-CHIP 75 5%	1/10W
R724	1-216-022-00	RES-CHIP 75 5%	1/10W
R725	1-216-022-00	RES-CHIP 75 5%	1/10W
R726	1-216-295-00	SHORT CHIP 0	
R731	1-216-022-00	RES-CHIP 75 5%	1/10W
R732	1-216-097-11	RES-CHIP 100K 5%	1/10W
R733	1-216-022-00	RES-CHIP 75 5%	1/10W
R734	1-216-022-00	RES-CHIP 75 5%	1/10W
R735	1-216-022-00	RES-CHIP 75 5%	1/10W
R736	1-216-295-00	SHORT CHIP 0	
R737	1-216-083-00	RES-CHIP 27K 5%	1/10W
R738	1-216-089-11	RES-CHIP 47K 5%	1/10W
R740	1-216-022-00	RES-CHIP 75 5%	1/10W
R741	1-216-022-00	RES-CHIP 75 5%	1/10W
R742	1-216-022-00	RES-CHIP 75 5%	1/10W
R743	1-216-097-11	RES-CHIP 100K 5%	1/10W
R744	1-216-097-11	RES-CHIP 100K 5%	1/10W
R745	1-216-097-11	RES-CHIP 100K 5%	1/10W
R746	1-216-097-11	RES-CHIP 100K 5%	1/10W
R747	1-216-097-11	RES-CHIP 100K 5%	1/10W
R748	1-216-295-00	SHORT CHIP 0	
R749	1-216-295-00	SHORT CHIP 0	
R750	1-216-022-00	RES-CHIP 75 5%	1/10W

1-860-490-11	SP TM (A) BOARD *****		
< CAPACITOR >			
CC004	1-100-156-91	CERAMIC CHIP 680PF 5%	100V
CC005	1-100-156-91	CERAMIC CHIP 680PF 5%	100V
CC011	1-100-156-91	CERAMIC CHIP 680PF 5%	100V
CC012	1-100-156-91	CERAMIC CHIP 680PF 5%	100V
CC018	1-100-156-91	CERAMIC CHIP 680PF 5%	100V
CC019	1-100-156-91	CERAMIC CHIP 680PF 5%	100V
CC025	1-100-156-91	CERAMIC CHIP 680PF 5%	100V
CC026	1-100-156-91	CERAMIC CHIP 680PF 5%	100V

1-860-491-11	SP TM (B) BOARD *****		
< CAPACITOR >			
CC051	1-100-156-91	CERAMIC CHIP 680PF 5%	100V
CC052	1-100-156-91	CERAMIC CHIP 680PF 5%	100V

1-860-492-11	SP TM (C) BOARD *****		
< CAPACITOR >			
CC055	1-100-156-91	CERAMIC CHIP 680PF 5%	100V
CC056	1-100-156-91	CERAMIC CHIP 680PF 5%	100V

SPTM (D) SPTM (E) SPTM (F)

SPTM (G) SPTM (H) SPTM (I) SPTM (J) SPTM (K) THERMISTOR VIDEO

Ref. No.	Part No.	Description	Remark
	1-860-493-11	SP TM (D) BOARD *****	
		< CAPACITOR >	
CC059	1-100-156-91	CERAMIC CHIP 680PF 5% 100V	
CC060	1-100-156-91	CERAMIC CHIP 680PF 5% 100V	

	1-860-494-11	SP TM (E) BOARD *****	
		< CAPACITOR >	
CC063	1-100-156-91	CERAMIC CHIP 680PF 5% 100V	
CC064	1-100-156-91	CERAMIC CHIP 680PF 5% 100V	

	1-860-495-11	SP TM (F) BOARD *****	
		< CAPACITOR >	
CC067	1-100-156-91	CERAMIC CHIP 680PF 5% 100V	
CC068	1-100-156-91	CERAMIC CHIP 680PF 5% 100V	

	1-860-496-11	SP TM (G) BOARD *****	
		< CAPACITOR >	
CC071	1-100-156-91	CERAMIC CHIP 680PF 5% 100V	
CC072	1-100-156-91	CERAMIC CHIP 680PF 5% 100V	

	1-860-497-11	SP TM (H) BOARD *****	
		< CAPACITOR >	
CC075	1-100-156-91	CERAMIC CHIP 680PF 5% 100V	
CC076	1-100-156-91	CERAMIC CHIP 680PF 5% 100V	

	1-860-498-11	SP TM (I) BOARD *****	
		< CAPACITOR >	
CC079	1-100-156-91	CERAMIC CHIP 680PF 5% 100V	
CC080	1-100-156-91	CERAMIC CHIP 680PF 5% 100V	

	1-860-499-11	SP TM (J) BOARD (US, CND) *****	
		< CAPACITOR >	
CC083	1-100-156-91	CERAMIC CHIP 680PF 5% 100V	
CC084	1-100-156-91	CERAMIC CHIP 680PF 5% 100V	

	1-860-500-11	SP TM (K) BOARD (US, CND) *****	
		< CAPACITOR >	
CC087	1-100-156-91	CERAMIC CHIP 680PF 5% 100V	

Ref. No.	Part No.	Description	Remark
CC088	1-100-156-91	CERAMIC CHIP 680PF 5% 100V *****	
	1-688-732-11	THERMISTOR BOARD *****	
		< THERMISTOR (POSITIVE) >	
THP901	1-817-728-11	SENSOR, THERMISTOR *****	
	A-4734-132-A	VIDEO BOARD, COMPLETE (US, CND)	
	A-4734-146-A	VIDEO BOARD, COMPLETE (TW, KR)	
	A-4734-159-A	VIDEO BOARD, COMPLETE (AEP) *****	
		< CAPACITOR >	
C3201	1-216-295-00	SHORT CHIP 0	
C3202	1-165-319-11	CERAMIC CHIP 0.1uF	50V
C3203	1-165-319-11	CERAMIC CHIP 0.1uF	50V
C3204	1-165-319-11	CERAMIC CHIP 0.1uF	50V
C3205	1-165-319-11	CERAMIC CHIP 0.1uF	50V
C3206	1-165-319-11	CERAMIC CHIP 0.1uF	50V
C3207	1-127-718-91	ELECT 100uF	20% 16V
C3208	1-163-021-11	CERAMIC CHIP 0.01uF	10% 50V
C3209	1-163-243-11	CERAMIC CHIP 47PF	5% 50V
C3311	1-126-962-11	ELECT 3.3uF	20% 50V
C3312	1-127-718-91	ELECT 100uF	20% 16V
C3313	1-126-916-11	ELECT 1000uF	20% 6.3V
C3314	1-165-319-11	CERAMIC CHIP 0.1uF	50V
C3315	1-126-964-11	ELECT 10uF	20% 50V
C3321	1-163-021-11	CERAMIC CHIP 0.01uF	10% 50V
C3322	1-163-021-11	CERAMIC CHIP 0.01uF	10% 50V
C3323	1-119-824-11	ELECT 10uF	20% 50V
C3324	1-119-824-11	ELECT 10uF	20% 50V
C3325	1-119-824-11	ELECT 10uF	20% 50V
C3401	1-119-824-11	ELECT 10uF	20% 50V (US, CND)
C3402	1-119-824-11	ELECT 10uF	20% 50V
C3403	1-119-824-11	ELECT 10uF	20% 50V (US, CND)
C3404	1-119-824-11	ELECT 10uF	20% 50V
C3405	1-119-824-11	ELECT 10uF	20% 50V (US, CND)
C3406	1-119-824-11	ELECT 10uF	20% 50V
C3407	1-119-824-11	ELECT 10uF	20% 50V (US, CND)
C3408	1-119-824-11	ELECT 10uF	20% 50V
C3409	1-163-243-11	CERAMIC CHIP 47PF	5% 50V
C3410	1-163-243-11	CERAMIC CHIP 47PF	5% 50V
C3411	1-163-243-11	CERAMIC CHIP 47PF	5% 50V
C3421	1-128-830-11	ELECT 47uF	20% 10V (US, CND)
C3422	1-128-830-11	ELECT 47uF	20% 10V (US, CND)
C3423	1-163-038-00	CERAMIC CHIP 0.1uF	25V (US, CND)
C3424	1-164-161-11	CERAMIC CHIP 0.0022uF	10% 50V (US, CND)
C3425	1-164-161-11	CERAMIC CHIP 0.0022uF	10% 50V (US, CND)

STR-DA3000ES

VIDEO

Ref. No.	Part No.	Description	Remark	Ref. No.	Part No.	Description	Remark
C3426	1-163-243-11	CERAMIC CHIP	47PF 5%	C3604	1-163-037-11	CERAMIC CHIP	0.022uF 10%
			50V (US, CND)	C3605	1-165-319-11	CERAMIC CHIP	0.1uF 50V
C3427	1-163-243-11	CERAMIC CHIP	47PF 5%				
			50V (US, CND)	C3606	1-119-824-11	ELECT	10uF 20%
C3428	1-119-824-11	ELECT	10uF 20%	C3607	1-165-319-11	CERAMIC CHIP	0.1uF 50V
			50V (US, CND)	C3608	1-165-319-11	CERAMIC CHIP	0.1uF 50V
C3431	1-128-830-11	ELECT	47uF 20%	C3609	1-165-319-11	CERAMIC CHIP	0.1uF 50V
C3432	1-128-830-11	ELECT	47uF 20%	C3610	1-165-319-11	CERAMIC CHIP	0.1uF 50V
			10V				
C3433	1-165-319-11	CERAMIC CHIP	0.1uF 50V	C3611	1-165-319-11	CERAMIC CHIP	0.1uF 50V
C3434	1-164-161-11	CERAMIC CHIP	0.0022uF 10%	C3612	1-165-319-11	CERAMIC CHIP	0.1uF 50V
C3435	1-164-161-11	CERAMIC CHIP	0.0022uF 10%	C3613	1-165-319-11	CERAMIC CHIP	0.1uF 50V
C3436	1-119-824-11	ELECT	10uF 20%	C3614	1-165-319-11	CERAMIC CHIP	0.1uF 50V
C3437	1-163-243-11	CERAMIC CHIP	47PF 5%	C3615	1-165-319-11	CERAMIC CHIP	0.1uF 50V
			50V				
C3438	1-163-251-11	CERAMIC CHIP	100PF 5%	C3616	1-127-718-91	ELECT	100uF 20%
C3439	1-165-319-11	CERAMIC CHIP	0.1uF 50V	C3617	1-165-319-11	CERAMIC CHIP	0.1uF 50V
C3440	1-165-319-11	CERAMIC CHIP	0.1uF 50V	C3621	1-163-231-11	CERAMIC CHIP	15PF 5%
C3441	1-165-319-11	CERAMIC CHIP	0.1uF 50V	C3622	1-127-718-91	ELECT	100uF 20%
C3442	1-165-319-11	CERAMIC CHIP	0.1uF 50V	C3623	1-119-824-11	ELECT	10uF 20%
			50V				
C3451	1-165-319-11	CERAMIC CHIP	0.1uF 50V	C3631	1-163-231-11	CERAMIC CHIP	15PF 5%
C3452	1-119-823-11	ELECT	4.7uF 20%	C3632	1-136-153-00	MYLAR	0.01uF 5%
C3453	1-128-858-11	ELECT	22uF 20%	C3633	1-136-165-00	MYLAR	0.1uF 5%
C3454	1-127-720-91	ELECT	470uF 20%	C3641	1-119-823-11	ELECT	4.7uF 20%
C3455	1-119-820-11	ELECT	1uF 20%	C3643	1-119-823-11	ELECT	4.7uF 20%
			50V				
C3456	1-119-820-11	ELECT	1uF 20%	C3644	1-128-858-11	ELECT	22uF 20%
C3501	1-163-239-11	CERAMIC CHIP	33PF 5%	C3645	1-127-718-91	ELECT	100uF 20%
C3502	1-163-227-11	CERAMIC CHIP	10PF 0.5PF	C3646	1-165-319-11	CERAMIC CHIP	0.1uF 50V
C3503	1-165-319-11	CERAMIC CHIP	0.1uF 50V	C3647	1-119-824-11	ELECT	10uF 20%
C3504	1-128-840-11	ELECT	47uF 20%	C3648	1-163-234-11	CERAMIC CHIP	20PF 5%
			16V				
C3505	1-165-319-11	CERAMIC CHIP	0.1uF 50V	C3649	1-128-858-11	ELECT	22uF 20%
C3506	1-163-251-11	CERAMIC CHIP	100PF 5%	C3651	1-164-161-11	CERAMIC CHIP	0.0022uF 10%
C3507	1-119-824-11	ELECT	10uF 20%	C3652	1-164-161-11	CERAMIC CHIP	0.0022uF 10%
C3508	1-119-824-11	ELECT	10uF 20%	C3653	1-165-319-11	CERAMIC CHIP	0.1uF 50V
C3509	1-163-021-11	CERAMIC CHIP	0.01uF 10%	C3661	1-164-161-11	CERAMIC CHIP	0.0022uF 10%
			50V				
C3510	1-163-235-11	CERAMIC CHIP	22PF 5%	C3662	1-164-161-11	CERAMIC CHIP	0.0022uF 10%
			50V (EXCEPT AEP)	C3663	1-165-319-11	CERAMIC CHIP	0.1uF 50V
C3511	1-163-091-00	CERAMIC CHIP	8PF 0.25PF	C3671	1-119-823-11	ELECT	4.7uF 20%
			50V (EXCEPT AEP)	C3672	1-127-718-91	ELECT	100uF 20%
C3512	1-165-319-11	CERAMIC CHIP	0.1uF 50V	C3673	1-119-823-11	ELECT	4.7uF 20%
C3513	1-128-840-11	ELECT	47uF 20%				
			16V (AEP)	C3674	1-128-858-11	ELECT	22uF 20%
C3514	1-165-319-11	CERAMIC CHIP	0.1uF 50V	C3675	1-127-718-91	ELECT	100uF 20%
			50V (AEP)	C3676	1-165-319-11	CERAMIC CHIP	0.1uF 50V
C3515	1-165-319-11	CERAMIC CHIP	0.1uF 50V	C3701	1-119-820-11	ELECT	1uF 20%
			50V (AEP)	C3702	1-119-820-11	ELECT	1uF 20%
C3516	1-163-235-11	CERAMIC CHIP	22PF 5%				
			50V (AEP)	C3703	1-136-165-00	MYLAR	0.1uF 5%
C3517	1-163-091-00	CERAMIC CHIP	8PF 0.25PF	C3704	1-136-165-00	MYLAR	0.1uF 5%
			50V (AEP)	C3705	1-136-165-00	MYLAR	0.1uF 5%
C3518	1-163-091-00	CERAMIC CHIP	8PF 0.25PF	C3706	1-136-165-00	MYLAR	0.1uF 5%
			50V (AEP)	C3707	1-163-231-11	CERAMIC CHIP	15PF 5%
C3519	1-163-235-11	CERAMIC CHIP	22PF 5%				
			50V (AEP)	C3708	1-163-231-11	CERAMIC CHIP	15PF 5%
C3521	1-128-834-11	ELECT	470uF 20%	C3709	1-128-854-11	ELECT	0.47uF 20%
C3522	1-128-834-11	ELECT	470uF 20%	C3710	1-163-133-00	CERAMIC CHIP	470PF 5%
C3523	1-128-834-11	ELECT	470uF 20%	C3711	1-165-319-11	CERAMIC CHIP	0.1uF 50V
C3524	1-128-840-11	ELECT	47uF 20%	C3712	1-127-718-91	ELECT	100uF 20%
C3525	1-165-319-11	CERAMIC CHIP	0.1uF 50V				
			50V	C3713	1-119-819-31	ELECT	0.47uF 20%
C3601	1-165-319-11	CERAMIC CHIP	0.1uF 50V	C3714	1-119-820-11	ELECT	1uF 20%
C3602	1-163-009-11	CERAMIC CHIP	0.001uF 10%	C3715	1-163-017-00	CERAMIC CHIP	0.0047uF 10%
C3603	1-165-319-11	CERAMIC CHIP	0.1uF 50V	C3717	1-119-819-31	ELECT	0.47uF 20%
			50V	C3718	1-163-021-11	CERAMIC CHIP	0.01uF 10%
			50V				

Ref. No.	Part No.	Description	Remark	Ref. No.	Part No.	Description	Remark
C3719	1-119-820-11	ELECT	1uF 20% 50V				
C3720	1-163-251-11	CERAMIC CHIP	100PF 5% 50V	FB3603	1-469-152-11	FERRITE, EMI (SMD) (2012)	
C3721	1-165-319-11	CERAMIC CHIP	0.1uF 50V	FB3661	1-469-152-11	FERRITE, EMI (SMD) (2012)	
C3722	1-163-251-11	CERAMIC CHIP	100PF 5% 50V	FB3751	1-469-152-11	FERRITE, EMI (SMD) (2012)	
C3724	1-127-718-91	ELECT	100uF 20% 16V	FB3801	1-469-152-11	FERRITE, EMI (SMD) (2012)	
C3725	1-128-840-11	ELECT	47uF 20% 16V			< FILTER >	
C3726	1-163-021-11	CERAMIC CHIP	0.01uF 10% 50V	FL3621	1-239-847-11	FILTER, LOW PASS	
C3731	1-126-962-11	ELECT	3.3uF 20% 50V	FL3631	1-239-847-11	FILTER, LOW PASS	
C3732	1-127-718-91	ELECT	100uF 20% 16V			< IC >	
C3733	1-126-916-11	ELECT	1000uF 20% 6.3V				
C3734	1-165-319-11	CERAMIC CHIP	0.1uF 50V	IC3201	8-759-663-90	IC ADM3222ARU-REEL	
C3741	1-119-823-11	ELECT	4.7uF 20% 50V	IC3311	8-759-822-05	IC LA7213	
C3743	1-119-823-11	ELECT	4.7uF 20% 50V	IC3321	8-759-663-94	IC LA7106M-TLM	
C3744	1-128-858-11	ELECT	22uF 20% 50V	IC3421	8-759-536-24	IC NJM-2296M-TE2 (US, CND)	
C3745	1-127-718-91	ELECT	100uF 20% 16V	IC3431	8-759-536-24	IC NJM-2296M-TE2	
C3746	1-165-319-11	CERAMIC CHIP	0.1uF 50V	IC3451	8-759-177-02	IC NJM2267M (TE2)	
C3751	1-165-319-11	CERAMIC CHIP	0.1uF 50V	IC3501	6-700-367-01	IC MB90089PF-G-238-BND	
C3752	1-164-161-11	CERAMIC CHIP	0.0022uF 10% 50V	IC3502	8-759-032-01	IC MC74HC00AF (AEP)	
C3753	1-164-161-11	CERAMIC CHIP	0.0022uF 10% 50V	IC3503	8-759-242-70	IC TC7WU04F (AEP)	
C3801	1-127-718-91	ELECT	100uF 20% 16V	IC3521	8-759-682-76	IC BA7622F-E2-A	
C3802	1-136-169-00	MYLAR	0.22uF 5% 50V	IC3601	8-752-386-17	IC CXD2064Q	
C3803	1-127-718-91	ELECT	100uF 20% 16V	IC3641	8-759-177-02	IC NJM2267M (TE2)	
C3804	1-136-169-00	MYLAR	0.22uF 5% 50V	IC3651	8-759-671-94	IC MC74HC4053AFEL	
C3805	1-127-718-91	ELECT	100uF 20% 16V	IC3661	8-759-671-94	IC MC74HC4053AFEL	
C3806	1-136-169-00	MYLAR	0.22uF 5% 50V	IC3671	8-759-429-17	IC NJM2268V (TE2)	
C3811	1-165-319-11	CERAMIC CHIP	0.1uF 50V	IC3701	8-752-109-74	IC CXA2199Q	
C3812	1-165-319-11	CERAMIC CHIP	0.1uF 50V	IC3702	8-759-445-59	IC BA033T	
C3813	1-165-319-11	CERAMIC CHIP	0.1uF 50V	IC3721	8-759-565-20	IC TDA4662T-V2	
		< CONNECTOR >		IC3731	8-759-822-05	IC LA7213	
CN3801	1-794-003-11	CONNECTOR 15P		IC3741	8-759-429-17	IC NJM2268V (TE2)	
CN3802	1-568-826-11	CONNECTOR, FFC 7P (US, CND)		IC3751	8-759-671-94	IC MC74HC4053AFEL	
CN3803	1-691-766-11	PLUG (MICRO CONNECTOR) 4P		IC3811	8-759-238-47	IC TC74HCT7007AF(EL)	
CN3804	1-784-778-11	CONNECTOR, FFC 17P		IC3812	8-759-233-44	IC TC74HC595AF	
CN3806	1-794-002-11	CONNECTOR 13P		IC3813	8-759-233-44	IC TC74HC595AF	
		< TRIMMER >				< CONNECTOR/JACK >	
CT3501	1-141-442-91	CAP, CERAMIC TRIMMER		J3201	1-815-737-11	CONNECTOR, (D) SUB 9P (RS-232C)	
CT3502	1-141-442-91	CAP, CERAMIC TRIMMER (EXCEPT AEP)		J3202	1-563-330-11	JACK (C TRL A1 II)	
CT3503	1-141-442-91	CAP, CERAMIC TRIMMER (AEP)		J3301	1-817-601-11	JACK, PIN 3P	
CT3504	1-141-442-91	CAP, CERAMIC TRIMMER (AEP)				(COMPONENT VIDEO MONITOR OUT)	
		< DIODE >		J3302	1-817-601-11	JACK, PIN 3P (COMPONENT VIDEO, TV IN)	
D3301	8-719-988-61	DIODE 1SS355TE-17		J3303	1-817-601-11	JACK, PIN 4P (COMPONENT VIDEO, DVD IN)	
D3302	8-719-988-61	DIODE 1SS355TE-17		J3401	1-770-337-11	JACK, PIN 3P (MONITOR OUT VIDEO, TV/SAT VIDEOIN, DVD VIDEO IN)	
D3303	8-719-988-61	DIODE 1SS355TE-17		J3402	1-770-337-11	JACK, PIN 3P (VIDEO2 VIDEO OUT, VIDEO2 VIDEO IN, VIDEO1 VIDEO OUT)	
D3311	8-719-988-61	DIODE 1SS355TE-17		J3403	1-518-043-11	JACK, PIN 2P (VIDEO1 VIDEO IN, 2ND ZONE VIDEO OUT) (US, CND)	
D3312	8-719-988-61	DIODE 1SS355TE-17		J3403	1-774-227-11	JACK, PIN 1P (VIDEO1 VIDEO IN) (EXCEPT US, CND)	
D3421	8-719-988-61	DIODE 1SS355TE-17 (US, CND)				< COIL >	
D3422	8-719-988-61	DIODE 1SS355TE-17 (US, CND)		L3421	1-410-482-31	MICRO INDUCTOR 100uH	
D3731	8-719-988-61	DIODE 1SS355TE-17				(US, CND)	
D3732	8-719-988-61	DIODE 1SS355TE-17		L3422	1-410-482-31	MICRO INDUCTOR 100uH	
		< FERRITE BEAD >				(US, CND)	
FB3201	1-469-152-11	FERRITE, EMI (SMD) (2012)		L3431	1-410-482-31	MICRO INDUCTOR 100uH	
FB3501	1-469-152-11	FERRITE, EMI (SMD) (2012) (AEP)		L3432	1-410-482-31	MICRO INDUCTOR 100uH	
FB3502	1-414-813-11	FERRITE, EMI (SMD) (2012) (AEP)		L3501	1-408-781-00	CHIP INDUCTOR 22uH	
FB3601	1-469-152-11	FERRITE, EMI (SMD) (2012)					
FB3602	1-469-152-11	FERRITE, EMI (SMD) (2012)					

VIDEO

Ref. No.	Part No.	Description	Remark	Ref. No.	Part No.	Description	Remark
L3601	1-410-946-31	CHIP INDUCTOR 22uH		R3422	1-216-022-00	RES-CHIP 75 5%	1/10W (US, CND)
		< TRANSISTOR >		R3423	1-216-097-11	RES-CHIP 100K 5%	1/10W (US, CND)
Q3301	8-729-230-49	TRANSISTOR 2SC2712-YG		R3431	1-216-022-00	RES-CHIP 75 5%	1/10W
Q3302	8-729-230-49	TRANSISTOR 2SC2712-YG		R3432	1-216-022-00	RES-CHIP 75 5%	1/10W
Q3303	8-729-230-49	TRANSISTOR 2SC2712-YG		R3451	1-216-121-11	RES-CHIP 1M 5%	1/10W
Q3311	1-801-806-11	TRANSISTOR DTC144EKA		R3452	1-216-121-11	RES-CHIP 1M 5%	1/10W
Q3621	8-729-216-22	TRANSISTOR 2SA1162-G		R3501	1-216-065-00	RES-CHIP 4.7K 5%	1/10W
Q3622	8-729-230-49	TRANSISTOR 2SC2712-YG		R3502	1-216-035-00	RES-CHIP 270 5%	1/10W (EXCEPT AEP)
Q3631	8-729-216-22	TRANSISTOR 2SA1162-G		R3503	1-216-025-11	RES-CHIP 100 5%	1/10W (AEP)
Q3632	8-729-230-49	TRANSISTOR 2SC2712-YG		R3504	1-216-025-11	RES-CHIP 100 5%	1/10W (AEP)
Q3641	8-729-216-22	TRANSISTOR 2SA1162-G		R3505	1-216-035-00	RES-CHIP 270 5%	1/10W (AEP)
Q3651	8-729-140-97	TRANSISTOR 2SB734-34		R3506	1-216-121-11	RES-CHIP 1M 5%	1/10W (AEP)
Q3652	8-729-027-43	TRANSISTOR DTC114EKA-T146		R3507	1-216-121-11	RES-CHIP 1M 5%	1/10W (AEP)
Q3701	8-729-216-22	TRANSISTOR 2SA1162-G		R3508	1-216-035-00	RES-CHIP 270 5%	1/10W (AEP)
Q3731	1-801-806-11	TRANSISTOR DTC144EKA		R3509	1-216-025-11	RES-CHIP 100 5%	1/10W (AEP)
		< RESISTOR >		R3521	1-216-022-00	RES-CHIP 75 5%	1/10W
R3201	1-216-025-11	RES-CHIP 100 5%	1/10W	R3522	1-216-022-00	RES-CHIP 75 5%	1/10W
R3202	1-216-025-11	RES-CHIP 100 5%	1/10W	R3523	1-216-022-00	RES-CHIP 75 5%	1/10W
R3301	1-216-022-00	RES-CHIP 75 5%	1/10W	R3524	1-216-022-00	RES-CHIP 75 5%	1/10W
R3302	1-216-022-00	RES-CHIP 75 5%	1/10W	R3525	1-216-022-00	RES-CHIP 75 5%	1/10W
R3303	1-216-022-00	RES-CHIP 75 5%	1/10W	R3526	1-216-022-00	RES-CHIP 75 5%	1/10W
R3304	1-216-057-00	RES-CHIP 2.2K 5%	1/10W	R3603	1-216-091-00	RES-CHIP 56K 5%	1/10W
R3305	1-216-073-00	RES-CHIP 1K 5%	1/10W	R3604	1-216-043-00	RES-CHIP 560 5%	1/10W
R3306	1-216-065-00	RES-CHIP 4.7K 5%	1/10W	R3605	1-216-061-00	RES-CHIP 3.3K 5%	1/10W
R3307	1-216-073-00	RES-CHIP 1K 5%	1/10W	R3606	1-216-057-00	RES-CHIP 2.2K 5%	1/10W
R3308	1-216-065-00	RES-CHIP 4.7K 5%	1/10W	R3607	1-216-059-00	RES-CHIP 2.7K 5%	1/10W
R3310	1-216-073-00	RES-CHIP 1K 5%	1/10W	R3621	1-216-029-00	RES-CHIP 150 5%	1/10W
R3311	1-216-037-00	RES-CHIP 330 5%	1/10W	R3622	1-216-025-11	RES-CHIP 100 5%	1/10W
R3312	1-216-101-00	RES-CHIP 150K 5%	1/10W	R3623	1-216-049-11	RES-CHIP 1K 5%	1/10W
R3313	1-216-065-00	RES-CHIP 4.7K 5%	1/10W	R3624	1-216-043-00	RES-CHIP 560 5%	1/10W
R3314	1-216-057-00	RES-CHIP 2.2K 5%	1/10W	R3625	1-216-067-00	RES-CHIP 5.6K 5%	1/10W
R3315	1-216-295-00	SHORT CHIP 0		R3626	1-216-085-00	RES-CHIP 33K 5%	1/10W
R3316	1-216-295-00	SHORT CHIP 0		R3627	1-216-081-00	RES-CHIP 22K 5%	1/10W
R3317	1-216-295-00	SHORT CHIP 0		R3628	1-216-049-11	RES-CHIP 1K 5%	1/10W
△R3318	1-249-393-11	CARBON 10 5%	1/4W F	R3629	1-216-073-00	RES-CHIP 1K 5%	1/10W
△R3319	1-249-393-11	CARBON 10 5%	1/4W F	R3631	1-216-029-00	RES-CHIP 150 5%	1/10W
R3323	1-216-073-00	RES-CHIP 1K 5%	1/10W	R3632	1-216-025-11	RES-CHIP 100 5%	1/10W
R3324	1-216-073-00	RES-CHIP 1K 5%	1/10W	R3633	1-216-049-11	RES-CHIP 1K 5%	1/10W
R3325	1-216-073-00	RES-CHIP 1K 5%	1/10W	R3634	1-216-043-00	RES-CHIP 560 5%	1/10W
R3401	1-216-295-00	SHORT CHIP 0		R3635	1-216-067-00	RES-CHIP 5.6K 5%	1/10W
R3402	1-216-295-00	SHORT CHIP 0		R3636	1-216-085-00	RES-CHIP 33K 5%	1/10W
R3403	1-216-295-00	SHORT CHIP 0		R3637	1-216-081-00	RES-CHIP 22K 5%	1/10W
R3404	1-216-049-11	RES-CHIP 1K 5%	1/10W	R3638	1-216-049-11	RES-CHIP 1K 5%	1/10W
R3405	1-216-022-00	RES-CHIP 75 5%	1/10W	R3639	1-216-073-00	RES-CHIP 1K 5%	1/10W
R3406	1-216-022-00	RES-CHIP 75 5%	1/10W	R3641	1-216-121-11	RES-CHIP 1M 5%	1/10W
R3407	1-216-022-00	RES-CHIP 75 5%	1/10W	R3642	1-216-121-11	RES-CHIP 1M 5%	1/10W
R3408	1-216-022-00	RES-CHIP 75 5%	1/10W	R3643	1-216-017-00	RES-CHIP 47 5%	1/10W
R3409	1-216-022-00	RES-CHIP 75 5%	1/10W	R3644	1-216-025-11	RES-CHIP 100 5%	1/10W
R3410	1-216-022-00	RES-CHIP 75 5%	1/10W	R3645	1-216-033-00	RES-CHIP 220 5%	1/10W
R3411	1-216-022-00	RES-CHIP 75 5%	1/10W				
R3412	1-216-022-00	RES-CHIP 75 5%	1/10W (US, CND)				
R3421	1-216-022-00	RES-CHIP 75 5%	1/10W (US, CND)				

The components identified by mark △ or dotted line with mark △ are critical for safety. Replace only with part number specified.

Les composants identifiés par une marque △ sont critiques pour la sécurité. Ne les remplacer que par une pièce portant le numéro spécifié.

VIDEO

VIDEO3

VOL

Ref. No.	Part No.	Description	Remark
R3646	1-216-085-00	RES-CHIP 33K 5%	1/10W
R3647	1-216-081-00	RES-CHIP 22K 5%	1/10W
R3648	1-216-053-00	RES-CHIP 1.5K 5%	1/10W
R3649	1-216-025-11	RES-CHIP 100 5%	1/10W
R3651	1-216-073-00	RES-CHIP 1K 5%	1/10W
R3652	1-216-057-00	RES-CHIP 2.2K 5%	1/10W
R3671	1-216-121-11	RES-CHIP 1M 5%	1/10W
R3701	1-216-053-00	RES-CHIP 1.5K 5%	1/10W
R3702	1-216-041-00	RES-CHIP 470 5%	1/10W
R3703	1-216-077-00	RES-CHIP 15K 5%	1/10W
R3704	1-216-089-11	RES-CHIP 47K 5%	1/10W
R3705	1-216-025-11	RES-CHIP 100 5%	1/10W
R3706	1-216-025-11	RES-CHIP 100 5%	1/10W
R3707	1-216-025-11	RES-CHIP 100 5%	1/10W
R3708	1-216-033-00	RES-CHIP 220 5%	1/10W
R3709	1-216-109-00	RES-CHIP 330K 5%	1/10W
R3710	1-216-037-00	RES-CHIP 330 5%	1/10W
R3711	1-216-071-00	RES-CHIP 8.2K 5%	1/10W
R3712	1-216-073-00	RES-CHIP 1K 5%	1/10W
R3713	1-216-057-00	RES-CHIP 2.2K 5%	1/10W
R3714	1-216-061-00	RES-CHIP 3.3K 5%	1/10W
R3715	1-216-061-00	RES-CHIP 3.3K 5%	1/10W
R3716	1-216-061-00	RES-CHIP 3.3K 5%	1/10W
R3731	1-216-037-00	RES-CHIP 330 5%	1/10W
R3732	1-216-101-00	RES-CHIP 150K 5%	1/10W
R3733	1-216-065-00	RES-CHIP 4.7K 5%	1/10W
R3734	1-216-081-00	RES-CHIP 22K 5%	1/10W
R3735	1-216-049-11	RES-CHIP 1K 5%	1/10W
R3741	1-216-121-11	RES-CHIP 1M 5%	1/10W
< RELAY >			
RY3301	1-755-359-11	RELAY	
RY3302	1-755-359-11	RELAY	
RY3303	1-755-359-11	RELAY	
RY3304	1-755-359-11	RELAY	
RY3305	1-755-359-11	RELAY	
RY3306	1-755-359-11	RELAY	
< CONNECTOR >			
TP3501	1-784-921-11	PIN, CONNECTOR 4P	
< VIBRATOR >			
X3501	1-781-821-21	VIBRATOR, CRYSTAL (14.31MHz) (EXCEPT AEP)	
X3502	1-781-821-21	VIBRATOR, CRYSTAL (14.31MHz) (AEP)	
X3503	1-781-820-21	VIBRATOR, CRYSTAL (17.437MHz) (AEP)	
X3701	1-781-342-21	OSCILLATOR, CRYSTAL (3.5795MHz)	
X3702	1-781-134-21	VIBRATOR, CRYSTAL (4.43MHz)	
X3703	1-577-611-11	OSCILALTOR, CERAMIC (500kHz)	

A-4733-994-A	VIDEO3 BOARD, COMPLETE *****		
< CAPACITOR/SHORT >			
C1028	1-165-319-11	CERAMIC CHIP 0.1uF	50V
C1029	1-163-009-11	CERAMIC CHIP 0.001uF 10%	50V
C1030	1-163-009-11	CERAMIC CHIP 0.001uF 10%	50V

Ref. No.	Part No.	Description	Remark
C1032	1-163-009-11	CERAMIC CHIP 0.001uF 10%	50V
C1035	1-216-295-00	SHORT CHIP 0	
C1036	1-216-295-00	SHORT CHIP 0	
C1037	1-216-295-00	SHORT CHIP 0	
< CONNECTOR >			
* CN1019	1-564-728-11	PIN, CONNECTOR (SMALL TYPE) 12P	
< GROUND TERMINAL >			
* EB1002	1-537-738-21	TERMINAL, EARTH	
< IC >			
IC1006	6-600-219-01	IC GP1FM313RZ0F (VIDEO3 INPUT, VIDEO3 OPTICAL)	
< JACK/TERMINAL >			
J1002	1-770-571-11	JACK BLOCK, PIN (L TYPE) 3P (VIDEO3 INPUT, VIDEO3 VIDEO/AUDIO)	
J1003	1-784-808-11	TERMINAL, S (VIDEO3 INPUT, S2 VIDEO)	
< RESISTOR >			
R1047	1-216-025-11	RES-CHIP 100 5%	1/10W
R1048	1-216-025-11	RES-CHIP 100 5%	1/10W
R1049	1-216-025-11	RES-CHIP 100 5%	1/10W
R1050	1-216-022-00	RES-CHIP 75 5%	1/10W
R1051	1-216-022-00	RES-CHIP 75 5%	1/10W
R1052	1-216-022-00	RES-CHIP 75 5%	1/10W
R1059	1-216-097-11	RES-CHIP 100K 5%	1/10W
R1060	1-216-097-11	RES-CHIP 100K 5%	1/10W

1-688-727-11	VOL BOARD *****		
< CONNECTOR >			
* CN1004	1-564-719-11	PIN, CONNECTOR (SMALL TYPE) 3P	
< ROTARY ENCODER >			
RV1007	1-477-382-11	ENCODER, ROTARY (MASTER VOLUME)	

MISCELLANEOUS *****			
60	1-500-249-21	BEAD, FERRITE (CASE) (AEP, TW, KR)	
70	1-827-364-11	WIRE (FLAT TYPE) (23 CORE)	
72	1-773-045-11	WIRE (FLAT TYPE) (17 CORE)	
154	1-469-969-11	CLAMP, FERRITE (US, CND)	
155	1-773-036-11	WIRE (FLAT TYPE) (17 CORE)	
156	1-769-878-11	WIRE (FLAT TYPE) (7 CORE) (US, CND)	
157	1-769-943-11	WIRE (FLAT TYPE) (11 CORE) (US, CND, TW, KR)	
157	1-773-007-11	WIRE (FLAT TYPE) (15 CORE) (AEP)	
160	1-400-061-11	CORE, FERRITE (CLAMP FILTER) (US, CND)	
204	1-500-472-11	CORE, FERRITE	
* 206	1-500-169-11	CORE (FPC)	
207	1-773-390-11	WIRE (FLAT TYPE) (35 CORE)	
208	1-400-583-11	CORE, FERRITE	

STR-DA3000ES

Ref. No.	Part No.	Description	Remark
252	1-469-969-11	CLAMP, FERRITE	
254	1-500-037-11	CORE, FERRITE (WITH CASE)	
257	1-469-854-11	CORE, FERRITE	
258	1-773-221-11	WIRE (FLAT TYPE) (25 CORE)	
303	1-500-753-11	CLAMP, FERRITE (EXCEPT US, CND)	
304	1-469-969-11	CLAMP, FERRITE (US, CND)	
305	1-400-061-11	CORE, FERRITE (CLAMP FILTER) (US, CND)	
IC904	8-759-231-53	IC TA7805S	
IC905	8-759-394-36	IC BA09T	
IC906	8-759-245-79	IC TA79005S	
IC909	8-759-445-59	IC BA033T	
IC910	8-759-231-53	IC TA7805S	
Q904	6-550-625-01	TRANSISTOR 2SK1381	
Q909	6-702-390-01	IC MN2488-OPY-MK	
TU2051	1-693-577-21	TUNER (US, CND)	
TU2051	1-693-578-21	TUNER (AEP)	
TU2051	1-693-580-23	TUNER (TW, KR)	

ACCESSORIES			

	1-400-550-11	FILTER, CLAMP	
	1-477-843-11	COMMANDER, STANDARD (RM-LG112)	
	1-478-000-11	COMMANDER, STANDARD (RM-US106)	(US, CND)
	1-501-374-12	ANTENNA, LOOP (AM)	
	1-501-594-14	ANTENNA (FM) (AEP, TW)	
△	1-551-631-22	CORD, POWER (AEP)	
△	1-790-396-12	CORD, POWER (TW)	
	1-793-184-23	CONNECTOR (F TYPE ADAPTOR)	(US, CND, TW, KR)
△	1-823-512-12	CORD, POWER (US, CND)	
△	1-824-326-11	POWER-SUPPLY CORD (KR)	
	3-071-119-01	COVER, BATTERY (for RM-LG112)	
	4-228-696-01	COVER, BATTERY (for RM-US106) (US, CND)	
	4-247-188-12	MANUAL, INSTRUCTION (ENGLISH)	(EXCEPT KR)
	4-247-188-22	MANUAL, INSTRUCTION (FRENCH)	(CND, AEP)
	4-247-188-32	MANUAL, INSTRUCTION (SPANISH) (AEP)	
	4-247-188-42	MANUAL, INSTRUCTION	(GERMAN, DUTCH, ITALIAN) (AEP)
	4-247-188-52	MANUAL, INSTRUCTION (SWEDISH, POLISH)	(AEP)
	4-247-188-61	MANUAL, INSTRUCTION	(TRADITIONAL CHINESE, SIMPLIFIED CHINESE) (TW)
	4-247-188-71	MANUAL, INSTRUCTION (KOREAN) (KR)	
	4-247-232-11	MANUAL, INSTRUCTION (PORTUGUESE)(AEP)	
	4-247-232-21	MANUAL, INSTRUCTION (DANISH, FINNISH)	(AEP)
	4-247-232-31	MANUAL, INSTRUCTION (RUSSIAN) (AEP)	
	4-247-232-41	MANUAL, INSTRUCTION (GREEK) (AEP)	
	4-247-232-51	MANUAL, INSTRUCTION (HUNGARIAN, CZECK) (AEP)	
	4-247-232-61	MANUAL, INSTRUCTION (SLOVAKIAN) (AEP)	
	4-247-234-11	MANUAL, INSTRUCTION, INSTALL	(ENGLISH, FRENCH) (US, CND)
	4-247-234-21	MANUAL, INSTRUCTION, INSTALL	(ENGLISH, FRENCH, SPANISH) (AEP, TW)

Ref. No.	Part No.	Description	Remark
	4-247-234-31	MANUAL, INSTRUCTION, INSTALL	(GERMAN, DUTCH, ITALIAN) (AEP)
	4-247-234-41	MANUAL, INSTRUCTION, INSTALL	(SWEDISH, POLISH) (AEP)
	4-247-234-51	MANUAL, INSTRUCTION, INSTALL	(TRADITIONAL CHINESE, KOREAN) (TW, KR)
	4-247-234-61	MANUAL, INSTRUCTION, INSTALL	(PORTUGUESE, DANISH, FINNISH, RUSSIAN) (AEP)
	4-247-234-71	MANUAL, INSTRUCTION, INSTALL	(GREEK, HUNGARIAN, CZECK, SLOVAKIAN) (AEP)
	4-247-243-61	MANUAL, INSTRUCTION	(PORTUGUESE, DANISH, FINNISH, RUSSIAN) (AEP)
	4-247-243-71	MANUAL, INSTRUCTION	(GREEK, HUNGARIAN, CZECK, SLOVAKIAN) (AEP)
	4-247-238-11	MANUAL, INSTRUCTION (RM-US106)	(ENGLISH, FRENCH) (US, CND)
	4-249-323-11	MANUAL, INSTRUCTION (RM-LG112)	(ENGLISH) (EXCEPT KR)
	4-249-323-21	MANUAL, INSTRUCTION (RM-LG112)	(FRENCH) (CND, AEP)
	4-249-323-31	MANUAL, INSTRUCTION (RM-LG112)	(SPANISH, GERMAN, DUTCH, ITALIAN, SWEDISH, POLISH) (AEP)
	4-249-323-41	MANUAL, INSTRUCTION (RM-LG112)	(TRADITIONAL CHINESE) (TW)
	4-249-323-51	MANUAL, INSTRUCTION (RM-LG112)	(KOREAN) (KR)
	4-251-318-01	COVER, PROTECTION	
*	4-950-766-01	LABEL, FCC DIGITAL DEVICE (US)	

The components identified by mark △ or dotted line with mark △ are critical for safety. Replace only with part number specified.

Les composants identifiés par une marque △ sont critiques pour la sécurité. Ne les remplacer que par une pièce portant le numéro spécifié.

STR-DA3000ES

SONY®

SERVICE MANUAL

Ver 1.1 2004.09

*US Model
Canadian Model
AEP Model
E Model*

SUPPLEMENT-1

Subject: Addition of "SPECIAL MENU MODE"

SPECIAL MENU MODE

Procedure:

1. Press the **[I/⏻]** button to turn on the main power, then while pressing the **[MEMORY/ENTER]** button, press the **[MOVIE]** button in order.
2. The message “MENU EXPANDED !” appears.
3. Each time the **[MENU]** dial is turned clockwise, the item is switched in order as follows.
4. To release from this mode, while pressing the **[MEMORY/ENTER]** button, press the **[MOVIE]** button in order again.
5. The message “MENU EXPAND OFF” appears.

Items	Display	Remark
Protector on/off	SPECIAL PROTECTOR ON/OFF [XXX]	XXX: ON or OFF (switching with [-/+] dial)
Model version display	SPECIAL #### ***** vX.XX @@@@	####: model *****: destination X.XX: main microprocessor software version @@@@: Sum value of flash memory in the main microprocessor
Model/distination change	SPECIAL MODEL [#### *****] XX	####: model, *****: destination, XX: at or fx (switching with [-/+] dial)
FL display fonts test	SPECIAL FL FONT 0x** = [X]	** : 20 to 1F, X: character (switching with [-/+] dial)
FL display test	ALL ON	Each time [DISPLAY] button to change as follows. all on → test pattern 1 → test pattern 2 → all off → all on
Audio swap	SPECIAL SWAP [XXXXXXXXXXXX]	Switching with [-/+] dial
DSP reset	SPECIAL DSP RESET [XXX]	XXX: ON or OFF (switching with [-/+] dial) Note: Since it continues being reset when “DSP RESET [ON]” is chosen, be sure to return to “DSP RESET [OFF]”
DSP 1 IRAM	DSP 1 IRAM I [*****]= XXXX	The umbers which can be changed will blinks To select the digit: Press the [TUNING +] or [TUNING -] button To select the number when the umbers (***** or XXXX) blinks: Rotate the [-/+] dial To perform the write when the umbers (XXXX) blinks: Press the [MEMORY/ENTER] button *****: instruction RAM address XXXX: instruction RAM address data Note: When parenthesis is the position of instruction RAM address data, up/down of the menu item by the [MENU] dial are invalid
DSP 1 ARAM	DSP 1 ARAM D [*****]= XXXXXXXX	The umbers which can be changed will blinks To select the digit: Press the [TUNING +] or [TUNING -] button To select the number when the umbers (***** or XXXXXXXX) blinks: Rotate the [-/+] dial To perform the write when the umbers (XXXXXXXX) blinks: Press the [MEMORY/ENTER] button *****: coefficient RAM address XXXXXXXX: coefficient RAM address data Note: When parenthesis is the position of coefficient RAM address data, up/down of the menu item by the [MENU] dial are invalid
DSP 2 IRAM	DSP 2 IRAM I [*****]= XXXX	The umbers which can be changed will blinks To select the digit: Press the [TUNING +] or [TUNING -] button To select the number when the umbers (***** or XXXX) blinks: Rotate the [-/+] dial To perform the write when the umbers (XXXX) blinks: Press the [MEMORY/ENTER] button *****: instruction RAM address XXXX: instruction RAM address data Note: When parenthesis is the position of instruction RAM address data, up/down of the menu item by the [MENU] dial are invalid

Items	Display	Remark
DSP 2 ARAM	DSP 2 ARAM D [****]= XXXXXXXX	The umbers which can be changed will blinks To select the digit: Press the [TUNING +] or [TUNING -] button To select the number when the umbers (**** or XXXXXXXX) blinks: Rotate the [-/+] dial To perform the write when the umbers (XXXXXXX) blinks: Press the [MEMORY/ENTER] button ****: coefficient RAM address XXXXXXX: coefficient RAM address data Note: When parenthesis is the position of coefficient RAM address data, up/down of the menu item by the [MENU] dial are invalid
Bass management	SPECIAL BASSMAN. [****] XX	****: AUTO or OFF, XX: 02 to 30 (switching with [-/+] dial)
DSP boot error	SPECIAL	Not used for the servicing DSP BOOT ERROR:XXX
DSP write 1 error	SPECIAL	Not used for the servicing DSP WRT1 ERROR:XXX
DSP write 2 error	SPECIAL	Not used for the servicing DSP WRT2 ERROR:XXX
DSP write 3 error	SPECIAL	Not used for the servicing DSP WRT3 ERROR:XXX
DSP read 1 error	SPECIAL	Not used for the servicing DSP RAD1 ERROR:XXX
DSP read 2 error	SPECIAL	Not used for the servicing DSP RAD2 ERROR:XXX
DSP read 3 error	SPECIAL	Not used for the servicing DSP RAD3 ERROR:XXX
DSP HALT	SPECIAL DSP HALT [XXX]	XXX: ON or OFF (switching with [-/+] dial)
DSP Version display	SPECIAL SurV *:vXXX	Not used for the servicing
Volume value display	SPECIAL (FL/FR)	Not used for the servicing FL **** FR XXXX
Volume value display	SPECIAL (SL/SR)	Not used for the servicing SL **** SR XXXX
Volume value display	SPECIAL (CT/SW)	Not used for the servicing CT **** SW XXXX
Volume value display	SPECIAL (SBL/SBR)	Not used for the servicing SBL **** SBR XXXX
EEPROM debug	SPECIAL EEPROM [****] XX	****: EEPROM address XX: EEPROM data (switching with [-/+] dial)
Super reset	SPECIAL SUPER RESET [XXX]	Not used for the servicing If super reset is performed, "up convert signal level adjustment" will also be initialized When EEPROM initialization is required, perform the "all clear mode" (see page 14 of original service manual)
2nd volume value display	SPECIAL 2nd VOLUME -XX	XX: 2nd zone volume value (00 to ∞) (switching with [-/+] dial)
3rd volume value display	SPECIAL 3rd VOLUME -XX	XX: 3rd zone volume value (00 to ∞) (switching with [-/+] dial)
FL display duty change	SPECIAL DARK OUT DUTY [XXX%]	XXX: Duty value of FL display (0% to 100%) (switching with [-/+] dial)
SDRAM check	SPECIAL SDRAM CHECK [XXXXX]	Check the operation of LIP SYNC XXXXX: PASS (OK) or ERROR (NG)
Error count display	SPECIAL SCOM ERROR COUNT XXX	Not used for the servicing
Version display	SPECIAL Sub Micom Ver. X.XX	Not used for the servicing

