

STR-D865/D965


SERVICE MANUAL

US Model
Canadian Model
STR-D865/D965

AEP Model
Australian Model
Malaysia Model
Singapore Model
STR-D965



Photo : STR-D965

Manufactured under license from Dolby Laboratories Licensing Corporation.
"DOLBY" and the double-D symbol  are trademarks of Dolby Laboratories Licensing Corporation.

SPECIFICATIONS

Audio power specifications

POWER OUTPUT AND TOTAL HARMONIC DISTORTION

With 8-ohm load, both channels driven, from 20 - 20,000 Hz, STR-D965 rated 110 watts, STR-D865 rated 100 watts per channel, minimum RMS power, with no more than 0.3 % total harmonic distortion from 250 milliwatts to rated output. (US model only)

Amplifier section

POWER OUTPUT

Stereo mode US, Canadian model :
8 ohms 20 Hz - 20 kHz,
STR-D965:
110 W + 110 W
STR-D865:
100 W + 100 W
AEP, German, Australian model :
90 W + 90 W/4 ohms
(DIN 1 kHz, 0.3 % stereo mode)

Surround mode US, Canadian model :
8 ohms at 1 kHz,
THD 0.8 %

	STR-D965	STR-D865
Front	100 W/ch	100 W/ch
Center (only in the DOLBY SUR and THEATER modes)	100 W	100 W
Rear	50 W/ch	25 W/ch

AEP, German, Australian model :
Front : 70 W/ch
Center : 70 W
Rear : 25 W/ch

Dynamic power output STR-D965:
160 W + 160 W
(8 ohms)
225 W + 225 W
(4 ohms)
STR-D865:
155 W + 155 W
(8 ohms)
220 W + 220 W
(4 ohms)

Harmonic distortion at rated output Less than 0.3 %

Frequency response PHONO: RIAA equalization curve
 ± 0.5 dB
CD, TAPE, DAT/MD,
VIDEO 1, 2, 3*:
10 Hz - 50 kHz, -0 dB

Inputs

	Sensitivity	Impedance	S/N (weighting network, input level)
PHONO (MM)	2.5 mV	50 kilohms	75 dB** (A, 2.5 mV)
CD	300 mV		
TAPE, DAT/MD, TV, LD, VIDEO 1, 2, 3*	250 mV	50 kilohms	82 dB** (A, 250 mV)

* STR-D965 only
** '78 IHF

— Continued on page 2 —

* Malaysia and Singapore model is the same as the AEP model.

FM STEREO/FM-AM RECEIVER
SONY®



使用時は添付資料も参照のこと
Refer to the additional documents.

<p>Outputs</p> <p>REC OUT VIDEO 1, 2 (AUDIO) OUT: Voltage 250 mV, Impedance 10 kilohms MIX OUT Voltage: 2 V Impedance: 1 kilohms HEADPHONES: Accepts low and high impedance headphones</p> <p>Muting</p> <p>– 20 dB</p> <p>BASS BOOST</p> <p>+10 dB at 70 Hz</p> <p>TONE</p> <p>±8 dB at 100 Hz and 10 kHz</p> <p>FM tuner section</p> <p>Tuning range</p> <p>87.5 - 108.0 MHz</p> <p>Antenna terminals</p> <p>75 ohms, unbalanced</p> <p>Sensitivity</p> <p>Mono: 18.3 dBf, 4.5 μV Stereo: 38.3 dBf, 45 μV</p> <p>Usable sensitivity</p> <p>11.2 dBf, 2 μV (IHF)</p> <p>S/N</p> <p>Mono: 76 dB Stereo: 70 dB</p> <p>Harmonic distortion at 1 kHz</p> <p>Mono: 0.3 % Stereo: 0.5 %</p> <p>Separation</p> <p>45 dB at 1 kHz</p> <p>Frequency response</p> <p>30 Hz - 15 kHz ^{+6.5} dB</p> <p>Selectivity</p> <p>60 dB at 400 kHz</p>	<p>AM tuner section</p> <p>Tuning range</p> <p>US, Canadian model : With 10 kHz interval*: 530 - 1710 kHz With 9 kHz interval: 531 - 1710 kHz AEP, German, Australian model : 531 - 1710 kHz</p> <p>Antenna</p> <p>Loop antenna</p> <p>Usable sensitivity</p> <p>50 dB/m (at 1,000 kHz or 999 kHz)</p> <p>S/N</p> <p>54 dB (at 50 mV/m)</p> <p>Harmonic distortion</p> <p>0.5 % (50 mV/m, 400 kHz)</p> <p>Selectivity</p> <p>US, Canadian model : At 9 kHz: 35 dB At 10 kHz: 40 dB</p> <p>You can change the AM tuning interval to 9 kHz. After tuning in any AM station, turn off the receiver. Hold down the PRESET TUNING + button and press the POWER button. All preset stations will be erased when you change the interval. To reset the interval to 10 kHz, repeat the procedure.</p> <p>Video section</p> <p>Inputs</p> <p>VIDEO 1, 2, 3*, TV, LD: 1 Vp-p 75 ohms (*STR-D965 only)</p> <p>Outputs</p> <p>VIDEO 1, 2, MONITOR: 1 Vp-p 75 ohms</p>	<p>General</p> <p>System</p> <p>Tuner section: PLL quartz-locked digital synthesizer system Pre-amplifier section: Low-noise NF type equalizer Power amplifier section: Pure-complimentary SEPP</p> <p>Power requirements</p> <p>US, Canadian model : 120 V AC, 60Hz AEP, German, Australian model : 220-230 V AC, 50/60 Hz</p> <p>Power consumption</p> <p>STR-D965: US model : 230 W Canadian model : 325 VA AEP, German model : 220 W Australian model : 230 W STR-D865: US model : 220 W Canadian model : 320 VA</p> <p>AC outlets</p> <p>US, Canadian model : 2 switched, total 120W AEP, German, Australian model : switched, 100W</p> <p>Dimensions</p> <p>17 x 5 7/8 x 14 inches (430 x 148 x 355 mm)</p> <p>Mass (Approx.)</p> <p>STR-D965: 10.0 kg (22 lb 1 oz) STR-D865: 9.7 kg (22 lb 7 oz)</p> <p>Supplied accessories</p> <p>FM wire antenna (1) AM loop antenna (1) Remote commander (remote) (1) Size AA (R6) batteries (2)</p>
--	---	---

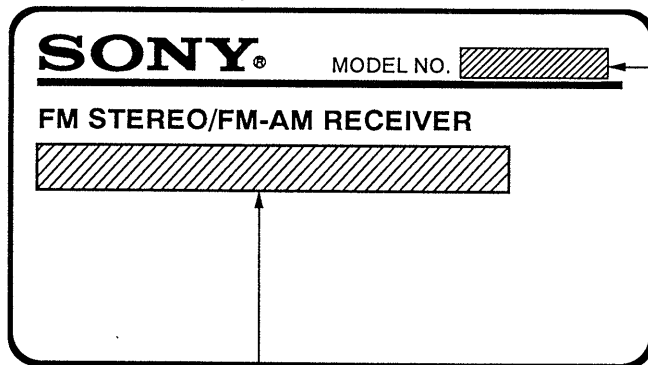
Design and specifications are subject to change without notice.

* Malaysia and Singapore model is the same as the AEP model.

TABLE OF CONTENTS

<i>Section</i>	<i>Title</i>	<i>Page</i>
	specifications	1
1. GENERAL		
	Location and Function of controls	4
2. EXPLANATION OF IC TERMINALS		7
3. DIAGRAMS		
	3-1. Block Diagram	9
	3-2. Circuit Boards Location	13
	3-3. Printed Wiring Boards (Surround Section)	14
	3-4. Schematic Diagram (Surround Section)	17
	3-5. Schematic Diagram (AMP Section)	21
	3-6. Printed Wiring Boards (AMP Section)	25
	3-7. Schematic Diagram (Display Section)	30
	3-8. Printed Wiring Boards (Display Section)	33
4. EXPLODED VIEWS		
	4-1. Front panel Section	36
	4-2. Chassis Section	37
5. ELECTRICAL PARTS LIST		39

MODEL IDENTIFICATION
(Specification Label)



STR-D865
STR-D965

US, Canadian model : AC 120V 60Hz
 Australian model : AC 240V~50/60Hz
 AEP, German model : AC 220-230V~50/60Hz
 * Malaysia and Singapore model is the same as the AEP model.

SAFETY-RELATED COMPONENT WARNING!!

COMPONENTS IDENTIFIED BY MARK \triangle OR DOTTED LINE WITH MARK \triangle ON THE SCHEMATIC DIAGRAMS AND IN THE PARTS LIST ARE CRITICAL TO SAFE OPERATION. REPLACE THESE COMPONENTS WITH SONY PARTS WHOSE PART NUMBERS APPEAR AS SHOWN IN THIS MANUAL OR IN SUPPLEMENTS PUBLISHED BY SONY.

ATTENTION AU COMPOSANT AYANT RAPPORT À LA SÉCURITÉ!

LES COMPOSANTS IDENTIFIÉS PAR UNE MARQUE \triangle SUR LES DIAGRAMMES SCHÉMATIQUES ET LA LISTE DES PIÈCES SONT CRITIQUES POUR LA SÉCURITÉ DE FONCTIONNEMENT. NE REMPLACER CES COMPOSANTS QUE PAR DES PIÈCES SONY DONT LES NUMÉROS SONT DONNÉS DANS CE MANUEL OU DANS LES SUPPLÉMENTS PUBLIÉS PAR SONY.

SAFETY CHECK-OUT

After correcting the original service problem, perform the following safety check before releasing the set to the customer:

Check the antenna terminals, metal trim, "metallized" knobs, screws, and all other exposed metal parts for AC leakage. Check leakage as described below.

LEAKAGE TEST

The AC leakage from any exposed metal part to earth ground and from all exposed metal parts to any exposed metal part having a return to chassis, must not exceed 0.5 mA (500 microamperes). Leakage current can be measured by any one of three methods.

1. A commercial leakage tester, such as the Simpson 229 or RCA WT-540A. Follow the manufacturers' instructions to use these instruments.
2. A battery-operated AC milliammeter. The Data Precision 245 digital multimeter is suitable for this job.

3. Measuring the voltage drop across a resistor by means of an AC voltmeter or battery-operated AC voltmeter. The "limit" indication is 0.75 V, so analog meters must have an accurate low-voltage scale. The Simpson 250 and Sanwa SH-63Trd are examples of a passive VOM that is suitable. Nearly all battery operated digital multimeters that have a 2V AC range are suitable. (See Fig. A)

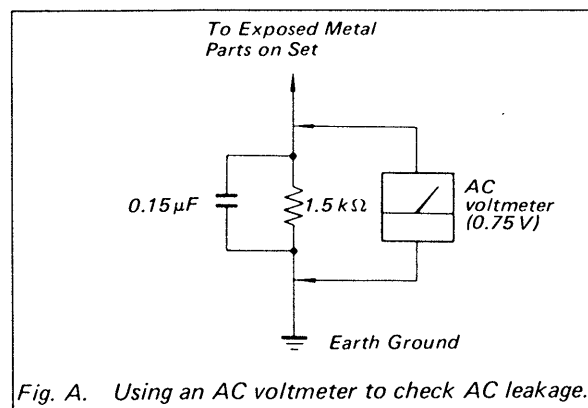


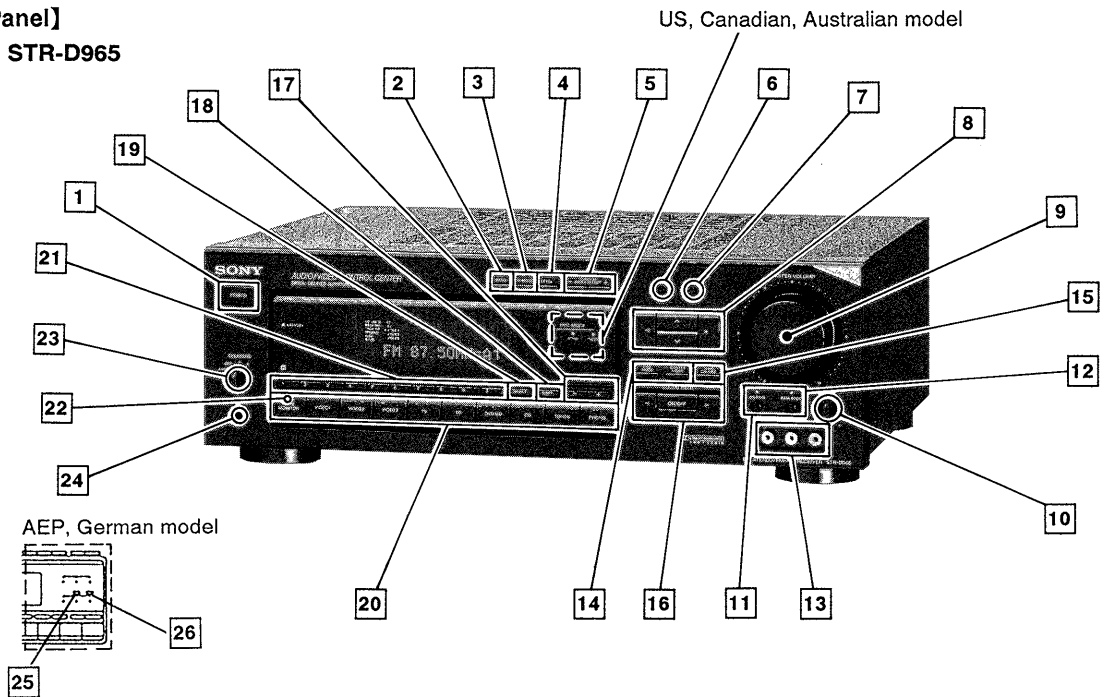
Fig. A. Using an AC voltmeter to check AC leakage.

SECTION 1 GENARL

LOCATION AND FUNCTION OF CONTROLS

[Front Panel]

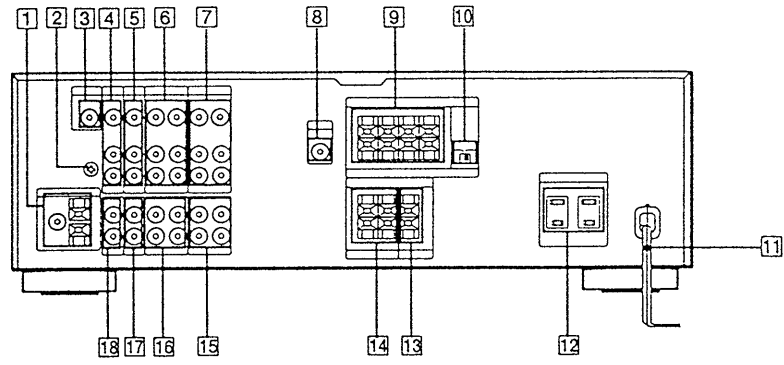
Photo : STR-D965



- | | |
|---|---|
| <p>1 POWER ON/STANDBY switch</p> <p>2 BAND switch</p> <p>3 FM MODE switch</p> <p>4 LEVEL switch</p> <p>5 TUNING/INDEX SELECT switches
– switch
+ switch</p> <p>6 .DISPLAY switch</p> <p>7 MEMORY switch</p> <p>8 Digital processing control buttons
< button
^ button
v button
> button</p> <p>9 MASTER VOLUME control</p> <p>10 BALANCE control</p> <p>11 MUTING, BASS BOOST switches</p> <p>12 MUTING, BASS BOOST indicator</p> <p>13 VIDEO 3 INPUT jack</p> <p>14 MODE switches
DPC MODE switches
CENTER MODE switches</p> <p>15 TONE ON/OFF switch</p> | <p>16 SOUND FIELD buttons
< button
ON/OFF button
> button</p> <p>17 PRESET TUNING buttons
+ button
– button</p> <p>18 SHIFT button</p> <p>19 DIRECT button</p> <p>20 Preset numbers buttons
0 – 9 button</p> <p>21 FUNCTION selectors and TAPE MONITOR buttons
TAPE MONITOR 2 button
VIDEO 1 button
VIDEO 2 button
VIDEO 3 button
TV button
LD button
DAT/MD button
CD button
TUNER button
PHONO button</p> <p>22 TAPE MONITOR 2 indicator</p> <p>23 SPEAKERS selector</p> <p>24 PHONES jack</p> <p>25 PTY button (AEP, German model)</p> <p>26 EON button (AEP, German model)</p> |
|---|---|

* Malaysia and Singapore model is the same as the AEP model.

[Rear Panel]



- 1 ANTENNA (AM/FM)
- 2 ϕ ground terminal
- 3 MONITOR
- 4 LD
- 5 TV
- 6 VIDEO 2
- 7 VIDEO 1

- 8 MIX OUT
- 9 FRONT SPEAKERS (A/B)
- 10 IMPEDANCE SELECTOR
- 11 AC power cord
- 12 SWITCHED AC OUTLET
- 13 SURROUND SPEAKERS (CENTER)

- 14 SURROUND SPEAKERS (REAR)
- 15 TAPE
- 16 DAT/MD
- 17 CD
- 18 PHONO

[Remote Buttons Descriptions]

Remote Button	Operates	Function
0-9	Receiver	Selects preset numbers.
	CD player/ MD recorder/ LD player	Selects track numbers. 0 selects track 10.
	TV/VCR	Selects channel numbers.
>10	CD player/ Tape deck/ LD player/ MD recorder	Selects track numbers over 10.
CH/PRESET +/-	Receiver	Scans and selects preset station
	TV/VCR	Selects preset channels
INDEX	Receiver	Selects station index names for index select tuning
D. SKIP	CD player	Skip discs (CD player with multi-disc changer only.)
◀▶	CD player	Searches tracks (forward or backward).
	Tape deck/ MD recorder/ VCR/ LD player	Fastforwards or rewinds.
⏏	CD player / MD recorder/ LD player	Skips tracks.
⏸	CD player/ Tape deck/ MD recorder/ LD player/ VCR	Pauses play or record. (Also starts recording with components in record standby.)
▶	CD player/ Tape deck/ MD recorder/ LD player/ VCR	Starts play.
■	CD player/ Tape deck/ MD recorder/ LD player/ VCR	Stops play.
◀	Tape deck	Starts play on the reverse side.
●	Tape deck	Sets tape decks to the record standby mode.
● + ▶	Tape deck/ MD recorder/ VCR	Starts recording when pressed with ▶ (or ◀ on tape deck).

Remote Button	Operates	Function
RMS DIRECTION	Tape deck	Selects tape direction (for tape decks with the RMS* function.)
RMS CLEAR	Tape deck	Clears RMS* program (for tape decks with the RMS function.)
RMS/START	Tape deck	Programs tracks (tape deck with the RMS* function only.)
ENTER	TV/VCR	Changes channels when used with 0-9.
TV/VIDEO	TV/VCR	Selects input signal : TV input or video input
VISUAL POWER	TV/VCR/ LD player	Turns on or off the power
TV CONTROL ON	TV	Turns on the TV, switches the input to "TV", and sets the remote to operate the TV.
-/--	TV	Selects the channel entry mode, either one or two digit (in Europe only).
SUB CH +/-	TV	Selects preset channels for the small picture.**
POSI	TV	Changes the position of the small picture.**
SWAP	TV	Swaps the small and the large picture.**
PINP	TV	Activates the picture-in-picture function.**
JUMP	TV	Jumps back and forth between the previous and current channels.
ANT TV/ VTR	VCR	Selects output signal from the antenna terminal : TV signal or VCR program.

SECTION 2 EXPLANATION OF IC TERMINALS

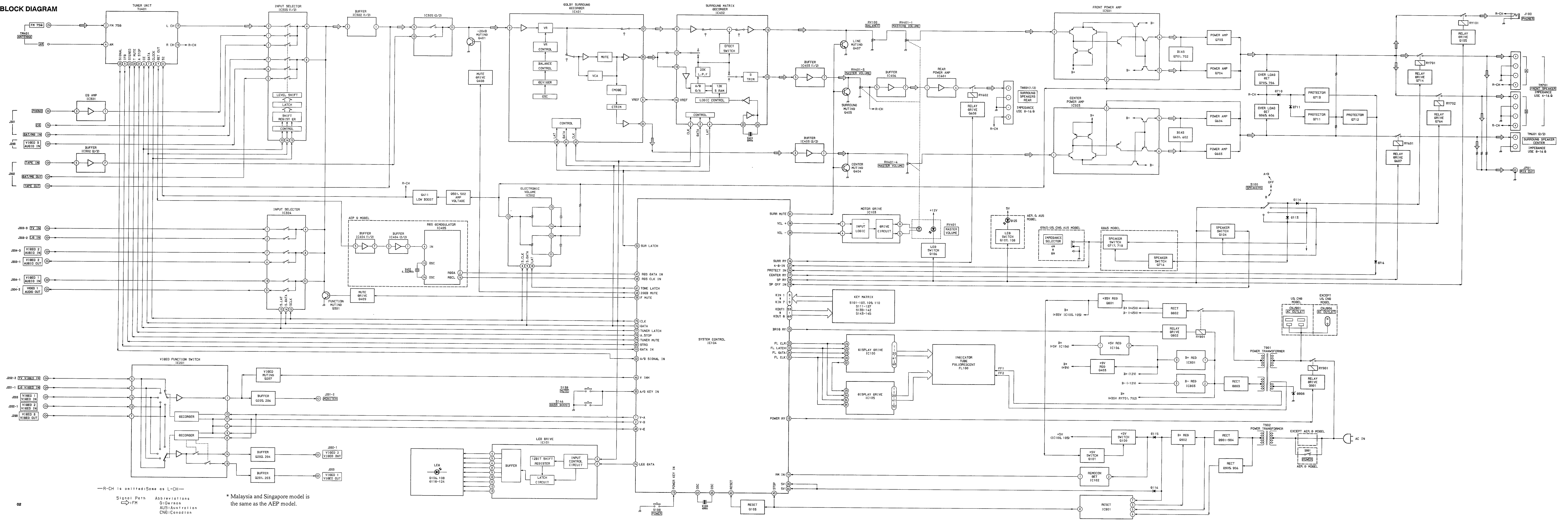
IC104 (MB90673PF-104)

Pin No.	Pin name	I/O	Description
1	V-A	O	VIDEO A control terminal.
2	V-B	O	VIDEO B control terminal.
3	KEY-IN	I	Key in 1.
4	KEY-IN	I	Key in 2.
5	KEY-IN	I	Key in 3.
6	KEY-IN	I	Key in 4.
7	KEY-IN	I	Key in 5.
8	KEY-IN	I	Key in 6.
9	KEY-IN	I	Key in 7.
10	DAT IN	I	PLL data input terminal.
11	GND	—	Power supply. (GND)
12	FL-LATCH	O	FL latch output.
13	POWER RY	O	Power relay drive.
14	RM IN	I	SIRCS signal input terminal.
15	BRID RY	O	Bridgable relay drive.
16	SURR RY	O	Surround relay drive.
17	CENTER RY	O	Center relay drive.
18	SP RY	O	Speaker relay drive.
19	SP-OFF. IN	I	Speaker OFF DET.
20	UART	—	Not used. (GND)
21	UART	—	Not used. (GND)
22	UART	—	Not used. (GND)
23	FL-CLR	O	FL clear.
24	FL-DATA	O	FL data output.
25	FL-CLK	O	FL clock output.
26	PROTECT IN	I	Protector DET input.
27	4-8-IN	I	4-8 in.
28	AVcc 5V	—	Power supply. (+5V)
29	AVREF 5V	—	Reference voltage. (+5V)
30	AVREF 0V	—	Reference voltage. (GND)
31	GND	—	Power supply. (+5V)
32	A/D SIG-IN	I	A/D signal input terminal.
33	NC	—	Not used. (GND)
34	Vss-GND	—	Power supply. (GND)
35	A/D KEY IN	I	A/D key input.
36	NC	—	Not used. (OPEN)
37	VOL LED	O	Volume LED drive. (Not used)
38	VOL +	O	Volume + control.
39	VOL -	O	Volume - control.
40	20dB MUT	O	- 20dB mute.

Pin No.	Pin name	I/O	Description
41	+5V	—	+5V.
42	+5V	—	+5V.
43	GND	—	Power supply. (GND)
44	+5V	—	+5V.
45	STOP	I	Stop in.
46	V-INHI	O	Video inhibit output.
47	RDS DATA IN	I	RDS data input.
48	RDS CLK IN	I	RDS clock input.
49	V-E	O	Video E control.
50	F-MUTE	O	Function mute control.
51	SUR-MUTE	O	Surround mute control.
52	SUR-LATCH	O	Surround latch output.
53	KEY-OUT	O	Key out 1.
54	KEY-OUT	O	Key out 2.
55	KEY-OUT	O	Key out 3.
56	KEY-OUT	O	Key out 4.
57	KEY-OUT	O	Key out 5.
58	KEY-OUT	O	Key out 6.
59	KEY-OUT	O	Key out 7.
60	KEY-OUT	O	Key out 8.
61	TONE LATCH	O	Tone latch output.
62	RESET	I	System reset terminal.
63	V _{ss} -GND	—	Power supply. (GND)
64	OSC	I	System clock OSC. (4.0MHz)
65	OSC	O	System clock OSC. (4.0MHz)
66	V _{cc} 5V	—	Power supply. (+5V)
67	ENCODER IN	I	Function encoder input terminal. (B : DOWN)
68	ENCODER IN	I	Function encoder input terminal. (A : UP)
69	ENCODER IN	I	UP/DOWN encoder input terminal. (B : DOWN)
70	ENCODER IN	I	UP/DOWN encoder input terminal. (A : UP)
71	ENCODER IN	I	L/R encoder input terminal. (A : UP)
72	ENCODER IN	I	L/R encoder input terminal. (B : DOWN)
73	POWER KEY IN	I	Power key input terminal.
74	LED-DATA	O	LED data output.
75	CLOCK	O	Serial clock output.
76	DATA	O	Serial data output.
77	TUNER LATCH	O	Tuner function latch output.
78	A. STOP	I	Auto stop DET.
79	TUNER-MUTE	O	Tuner mute control output.
80	STEREO	I	Stereo DET.

SECTION 3
DIAGRAMS

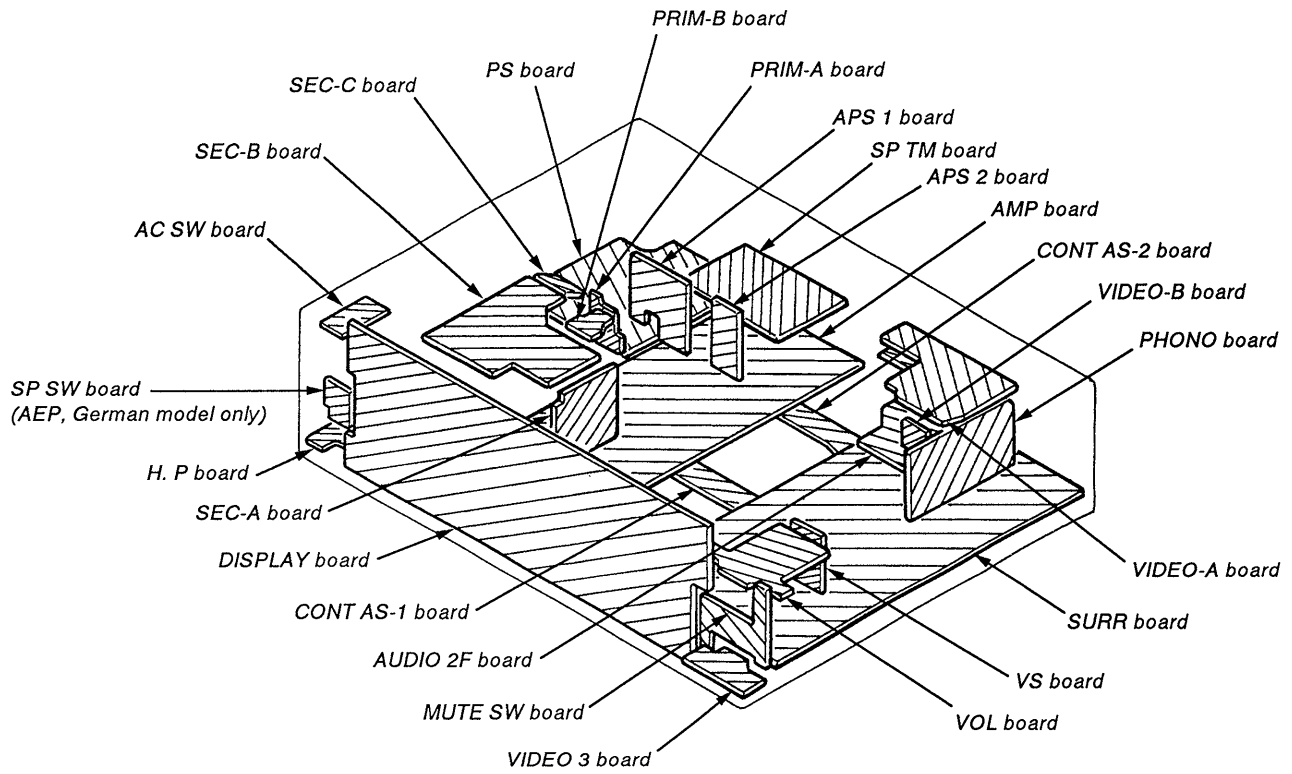
3-1. BLOCK DIAGRAM



-R-CH is omitted; Same as L-CH-
 Signal Path: FM
 Abbreviations: G: German, AUS: Australian, CNB: Canadian

* Malaysia and Singapore model is the same as the AEP model.

3-2. CIRCUIT BOARDS LOCATION



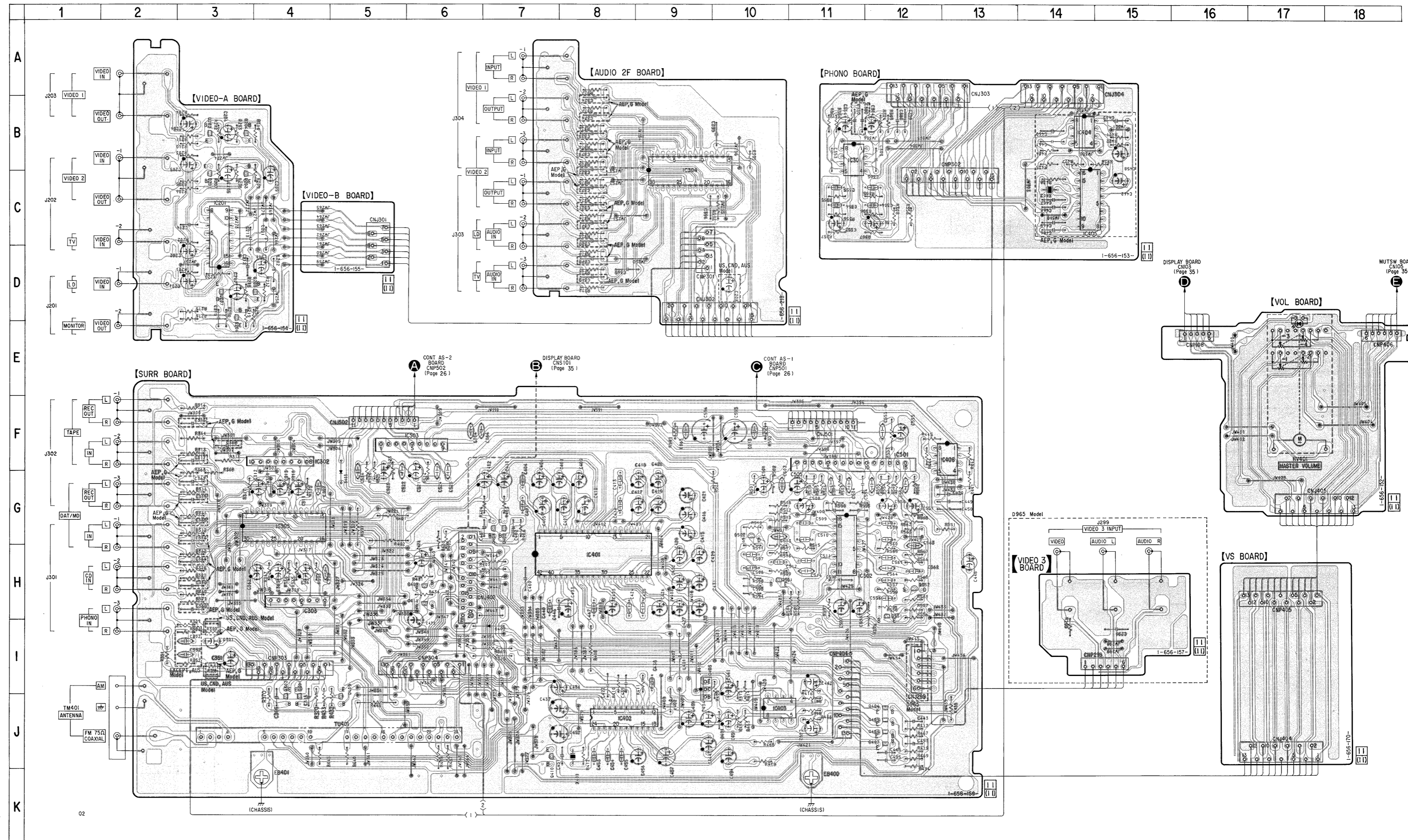
3-3. PRINTED WIRING BOARDS (SURROUND SECTION)

● SEMICONDUCTOR LOCATION

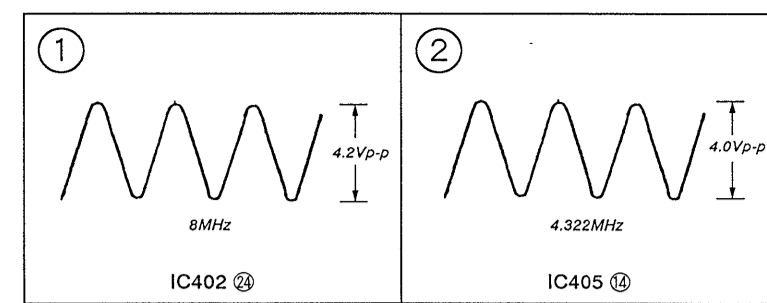
Ref. No.	Location
D401	J-10
D402	I-7
D403	G-5
IC201	C-3
IC301	B-11
IC302	F-4
IC303	H-4
IC304	C-9
IC305	G-4
IC401	H-8
IC402	J-8
IC403	J-10
IC404	B-14
IC405	C-14
IC406	F-13
IC501	F-11
IC502	G-11
IC503	F-6
Q201	C-3
Q202	B-3
Q203	C-3
Q204	B-3
Q205	D-4
Q206	D-3
Q207	D-3
Q301	J-4
Q302	J-4
Q401	G-7
Q402	G-7
Q403	I-9
Q404	J-12
Q405	J-12
Q406	J-12
Q407	J-12
Q408	H-6
Q409	J-5
Q410	J-7
Q411	H-6
Q501	H-9
Q502	G-9
Q551	H-12
Q552	H-12

Note:

- — : parts extracted from the component side.
- ⊙ : Pattern on the side which is seen.
- Abbreviation
 CND : Canadian
 G : German
 AUS : Australian
 * Malaysia and Singapore model is the same as the AEP model.



• WAVEFORMS



Note :

- All capacitors are in μ F unless otherwise noted. pF, μ F, 50WV or less are not indicated except for electrolytics and tantalums.
- All resistors are in Ω and $\frac{1}{4}W$ or less unless otherwise specified.
- Δ : internal component.
- \square : nonflammable resistor.

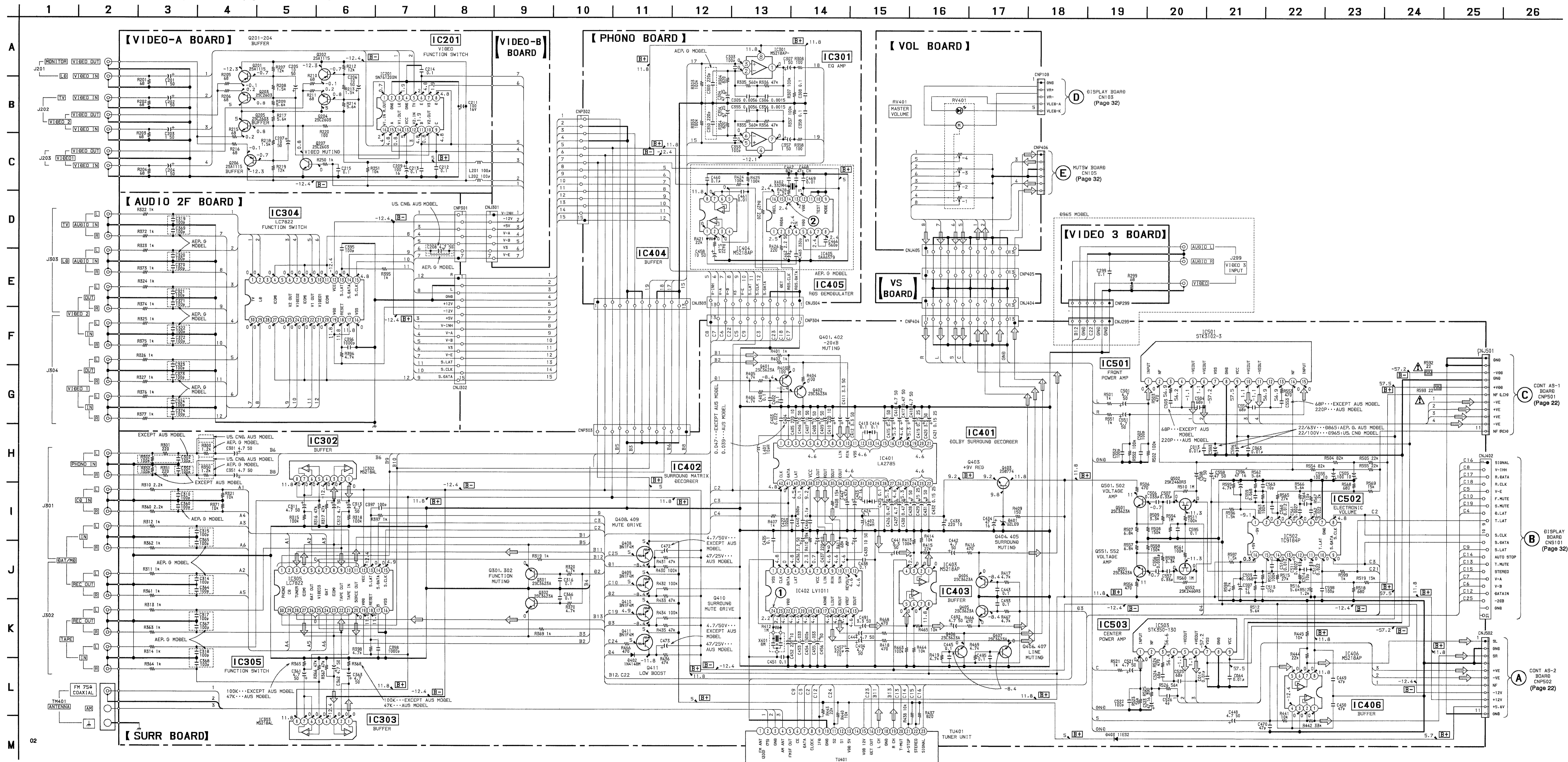
- **B+** : B+ Line
- **B-** : B- Line
- Voltage and waveforms are dc with respect to ground under no-signal (detuned) conditions.
- Voltages are taken with a VOM (Input impedance 10M Ω). Voltage variations may be noted due to normal production tolerances.
- Waveforms are taken with a oscilloscope. Voltage variations may be noted due to normal production tolerances.
- Circled numbers refer to waveforms.
- Signal path.

- Abbreviation
CND : Canadian
G : German
AUS : Australian
* Malaysia and Singapore model is the same as the AEP model.

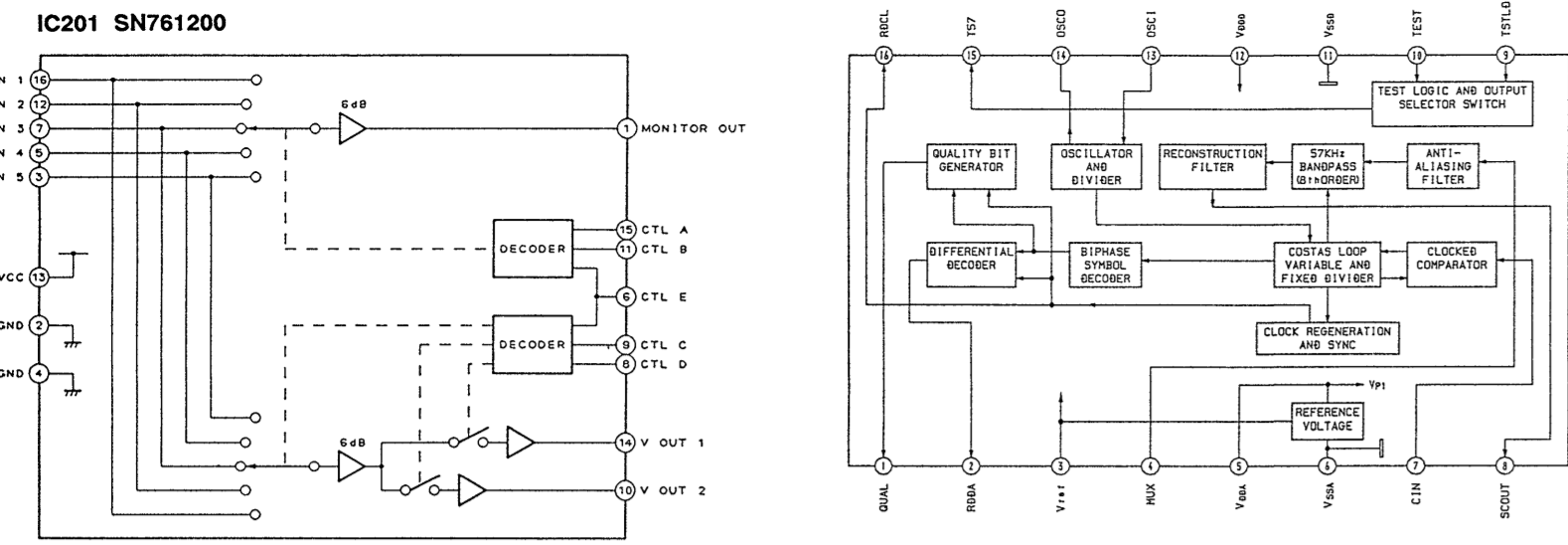
Note :
The components identified by mark Δ or dotted line with mark Δ are critical for safety. Replace only with part number specified.

Note :
Les composants identifiés par une marque Δ ou une ligne pointillée avec une marque Δ sont critiques pour la sécurité. Ne les remplacer que par une pièce portant le numéro spécifié.

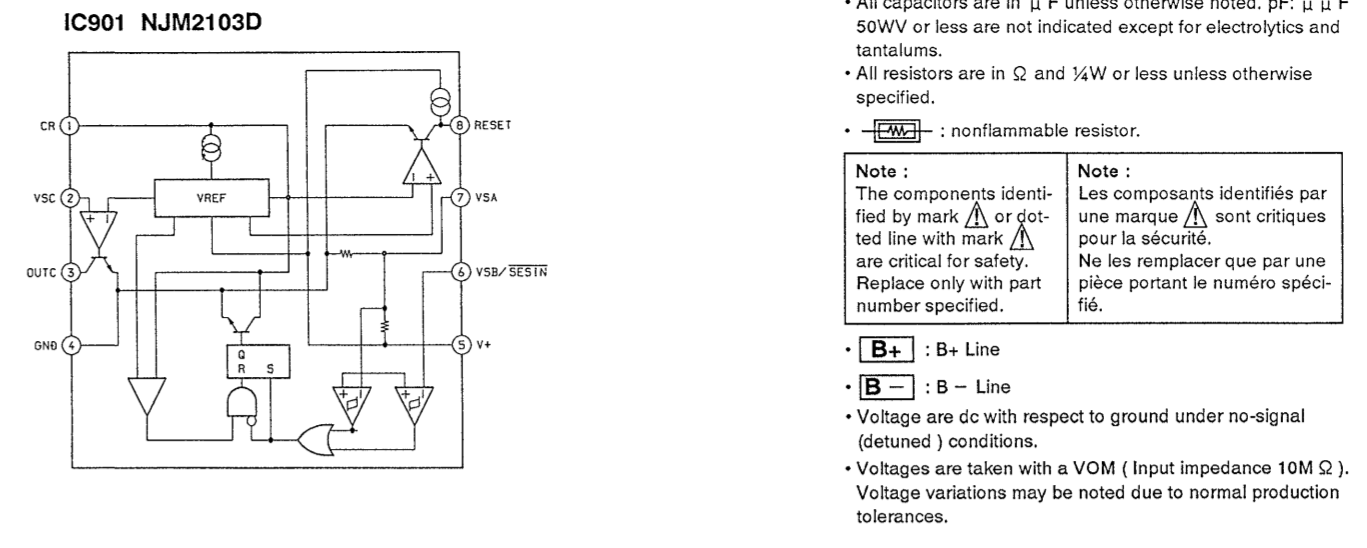
3-4. SCHEMATIC DIAGRAM (SURROUND SECTION) Refer to page 21 for IC Block Diagrams.



IC BLOCK DIAGRAM - SURROUND SECTION -



IC BLOCK DIAGRAM - AMP SECTION -



Note :

- All capacitors are in μ F unless otherwise noted. pF: μ μ F
- 50WV or less are not indicated except for electrolytics and tantalums.
- All resistors are in Ω and $\frac{1}{4}W$ or less unless otherwise specified.
- **RES** : nonflammable resistor.

Note :

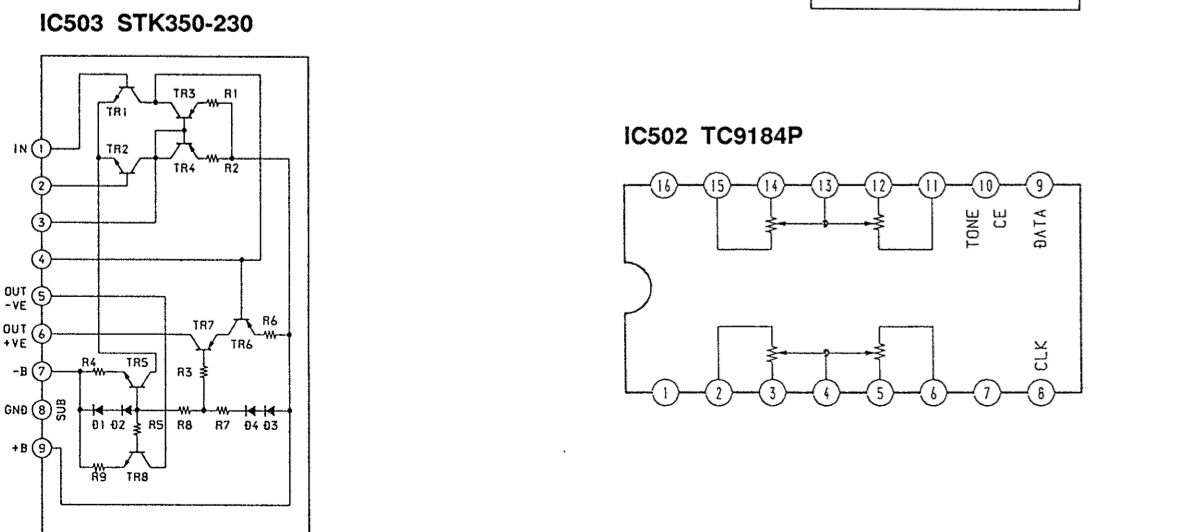
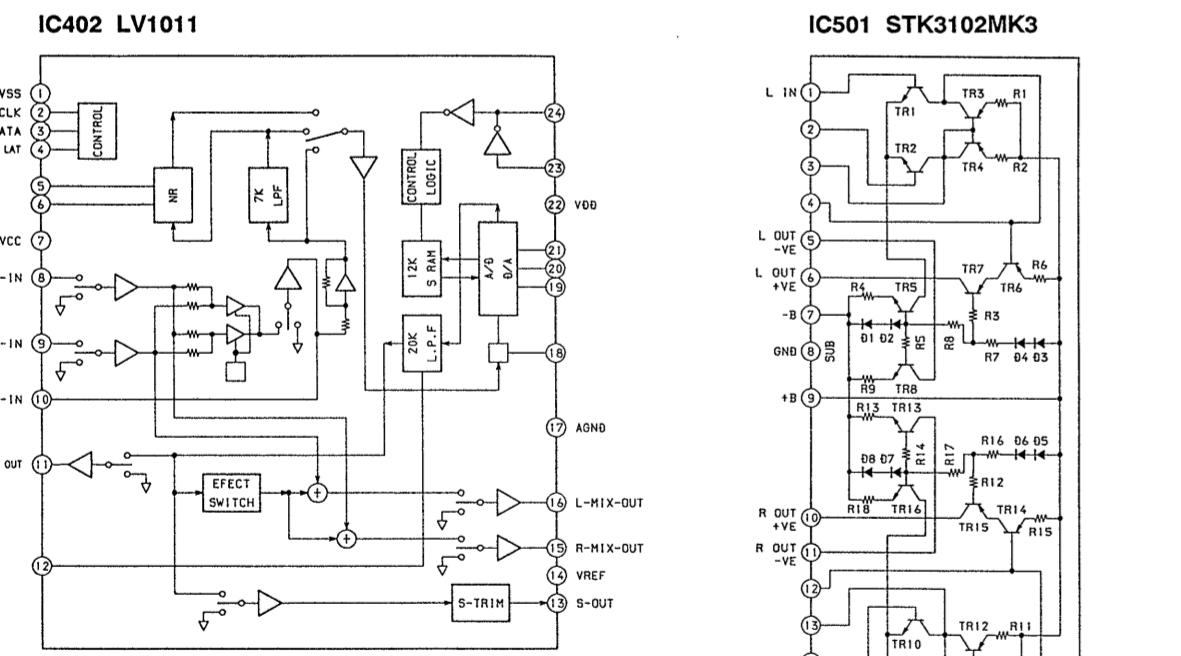
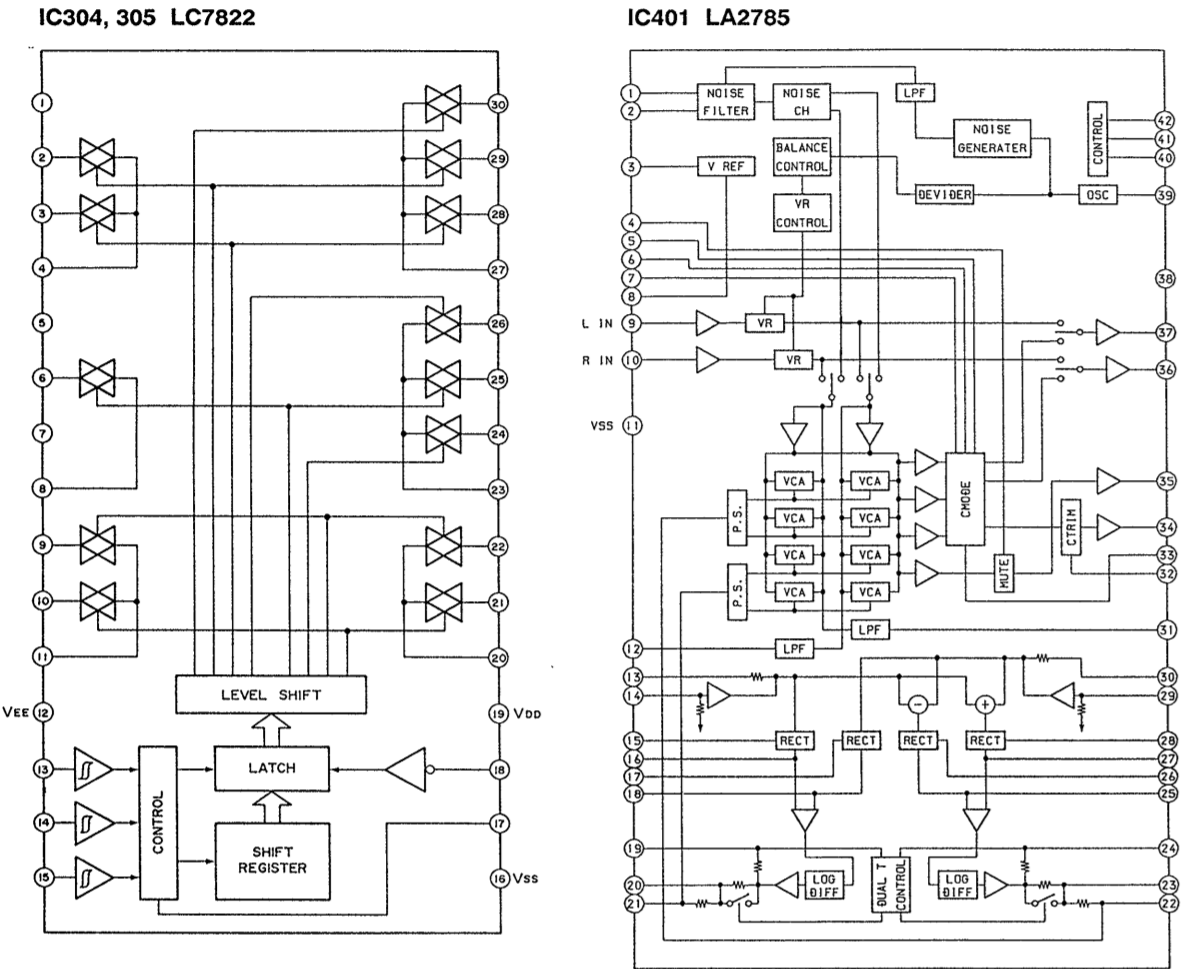
- The components identified by mark **A** or dotted line with mark **A** are critical for safety. Replace only with part number specified.
- Les composants identifiés par une marque **A** sont critiques pour la sécurité. Ne les remplacer que par une pièce portant le numéro spécifié.

Note :

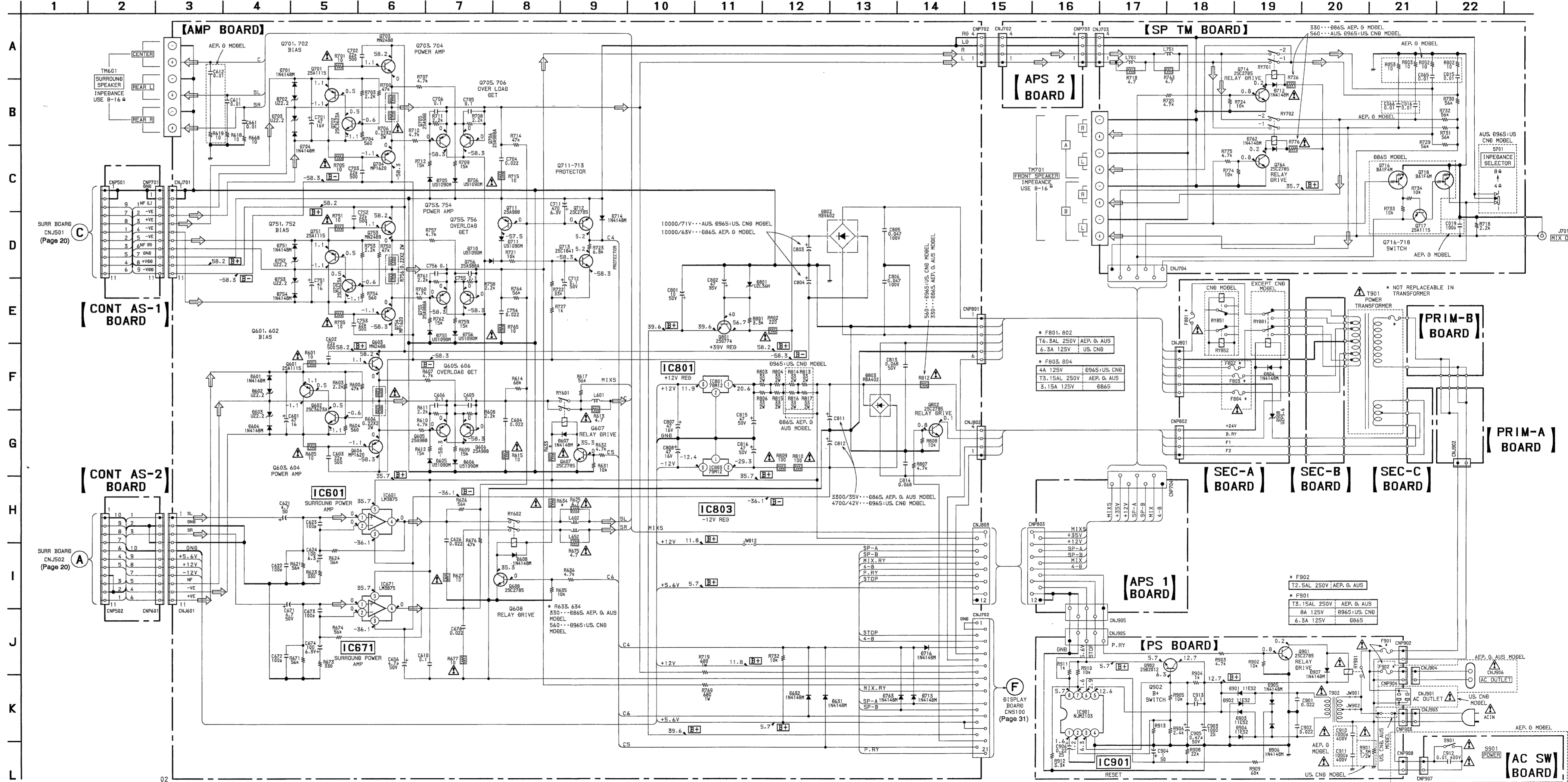
- **B+** : B+ Line
- **B-** : B - Line
- Voltage are dc with respect to ground under no-signal (detuned) conditions.
- Voltages are taken with a VOM (Input impedance 10M Ω). Voltage variations may be noted due to normal production tolerances.

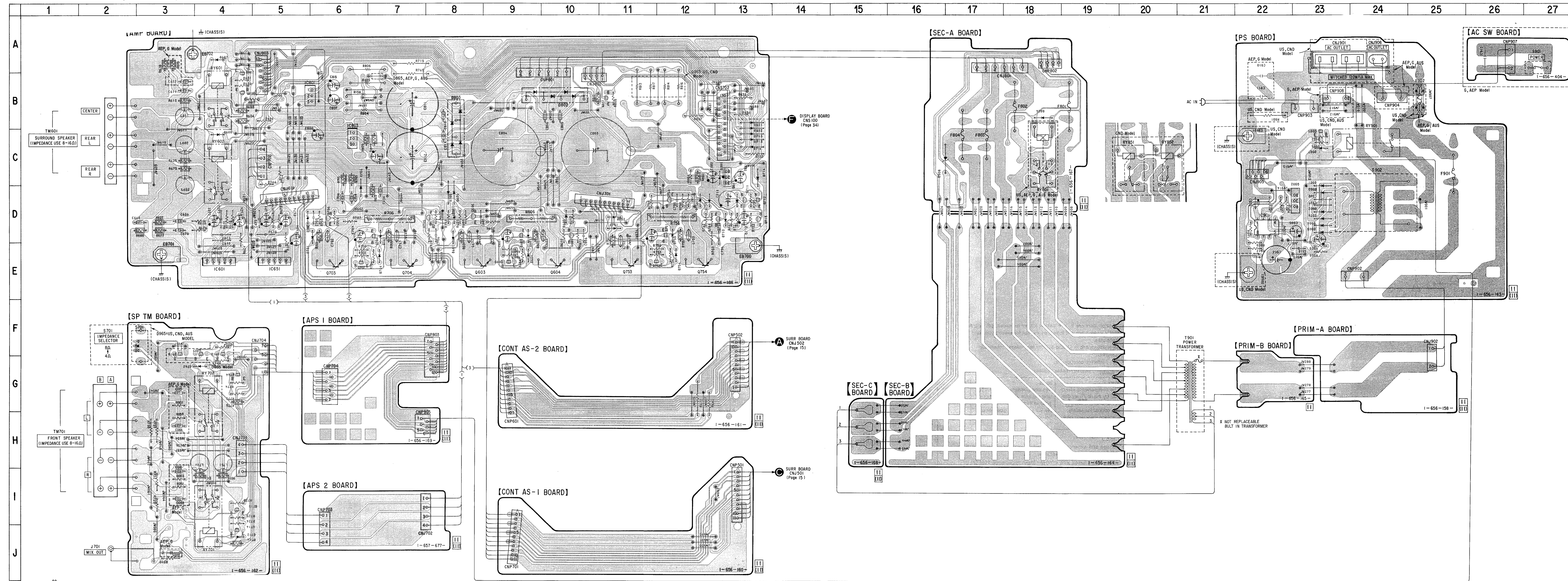
• Signal path.

- FM
- Abbreviation
- CND : Canadian
- G : German
- AUS : Australian
- * Malaysia and Singapore model is the same as the AEP model.



3-5. SCHEMATIC DIAGRAM (AMP SECTION)





• SEMICONDUCTOR LOCATION

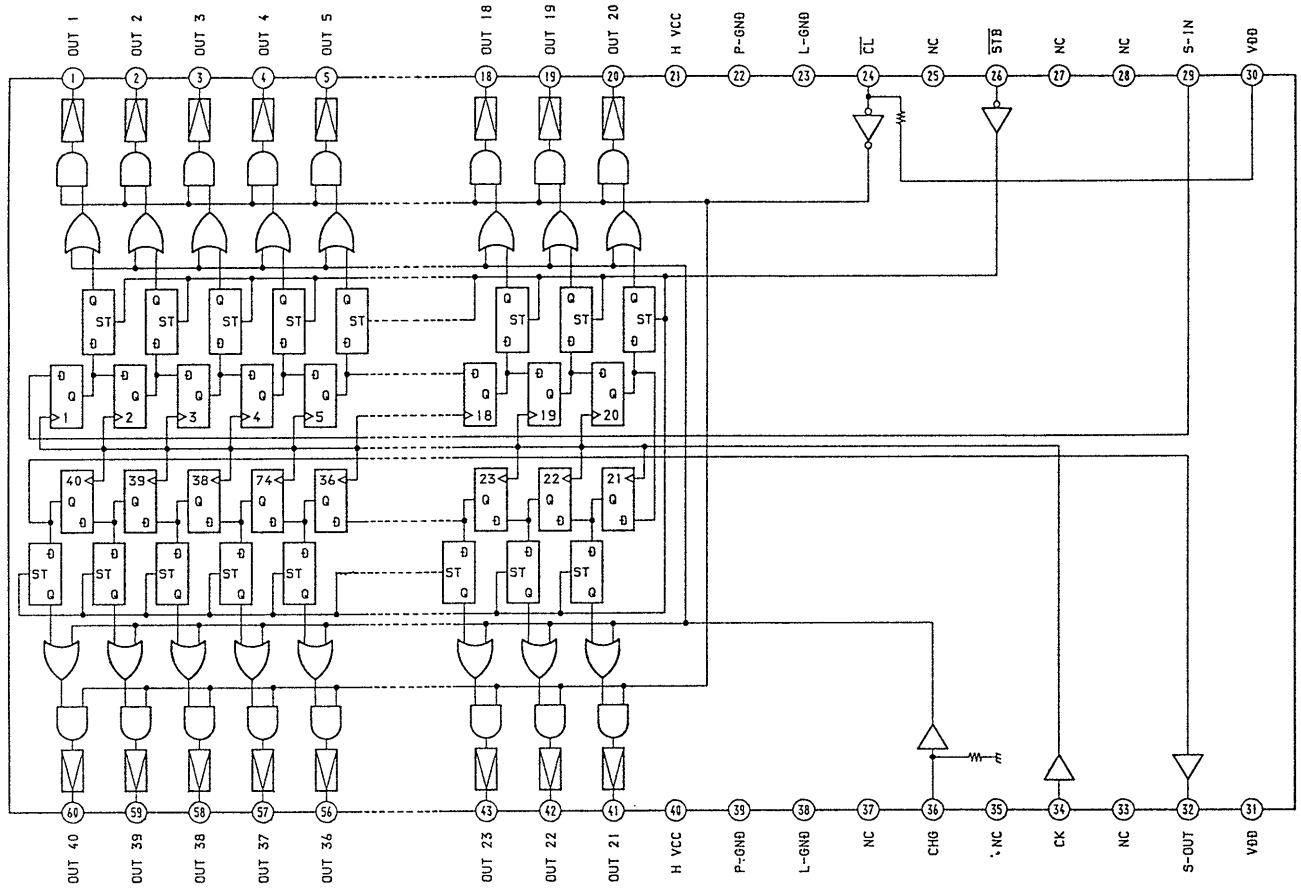
Ref. No.	Location	Ref. No.	Location
D601	D-8	IC801	E-4
D602	D-8	IC651	E-5
D603	D-9	IC801	B-5
D604	E-9	IC803	C-6
D605	D-10	IC901	D-22
D606	D-8		
D607	A-4	Q601	D-9
D608	C-4	Q602	E-9
D631	B-13	Q603	E-8
D632	B-13	Q604	E-10
		Q605	D-10
D701	D-6		
D702	D-5	Q606	D-8
D703	D-7	Q607	B-4
D704	E-7	Q608	B-4
D705	D-8	Q701	D-7
		Q702	E-6
D706	D-6		
D710	D-13	Q703	E-6
D711	D-13	Q704	E-7
D712	J-4	Q705	D-8
D713	C-13	Q706	D-6
		Q711	D-13
D714	C-13		
D715	I-13	Q712	D-13
D716	C-13	Q713	D-13
D751	D-11	Q714	J-4
D752	D-11	Q715	I-4
		Q716	F-4
D753	D-12		
D754	E-12	Q717	F-4
D755	D-12	Q718	F-3
D756	D-12	Q751	D-12
D762	G-4	Q752	E-11
		Q753	E-11
D763	C-13		
D801	C-13	Q754	E-12
D802	B-10	Q755	D-13
D803	B-8	Q756	D-12
D804	B-18	Q764	G-4
		Q801	C-13
D901	D-23		
D902	D-23	Q802	B-11
D903	D-23	Q901	C-23
D904	D-23	Q902	D-23
D905	D-23		
D906	D-23		
D907	C-23		
D908	C-16		

Note:

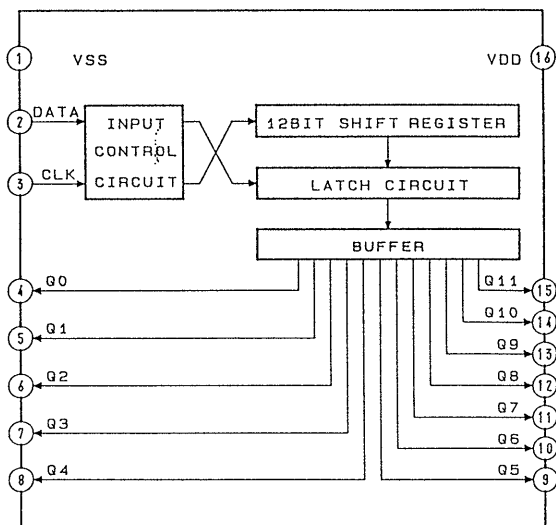
- : parts extracted from the component side.
- ▨ : Pattern on the side which is seen.
- Abbreviation
 CND : Canadian
 G : German
 AUS : Australian
 * Malaysia and Singapore model is the same as the AEP model.

• IC BLOCK DIAGRAM – DISPLAY SECTION –

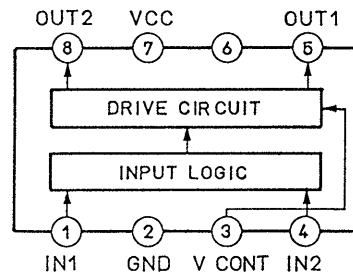
IC100, 105 TD62C950RF



IC101 M50253P

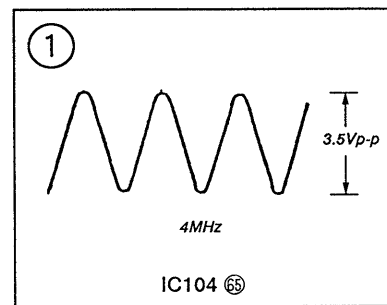


IC103 LB1639



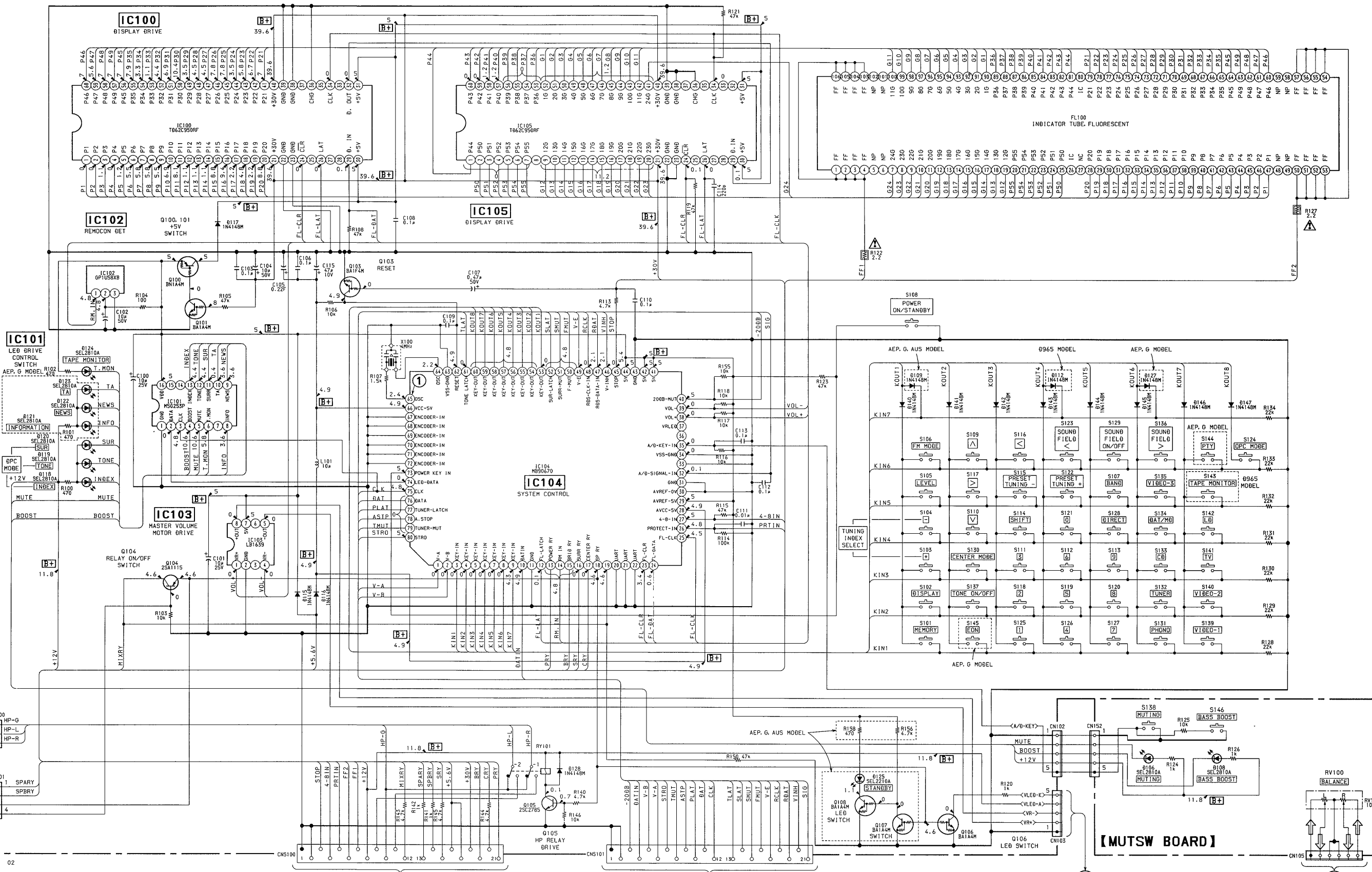
1 2 3 4 5 6 7 8 9 10 11 12 13 14 15 16 17 18 19 20 21

● WAVEFORM



A
B
C
D
E
F
G
H
I
J
K
L

[DISPLAY BOARD]

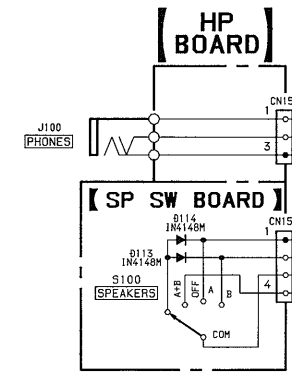


- Note :**
- All capacitors are in μ F unless otherwise noted. pF: μ μ F
 - All resistors are in Ω and $\frac{1}{4}$ W or less unless otherwise specified.
 - Δ : internal component.
 - \square : nonflammable resistor.

Note :
The components identified by mark Δ or dotted line with mark Δ are critical for safety. Replace only with part number specified.

Note :
Les composants identifiés par une marque Δ sont critiques pour la sécurité. Ne les remplacer que par une pièce portant le numéro spécifié.

- **B+** : B+ Line
- Voltage and waveforms are dc with respect to ground under no-signal (detuned) conditions.
- Voltages are taken with a VOM (Input impedance 10M Ω). Voltage variations may be noted due to normal production tolerances.
- Waveforms are taken with a oscilloscope. Voltage variations may be noted due to normal production tolerances.
- Circled numbers refer to waveforms.
- Abbreviation
CND : Canadian
G : German
AUS : Australian
* Malaysia and Singapore model is the same as the AEP model.



AMP BOARD
CNS702
(Page 23)

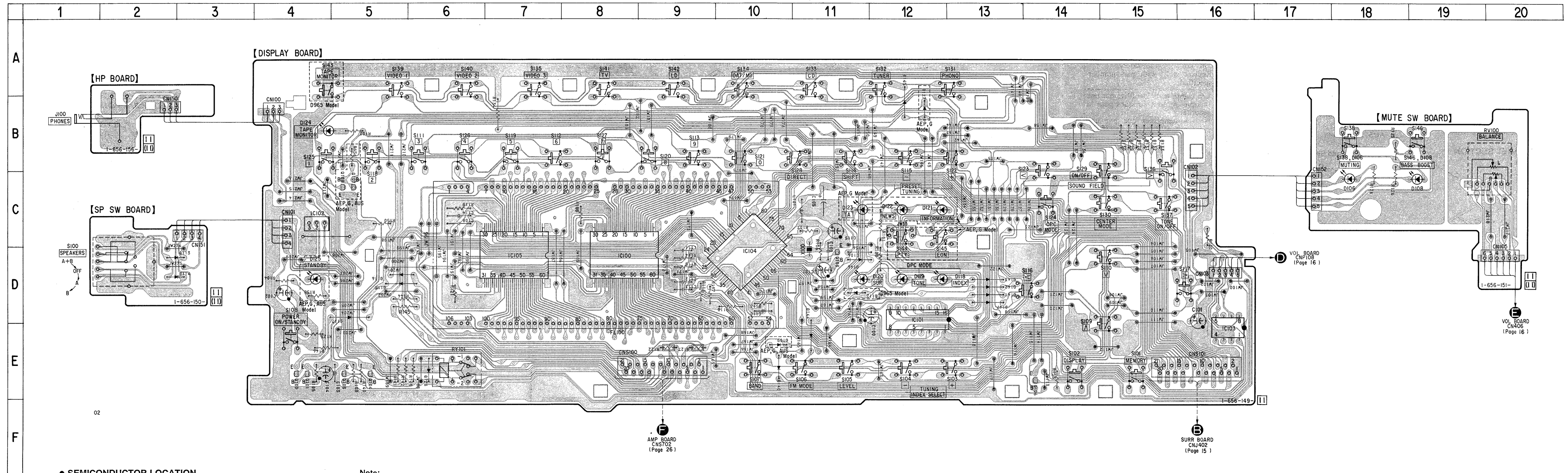
AMP BOARD
CNS702
(Page 23)

SURR BOARD
CNJ402
(Page 20)

VOL BOARD
CNP108
(Page 19)

VOL BOARD
CNP406
(Page 19)

3-8. PRINTED WIRING BOARDS (DISPLAY SECTION)



● SEMICONDUCTOR LOCATION

Ref. No.	Location	Ref. No.	Location	Ref. No.	Location
D106	C-18	D125	D-4	IC104	D-10
D108	C-19	D127	B-12	IC105	D-7
D109	E-10	D128	E-6		
D112	D-11	D140	E-10		
D113	D-2	D141	D-13	Q100	E-4
				Q101	E-4
D114	D-2	D142	D-13	Q103	D-11
D115	D-5	D143	D-13	Q104	E-5
D116	D-5	D144	E-11		
D117	D-5	D145	D-12	Q105	E-5
D118	D-12	D146	D-11	Q106	E-14
				Q107	C-5
D119	D-12	D147	D-13	Q108	C-5
D120	D-11				
D121	C-12				
D122	C-12	IC100	D-8		
D123	C-11	IC101	D-12		
		IC102	C-4		
D124	B-4	IC103	E-16		

Note:

- : parts extracted from the component side.
- ⊙ : Pattern on the side which is seen.
- Abbreviation
 CND : Canadian
 G : German
 AUS : Australian
 * Malaysia and Singapore model is the same as the AEP model.

SECTION 4 EXPLODED VIEWS

NOTE:

- -XX, -X mean standardized parts, so they may have some difference from the original one.
- The construction parts of an assembled part are indicated with a collation number in the remark column.
- Items marked “ * ” are not stocked since they are seldom required for routine service. Some delay should be anticipated when ordering these items.

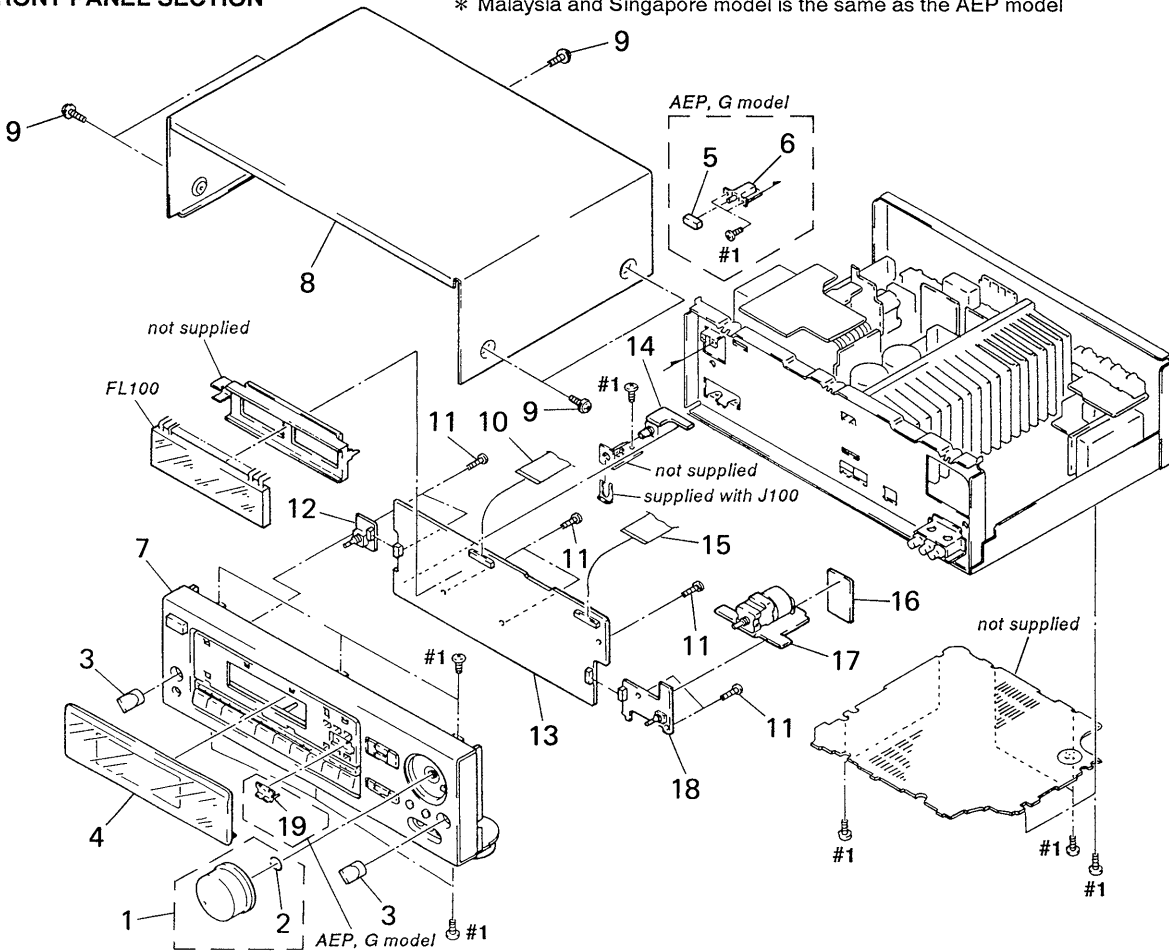
- The mechanical parts with no reference number in the exploded views are not supplied.
- Hardware (# mark) list and accessories and packing materials are given in the last of this parts list.
- Abbreviation
CND : Canadian
G : German
AUS : Australian

The components identified by mark or dotted line with mark are critical for safety. Replace only with part number specified.

Les composants identifiés par une marque sont critiques pour la sécurité. Ne les remplacer que par une pièce portant le numéro spécifié.

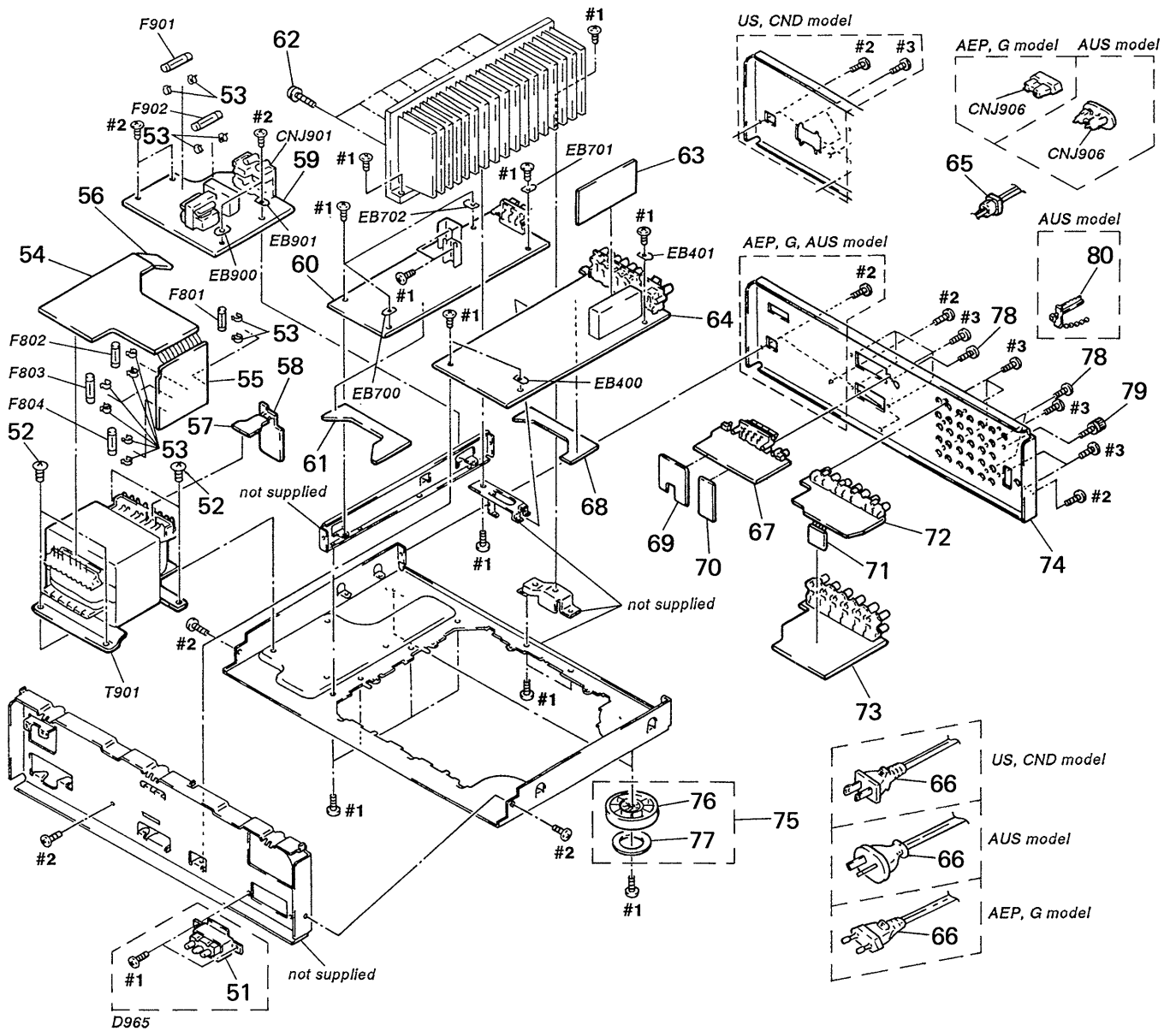
4-1. FRONT PANEL SECTION

* Malaysia and Singapore model is the same as the AEP model



Ref. No.	Part No.	Description	Remark	Ref. No.	Part No.	Description	Remark
1	X-4945-824-1	KNOB (VOL) ASSY		10	1-773-718-11	WIRE (FLAT TYPE) (21 CORE)	
2	3-350-426-01	SPRING, RING		11	4-951-620-01	SCREW (2.6×8), +BVTP	
3	4-957-383-01	KNOB (F14)		* 12	1-656-150-11	SPSW BOARD	
4	4-973-453-01	PLATE, INDICATION (US, CND)		* 13	A-4377-581-A	DISPLAY BOARD, COMPLETE (D865)	
4	4-973-453-11	PLATE, INDICATION (AEP, G)		* 13	A-4377-740-A	DISPLAY BOARD, COMPLETE (D965:US, CND)	
4	4-973-453-21	PLATE, INDICATION (AUS)		* 13	A-4377-741-A	DISPLAY BOARD, COMPLETE (D965:AEP, G)	
5	4-917-460-01	KNOB, POWER (AEP, G)		* 13	A-4378-250-A	DISPLAY BOARD, COMPLETE (D965:AUS)	
* 6	1-656-404-11	AC SW BOARD, COMPLETE (AEP, G)		* 14	1-656-156-11	H. P BOARD	
7	X-4945-939-1	PANEL ASSY, FRONT (D865)		15	1-773-709-11	WIRE (FLAT TYPE) (21 CORE)	
7	X-4945-940-1	PANEL ASSY, FRONT (D965:US, CND)		* 16	1-656-170-11	VS BOARD	
7	X-4945-941-1	PANEL ASSY, FRONT (D965:AEP, G)		* 17	1-656-152-11	VOL BOARD	
7	X-4946-060-1	PANEL ASSY, FRONT (D965:AUS)		* 18	1-656-151-11	MUTSW BOARD	
8	4-931-031-11	CASE		19	4-972-584-01	BUTTON (RDS) (AEP, G)	
9	3-704-366-01	SCREW (CASE) (M3×8)		FL100	1-517-402-11	INDICATOR TUBE, FLUORESCENT	

4-2. CHASSIS SECTION



Ref. No.	Part No.	Description	Remark
* 51	1-656-157-11	VIDEO 3 BOARD (D965)	
52	4-381-962-11	SCREW +BVTT 4x8 (S)	
53	1-533-217-31	HOLDER, FUSE	
* 54	1-656-164-11	SEC-B BOARD	
* 55	1-656-167-11	SEC-A BOARD	
* 56	1-656-168-11	SEC-C BOARD	
* 57	1-656-165-11	PRIM-B BOARD	
* 58	1-656-158-11	PRIM-A BOARD	
* 59	1-656-163-11	PS BOARD	
* 60	A-4377-753-A	AMP BOARD, COMPLETE (D965:US, CND)	
* 60	A-4377-754-A	AMP BOARD, COMPLETE (D965:AEP, G)	
* 60	A-4377-771-A	AMP BOARD, COMPLETE (D865)	
* 60	A-4378-251-A	AMP BOARD, COMPLETE (D965:AUS)	
* 61	1-656-161-11	CONT AS-2 BOARD	
62	3-905-609-01	SCREW (TRANSISTOR)	
* 63	A-4377-745-A	PHONO BOARD, COMPLETE (US, CND, AUS)	
* 63	A-4377-746-A	PHONO BOARD, COMPLETE (AEP, G)	
* 64	A-4377-755-A	SURR BOARD, COMPLETE (D965:US, CND)	
* 64	A-4377-756-A	SURR BOARD, COMPLETE (D965:AEP, G)	
* 64	A-4377-757-A	SURR BOARD, COMPLETE (D965:AUS)	
* 64	A-4377-772-A	SURR BOARD, COMPLETE (D865)	
* 65	3-703-244-00	BUSHING (2104), CORD	
△66	1-696-847-11	CORD, POWER (AUS)	
△66	1-769-743-11	CORD, POWER (US, CND)	
△66	1-769-744-11	CORD, POWER (AEP, G)	
* 67	1-656-162-11	SPTM BOARD	
* 68	1-656-160-11	CONT AS-1 BOARD	
* 69	1-656-169-11	APS 1 BOARD	
* 70	1-657-677-11	APS 2 BOARD	
* 71	1-656-155-11	VIDEO-B BOARD	
* 72	1-656-154-11	VIDEO-A BOARD	
* 73	1-656-218-11	AUDIO 2F BOARD	
* 74	4-973-452-01	PANEL, BACK (D965:US)	
* 74	4-973-452-11	PANEL, BACK (D965:CND)	
* 74	4-973-452-21	PANEL, BACK (D965:AUS)	
* 74	4-973-452-31	PANEL, BACK (D965:AEP, G)	
* 74	4-973-452-41	PANEL, BACK (D865:US)	
* 74	4-973-452-51	PANEL, BACK (D865:CND)	
75	X-4941-291-1	FOOT ASSY (F58175S) (US, CND)	
75	X-4941-292-1	FOOT ASSY (F58175S) (AEP, G, AUS)	

Ref. No.	Part No.	Description	Remark
76	3-318-688-31	FOOT (F58175S) (AEP, G, AUS)	
76	3-318-688-51	FOOT (F58175S) (US, CND)	
77	4-923-836-21	CUSHION	
78	3-704-515-01	SCREW (BV/RING)	
79	4-947-010-01	SCREW, FEEDER FIXED	
80	4-956-370-12	BAND, PLUG FIXED (AUS)	
△CNJ901	1-540-060-11	OUTLET, AC (POLAR) (US, CND)	
△CNJ906	1-251-078-11	OUTLET, AC (AUS)	
△CNJ906	1-526-794-11	OUTLET, AC (AEP, G)	
EB400	1-537-770-21	TERMINAL BOARD, GROUND	
EB401	1-537-770-21	TERMINAL BOARD, GROUND	
EB700	1-537-770-21	TERMINAL BOARD, GROUND	
EB701	1-537-770-21	TERMINAL BOARD, GROUND	
EB702	1-537-770-21	TERMINAL BOARD, GROUND	
EB900	1-537-770-21	TERMINAL BOARD, GROUND (US, CND)	
EB901	1-537-770-21	TERMINAL BOARD, GROUND (US, CND)	
△F801	1-532-506-51	FUSE (T6. 3AL 250V) (AEP, G, AUS)	
△F801	1-532-748-11	FUSE, GLASS TUBE6. 3A 125V (US, CND)	
△F802	1-532-506-51	FUSE (T6. 3AL 250V) (AEP, G, AUS)	
△F802	1-532-748-11	FUSE, GLASS TUBE6. 3A 125V (US, CND)	
△F803	1-532-237-00	FUSE, TIME LAG (T3. 15AL 250V) (D965:AEP, G, AUS)	
△F803	1-533-419-11	FUSE, GLASS CYLINDRICAL (DIA. 5) (4A 125V) (D965:US, CND)	
△F803	1-576-107-11	FUSE (3. 15A 125V) (D865)	
△F804	1-532-237-00	FUSE, TIME LAG (T3. 15AL 250V) (D965:AEP, G, AUS)	
△F804	1-533-419-11	FUSE, GLASS CYLINDRICAL (DIA. 5) (4A 125V) (D965:US, CND)	
△F804	1-576-107-11	FUSE (3. 15A 125V) (D865)	
△F901	1-532-237-00	FUSE, TIME LAG (T3. 15AL 250V) (D965:AEP, G, AUS)	
△F901	1-532-748-11	FUSE, GLASS TUBE6. 3A 125V (D865)	
△F901	1-532-749-11	FUSE, GLASS CYLINDRICAL (DIA. 5) (8A 125V) (D965:US, CND)	
△F902	1-532-286-00	FUSE (T2. 5AL 250V) (D965:AEP, G, AUS)	
△T901	1-427-726-12	TRANSFORMER, POWER (D965:US)	
△T901	1-427-727-11	TRANSFORMER, POWER (D965:CND)	
△T901	1-427-728-11	TRANSFORMER, POWER (D965:AEP, G, AUS)	
△T901	1-427-729-12	TRANSFORMER, POWER (D865:US)	
△T901	1-427-730-12	TRANSFORMER, POWER (D865:CND)	

The components identified by mark △ or dotted line with mark △ are critical for safety. Replace only with part number specified.

Les composants identifiés par une marque △ sont critiques pour la sécurité. Ne les remplacer que par une pièce portant le numéro spécifié.

SECTION 5 ELECTRICAL PARTS LIST

AC SW	AMP
--------------	------------

NOTE :

- Due to standardization, replacements in the parts list may be different from the parts specified in the diagrams or the components used on the set.
- -XX, -X mean standardized parts, so they may have some difference from the original one.
- RESISTORS
All resistors are in ohms
METAL : Metal-film resistor
METAL OXIDE : Metal oxide-film resistor
F : nonflammable

- Items marked “ * ” are not stocked since they are seldom required for routine service. Some delay should be anticipated when ordering these items.
- SEMICONDUCTORS
In each case, u : μ , for example :
uA.... : μ A.... , uPA.... : μ PA....
uPB.... : μ PB.... , uPC.... : μ PC....
uPD.... : μ PD....
- CAPACITORS ● Abbreviation
uF : μ F CND : Canadian
 G : German
● COILS AUS : Australian
uH : μ H

The components identified by mark Δ or dotted line with mark Δ are critical for safety. Replace only with part number specified.

Les composants identifiés par une marque Δ sont critiques pour la sécurité. Ne les remplacer que par une pièce portant le numéro spécifié.

When indicating parts by reference number, please include the board.

* Malaysia and Singapore model is the same as the AEP model

Ref. No.	Part No.	Description	Remark		Ref. No.	Part No.	Description	Remark
*	1-656-404-11	AC SW BOARD, COMPLETE (AEP, G) *****			C621	1-126-963-11	ELECT 4.7uF 20% 50V	
		< CAPACITOR >			C622	1-162-282-31	CERAMIC 100PF 10% 50V	
Δ C912	1-161-744-51	CERAMIC 0.01uF 400V (AEP, G)			C623	1-162-282-31	CERAMIC 100PF 10% 50V	
		< CONNECTOR >			C624	1-124-443-00	ELECT 100uF 20% 10V	
CNP907	1-580-230-11	PIN, CONNECTOR (PC BOARD) 2P (AEP, G)			C626	1-136-157-00	FILM 0.022uF 5% 50V	
		< SWITCH >			C656	1-126-963-11	ELECT 4.7uF 20% 50V	
Δ S901	1-572-267-21	SWITCH, PUSH (AC POWER) (1 KEY) (POWER) (AEP, G)			C661	1-164-096-11	CERAMIC 0.01uF 50V	
		*****			C671	1-126-963-11	ELECT 4.7uF 20% 50V	
*	A-4377-753-A	AMP BOARD, COMPLETE (D965:US, CND)			C672	1-162-282-31	CERAMIC 100PF 10% 50V	
*	A-4377-771-A	AMP BOARD, COMPLETE (D865)			C673	1-162-282-31	CERAMIC 100PF 10% 50V	
*	A-4377-754-A	AMP BOARD, COMPLETE (D965:AEP, G)			C674	1-124-443-00	ELECT 100uF 20% 10V	
*	A-4378-251-A	AMP BOARD, COMPLETE (D965:AUS)			C676	1-136-157-00	FILM 0.022uF 5% 50V	
		*****			C701	1-104-664-11	ELECT 47uF 20% 16V	
		< TERMINAL BOARD >			C702	1-107-597-11	CERAMIC 22PF 10% 500V	
	1-537-770-21	TERMINAL BOARD, GROUND			C703	1-107-597-11	CERAMIC 22PF 10% 500V	
		< CAPACITOR >			C704	1-136-157-00	FILM 0.022uF 5% 50V	
C601	1-104-664-11	ELECT 47uF 20% 16V			C705	1-164-159-11	CERAMIC 0.1uF 50V	
C602	1-107-597-11	CERAMIC 22PF 10% 500V			C706	1-164-159-11	CERAMIC 0.1uF 50V	
C603	1-107-597-11	CERAMIC 22PF 10% 500V			C711	1-126-941-11	ELECT 470uF 20% 6.3V	
C604	1-136-157-00	FILM 0.022uF 5% 50V			C712	1-124-463-00	ELECT 0.1uF 20% 50V	
C605	1-164-159-11	CERAMIC 0.1uF 50V			C751	1-104-664-11	ELECT 47uF 20% 16V	
C606	1-164-159-11	CERAMIC 0.1uF 50V			C752	1-107-597-11	CERAMIC 22PF 10% 500V	
C610	1-164-159-11	CERAMIC 0.1uF 50V			C753	1-107-597-11	CERAMIC 22PF 10% 500V	
C611	1-164-096-11	CERAMIC 0.01uF 50V			C754	1-136-157-00	FILM 0.022uF 5% 50V	
C612	1-164-096-11	CERAMIC 0.01uF 50V (AEP, G)			C755	1-164-159-11	CERAMIC 0.1uF 50V	
					C756	1-164-159-11	CERAMIC 0.1uF 50V	
					C801	1-124-907-11	ELECT 10uF 20% 50V	
					C802	1-126-967-11	ELECT 47uF 20% 35V	
					C803	1-125-729-11	ELECT 10000uF 20% 63V (D865, AEP, G)	
					C803	1-109-932-11	ELECT 10000uF 20% 71V (D965:US, CND, AUS)	
					C804	1-125-729-11	ELECT 10000uF 20% 63V (D865, AEP, G)	
					C804	1-109-932-11	ELECT 10000uF 20% 71V (D965:US, CND, AUS)	

Ref. No.	Part No.	Description	Remark
C805	1-137-420-11	FILM 0.047uF 10% 100V	
C806	1-137-420-11	FILM 0.047uF 10% 100V	
C807	1-104-664-11	ELECT 47uF 20% 16V	
C808	1-104-664-11	ELECT 47uF 20% 16V	
C811	1-126-413-11	ELECT 3300uF 20% 35V (D865, AEP, G, AUS)	
C811	1-126-224-11	ELECT 4700uF 20% 42V (D965:US, CND)	
C812	1-126-413-11	ELECT 3300uF 20% 35V (D865, AEP, G, AUS)	
C812	1-126-224-11	ELECT 4700uF 20% 42V (D965:US, CND)	
C813	1-136-495-11	FILM 0.068uF 5% 50V	
C814	1-136-495-11	FILM 0.068uF 5% 50V	
C815	1-126-967-11	ELECT 47uF 20% 35V	
C816	1-126-967-11	ELECT 47uF 20% 35V	
< CONNECTOR >			
CNJ601	1-770-404-11	HOUSING, CONNECTOR (PC BOARD) 11P	
CNJ701	1-770-404-11	HOUSING, CONNECTOR (PC BOARD) 11P	
* CNJ802	1-565-495-11	CONNECTOR, BOARD TO BOARD 4P	
CNJ803	1-770-382-11	CONNECTOR, BOARD TO BOARD 12P	
CNP702	1-770-481-11	PIN, CONNECTOR 4P	
* CNP801	1-560-259-00	CONNECTOR PIN, WITH LOCK 6P	
CNS702	1-764-926-11	CONNECTOR, FFC (LIF (NON-ZIF)) 21P	
< DIODE >			
D601	8-719-987-63	DIODE 1N4148M	
D602	8-719-010-06	DIODE UZ-2. 2BS	
D603	8-719-010-06	DIODE UZ-2. 2BS	
D604	8-719-987-63	DIODE 1N4148M	
D605	8-719-815-85	DIODE 1S1585	
D606	8-719-815-85	DIODE 1S1585	
D607	8-719-987-63	DIODE 1N4148M	
D608	8-719-987-63	DIODE 1N4148M	
D631	8-719-987-63	DIODE 1N4148M	
D632	8-719-987-63	DIODE 1N4148M	
D701	8-719-987-63	DIODE 1N4148M	
D702	8-719-010-06	DIODE UZ-2. 2BS	
D703	8-719-010-06	DIODE UZ-2. 2BS	
D704	8-719-987-63	DIODE 1N4148M	
D705	8-719-815-85	DIODE 1S1585	
D706	8-719-815-85	DIODE 1S1585	
D710	8-719-815-85	DIODE 1S1585	
D711	8-719-815-85	DIODE 1S1585	
D713	8-719-987-63	DIODE 1N4148M	
D714	8-719-987-63	DIODE 1N4148M	
D716	8-719-987-63	DIODE 1N4148M	
D751	8-719-987-63	DIODE 1N4148M	

Ref. No.	Part No.	Description	Remark
D752	8-719-010-06	DIODE UZ-2. 2BS	
D753	8-719-010-06	DIODE UZ-2. 2BS	
D754	8-719-987-63	DIODE 1N4148M	
D755	8-719-815-85	DIODE 1S1585	
D756	8-719-815-85	DIODE 1S1585	
D763	8-719-987-63	DIODE 1N4148M	
D801	8-719-002-76	DIODE UZL-36H	
D802	8-719-302-38	DIODE RBV-602-01	
D803	8-719-025-03	DIODE RBA-402-SL	
< IC >			
IC601	8-759-069-56	IC LM3875	
IC651	8-759-069-56	IC LM3875	
IC801	8-759-263-43	IC TA78M12S	
IC803	8-759-604-45	IC M5F79M12L	
< COIL >			
L601	1-420-872-00	COIL, AIR-CORE	
L602	1-420-872-00	COIL, AIR-CORE	
L652	1-420-872-00	COIL, AIR-CORE	
< TRANSISTOR >			
Q601	8-729-119-76	TRANSISTOR 2SA1175-HFE	
Q602	8-729-141-30	TRANSISTOR 2SC3623A-LK	
Q603	8-749-010-25	IC MN2488-OPY-M	
Q604	8-749-010-26	IC MP1620-OPY-M	
Q605	8-729-140-82	TRANSISTOR 2SA988-PAFAEA	
Q606	8-729-140-82	TRANSISTOR 2SA988-PAFAEA	
Q607	8-729-119-79	TRANSISTOR 2SC2785-FEK	
Q608	8-729-119-79	TRANSISTOR 2SC2785-FEK	
Q701	8-729-119-76	TRANSISTOR 2SA1175-HFE	
Q702	8-729-141-30	TRANSISTOR 2SC3623A-LK	
Q703	8-749-010-25	IC MN2488-OPY-M	
Q704	8-749-010-26	IC MP1620-OPY-M	
Q705	8-729-140-82	TRANSISTOR 2SA988-PAFAEA	
Q706	8-729-140-82	TRANSISTOR 2SA988-PAFAEA	
Q711	8-729-140-82	TRANSISTOR 2SA988-PAFAEA	
Q712	8-729-119-79	TRANSISTOR 2SC2785-FEK	
Q713	8-729-140-84	TRANSISTOR 2SC1841-PAFAEA	
Q751	8-729-119-76	TRANSISTOR 2SA1175-HFE	
Q752	8-729-141-30	TRANSISTOR 2SC3623A-LK	
Q753	8-749-010-25	IC MN2488-OPY-M	
Q754	8-749-010-26	IC MP1620-OPY-M	
Q755	8-729-140-82	TRANSISTOR 2SA988-PAFAEA	
Q756	8-729-140-82	TRANSISTOR 2SA988-PAFAEA	
Q801	8-729-140-96	TRANSISTOR 2SD774-34	
Q802	8-729-119-79	TRANSISTOR 2SC2785-FEK	



Ref. No.	Part No.	Description	Remark	Ref. No.	Part No.	Description	Remark
		< RESISTOR >					
R600	1-249-437-11	CARBON	47K 5% 1/4W	△R706	1-233-352-21	ENCAPSULATED COMPONENT 0.22 2W F	
△R601	1-249-393-11	CARBON	10 5% 1/4W F	R707	1-249-425-11	CARBON	4.7K 5% 1/4W
R603	1-249-421-11	CARBON	2.2K 5% 1/4W	R708	1-249-421-11	CARBON	2.2K 5% 1/4W
R604	1-249-414-11	CARBON	560 5% 1/4W	R709	1-249-431-11	CARBON	15K 5% 1/4W
△R605	1-249-393-11	CARBON	10 5% 1/4W F	R710	1-249-425-11	CARBON	4.7K 5% 1/4W
△R606	1-233-352-21	ENCAPSULATED COMPONENT 0.22 2W F		R711	1-249-421-11	CARBON	2.2K 5% 1/4W
R607	1-249-425-11	CARBON	4.7K 5% 1/4W	R712	1-249-431-11	CARBON	15K 5% 1/4W
R608	1-249-421-11	CARBON	2.2K 5% 1/4W	R714	1-249-437-11	CARBON	47K 5% 1/4W
R609	1-249-431-11	CARBON	15K 5% 1/4W	△R715	1-249-393-11	CARBON	10 5% 1/4W F
R610	1-249-425-11	CARBON	4.7K 5% 1/4W	R719	1-215-868-00	METAL OXIDE	680 5% 1W
R611	1-249-421-11	CARBON	2.2K 5% 1/4W	R721	1-249-429-11	CARBON	10K 5% 1/4W
R612	1-249-431-11	CARBON	15K 5% 1/4W	R722	1-249-435-11	CARBON	33K 5% 1/4W
△R613	1-249-389-11	CARBON	4.7 5% 1/4W F	R723	1-249-427-11	CARBON	6.8K 5% 1/4W
R614	1-249-439-11	CARBON	68K 5% 1/4W	R727	1-249-417-11	CARBON	1K 5% 1/4W
△R615	1-249-393-11	CARBON	10 5% 1/4W F	R732	1-249-429-11	CARBON	10K 5% 1/4W
R617	1-249-438-11	CARBON	56K 5% 1/4W	R750	1-249-437-11	CARBON	47K 5% 1/4W
R618	1-249-393-11	CARBON	10 5% 1/4W	△R751	1-249-393-11	CARBON	10 5% 1/4W F
R619	1-249-393-11	CARBON	10 5% 1/4W (AEP, G)	R753	1-249-421-11	CARBON	2.2K 5% 1/4W
R621	1-249-438-11	CARBON	56K 5% 1/4W	R754	1-249-414-11	CARBON	560 5% 1/4W
R623	1-249-411-11	CARBON	330 5% 1/4W	△R755	1-249-393-11	CARBON	10 5% 1/4W F
R624	1-249-438-11	CARBON	56K 5% 1/4W	△R756	1-233-352-21	ENCAPSULATED COMPONENT 0.22 2W F	
△R625	1-249-389-11	CARBON	4.7 5% 1/4W F	R757	1-249-425-11	CARBON	4.7K 5% 1/4W
R626	1-249-438-11	CARBON	56K 5% 1/4W	R758	1-249-421-11	CARBON	2.2K 5% 1/4W
△R627	1-249-393-11	CARBON	10 5% 1/4W F	R759	1-249-431-11	CARBON	15K 5% 1/4W
R631	1-249-429-11	CARBON	10K 5% 1/4W	R760	1-249-425-11	CARBON	4.7K 5% 1/4W
R632	1-249-425-11	CARBON	4.7K 5% 1/4W	R761	1-249-421-11	CARBON	2.2K 5% 1/4W
△R633	1-249-411-11	CARBON	330 5% 1/4W F	R762	1-249-431-11	CARBON	15K 5% 1/4W
△R633	1-249-414-11	CARBON	560 5% 1/4W F (D865, AEP, G, AUS)	R764	1-249-438-11	CARBON	56K 5% 1/4W
△R634	1-249-411-11	CARBON	330 5% 1/4W F (D965:US, CND)	△R765	1-249-393-11	CARBON	10 5% 1/4W F
△R634	1-249-414-11	CARBON	560 5% 1/4W F (D865, AEP, G, AUS)	R769	1-215-868-00	METAL OXIDE	680 5% 1W
R635	1-249-429-11	CARBON	10K 5% 1/4W	R801	1-249-423-11	CARBON	3.3K 5% 1/4W
R636	1-249-425-11	CARBON	4.7K 5% 1/4W	△R802	1-249-409-11	CARBON	220 5% 1/4W F
R668	1-249-393-11	CARBON	10 5% 1/4W	R803	1-215-883-11	METAL OXIDE	33 5% 2W
R671	1-249-438-11	CARBON	56K 5% 1/4W	R804	1-215-883-11	METAL OXIDE	33 5% 2W
R673	1-249-411-11	CARBON	330 5% 1/4W	R806	1-215-883-11	METAL OXIDE	33 5% 2W
R674	1-249-438-11	CARBON	56K 5% 1/4W	R807	1-249-425-11	CARBON	4.7K 5% 1/4W
△R675	1-249-389-11	CARBON	4.7 5% 1/4W F	R808	1-249-429-11	CARBON	10K 5% 1/4W
R676	1-249-437-11	CARBON	47K 5% 1/4W	△R809	1-249-405-11	CARBON	100 5% 1/4W F
△R677	1-249-393-11	CARBON	10 5% 1/4W F	△R810	1-249-405-11	CARBON	100 5% 1/4W F
R700	1-249-437-11	CARBON	47K 5% 1/4W	△R812	1-249-411-11	CARBON	330 5% 1/4W F
△R701	1-249-393-11	CARBON	10 5% 1/4W F				(D865, AEP, G, AUS)
R703	1-249-421-11	CARBON	2.2K 5% 1/4W	△R812	1-249-414-11	CARBON	560 5% 1/4W F
R704	1-249-414-11	CARBON	560 5% 1/4W				(D965:US, CND)
△R705	1-249-393-11	CARBON	10 5% 1/4W F	R813	1-215-883-11	METAL OXIDE	33 5% 2W
							(D965:US, CND)
				R814	1-215-883-11	METAL OXIDE	33 5% 2W
							(D965:US, CND)
				R815	1-215-883-11	METAL OXIDE	33 5% 2W
				R816	1-215-883-11	METAL OXIDE	33 5% 2W
							(D965:US, CND)

The components identified by mark △ or dotted line with mark △ are critical for safety. Replace only with part number specified.	Les composants identifiés par une marque △ sont critiques pour la sécurité. Ne les remplacer que par une pièce portant le numéro spécifié.
--	---

AMP**APS 1****APS 2****AUDIO 2F****CONT AS-1****CONT AS-2****DISPLAY**

Ref. No.	Part No.	Description	Remark
R817	1-215-883-11	METAL OXIDE	33 5% 2W (D965:US, CND)
		< RELAY >	
RY601	1-515-765-11	RELAY	
RY602	1-515-533-11	RELAY	
		< TERMINAL >	
TM601	1-537-510-11	TERMINAL BOARD (SPEAKER) (6P)	(SURROUND SPEAKER)

*	1-656-169-11	APS 1 BOARD	*****
		< CONNECTOR >	
CNP704	1-695-087-11	PIN, CONNECTOR (PC BOARD) 7P	
CNP803	1-770-407-11	CONNECTOR, BOARD TO BOARD 12P	
CNP905	1-770-379-11	CONNECTOR, BOARD TO BOARD 6P	

*	1-657-677-11	APS 2 BOARD	*****
		< CONNECTOR >	
CNJ702	1-770-569-11	SOCKET 4P	
CNP703	1-770-481-11	PIN, CONNECTOR 4P	

*	1-656-218-11	AUDIO 2F BOARD	*****
		< CAPACITOR >	
C208	1-126-963-11	ELECT	4.7uF 20% 50V (US, CND, AUS)
C319-324	1-162-282-31	CERAMIC	100PF 10% 50V (AEP, G)
C369-374	1-162-282-31	CERAMIC	100PF 10% 50V (AEP, G)
C395	1-162-282-31	CERAMIC	100PF 10% 50V
C396	1-162-294-31	CERAMIC	0.001uF 10% 50V
		< CONNECTOR >	
CNJ302	1-695-096-11	SOCKET, CONNECTOR 15P	
CNP301	1-695-087-11	PIN, CONNECTOR (PC BOARD) 7P	
		< IC >	
IC304	8-759-805-14	IC	LC7822
		< JACK >	
J303	1-691-887-11	JACK, PIN 6P (LD, TV, VIDEO 2)	

Ref. No.	Part No.	Description	Remark
J304	1-580-825-11	JACK, PIN 6P (VIDEO 1, VIDEO 2)	
		< RESISTOR >	
R322-327	1-249-417-11	CARBON	1K 5% 1/4W
R372-377	1-249-417-11	CARBON	1K 5% 1/4W
R395	1-249-417-11	CARBON	1K 5% 1/4W
R396	1-249-425-11	CARBON	4.7K 5% 1/4W

*	1-656-160-11	CONT AS-1 BOARD	*****
		< CONNECTOR >	
CNP501	1-770-553-11	CONNECTOR, BOARD TO BOARD 11P	
CNP701	1-770-553-11	CONNECTOR, BOARD TO BOARD 11P	

*	1-656-161-11	CONT AS-2 BOARD	*****
		< CONNECTOR >	
CNP502	1-770-553-11	CONNECTOR, BOARD TO BOARD 11P	
CNP601	1-770-553-11	CONNECTOR, BOARD TO BOARD 11P	
		< RESISTOR >	
R662	1-249-417-11	CARBON	1K 5% 1/4W
R672	1-249-417-11	CARBON	1K 5% 1/4W

*	A-4378-250-A	DISPLAY BOARD, COMPLETE	(D965:AUS)
*	A-4377-740-A	DISPLAY BOARD, COMPLETE	(D965:US, CND)
*	A-4377-741-A	DISPLAY BOARD, COMPLETE	(D965:AEP, G)
*	A-4377-581-A	DISPLAY BOARD, COMPLETE	(D865)

		< CAPACITOR >	
C100	1-136-173-00	FILM	0.47uF 5% 50V
C101	1-126-096-11	ELECT	10uF 20% 35V
C102	1-124-261-00	ELECT	10uF 20% 50V
C103	1-164-159-11	CERAMIC	0.1uF 50V
C104	1-124-261-00	ELECT	10uF 20% 50V
C105	1-104-905-11	CAP, DOUBLE LAYERS	0.22F 5.5V
C106	1-164-159-11	CERAMIC	0.1uF 50V
C107	1-136-173-00	FILM	0.47uF 5% 50V
C108-110	1-164-159-11	CERAMIC	0.1uF 50V
C111	1-162-306-11	CERAMIC	0.01uF 30% 16V
C112	1-164-159-11	CERAMIC	0.1uF 50V
C113	1-164-159-11	CERAMIC	0.1uF 50V

DISPLAY

Ref. No.	Part No.	Description	Remark
C114	1-162-286-31	CERAMIC 220PF	10% 50V
C115	1-124-589-11	ELECT 47uF	20% 16V
< CONNECTOR >			
CN100	1-770-396-11	HOUSING, CONNECTOR (PC BOARD) 3P	
* CN101	1-565-480-11	CONNECTOR, BOARD TO BOARD 4P	
* CN102	1-565-481-11	CONNECTOR, BOARD TO BOARD 5P	
CN103	1-770-398-11	HOUSING, CONNECTOR (PC BOARD) 5P	
CNS100	1-766-034-11	CONNECTOR, FFC (LIF(NON-ZIF)) 21P	
CNS101	1-766-034-11	CONNECTOR, FFC (LIF(NON-ZIF)) 21P	
< DIODE >			
D109	8-719-987-63	DIODE 1N4148M (AEP, G, AUS)	
D112	8-719-987-63	DIODE 1N4148M (D965)	
D115-117	8-719-987-63	DIODE 1N4148M	
D118	8-719-301-49	LED SEL6810A (DPC MODE INDEX)	
D119	8-719-301-49	LED SEL6810A (DPC MODE TONE)	
D120	8-719-301-49	LED SEL6810A (DPC MODE SUR)	
D121	8-719-301-49	LED SEL6810A (INFORMATION) (AEP, G)	
D122	8-719-301-49	LED SEL6810A (NEWS) (AEP, G)	
D123	8-719-301-49	LED SEL6810A (TA) (AEP, G)	
D124	8-719-301-49	LED SEL6810A (TAPE MONITOR)	
D125	8-719-313-43	LED SEL6210S-TH10 (STANDBY) (AEP, G, AUS)	
D127	8-719-987-63	DIODE 1N4148M (AEP, G)	
D128	8-719-987-63	DIODE 1N4148M	
D140-147	8-719-987-63	DIODE 1N4148M	
< INDICATOR TUBE >			
FL100	1-517-402-11	INDICATOR TUBE, FLUORESCENT	
< IC >			
IC100	8-759-075-35	IC TD62C950RF	
IC101	8-759-635-31	IC M50253P	
IC102	8-749-923-11	IC GP1U58XB	
IC103	8-759-820-62	IC LB1639	
IC104	8-759-353-91	IC MB90673PF-104	
IC105	8-759-075-35	IC TD62C950RF	
< COIL >			
L101	1-410-509-11	INDUCTOR 10uH	
< TRANSISTOR >			
Q100	8-729-422-57	TRANSISTOR UN4111	
Q101	8-729-900-80	TRANSISTOR DTC114ES	
Q103	8-729-900-36	TRANSISTOR DTC124ES	

Ref. No.	Part No.	Description	Remark
Q104	8-729-119-76	TRANSISTOR 2SA1175-HFE	
Q105	8-729-119-79	TRANSISTOR 2SC2785-FEK	
Q106	8-729-900-80	TRANSISTOR DTC114ES	
Q107	8-729-900-80	TRANSISTOR DTC114ES (AEP, G, AUS)	
Q108	8-729-900-80	TRANSISTOR DTC114ES (AEP, G, AUS)	
< RESISTOR >			
R100-102			
	1-249-413-11	CARBON 470 5%	1/4W
R103	1-249-429-11	CARBON 10K 5%	1/4W
R104	1-247-807-31	CARBON 100 5%	1/4W
R105	1-249-437-11	CARBON 47K 5%	1/4W
R106	1-249-429-11	CARBON 10K 5%	1/4W
R107	1-249-419-11	CARBON 1.5K 5%	1/4W
R108	1-249-437-11	CARBON 47K 5%	1/4W
R113	1-249-425-11	CARBON 4.7K 5%	1/4W
R114	1-249-441-11	CARBON 100K 5%	1/4W
R115	1-249-437-11	CARBON 47K 5%	1/4W
R116-118			
	1-249-429-11	CARBON 10K 5%	1/4W
R119	1-249-437-11	CARBON 47K 5%	1/4W
R120	1-249-417-11	CARBON 1K 5%	1/4W
R121	1-249-437-11	CARBON 47K 5%	1/4W
△R122	1-249-385-11	CARBON 2.2 5%	1/6W F
R123	1-249-437-11	CARBON 47K 5%	1/4W
△R127	1-249-385-11	CARBON 2.2 5%	1/6W F
R128-134			
	1-249-433-11	CARBON 22K 5%	1/4W
R140	1-249-425-11	CARBON 4.7K 5%	1/4W
R141	1-249-417-11	CARBON 1K 5%	1/4W
R142	1-249-417-11	CARBON 1K 5%	1/4W
R143-145			
	1-249-425-11	CARBON 4.7K 5%	1/4W
R146	1-249-429-11	CARBON 10K 5%	1/4W
R150	1-249-437-11	CARBON 47K 5%	1/4W
R155	1-249-429-11	CARBON 10K 5%	1/4W
R156	1-249-425-11	CARBON 4.7K 5%	1/4W (AEP, G, AUS)
R158	1-249-413-11	CARBON 470 5%	1/4W (AEP, G, AUS)
< RELAY >			
RY101	1-515-614-11	RELAY	
< SWITCH >			
S101	1-554-303-21	SWITCH, TACTILE (MEMORY)	
S102	1-554-303-21	SWITCH, TACTILE (DISPLAY)	
S103	1-554-303-21	SWITCH, TACTILE (TUNING/INDEX SELECT +)	
S104	1-554-303-21	SWITCH, TACTILE (TUNING/INDEX SELECT -)	
S105	1-554-303-21	SWITCH, TACTILE (LEVEL)	
S106	1-554-303-21	SWITCH, TACTILE (FM MODE)	

<p>The components identified by mark △ or dotted line with mark △ are critical for safety. Replace only with part number specified.</p>	<p>Les composants identifiés par une marque △ sont critiques pour la sécurité. Ne les remplacer que par une pièce portant le numéro spécifié.</p>
---	--

DISPLAY **H.P** **MUTE SW** **PHONO**

Ref. No.	Part No.	Description	Remark
S107	1-554-303-21	SWITCH, TACTILE (BAND)	
S108	1-554-303-21	SWITCH, TACTILE (POWER ON/STANDBY)	
S109	1-554-303-21	SWITCH, TACTILE (∧)	
S110	1-554-303-21	SWITCH, TACTILE (∨)	
S111	1-554-303-21	SWITCH, TACTILE (3)	
S112	1-554-303-21	SWITCH, TACTILE (6)	
S113	1-554-303-21	SWITCH, TACTILE (9)	
S114	1-554-303-21	SWITCH, TACTILE (SHIFT)	
S115	1-554-303-21	SWITCH, TACTILE (PRESET TUNING -)	
S116	1-554-303-21	SWITCH, TACTILE (<)	
S117	1-554-303-21	SWITCH, TACTILE (>)	
S118	1-554-303-21	SWITCH, TACTILE (2)	
S119	1-554-303-21	SWITCH, TACTILE (5)	
S120	1-554-303-21	SWITCH, TACTILE (8)	
S121	1-554-303-21	SWITCH, TACTILE (0)	
S122	1-554-303-21	SWITCH, TACTILE (PRESET TUNING +)	
S123	1-554-303-21	SWITCH, TACTILE (SOUND FIELD <)	
S124	1-554-303-21	SWITCH, TACTILE (DPC MODE)	
S125	1-554-303-21	SWITCH, TACTILE (1)	
S126	1-554-303-21	SWITCH, TACTILE (4)	
S127	1-554-303-21	SWITCH, TACTILE (7)	
S128	1-554-303-21	SWITCH, TACTILE (DIRECT)	
S129	1-554-303-21	SWITCH, TACTILE (SOUND FIELD ON/OFF)	
S130	1-554-303-21	SWITCH, TACTILE (CENTER MODE)	
S131	1-554-303-21	SWITCH, TACTILE (PHONO)	
S132	1-554-303-21	SWITCH, TACTILE (TUNER)	
S133	1-554-303-21	SWITCH, TACTILE (CD)	
S134	1-554-303-21	SWITCH, TACTILE (DAT/MD)	
S135	1-554-303-21	SWITCH, TACTILE (VIDEO 3)	
S136	1-554-303-21	SWITCH, TACTILE (SOUND FIELD >)	
S137	1-554-303-21	SWITCH, TACTILE (TONE ON/OFF)	
S139	1-554-303-21	SWITCH, TACTILE (VIDEO 1)	
S140	1-554-303-21	SWITCH, TACTILE (VIDEO 2)	
S141	1-554-303-21	SWITCH, TACTILE (TV)	
S142	1-554-303-21	SWITCH, TACTILE (LD)	
S143	1-554-303-21	SWITCH, TACTILE (TAPE MONITOR) (D965)	
S144	1-554-303-21	SWITCH, TACTILE (PTY) (AEP, G)	
S145	1-554-303-21	SWITCH, TACTILE (EON) (AEP, G)	
< VIBRATOR >			
X100	1-567-819-11	VIBRATOR, CERAMIC (4MHz)	

*	1-656-156-11	H. P BOARD	

< CONNECTOR >			
CN150	1-770-387-11	PIN, CONNECTOR (PC BOARD) 3P	

Ref. No.	Part No.	Description	Remark
< JACK >			
J100	1-568-519-41	JACK, LARGE TYPE (PHONES)	

*	1-656-151-11	MUTE SW BOARD	

< CONNECTOR >			
CN105	1-770-399-11	HOUSING, CONNECTOR (PC BOARD) 6P	
* CN152	1-569-799-11	PLUG, CONNECTOR 5P	
< DIODE >			
D106	8-719-301-49	LED SEL6810A (MUTING)	
D108	8-719-301-49	LED SEL6810A (BASS BOOST)	
< RESISTOR >			
R124	1-249-417-11	CARBON 1K 5% 1/4W	
R125	1-249-429-11	CARBON 10K 5% 1/4W	
R126	1-249-417-11	CARBON 1K 5% 1/4W	
< VARIABLE RESISTOR >			
RV100	1-223-880-11	RES, VAR, CARBON 100K/100K (BALANCE)	
< SWITCH >			
S138	1-554-303-21	SWITCH, TACTILE (MUTING)	
S146	1-554-303-21	SWITCH, TACTILE (BASS BOOST)	

*	A-4377-746-A	PHONO BOARD, COMPLETE (AEP, G)	
*	A-4377-745-A	PHONO BOARD, COMPLETE (US, CND, AUS)	

< CAPACITOR >			
C300	1-162-286-31	CERAMIC 220PF 10% 50V (AEP, G)	
C303	1-162-282-31	CERAMIC 100PF 10% 50V	
C304	1-124-477-11	ELECT 47uF 20% 25V	
C305	1-130-480-00	MYLAR 0.0056uF 5% 50V	
C306	1-130-473-00	MYLAR 0.0015uF 5% 50V	
C307	1-124-903-11	ELECT 1uF 20% 50V	
C308	1-164-159-11	CERAMIC 0.1uF 50V	
C350	1-162-286-31	CERAMIC 220PF 10% 50V (AEP, G)	
C353	1-162-282-31	CERAMIC 100PF 10% 50V	
C354	1-124-477-11	ELECT 47uF 20% 25V	
C355	1-130-480-00	MYLAR 0.0056uF 5% 50V	
C356	1-130-473-00	MYLAR 0.0015uF 5% 50V	
C357	1-124-903-11	ELECT 1uF 20% 50V	
C358	1-164-159-11	CERAMIC 0.1uF 50V	
C458	1-124-907-11	ELECT 10uF 20% 50V (AEP, G)	

PHONO PRIM-A PRIM-B PS

Ref.No.	Part No.	Description	Remark
C460	1-164-159-11	CERAMIC 0.1uF	50V (AEP, G)
C461	1-162-306-11	CERAMIC 0.01uF	30% 16V (AEP, G)
C462	1-124-925-11	ELECT 2.2uF	20% 100V (AEP, G)
C463	1-162-288-31	CERAMIC 330PF	10% 50V (AEP, G)
C466	1-162-291-31	CERAMIC 560PF	10% 50V (AEP, G)
< CONNECTOR >			
CN467	1-162-280-31	CERAMIC 82PF	10% 50V (AEP, G)
C468	1-162-215-31	CERAMIC 47PF	5% 50V (AEP, G)
C469	1-162-306-11	CERAMIC 0.01uF	30% 16V (AEP, G)
< CONNECTOR >			
CNJ303	1-695-095-11	SOCKET, CONNECTOR 13P	
CNJ304	1-695-095-11	SOCKET, CONNECTOR 13P	
CNP302	1-695-091-11	PIN, CONNECTOR (PC BOARD) 15P	
< IC >			
IC301	8-759-634-51	IC M5218AP	
IC404	8-759-634-51	IC M5218AP (AEP, G)	
IC405	8-759-169-99	IC SAA6579 (AEP, G)	
< RESISTOR >			
R303	1-249-441-11	CARBON 100K 5%	1/4W
R304	1-249-416-11	CARBON 820 5%	1/4W
R305	1-247-897-11	CARBON 560K 5%	1/4W
R306	1-249-437-11	CARBON 47K 5%	1/4W
R307	1-249-441-11	CARBON 100K 5%	1/4W
R308	1-247-807-31	CARBON 100 5%	1/4W
R353	1-249-441-11	CARBON 100K 5%	1/4W
R354	1-249-416-11	CARBON 820 5%	1/4W
R355	1-247-897-11	CARBON 560K 5%	1/4W
R356	1-249-437-11	CARBON 47K 5%	1/4W
R357	1-249-441-11	CARBON 100K 5%	1/4W
R358	1-247-807-31	CARBON 100 5%	1/4W
R421	1-249-433-11	CARBON 22K 5%	1/4W (AEP, G)
R422	1-249-426-11	CARBON 5.6K 5%	1/4W (AEP, G)
R424	1-249-441-11	CARBON 100K 5%	1/4W (AEP, G)
R425	1-249-441-11	CARBON 100K 5%	1/4W (AEP, G)
R426	1-249-409-11	CARBON 220 5%	1/4W (AEP, G)
R427	1-249-409-11	CARBON 220 5%	1/4W (AEP, G)
R428	1-249-421-11	CARBON 2.2K 5%	1/4W (AEP, G)
< VIBRATOR >			
X402	1-579-900-21	VIBRATOR, CRYSTAL (4.332MHz)	(AEP, G)

Ref.No.	Part No.	Description	Remark
*	1-656-158-11	PRIM-A BOARD	*****
< CONNECTOR >			
CNJ902	1-770-568-11	SOCKET 3P	*****
*	1-656-165-11	PRIM-B BOARD	*****
< CONNECTOR >			
*	1-656-163-11	PS BOARD	*****
< TERMINAL BOARD >			
	1-533-217-31	HOLDER, FUSE	
< CAPACITOR >			
C901	1-161-494-00	CERAMIC 0.022uF	25V
C902	1-161-494-00	CERAMIC 0.022uF	25V
C903	1-124-557-11	ELECT 1000uF	20% 25V
C904	1-124-903-11	ELECT 1uF	20% 50V
C905	1-124-902-00	ELECT 0.47uF	20% 50V
C906	1-124-464-11	ELECT 0.22uF	20% 50V
△C910	1-161-741-00	CERAMIC 0.001uF	10% 400V (AEP, G)
△C911	1-161-741-00	CERAMIC 0.001uF	10% 400V (AEP, G)
C913	1-164-159-11	CERAMIC 0.1uF	50V
< JACK >			
△CNJ901	1-540-060-11	OUTLET, AC (POLAR)	(US, CND)
< CONNECTOR >			
CNJ905	1-770-412-11	CONNECTOR, BOARD TO BOARD	6P
* CNP902	1-564-751-11	PIN, CONNECTOR (WITH LOCK)	2P
CNP903	1-564-321-00	PIN, CONNECTOR	2P
* CNP904	1-580-230-21	PIN, CONNECTOR (PC BOARD)	2P (AEP, G, AUS)
CNP908	1-580-230-11	PIN, CONNECTOR (PC BOARD)	2P (AEP, G)
< DIODE >			
D901-904	8-719-024-99	DIODE 11ES2-NTA2B	
D905-907	8-719-987-63	DIODE 1N4148M	
< FUSE >			
△F901	1-532-237-00	FUSE, TIME LAG (T3.15AL 250V)	(AEP, G, AUS)

<p>The components identified by mark △ or dotted line with mark △ are critical for safety. Replace only with part number specified.</p>	<p>Les composants identifiés par une marque △ sont critiques pour la sécurité. Ne les remplacer que par une pièce portant le numéro spécifié.</p>
---	--

PS SEC-A SEC-B SEC-C SP SW SP TM

Ref. No.	Part No.	Description	Remark
△F901	1-532-748-11	FUSE, GLASS TUBE 6.3A 125V (D865)	
△F901	1-532-749-11	FUSE, GLASS CYLINDRICAL (DIA. 5) (8A 125V) (D965:US, CND)	
△F902	1-532-286-00	FUSE (T2.5AL 250V) (AEP, G, AUS)	
		< IC >	
IC901	8-759-333-83	IC NJM2103D	
		< TRANSISTOR >	
Q901	8-729-119-79	TRANSISTOR 2SC2785-FEK	
Q902	8-729-030-18	TRANSISTOR 2SD2525	
		< RESISTOR >	
△R901	1-202-725-00	SOLID 3.3M 10% 1/2W (US, CND)	
R902	1-249-429-11	CARBON 10K 5% 1/4W	
R903	1-249-425-11	CARBON 4.7K 5% 1/4W	
R904	1-249-417-11	CARBON 1K 5% 1/4W	
R905	1-249-429-11	CARBON 10K 5% 1/4W	
R906	1-247-840-00	CARBON 2.4K 5% 1/4W	
R908	1-249-433-11	CARBON 22K 5% 1/4W	
R909	1-249-439-11	CARBON 68K 5% 1/4W	
R910	1-249-429-11	CARBON 10K 5% 1/4W	
R911	1-249-417-11	CARBON 1K 5% 1/4W	
R912	1-249-423-11	CARBON 3.3K 5% 1/4W	
		< RELAY >	
△RY901	1-515-999-11	RELAY, POWER	
		< TRANSFORMER >	
△T902	1-450-361-11	TRANSFORMER, POWER (US, CND)	
△T902	1-450-358-11	TRANSFORMER, POWER (AEP, G, AUS)	

*	1-656-167-11	SEC-A BOARD	

	1-533-217-31	HOLDER, FUSE	
		< CONNECTOR >	
CNJ801	1-750-552-11	SOCKET 6P	
* CNP802	1-565-480-11	CONNECTOR, BOARD TO BOARD 4P	
		< DIODE >	
D804	8-719-987-63	DIODE 1N4148M	
D908	8-719-014-66	DIODE UZP-5.6B	
		< FUSE >	
△F801	1-532-506-51	FUSE (T6.3AL 250V) (AEP, G, AUS)	

Ref. No.	Part No.	Description	Remark
△F801	1-532-748-11	FUSE, GLASS TUBE 6.3A 125V (US, CND)	
△F802	1-532-506-51	FUSE (T6.3AL 250V) (AEP, G, AUS)	
△F802	1-532-748-11	FUSE, GLASS TUBE 6.3A 125V (US, CND)	
△F803	1-532-237-00	FUSE, TIME LAG (T3.15AL 250V) (D965:AEP, G, AUS)	
△F803	1-533-419-11	FUSE, GLASS CYLINDRICAL (DIA. 5) (4.0A 125V) (D965:US, CND)	
△F803	1-576-107-11	FUSE (3.15A 125V) (D865)	
△F803	1-576-108-11	FUSE (4.0A 125V) (D965:US, CND)	
△F804	1-532-237-00	FUSE, TIME LAG (T3.15AL 250V) (D965:AEP, G, AUS)	
△F804	1-533-419-11	FUSE, GLASS CYLINDRICAL (DIA. 5) (4.0A 125V) (D965:US, CND)	
△F804	1-576-107-11	FUSE (3.15A 125V) (D865)	
△F804	1-576-108-11	FUSE (4.0A 125V) (D965:US, CND)	
		< RELAY >	
RY801	1-755-026-11	RELAY (US, AEP, G, AUS)	
RY851	1-515-918-11	RELAY (CND)	
RY852	1-515-918-11	RELAY (CND)	

*	1-656-164-11	SEC-B BOARD	

*	1-656-168-11	SEC-C BOARD	

*	1-656-150-11	SP SW BOARD	

		< CONNECTOR >	
* CN151	1-565-295-11	PLUG, CONNECTOR 4P	
		< DIODE >	
D113	8-719-987-63	DIODE 1N4148M	
D114	8-719-987-63	DIODE 1N4148M	
		< SWITCH >	
S100	1-762-268-11	SWITCH, ROTARY (SPEAKERS)	

*	1-656-162-11	SP TM BOARD	

		< CAPACITOR >	
C015	1-164-096-11	CERAMIC 0.01uF 50V (AEP, G)	

<p>The components identified by mark △ or dotted line with mark △ are critical for safety. Replace only with part number specified.</p>	<p>Les composants identifiés par une marque △ sont critiques pour la sécurité. Ne les remplacer que par une pièce portant le numéro spécifié.</p>
---	---

SP TM

SURR

Ref.No.	Part No.	Description	Remark
C016	1-164-096-11	CERAMIC 0.01uF	50V (AEP, G)
C019	1-162-282-31	CERAMIC 100PF 10%	50V (AEP, G)
C065	1-164-096-11	CERAMIC 0.01uF	50V (AEP, G)
C066	1-164-096-11	CERAMIC 0.01uF	50V (AEP, G)
< CONNECTOR >			
CNJ703	1-770-569-11	SOCKET 4P	
CNJ704	1-695-092-11	SOCKET, CONNECTOR 7P	
< DIODE >			
D712	8-719-987-63	DIODE 1N4148M	
D762	8-719-987-63	DIODE 1N4148M	
< JACK >			
J701	1-770-377-21	JACK, PIN 1P (MIX OUT)	
< COIL >			
L701	1-420-872-00	COIL, AIR-CORE	
L751	1-420-872-00	COIL, AIR-CORE	
< TRANSISTOR >			
Q714	8-729-119-79	TRANSISTOR 2SC2785-FEK	
Q716	8-729-900-80	TRANSISTOR DTC114ES (D865)	
Q717	8-729-119-76	TRANSISTOR 2SA1175-HFE (D865)	
Q718	8-729-900-80	TRANSISTOR DTC114ES (D865)	
Q764	8-729-119-79	TRANSISTOR 2SC2785-FEK	
< RESISTOR >			
R002	1-249-393-11	CARBON 10 5% 1/4W (AEP, G)	
R003	1-249-393-11	CARBON 10 5% 1/4W (AEP, G)	
R052	1-249-393-11	CARBON 10 5% 1/4W (AEP, G)	
R053	1-249-393-11	CARBON 10 5% 1/4W (AEP, G)	
△R713	1-249-389-11	CARBON 4.7 5% 1/4W F	
R718	1-249-421-11	CARBON 2.2K 5% 1/4W	
R724	1-249-429-11	CARBON 10K 5% 1/4W	
R725	1-249-425-11	CARBON 4.7K 5% 1/4W	
△R726	1-249-411-11	CARBON 330 5% 1/4W F (D865, AEP, G)	
△R726	1-249-414-11	CARBON 560 5% 1/4W F (D965:US, CND, AUS)	
R730-732			
	1-249-438-11	CARBON 56K 5% 1/4W	
R733	1-249-429-11	CARBON 10K 5% 1/4W (D865)	
R734	1-249-429-11	CARBON 10K 5% 1/4W (D865)	
△R763	1-249-389-11	CARBON 4.7 5% 1/4W F	
R774	1-249-429-11	CARBON 10K 5% 1/4W	
R775	1-249-425-11	CARBON 4.7K 5% 1/4W	
△R776	1-249-411-11	CARBON 330 5% 1/4W F (D865, AEP, G)	
△R776	1-249-414-11	CARBON 560 5% 1/4W F (D965:US, CND, AUS)	

Ref.No.	Part No.	Description	Remark
< RELAY >			
RY701	1-515-765-11	RELAY	
RY702	1-515-765-11	RELAY	
< SWITCH >			
S701	1-692-196-11	SWITCH, SLIDE (IMPEDANCE SELECTOR) (D965:US, CND, AUS)	
< TERMINAL >			
TM701	1-537-376-11	TERMINAL BOARD (SP) (FRONT SPEAKER)	

*	A-4377-755-A	SURR BOARD, COMPLETE (D965:US, CND)	
*	A-4377-756-A	SURR BOARD, COMPLETE (D965:AEP, G)	
*	A-4377-757-A	SURR BOARD, COMPLETE (D965:AUS)	
*	A-4377-772-A	SURR BOARD, COMPLETE (D865)	

< CAPACITOR >			
C301	1-126-163-11	ELECT 4.7uF 20% 50V	
C302	1-164-073-11	CERAMIC 100PF 10% 50V (EXCEPT AUS)	
C310	1-162-282-31	CERAMIC 100PF 10% 50V (AEP, G)	
C311-313			
	1-126-163-11	ELECT 4.7uF 20% 50V	
C314	1-162-282-31	CERAMIC 100PF 10% 50V (AEP, G)	
C315	1-162-282-31	CERAMIC 100PF 10% 50V (AEP, G)	
C316	1-164-159-11	CERAMIC 0.1uF 50V	
C317	1-162-282-31	CERAMIC 100PF 10% 50V (AEP, G)	
C318	1-162-282-31	CERAMIC 100PF 10% 50V (AEP, G)	
C351	1-126-163-11	ELECT 4.7uF 20% 50V	
C352	1-164-073-11	CERAMIC 100PF 10% 50V (EXCEPT AUS)	
C360	1-162-282-31	CERAMIC 100PF 10% 50V (AEP, G)	
C361-363			
	1-126-163-11	ELECT 4.7uF 20% 50V	
C364	1-162-282-31	CERAMIC 100PF 10% 50V (AEP, G)	
C365	1-162-282-31	CERAMIC 100PF 10% 50V (AEP, G)	
C366	1-164-159-11	CERAMIC 0.1uF 50V	
C367	1-162-282-31	CERAMIC 100PF 10% 50V (AEP, G)	
C368	1-162-282-31	CERAMIC 100PF 10% 50V (AEP, G)	
C397	1-164-073-11	CERAMIC 100PF 10% 50V	
C398	1-164-085-11	CERAMIC 0.001uF 10% 50V	
C400	1-162-282-31	CERAMIC 100PF 10% 50V	
C401	1-164-159-11	CERAMIC 0.1uF 50V	
C402	1-164-159-11	CERAMIC 0.1uF 50V	
C403	1-136-157-00	FILM 0.022uF 5% 50V	
C404	1-136-161-00	FILM 0.047uF 5% 50V (EXCEPT AUS)	
C404	1-136-160-00	FILM 0.039uF 5% 50V (AUS)	
C405	1-104-666-11	ELECT 220uF 20% 10V	

<p>The components identified by mark Δ or dotted line with mark Δ are critical for safety. Replace only with part number specified.</p>	<p>Les composants identifiés par une marque Δ sont critiques pour la sécurité. Ne les remplacer que par une pièce portant le numéro spécifié.</p>
---	---

SURR

Ref. No.	Part No.	Description	Remark	Ref. No.	Part No.	Description	Remark
C406-409				C457	1-104-666-11	ELECT 220uF 20% 50V	
	1-124-907-11	ELECT 10uF 20% 50V		C461	1-164-159-11	CERAMIC 0.1uF 50V	
C410	1-104-666-11	ELECT 220uF 20% 10V		C462	1-164-159-11	CERAMIC 0.1uF 50V	
C411	1-126-962-11	ELECT 3.3uF 20% 50V		C470	1-162-215-31	CERAMIC 47PF 5% 50V	
C412	1-126-962-11	ELECT 3.3uF 20% 50V		C472	1-126-963-11	ELECT 4.7uF 20% 50V (EXCEPT AUS)	
C413	1-136-165-00	FILM 0.1uF 5% 50V		C472	1-124-477-11	ELECT 47uF 20% 25V (AUS)	
C414	1-136-165-00	FILM 0.1uF 5% 50V		C473	1-126-963-11	ELECT 4.7uF 20% 50V (EXCEPT AUS)	
C415	1-124-902-00	ELECT 0.47uF 20% 50V		C473	1-124-477-11	ELECT 47uF 20% 25V (AUS)	
C416	1-126-963-11	ELECT 4.7uF 20% 50V		C491	1-126-962-11	ELECT 3.3uF 20% 50V	
C417	1-124-902-00	ELECT 0.47uF 20% 50V		C492	1-126-963-11	ELECT 4.7uF 20% 50V	
C418	1-126-963-11	ELECT 4.7uF 20% 50V		C493	1-164-159-11	CERAMIC 0.1uF 50V	
C419	1-124-250-11	ELECT 0.15uF 20% 50V		C494	1-126-963-11	ELECT 4.7uF 20% 50V	
C420	1-126-962-11	ELECT 3.3uF 20% 50V		C495	1-164-159-11	CERAMIC 0.1uF 50V	
C421	1-124-250-11	ELECT 0.15uF 20% 50V		C501	1-126-963-11	ELECT 4.7uF 20% 50V	
C422	1-162-282-31	CERAMIC 100PF 10% 50V		C502	1-164-073-11	CERAMIC 100PF 10% 50V	
C423	1-104-664-11	ELECT 47uF 20% 16V		C503	1-102-989-00	CERAMIC 68PF 5% 500V (EXCEPT AUS)	
C424	1-136-165-00	FILM 0.1uF 5% 50V		C503	1-164-077-11	CERAMIC 220PF 10% 50V (AUS)	
C425	1-136-165-00	FILM 0.1uF 5% 50V		C504	1-102-989-00	CERAMIC 68PF 5% 500V	
C426	1-124-902-00	ELECT 0.47uF 20% 50V		C505	1-124-443-00	ELECT 100uF 20% 10V	
C427	1-126-963-11	ELECT 4.7uF 20% 50V		C506	1-136-159-00	FILM 0.033uF 5% 50V	
C428	1-126-963-11	ELECT 4.7uF 20% 50V		C507	1-136-171-00	FILM 0.33uF 5% 50V	
C429	1-124-250-11	ELECT 0.15uF 20% 50V		C508	1-124-910-11	ELECT 47uF 20% 50V	
C430	1-124-902-00	ELECT 0.47uF 20% 50V		C509	1-136-495-11	FILM 0.068uF 5% 50V	
C431	1-126-962-11	ELECT 3.3uF 20% 50V		C510	1-136-153-00	FILM 0.01uF 5% 50V	
C432	1-124-250-11	ELECT 0.15uF 20% 50V		C511	1-130-476-00	MYLAR 0.0027uF 5% 50V	
C433	1-104-666-11	ELECT 220uF 20% 10V		C512	1-136-157-00	FILM 0.022uF 5% 50V	
C434	1-104-664-11	ELECT 47uF 20% 16V		C513	1-164-046-11	CERAMIC 10PF 0.5PF 50V	
C435	1-164-159-11	CERAMIC 0.1uF 50V		C514	1-164-046-11	CERAMIC 10PF 0.5PF 50V	
C436	1-124-925-11	ELECT 2.2uF 20% 100V		C521	1-126-963-11	ELECT 4.7uF 20% 50V	
C437	1-104-666-11	ELECT 220uF 20% 10V		C522	1-164-073-11	CERAMIC 100PF 10% 50V	
C438	1-136-165-00	FILM 0.1uF 5% 50V		C523	1-104-664-11	ELECT 47uF 20% 16V	
C439	1-124-907-11	ELECT 10uF 20% 50V		C524	1-102-989-00	CERAMIC 68PF 5% 500V	
C440	1-130-469-00	MYLAR 680PF 5% 50V		C525	1-102-989-00	CERAMIC 68PF 5% 500V	
C441	1-126-962-11	ELECT 3.3uF 20% 50V		C526	1-164-040-11	CERAMIC 4PF 0.25PF 50V	
C442	1-126-963-11	ELECT 4.7uF 20% 50V		C551	1-126-963-11	ELECT 4.7uF 20% 50V	
C443	1-164-159-11	CERAMIC 0.1uF 50V		C552	1-164-073-11	CERAMIC 100PF 10% 50V	
C444	1-126-963-11	ELECT 4.7uF 20% 50V		C553	1-102-989-00	CERAMIC 68PF 5% 500V (EXCEPT AUS)	
C445	1-164-159-11	CERAMIC 0.1uF 50V		C553	1-164-077-11	CERAMIC 220PF 10% 50V (AUS)	
C446	1-164-159-11	CERAMIC 0.1uF 50V		C554	1-102-989-00	CERAMIC 68PF 5% 500V	
C447	1-136-173-00	FILM 0.47uF 5% 50V		C555	1-124-443-00	ELECT 100uF 20% 10V	
C448	1-126-963-11	ELECT 4.7uF 20% 50V		C556	1-136-159-00	FILM 0.033uF 5% 50V	
C449	1-162-215-31	CERAMIC 47PF 5% 50V		C557	1-136-171-00	FILM 0.33uF 5% 50V	
C450	1-162-215-31	CERAMIC 47PF 5% 50V		C558	1-124-910-11	ELECT 47uF 20% 50V	
C451	1-164-159-11	CERAMIC 0.1uF 50V		C559	1-136-495-11	FILM 0.068uF 5% 50V	
C452	1-104-666-11	ELECT 220uF 20% 10V		C560	1-136-153-00	FILM 0.01uF 5% 50V	
C453	1-136-159-00	FILM 0.033uF 5% 50V		C561	1-130-476-00	MYLAR 0.0027uF 5% 50V	
C454	1-130-473-00	MYLAR 0.0015uF 5% 50V		C562	1-136-157-00	FILM 0.022uF 5% 50V	
C455	1-136-159-00	FILM 0.033uF 5% 50V		C563	1-164-046-11	CERAMIC 10PF 0.5PF 50V	
C456	1-124-903-11	ELECT 1uF 20% 50V		C564	1-164-046-11	CERAMIC 10PF 0.5PF 50V	

Ref. No.	Part No.	Description	Remark
C593	1-124-916-11	ELECT 22uF 20% 63V (D865, AEP, G, AUS)	
C593	1-124-929-11	ELECT 22uF 20% 100V (D965:US, CND)	
C594	1-124-916-11	ELECT 22uF 20% 63V (D865, AEP, G, AUS)	
C594	1-124-929-11	ELECT 22uF 20% 100V (D965:US, CND)	
C595	1-164-159-11	CERAMIC 0.1uF 50V	
C596	1-104-664-11	ELECT 47uF 20% 16V	
C597	1-104-664-11	ELECT 47uF 20% 16V	
C598	1-162-282-31	CERAMIC 100PF 10% 50V	
< CONNECTOR >			
CNJ299	1-770-832-11	CONNECTOR, BOARD TO BOARD 6P (D965)	
CNJ402	1-764-926-11	CONNECTOR, FFC (LIF (NON-ZIF)) 21P	
CNJ501	1-770-404-11	HOUSING, CONNECTOR (PC BOARD) 11P	
CNJ502	1-770-404-11	HOUSING, CONNECTOR (PC BOARD) 11P	
CNP303	1-695-090-11	PIN, CONNECTOR (PC BOARD) 13P	
CNP304	1-695-090-11	PIN, CONNECTOR (PC BOARD) 13P	
CNP404	1-695-090-11	PIN, CONNECTOR (PC BOARD) 13P	
< DIODE >			
D401	8-719-001-30	DIODE UZL-9H3	
D402	8-719-987-63	DIODE 1N4148M	
D403	8-719-024-99	DIODE 11ES2-NTA2B	
< TERMINAL BOARD >			
EB400	1-537-770-21	TERMINAL BOARD, GROUND	
EB401	1-537-770-21	TERMINAL BOARD, GROUND	
< IC >			
IC302	8-759-634-50	IC M5218AL	
IC303	8-759-634-50	IC M5218AL	
IC305	8-759-805-14	IC LC7822	
IC401	8-759-248-74	IC LA2785	
IC402	8-759-341-23	IC LV1011	
IC403	8-759-634-51	IC M5218AP	
IC406	8-759-634-51	IC M5218AP	
IC501	8-749-920-70	IC STK-3102-MK3	
IC502	8-759-072-32	IC TC9184P	
IC503	8-749-011-16	IC STK350-230	
< JACK >			
J301	1-691-887-11	JACK, PIN 6P (PHONO IN, CD IN, DAT/MD IN)	
J302	1-580-825-11	JACK, PIN 6P (TAPE IN/REC OUT, DAT/MD REC OUT)	

Ref. No.	Part No.	Description	Remark
< COIL >			
L401	1-410-509-11	INDUCTOR 10uH	
L402	1-410-509-11	INDUCTOR 10uH	
< TRANSISTOR >			
Q301	8-729-141-30	TRANSISTOR 2SC3623A-LK	
Q302	8-729-141-30	TRANSISTOR 2SC3623A-LK	
Q401	8-729-141-30	TRANSISTOR 2SC3623A-LK	
Q402	8-729-141-30	TRANSISTOR 2SC3623A-LK	
Q403	8-729-140-96	TRANSISTOR 2SD774-34	
Q404-407			
	8-729-141-30	TRANSISTOR 2SC3623A-LK	
Q408	8-729-900-63	TRANSISTOR DTA124ES	
Q409-411			
	8-729-900-63	TRANSISTOR DTA124ES	
Q501	8-729-141-30	TRANSISTOR 2SC3623A-LK	
Q502	8-729-202-67	TRANSISTOR 2SK246-GR3	
Q551			
	8-729-141-30	TRANSISTOR 2SC3623A-LK	
Q552	8-729-202-67	TRANSISTOR 2SK246-GR3	
< RESISTOR >			
R300	1-249-418-11	CARBON 1.2K 5% 1/4W (AEP, G)	
R301	1-249-409-11	CARBON 220 5% 1/4W	
R302	1-249-441-11	CARBON 100K 5% 1/4W (EXCEPT AUS)	
R310	1-249-421-11	CARBON 2.2K 5% 1/4W	
R311-314			
	1-249-417-11	CARBON 1K 5% 1/4W	
R315	1-249-441-11	CARBON 100K 5% 1/4W	
R316	1-249-437-11	CARBON 47K 5% 1/4W	
R317	1-249-437-11	CARBON 47K 5% 1/4W	
R318	1-249-441-11	CARBON 100K 5% 1/4W	
R319	1-249-417-11	CARBON 1K 5% 1/4W	
R320			
	1-249-425-11	CARBON 4.7K 5% 1/4W	
R321	1-249-429-11	CARBON 10K 5% 1/4W	
R350	1-249-418-11	CARBON 1.2K 5% 1/4W (AEP, G)	
R351	1-249-409-11	CARBON 220 5% 1/4W	
R352	1-249-441-11	CARBON 100K 5% 1/4W (EXCEPT AUS)	
R360			
	1-249-421-11	CARBON 2.2K 5% 1/4W	
R361-364			
	1-249-417-11	CARBON 1K 5% 1/4W	
R365	1-249-441-11	CARBON 100K 5% 1/4W (EXCEPT AUS)	
R365	1-249-437-11	CARBON 47K 5% 1/4W (AUS)	
R366	1-249-437-11	CARBON 47K 5% 1/4W	
R367			
	1-249-437-11	CARBON 47K 5% 1/4W	
R368	1-249-441-11	CARBON 100K 5% 1/4W (EXCEPT AUS)	
R368	1-249-437-11	CARBON 47K 5% 1/4W (AUS)	
R369	1-249-417-11	CARBON 1K 5% 1/4W	
R370	1-249-425-11	CARBON 4.7K 5% 1/4W	

SURR

Ref. No.	Part No.	Description	Remark	Ref. No.	Part No.	Description	Remark
R371	1-249-429-11	CARBON 10K 5% 1/4W		R505	1-249-433-11	CARBON 22K 5% 1/4W	
R397	1-249-417-11	CARBON 1K 5% 1/4W		R506	1-249-413-11	CARBON 470 5% 1/4W	
R398	1-249-425-11	CARBON 4.7K 5% 1/4W		R507	1-249-427-11	CARBON 6.8K 5% 1/4W	
R401	1-249-417-11	CARBON 1K 5% 1/4W		R508	1-247-883-00	CARBON 150K 5% 1/4W	
R402	1-249-417-11	CARBON 1K 5% 1/4W		R509	1-249-423-11	CARBON 3.3K 5% 1/4W	
R403	1-247-807-31	CARBON 100 5% 1/4W		R510	1-247-903-00	CARBON 1M 5% 1/4W	
R404	1-247-807-31	CARBON 100 5% 1/4W		R511	1-249-441-11	CARBON 100K 5% 1/4W	
R405	1-249-425-11	CARBON 4.7K 5% 1/4W		R512	1-249-426-11	CARBON 5.6K 5% 1/4W	
R406	1-249-425-11	CARBON 4.7K 5% 1/4W		R513	1-249-441-11	CARBON 100K 5% 1/4W	
R407	1-249-417-11	CARBON 1K 5% 1/4W		R515	1-249-434-11	CARBON 27K 5% 1/4W	
R408	1-249-431-11	CARBON 15K 5% 1/4W		R516	1-249-426-11	CARBON 5.6K 5% 1/4W	
R409	1-249-407-11	CARBON 150 5% 1/4W		R517	1-249-418-11	CARBON 1.2K 5% 1/4W	
R410	1-249-436-11	CARBON 39K 5% 1/4W		R518	1-249-415-11	CARBON 680 5% 1/4W	
R411	1-249-439-11	CARBON 68K 5% 1/4W		R519	1-249-431-11	CARBON 15K 5% 1/4W	
R412	1-247-903-00	CARBON 1M 5% 1/4W		R521	1-249-417-11	CARBON 1K 5% 1/4W	
R413	1-249-441-11	CARBON 100K 5% 1/4W		R523	1-249-438-11	CARBON 56K 5% 1/4W	
R414	1-249-429-11	CARBON 10K 5% 1/4W		R524	1-249-413-11	CARBON 470 5% 1/4W	
R415	1-249-433-11	CARBON 22K 5% 1/4W		R525	1-249-412-11	CARBON 390 5% 1/4W	
R416	1-249-413-11	CARBON 470 5% 1/4W		R526	1-249-438-11	CARBON 56K 5% 1/4W	
R417	1-249-425-11	CARBON 4.7K 5% 1/4W		R551	1-249-417-11	CARBON 1K 5% 1/4W	
R418	1-249-413-11	CARBON 470 5% 1/4W		R552	1-249-441-11	CARBON 100K 5% 1/4W	
R419	1-249-425-11	CARBON 4.7K 5% 1/4W		R553	1-249-413-11	CARBON 470 5% 1/4W	
R430	1-249-441-11	CARBON 100K 5% 1/4W		R554	1-249-440-11	CARBON 82K 5% 1/4W	
R431	1-249-437-11	CARBON 47K 5% 1/4W		R555	1-249-433-11	CARBON 22K 5% 1/4W	
R432	1-249-441-11	CARBON 100K 5% 1/4W		R556	1-249-413-11	CARBON 470 5% 1/4W	
R433	1-249-437-11	CARBON 47K 5% 1/4W		R557	1-249-427-11	CARBON 6.8K 5% 1/4W	
R434	1-249-441-11	CARBON 100K 5% 1/4W		R558	1-247-883-00	CARBON 150K 5% 1/4W	
R435	1-249-437-11	CARBON 47K 5% 1/4W		R559	1-249-423-11	CARBON 3.3K 5% 1/4W	
R436	1-249-437-11	CARBON 47K 5% 1/4W		R560	1-247-903-00	CARBON 1M 5% 1/4W	
R437	1-249-416-11	CARBON 820 5% 1/4W		R561	1-249-441-11	CARBON 100K 5% 1/4W	
R438	1-249-429-11	CARBON 10K 5% 1/4W		R562	1-249-426-11	CARBON 5.6K 5% 1/4W	
R440	1-249-429-11	CARBON 10K 5% 1/4W		R563	1-249-441-11	CARBON 100K 5% 1/4W	
R441	1-249-429-11	CARBON 10K 5% 1/4W		R565	1-249-434-11	CARBON 27K 5% 1/4W	
R442	1-249-435-11	CARBON 33K 5% 1/4W		R566	1-249-426-11	CARBON 5.6K 5% 1/4W	
R443	1-249-433-11	CARBON 22K 5% 1/4W		R567	1-249-418-11	CARBON 1.2K 5% 1/4W	
R444	1-249-433-11	CARBON 22K 5% 1/4W		R568	1-249-415-11	CARBON 680 5% 1/4W	
R445	1-249-429-11	CARBON 10K 5% 1/4W		R569	1-249-431-11	CARBON 15K 5% 1/4W	
R446	1-249-417-11	CARBON 1K 5% 1/4W		△R592	1-249-397-11	CARBON 22 5% 1/4W F	
R463	1-249-441-11	CARBON 100K 5% 1/4W		△R593	1-249-397-11	CARBON 22 5% 1/4W F	
R464	1-249-429-11	CARBON 10K 5% 1/4W		R594	1-247-903-00	CARBON 1M 5% 1/4W	
R465	1-249-429-11	CARBON 10K 5% 1/4W		R595	1-249-425-11	CARBON 4.7K 5% 1/4W	
R466	1-249-413-11	CARBON 470 5% 1/4W		R596	1-249-419-11	CARBON 1.5K 5% 1/4W	
R467	1-249-425-11	CARBON 4.7K 5% 1/4W		R597	1-249-419-11	CARBON 1.5K 5% 1/4W	
R468	1-249-413-11	CARBON 470 5% 1/4W		R598	1-249-425-11	CARBON 4.7K 5% 1/4W	
R469	1-249-425-11	CARBON 4.7K 5% 1/4W		R599	1-249-417-11	CARBON 1K 5% 1/4W	
R501	1-249-417-11	CARBON 1K 5% 1/4W		< TERMINAL >			
R502	1-249-441-11	CARBON 100K 5% 1/4W		TM401	1-537-734-11	TERMINAL BOARD, ANT (ANTENNA) (US, CND)	
R503	1-249-413-11	CARBON 470 5% 1/4W		TM401	1-537-714-11	TERMINAL BOARD (ANTENNA) (AEP, G, AUS)	
R504	1-249-440-11	CARBON 82K 5% 1/4W					

<p>The components identified by mark Δ or dotted line with mark Δ are critical for safety. Replace only with part number specified.</p>	<p>Les composants identifiés par une marque Δ sont critiques pour la sécurité. Ne les remplacer que par une pièce portant le numéro spécifié.</p>
---	---

SURR**VIDEO 3****VIDEO-A****VIDEO-B****VOL**

Ref. No.	Part No.	Description	Remark
		< TUNER UNIT >	
TU401	1-693-286-11	TUNER (FCC) (US, CND)	
TU401	1-693-287-11	TUNER (AEP, G, AUS)	
		< VIBRATOR >	
X401	1-579-952-21	VIBRATOR, CERAMIC (8MHz)	

*	1-656-157-11	VIDEO 3 BOARD (D965)	

		< CAPACITOR >	
C299	1-164-159-11	CERAMIC 0.1uF	50V (D965)
		< CONNECTOR >	
CNP299	1-770-831-11	CONNECTOR, BOARD TO BOARD 6P (D965)	
		< JACK >	
J299	1-770-340-11	JACK BLOCK, PIN (L TYPE) 3P (VIDEO 3)	(D965)
		< RESISTOR >	
R299	1-249-403-11	CARBON 68 5% 1/4W (D965)	

*	1-656-154-11	VIDEO-A BOARD	

		< CAPACITOR >	
C201-204			
	1-124-903-11	ELECT 1uF	20% 50V
C205-207			
	1-124-907-11	ELECT 10uF	20% 50V
C209	1-104-665-11	ELECT 100uF	20% 16V
C211	1-104-665-11	ELECT 100uF	20% 16V
C212-215			
	1-164-159-11	CERAMIC 0.1uF	50V
		< IC >	
IC201	8-759-061-95	IC SN761200	
		< JACK >	
J201	1-695-317-21	JACK, PIN 2P (LD, MONITOR)	
J202	1-766-199-11	JACK, PIN 3P (VIDEO 2, TV)	
J203	1-695-317-21	JACK, PIN 2P (VIDEO 1)	
		< COIL >	
L201	1-410-521-11	INDUCTOR 100uH	

Ref. No.	Part No.	Description	Remark
L202	1-410-521-11	INDUCTOR 100uH	
		< TRANSISTOR >	
Q201	8-729-119-76	TRANSISTOR 2SA1175-HFE	
Q202	8-729-119-76	TRANSISTOR 2SA1175-HFE	
Q203-205			
	8-729-620-05	TRANSISTOR 2SC2603-EF	
Q206	8-729-119-76	TRANSISTOR 2SA1175-HFE	
Q207	8-729-620-05	TRANSISTOR 2SC2603-EF	
		< RESISTOR >	
R201-206			
	1-249-403-11	CARBON 68 5% 1/4W	
R207	1-249-430-11	CARBON 12K 5% 1/4W	
R208	1-249-419-11	CARBON 1.5K 5% 1/4W	
R209	1-249-426-11	CARBON 5.6K 5% 1/4W	
R210	1-249-403-11	CARBON 68 5% 1/4W	
R211	1-249-403-11	CARBON 68 5% 1/4W	
R212	1-249-430-11	CARBON 12K 5% 1/4W	
R213	1-249-419-11	CARBON 1.5K 5% 1/4W	
R214	1-249-426-11	CARBON 5.6K 5% 1/4W	
R215	1-249-403-11	CARBON 68 5% 1/4W	
R216	1-249-403-11	CARBON 68 5% 1/4W	
R217	1-249-426-11	CARBON 5.6K 5% 1/4W	
R218	1-249-419-11	CARBON 1.5K 5% 1/4W	
R219	1-249-430-11	CARBON 12K 5% 1/4W	
R220	1-247-807-31	CARBON 100 5% 1/4W	
R250	1-249-417-11	CARBON 1K 5% 1/4W	
R251	1-249-429-11	CARBON 10K 5% 1/4W	

*	1-656-155-11	VIDEO-B BOARD	

		< CONNECTOR >	
CNJ301	1-695-092-11	SOCKET, CONNECTOR 7P	

*	1-656-152-11	VOL BOARD	

		< CONNECTOR >	
CNJ405	1-695-095-11	SOCKET, CONNECTOR 13P	
CNP108	1-770-389-11	PIN, CONNECTOR (PC BOARD) 5P	
CNP406	1-770-390-11	PIN, CONNECTOR (PC BOARD) 6P	
		< VARIABLE RESISTOR >	
RV401	1-241-816-11	RES, VAR, CARBON 100KX4 (MASTER VOLUME)	



Ref. No.	Part No.	Description	Remark
*	1-656-170-11	VS BOARD ***** < CONNECTOR >	
	CNJ404 1-695-095-11	SOCKET, CONNECTOR 13P	
	CNP405 1-695-090-11	PIN, CONNECTOR (PC BOARD) 13P	

		MISCELLANEOUS *****	
	10 1-773-718-11	WIRE (FLAT TYPE) (21 CORE)	
	15 1-773-709-11	WIRE (FLAT TYPE) (21 CORE)	
△66	1-696-847-11	CORD, POWER (AUS)	
△66	1-769-743-11	CORD, POWER (US, CND)	
△66	1-769-744-11	CORD, POWER (AEP, G)	
△CNJ906	1-251-078-11	OUTLET, AC (AUS)	
△CNJ906	1-526-794-11	OUTLET, AC (AEP, G)	
△F801	1-532-506-51	FUSE (T6. 3AL 250V) (AEP, G, AUS)	
△F801	1-532-748-11	FUSE, GLASS TUBE6. 3A 125V (US, CND)	
△F802	1-532-506-51	FUSE (T6. 3AL 250V) (AEP, G, AUS)	
△F802	1-532-748-11	FUSE, GLASS TUBE6. 3A 125V (US, CND)	
△F803	1-532-237-00	FUSE, TIME LAG (T3. 15AL 250V) (D965:AEP, G, AUS)	
△F803	1-533-419-11	FUSE, GLASS CYLINDRICAL (DIA. 5) (4A 125V) (D965:US, CND)	
△F803	1-576-107-11	FUSE (3. 15A 125V) (D865)	
△F804	1-532-237-00	FUSE, TIME LAG (T3. 15AL 250V) (D965:AEP, G, AUS)	
△F804	1-533-419-11	FUSE, GLASS CYLINDRICAL (DIA. 5) (4A 125V) (D965:US, CND)	
△F804	1-576-107-11	FUSE (3. 15A 125V) (D865)	
△F901	1-532-237-00	FUSE, TIME LAG (T3. 15AL 250V) (D965:AEP, G, AUS)	
△F901	1-532-748-11	FUSE, GLASS TUBE6. 3A 125V (D865)	
△F901	1-532-749-11	FUSE, GLASS CYLINDRICAL (DIA. 5) (8A 125V) (D965:US, CND)	
△F902	1-532-286-00	FUSE (T2. 5AL 250V) (D965:AEP, G, AUS)	
△T901	1-427-726-12	TRANSFORMER, POWER (D965:US)	
△T901	1-427-727-11	TRANSFORMER, POWER (D965:CND)	
△T901	1-427-728-11	TRANSFORMER, POWER (D965:AEP, G, AUS)	
△T901	1-427-729-12	TRANSFORMER, POWER (D865:US)	
△T901	1-427-730-12	TRANSFORMER, POWER (D865:CND)	

ACCESSORIES & PACKING MATERIALS

1-473-068-11	COMMANDER, STANDARD (RM-P351) (D865:CND, D965)
1-473-070-11	COMMANDER, STANDARD (RM-U251) (D865:US)

Ref. No.	Part No.	Description	Remark
	1-501-374-11	ANTENNA, LOOP	
	1-501-594-11	ANTENNA (FM) (AEP, G, AUS)	
	3-798-892-11	MANUAL, INSTRUCTION (ENGLISH, FRENCH, GERMAN, DUTCH) (AEP)	
	3-798-892-21	MANUAL, INSTRUCTION (ENGLISH) (US, CND)	
	3-798-892-31	MANUAL, INSTRUCTION (FRENCH) (CND)	
	3-798-892-41	MANUAL, INSTRUCTION (SPANISH, SWEDISH, DANISH, FINNISH, POLISH) (AEP)	
	3-798-892-51	MANUAL, INSTRUCTION (GERMAN) (G)	
	3-798-892-61	MANUAL, INSTRUCTION (ENGLISH) (AUS)	
	4-925-079-11	COVER (6), BATTERY (FOR REMOTE COMMANDER)	
*	4-952-676-01	CUSHION	
*	4-975-572-01	INDIVIDUAL CARTON (D965:US, CND, AUS)	
*	4-975-573-01	INDIVIDUAL CARTON (AEP, G)	
*	4-975-574-01	INDIVIDUAL CARTON (D865)	

HARDWARE LIST

#1	7-682-548-09	SCREW +BVTT 3×8 (S)
#2	7-682-548-04	SCREW +BVTT 3×8 (S)
#3	7-685-646-79	SCREW +BVTP 3×8 TYPE2 IT-3

The components identified by mark Δ or dotted line with mark Δ are critical for safety. Replace only with part number specified.

Les composants identifiés par une marque Δ sont critiques pour la sécurité. Ne les remplacer que par une pièce portant le numéro spécifié.

STR-D865/D965

SONY® SERVICE MANUAL

*US Model
Canadian Model
STR-D865/D965*

*AEP Model
Australian Model
Malaysia Model
Singapore Model
STR-D965*

SUPPLEMENT-1

File this Supplement with the Service Manual.

Subject :

- **DIAGRAM**
- **EXPLODED VIEWS**
- **ELECTRICAL PARTS LIST**

(ECN-TA503224)

Printed wiring boards and schematic diagram of new type, and changed parts list are described in this Supplement-1.

Refer to original service manual previously issued for the other information.

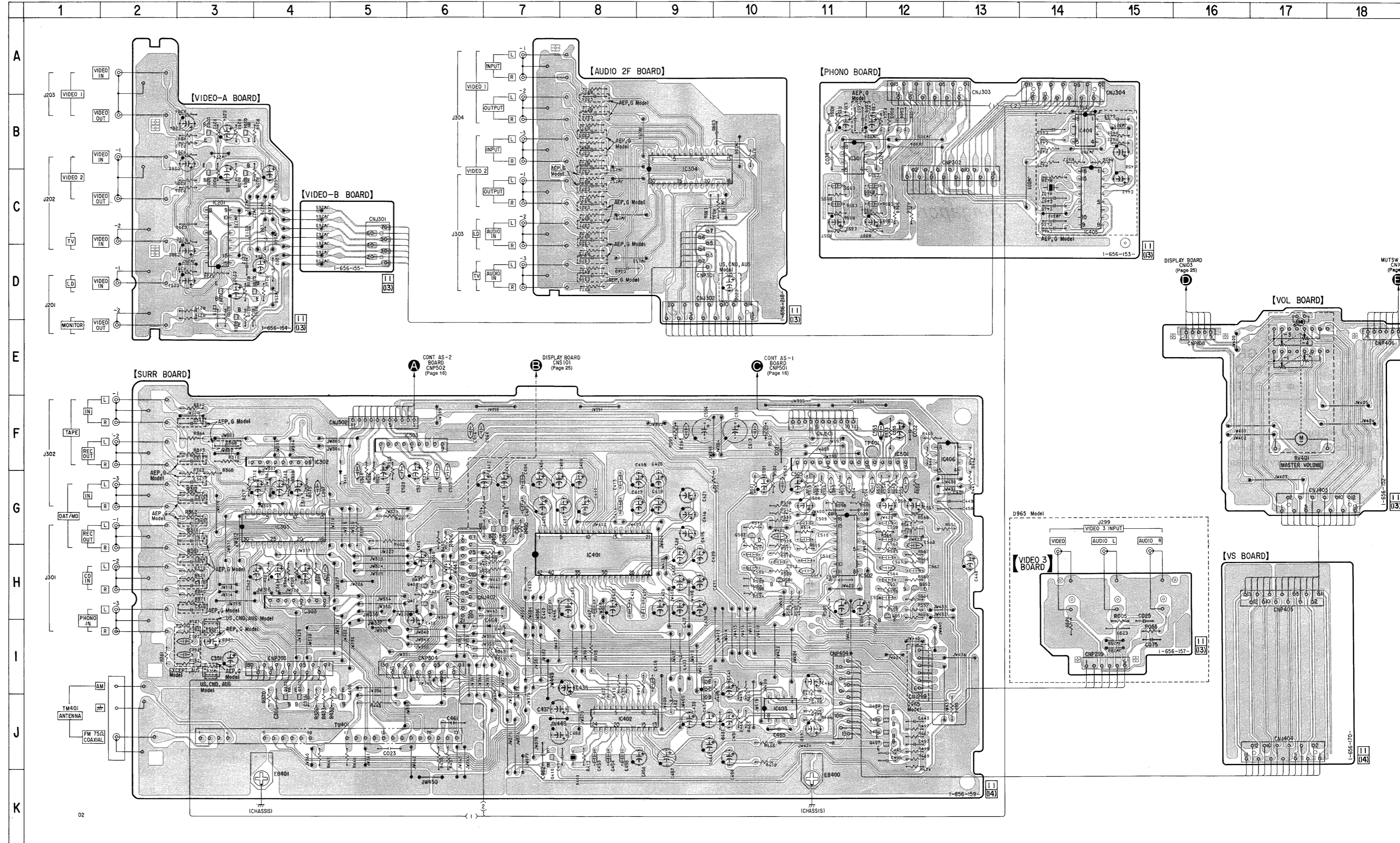
● PRINTED WIRING BOARDS (SURROUND SECTION)

● SEMICONDUCTOR LOCATION

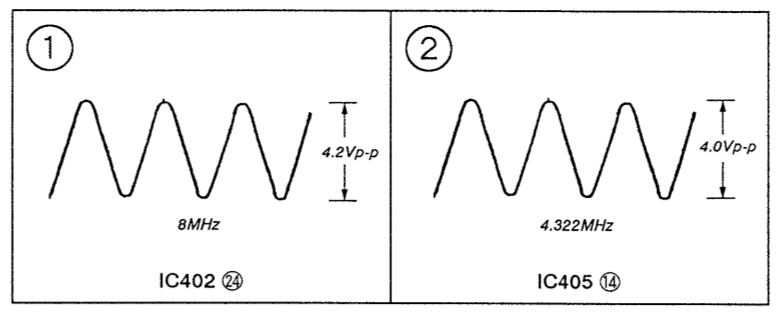
Ref. No.	Location
D401	J-10
D402	I-7
D403	G-5
IC201	C-3
IC301	B-11
IC302	F-4
IC303	H-4
IC304	C-9
IC305	G-4
IC401	H-8
IC402	J-8
IC403	J-10
IC404	B-14
IC405	C-14
IC406	F-13
IC501	F-11
IC502	G-11
IC503	F-6
Q201	C-3
Q202	B-3
Q203	C-3
Q204	B-3
Q205	D-4
Q206	D-3
Q207	D-3
Q301	J-4
Q302	J-4
Q401	G-7
Q402	G-7
Q403	I-9
Q404	J-12
Q405	J-12
Q406	J-12
Q407	J-12
Q408	H-6
Q409	J-5
Q410	J-7
Q411	H-6
Q501	H-9
Q502	G-9
Q551	H-12
Q552	H-12

Note:

- : parts extracted from the component side.
- ▨ : Pattern on the side which is seen.
- Abbreviation
 CND : Canadian
 G : German
 AUS : Australian
 * Malaysia and Singapore model is the same as the AEP model.



• WAVEFORMS



Note :

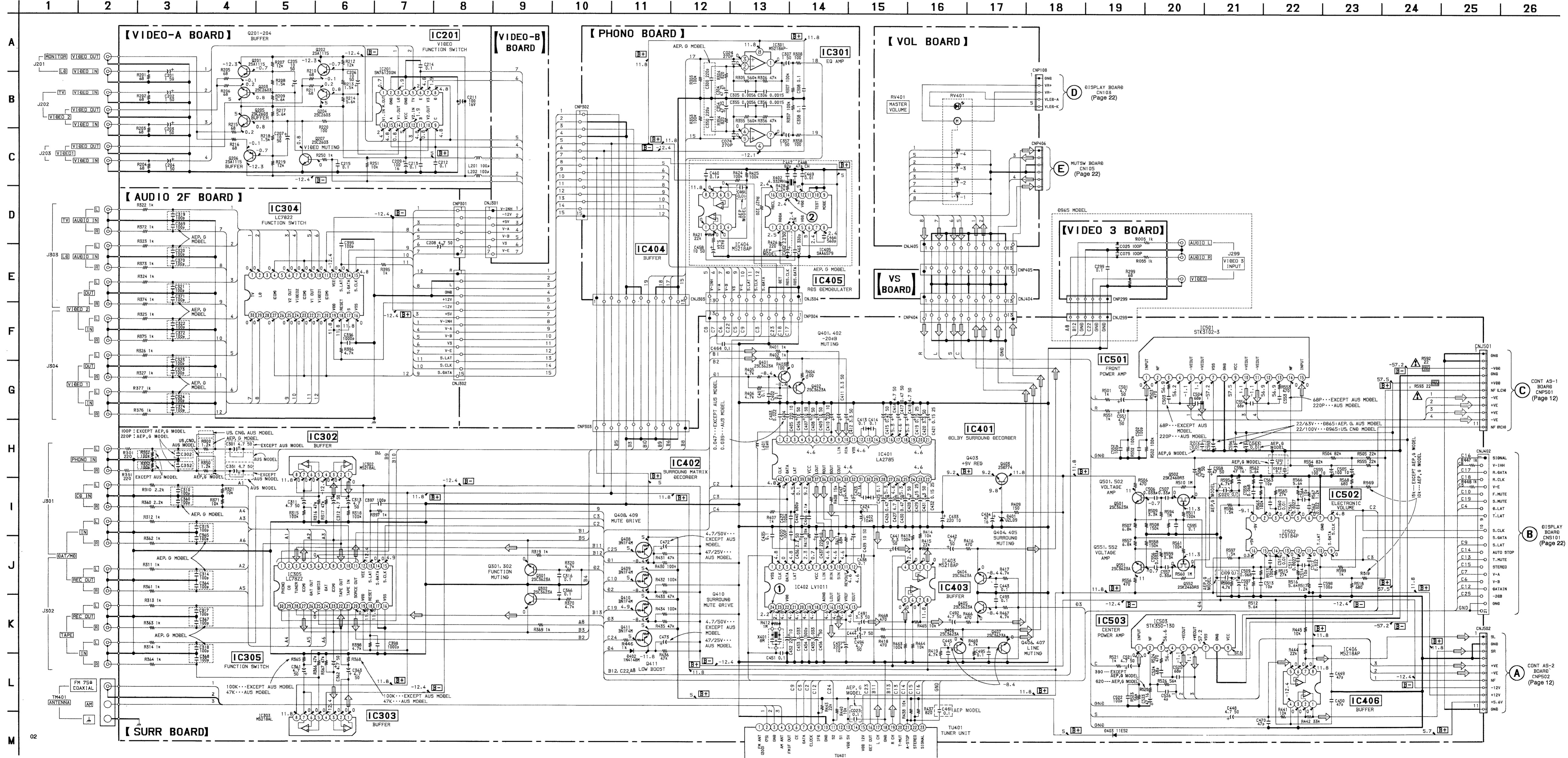
- All capacitors are in μF unless otherwise noted. μF : μF , μF 50WV or less are not indicated except for electrolytics and tantalums.
 - All resistors are in Ω and $\frac{1}{2}W$ or less unless otherwise specified.
 - Δ : internal component.
 - \square : nonflammable resistor.
- Note:
The components identified by mark Δ or \square or \square are critical for safety. Replace only with part number specified.
- Note:
Les composants identifiés par une marque Δ sont critiques pour la sécurité. Ne les remplacer que par une pièce portant le numéro spécifié.

- \square : B+ Line
- \square : B- Line
- Voltage and waveforms are dc with respect to ground under no-signal (detuned) conditions.
- Waveforms are taken with a VOM (Input impedance 10M Ω). Voltage variations may be noted due to normal production tolerances.
- Waveforms are taken with an oscilloscope. Voltage variations may be noted due to normal production tolerances.
- Waveforms refer to waveforms.
- Signal path.
- FM

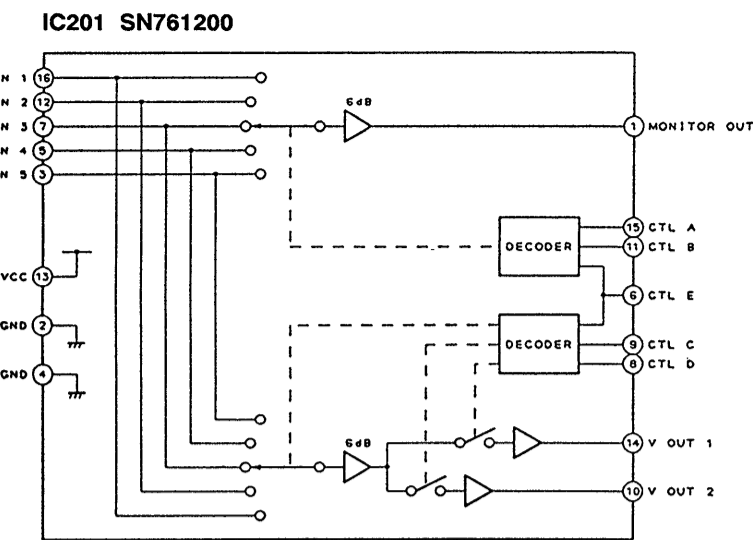
- Abbreviation
- CND : Canadian
- G : German
- AUS : Australian
- * Malaysia and Singapore model is the same as the AEP model.

• SCHEMATIC DIAGRAM (SURROUND SECTION)

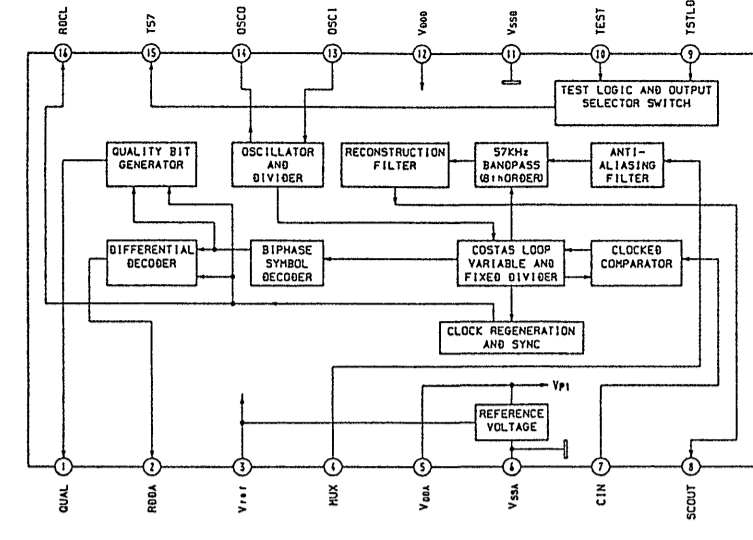
• Refer to page 11 for IC Block Diagrams.



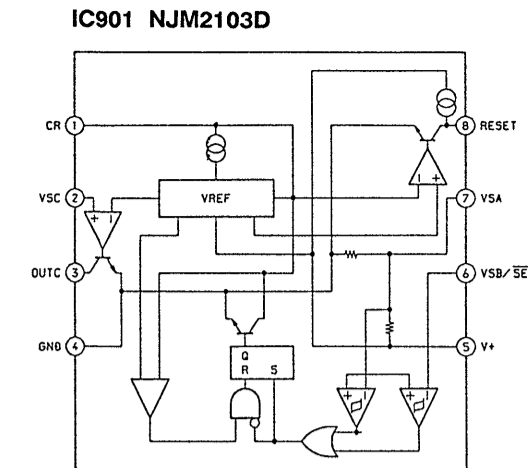
• IC BLOCK DIAGRAM – SURROUND SECTION –



IC405 SAA6579

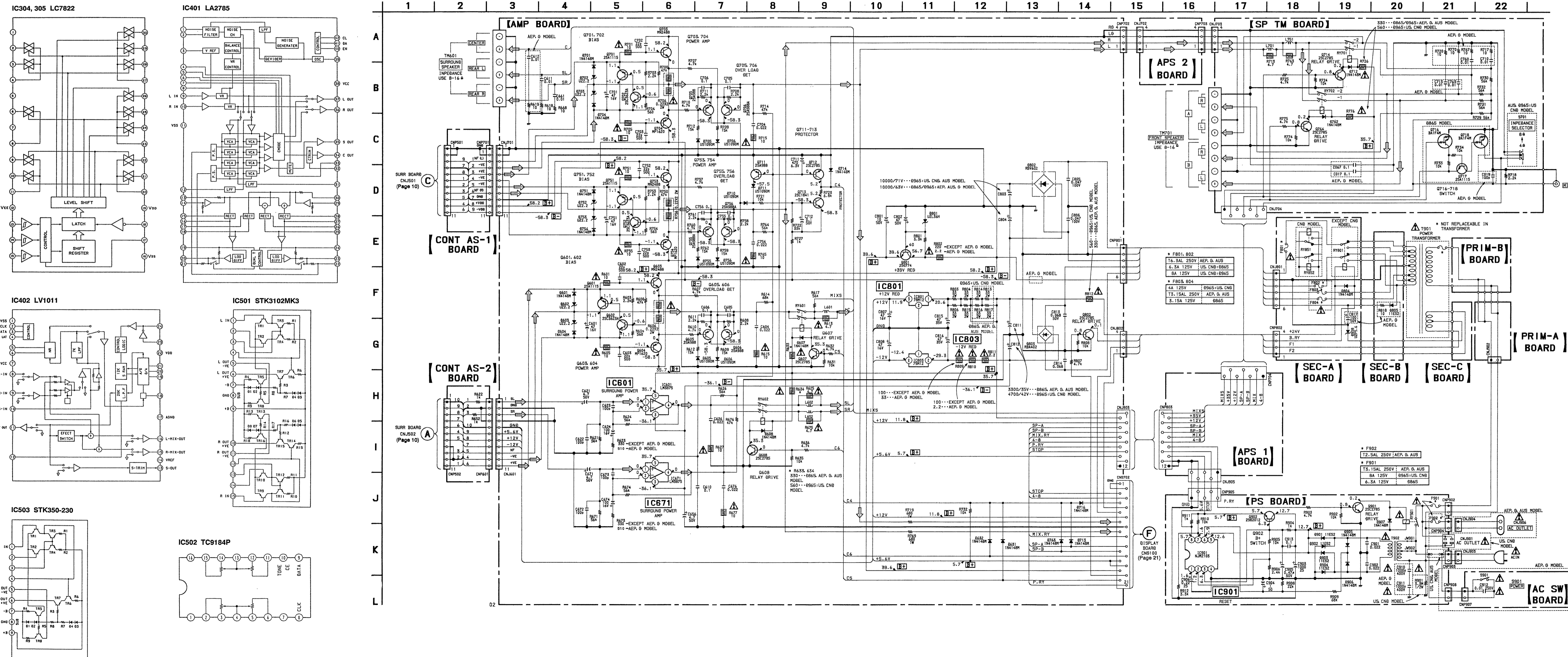


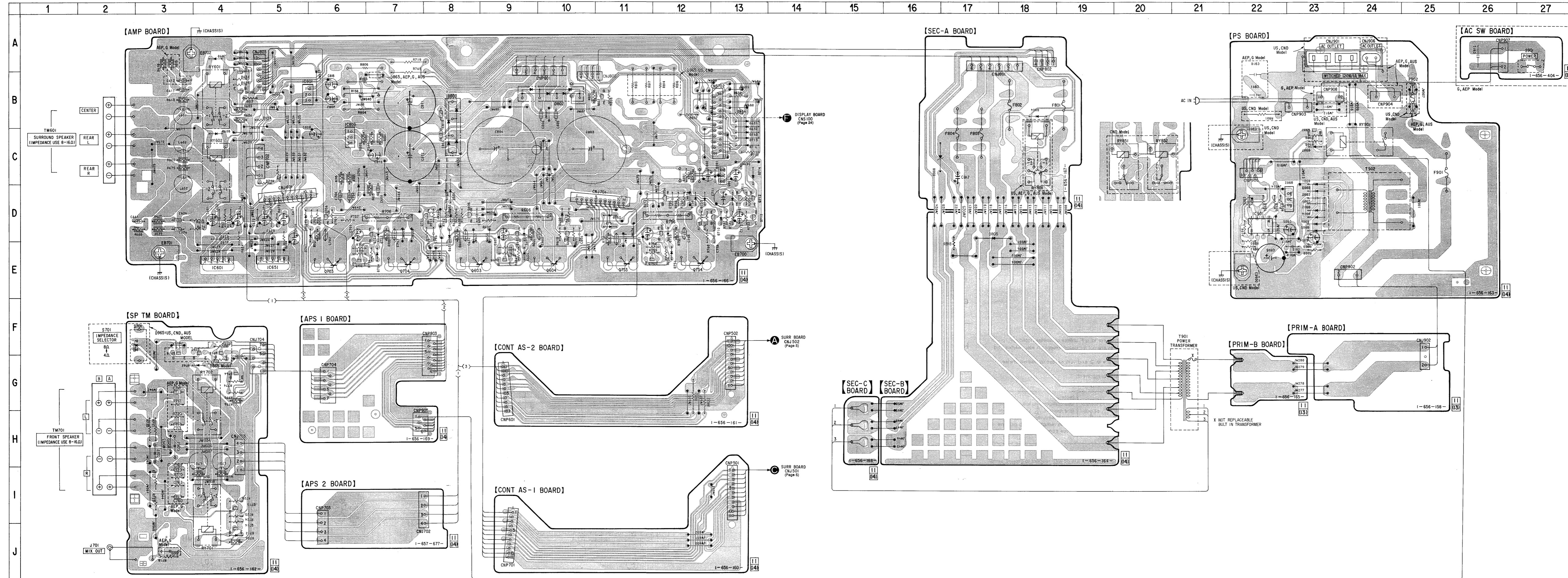
• IC BLOCK DIAGRAM – AMP SECTION –



Note: All capacitors are in uF unless otherwise noted... Signal path... FM... Abbreviation... CND: Canadian... G: German... AUS: Australian... * Malaysia and Singapore model is the same as the AEP model.

• SCHEMATIC DIAGRAM (AMP SECTION)





• SEMICONDUCTOR LOCATION

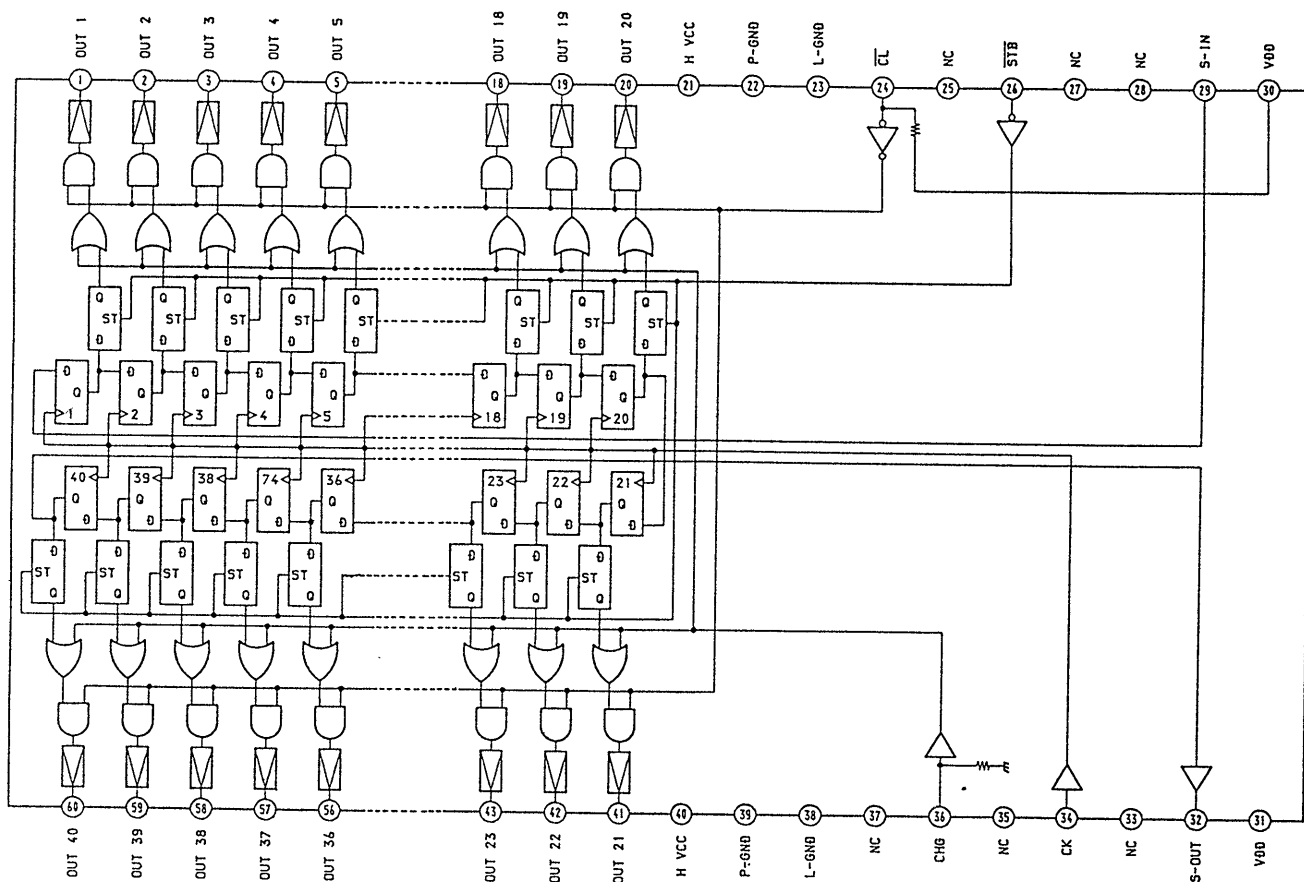
Ref. No.	Location	Ref. No.	Location
D801	D-8	IC801	E-4
D802	D-8	IC651	E-5
D803	D-9	IC801	B-5
D804	E-9	IC803	C-6
D805	D-10	IC901	D-22
D806	D-8	Q601	D-9
D807	A-4	Q602	E-9
D808	C-4	Q603	E-8
D831	B-13	Q604	E-10
D832	B-13	Q605	D-10
D701	D-6	Q606	D-8
D702	D-5	Q607	B-4
D703	D-7	Q608	B-4
D704	E-7	Q701	D-7
D705	D-8	Q702	E-6
D706	D-6	Q703	E-6
D710	D-13	Q704	E-7
D711	D-13	Q705	D-8
D712	J-4	Q706	D-6
D713	C-13	Q711	D-13
D714	C-13	Q712	D-13
D715	I-13	Q713	D-13
D716	C-13	Q714	J-4
D752	D-11	Q715	I-4
		Q716	F-4
D753	D-12	Q717	F-4
D754	E-12	Q718	F-3
D755	D-12	Q751	D-12
D756	D-12	Q752	E-11
D762	G-4	Q753	E-11
D763	C-13	Q754	E-12
D801	C-13	Q755	D-13
D802	B-10	Q756	D-12
D803	B-8	Q764	G-4
D804	B-18	Q801	C-13
D805	E-17	Q802	B-11
D901	D-23	Q901	C-23
D902	D-23	Q902	D-23
D903	D-23		
D904	D-23		
D905	D-23		
D906	D-23		
D907	C-23		
D908	C-16		

Note:

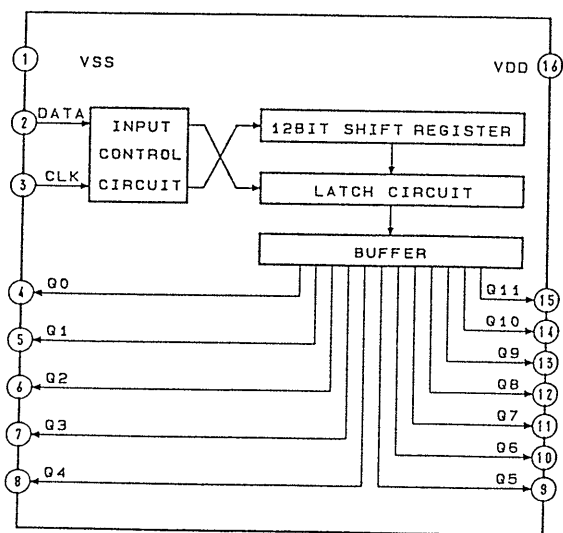
- : parts extracted from the component side.
- ▨ : Pattern on the side which is seen.
- Abbreviation
 CND : Canadian
 G : German
 AUS : Australian
 * Malaysia and Singapore model is the same as the AEP model.

• IC BLOCK DIAGRAM – DISPLAY SECTION –

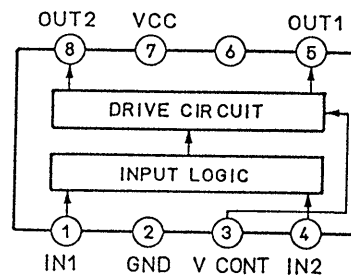
IC100, 105 TD62C950RF



IC101 M50253P



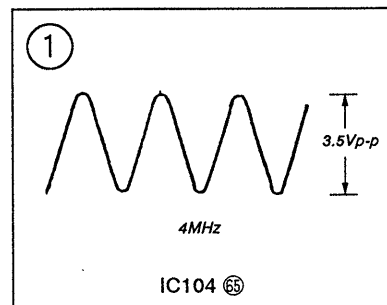
IC103 LB1639



● SCHEMATIC DIAGRAM (DISPLAY SECTION)

1 2 3 4 5 6 7 8 9 10 11 12 13 14 15 16 17 18 19 20 21

● WAVEFORM



Note :

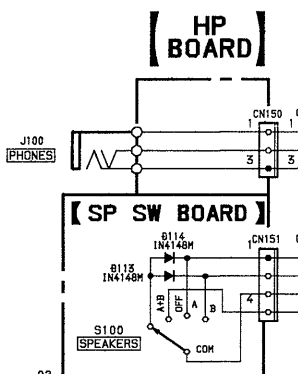
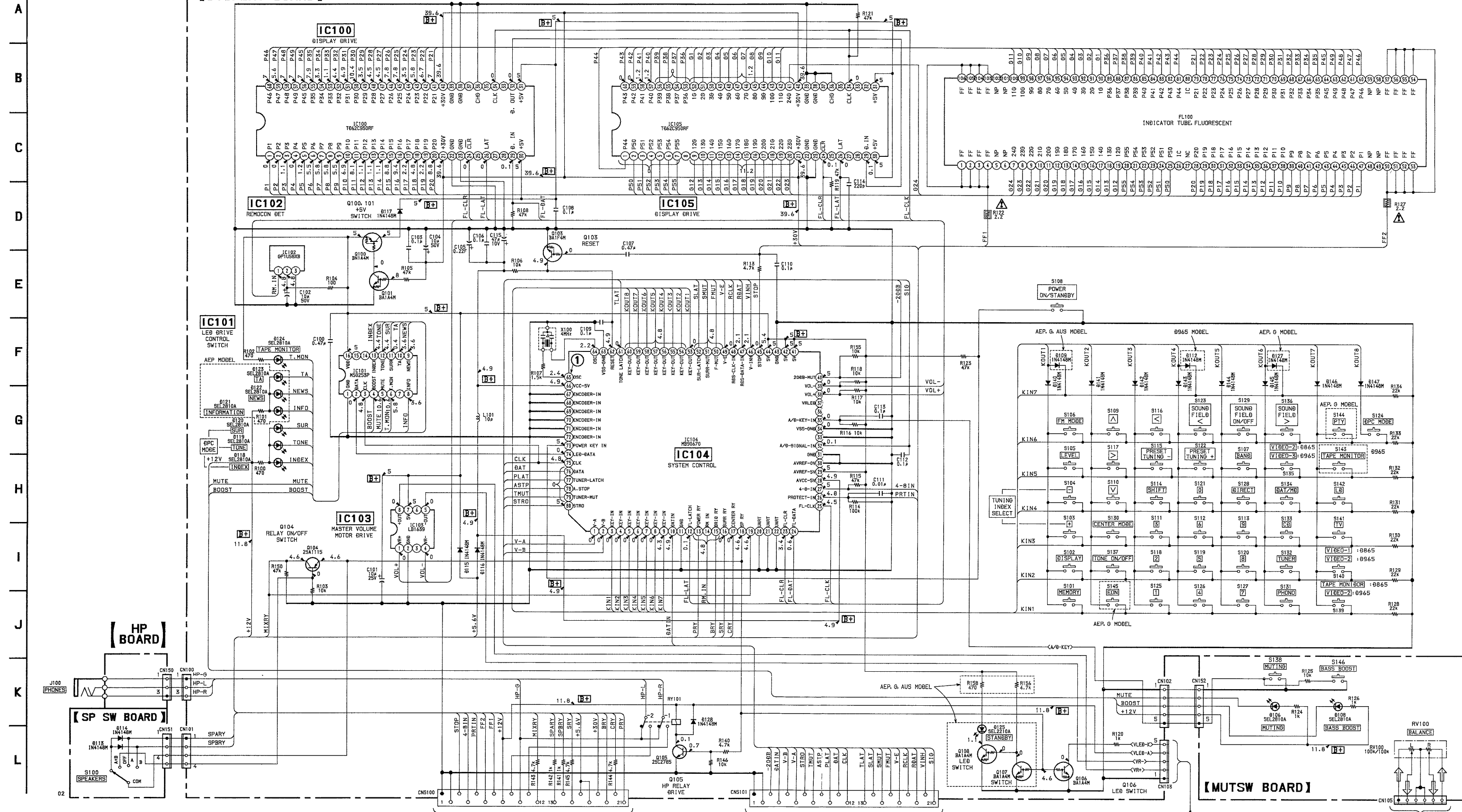
- All capacitors are in μF unless otherwise noted. pF: $\mu \mu F$ 50WV or less are not indicated except for electrolytics and tantalums.
- All resistors are in Ω and $\frac{1}{4}W$ or less unless otherwise specified.
- Δ : internal component.
- \square : nonflammable resistor.

Note :
The components identified by mark Δ or dotted line with mark Δ are critical for safety. Replace only with part number specified.

Note :
Les composants identifiés par une marque Δ sont critiques pour la sécurité. Ne les remplacer que par une pièce portant le numéro spécifié.

- [B+] : B+ Line
- Voltage and waveforms are dc with respect to ground under no-signal (detuned) conditions.
- Voltages are taken with a VOM (Input impedance 10M Ω). Voltage variations may be noted due to normal production tolerances.
- Waveforms are taken with an oscilloscope. Voltage variations may be noted due to normal production tolerances.
- Circled numbers refer to waveforms.
- Abbreviation
CND : Canadian
G : German
AUS : Australian
* Malaysia and Singapore model is the same as the AEP model.

[DISPLAY BOARD]



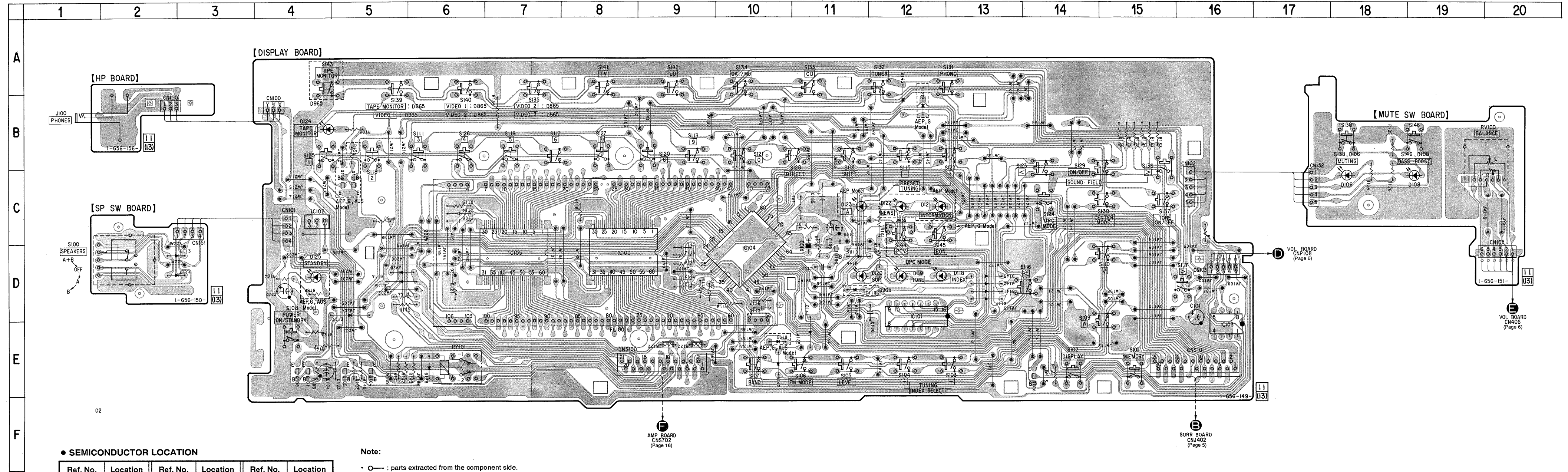
AMP BOARD
CNS702
(Page 13)

SURR BOARD
CNS402
(Page 10)

VOL BOARD
CNS105
(Page 9)

VOL BOARD
CNS106
(Page 9)

● PRINTED WIRING BOARDS (DISPLAY SECTION)



● SEMICONDUCTOR LOCATION

Ref. No.	Location	Ref. No.	Location	Ref. No.	Location
D106	C - 18	D125	D - 4	IC104	D - 10
D108	C - 19	D127	B - 12	IC105	D - 7
D109	E - 10	D128	E - 6		
D112	D - 11	D140	E - 10	Q100	E - 4
D113	D - 2	D141	D - 13	Q101	E - 4
				Q103	D - 11
D114	D - 2	D142	D - 13	Q104	E - 5
D115	D - 5	D143	D - 13		
D116	D - 5	D144	E - 11	Q105	E - 5
D117	D - 5	D145	D - 12	Q106	E - 14
D118	D - 12	D146	D - 11	Q107	C - 5
				Q108	C - 5
D119	D - 12	D147	D - 13		
D120	D - 11				
D121	C - 12				
D122	C - 12	IC100	D - 8		
D123	C - 11	IC101	D - 12		
		IC102	C - 4		
D124	B - 4	IC103	E - 16		

Note:

- : parts extracted from the component side.
- ⊙ : Pattern on the side which is seen.
- Abbreviation
 CND : Canadian
 G : German
 AUS : Australian
- * Malaysia and Singapore model is the same as the AEP model.

02

AMP BOARD
CN102
(Page 16)

SURR BOARD
CN102
(Page 5)


VOL BOARD
CN108
(Page 6)

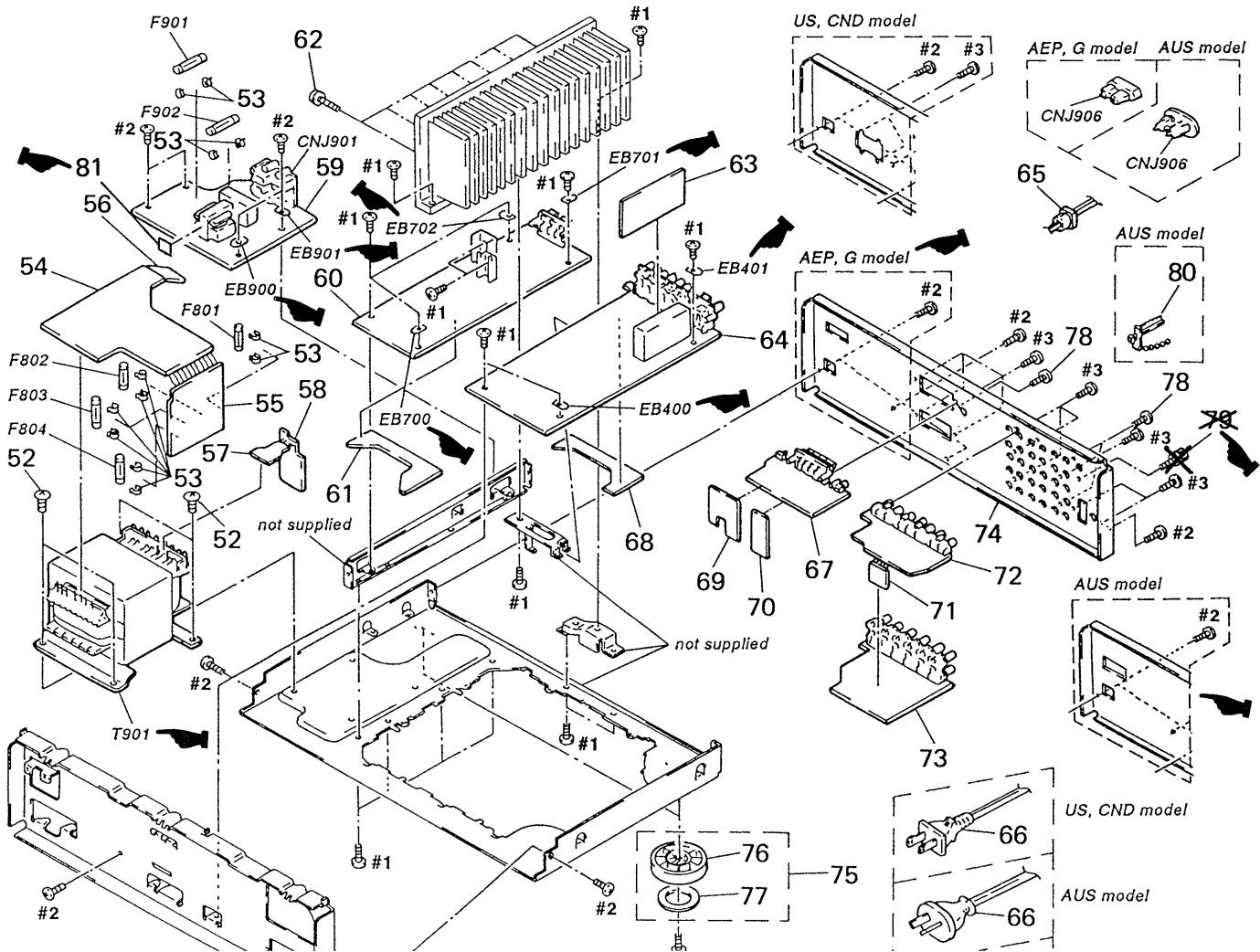
VOL BOARD
CN406
(Page 6)

EXPLODED VIEWS

- Since only these sections that are different from the former type are described in this manual, refer to the original Service Manual which is issued already for the other parts.

4-2. CHASSIS SECTION (Service Manual See Page 37)

 : Added or deleted portion



Ref. No.	Former Type		New Type		Remark
	Part No.	Description	Part No.	Description	
79	4-947-010-01	SCREW, FEEDER			Deleted
* 81			4-977-269-11	INSULATOR (L) (AEP, G)	Added
△T901	1-427-728-11	TRANSFORMER, POWER (AEP, G, AUS)	1-427-728-11	TRANSFORMER, POWER (AEP, G)	Changed
△T901			1-427-908-11	TRANSFORMER, POWER (AUS)	Added
EB400	1-537-770-21	TERMINAL BOARD, GROUND	1-537-738-21	TERMINAL, EARTH	Changed
EB401	1-537-770-21	TERMINAL BOARD, GROUND	1-537-738-21	TERMINAL, EARTH	Changed
EB700	1-537-770-21	TERMINAL BOARD, GROUND	1-537-738-21	TERMINAL, EARTH	Changed
EB701	1-537-770-21	TERMINAL BOARD, GROUND	1-537-738-21	TERMINAL, EARTH	Changed
EB702	1-537-770-21	TERMINAL BOARD, GROUND	1-537-738-21	TERMINAL, EARTH	Changed
EB900	1-537-770-21	TERMINAL BOARD, GROUND	1-537-738-21	TERMINAL, EARTH	Changed
EB901	1-537-770-21	TERMINAL BOARD, GROUND	1-537-738-21	TERMINAL, EARTH	Changed

ELECTRICAL PARTS LIST

NOTE :

- Due to standardization, replacements in the parts list may be different from the parts specified in the diagrams or the components used on the set.
- -XX, -X mean standardized parts, so they may have some difference from the original one.
- RESISTORS
All resistors are in ohms
METAL : Metal-film resistor
METAL OXIDE :Metal oxide-film resistor
F : nonflammable
- Items marked “ * ”are not stocked since they are seldom required for routine service. Some delay should be anticipated when ordering these items.

● SEMICONDUCTORS

In each case, u : μ , for example :
 uA..... : μ A..... , uPA..... : μ PA.....
 uPB..... : μ PB..... , uPC..... : μ PC.....
 uPD..... : μ PD.....

● CAPACITORS

uF : μ F

● COILS

uH : μ H

● Abbreviation

CND : Canadian G : German

AUS : Australian

- Malaysia and Singapore model is the same as the AEP model.

The components identified by mark Δ or dotted line with mark Δ are critical for safety.
 Replace only with part number specified.

Les composants identifiés par une marque Δ sont critiques pour la sécurité.
 Ne les remplacer que par une pièce portant le numéro spécifié.

When indicating parts by reference number, please include the board.

Ref. No.	Part No.	Description	Remark				Ref. No.	Part No.	Description	Remark		
*	1-656-404-11	AC SW BOARD (AEP,G) *****					C623	1-162-282-31	CERAMIC	100PF	10%	50V
		< CAPACITOR >					C624	1-104-665-11	ELECT	100uF	20%	16V
Δ C912	1-113-916-11	CERAMIC	0.01uF	20%	250V		C626	1-136-157-00	FILM	0.022uF	5%	50V
		< CONNECTOR >			(AEP,G)		C656	1-126-963-11	ELECT	4.7uF	20%	50V
CNP907	1-580-230-11	PIN, CONNECTOR (PC BOARD) 2P (AEP,G)					C661	1-164-096-11	CERAMIC	0.01uF		50V
		< SWITCH >					C671	1-126-963-11	ELECT	4.7uF	20%	50V
Δ S901	1-572-267-21	SWITCH, PUSH (AC POWER)(1 KEY) (POWER) (AEP,G)					C672	1-162-282-31	CERAMIC	100PF	10%	50V
		*****					C673	1-162-282-31	CERAMIC	100PF	10%	50V
*	A-4377-771-A	AMP BOARD, COMPLETE (D865)					C674	1-104-665-11	ELECT	100uF	20%	16V
*	A-4377-753-A	AMP BOARD, COMPLETE (D965:US,CND)					C676	1-136-157-00	FILM	0.022uF	5%	50V
*	A-4377-754-A	AMP BOARD, COMPLETE (D965:AEP,G)					C701	1-124-910-11	ELECT	47uF	20%	50V (D865)
*	A-4378-251-A	AMP BOARD, COMPLETE (D965:AUS)					C701	1-104-664-11	ELECT	47uF	20%	16V (D965)
		*****					C702	1-107-597-11	CERAMIC	22PF	10%	500V
		< CAPACITOR >					C703	1-107-597-11	CERAMIC	22PF	10%	500V
C601	1-124-910-11	ELECT	47uF	20%	50V		C704	1-136-157-00	FILM	0.022uF	5%	50V
					(D865)		C705	1-164-159-11	CERAMIC	0.1uF		50V
C601	1-104-664-11	ELECT	47uF	20%	16V		C706	1-164-159-11	CERAMIC	0.1uF		50V
					(D965)		C711	1-126-941-11	ELECT	470uF	20%	6.3V
C602	1-107-597-11	CERAMIC	22PF	10%	500V		C712	1-124-463-00	ELECT	0.1uF	20%	50V
C603	1-107-597-11	CERAMIC	22PF	10%	500V		C751	1-124-910-11	ELECT	47uF	20%	50V (D865)
C604	1-136-157-00	FILM	0.022uF	5%	50V		C751	1-104-664-11	ELECT	47uF	20%	16V (D965)
C605	1-164-159-11	CERAMIC	0.1uF		50V		C752	1-107-597-11	CERAMIC	22PF	10%	500V
C606	1-164-159-11	CERAMIC	0.1uF		50V		C753	1-107-597-11	CERAMIC	22PF	10%	500V
C610	1-164-159-11	CERAMIC	0.1uF		50V		C754	1-136-157-00	FILM	0.022uF	5%	50V
C611	1-164-096-11	CERAMIC	0.01uF		50V		C755	1-164-159-11	CERAMIC	0.1uF		50V
C612	1-164-096-11	CERAMIC	0.01uF		50V		C756	1-164-159-11	CERAMIC	0.1uF		50V
					(AEP,G)		C801	1-124-907-11	ELECT	10uF	20%	50V
C621	1-126-963-11	ELECT	4.7uF	20%	50V		C802	1-124-910-11	ELECT	47uF	20%	50V (D965)
C622	1-162-282-31	CERAMIC	100PF	10%	50V		C803	1-125-729-11	ELECT	10000uF	20%	63V (D865,D965:AEP,G)
							C803	1-109-932-12	ELECT	10000uF	20%	71V (D965:US,CND,AUS)

Ref. No.	Part No.	Description	Remark	Ref. No.	Part No.	Description	Remark
C804	1-125-729-11	ELECT	10000uF 20% 63V (D865,D965:AEP,G)	D716	8-719-987-63	DIODE 1N4148M	
C804	1-109-932-12	ELECT	10000uF 20% 71V (D965:US,CND,AUS)	D751	8-719-987-63	DIODE 1N4148M	
C805	1-137-420-11	FILM	0.047uF 10% 100V	D752	8-719-010-06	DIODE UZ-2.2BS	
C806	1-137-420-11	FILM	0.047uF 10% 100V	D753	8-719-010-06	DIODE UZ-2.2BS	
C807	1-104-664-11	ELECT	47uF 20% 16V	D754	8-719-987-63	DIODE 1N4148M	
C808	1-104-664-11	ELECT	47uF 20% 16V	D755	8-719-815-85	DIODE 1S1585	
C811	1-126-413-11	ELECT	3300uF 20% 35V (D865,AEP,G,AUS)	D756	8-719-815-85	DIODE 1S1585	
C811	1-126-224-11	ELECT	4700uF 20% 42V (D965:US,CND)	D763	8-719-987-63	DIODE 1N4148M	
C812	1-126-413-11	ELECT	3300uF 20% 35V (D865,D965:AEP,G,AUS)	D801	8-719-002-76	DIODE UZL-36H	
C812	1-126-224-11	ELECT	4700uF 20% 42V (D965:US,CND)	D802	8-719-302-38	DIODE RBV-602-01	
C813	1-136-495-11	FILM	0.068uF 5% 50V	D803	8-719-025-03	DIODE RBA-402-SL	
C814	1-136-495-11	FILM	0.068uF 5% 50V			< TERMINAL, EARTH >	
C815	1-126-967-11	ELECT	47uF 20% 35V	* EB700	1-537-738-21	TERMINAL, EARTH	
C816	1-126-967-11	ELECT	47uF 20% 35V	* EB701	1-537-738-21	TERMINAL, EARTH	
		< CONNECTOR >		* EB702	1-537-738-21	TERMINAL, EARTH	
CNJ601	1-770-404-11	HOUSING,CONNECTOR(PC BOARD)11P				< IC >	
CNJ701	1-770-404-11	HOUSING,CONNECTOR(PC BOARD)11P		IC601	8-759-069-56	IC LM3875	
* CNJ802	1-565-495-11	CONNECTOR, BOARD TO BOARD 4P		IC671	8-759-069-56	IC LM3875	
CNJ803	1-770-382-11	CONNECTOR, BOARD TO BOARD 12P		IC801	8-759-263-43	IC TA78M12S	
CNP702	1-770-481-11	PIN, CONNECTOR 4P		IC803	8-759-604-45	IC M5F79M12	
* CNP801	1-560-259-00	CONNECTOR PIN,WITH LOCK 6P				< COIL >	
CNS702	1-764-926-11	CONNECTOR,FFC(LIF(NON-ZIF))21P		L601	1-420-872-00	COIL, AIR-CORE	
		< DIODE >		L602	1-420-872-00	COIL, AIR-CORE	
D601	8-719-987-63	DIODE 1N4148M		L652	1-420-872-00	COIL, AIR-CORE	
D602	8-719-010-06	DIODE UZ-2.2BS				< TRANSISTOR >	
D603	8-719-010-06	DIODE UZ-2.2BS		Q601	8-729-119-76	TRANSISTOR 2SA1175-HFE	
D604	8-719-987-63	DIODE 1N4148M		Q602	8-729-141-30	TRANSISTOR 2SC3623A-LK	
D605	8-719-815-85	DIODE 1S1585		Q603	8-749-010-25	IC MN2488-OPY-M	
D606	8-719-815-85	DIODE 1S1585		Q604	8-749-010-26	IC MP1620-OPY-M	
D607	8-719-987-63	DIODE 1N4148M		Q605	8-729-140-82	TRANSISTOR 2SA988-PAFAEA	
D608	8-719-987-63	DIODE 1N4148M		Q606	8-729-140-82	TRANSISTOR 2SA988-PAFAEA	
D631	8-719-987-63	DIODE 1N4148M		Q607	8-729-119-79	TRANSISTOR 2SC2785-FEK	
D632	8-719-987-63	DIODE 1N4148M		Q608	8-729-119-79	TRANSISTOR 2SC2785-FEK	
D701	8-719-987-63	DIODE 1N4148M		Q701	8-729-119-76	TRANSISTOR 2SA1175-HFE	
D702	8-719-010-06	DIODE UZ-2.2BS		Q702	8-729-141-30	TRANSISTOR 2SC3623A-LK	
D703	8-719-010-06	DIODE UZ-2.2BS		Q703	8-749-010-25	IC MN2488-OPY-M	
D704	8-719-987-63	DIODE 1N4148M		Q704	8-749-010-26	IC MP1620-OPY-M	
D705	8-719-815-85	DIODE 1S1585		Q705	8-729-140-82	TRANSISTOR 2SA988-PAFAEA	
D706	8-719-815-85	DIODE 1S1585		Q706	8-729-140-82	TRANSISTOR 2SA988-PAFAEA	
D710	8-719-815-85	DIODE 1S1585		Q711	8-729-140-82	TRANSISTOR 2SA988-PAFAEA	
D711	8-719-815-85	DIODE 1S1585		Q712	8-729-119-79	TRANSISTOR 2SC2785-FEK	
D713	8-719-987-63	DIODE 1N4148M		Q713	8-729-140-84	TRANSISTOR 2SC1841-PAFAEA	
D714	8-719-987-63	DIODE 1N4148M		Q751	8-729-119-76	TRANSISTOR 2SA1175-HFE	
				Q752	8-729-141-30	TRANSISTOR 2SC3623A-LK	
				Q753	8-749-010-25	IC MN2488-OPY-M	
				Q754	8-749-010-26	IC MP1620-OPY-M	
				Q755	8-729-140-82	TRANSISTOR 2SA988-PAFAEA	
				Q756	8-729-140-82	TRANSISTOR 2SA988-PAFAEA	

Ref. No.	Part No.	Description	Remark	Ref. No.	Part No.	Description	Remark
Q801	8-729-140-96	TRANSISTOR 2SD774-34		△ R677	1-249-393-11	CARBON 10 5%	1/4W F
Q802	8-729-119-79	TRANSISTOR 2SC2785-FEK		R700	1-249-437-11	CARBON 47K 5%	1/4W
		< RESISTOR >		△ R701	1-249-393-11	CARBON 10 5%	1/4W F
				R703	1-249-421-11	CARBON 2.2K 5%	1/4W
R600	1-249-437-11	CARBON 47K 5%	1/4W	R704	1-249-414-11	CARBON 560 5%	1/4W
△ R601	1-249-393-11	CARBON 10 5%	1/4W F	△ R705	1-249-393-11	CARBON 10 5%	1/4W F
R603	1-249-421-11	CARBON 2.2K 5%	1/4W	△ R706	1-233-352-21	ENCAPSULATED COMPONENT 2.2	2W F
R604	1-249-414-11	CARBON 560 5%	1/4W	R707	1-249-425-11	CARBON 4.7K 5%	1/4W
△ R605	1-249-393-11	CARBON 10 5%	1/4W F	R708	1-249-421-11	CARBON 2.2K 5%	1/4W
△ R606	1-233-352-21	ENCAPSULATED COMPONENT 2.2	2W F	R709	1-249-431-11	CARBON 15K 5%	1/4W
R607	1-249-425-11	CARBON 4.7K 5%	1/4W	R710	1-249-425-11	CARBON 4.7K 5%	1/4W
R608	1-249-421-11	CARBON 2.2K 5%	1/4W	R711	1-249-421-11	CARBON 2.2K 5%	1/4W
R609	1-249-431-11	CARBON 15K 5%	1/4W	R712	1-249-431-11	CARBON 15K 5%	1/4W
R610	1-249-425-11	CARBON 4.7K 5%	1/4W	R714	1-249-437-11	CARBON 47K 5%	1/4W
				△ R715	1-249-393-11	CARBON 10 5%	1/4W F
R611	1-249-421-11	CARBON 2.2K 5%	1/4W	R719	1-215-868-00	METAL OXIDE 680 5%	1W
R612	1-249-431-11	CARBON 15K 5%	1/4W	R721	1-249-429-11	CARBON 10K 5%	1/4W
△ R613	1-249-389-11	CARBON 4.7 5%	1/4W F	R722	1-249-435-11	CARBON 33K 5%	1/4W
R614	1-249-439-11	CARBON 68K 5%	1/4W	R723	1-249-427-11	CARBON 6.8K 5%	1/4W
△ R615	1-249-393-11	CARBON 10 5%	1/4W F	R727	1-249-417-11	CARBON 1K 5%	1/4W
R617	1-249-438-11	CARBON 56K 5%	1/4W				
R618	1-249-393-11	CARBON 10 5%	1/4W	R732	1-249-429-11	CARBON 10K 5%	1/4W
R619	1-249-393-11	CARBON 10 5%	1/4W	R750	1-249-437-11	CARBON 47K 5%	1/4W
			(AEP,G)	△ R751	1-249-393-11	CARBON 10 5%	1/4W F
R621	1-249-438-11	CARBON 56K 5%	1/4W	R753	1-249-421-11	CARBON 2.2K 5%	1/4W
R623	1-249-411-11	CARBON 330 5%	1/4W	R754	1-249-414-11	CARBON 560 5%	1/4W
			(EXCEPT AEP,G)				
R623	1-249-442-11	CARBON 510 5%	1/4W	△ R755	1-249-393-11	CARBON 10 5%	1/4W F
			(AEP,G)	△ R756	1-233-352-21	ENCAPSULATED COMPONENT 2.2	2W F
R624	1-249-438-11	CARBON 56K 5%	1/4W	R757	1-249-425-11	CARBON 4.7K 5%	1/4W
△ R625	1-249-389-11	CARBON 4.7 5%	1/4W F	R758	1-249-421-11	CARBON 2.2K 5%	1/4W
R626	1-249-438-11	CARBON 56K 5%	1/4W	R759	1-249-431-11	CARBON 15K 5%	1/4W
△ R627	1-249-393-11	CARBON 10 5%	1/4W F				
				R760	1-249-425-11	CARBON 4.7K 5%	1/4W
R631	1-249-429-11	CARBON 10K 5%	1/4W	R761	1-249-421-11	CARBON 2.2K 5%	1/4W
R632	1-249-425-11	CARBON 4.7K 5%	1/4W	R762	1-249-431-11	CARBON 15K 5%	1/4W
R633	1-249-411-11	CARBON 330 5%	1/4W	R764	1-249-438-11	CARBON 56K 5%	1/4W
			(D865,AEP,G,AUS)	△ R765	1-249-393-11	CARBON 10 5%	1/4W F
△ R633	1-249-414-11	CARBON 560 5%	1/4W F	R769	1-215-868-00	METAL OXIDE 680 5%	1W
			(D965:US,CND)	R801	1-249-423-11	CARBON 3.3K 5%	1/4W
R634	1-249-411-11	CARBON 330 5%	1/4W	△ R802	1-249-409-11	CARBON 220 5%	1/4W F
			(D865,AEP,G,AUS)				(EXCEPT AEP,G)
△ R634	1-249-414-11	CARBON 560 5%	1/4W F	△ R802	1-249-385-11	CARBON 2.2 5%	1/6W F
			(D965:US,CND)				(AEP,G)
R635	1-249-429-11	CARBON 10K 5%	1/4W	R803	1-215-883-11	METAL OXIDE 33 5%	2W
R636	1-249-425-11	CARBON 4.7K 5%	1/4W	R804	1-215-883-11	METAL OXIDE 33 5%	2W
R668	1-249-393-11	CARBON 10 5%	1/4W	R806	1-215-883-11	METAL OXIDE 33 5%	2W
R671	1-249-438-11	CARBON 56K 5%	1/4W	R807	1-249-425-11	CARBON 4.7K 5%	1/4W
				R808	1-249-429-11	CARBON 10K 5%	1/4W
R673	1-249-411-11	CARBON 330 5%	1/4W	△ R809	1-249-405-11	CARBON 100 5%	1/4W F
			(EXCEPT AEP,G)				(EXCEPT AEP,G)
R673	1-249-442-11	CARBON 510 5%	1/4W				
			(AEP,G)	△ R809	1-249-399-91	CARBON 33 5%	1/4W F
R674	1-249-438-11	CARBON 56K 5%	1/4W				(AEP,G)
△ R675	1-249-389-11	CARBON 4.7 5%	1/4W F	△ R810	1-249-405-11	CARBON 100 5%	1/4W F
R676	1-249-437-11	CARBON 47K 5%	1/4W				(EXCEPT AEP,G)

The components identified by mark △ or dotted line with mark △ are critical for safety. Replace only with part number specified.	Les composants identifiés par une marque △ sont critiques pour la sécurité. Ne les remplacer que par une pièce portant le numéro spécifié.
---	---

AMP

APS 1

APS 2

AUDIO 2F

Ref. No.	Part No.	Description	Remark
△ R810	1-249-385-11	CARBON	2.2 5% 1/6W F (AEP,G)
△ R811	1-249-385-11	CARBON	2.2 5% 1/6W F
△ R812	1-249-411-11	CARBON	330 5% 1/4W F (D865,AEP,G,AUS)
△ R812	1-249-414-11	CARBON	560 5% 1/4W F (D965:US,CND)
R813	1-215-883-11	METAL OXIDE	33 5% 2W (D965:US,CND)
R814	1-215-883-11	METAL OXIDE	33 5% 2W (D965:US,CND)
R815	1-215-883-11	METAL OXIDE	33 5% 2W
R816	1-215-883-11	METAL OXIDE	33 5% 2W (D965:US,CND)
R817	1-215-883-11	METAL OXIDE	33 5% 2W (D965:US,CND)
< RELAY >			
RY601	1-515-765-11	RELAY	
RY602	1-515-533-11	RELAY	
< TERMINAL >			
TM601	1-537-510-11	TERMINAL BOARD (SPEAKER) (6P)	(SURROUND SPEAKER)

*	1-656-169-11	APS 1 BOARD	*****
< CONNECTOR >			
CNJ905	1-770-379-11	CONNECTOR, BOARD TO BOARD 6P	
CNP704	1-695-087-11	PIN, CONNECTOR (PC BOARD) 7P	
CNP803	1-770-407-11	CONNECTOR, BOARD TO BOARD 12P	

*	1-657-677-11	APS 2 BOARD	*****
< CONNECTOR >			
CNJ702	1-770-569-11	SOCKET 4P	
CNP703	1-770-481-11	PIN, CONNECTOR 4P	

*	1-656-218-11	AUDIO 2F BOARD	*****
*	1-690-880-21	LEAD (WITH CONNECTOR)	
< CAPACITOR >			
C208	1-126-963-11	ELECT	4.7uF 20% 50V
C319	1-162-282-31	CERAMIC	100PF 10% 50V (AEP,G)
C320	1-162-282-31	CERAMIC	100PF 10% 50V (AEP,G)

Ref. No.	Part No.	Description	Remark
C321	1-162-282-31	CERAMIC	100PF 10% 50V (AEP,G)
C322	1-162-282-31	CERAMIC	100PF 10% 50V (AEP,G)
C323	1-162-282-31	CERAMIC	100PF 10% 50V (AEP,G)
C324	1-162-282-31	CERAMIC	100PF 10% 50V (AEP,G)
C369	1-162-282-31	CERAMIC	100PF 10% 50V (AEP,G)
C370	1-162-282-31	CERAMIC	100PF 10% 50V (AEP,G)
C371	1-162-282-31	CERAMIC	100PF 10% 50V (AEP,G)
C372	1-162-282-31	CERAMIC	100PF 10% 50V (AEP,G)
C373	1-162-282-31	CERAMIC	100PF 10% 50V (AEP,G)
C374	1-162-282-31	CERAMIC	100PF 10% 50V (AEP,G)
C395	1-162-282-31	CERAMIC	100PF 10% 50V
C396	1-162-294-31	CERAMIC	0.001uF 10% 50V
< CONNECTOR >			
CNJ302	1-695-096-11	SOCKET, CONNECTOR 15P	
CNP301	1-695-087-11	PIN, CONNECTOR (PC BOARD) 7P	
< IC >			
IC304	8-759-805-14	IC LC7822	
< JACK >			
J303	1-691-887-11	JACK, PIN 6P (LD,TV,VIDEO 2)(US,CND,AUS)	
J303	1-766-394-11	JACK, PIN 6P (LD,TV,VIDEO 2)(AEP,G)	
J304	1-580-825-11	JACK, PIN 6P (VIDEO 1,VIDEO 2) (US,CND,AUS)	
J304	1-766-394-11	JACK, PIN 6P (VIDEO 1,VIDEO 2)(AEP,G)	
< RESISTOR >			
R322	1-249-417-11	CARBON	1K 5% 1/4W
R323	1-249-417-11	CARBON	1K 5% 1/4W
R324	1-249-417-11	CARBON	1K 5% 1/4W
R325	1-249-417-11	CARBON	1K 5% 1/4W
R326	1-249-417-11	CARBON	1K 5% 1/4W
R327	1-249-417-11	CARBON	1K 5% 1/4W
R372	1-249-417-11	CARBON	1K 5% 1/4W
R373	1-249-417-11	CARBON	1K 5% 1/4W
R374	1-249-417-11	CARBON	1K 5% 1/4W
R375	1-249-417-11	CARBON	1K 5% 1/4W
R376	1-249-417-11	CARBON	1K 5% 1/4W
R377	1-249-417-11	CARBON	1K 5% 1/4W
R395	1-249-417-11	CARBON	1K 5% 1/4W
R396	1-249-425-11	CARBON	4.7K 5% 1/4W

The components identified by mark △ or dotted line with mark △ are critical for safety. Replace only with part number specified.	Les composants identifiés par une marque △ sont critiques pour la sécurité. Ne les remplacer que par une pièce portant le numéro spécifié.
---	---

CONT AS-1

CONT AS-2

DISPLAY

Ref. No.	Part No.	Description	Remark
*	1-656-160-11	CONT AS-1 BOARD *****	
		< CONNECTOR >	
CNP501	1-770-553-11	CONNECTOR, BOARD TO BOARD 11P	
CNP701	1-770-553-11	CONNECTOR, BOARD TO BOARD 11P	

*	1-656-161-11	CONT AS-2 BOARD *****	
		< CONNECTOR >	
CNP502	1-770-553-11	CONNECTOR, BOARD TO BOARD 11P	
CNP601	1-770-553-11	CONNECTOR, BOARD TO BOARD 11P	
		< RESISTOR >	
R622	1-249-417-11	CARBON 1K 5% 1/4W	
R652	1-249-417-11	CARBON 1K 5% 1/4W	

*	A-4377-581-A	DISPLAY BOARD, COMPLETE (D865)	
*	A-4377-740-A	DISPLAY BOARD, COMPLETE (D965:US,CND)	
*	A-4377-741-A	DISPLAY BOARD, COMPLETE (D965:AEP,G)	
*	A-4378-250-A	DISPLAY BOARD, COMPLETE (D965:AUS) *****	
		< CAPACITOR >	
C100	1-136-173-00	FILM 0.47uF 5% 50V	
C101	1-126-096-11	ELECT 10uF 20% 35V	
C102	1-124-261-00	ELECT 10uF 20% 50V	
C103	1-164-159-11	CERAMIC 0.1uF 50V	
C104	1-124-261-00	ELECT 10uF 20% 50V	
C105	1-104-905-11	CAPACITOR 0.22F 5.5V	
C106	1-164-159-11	CERAMIC 0.1uF 50V	
C107	1-136-173-00	FILM 0.47uF 5% 50V	
C108	1-164-159-11	CERAMIC 0.1uF 50V	
C109	1-164-159-11	CERAMIC 0.1uF 50V	
C110	1-164-159-11	CERAMIC 0.1uF 50V	
C111	1-162-306-11	CERAMIC 0.01uF 30% 16V	
C112	1-164-159-11	CERAMIC 0.1uF 50V	
C113	1-164-159-11	CERAMIC 0.1uF 50V	
C114	1-162-286-31	CERAMIC 220PF 10% 50V	
C115	1-124-589-11	ELECT 47uF 20% 16V	
		< CONNECTOR >	
CN100	1-770-396-11	HOUSING, CONNECTOR(PC BOARD)3P	
* CN101	1-565-480-11	CONNECTOR, BOARD TO BOARD 4P	
* CN102	1-565-481-11	CONNECTOR, BOARD TO BOARD 5P	
CN103	1-770-398-11	HOUSING, CONNECTOR(PC BOARD)5P	
CNS100	1-766-034-11	CONNECTOR,FFC(LIF(NON-ZIF))21P	
CNS101	1-766-034-11	CONNECTOR,FFC(LIF(NON-ZIF))21P	

Ref. No.	Part No.	Description	Remark
		< DIODE >	
D109	8-719-987-63	DIODE 1N4148M (AEP,G,AUS)	
D112	8-719-987-63	DIODE 1N4148M (D965)	
D115	8-719-987-63	DIODE 1N4148M	
D116	8-719-987-63	DIODE 1N4148M	
D117	8-719-987-63	DIODE 1N4148M	
D118	8-719-301-49	LED SEL2810A (INDEX)	
D119	8-719-301-49	LED SEL2810A (TONE)	
D120	8-719-301-49	LED SEL2810A (SUR)	
D121	8-719-301-49	LED SEL2810A (INFORMATION) (AEP,G)	
D122	8-719-301-49	LED SEL2810A (NEWS (AEP,G))	
D123	8-719-301-49	LED SEL2810A (TA)(AEP,G)	
D124	8-719-301-49	LED SEL2810A (TAPE MONITOR)	
D125	8-719-313-43	LED SEL6210S-TH10 (STANDBY) (AEP,G,AUS)	
D127	8-719-987-63	DIODE 1N4148M (AEP,G)	
D128	8-719-987-63	DIODE 1N4148M	
D140	8-719-987-63	DIODE 1N4148M	
D141	8-719-987-63	DIODE 1N4148M	
D142	8-719-987-63	DIODE 1N4148M	
D143	8-719-987-63	DIODE 1N4148M	
D144	8-719-987-63	DIODE 1N4148M	
D145	8-719-987-63	DIODE 1N4148M	
D146	8-719-987-63	DIODE 1N4148M	
D147	8-719-987-63	DIODE 1N4148M	
		< INDICATOR TUBE >	
FL100	1-517-402-11	INDICATOR TUBE, FLUORESCENT	
		< IC >	
IC100	8-759-075-35	IC TD62C950RF	
IC101	8-759-635-31	IC M50253P	
IC102	8-749-923-11	IC GP1U58XB	
IC103	8-759-820-62	IC LB1639	
IC104	8-759-384-77	IC MB90673-144	
IC105	8-759-075-35	IC TD62C950RF	
		< COIL >	
L101	1-410-509-11	INDUCTOR 10uH	
		< TRANSISTOR >	
Q100	8-729-422-57	TRANSISTOR UN4111	
Q101	8-729-900-80	TRANSISTOR DTC114ES	
Q103	8-729-900-36	TRANSISTOR DTC124ES	
Q104	8-729-119-76	TRANSISTOR 2SA1175-HFE	
Q105	8-729-119-79	TRANSISTOR 2SC2785-FEK	
Q106	8-729-900-80	TRANSISTOR DTC114ES	
Q107	8-729-900-80	TRANSISTOR DTC114ES (AEP,G,AUS)	
Q108	8-729-900-80	TRANSISTOR DTC114ES (AEP,G,AUS)	

DISPLAY

Ref. No.	Part No.	Description	Remark	Ref. No.	Part No.	Description	Remark
< RESISTOR >							
R100	1-249-413-11	CARBON	470 5% 1/4W	S105	1-554-303-21	SWITCH, TACTILE (LEVEL)	
R101	1-249-413-11	CARBON	470 5% 1/4W	S106	1-554-303-21	SWITCH, TACTILE (FM MODE)	
R102	1-249-413-11	CARBON	470 5% 1/4W	S107	1-554-303-21	SWITCH, TACTILE (BAND)	
R103	1-249-429-11	CARBON	10K 5% 1/4W	S108	1-554-303-21	SWITCH, TACTILE (POWER ON/STANDBY)	
R104	1-247-807-31	CARBON	100 5% 1/4W	S109	1-554-303-21	SWITCH, TACTILE (▲)	
R105	1-249-437-11	CARBON	47K 5% 1/4W	S110	1-554-303-21	SWITCH, TACTILE (▼)	
R106	1-249-429-11	CARBON	10K 5% 1/4W	S111	1-554-303-21	SWITCH, TACTILE (3)	
R107	1-249-419-11	CARBON	1.5K 5% 1/4W	S112	1-554-303-21	SWITCH, TACTILE (6)	
R108	1-249-437-11	CARBON	47K 5% 1/4W	S113	1-554-303-21	SWITCH, TACTILE (9)	
R113	1-249-425-11	CARBON	4.7K 5% 1/4W	S114	1-554-303-21	SWITCH, TACTILE (SHIFT)	
R114	1-249-441-11	CARBON	100K 5% 1/4W	S115	1-554-303-21	SWITCH, TACTILE (PRESET TUNING -)	
R115	1-249-437-11	CARBON	47K 5% 1/4W	S116	1-554-303-21	SWITCH, TACTILE (◀)	
R116	1-249-429-11	CARBON	10K 5% 1/4W	S117	1-554-303-21	SWITCH, TACTILE (▶)	
R117	1-249-429-11	CARBON	10K 5% 1/4W	S118	1-554-303-21	SWITCH, TACTILE (2)	
R118	1-249-429-11	CARBON	10K 5% 1/4W	S119	1-554-303-21	SWITCH, TACTILE (5)	
R119	1-249-437-11	CARBON	47K 5% 1/4W	S120	1-554-303-21	SWITCH, TACTILE (8)	
R120	1-249-417-11	CARBON	1K 5% 1/4W	S121	1-554-303-21	SWITCH, TACTILE (0)	
R121	1-249-437-11	CARBON	47K 5% 1/4W	S122	1-554-303-21	SWITCH, TACTILE (PRESET TUNING +)	
△R122	1-249-385-11	CARBON	2.2 5% 1/6W F	S123	1-554-303-21	SWITCH, TACTILE (SOUND FIELD◀)	
R123	1-249-437-11	CARBON	47K 5% 1/4W	S124	1-554-303-21	SWITCH, TACTILE (DPC MODE)	
△R127	1-249-385-11	CARBON	2.2 5% 1/6W F	S125	1-554-303-21	SWITCH, TACTILE (1)	
R128	1-249-433-11	CARBON	22K 5% 1/4W	S126	1-554-303-21	SWITCH, TACTILE (4)	
R129	1-249-433-11	CARBON	22K 5% 1/4W	S127	1-554-303-21	SWITCH, TACTILE (7)	
R130	1-249-433-11	CARBON	22K 5% 1/4W	S128	1-554-303-21	SWITCH, TACTILE (DIRECT)	
R131	1-249-433-11	CARBON	22K 5% 1/4W	S129	1-554-303-21	SWITCH, TACTILE (SOUND FIELD ON/OFF)	
R132	1-249-433-11	CARBON	22K 5% 1/4W	S130	1-554-303-21	SWITCH, TACTILE (CENTER MODE)	
R133	1-249-433-11	CARBON	22K 5% 1/4W	S131	1-554-303-21	SWITCH, TACTILE (PHONO)	
R134	1-249-433-11	CARBON	22K 5% 1/4W	S132	1-554-303-21	SWITCH, TACTILE (TUNER)	
R140	1-249-425-11	CARBON	4.7K 5% 1/4W	S133	1-554-303-21	SWITCH, TACTILE (CD)	
R141	1-249-417-11	CARBON	1K 5% 1/4W	S134	1-554-303-21	SWITCH, TACTILE (DAT/MD)	
R142	1-249-417-11	CARBON	1K 5% 1/4W	S135	1-554-303-21	SWITCH, TACTILE (VIDEO 3) (D965)	
R143	1-249-425-11	CARBON	4.7K 5% 1/4W	S135	1-554-303-21	SWITCH, TACTILE (VIDEO 2) (D865)	
R144	1-249-425-11	CARBON	4.7K 5% 1/4W	S136	1-554-303-21	SWITCH, TACTILE (SOUND FIELD▶)	
R145	1-249-425-11	CARBON	4.7K 5% 1/4W	S137	1-554-303-21	SWITCH, TACTILE (TONE ON/OFF)	
R146	1-249-429-11	CARBON	10K 5% 1/4W	S139	1-554-303-21	SWITCH, TACTILE (VIDEO 1) (D965)	
R150	1-249-437-11	CARBON	47K 5% 1/4W	S139	1-554-303-21	SWITCH, TACTILE (TAPE MONITOR) (D865)	
R155	1-249-429-11	CARBON	10K 5% 1/4W	S140	1-554-303-21	SWITCH, TACTILE (VIDEO 2) (D965)	
R156	1-249-425-11	CARBON	4.7K 5% 1/4W	S140	1-554-303-21	SWITCH, TACTILE (VIDEO 1) (D865)	
R158	1-249-413-11	CARBON	470 5% 1/4W	S141	1-554-303-21	SWITCH, TACTILE (TV)	
			(AEP,G,AUS)	S142	1-554-303-21	SWITCH, TACTILE (LD)	
			(AEP,G,AUS)	S143	1-554-303-21	SWITCH, TACTILE (TAPE MONITOR) (D965)	
< RELAY >							
RY101	1-515-614-11	RELAY		< VIBRATOR >			
< SWITCH >							
S101	1-554-303-21	SWITCH, TACTILE (MEMORY)		X100	1-567-819-11	VIBRATOR, CERAMIC (4MHz)	
S102	1-554-303-21	SWITCH, TACTILE (DISPLAY)		*****			
S103	1-554-303-21	SWITCH, TACTILE (TUNING/INDEX SELECT +)					
S104	1-554-303-21	SWITCH, TACTILE (TUNING/INDEX SELECT -)					

The components identified by mark △ or dotted line with mark △ are critical for safety. Replace only with part number specified.	Les composants identifiés par une marque △ sont critiques pour la sécurité. Ne les remplacer que par une pièce portant le numéro spécifié.
---	---

H.P**MUTE SW****PHONO**

Ref. No.	Part No.	Description	Remark
*	1-656-156-11	H.P BOARD *****	
		< CONNECTOR >	
CN150	1-770-387-11	PIN, CONNECTOR (PC BOARD) 3P	
		< JACK >	
J100	1-568-519-41	JACK, LARGE TYPE (PHONES)	

*	1-656-151-11	MUTE SW BOARD *****	
		< CONNECTOR >	
CN105	1-770-399-11	HOUSING, CONNECTOR (PC BOARD) 6P	
* CN152	1-569-799-11	PLUG, CONNECTOR 5P	
		< DIODE >	
D106	8-719-301-49	LED SEL2810A (MUTING)	
D108	8-719-301-49	LED SEL2810A (BASS BOOST)	
		< RESISTOR >	
R124	1-249-417-11	CARBON 1K 5% 1/4W	
R125	1-249-429-11	CARBON 10K 5% 1/4W	
R126	1-249-417-11	CARBON 1K 5% 1/4W	
		< VARIABLE RESISTOR >	
RV100	1-223-880-11	RES, VAR, CARBON 100K/100K (BALANCE)	
		< SWITCH >	
S138	1-554-303-21	SWITCH, TACTILE (MUTING)	
S146	1-554-303-21	SWITCH, TACTILE (BASS BOOST)	

*	A-4377-745-A	PHONO BOARD, COMPLETE (US,CND,AUS)	
*	A-4377-746-A	PHONO BOARD, COMPLETE (AEP,G) *****	
		< CAPACITOR >	
C024	1-162-287-31	CERAMIC 270PF 10% 50V	
C074	1-162-287-31	CERAMIC 270PF 10% 50V	
C300	1-162-286-31	CERAMIC 220PF 10% 50V	
C304	1-124-477-11	ELECT 47uF 20% 25V	
C305	1-130-480-00	MYLAR 0.0056uF 5% 50V	
C306	1-130-473-00	MYLAR 0.0015uF 5% 50V	
C307	1-124-903-11	ELECT 1uF 20% 50V	
C308	1-164-159-11	CERAMIC 0.1uF 50V	
C350	1-162-286-31	CERAMIC 220PF 10% 50V	
C354	1-124-477-11	ELECT 47uF 20% 25V	
C355	1-130-480-00	MYLAR 0.0056uF 5% 50V	
C356	1-130-473-00	MYLAR 0.0015uF 5% 50V	
C357	1-124-903-11	ELECT 1uF 20% 50V	

Ref. No.	Part No.	Description	Remark
C358	1-164-159-11	CERAMIC 0.1uF	50V
C458	1-124-907-11	ELECT 10uF	20% 50V (AEP,G)
C460	1-164-159-11	CERAMIC 0.1uF	50V (AEP,G)
C461	1-162-306-11	CERAMIC 0.01uF	30% 16V (AEP,G)
C462	1-126-961-11	ELECT 2.2uF	20% 50V (AEP,G)
C463	1-162-288-31	CERAMIC 330PF	10% 50V (AEP,G)
C466	1-162-291-31	CERAMIC 560PF	10% 50V (AEP,G)
C467	1-162-280-31	CERAMIC 82PF	10% 50V (AEP,G)
C468	1-162-215-31	CERAMIC 47PF	5% 50V (AEP,G)
C469	1-162-306-11	CERAMIC 0.01uF	30% 16V (AEP,G)
		< CONNECTOR >	
CNJ303	1-695-095-11	SOCKET, CONNECTOR 13P	
CNJ304	1-695-095-11	SOCKET, CONNECTOR 13P	
CNP302	1-695-091-11	PIN, CONNECTOR (PC BOARD) 15P	
		< IC >	
IC301	8-759-634-51	IC M5218AP	
IC404	8-759-634-51	IC M5218AP (AEP,G)	
IC405	8-759-169-99	IC SAA6579 (AEP,G)	
		< RESISTOR >	
R303	1-249-441-11	CARBON 100K 5%	1/4W
R304	1-249-416-11	CARBON 820 5%	1/4W
R305	1-247-897-11	CARBON 560K 5%	1/4W
R306	1-249-437-11	CARBON 47K 5%	1/4W
R307	1-249-441-11	CARBON 100K 5%	1/4W
R308	1-247-807-31	CARBON 100 5%	1/4W
R353	1-249-441-11	CARBON 100K 5%	1/4W
R354	1-249-416-11	CARBON 820 5%	1/4W
R355	1-247-897-11	CARBON 560K 5%	1/4W
R356	1-249-437-11	CARBON 47K 5%	1/4W
R357	1-249-441-11	CARBON 100K 5%	1/4W
R358	1-247-807-31	CARBON 100 5%	1/4W
R421	1-249-433-11	CARBON 22K 5%	1/4W (AEP,G)
R422	1-249-426-11	CARBON 5.6K 5%	1/4W (AEP,G)
R424	1-249-441-11	CARBON 100K 5%	1/4W (AEP,G)
R425	1-249-441-11	CARBON 100K 5%	1/4W (AEP,G)
R426	1-249-409-11	CARBON 220 5%	1/4W (AEP,G)

PHONO **PRIM-A** **PRIM-B** **PS** **SEC-A**

Ref. No.	Part No.	Description	Remark
R427	1-249-409-11	CARBON 220 5%	1/4W (AEP,G)
R428	1-249-421-11	CARBON 2.2K 5%	1/4W (AEP,G)
< VIBRATOR >			
X402	1-579-900-21	VIBRATOR, CRYSTAL (4.332MHz)	(AEP,G)

*	1-656-158-11	PRIM-A BOARD	*****
< CONNECTOR >			
CNJ902	1-770-568-11	SOCKET 3P	

*	1-656-165-11	PRIM-B BOARD	*****

*	1-656-163-11	PS BOARD	*****
	1-533-217-31	HOLDER, FUSE	
< CAPACITOR >			
C901	1-161-494-00	CERAMIC 0.022uF 25V	
C902	1-161-494-00	CERAMIC 0.022uF 25V	
C903	1-124-557-11	ELECT 1000uF 20% 25V	
C903	1-126-942-61	ELECT 1000uF 20% 25V	
C904	1-124-903-11	ELECT 1uF 20% 50V	
C905	1-124-902-00	ELECT 0.47uF 20% 50V	
C906	1-124-464-11	ELECT 0.22uF 20% 50V	
C910	1-113-915-11	CERAMIC 0.001uF 10% 400V	(AEP,G)
C911	1-113-915-11	CERAMIC 0.001uF 10% 400V	(AEP,G)
C913	1-164-159-11	CERAMIC 0.1uF 50V	
< JACK >			
△CNJ901	1-540-060-11	OUTLET, AC (POLAR) (US,CND)	
< CONNECTOR >			
* CNP902	1-564-751-11	PIN, CONNECTOR (WITH LOCK) 2P	
CNP903	1-564-321-00	PIN, CONNECTOR 2P	
* CNP904	1-580-230-21	PIN, CONNECTOR (PC BOARD) 2P (AEP,G,AUS)	
CNP905	1-770-412-11	CONNECTOR, BOARD TO BOARD 6P	
CNP908	1-580-230-11	PIN, CONNECTOR (PC BOARD) 2P (AEP,G)	
< DIODE >			
D901	8-719-024-99	DIODE 11ES2-NTA2B	
D902	8-719-024-99	DIODE 11ES2-NTA2B	
D903	8-719-024-99	DIODE 11ES2-NTA2B	
D904	8-719-024-99	DIODE 11ES2-NTA2B	

Ref. No.	Part No.	Description	Remark
D905	8-719-987-63	DIODE 1N4148M	
D906	8-719-987-63	DIODE 1N4148M	
D907	8-719-987-63	DIODE 1N4148M	
< TERMINAL, EARTH >			
* EB900	1-537-738-21	TERMINAL, EARTH	
* EB901	1-537-738-21	TERMINAL, EARTH (US,CND)	
< FUSE >			
△F901	1-532-465-51	FUSE, TIME LAG (T3.15AL 250V)	(D965:AEP,G,AUS)
△F901	1-533-310-11	FUSE, GLASS TUBE6.3A 125V (D865)	
△F901	1-533-311-11	FUSE, GLASS CYLINDRICAL (DIA.5) (8A 125V)	(D965:US,CND)
△F902	1-532-464-51	FUSE (T2.5AL 250V) (D965:AEP,G,AUS)	
< IC >			
IC901	8-759-333-83	IC NJM2103D	
< TRANSISTOR >			
Q901	8-729-119-79	TRANSISTOR 2SC2785-FEK	
Q902	8-729-030-18	TRANSISTOR 2SD2525	
< RESISTOR >			
△R901	1-202-725-00	SOLID 3.3M 10% 1/2W	(US,CND)
R902	1-249-429-11	CARBON 10K 5% 1/4W	
R903	1-249-425-11	CARBON 4.7K 5% 1/4W	
R904	1-249-417-11	CARBON 1K 5% 1/4W	
R905	1-249-429-11	CARBON 10K 5% 1/4W	
R906	1-247-840-00	CARBON 2.4K 5% 1/4W	
R908	1-249-433-11	CARBON 22K 5% 1/4W	
R909	1-249-439-11	CARBON 68K 5% 1/4W	
R910	1-249-429-11	CARBON 10K 5% 1/4W	
R911	1-249-417-11	CARBON 1K 5% 1/4W	
R912	1-249-423-11	CARBON 3.3K 5% 1/4W	
< RELAY >			
△RY901	1-515-999-11	RELAY, POWER	
< TRANSFORMER >			
△T902	1-450-361-11	TRANSFORMER, POWER (US,CND)	
△T902	1-450-358-11	TRANSFORMER, POWER (AEP,G,AUS)	

*	1-656-167-11	SEC-A BOARD	*****
< CAPACITOR >			
C817	1-124-122-11	ELECT 100uF 20% 50V	(AEP,G)

The components identified by mark △ or dotted line with mark △ are critical for safety. Replace only with part number specified.	Les composants identifiés par une marque △ sont critiques pour la sécurité. Ne les remplacer que par une pièce portant le numéro spécifié.
--	--

SEC-A

SEC-B

SEC-C

SP SW

SP TM

Ref. No.	Part No.	Description	Remark
		< CONNECTOR >	
* CNJ801	1-750-533-11	SOCKET 6P	
* CNP802	1-565-480-11	CONNECTOR, BOARD TO BOARD 4P	
		< DIODE >	
D804	8-719-987-63	DIODE 1N4148M	
D908	8-719-014-66	DIODE UZP-5.6B	
		< FUSE >	
△F801	1-532-506-51	FUSE (T6.3AL 250V) (D965:AEP,G,AUS)	
△F801	1-533-310-11	FUSE, GLASS TUBE6.3A 125V (D865)	
△F801	1-533-311-11	FUSE, GLASS CYLINDRICAL (DIA.5) (8A 125V) (D965:US,CND)	
△F802	1-532-506-51	FUSE (T6.3AL 250V) (D965:AEP,G,AUS)	
△F802	1-533-310-11	FUSE, GLASS TUBE6.3A 125V (D865)	
△F802	1-533-311-11	FUSE, GLASS CYLINDRICAL(DIA.5)(8A 125V) (D965:US,CND)	
△F803	1-532-465-51	FUSE, TIME LAG (T3.15AL 250V) (D965:AEP,G,AUS)	
△F803	1-533-419-11	FUSE, GLASS CYLINDRICAL (DIA.5) (4A 125V) (D965:US,CND)	
△F803	1-576-107-11	FUSE (3.15A 125V) (D865)	
△F804	1-532-465-51	FUSE, TIME LAG (T3.15AL 250V) (D965:AEP,G,AUS)	
△F804	1-533-419-11	FUSE, GLASS CYLINDRICAL (DIA.5) (4A 125V) (D965:US,CND)	
△F804	1-576-107-11	FUSE (3.15A 125V) (D865)	
		< RELAY >	
RY801	1-755-026-11	RELAY (D865,D965:US,AEP,G,AUS)	
RY851	1-515-918-11	RELAY (D965:CND)	
RY852	1-515-918-11	RELAY (D965:CND)	

* 1-656-164-11	SEC-B BOARD	*****	
		< DIODE >	
D805	8-719-024-99	DIODE 11ES2-NTA2B (AEP,G)	
		< RESISTOR >	
R818	1-249-385-11	CARBON 2.2 5% 1/6W (AEP,G)	

* 1-656-168-11	SEC-C BOARD	*****	

Ref. No.	Part No.	Description	Remark
*	1-656-150-11	SP SW BOARD *****	
		< CONNECTOR >	
* CN151	1-565-295-11	PLUG, CONNECTOR 4P	
		< DIODE >	
D113	8-719-987-63	DIODE 1N4148M	
D114	8-719-987-63	DIODE 1N4148M	
		< SWITCH >	
S100	1-762-268-11	SWITCH, ROTARY (SPEAKERS)	

* 1-656-162-11	SP TM BOARD	*****	
		< CAPACITOR >	
C017	1-164-159-11	CERAMIC 0.1uF	50V (AEP,G)
C019	1-162-282-31	CERAMIC 100PF	10% 50V (AEP,G)
C067	1-164-159-11	CERAMIC 0.1uF	50V (AEP,G)
C710	1-164-096-11	CERAMIC 0.01uF	50V (AEP,G)
C713	1-164-096-11	CERAMIC 0.01uF	50V (AEP,G)
C760	1-164-096-11	CERAMIC 0.01uF	50V (AEP,G)
C763	1-164-096-11	CERAMIC 0.01uF	50V (AEP,G)
		< CONNECTOR >	
CNJ703	1-770-569-11	SOCKET 4P	
CNJ704	1-695-092-11	SOCKET, CONNECTOR 7P	
		< DIODE >	
D712	8-719-987-63	DIODE 1N4148M (D865,AEP,G,AUS)	
D762	8-719-987-63	DIODE 1N4148M	
		< JACK >	
J701	1-770-377-21	JACK, PIN 1P (MIX OUT)	
		< COIL >	
L701	1-420-872-00	COIL, AIR-CORE	
L751	1-420-872-00	COIL, AIR-CORE	
		< TRANSISTOR >	
Q714	8-729-119-79	TRANSISTOR 2SC2785-FEK	
Q716	8-729-900-80	TRANSISTOR DTC114ES (D865)	
Q717	8-729-119-76	TRANSISTOR 2SA1175-HF (D865)	

The components identified by mark △ or dotted line with mark △ are critical for safety. Replace only with part number specified.	Les composants identifiés par une marque △ sont critiques pour la sécurité. Ne les remplacer que par une pièce portant le numéro spécifié.
---	---

SPTM **SURR**

Ref. No.	Part No.	Description	Remark
Q718	8-729-900-80	TRANSISTOR DTC114ES (D865)	
Q764	8-729-119-79	TRANSISTOR 2SC2785-FEK	
< RESISTOR >			
△ R713	1-249-389-11	CARBON	4.7 5% 1/4W F
R717	1-249-393-11	CARBON	10 5% 1/4W (AEP,G)
R718	1-249-421-11	CARBON	2.2K 5% 1/4W
R720	1-249-393-11	CARBON	10 5% 1/4W (AEP,G)
R724	1-249-429-11	CARBON	10K 5% 1/4W
R725	1-249-425-11	CARBON	4.7K 5% 1/4W
△ R726	1-249-411-11	CARBON	330 5% 1/4W F (D865,AEP,G,AUS)
△ R726	1-249-414-11	CARBON	560 5% 1/4W F (D965:US,CND)
R729	1-249-438-11	CARBON	56K 5% 1/4W
R730	1-249-438-11	CARBON	56K 5% 1/4W
R731	1-249-438-11	CARBON	56K 5% 1/4W
R732	1-249-438-11	CARBON	56K 5% 1/4W
R733	1-249-429-11	CARBON	10K 5% 1/4W (D865)
R734	1-249-429-11	CARBON	10K 5% 1/4W (D865)
△ R763	1-249-389-11	CARBON	4.7 5% 1/4W F
R767	1-249-393-11	CARBON	10 5% 1/4W (AEP,G)
R770	1-249-393-11	CARBON	10 5% 1/4W (AEP,G)
R774	1-249-429-11	CARBON	10K 5% 1/4W
R775	1-249-425-11	CARBON	4.7K 5% 1/4W
△ R776	1-249-411-11	CARBON	330 5% 1/4W F (D865,AEP,G,AUS)
△ R776	1-249-414-11	CARBON	560 5% 1/4W F (D965:US,CND)
< RELAY >			
RY701	1-515-765-11	RELAY	
RY702	1-515-765-11	RELAY	
< SWITCH >			
S701	1-692-196-11	SWITCH, SLIDE (IMPEDANCE SELECTOR)	(D965:US,CND,AUS)
< TERMINAL >			
TM701	1-537-376-11	TERMINAL BOARD (SP) (FRONT SPEAKER)	

Ref. No.	Part No.	Description	Remark
*	A-4377-755-A	SURR BOARD, COMPLETE (D965:US,CND)	
*	A-4377-756-A	SURR BOARD, COMPLETE (D965:AEP,G)	
*	A-4377-757-A	SURR BOARD, COMPLETE (D965:AUS)	
*	A-4377-772-A	SURR BOARD, COMPLETE (D865)	

	7-682-548-04	SCREW +BVTT 3X8 (S)	
< CAPACITOR >			
C013	1-164-096-11	CERAMIC	0.01uF 50V (AEP,G)
C015	1-164-159-11	CERAMIC	0.1uF 50V (AEP,G)
C018	1-164-159-11	CERAMIC	0.1uF 50V (AEP,G)
C019	1-164-159-11	CERAMIC	0.1uF 50V (AEP,G)
C020	1-164-159-11	CERAMIC	0.1uF 50V (AEP,G)
C021	1-164-159-11	CERAMIC	0.1uF 50V (AEP,G)
C022	1-164-159-11	CERAMIC	0.1uF 50V (AEP,G)
C023	1-164-159-11	CERAMIC	0.1uF 50V (AEP,G)
C063	1-164-096-11	CERAMIC	0.01uF 50V (AEP,G)
C301	1-126-163-11	ELECT	4.7uF 20% 50V (EXCEPT AUS)
C302	1-102-106-00	CERAMIC	100PF 10% 50V (EXCEPT AEP,G)
C302	1-102-110-00	CERAMIC	220PF 10% 50V (AEP,G)
C310	1-162-282-31	CERAMIC	100PF 10% 50V (AEP,G)
C311	1-126-163-11	ELECT	4.7uF 20% 50V
C312	1-126-163-11	ELECT	4.7uF 20% 50V
C313	1-126-163-11	ELECT	4.7uF 20% 50V
C314	1-162-282-31	CERAMIC	100PF 10% 50V (AEP,G)
C315	1-162-282-31	CERAMIC	100PF 10% 50V (AEP,G)
C316	1-164-159-11	CERAMIC	0.1uF 50V
C317	1-162-282-31	CERAMIC	100PF 10% 50V (AEP,G)
C318	1-162-282-31	CERAMIC	100PF 10% 50V (AEP,G)
C351	1-126-163-11	ELECT	4.7uF 20% 50V (EXCEPT AUS)
C352	1-102-106-00	CERAMIC	100PF 10% 50V (EXCEPT AEP,G)
C352	1-102-110-00	CERAMIC	220PF 10% 50V (AEP,G)
C360	1-162-282-31	CERAMIC	100PF 10% 50V (AEP,G)
C361	1-126-163-11	ELECT	4.7uF 20% 50V

The components identified by mark △ or dotted line with mark △ are critical for safety. Replace only with part number specified.	Les composants identifiés par une marque △ sont critiques pour la sécurité. Ne les remplacer que par une pièce portant le numéro spécifié.
--	--

Ref. No.	Part No.	Description			Remark	Ref. No.	Part No.	Description			Remark
C362	1-126-163-11	ELECT	4.7uF	20%	50V	C436	1-126-961-11	ELECT	2.2uF	20%	50V
C363	1-126-163-11	ELECT	4.7uF	20%	50V	C437	1-104-666-11	ELECT	220uF	20%	10V
C364	1-162-282-31	CERAMIC	100PF	10%	50V (AEP,G)	C438	1-136-165-00	FILM	0.1uF	5%	50V
C365	1-162-282-31	CERAMIC	100PF	10%	50V (AEP,G)	C439	1-124-907-11	ELECT	10uF	20%	50V
C366	1-164-159-11	CERAMIC	0.1uF		50V	C440	1-130-469-00	MYLAR	680PF	5%	50V
C367	1-162-282-31	CERAMIC	100PF	10%	50V (AEP,G)	C441	1-126-962-11	ELECT	3.3uF	20%	50V
C368	1-162-282-31	CERAMIC	100PF	10%	50V (AEP,G)	C442	1-126-963-11	ELECT	4.7uF	20%	50V
C397	1-102-106-00	CERAMIC	100PF	10%	50V	C443	1-164-159-11	CERAMIC	0.1uF		50V
C398	1-102-074-00	CERAMIC	0.001uF	10%	50V	C444	1-126-963-11	ELECT	4.7uF	20%	50V
C400	1-162-282-31	CERAMIC	100PF	10%	50V	C445	1-164-159-11	CERAMIC	0.1uF		50V
C401	1-164-159-11	CERAMIC	0.1uF		50V	C446	1-164-159-11	CERAMIC	0.1uF		50V
C402	1-164-159-11	CERAMIC	0.1uF		50V	C447	1-136-173-00	FILM	0.47uF	5%	50V
C403	1-136-157-00	FILM	0.022uF	5%	50V	C448	1-126-963-11	ELECT	4.7uF	20%	50V
C404	1-136-161-00	FILM	0.047uF	5%	50V (EXCEPT AUS)	C449	1-162-215-31	CERAMIC	47PF	5%	50V
C404	1-136-160-00	FILM	0.039uF	5%	50V (AUS)	C450	1-162-215-31	CERAMIC	47PF	5%	50V
C405	1-104-666-11	ELECT	220uF	20%	10V	C451	1-164-159-11	CERAMIC	0.1uF		50V
C406	1-124-907-11	ELECT	10uF	20%	50V	C452	1-104-666-11	ELECT	220uF	20%	10V
C407	1-124-907-11	ELECT	10uF	20%	50V	C453	1-136-159-00	FILM	0.033uF	5%	50V
C408	1-124-907-11	ELECT	10uF	20%	50V	C454	1-130-473-00	MYLAR	0.0015uF	5%	50V
C409	1-124-907-11	ELECT	10uF	20%	50V	C455	1-136-159-00	FILM	0.033uF	5%	50V
C410	1-104-666-11	ELECT	220uF	20%	10V	C456	1-124-903-11	ELECT	1uF	20%	50V
C411	1-126-962-11	ELECT	3.3uF	20%	50V	C457	1-104-666-11	ELECT	220uF	20%	10V
C412	1-126-962-11	ELECT	3.3uF	20%	50V	C461	1-164-159-11	CERAMIC	0.1uF		50V (AEP)
C413	1-136-165-00	FILM	0.1uF	5%	50V	C462	1-164-159-11	CERAMIC	0.1uF		50V (AEP)
C414	1-136-165-00	FILM	0.1uF	5%	50V	C464	1-164-159-11	CERAMIC	0.1uF		50V
C415	1-124-902-00	ELECT	0.47uF	20%	50V	C470	1-162-215-31	CERAMIC	47PF	5%	50V
C416	1-126-963-11	ELECT	4.7uF	20%	50V	C472	1-126-963-11	ELECT	4.7uF	20%	50V (EXCEPT AUS)
C417	1-124-902-00	ELECT	0.47uF	20%	50V	C472	1-124-477-11	ELECT	47uF	20%	25V (AUS)
C418	1-126-963-11	ELECT	4.7uF	20%	50V	C473	1-126-963-11	ELECT	4.7uF	20%	50V (EXCEPT AUS)
C419	1-124-250-11	ELECT	0.15uF	20%	50V	C473	1-124-477-11	ELECT	47uF	20%	25V (AUS)
C420	1-126-962-11	ELECT	3.3uF	20%	50V	C491	1-126-962-11	ELECT	3.3uF	20%	50V
C421	1-124-250-11	ELECT	0.15uF	20%	50V	C492	1-126-963-11	ELECT	4.7uF	20%	50V
C422	1-162-282-31	CERAMIC	100PF	10%	50V	C493	1-164-159-11	CERAMIC	0.1uF		50V
C423	1-104-664-11	ELECT	47uF	20%	16V	C494	1-126-963-11	ELECT	4.7uF	20%	50V
C424	1-136-165-00	FILM	0.1uF	5%	50V	C495	1-164-159-11	CERAMIC	0.1uF		50V
C425	1-136-165-00	FILM	0.1uF	5%	50V	C501	1-126-963-11	ELECT	4.7uF	20%	50V
C426	1-124-902-00	ELECT	0.47uF	20%	50V	C502	1-102-106-00	CERAMIC	100PF	10%	50V
C427	1-126-963-11	ELECT	4.7uF	20%	50V	C503	1-102-989-00	CERAMIC	68PF	5%	500V (EXCEPT AUS)
C428	1-126-963-11	ELECT	4.7uF	20%	50V	C503	1-102-110-00	CERAMIC	220PF	10%	50V (AUS)
C429	1-124-250-11	ELECT	0.15uF	20%	50V	C504	1-102-989-00	CERAMIC	68PF	5%	500V
C430	1-124-902-00	ELECT	0.47uF	20%	50V	C505	1-124-443-00	ELECT	100uF	20%	10V
C431	1-126-962-11	ELECT	3.3uF	20%	50V	C506	1-136-159-00	FILM	0.033uF	5%	50V
C432	1-124-250-11	ELECT	0.15uF	20%	50V	C507	1-136-171-00	FILM	0.33uF	5%	50V
C433	1-104-666-11	ELECT	220uF	20%	10V	C508	1-124-910-11	ELECT	47uF	20%	50V
C434	1-104-664-11	ELECT	47uF	20%	16V	C509	1-136-495-11	FILM	0.068uF	5%	50V
C435	1-164-159-11	CERAMIC	0.1uF		50V						

SURR

Ref. No.	Part No.	Description	Remark			Ref. No.	Part No.	Description	Remark
C510	1-136-153-00	FILM	0.01uF	5%	50V	D402	8-719-987-63	DIODE 1N4148M	
C511	1-130-476-00	MYLAR	0.0027uF	5%	50V	D403	8-719-024-99	DIODE 11ES2-NTA2B	
C512	1-136-157-00	FILM	0.022uF	5%	50V			< TERMINAL, EARTH >	
C513	1-102-947-00	CERAMIC	10PF	5%	50V				
C514	1-102-947-00	CERAMIC	10PF	5%	50V	* EB400	1-537-738-21	TERMINAL, EARTH	
C521	1-126-963-11	ELECT	4.7uF	20%	50V	* EB401	1-537-738-21	TERMINAL, EARTH	
C522	1-102-106-00	CERAMIC	100PF	10%	50V			< IC >	
C523	1-104-664-11	ELECT	47uF	20%	16V				
C524	1-102-989-00	CERAMIC	68PF	5%	500V	IC302	8-759-634-50	IC M5218AL	
C525	1-102-989-00	CERAMIC	68PF	5%	500V	IC303	8-759-634-50	IC M5218AL	
C526	1-102-937-00	CERAMIC	4.0PF	±0.25PF	50V	IC305	8-759-805-14	IC LC7822	
C551	1-126-963-11	ELECT	4.7uF	20%	50V	IC401	8-759-248-74	IC LA2785	
C552	1-102-106-00	CERAMIC	100PF	10%	50V	IC402	8-759-341-23	IC LV1011	
C553	1-102-989-00	CERAMIC	68PF	5%	500V	IC403	8-759-634-51	IC M5218AP	
				(EXCEPT AUS)		IC406	8-759-634-51	IC M5218AP	
C553	1-102-110-00	CERAMIC	220PF	10%	50V	IC501	8-749-920-70	IC STK-3102-3	
				(AUS)		IC502	8-759-072-32	IC TC9184P	
C554	1-102-989-00	CERAMIC	68PF	5%	500V	IC503	8-749-011-16	IC STK350-230	
C555	1-124-443-00	ELECT	100uF	20%	10V			< JACK >	
C556	1-136-159-00	FILM	0.033uF	5%	50V				
C557	1-136-171-00	FILM	0.33uF	5%	50V	J301	1-691-887-11	JACK, PIN 6P (PHONO IN,CD IN,DAT/MD IN)	
C558	1-124-910-11	ELECT	47uF	20%	50V			(EXCEPT AEP,G)	
C559	1-136-495-11	FILM	0.068uF	5%	50V	J301	1-766-394-11	JACK, PIN 6P (PHONO IN,CD IN,DAT/MD IN)	
C560	1-136-153-00	FILM	0.01uF	5%	50V			(AEP,G)	
C561	1-130-476-00	MYLAR	0.0027uF	5%	50V	J302	1-580-825-11	JACK, PIN 6P (TAPE IN/REC OUT, DAT/MD REC OUT)	
C562	1-136-157-00	FILM	0.022uF	5%	50V			(EXCEPT AEP,G)	
C563	1-102-947-00	CERAMIC	10PF	5%	50V	J302	1-766-394-11	JACK, PIN 6P (TAPE IN/REC OUT, DAT/MD OUT)	
C564	1-102-947-00	CERAMIC	10PF	5%	50V			(AEP,G)	
C593	1-124-916-11	ELECT	22uF	20%	63V			< COIL >	
				(D865,D965:AEP,G,AUS)		L401	1-410-509-11	INDUCTOR 10uH	
C593	1-124-929-11	ELECT	22uF	20%	100V	L402	1-410-509-11	INDUCTOR 10uH	
				(D965:US,CND)				< TRANSISTOR >	
C594	1-124-916-11	ELECT	22uF	20%	63V				
				(D865,D965:AEP,G,AUS)		Q301	8-729-141-30	TRANSISTOR 2SC3623A-LK	
C594	1-124-929-11	ELECT	22uF	20%	100V	Q302	8-729-141-30	TRANSISTOR 2SC3623A-LK	
				(D965:US,CND)		Q401	8-729-141-30	TRANSISTOR 2SC3623A-LK	
C595	1-164-159-11	CERAMIC	0.1uF		50V	Q402	8-729-141-30	TRANSISTOR 2SC3623A-LK	
C596	1-104-664-11	ELECT	47uF	20%	16V	Q403	8-729-140-96	TRANSISTOR 2SD774-34	
C597	1-104-664-11	ELECT	47uF	20%	16V				
C598	1-162-282-31	CERAMIC	100PF	10%	50V	Q404	8-729-141-30	TRANSISTOR 2SC3623A-LK	
						Q405	8-729-141-30	TRANSISTOR 2SC3623A-LK	
						Q406	8-729-141-30	TRANSISTOR 2SC3623A-LK	
						Q407	8-729-141-30	TRANSISTOR 2SC3623A-LK	
						Q408	8-729-900-63	TRANSISTOR DTA124ES	
						Q409	8-729-900-63	TRANSISTOR DTA124ES	
						Q410	8-729-900-63	TRANSISTOR DTA124ES	
						Q411	8-729-900-63	TRANSISTOR DTA124ES	
						Q501	8-729-141-30	TRANSISTOR 2SC3623A-LK	
						Q502	8-729-202-67	TRANSISTOR 2SK246-GR3	
						Q551	8-729-141-30	TRANSISTOR 2SC3623A-LK	
						Q552	8-729-202-67	TRANSISTOR 2SK246-GR3	
								< DIODE >	
D401	8-719-001-30	DIODE UZL-9H3							

Ref. No.	Part No.	Description	Remark			Ref. No.	Part No.	Description	Remark		
		< RESISTOR >				R411	1-249-439-11	CARBON	68K	5%	1/4W
R300	1-249-418-11	CARBON	1.2K	5%	1/4W	R412	1-247-903-00	CARBON	1M	5%	1/4W
R301	1-249-409-11	CARBON	220	5%	1/4W	R413	1-249-441-11	CARBON	100K	5%	1/4W
R302	1-249-441-11	CARBON	100K	5%	1/4W	R414	1-249-429-11	CARBON	10K	5%	1/4W
					(EXCEPT AUS)	R415	1-249-433-11	CARBON	22K	5%	1/4W
R310	1-249-421-11	CARBON	2.2K	5%	1/4W	R416	1-249-413-11	CARBON	470	5%	1/4W
R311	1-249-417-11	CARBON	1K	5%	1/4W	R417	1-249-425-11	CARBON	4.7K	5%	1/4W
R312	1-249-417-11	CARBON	1K	5%	1/4W	R418	1-249-413-11	CARBON	470	5%	1/4W
R313	1-249-417-11	CARBON	1K	5%	1/4W	R419	1-249-425-11	CARBON	4.7K	5%	1/4W
R314	1-249-417-11	CARBON	1K	5%	1/4W	R430	1-249-441-11	CARBON	100K	5%	1/4W
R315	1-249-441-11	CARBON	100K	5%	1/4W	R431	1-249-437-11	CARBON	47K	5%	1/4W
R316	1-249-437-11	CARBON	47K	5%	1/4W	R432	1-249-441-11	CARBON	100K	5%	1/4W
R317	1-249-437-11	CARBON	47K	5%	1/4W	R433	1-249-437-11	CARBON	47K	5%	1/4W
R318	1-249-441-11	CARBON	100K	5%	1/4W	R434	1-249-441-11	CARBON	100K	5%	1/4W
R319	1-249-417-11	CARBON	1K	5%	1/4W	R435	1-249-437-11	CARBON	47K	5%	1/4W
R320	1-249-425-11	CARBON	4.7K	5%	1/4W	R436	1-249-437-11	CARBON	47K	5%	1/4W
R321	1-249-429-11	CARBON	10K	5%	1/4W	R437	1-249-416-11	CARBON	820	5%	1/4W
R350	1-249-418-11	CARBON	1.2K	5%	1/4W	R438	1-249-429-11	CARBON	10K	5%	1/4W
					(AEP,G)	R440	1-249-429-11	CARBON	10K	5%	1/4W
R351	1-249-409-11	CARBON	220	5%	1/4W	R441	1-249-429-11	CARBON	10K	5%	1/4W
R352	1-249-441-11	CARBON	100K	5%	1/4W	R442	1-249-435-11	CARBON	33K	5%	1/4W
					(EXCEPT AUS)	R443	1-249-433-11	CARBON	22K	5%	1/4W
R360	1-249-421-11	CARBON	2.2K	5%	1/4W	R444	1-249-433-11	CARBON	22K	5%	1/4W
R361	1-249-417-11	CARBON	1K	5%	1/4W	R445	1-249-429-11	CARBON	10K	5%	1/4W
R362	1-249-417-11	CARBON	1K	5%	1/4W	R446	1-249-417-11	CARBON	1K	5%	1/4W
R363	1-249-417-11	CARBON	1K	5%	1/4W	R447	1-249-417-11	CARBON	1K	5%	1/4W
R364	1-249-417-11	CARBON	1K	5%	1/4W	R448	1-249-417-11	CARBON	1K	5%	1/4W
R365	1-249-441-11	CARBON	100K	5%	1/4W	R463	1-249-441-11	CARBON	100K	5%	1/4W
					(EXCEPT AUS)	R464	1-249-429-11	CARBON	10K	5%	1/4W
R365	1-249-437-11	CARBON	47K	5%	1/4W	R465	1-249-429-11	CARBON	10K	5%	1/4W
					(AUS)	R466	1-249-413-11	CARBON	470	5%	1/4W
R366	1-249-437-11	CARBON	47K	5%	1/4W	R467	1-249-425-11	CARBON	4.7K	5%	1/4W
R367	1-249-437-11	CARBON	47K	5%	1/4W	R468	1-249-413-11	CARBON	470	5%	1/4W
R368	1-249-441-11	CARBON	100K	5%	1/4W	R469	1-249-425-11	CARBON	4.7K	5%	1/4W
					(EXCEPT AUS)	R501	1-249-417-11	CARBON	1K	5%	1/4W
R368	1-249-437-11	CARBON	47K	5%	1/4W	R502	1-249-441-11	CARBON	100K	5%	1/4W
					(AUS)	R503	1-249-413-11	CARBON	470	5%	1/4W
R369	1-249-417-11	CARBON	1K	5%	1/4W	R504	1-249-440-11	CARBON	82K	5%	1/4W
R370	1-249-425-11	CARBON	4.7K	5%	1/4W	R505	1-249-433-11	CARBON	22K	5%	1/4W
R371	1-249-429-11	CARBON	10K	5%	1/4W	R506	1-249-413-11	CARBON	470	5%	1/4W
R397	1-249-417-11	CARBON	1K	5%	1/4W	R507	1-249-427-11	CARBON	6.8K	5%	1/4W
R398	1-249-425-11	CARBON	4.7K	5%	1/4W	R508	1-247-883-00	CARBON	150K	5%	1/4W
R401	1-249-417-11	CARBON	1K	5%	1/4W	R509	1-249-423-11	CARBON	3.3K	5%	1/4W
R402	1-249-417-11	CARBON	1K	5%	1/4W	R510	1-247-903-00	CARBON	1M	5%	1/4W
R403	1-247-807-31	CARBON	100	5%	1/4W	R511	1-249-441-11	CARBON	100K	5%	1/4W
R404	1-247-807-31	CARBON	100	5%	1/4W	R512	1-249-426-11	CARBON	5.6K	5%	1/4W
R405	1-249-425-11	CARBON	4.7K	5%	1/4W	R513	1-249-441-11	CARBON	100K	5%	1/4W
R406	1-249-425-11	CARBON	4.7K	5%	1/4W	R515	1-249-434-11	CARBON	27K	5%	1/4W
R407	1-249-417-11	CARBON	1K	5%	1/4W	R516	1-249-426-11	CARBON	5.6K	5%	1/4W
R408	1-249-431-11	CARBON	15K	5%	1/4W	R517	1-249-418-11	CARBON	1.2K	5%	1/4W
R409	1-249-407-11	CARBON	150	5%	1/4W	R518	1-249-415-11	CARBON	680	5%	1/4W
R410	1-249-436-11	CARBON	39K	5%	1/4W						

SURR **VIDEO 3** **VIDEO-A**

Ref. No.	Part No.	Description	Remark
R519	1-249-431-11	CARBON	15K 5% 1/4W (EXCEPT AEP,G)
R519	1-249-429-11	CARBON	10K 5% 1/4W (AEP,G)
R521	1-249-417-11	CARBON	1K 5% 1/4W
R523	1-249-438-11	CARBON	56K 5% 1/4W
R524	1-249-413-11	CARBON	470 5% 1/4W
R525	1-249-412-11	CARBON	390 5% 1/4W (EXCEPT AEP,G)
R525	1-247-826-00	CARBON	620 5% 1/4W (AEP,G)
R526	1-249-438-11	CARBON	56K 5% 1/4W
R551	1-249-417-11	CARBON	1K 5% 1/4W
R552	1-249-441-11	CARBON	100K 5% 1/4W
R553	1-249-413-11	CARBON	470 5% 1/4W
R554	1-249-440-11	CARBON	82K 5% 1/4W
R555	1-249-433-11	CARBON	22K 5% 1/4W
R556	1-249-413-11	CARBON	470 5% 1/4W
R557	1-249-427-11	CARBON	6.8K 5% 1/4W
R558	1-247-883-00	CARBON	150K 5% 1/4W
R559	1-249-423-11	CARBON	3.3K 5% 1/4W
R560	1-247-903-00	CARBON	1M 5% 1/4W
R561	1-249-441-11	CARBON	100K 5% 1/4W
R562	1-249-426-11	CARBON	5.6K 5% 1/4W
R563	1-249-441-11	CARBON	100K 5% 1/4W
R565	1-249-434-11	CARBON	27K 5% 1/4W
R566	1-249-426-11	CARBON	5.6K 5% 1/4W
R567	1-249-418-11	CARBON	1.2K 5% 1/4W
R568	1-249-415-11	CARBON	680 5% 1/4W
R569	1-249-431-11	CARBON	15K 5% 1/4W (EXCEPT AEP,G)
R569	1-249-429-11	CARBON	10K 5% 1/4W (AEP,G)
△R592	1-249-397-11	CARBON	22 5% 1/4W F
△R593	1-249-397-11	CARBON	22 5% 1/4W F
R594	1-247-903-00	CARBON	1M 5% 1/4W
R595	1-249-425-11	CARBON	4.7K 5% 1/4W
R596	1-249-419-11	CARBON	1.5K 5% 1/4W
R597	1-249-419-11	CARBON	1.5K 5% 1/4W
R598	1-249-425-11	CARBON	4.7K 5% 1/4W
R599	1-249-417-11	CARBON	1K 5% 1/4W
< TERMINAL >			
TM401	1-537-734-11	TERMINAL BOARD, ANT (ANTENNA) (US,CND)	
TM401	1-537-714-11	TERMINAL BOARD (ANTENNA) (AEP,G,AUS)	
< TUNER >			
TU401	1-693-286-11	TUNER (FCC) (US,CND)	
TU401	1-693-287-11	TUNER (CE) (AEP,G,AUS)	
< VIBRATOR >			
X401	1-579-952-21	VIBRATOR, CERAMIC (8MHz)	

Ref. No.	Part No.	Description	Remark

*	1-656-157-11	VIDEO 3 BOARD (D965)	*****
< CAPACITOR >			
C025	1-162-282-31	CERAMIC	100PF 10% 50V (D965)
C075	1-162-282-31	CERAMIC	100PF 10% 50V (D965)
C299	1-164-159-11	CERAMIC	0.1uF 50V (D965)
< CONNECTOR >			
CNP299	1-770-831-11	CONNECTOR, BOARD TO BOARD 6P (D965)	
< JACK >			
J299	1-770-340-11	JACK BLOCK, PIN (L TYPE) 3P (VIDEO 3) (D965)	
< RESISTOR >			
R005	1-249-417-11	CARBON	1K 5% 1/4W (D965)
R055	1-249-417-11	CARBON	1K 5% 1/4W (D965)
R299	1-249-403-11	CARBON	68 5% 1/4W (D965)

*	1-656-154-11	VIDEO-A BOARD	*****
< CAPACITOR >			
C201	1-124-903-11	ELECT	1uF 20% 50V
C202	1-124-903-11	ELECT	1uF 20% 50V
C203	1-124-903-11	ELECT	1uF 20% 50V
C204	1-124-903-11	ELECT	1uF 20% 50V
C205	1-124-907-11	ELECT	10uF 20% 50V
C206	1-124-907-11	ELECT	10uF 20% 50V
C207	1-124-907-11	ELECT	10uF 20% 50V
C209	1-104-665-11	ELECT	100uF 20% 16V
C211	1-104-665-11	ELECT	100uF 20% 16V
C212	1-164-159-11	CERAMIC	0.1uF 50V
C213	1-164-159-11	CERAMIC	0.1uF 50V
C214	1-164-159-11	CERAMIC	0.1uF 50V
C215	1-164-159-11	CERAMIC	0.1uF 50V
< IC >			
IC201	8-759-061-95	IC SN761200	
< JACK >			
J201	1-695-317-21	JACK, PIN 2P (LD,MONITOR)	
J202	1-766-199-11	JACK, PIN 3P (VIDEO 2,TV)	
J203	1-695-317-21	JACK, PIN 2P (VIDEO 1)	

The components identified by mark △ or dotted line with mark △ are critical for safety. Replace only with part number specified.	Les composants identifiés par une marque △ sont critiques pour la sécurité. Ne les remplacer que par une pièce portant le numéro spécifié.
--	--

Ref. No.	Part No.	Description	Remark
		< COIL >	
L201	1-410-521-11	INDUCTOR 100uH	
L202	1-410-521-11	INDUCTOR 100uH	
		< TRANSISTOR >	
Q201	8-729-119-76	TRANSISTOR 2SA1175-HFE	
Q202	8-729-119-76	TRANSISTOR 2SA1175-HFE	
Q203	8-729-620-05	TRANSISTOR 2SC2603-EF	
Q204	8-729-620-05	TRANSISTOR 2SC2603-EF	
Q205	8-729-620-05	TRANSISTOR 2SC2603-EF	
Q206	8-729-119-76	TRANSISTOR 2SA1175-HFE	
Q207	8-729-620-05	TRANSISTOR 2SC2603-EF	
		< RESISTOR >	
R201	1-249-403-11	CARBON 68 5% 1/4W	
R202	1-249-403-11	CARBON 68 5% 1/4W	
R203	1-249-403-11	CARBON 68 5% 1/4W	
R204	1-249-403-11	CARBON 68 5% 1/4W	
R205	1-249-403-11	CARBON 68 5% 1/4W	
R206	1-249-403-11	CARBON 68 5% 1/4W	
R207	1-249-430-11	CARBON 12K 5% 1/4W	
R208	1-249-419-11	CARBON 1.5K 5% 1/4W	
R209	1-249-426-11	CARBON 5.6K 5% 1/4W	
R210	1-249-403-11	CARBON 68 5% 1/4W	
R211	1-249-403-11	CARBON 68 5% 1/4W	
R212	1-249-430-11	CARBON 12K 5% 1/4W	
R213	1-249-419-11	CARBON 1.5K 5% 1/4W	
R214	1-249-426-11	CARBON 5.6K 5% 1/4W	
R215	1-249-403-11	CARBON 68 5% 1/4W	
R216	1-249-403-11	CARBON 68 5% 1/4W	
R217	1-249-426-11	CARBON 5.6K 5% 1/4W	
R218	1-249-419-11	CARBON 1.5K 5% 1/4W	
R219	1-249-430-11	CARBON 12K 5% 1/4W	
R220	1-247-807-31	CARBON 100 5% 1/4W	
R250	1-249-417-11	CARBON 1K 5% 1/4W	
R251	1-249-429-11	CARBON 10K 5% 1/4W	

*	1-656-155-11	VIDEO-B BOARD *****	
		< CONNECTOR >	
CNJ301	1-695-092-11	SOCKET, CONNECTOR 7P	

*	1-656-152-11	VOL BOARD *****	
		< CONNECTOR >	
CNJ405	1-695-095-11	SOCKET, CONNECTOR 13P	
CNP108	1-770-389-11	PIN, CONNECTOR (PC BOARD) 5P	
CNP406	1-770-390-11	PIN, CONNECTOR (PC BOARD) 6P	

Ref. No.	Part No.	Description	Remark
		< VARIABLE RESISTOR >	
RV401	1-241-816-11	RES, VAR, CARBON 100KX4 (MASTER VOLUME)	

*	1-656-170-11	VS BOARD *****	
		< CONNECTOR >	
CNJ404	1-695-095-11	SOCKET, CONNECTOR 13P	
CNP405	1-695-090-11	PIN, CONNECTOR (PC BOARD) 13P	

		MISCELLANEOUS *****	
10	1-773-718-11	WIRE (FLAT TYPE) (21 CORE)	
15	1-773-709-11	WIRE (FLAT TYPE) (21 CORE)	
△ 66	1-696-847-11	CORD, POWER (AUS)	
△ 66	1-769-743-11	CORD, POWER (US,CND)	
△ 66	1-769-744-11	CORD, POWER (AEP,G)	
△ CNJ906	1-251-078-11	OUTLET, AC. (AUS)	
△ CNJ906	1-526-794-11	OUTLET, AC (AEP,G)	
△ F801	1-532-506-51	FUSE (T6.3AL 250V) (D965:AEP,G,AUS)	
△ F801	1-533-310-11	FUSE, GLASS TUBE6.3A 125V (D865)	
△ F801	1-533-311-11	FUSE, GLASS CYLINDRICAL (DIA.5) (8A 125V) (D965:US,CND)	
△ F802	1-532-506-51	FUSE (T6.3AL 250V) (D965:AEP,G,AUS)	
△ F802	1-533-310-11	FUSE, GLASS TUBE6.3A 125V (D865)	
△ F802	1-533-311-11	FUSE, GLASS CYLINDRICAL (DIA.5) (8A 125V) (D965:US,CND)	
△ F803	1-532-465-51	FUSE, TIME LAG (T3.15AL 250V) (D965:AEP,G,AUS)	
△ F803	1-533-419-11	FUSE, GLASS CYLINDRICAL (DIA.5) (4A 125V) (D965:US,CND)	
△ F803	1-576-107-11	FUSE (3.15A 125V) (D865)	
△ F804	1-532-465-51	FUSE, TIME LAG (T3.15AL 250V) (D965:AEP,G,AUS)	
△ F804	1-533-419-11	FUSE, GLASS CYLINDRICAL (DIA.5) (4A 125V) (D965:US,CND)	
△ F804	1-576-107-11	FUSE (3.15A 125V) (D865)	
△ F901	1-532-465-51	FUSE, TIME LAG (T3.15AL 250V) (D965:AEP,G,AUS)	
△ F901	1-533-310-11	FUSE, GLASS TUBE6.3A 125V (D865)	
△ F901	1-533-311-11	FUSE, GLASS CYLINDRICAL (DIA.5) (8A 125V) (D965:US,CND)	
△ F902	1-532-464-51	FUSE (T2.5AL 250V) (D965:AEP,G,AUS)	
△ T901	1-427-726-11	TRANSFORMER, POWER (D965:US)	
△ T901	1-427-727-11	TRANSFORMER, POWER (D965:CND)	
△ T901	1-427-728-11	TRANSFORMER, POWER (D965:AEP,G)	
△ T901	1-427-729-11	TRANSFORMER, POWER (D865)	
△ T901	1-427-908-11	TRANSFORMER, POWER (D965:AUS)	

The components identified by mark △ or dotted line with mark △ are critical for safety. Replace only with part number specified.	Les composants identifiés par une marque △ sont critiques pour la sécurité. Ne les remplacer que par une pièce portant le numéro spécifié.
---	---

Ref. No.	Part No.	Description	Remark
		ACCESSORIES & PACKING MATERIALS *****	
	1-473-068-21	COMMANDER, STANDARD (RM-P351) (D865:CND,D965)	
	1-473-070-21	COMMANDER, STANDARD (RM-U251)(D865:US)	
	1-501-374-11	ANTENNA, LOOP	
	1-501-594-11	ANTENNA (FM)(AEP,G,AUS)	
	1-501-721-11	ANTENNA (LOOP)	
	3-798-892-11	MANUAL, INSTRUCTION (ENGLISH,FRENCH,GERMAN,DUTCH) (AEP)	
	3-798-892-21	MANUAL, INSTRUCTION (ENGLISH) (US,CND)	
	3-798-892-31	MANUAL, INSTRUCTION (FRENCH) (CND)	
	3-798-892-41	MANUAL, INSTRUCTION (SPANISH,SWEDISH, DANISH,FINNISH,POLISH)(AEP)	
	3-798-892-51	MANUAL, INSTRUCTION (GERMAN) (G)	
	3-798-892-61	MANUAL, INSTRUCTION (ENGLISH) (AUS)	
	4-925-079-11	COVER (6), BATTERY (FOR REMOTE COMMANDER)	
*	4-952-676-01	CUSHION	
*	4-975-572-01	INDIVIDUAL CARTON (D965:US,CND,AUS)	
*	4-975-573-01	INDIVIDUAL CARTON (D965:AEP,G)	
*	4-975-574-01	INDIVIDUAL CARTON (D865)	

HARDWARE LIST

#1	7-685-872-09	SCREW +BVTT 3X8 (S)
#2	7-682-548-04	SCREW +BVTT 3X8 (S)
#3	7-685-646-79	SCREW +BVTP 3X8 TYPE2 N-S