

STR-D550Z/D650Z/DE605/DE705

SERVICE MANUAL

US Model
STR-D550Z/D650Z/DE605/DE705

Canadian Model
STR-D650Z/DE605/DE705

Australian Model

E Model
STR-DE705

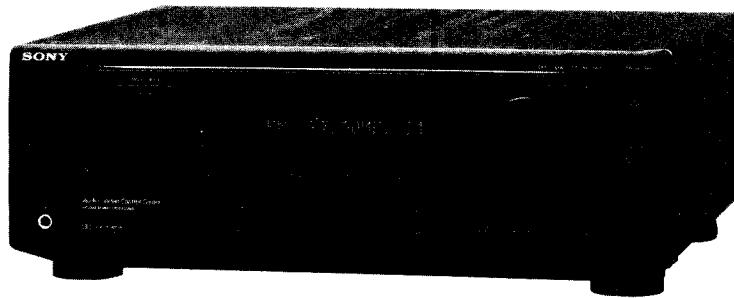



Photo : STR-DE705

Manufactured under license from Dolby Laboratories Licensing Corporation.
"DOLBY" and the double-D symbol  are trademarks of Dolby Laboratories Licensing Corporation.

SPECIFICATIONS

Audio power specifications

POWER OUTPUT AND TOTAL HARMONIC DISTORTION

With 8-ohm load, both channels driven, from 20 - 20,000 Hz, STR-DE705/STR-D650Z rated 120 watts, STR-DE605/STR-D550Z rated 100 watts per channel, minimum RMS power, with no more than 0.3 % total harmonic distortion from 250 milliwatts to rated output. (US model only)

Amplifier section

POWER OUTPUT

Stereo mode 8 ohms 20 Hz - 20 kHz,
STR-DE705/STR-D650Z:
120 W + 120 W
STR-DE605/STR-D550Z:
100 W + 100 W

Surround mode	8 ohms at 1 kHz, THD 0.8 %	
	STR-DE705 STR-D650Z	STR-DE605 STR-D550Z
Front	120 W/ch	100 W/ch
Center (only in the DOLBY SUR and THEATER modes)	120 W	100 W
Rear	50 W/ch	50 W/ch
Dynamic power output	STR-DE705/STR-D650Z: 160 W + 160 W, 8 ohms 225 W + 225 W, 4 ohms STR-DE605/STR-D550Z: 155 W + 155 W, 8 ohms 220 W + 220 W, 4 ohms	
Harmonic distortion at rated output	Less than 0.3 %	

Frequency response

PHONO: RIAA equalization curve ± 0.5 dB
CD, TAPE, DAT/MD, VIDEO 1, 2:
10 Hz - 50 kHz ± 0.5 dB

Inputs

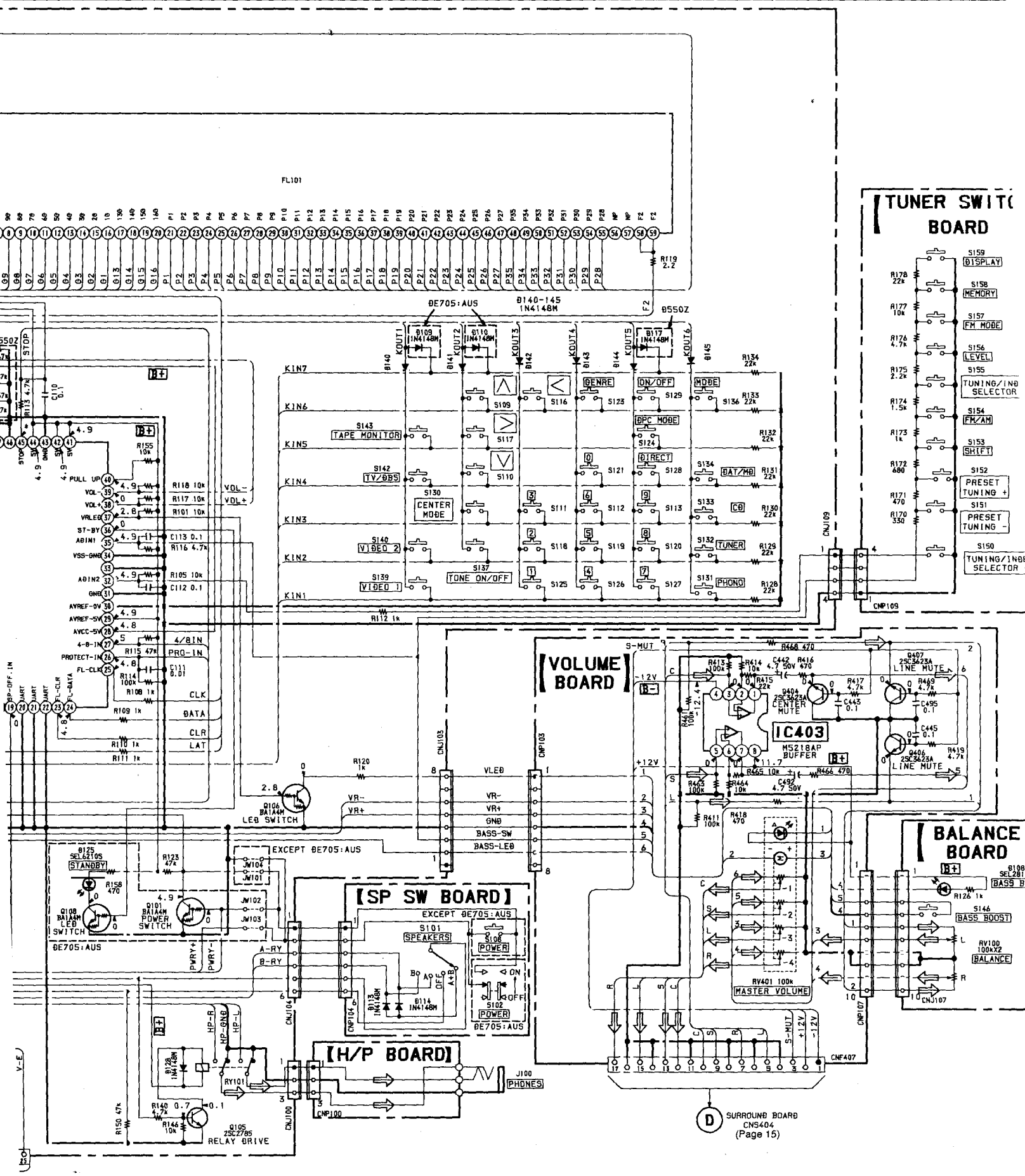
	Sensitivity	Impedance	S/N (weighting network, input level)
PHONO (MM)	2.5 mV	50 kilohms	75 dB** (A, 2.5 mV)
CD	200 mV		
TAPE, DAT/MD, VIDEO 1, 2, TV	150 mV	50 kilohms	82 dB** (A, 250 mV)

** 178 IHF

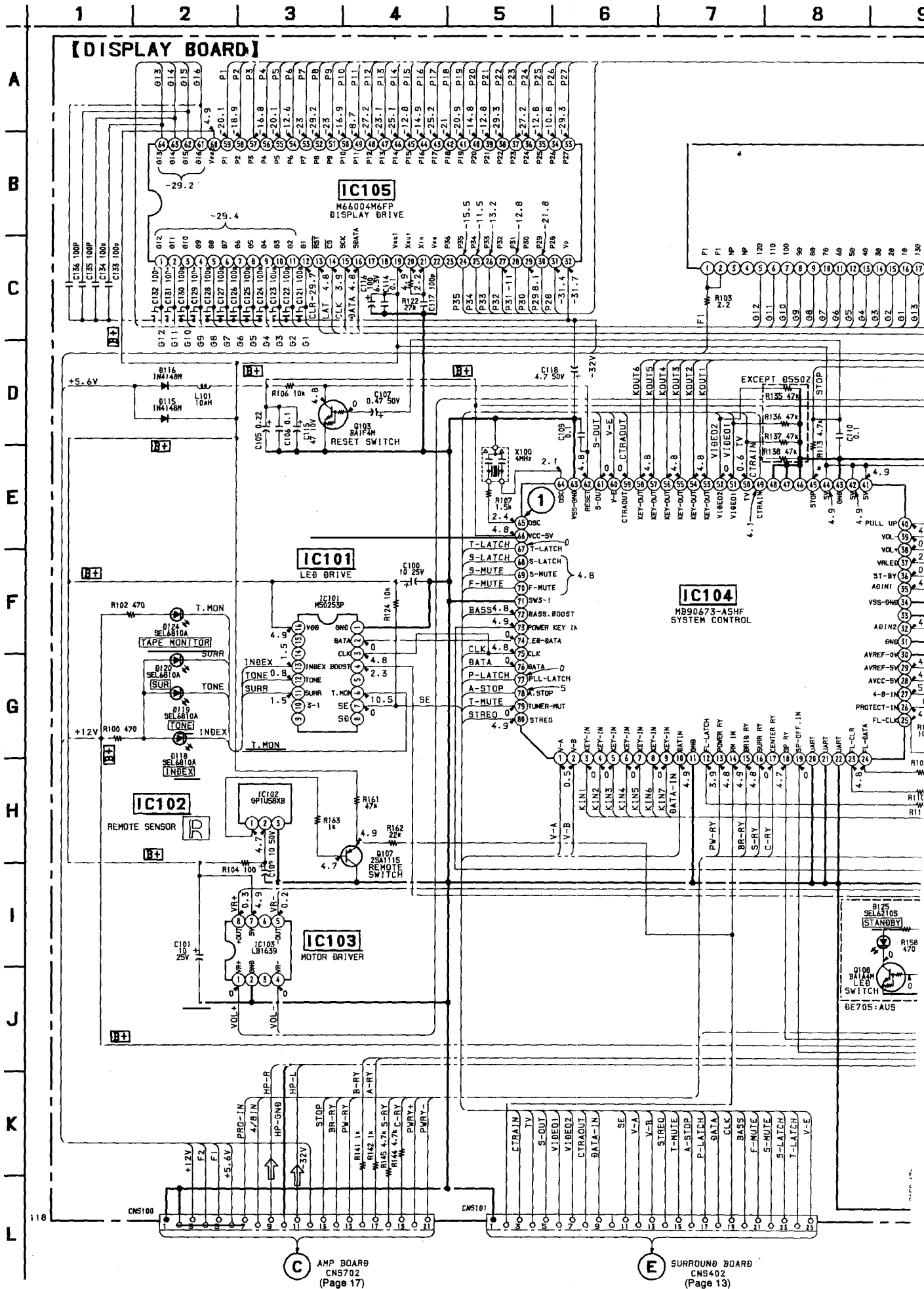
— Continued on page 2 —

FM STEREO/FM-AM RECEIVER
SONY®





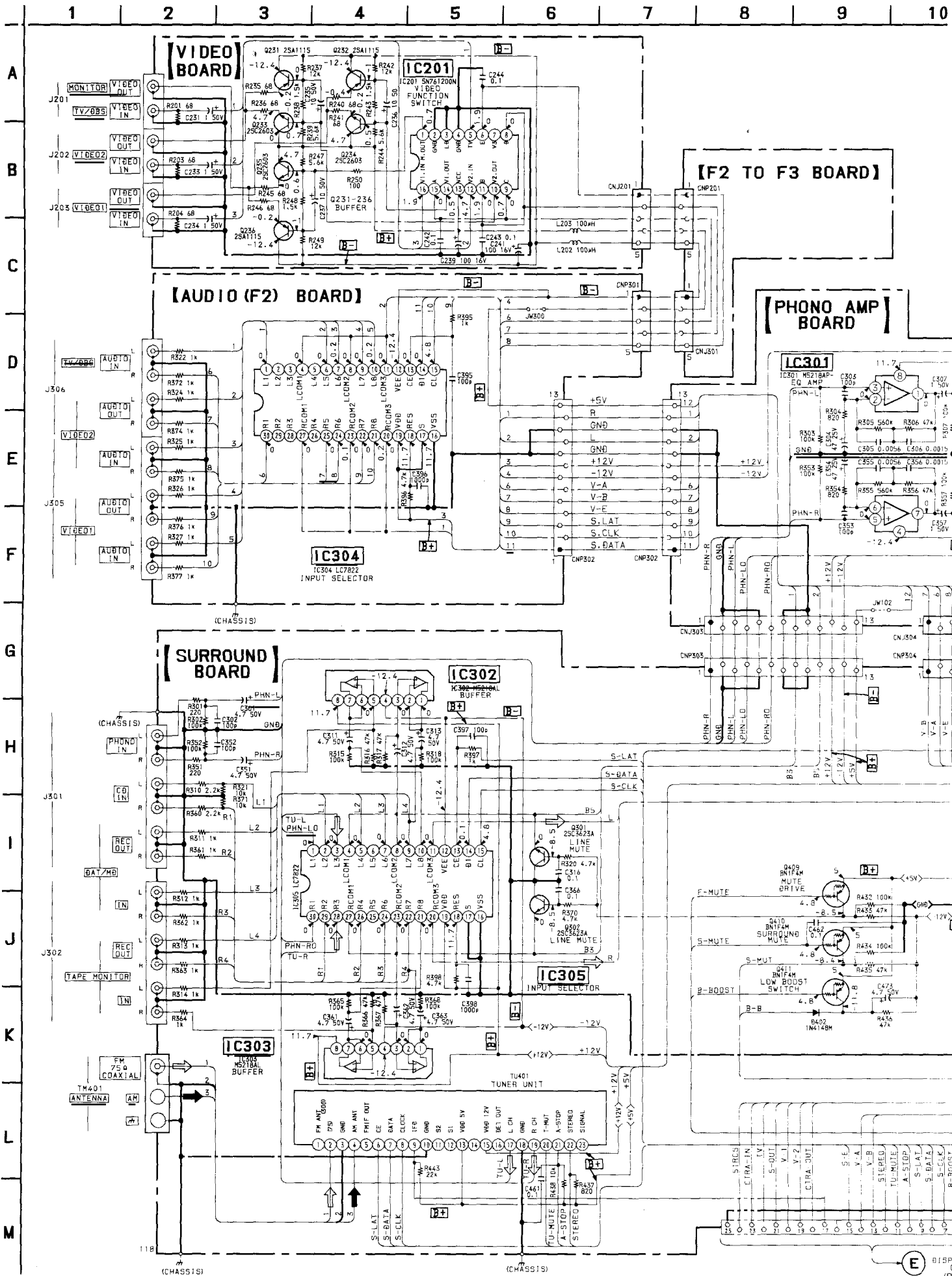
3-6. SCHEMATIC DIAGRAM (DISPLAY SECTION)



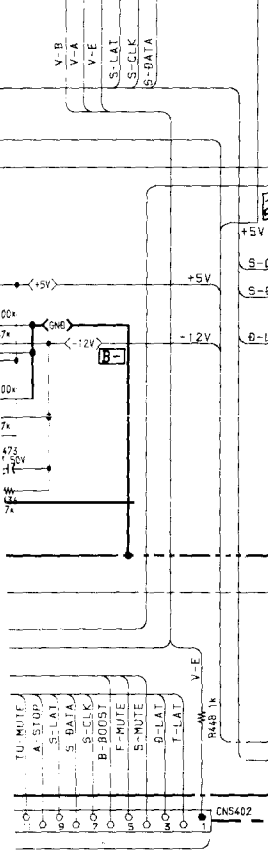
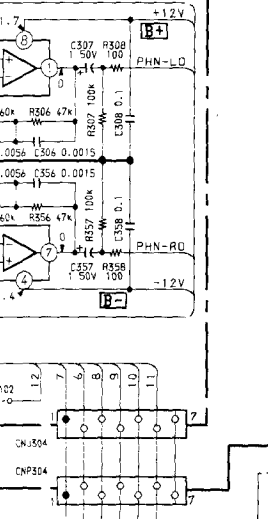
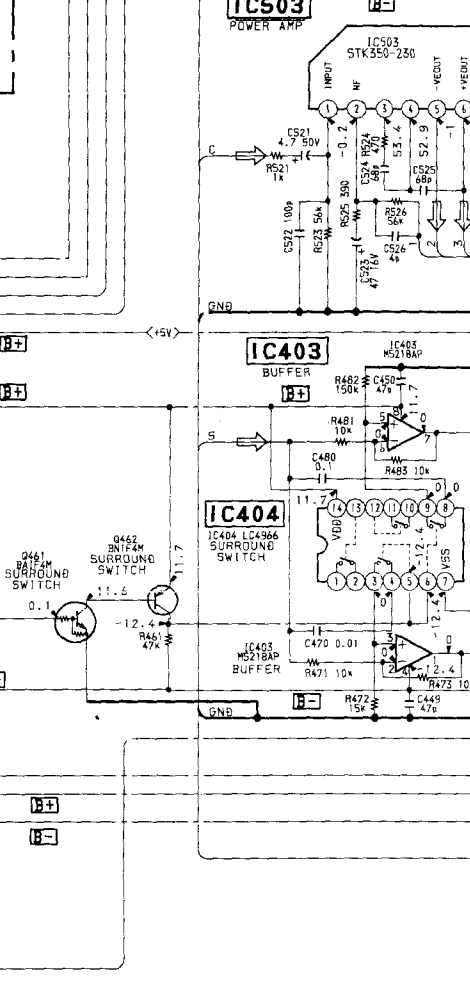
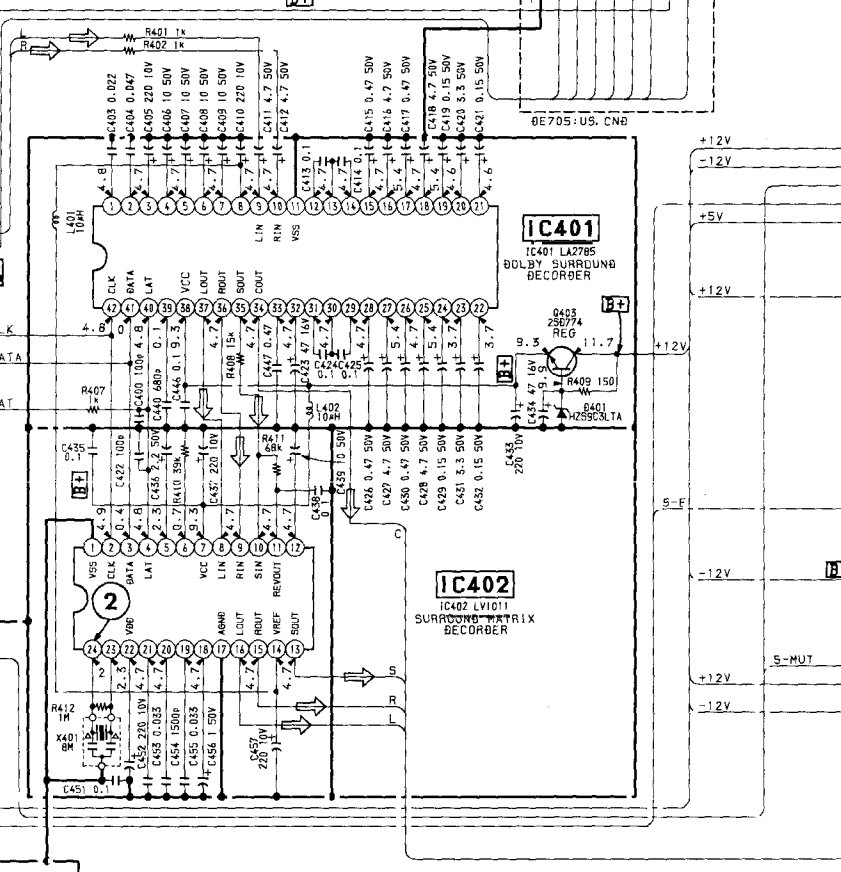
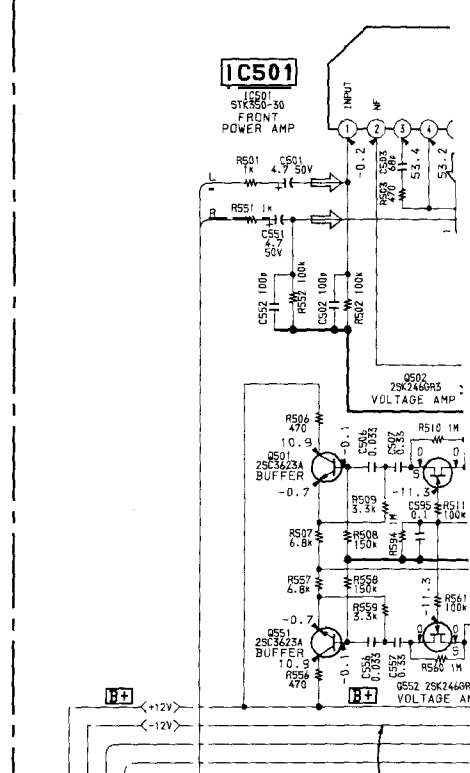
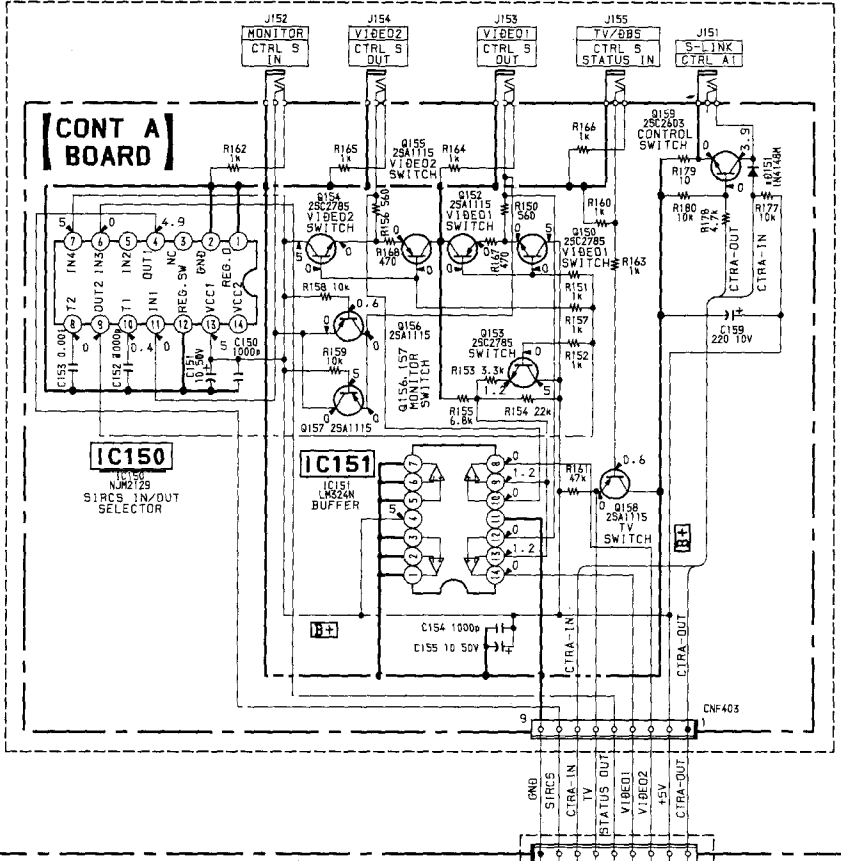
noted, pF: $\mu\mu\text{F}$
electrolytics and
otherwise
to ground under
edance 10M Ω).
ormal production
ormal production

3-3. SCHEMATIC DIAGRAM (SURROUND SECTION)

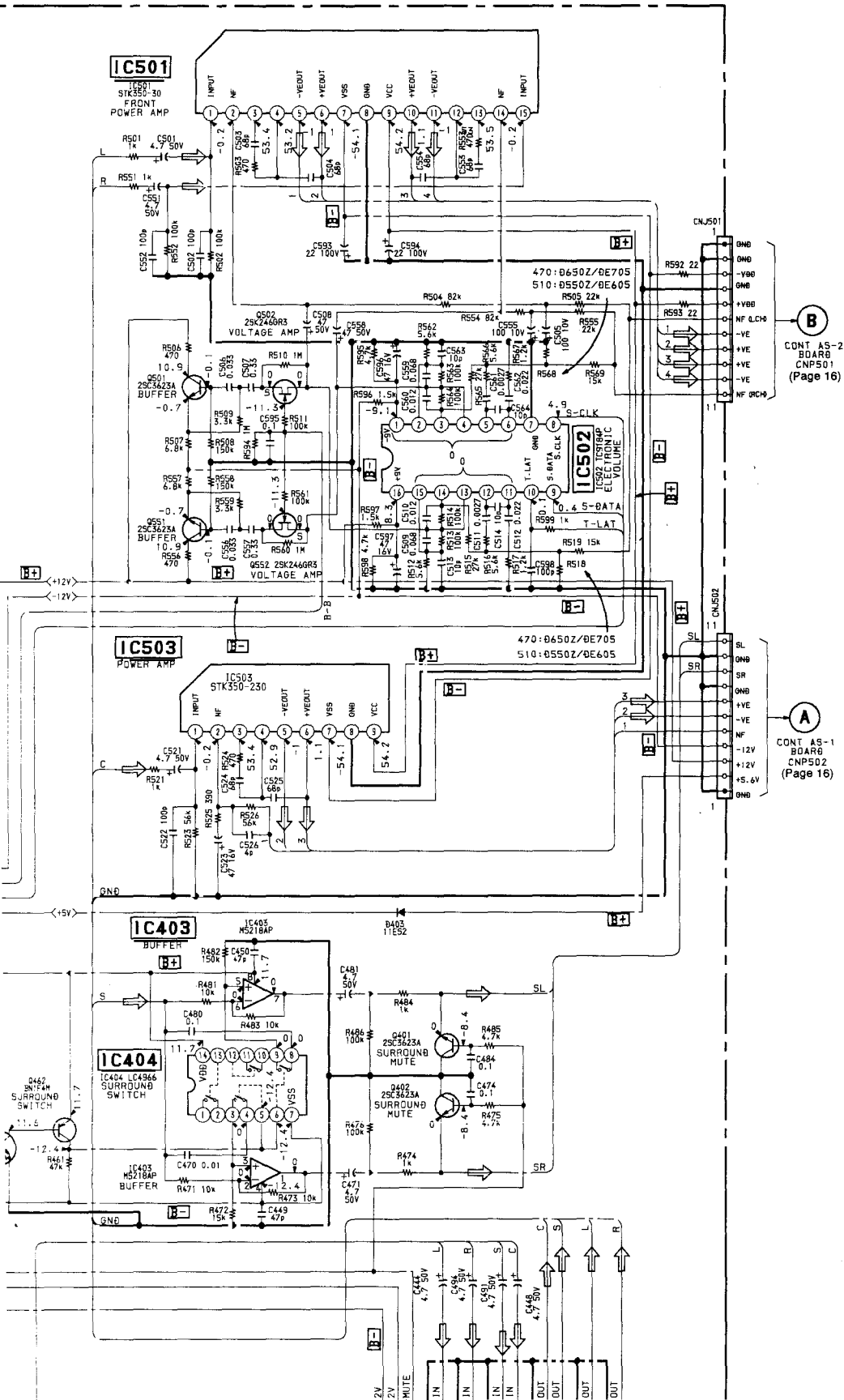
• Refer to page 30 for IC Block Diagrams.



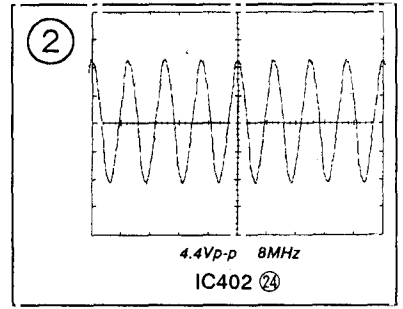
DE705:US. CNB



DISPLAY BOARD
CNS101
(Page 25)



● WAVEFORM

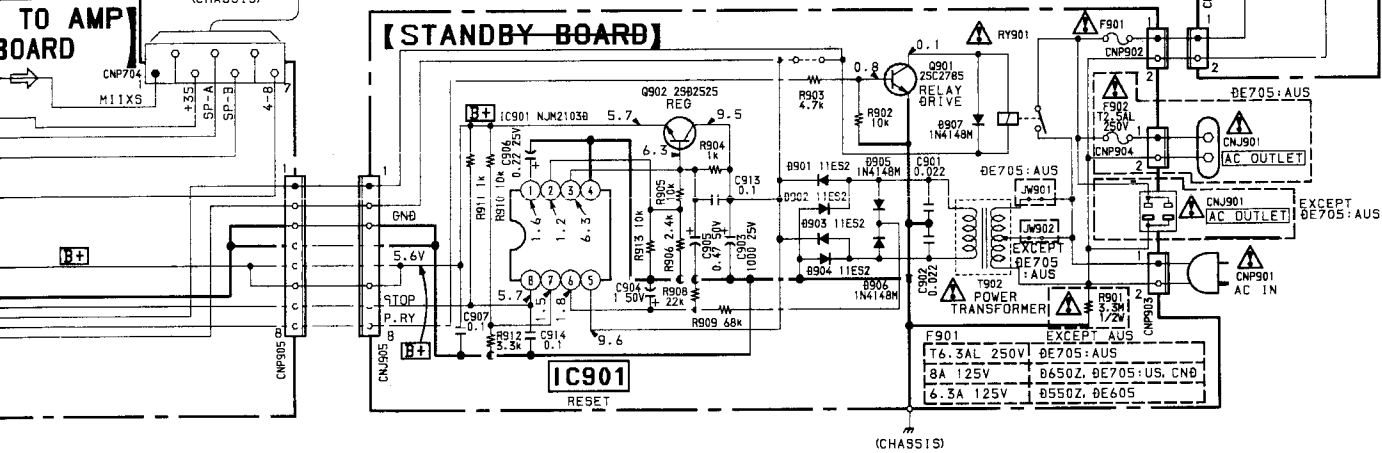
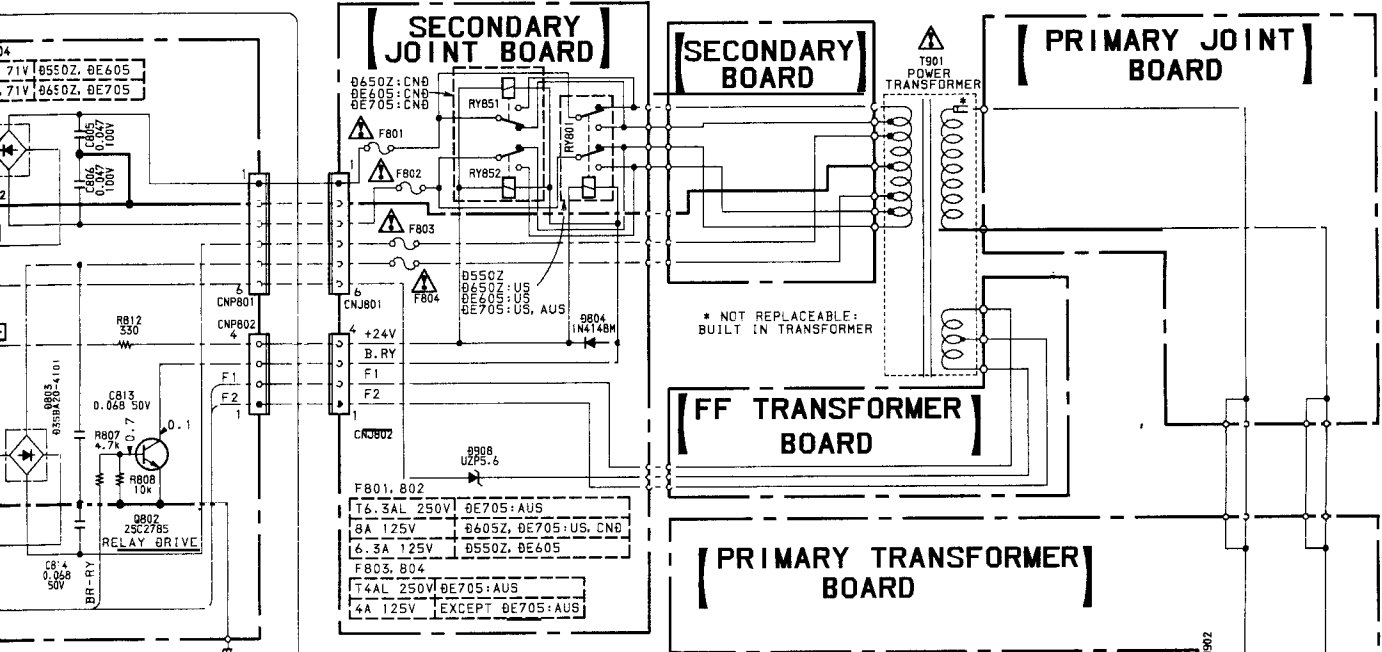
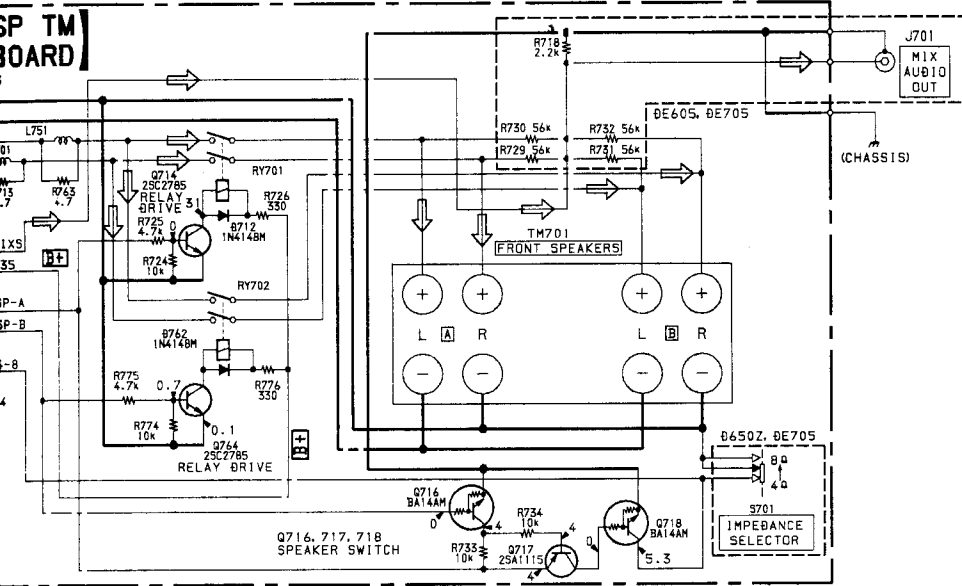


B
CONT AS-2
BOARD
CNP501
(Page 16)

A
CONT AS-1
BOARD
CNP502
(Page 16)

Note :

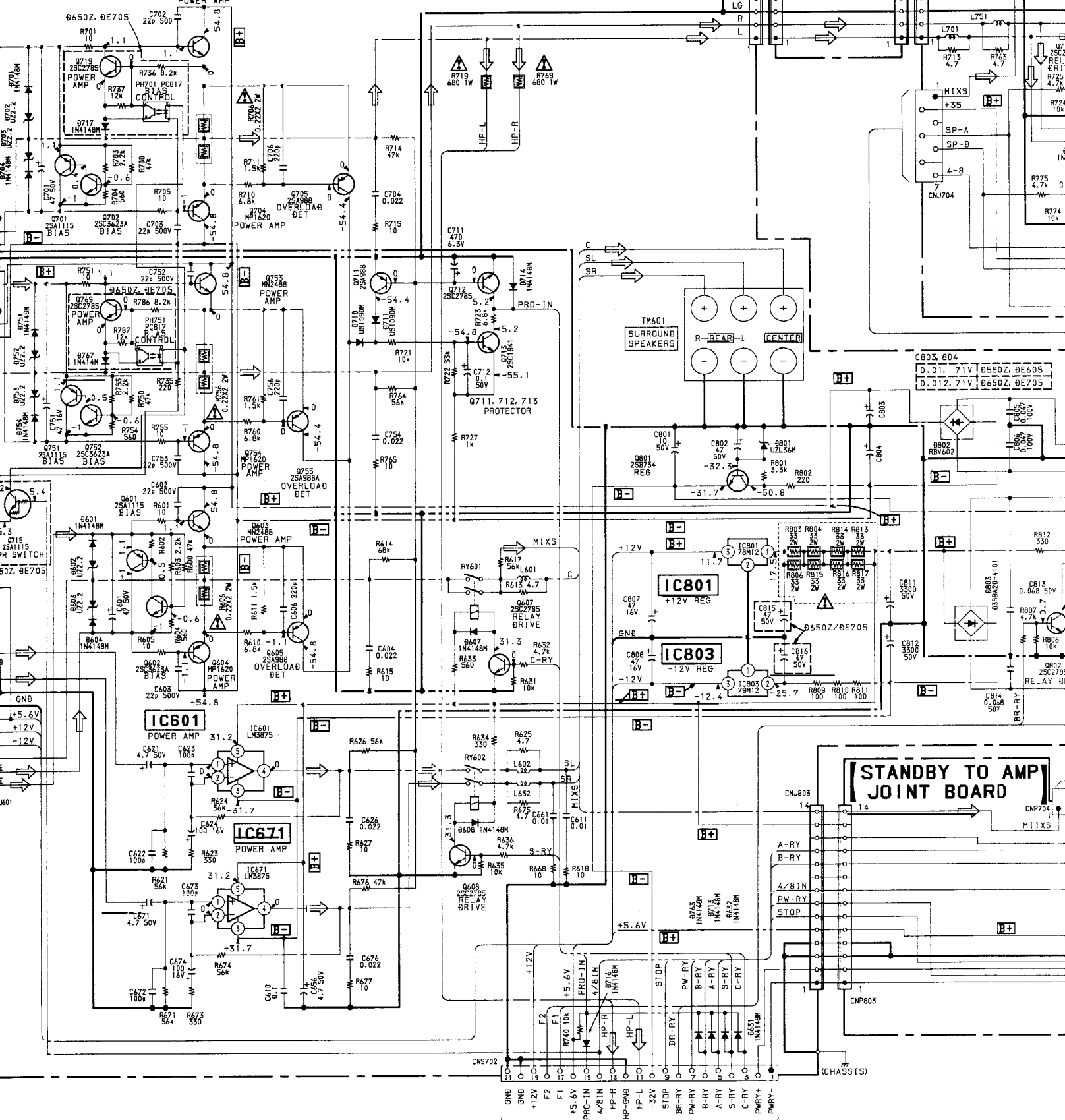
- All capacitors are in μF unless otherwise noted. pF: μF 50WV or less are not indicated except for electrolytics and tantalums.
- All resistors are in Ω and $\frac{1}{4}W$ or less unless otherwise specified.
- Δ : internal component.
- \square : panel designation.
- **B+** : B+ Line
- **B-** : B- Line
- Voltage and waveforms are dc with respect to ground and no-signal conditions.
no mark : TUNER
- Voltages are taken with a VOM (Input impedance 10M Ω)
Voltage variations may be noted due to normal production tolerances.
- Waveforms are taken with a oscilloscope.
Voltage variations may be noted due to normal production tolerances.
- Circled numbers refer to waveforms.
- Signal path.
 - \Rightarrow : FM
 - \blacktriangleright : AM



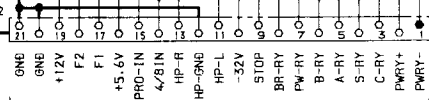
AMP BOARD

[SP JOINT BOARD]

[SP TM BOARD]



[STANDBY TO AMP JOINT BOARD]



① DISPLAY BOARD
CNS100
(Page 25)