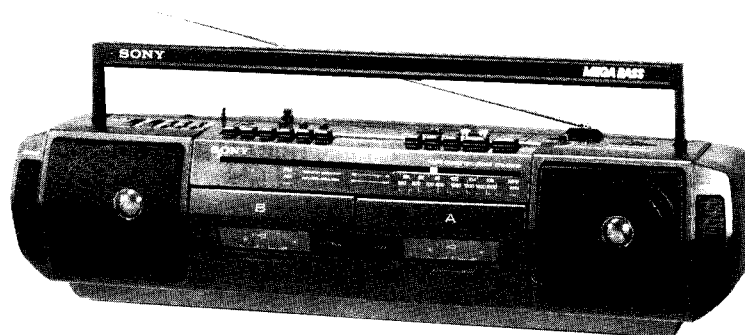


# SERVICE MANUAL

*US Model  
Canadian Model*



## SPECIFICATIONS

### AUDIO POWER SPECIFICATIONS

Full-range speakers:  
With 3.2 ohms loads, both channels driven from 300–10,000 Hz; rated 1.7 watts per channel minimum RMS power, with no more than 10% total harmonic distortion in AC operation.

Super woofer:  
With 4 ohm load, driven from 50–300 Hz; rated 5 watts minimum RMS power, with no more than 10% total harmonic distortion in AC operation.

### OTHER SPECIFICATIONS

Frequency range	FM 87.6–108 MHz AM 530–1605 kHz
Antennas	FM: Telescopic antenna AM: Built-in ferrite bar
Recording system	4-track, 2-channel stereo
Frequency response	80–10,000 Hz
Speakers	Full-range: 10 cm (4 inches) dia. × 2 Super woofer: 7.7 cm (3 inches) dia. × 1

Tape Transport Mechanism Type	MF-DW30PB-75D (DECK-A) MF-DW30RP-75D (DECK-B)
Similar Mechanism Set	CFS-W501

### Power outputs (Canada model)

	Full-range speakers: 2W+2W Super woofer: 6W (at 10% harmonic distortion) in DC operation
Inputs	MIX MIC input jack (mono minijack) (1) sensitivity 3.88 mV for low impedance microphone LINE IN jack (stereo phono) (2) input impedance 68 kilohms, sensitivity 0.44 V
Outputs	Headphones jack (stereo minijack) for 8–300 ohm impedance headphones
Power requirements	120 V AC, 60 Hz
Power consumption	9 V DC, six size D (R20) batteries 24 W in AC operation (USA model) 27 W in AC operation (Canada model)
Battery life	Batteries Sony New Super SUM-1 (NS) Approx. 7 hours Sony AM1 alkaline Approx. 11 hours
Dimensions	Approx. 604 × 149 × 181 (w/h/d) 23 <sup>7</sup> / <sub>8</sub> × 5 <sup>7</sup> / <sub>8</sub> × 7 <sup>1</sup> / <sub>4</sub> not incl. projecting parts and controls
Weight	Approx. 50 kg (11 lb) incl. batteries
Accessory supplied	AC power cord (1)



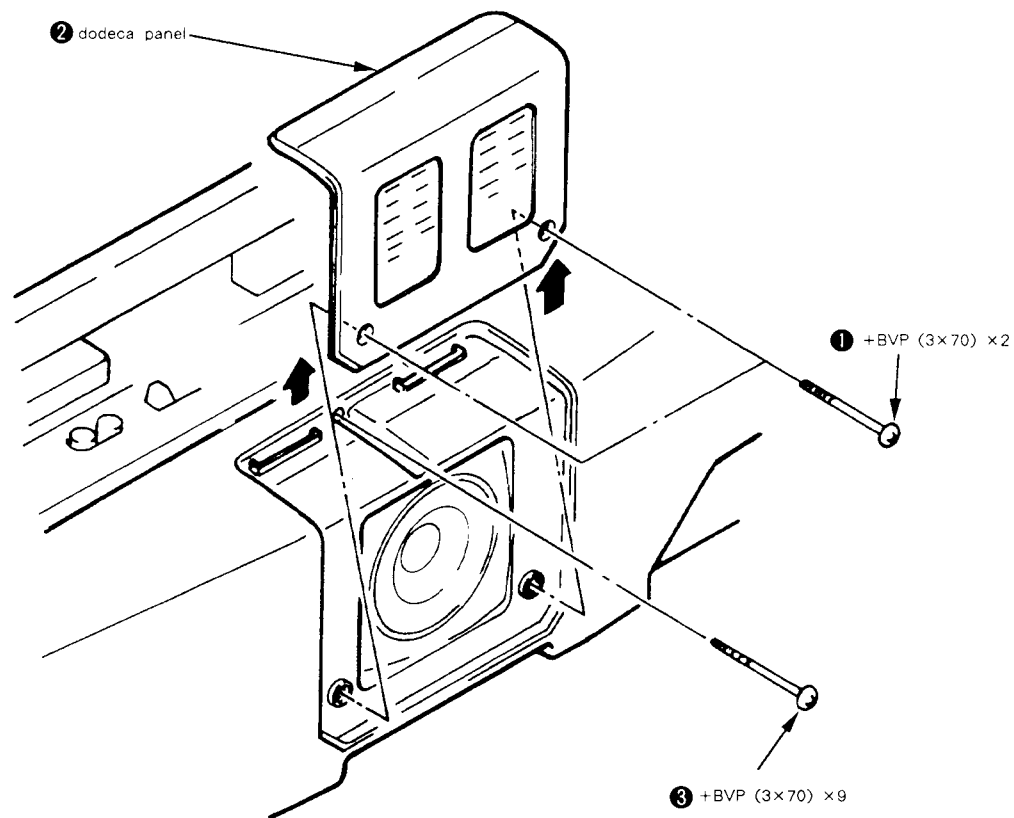
**RADIO CASSETTE-CORDER**  
**SONY®**

## SECTION 2 DISASSEMBLY

**Note:** Follow the disassembly procedure in the numerical order given.

### FRONT CABINET REMOVAL

- (1) Remove screws ① (2pcs) and then dodeca panel ②.
- (2) Remove screw ③ and other screws (8pcs).



## SECTION 3 MECHANICAL ADJUSTMENTS

### PRECAUTION

1. Clean the following parts with a denatured-alcohol-moistened swab :
 

record/playback head	Pinch roller
erase head	rubber belts
capstan	idlers
2. Demagnetize the record/playback head with a head demagnetizer.
3. Do not use a magnetized screwdriver for the adjustments.
4. After the adjustments, apply suitable locking compound to the parts adjusted.
5. The adjustments should be performed with the rated power supply voltage unless otherwise noted.

### 3-1. Torque Measurement (DECK-A)

Torque	Torque meter	Meter reading
FWD	CQ-102C	25-50g·cm (0.35-0.7 oz·inch)
FWD Back Tension		2-5g·cm (0.03-0.07 oz·inch)
FF	CQ-201B	65-110g·cm (0.9-1.53 oz·inch)
REW		65-110g·cm (0.9-1.53 oz·inch)

### Tape Tention Measurement

Mode	Torque meter	Meter reading
FWD	CQ-403A	more than 170g (more than 6 oz)

### 3-2. Torque Measurement (DECK-B)

Torque	Torque meter	Meter reading
FWD	CQ-102C	25-50g·cm (0.35-0.7 oz·inch)
FWD Back Tension		2-5g·cm (0.03-0.07 oz·inch)
FF	CQ-201B	65-110g·cm (0.9-1.53 oz·inch)
REW		65-110g·cm (0.9-1.53 oz·inch)

### Tape Tention Measurement

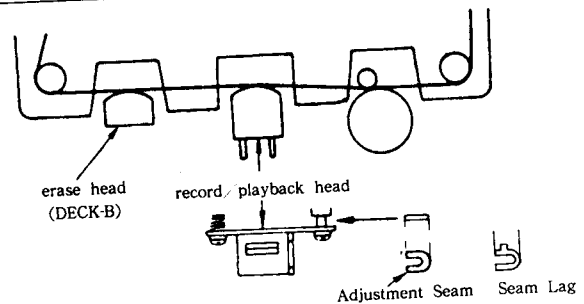
Mode	Torque meter	Meter reading
FWD	CQ-403A	more than 170g (more than 6 oz)

### 3-3. Tape Path Adjustment

#### Procedure :

1. Insert the monitor cassette (CQ-009C).
2. Mode : Deck-A-FWD, Deck-B-REC  
Adjust RWD tape guide nuts and adjustment shims for no tape curl.
3. Mode : REV  
Adjust REV tape guide nuts and adjustment shims for no tape curl.
4. After the adjustments, apply suitable locking compound to the parts adjusted.

#### DECK-A/DECK-B



#### Adjustment Seam

- 3-578-138-01 (t=0.1)
- 3-578-138-11 (t=0.2)
- 3-578-138-21 (t=0.3)

#### Seam Lug

- 3-331-108-01 (t=0.1)
- 3-331-108-11 (t=0.2)
- 3-331-108-21 (t=0.3)
- 3-331-108-31 (t=0.4)
- 3-331-108-41 (t=0.5)

## SECTION 4 ELECTRICAL ADJUSTMENTS

### 4-1. TAPE RECORDER SECTION

- The adjustments should be performed in the order given in this service manual. (As a general rule, playback circuit adjustment should be completed before performing recording circuit adjustment.)
- The adjustments should be performed for both L-CH and R-CH.
  - Switches and controls should be set as follows unless otherwise specified.  
 FUNCTION.....TAPE (RADIO OFF)  
 BASS BOOST.....MIN  
 GRAPHIC EQUALIZER Knob.....MID  
 VOLUME.....MIN
  - Standard Record :  
 Deliver the standard input signal level to the input jack and set the VOLUME control to obtain the standard output signal level.

• Standard Input Level

	MIX MIC	LINE IN
Source impedance	300 Ω	10k Ω
Input level	0.78mV (-60dB)	0.43V (-5dB)

• Standard Output Level

Output terminal	PHONES	Speaker SP901,902	Speaker SP903
Load impedance	32 Ω	3.2 Ω	4 Ω
Output level	0.25V (-10dB)	0.775V (0dB)	0.775V (0dB)

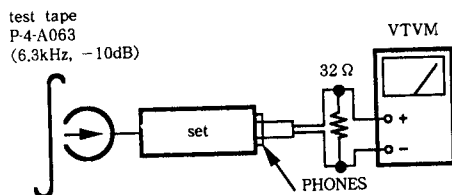
Test tape

Type	Signal	Used for
P-4-A063	6.3kHz, -10dB	Azimuth Adjustment
WS-48A	3kHz, 0dB	Tape Speed Adjustment

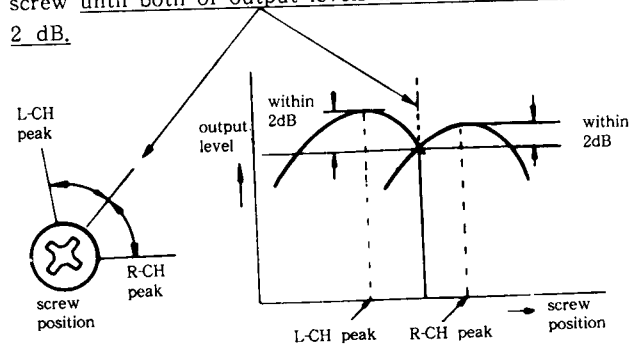
#### 4-1-1. Record/playback Head Azimuth Adjustment

Procedure :

- Mode : FWD playback

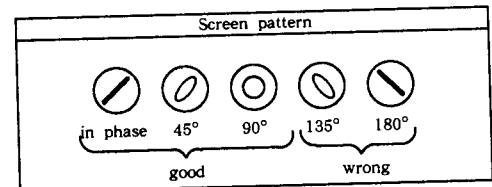
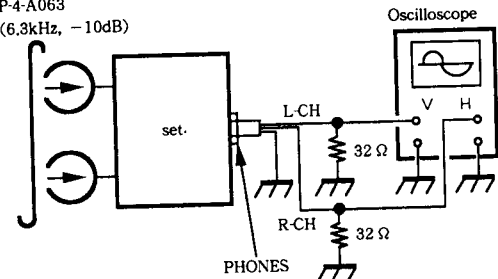


- Turn the adjustment screw for the maximum output levels. If these levels do not match, turn the adjustment screw until both of output levels match together within 2 dB.

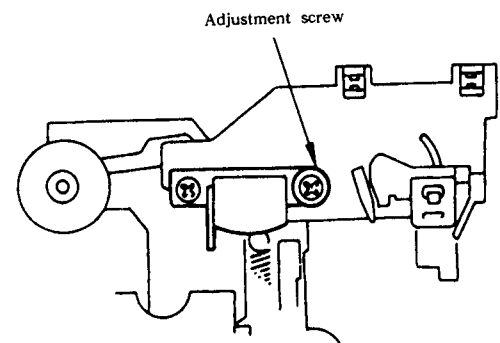


- Phase Check  
Mode : playback

test tape  
P-4-A063  
(6.3kHz, -10dB)



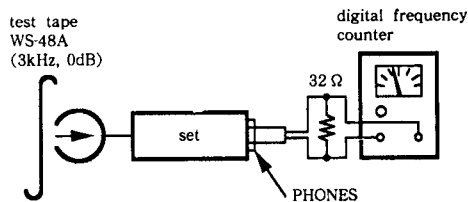
#### DECK-A / DECK-B



4-1-2. Tape Speed Adjustment **DECK-A/DECK-B**

**Procedure :**

Mode : FWD playback



Specification (in the middle of the tape)

	Frequency counter
High speed	5,970±10Hz
Normal speed	2,985±5Hz

Frequency difference between the beginning and the end of the tape should be within 1%.

1. Short the CNP10. (It results in high speed mode.)
2. Insert WS-48A in deck and put into playback mode.
3. Adjust adjustment element for the specified reading on the frequency counter.

**Adjustment element :**

DECK-A.....RV301

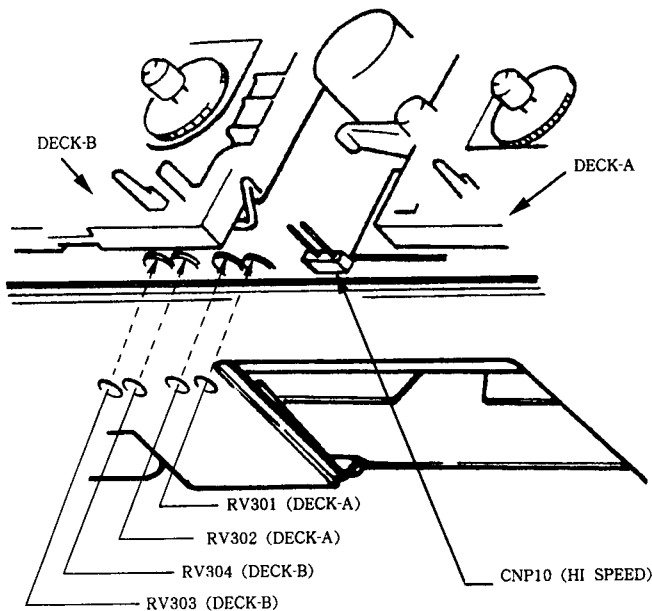
DECK-B.....RV304

4. Open CNP10 in step 1.(It results in normal speed mode.)
5. Insert WS-48A in deck and put into playback mode.
6. Adjust adjustment element for the specified reading on the frequency counter.

**Adjustment element :**

DECK-A.....RV302

DECK-B.....RV303



4-1-3. Record Bias Adjustment **DECK-B**

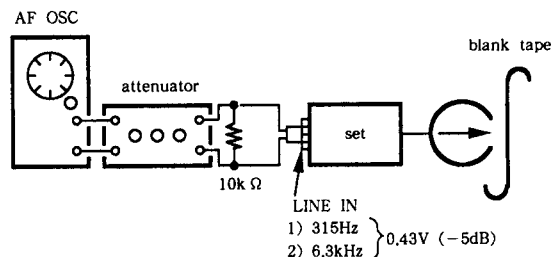
**Setting :**

TONE : mechanical mid

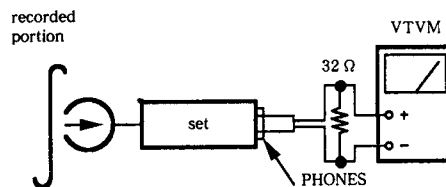
FUNCTION : TAPE (RADIO OFF)

**Procedure :**

1. Mode : record



2. Mode : playback

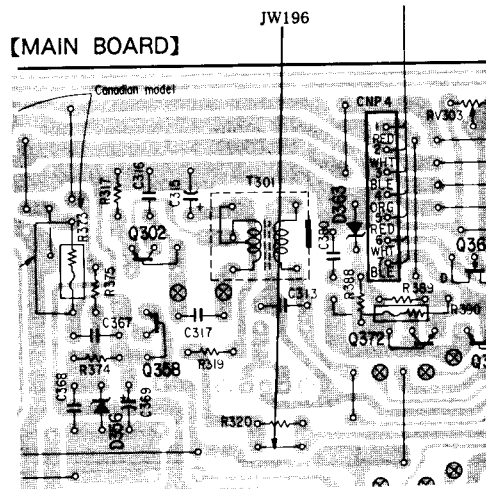


Confirm that the 6.3kHz playback signal level is 0±3dB relative to the 315Hz signal.

If necessary,adjust by connecting or disconnecting JW196.

Pattern connection	6.3kHz VTVM reading
disconnected (R320 out)	up
connected (R320 in)	down

**Adjustment Location : MAIN board**



# CFS-DW30

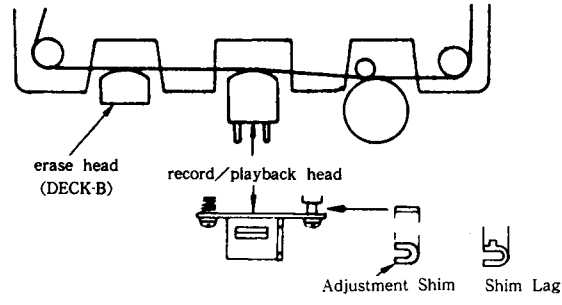
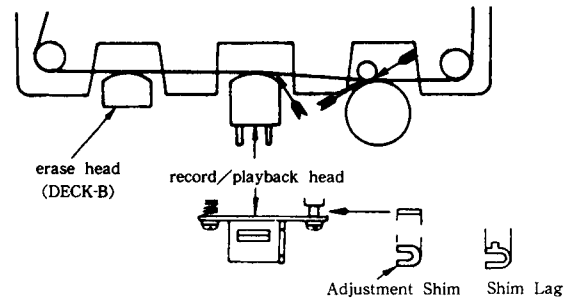


## SONY SERVICE MANUAL

US Model  
Canadian Model

### CORRECTION-1

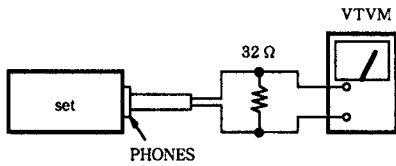
File this Correction with the Service manual.

 : Corrected portion

Page	INCORRECT	CORRECT																								
6	<p><b>3-3. Tape Path Adjustment</b></p> <p><b>Procedure :</b></p> <ol style="list-style-type: none"> <li>1. Insert the monitor cassette (CQ-009C).</li> <li>2. Mode : Deck-A - FWD, Deck-B - REC Adjust RWD tape guide nuts and adjustment shims for no tape curl.</li> <li>3. Mode : REV Adjust REV tape guide nuts and adjustment shims for no tape curl.</li> <li>4. After the adjustments, apply suitable locking compound to the parts adjusted.</li> </ol> <p><b>DECK-A/DECK-B</b></p> 	<p><b>3-3. Head Height Adjustment</b></p> <p><b>Procedures :</b></p> <ol style="list-style-type: none"> <li>1. DECK-A : PB DECK-B : REC</li> <li>2. Test Cassette : CQ-009C</li> <li>3. Viewing from the front, adjust the head heights to eliminate tape curl and tape twist at portions of arrow. If a satisfying result is not provided with only turning the screws, change the adjustment shim or the shim lug.</li> </ol> <p><b>DECK-A/DECK-B</b></p> 																								
9	<p><b>FM ADJUSTMENT</b></p> <table border="1"> <tr> <td colspan="2">FM IF ADJUSTMENT (1)</td> </tr> <tr> <td colspan="2">Adjust for a maximum reading on VTVM.</td> </tr> <tr> <td>T1</td> <td>10.7MHz</td> </tr> </table> <table border="1"> <tr> <td colspan="2">FM IF ADJUSTMENT (2)*</td> </tr> <tr> <td colspan="2">Adjust for a maximum distortion.</td> </tr> <tr> <td>T2</td> <td>10.7MHz</td> </tr> </table>	FM IF ADJUSTMENT (1)		Adjust for a maximum reading on VTVM.		T1	10.7MHz	FM IF ADJUSTMENT (2)*		Adjust for a maximum distortion.		T2	10.7MHz	<p><b>FM ADJUSTMENT</b></p> <table border="1"> <tr> <td colspan="2">FM IF ADJUSTMENT (1)</td> </tr> <tr> <td colspan="2">Adjust for a maximum reading on VTVM.</td> </tr> <tr> <td>T1</td> <td>10.7MHz</td> </tr> </table> <table border="1"> <tr> <td colspan="2">FM IF ADJUSTMENT (2)*</td> </tr> <tr> <td colspan="2">Adjust for a minimum distortion.</td> </tr> <tr> <td>T2</td> <td>10.7MHz</td> </tr> </table>	FM IF ADJUSTMENT (1)		Adjust for a maximum reading on VTVM.		T1	10.7MHz	FM IF ADJUSTMENT (2)*		Adjust for a minimum distortion.		T2	10.7MHz
FM IF ADJUSTMENT (1)																										
Adjust for a maximum reading on VTVM.																										
T1	10.7MHz																									
FM IF ADJUSTMENT (2)*																										
Adjust for a maximum distortion.																										
T2	10.7MHz																									
FM IF ADJUSTMENT (1)																										
Adjust for a maximum reading on VTVM.																										
T1	10.7MHz																									
FM IF ADJUSTMENT (2)*																										
Adjust for a minimum distortion.																										
T2	10.7MHz																									
32	L1 1-422-317-11 COIL, VHF	L1 1-422-317-21 COIL, VHF																								
34	T801 Δ1-449-199-11 TRANSFORMER, POWER	<p>T801 Δ1-449-199-11</p> <p> (US) . . . . . TRANSFORMER, POWER</p> <p>T801 Δ1-449-350-11</p> <p> (Canadian) . . . . . TRANSFORMER, POWER</p>																								

4-2. Radio Section

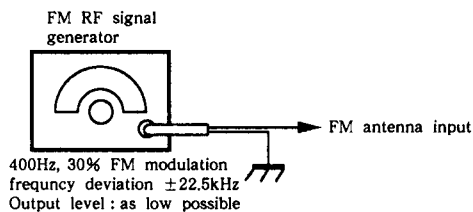
Procedure :



- Repeat the procedures in each adjustment several times and the frequency coverage and tracking adjustments should be finally done by the trimmer capacitors.

FM Section

FUNCTION : RADIO  
BAND : FM



FM ADJUSTMENT

FM IF ADJUSTMENT (1)	
Adjust for a maximum reading on VTVM.	
T1	10.7MHz

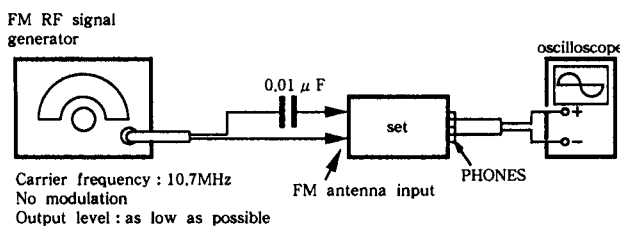
FM IF ADJUSTMENT (2)*	
Adjust for a maximum distortion.	
T2	10.7MHz

FM FREQUENCY COVERAGE ADJUSTMENT	
Adjust for a maximum reading on VTVM.	
L2	87.6MHz
CT2	109.5MHz

FM TRACKING ADJUSTMENT	
Adjust for a maximum reading on VTVM.	
L1	87.6MHz
CT1	109.5MHz

\*FM IF Alignment (2)

Procedure :

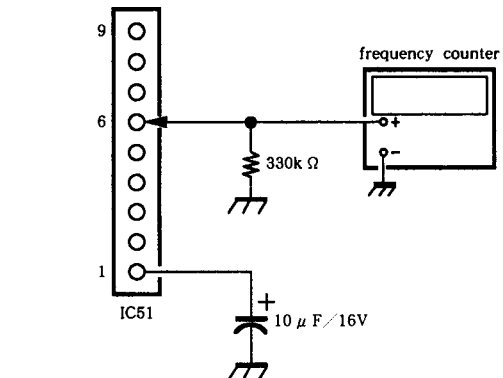
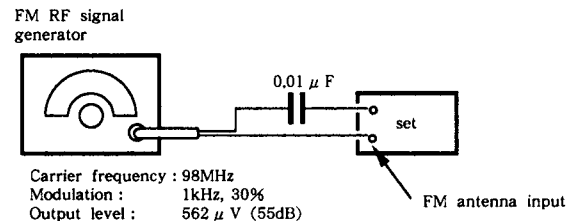


1. Turn T2 fully clockwise.
2. Make sure that sinewave appears three times when changing RF signal-generator frequency gradually.
3. Set RF signal-generator frequency for second sinewave, and precisely adjust RF signal-generator frequency for maximum reading on oscilloscope.
4. Adjust T2 for maximum reading and minimum noise on oscilloscope.

VCO Adjustment

A) Regular Method

Procedure :

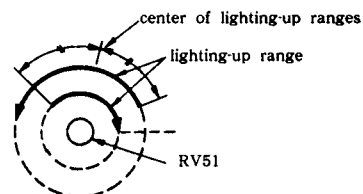


1. Connect an electrolytic capacitor (10  $\mu$ F/16V) between pin ① of IC51 and ground.
2. Tune the set to 98MHz.
3. Adjust RV51 for 38kHz  $\pm$  0.1kHz on the counter.
4. Remove electrolytic capacitor mounted in step 1.

B) Simple Method

Procedure :

1. Tune the set to the FM stereo broadcasting signal.
2. Turn RV51 clockwise or counterclockwise and memorize the lighting-up range of the FM STEREO lamp.
3. Secure RV51 at the center of the lighting-up range of both turns as shown below.



**AM Section**

FUNCTION : RADIO  
BAND : AM

AM RF signal generator



Put the lead-wire antenna close to the set

400Hz, 30%  
AM modulation  
Output level : as low as possib

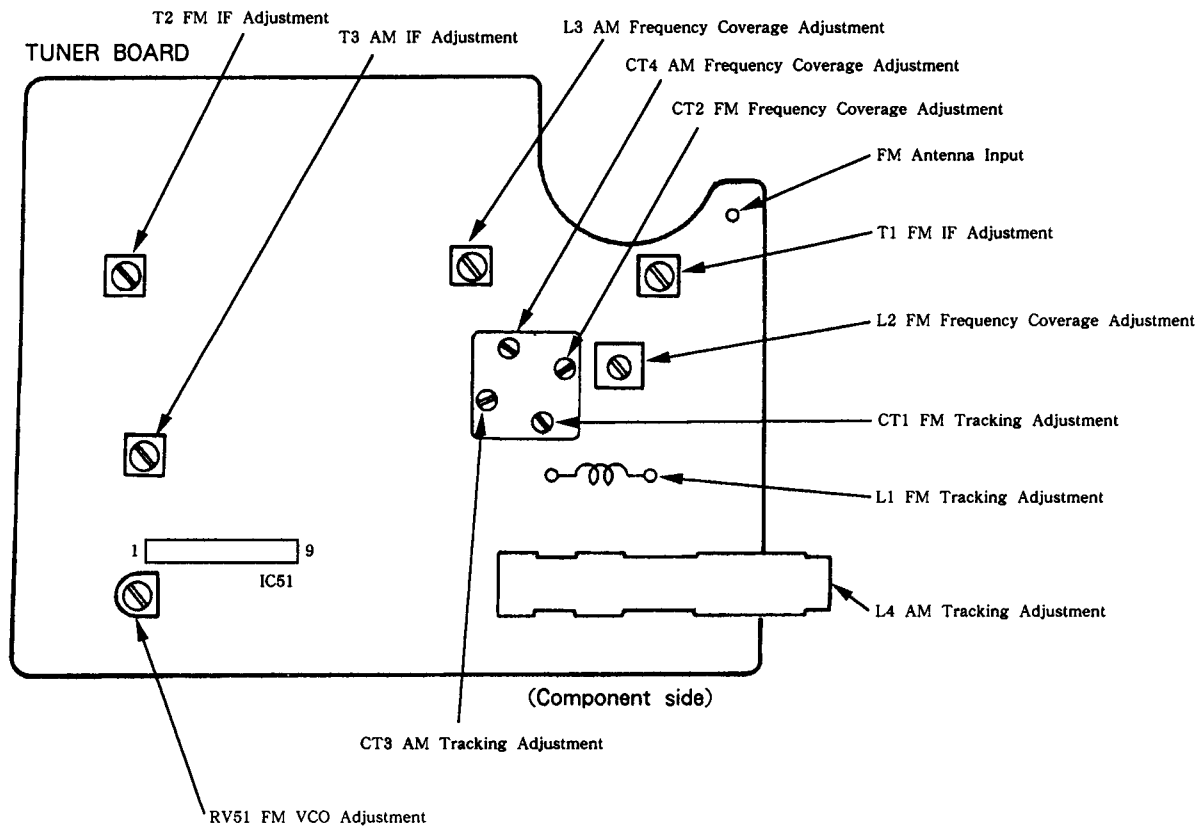
**AM ADJUSTMENT**

AM IF ADJUSTMENT	
Adjust for a maximum reding on VTVM.	
T3	455kHz

AM FREQUENCY COVERAGE ADJUSTMENT	
Adjust for a maximum reding on VTVM.	
L3	520kHz
CT4	1,680kHz

AM TRACKING ADJUSTMENT	
Adjust for a maximum reding on VTVM.	
L4	600kHz
CT3	1,400kHz

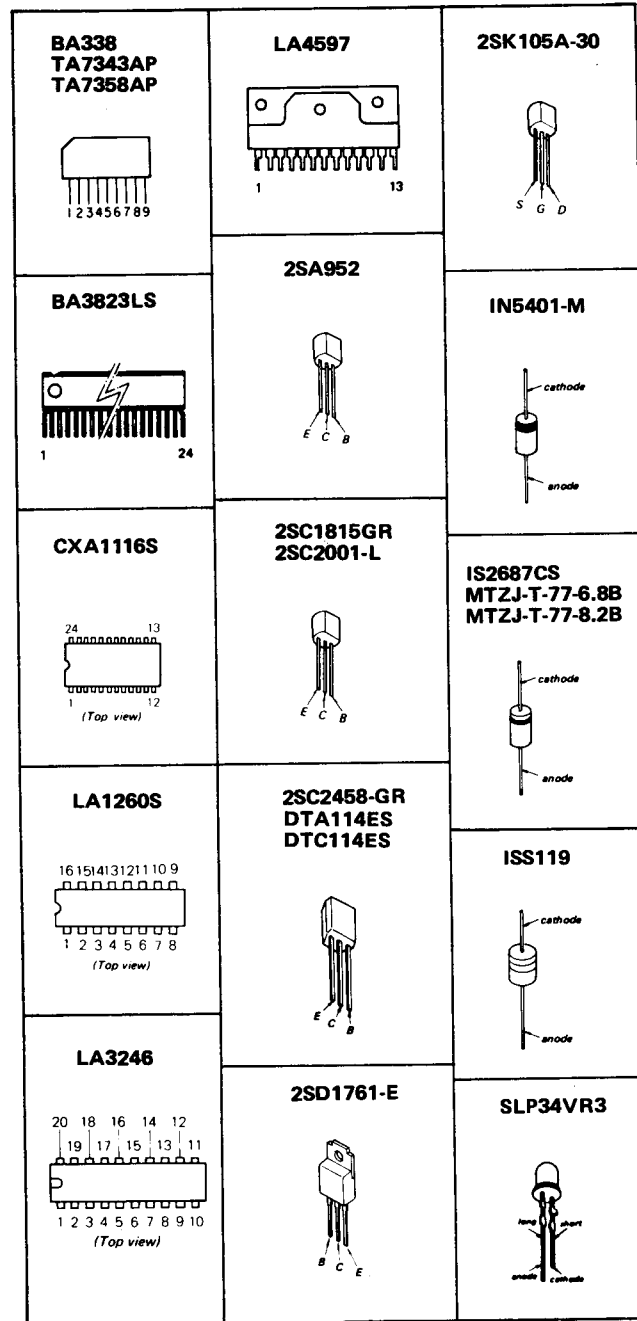
**Adjustment Parts Diagrams**





# SECTION 5 DIAGRAMS

## 5-1. SEMICONDUCTORS LEAD LAYOUT

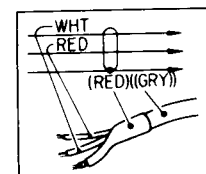


## SEMICONDUCTOR LOCATION

Ref.No.	Location	Ref.No.	Location
IC301	H-19	D301	
IC302	H-15	D302	
IC303	G-10	D303	
IC304	F-10	D307	
IC305	G-23	D308	
IC401	I-3	D309	
		D351	
Q151	I-10	D354	
Q251	I-10	D356	
Q301	I-18	D357	
Q302	F-12	D358	
Q304	E-23	D359	
Q351	I-11	D362	
Q358	F-13	D363	
Q359	F-21	D364	
Q360	F-21	D365	
Q361	E-19	D366	
Q362	F-14	D481	
Q363	E-20	D801	
Q364	F-15	D802	
Q365	F-15	D803	
Q368	G-22	D804	
Q369	G-22		
Q370	F-21		
Q371	F-14		
Q372	F-14		
Q373	F-15		
Q374	G-20		
Q375	F-21		

**Note:**

- Color code or sleeving over the end of the

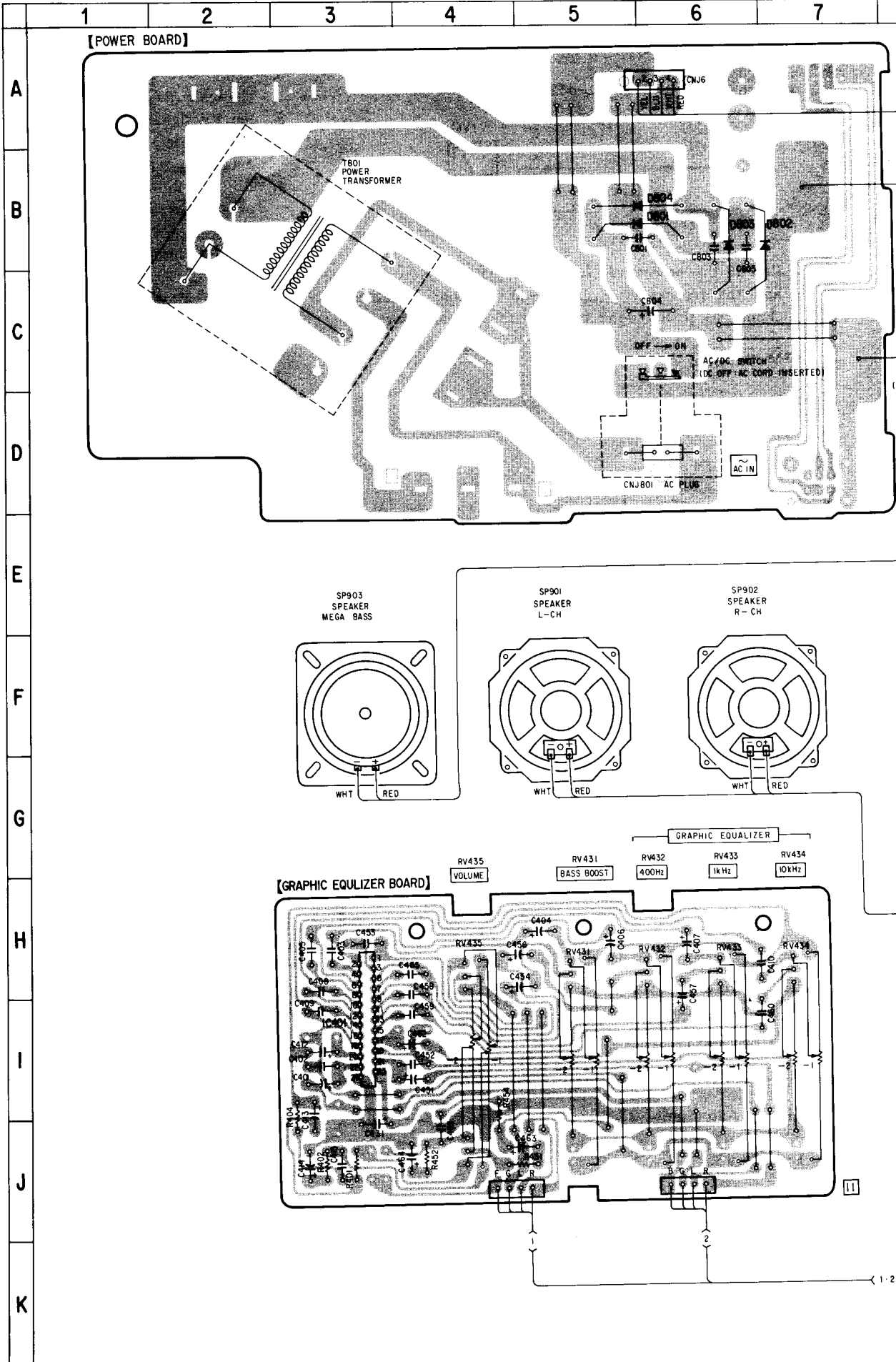


- : parts extracted from the component
- : parts extracted from the conductor
- ⊗ : Through hole.
- ▨ : Pattern on the side which is seen
- ▩ : Pattern of the rear side.
- : Printed resistors extracted from the component
- : parts mounted on the conductor

5-2. PRINTED WIRING BOARDS (AUDIO SECTION)

FOR LOCATION

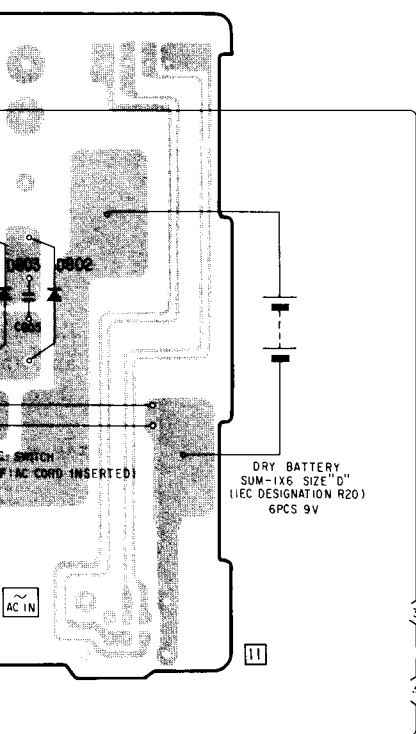
Location	Ref.No.	Location
-19	D301	G-20
-15	D302	F-23
-10	D303	J-19
-10	D307	G-20
-23	D308	G-17
-3		
	D309	G-17
	D351	G-20
-10	D354	G-22
-10	D356	G-12
-18	D357	E-19
-12		
-23	D358	E-18
	D359	F-20
-11	D362	G-22
-13	D363	F-14
-21	D364	G-21
-21		
-19	D365	G-20
	D366	G-20
-14	D481	C-20
-20	D801	B-5
-15	D802	B-6
-15		
G-22	D803	B-6
G-22	D804	B-5
-21		
-14		
-14		
-15		
G-20		
-21		



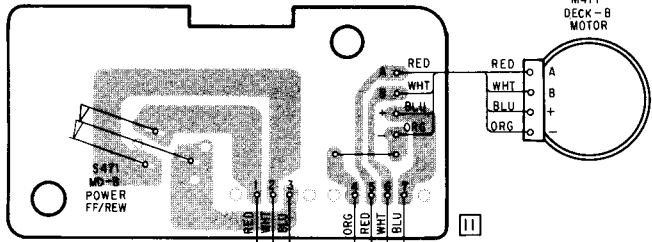
...eaving over the end of the jacket.

...tracted from the component side.  
 ...tracted from the conductor side.  
 ...n hole.  
 ...on the side which is seen.  
 ...of the rear side.  
 ...resistors extracted from the rear side.  
 ...ounted on the conductor side.

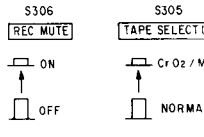
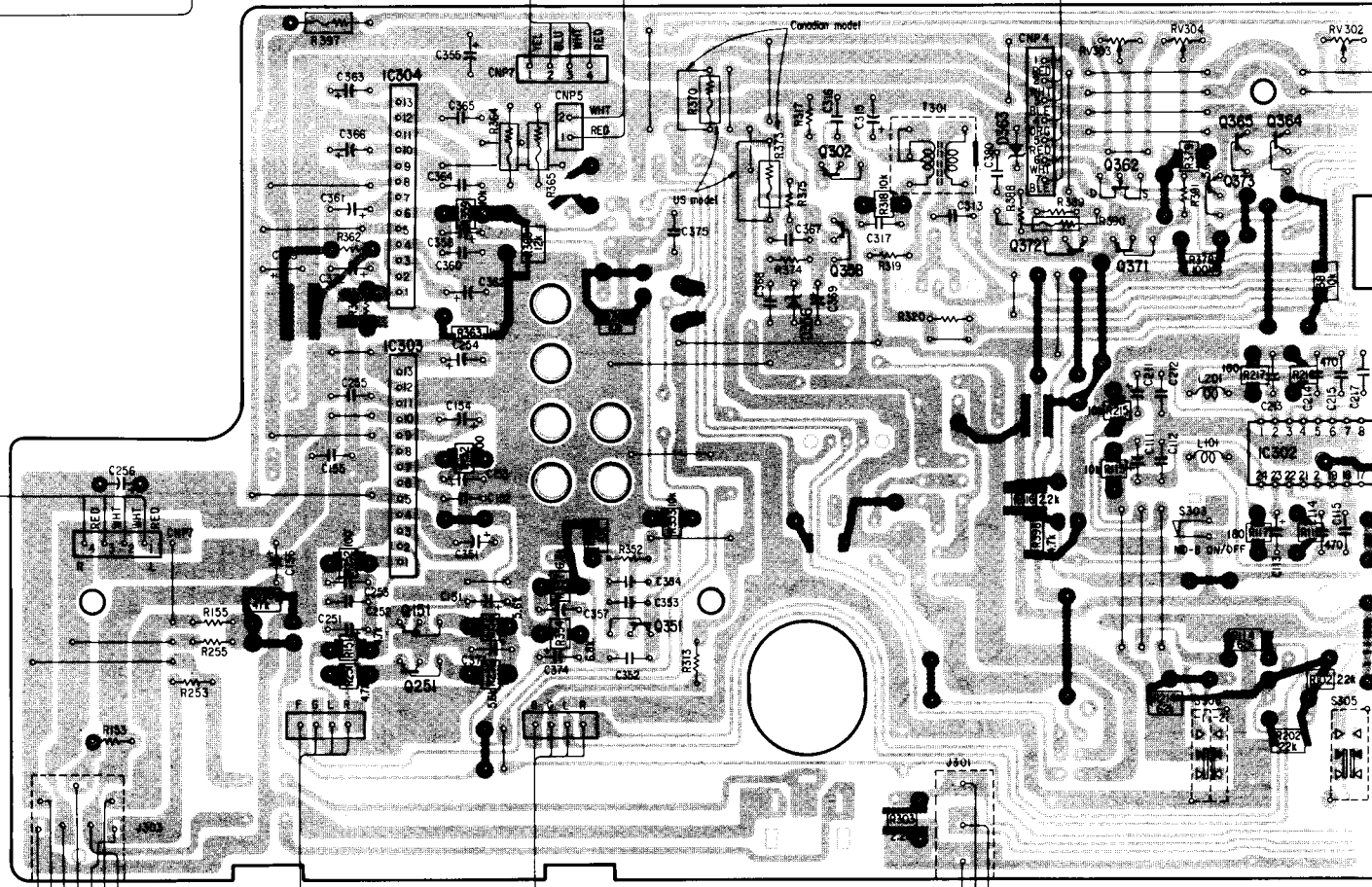
7 8 9 10 11 12 13 14 15

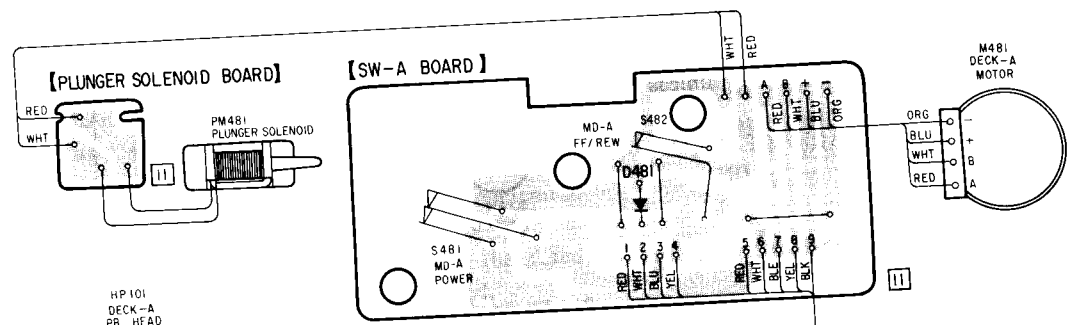


【SW-B BOARD】

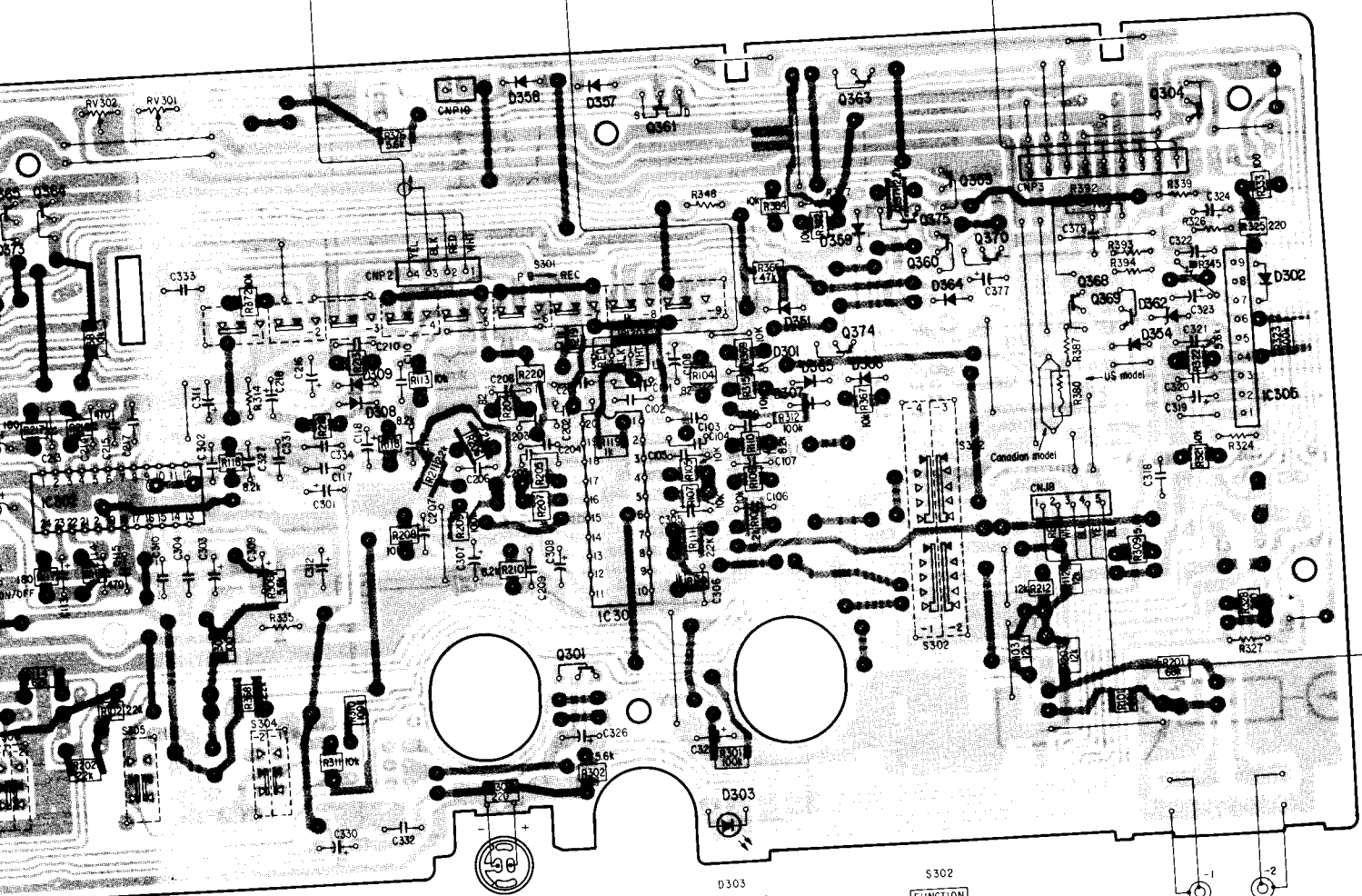
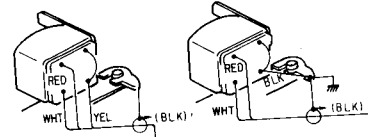


【MAIN BOARD】

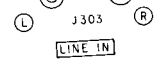
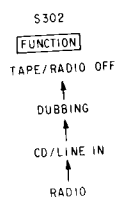
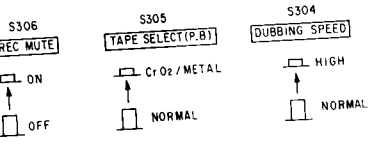




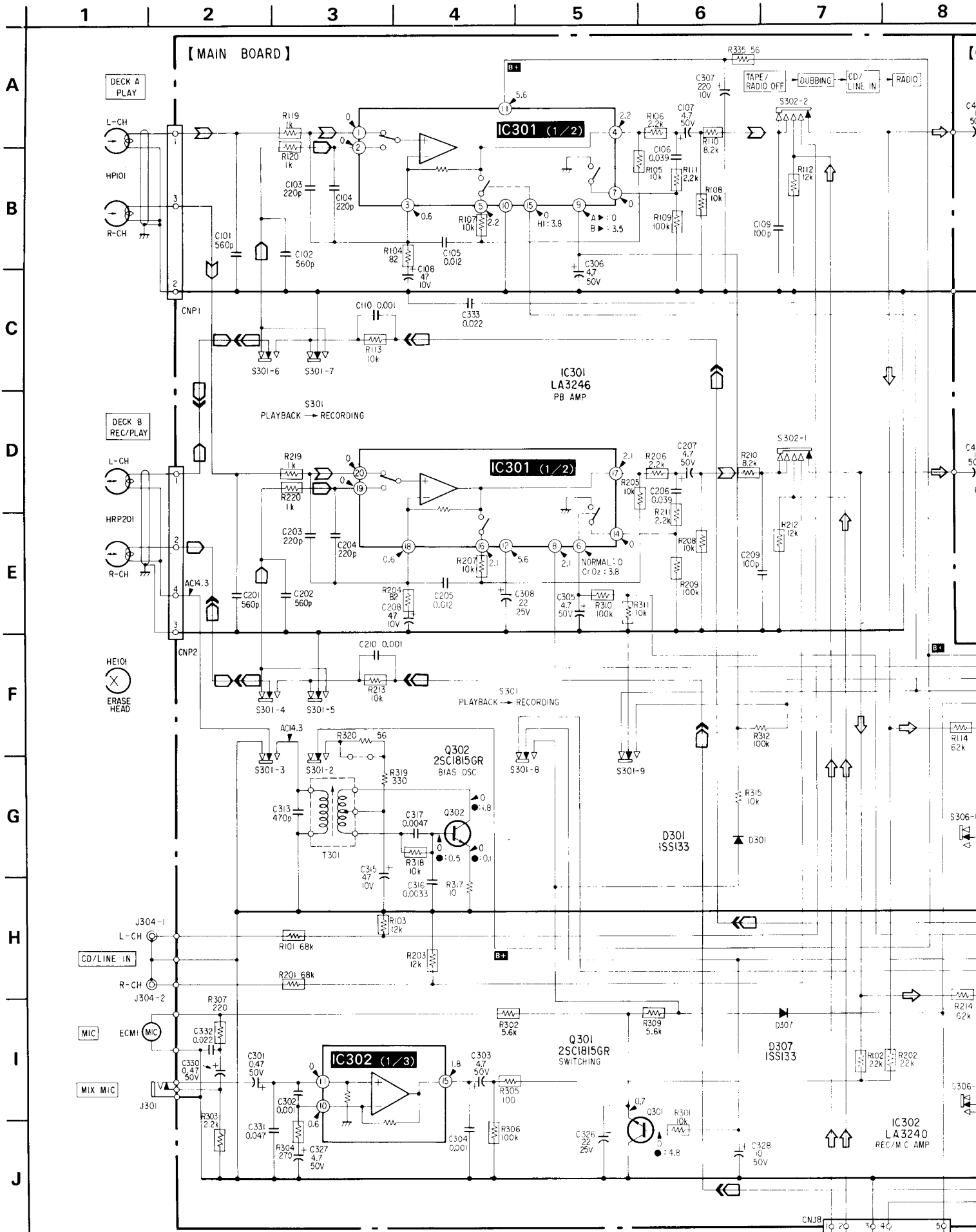
HRP201 DECK-B REC/PB HEAD  
 HP101 DECK-A PB HEAD



TO MAIN BOARD (CNP8) (Page 19)



5-3. SCHEMATIC DIAGRAM (AUDIO SECTION)



8

9

10

11

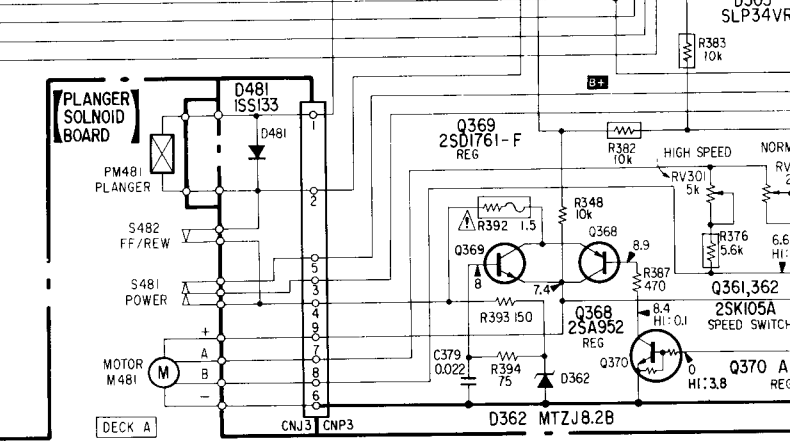
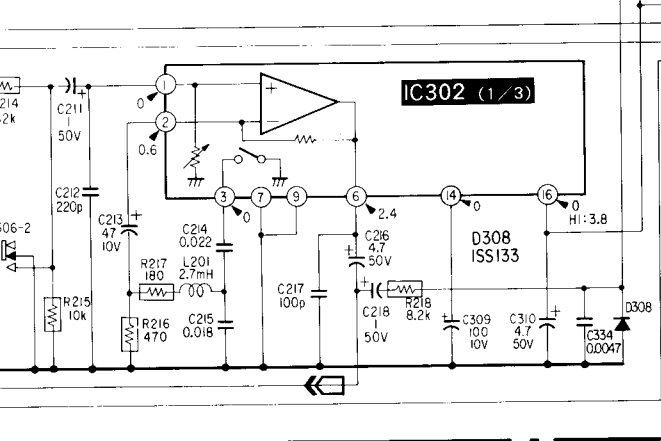
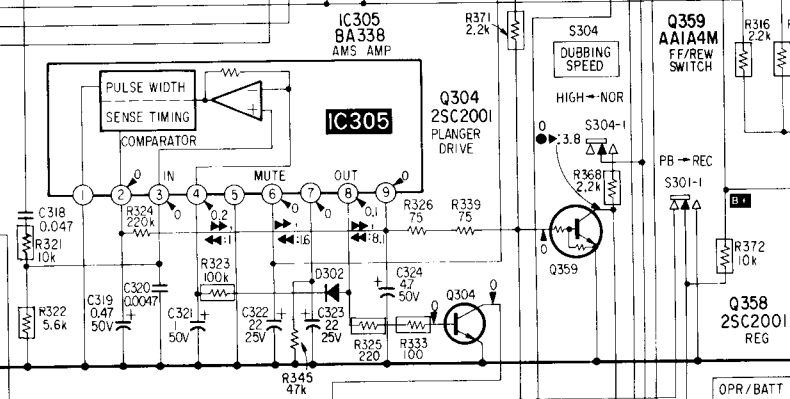
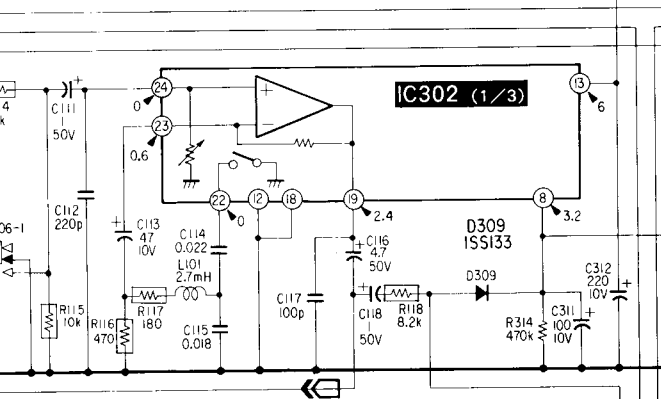
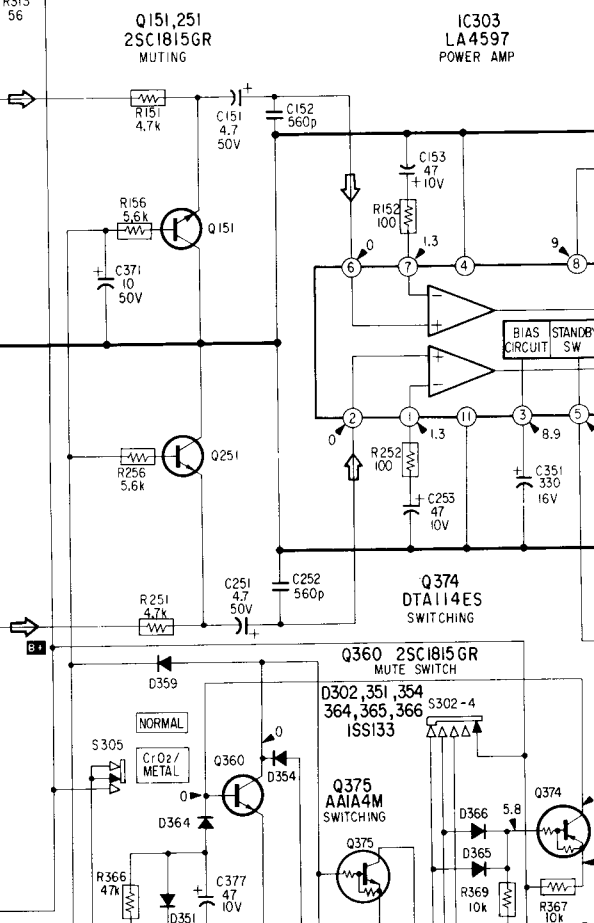
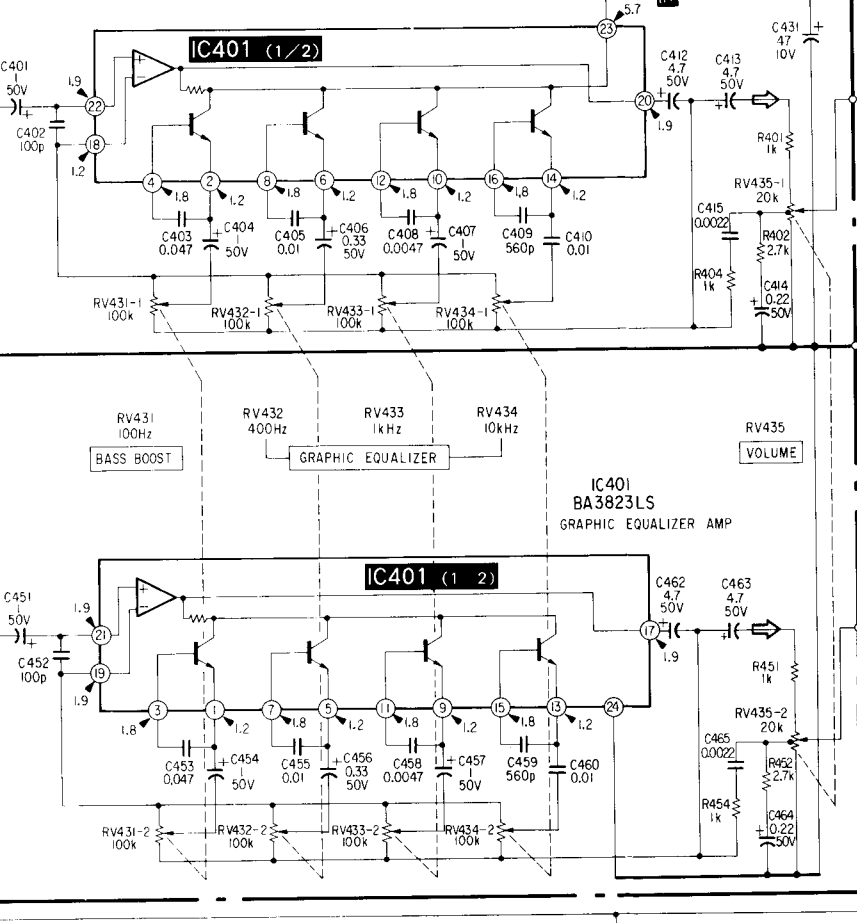
12

13

14

15

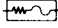
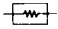
[GRAPHIC EQUALIZER BOARD]





A  
B  
C  
D  
E  
F  
G  
H  
I  
J

**Note:**

- All capacitors are in  $\mu\text{F}$  unless otherwise noted. pF:  $\mu\mu\text{F}$  50WV or less are not indicated except for electrolytics and tantalums.
- All resistors are in  $\Omega$  and  $\frac{1}{4}\text{W}$  or less unless otherwise specified.
- $\triangle$  : internal component.
-  : fusible resistor.
-  : printed resistor.
- Switch with sliding contact indicated by hatched lines shows shorting type.



**Note:**


The components identified by mark  $\triangle$  or dotted line with mark  $\triangle$  are critical for safety. Replace only with part number specified.

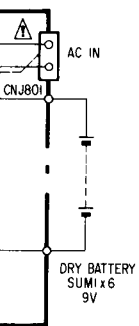
**Note:**

Les composants identifiés par une marque  $\triangle$  sont critiques pour la sécurité. Ne les remplacer que par une pièce portant le numéro spécifié.

• **Switch**

Ref. No.	Switch	Position
S301	REC/PB	PB
S302	FUNCTION	RADIO
S303	MD-B ON /OFF	OFF
S304	DUBBING SPEED	NORMAL
S305	TAPE SELECT	NORMAL
S306	REC MUTE	OFF
S471	MD-B POWER FF/REW	OFF
S481	MD-A POWER	OFF
S482	MD-A FF/REW	OFF

-  : adjustment for repair.
- Total current is measured with no cassette installed.
- Power voltage is dc 9V and fed with regulated dc power supply from external power voltage jack.
- no mark: PLAY
- $\blacktriangleright$  : PLAY     $\blacktriangleleft$  : REV     $\blacksquare$  : STOP
- $\blacktriangleright\blacktriangleright$  : FF     $\blacktriangleleft\blacktriangleleft$  : REW     $\bullet$  : REC
- Voltages are taken with a VOM (50 k $\Omega$ /V).  
Voltage variations may be noted due to normal production tolerances.
- Signal path.
  - $\Rightarrow$  : FM
  - $\Sigma$  : PB (DECK A)
  - $\square$  : PB (DECK B)
  - $\Rightarrow$  : REC (DECK B)

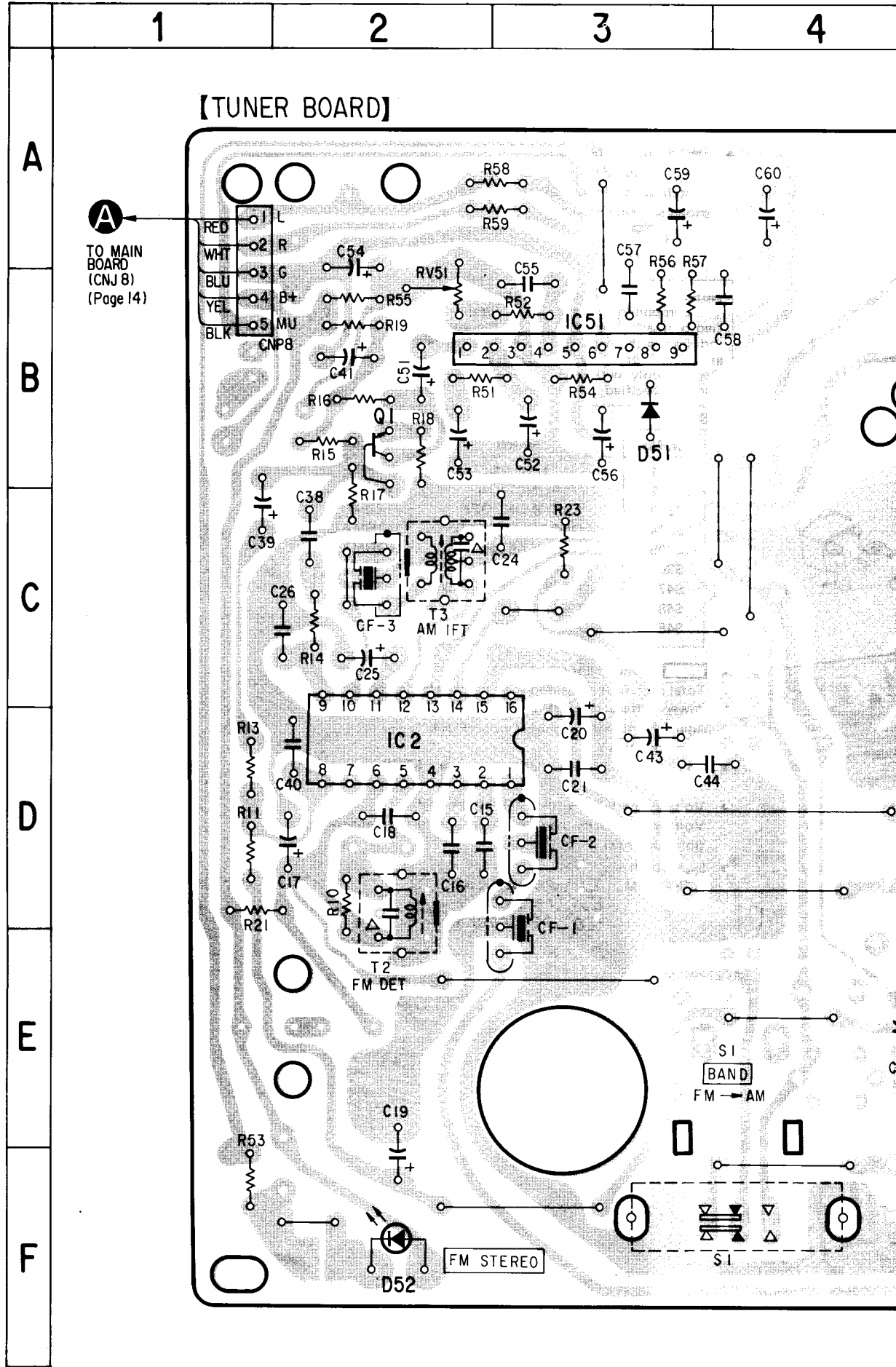




SEMICONDUCTOR LOCATION

5-4. PRINTED WIRING BOARDS (TUNER SECTION)

Ref.No.	Location
IC1	D-7
IC2	D-2
IC51	B-3
Q1	B-2
D1	B-7
D2	B-7
D3	C-6
D5	D-6
D51	B-3
D52	F-2



3

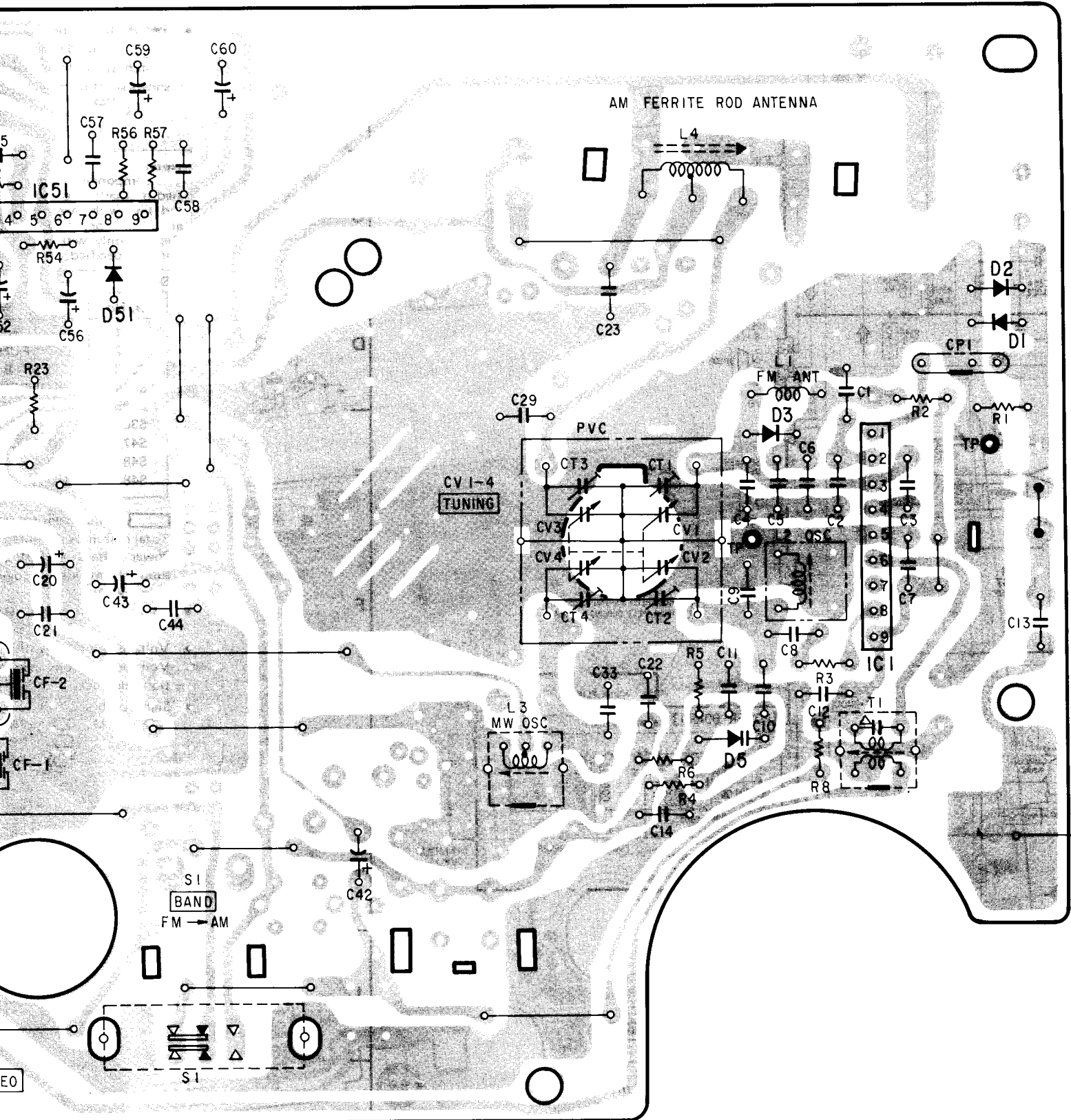
4

5

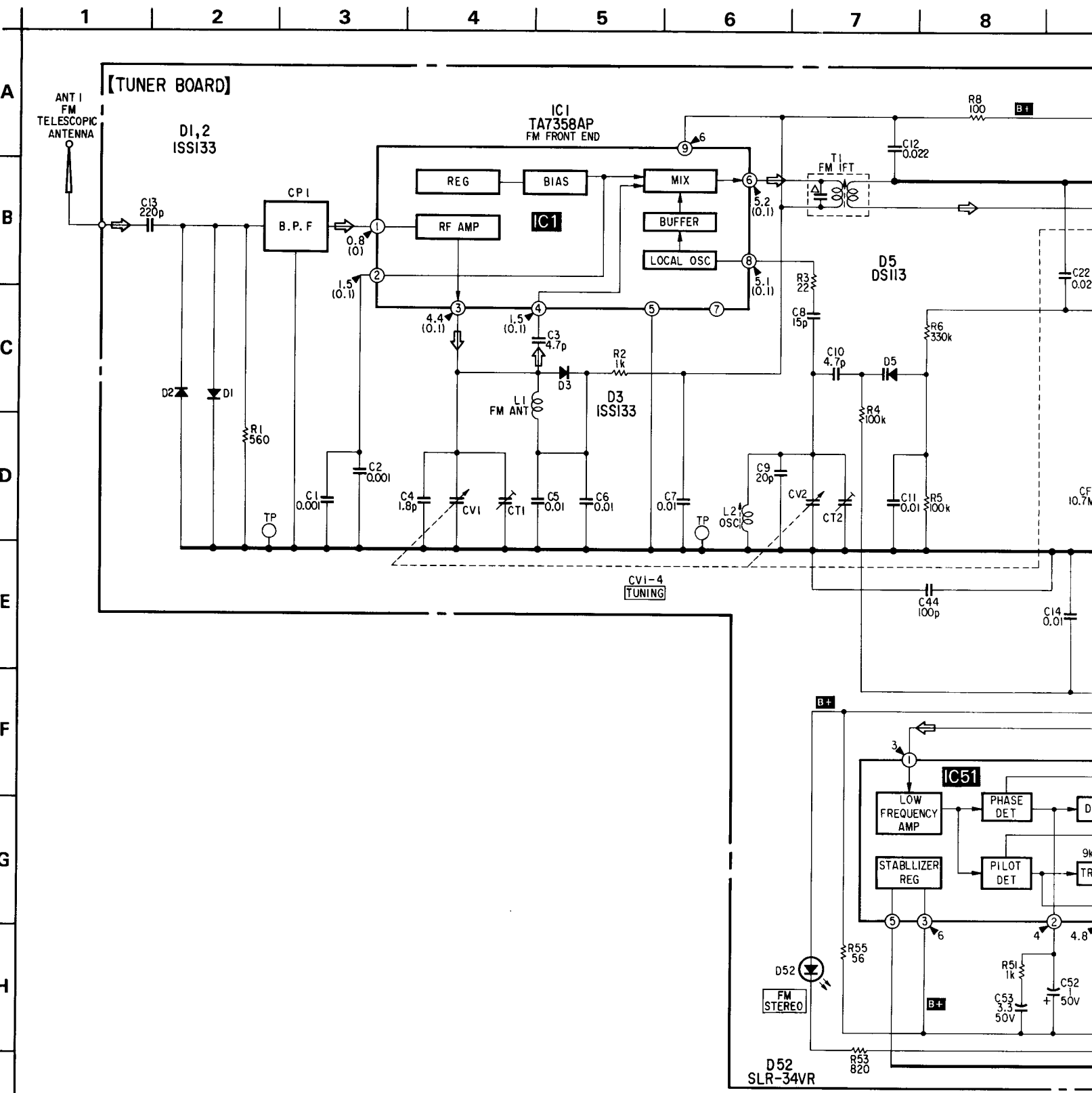
6

7

8



5-5. SCHEMATIC DIAGRAM (TUNER SECTION)



Note:

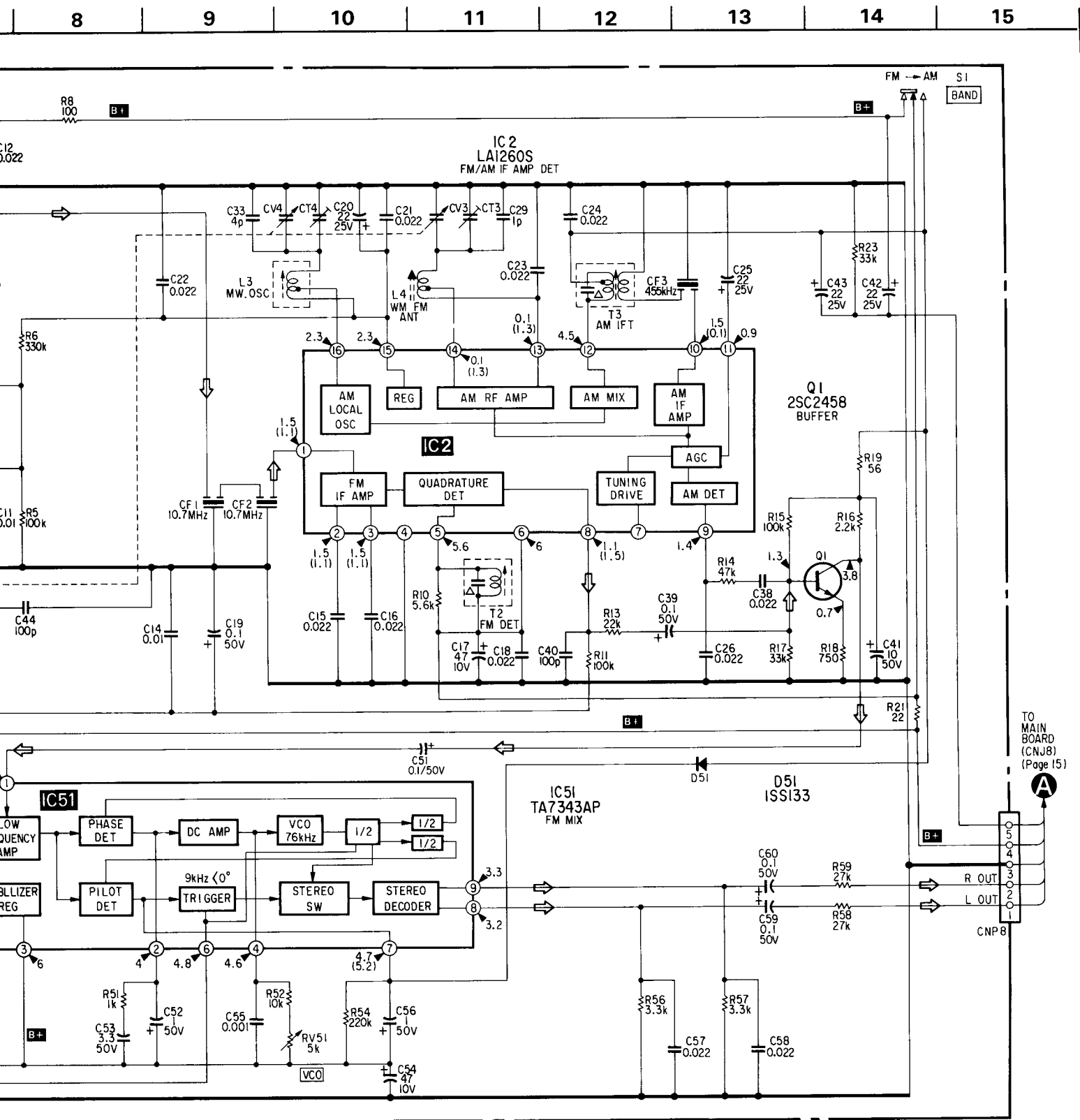
- All capacitors are in  $\mu F$  unless otherwise noted. pF:  $\mu\mu F$  50WV or less are not indicated except for electrolytics and tantalums.
- All resistors are in  $\Omega$  and  $\frac{1}{4}W$  or less unless otherwise specified.
- $\Delta$  : internal component.

• Switch

Ref. No.	Switch	Position
S1	BAND FM/AM	FM

no mark: FM  
( ): AM

- Voltages are taken with a
- Voltage variations may tion tolerances.
- Signal path.
- $\Rightarrow$  : FM

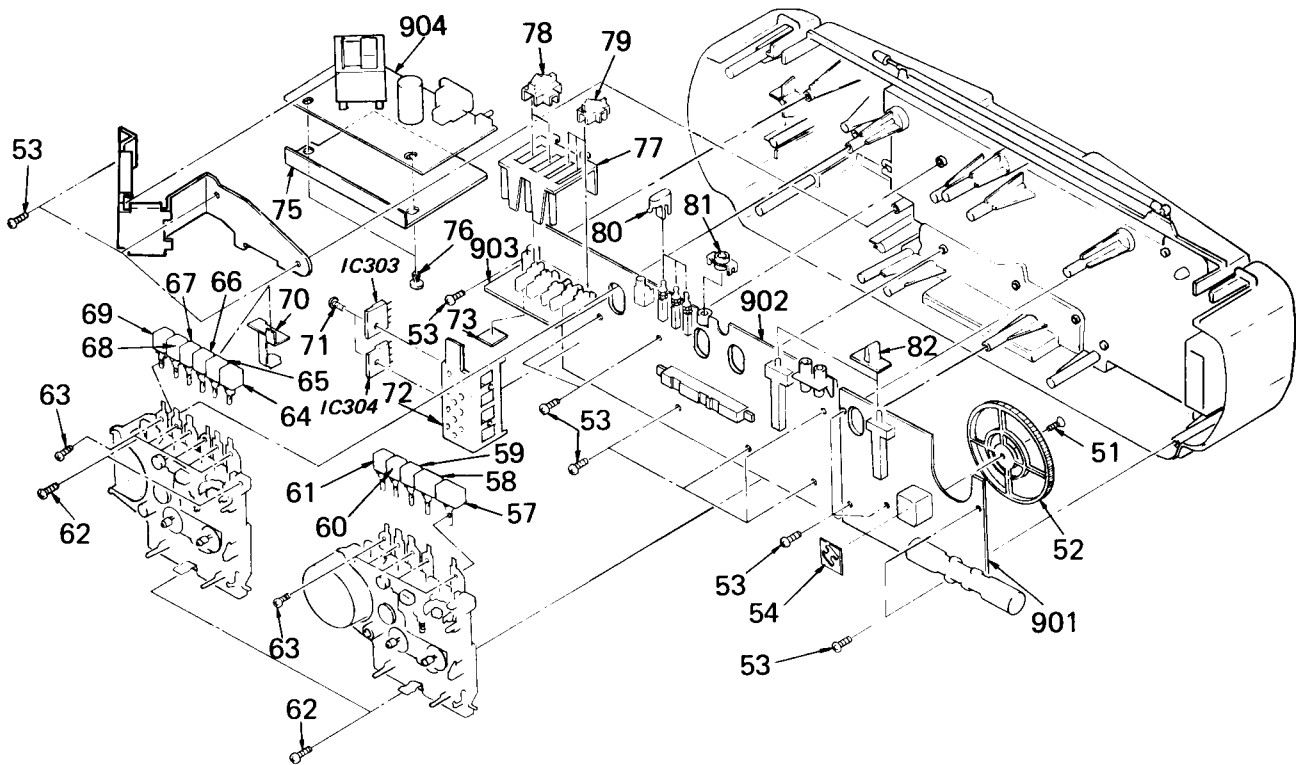


no mark: FM  
( ): AM

- Voltages are taken with a VOM (50 kΩ/V). Voltage variations may be noted due to normal production tolerances.
- Signal path.  $\Rightarrow$  : FM

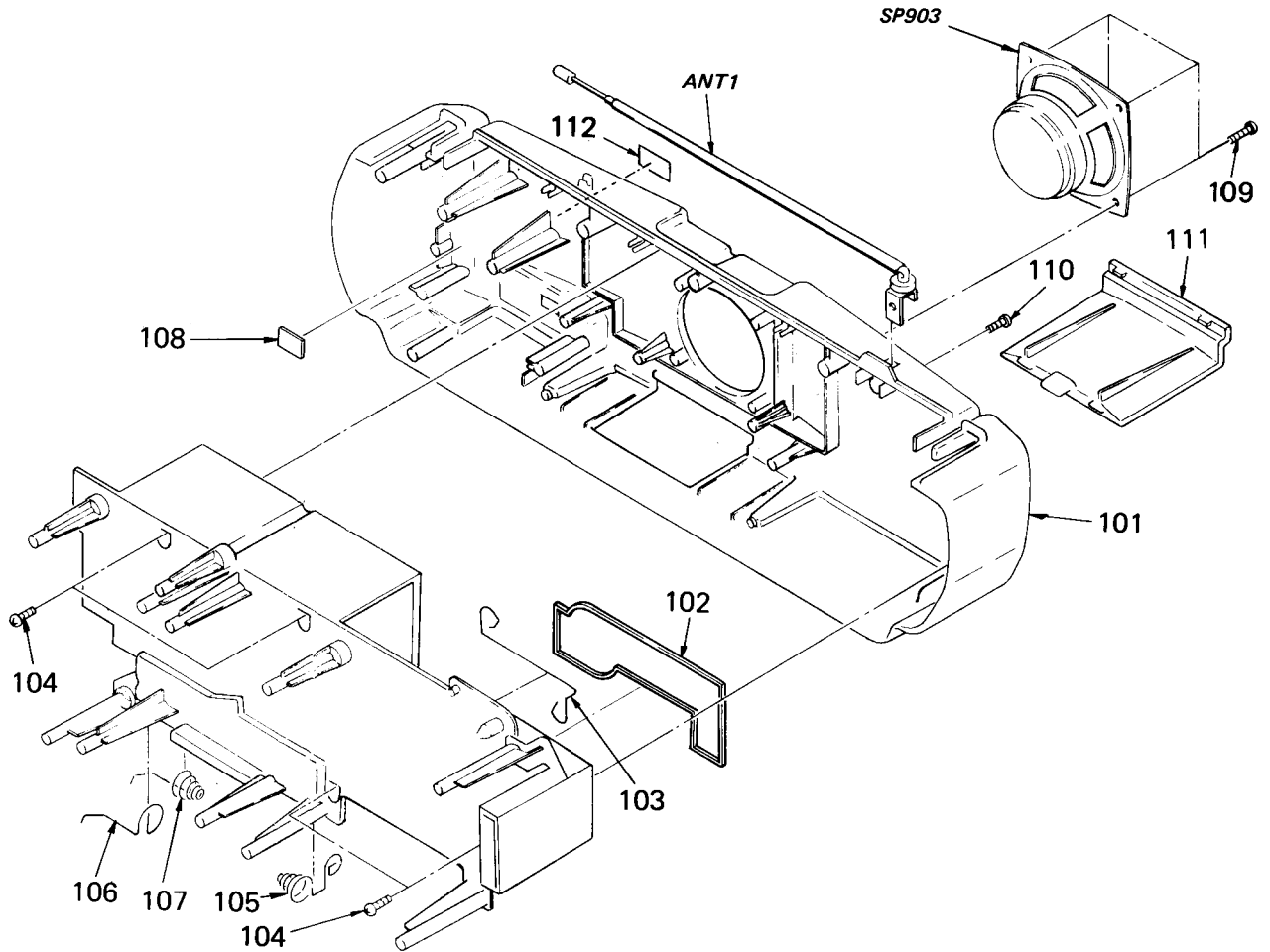


(2)



No.	Part No.	Description	Remarks	No.	Part No.	Description	Remarks
51	7-621-259-35	SCREW +P 2.6X5		70	3-346-139-01	SPRING (PB)	
52	3-338-505-01	DRUM, TUNING CAPACITOR		71	7-682-147-01	SCREW +BVTT 3X6 (S)	
53	7-685-646-79	SCREW +BVTP 3X8 TYPE2 IT-3		72	3-346-135-01	HEAT SINK	
54	*3-890-726-00	PLATE (C), SHIELD		73	*3-718-964-01	CUSHION, CR	
57	3-346-132-01	BUTTON (STOP A)		75	*3-346-162-01	(US)...SHEET, INSULATING	
58	3-346-131-01	BUTTON (PLAY A)		76	4-812-134-00	RIVET NYLON, 3.5	
59	3-346-130-01	BUTTON (REW A)		77	*3-346-144-01	CHASSIS (GEQ)	
60	3-346-129-01	BUTTON (FF A)		78	3-346-119-01	KNOB (VOL)	
61	3-346-128-01	BUTTON (PAUSE A)		79	3-346-120-01	KNOB (GEQ)	
62	7-685-648-79	SCREW +BVTP 3X12 TYPE2 IT-3		80	3-346-117-01	BUTTON (PUSH)	
63	7-621-773-86	SCREW +PTT 2.6X4 (S)		81	3-321-122-01	CUSHION, MICROPHONE	
64	3-346-127-01	BUTTON (STOP B)		82	3-346-118-01	KNOB (SLIDE)	
65	3-346-126-01	BUTTON (REC B)		901	*A-3266-449-A	MOUNTED PCB, TUNER	
66	3-346-125-01	BUTTON (PLAY B)		902	*A-3270-474-A	(US).....MOUNTED PCB, MAIN	
67	3-346-124-01	BUTTON (REW B)			*A-3270-487-A	(Canadian)...MOUNTED PCB, MAIN	
68	3-346-123-01	BUTTON (FF B)		903	1-625-840-11	PC BOARD, GEQ	
69	3-346-122-01	BUTTON (PAUSE B)		904	*1-625-838-11	PC BOARD, POWER	

(3)



No.	Part No.	Description	Remarks	No.	Part No.	Description	Remarks
101	3-346-155-01 3-346-155-41	(US).....CABINET (REAR) (Canadian)...CABINET (REAR)		107	3-346-138-01	BATTERY COIL SPRING (-)	
102	3-346-145-01	COVER (DUCT)		108	9-911-843-XX	CUSHION, RUBBER	
103	*3-346-136-01	TERMINAL, ANTENNA		109	7-685-646-79	SCREW +BVTP 3X8 TYPE2 IT-3	
104	7-685-651-79	SCREW +BVTP 3X20 TYPE2		110	7-682-547-09	SCREW +B 3X6	
105	3-346-141-01	BATTERY COIL SPRING (+,-)		111	3-346-104-01	LID, BATTERY CASE	
106	3-346-137-01	TERMINAL, POSITIVE		112	*3-346-167-01	(Canadian)...LABEL, MODEL NUMBER	
				ANT1	1-501-375-11	ANTENNA, TELESCOPIC	
				SP903	1-503-933-11	SPEAKER (MEGA BASS)	

# CFS-DW30

## SONY SERVICE MANUAL

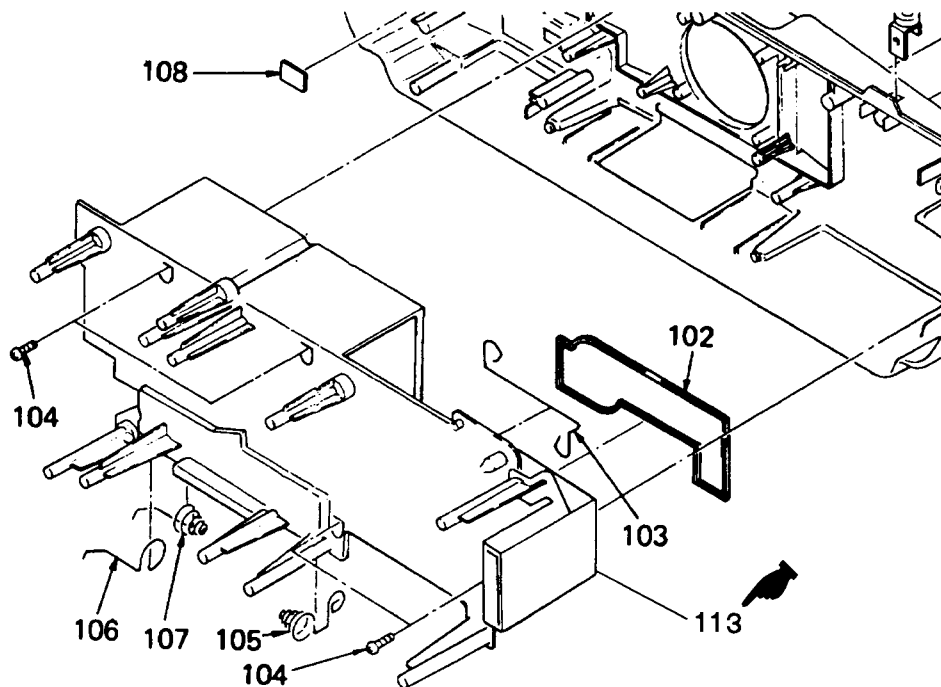
US Model  
Canadian Model

### CORRECTION-3

Correct your service manual as shown below.

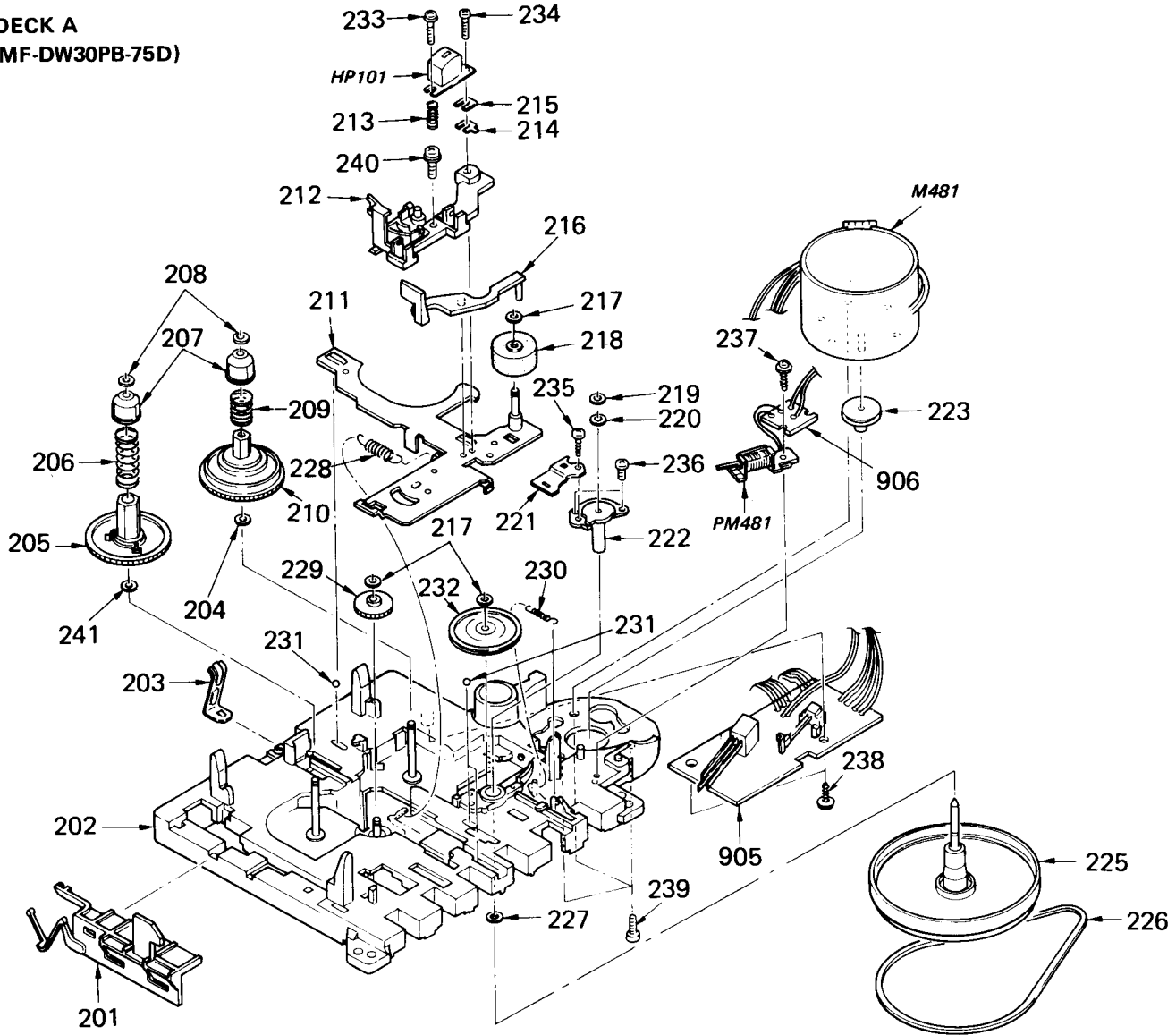
 : indicates corrected portion.

Page	INCORRECT	CORRECT		
		No.	Part No.	Description
25		113	3-346-154-11	CHASSIS (DODECA)



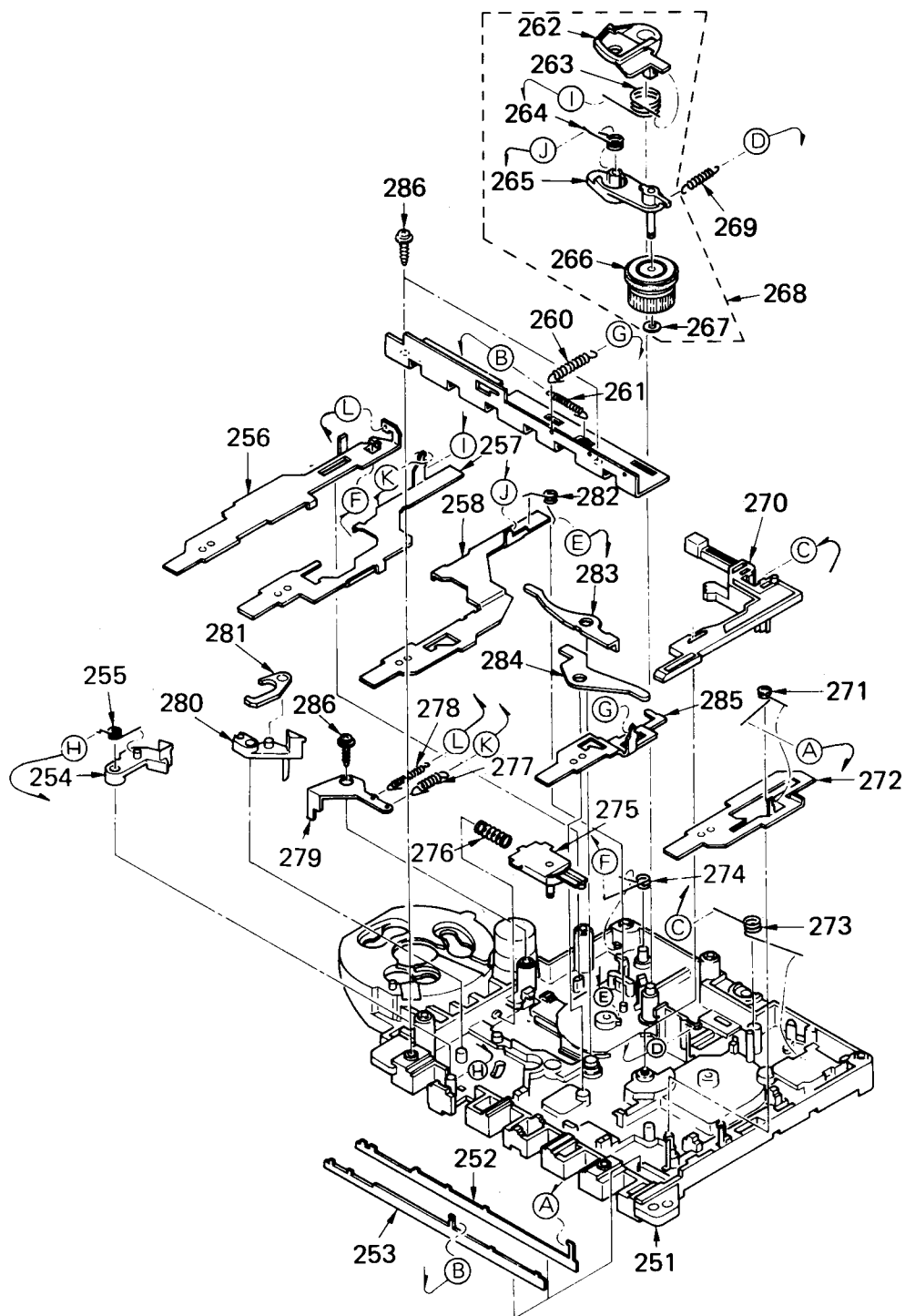


(4) DECK A  
(MF-DW30PB-75D)



No.	Part No.	Description	Remarks	No.	Part No.	Description	Remarks
201	3-313-380-01	CLAW (A), EJECT		220	3-701-438-01	WASHER (t=0.13)	
202	A-3102-092-A	CHASSIS ASSY, MECHANICAL		221	*3-332-309-01	SPRING (B)	
203	3-313-902-11	SPRING CASSETTE		222	X-3319-945-1	BEARING ASSY, CAPSTAN	
204	3-701-437-21	WASHER		223	X-3330-617-1	PULLEY (S ASSY, MOTOR)	
205	3-313-305-00	TABLE, REEL, SUPPLY		225	X-3319-946-2	FLYWHEEL (H) ASSY	
206	3-313-344-00	SPRING, COMPRESSION		226	3-679-171-00	BELT	
207	3-313-333-00	CLAW, REEL		227	3-701-438-11	WASHER, 2.5	
208	3-558-708-01	WASHER, STOPPER		228	3-324-222-01	SPRING (HIGH TENSION)	
209	3-313-345-00	SPRING, COMPRESSION		229	3-558-620-11	GEAR, REWIND	
210	A-3130-031-A	TABLE ASSY, REEL, TAKE-UP		230	3-313-384-01	SPRING, TENSION	
211	X-3313-311-1	CHASSIS ASSY HEAD		231	7-671-112-11	BALL, STEEL (2.5MM DIA)	
212	3-334-717-01	BRACKET (M), HEAD		232	X-3313-307-0	PULLEY ASSY, FWD	
213	3-313-340-00	SPRING, COMPRESSION		233	3-701-465-00	SCREW, LOCK	
214	3-331-108-01	LUG (T), SEAM (t=0.1)		234	7-621-772-40	SCREW +B 2X8	
	3-331-108-11	LUG (T), SEAM (t=0.2)		235	7-685-134-19	SCREW (B2.6), TAPPING	
	3-331-108-21	LUG (T), SEAM (t=0.3)		236	3-318-203-71	SCREW (B1.7X5), TAPPING	
	3-331-108-31	LUG (T), SEAM (t=0.4)		237	7-685-105-19	SCREW (2X8), + PTPWH	
	3-331-108-41	LUG (T), SEAM (t=0.5)		238	7-687-233-11	SCREW (+ PTPWH) (2.6X6)	
215	3-578-138-01	SEAM (t=0.1)		239	7-621-259-35	SCREW +P 2.6X5	
	3-578-138-11	SEAM (t=0.2)		240	7-621-255-35	SCREW (2MMX5), + PWH	
	3-578-138-21	SEAM (t=0.3)		241	3-322-659-01	WASHER (A)	
216	3-313-316-00	PULLEY		905	*1-625-839-11	PC BOARD, SW (A)	
217	3-307 948-01	WASHER, NYLON		906	*1-602-735-00	PC BOARD PLUNGER SOLENOID	
218	3-703-597-41	PINCH ROLLER, STANDARD		HP101	1-543-283-11	HEAD, MAGNETIC (PB)	
219	3-307-948-41	WASHER, NYLON (t=0.3)		M481	1-541-330-11	MOTOR (CW)(DECK A)	
				PM481	1-454-355-00	SOLENOID, PLUNGER	

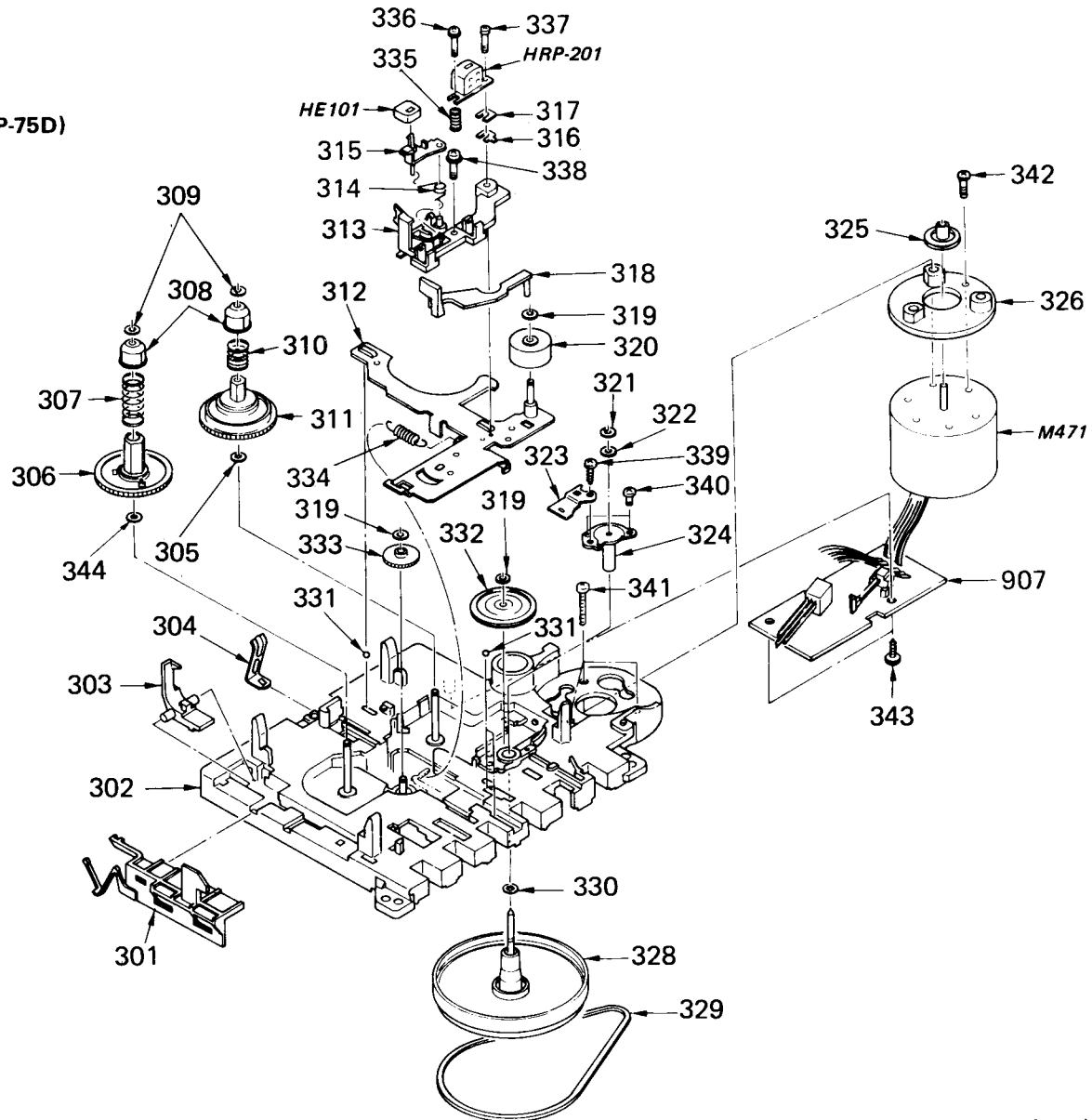
(5) DECK A



No.	Part No.	Description
251	A-3102-092-A	CHASSIS ASSY, MECHANICAL
252	*3-313-351-06	PLATE (A), LOCK
253	*3-313-352-00	PLATE (B), LOCK
254	3-313-322-02	LEVER (A), S.OFF
255	3-313-323-00	SPRING
256	*3-313-381-01	LEVER (B), PAUSE BUTTON
257	*3-313-353-00	LEVER, FF BUTTON
258	*3-313-354-00	LEVER, REW BUTTON
260	3-313-369-00	SPRING, TENSION
261	3-313-343-00	SPRING, TENSION
262	3-313-314-00	LEVER (SI), FR
263	3-313-315-00	SPRING
264	3-313-313-00	SPRING
265	X-3313-304-0	ARM ASSY, REW
266	X-3313-310-1	IDLER ASSY, FR
267	3-558-708-01	WASHER, STOPPER
268	A-3136-040-A	IDLER COMPLETE ASSY, FR
269	3-313-365-00	SPRING, TENSION

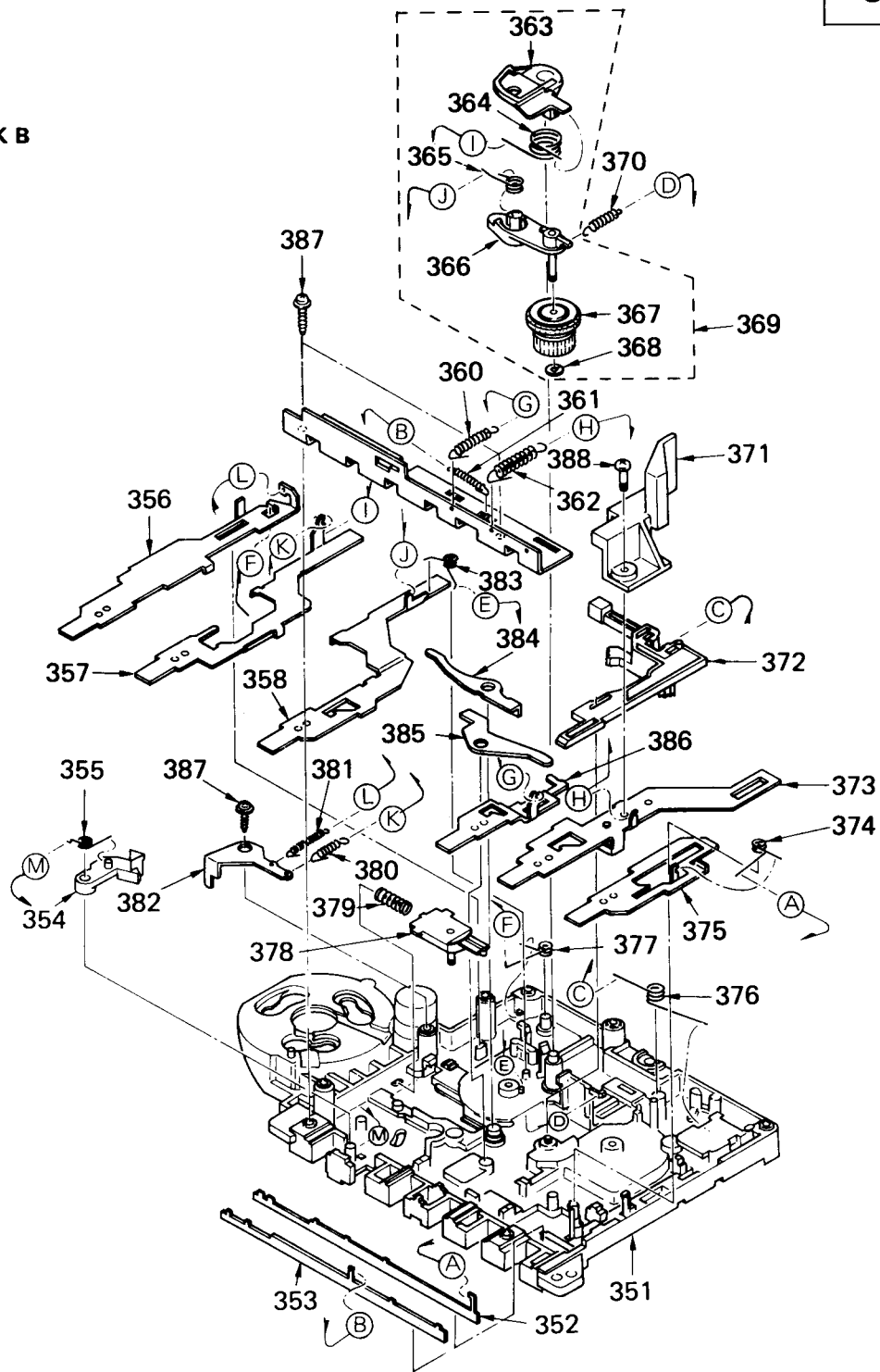
No.	Part No.	Description
270	3-313-356-00	BRAKE
271	3-313-331-00	SPRING
272	*3-313-325-00	LEVER, STOP BUTTON
273	3-313-327-00	SPRING
274	3-313-378-01	SPRING (A)
275	X-3313-301-0	BRACKET ASSY, T PULLEY
276	3-573-464-00	SPRING, COMPRESSION
277	3-313-348-00	SPRING, TENSION
278	3-313-349-00	SPRING, TENSION
279	*3-332-310-01	HOOK, SPRING
280	X-3313-306-0	LEVER (B) ASSY, SHUT-OFF
281	*3-313-337-00	CHIP, JOINT, S.OFF
282	3-313-338-00	SPRING
283	*3-313-320-00	LEVER, RCP
284	*3-313-321-00	LEVER, PREVENTION, RFR
285	*3-313-326-06	LEVER, FWD BUTTON
286	7-621-259-55	SCREW +BVTT 2.6X6 (S)

(6) DECK B  
(MF-DW30RP-75D)



No.	Part No.	Description	Remarks	No.	Part No.	Description	Remarks
301	3-313-380-01	CLAW (A), EJECT		321	3-307-948-41	WASHER, NYLON	
302	A-3102-092-A	CHASSIS ASSY, MECHANICAL		322	3-701-438-01	WASHER (t=0.13)	
303	3-313-357-00	CLAW, REC PREVENTION		323	*3-332-309-01	SPRING (B)	
304	3-313-902-11	SPRING CASSETTE		324	X-3319-945-1	BEARING ASSY, CAPSTAN	
305	3-701-437-21	WASHER		325	X-3330-617-1	PULLEY (S) ASSY, MOTOR	
306	3-313-305-00	TABLE, REEL, SUPPLY		326	3-330-679-01	BRACKET (M), MOTOR	
307	3-313-344-00	SPRING, COMPRESSION		328	X-3327-909-2	FLYWHEEL (G) ASSY	
308	3-313-333-00	CLAW, REEL		329	3-679-171-00	BELT	
309	3-558-708-01	WASHER, STOPPER		330	3-701-438-11	WASHER, 2.5	
310	3-313-345-00	SPRING, COMPRESSION		331	7-671-112-11	BALL, STEEL (2.5MM DIA)	
311	A-3130-031-A	TABLE ASSY, REEL, TAKE-UP		332	X-3313-307-0	PULLEY ASSY, FWD	
312	X-3313-311-1	CHASSIS ASSY		333	3-558-620-11	GEAR, REWIND	
313	3-334-717-01	BRACKET (M), HEAD		334	3-324-222-01	SPRING (HIGH TENSION), TENSION	
314	3-313-339-00	SPRING		335	3-313-340-00	SPRING, COMPRESSION	
315	*3-324-221-01	ARM (DC), ERASE HE		336	3-701-465-00	SCREW, LOCK	
316	3-331-108-01	LUG (T), SEAM (t=0.1)		337	7-621-772-40	SCREW +B 2X8	
	3-331-108-11	LUG (T), SEAM (t=0.2)		338	7-621-255-35	SCREW (2MMX5), + PWH	
	3-331-108-21	LUG (T), SEAM (t=0.3)		339	7-685-134-19	SCREW (B2.6), TAPPING	
	3-331-108-31	LUG (T), SEAM (t=0.4)		340	3-318-203-71	SCREW (B1.7X5), TAPPING	
	3-331-108-41	LUG (T), SEAM (t=0.5)		341	7-621-775-60	SCREW, PAN	
317	3-578-138-01	SEAM (t=0.1)		342	7-621-259-25	SCREW +P 2.6X4	
	3-578-138-11	SEAM (t=0.2)		343	7-687-233-11	SCREW (+ PTPWH) (2.6X6)	
	3-578-138-21	SEAM (t=0.3)		344	3-322-659-01	WASHER (A)	
318	3-313-316-00	PULLEY		907	*1-625-832-11	PC BOARD, SW (B)	
319	3-307-948-01	WASHER, NYLON		HE101	1-543-525-11	HEAD, MAGNETIC (ERASE)	
320	3-703-597-41	PINCH ROLLER, STANDARD		HRP201	1-543-283-11	HEAD, MAGNETIC (REC/PB)	
				M471	1-541-317-11	MOTOR (DECK B)	

(7) DECK B



No.	Part No.	Description	Remarks
351	A-3102-092-A	CHASSIS ASSY, MECHANICAL	
352	*3-313-352-11	PLATE (B), LOCK	
353	*3-313-351-16	PLATE (A), LOCK	
354	3-313-322-02	LEVER (A), S.OFF	
355	3-313-323-00	SPRING	
356	*3-313-381-01	LEVER (B), PAUSE BUTTON	
357	*3-313-353-00	LEVER, FF BUTTON	
358	*3-313-354-00	LEVER, REW BUTTON	
360	3-313-369-00	SPRING, TENSION	
361	3-313-343-00	SPRING, TENSION	
362	3-322-529-01	SPRING, TENSION	
363	3-313-314-00	LEVER (SI), FR	
364	3-313-315-00	SPRING	
365	3-313-313-00	SPRING	
366	X-3313-304-0	ARM ASSY, REW	
367	X-3313-312-1	IDLER ASSY, FR	
368	3-558-708-01	WASHER, STOPPER	
369	A-3136-041-B	IDLER COMPLETE ASSY, FR	

No.	Part No.	Description	Remarks
370	3-313-365-00	SPRING, TENSION	
371	*3-346-140-01	LEVER (REC)	
372	3-313-356-00	BRAKE	
373	*3-313-350-00	LEVER, REC BUTTON	
374	3-313-331-00	SPRING	
375	*3-313-325-00	LEVER, STOP BUTTON	
376	3-313-327-00	SPRING	
377	3-313-378-01	SPRING (A)	
378	X-3313-301-0	BRACKET ASSY, T PULLEY	
379	3-573-464-00	SPRING, COMPRESSION	
380	3-313-348-00	SPRING, TENSION	
381	3-313-349-00	SPRING, TENSION	
382	*3-332-310-01	HOOK, SPRING	
383	3-313-338-00	SPRING	
384	*3-313-320-00	LEVER, RCP	
385	*3-313-321-00	LEVER, PREVENTION, RFR	
386	*3-313-326-06	LEVER, FWD BUTTON	
387	7-621-259-55	SCREW +BVTT 2.6X6 (S)	
388	7-621-770-XX	SCREW +BVTT 2.6X8 (S)	

## SECTION 7 ELECTRICAL PARTS LIST

**NOTE:**

- Due to standardization, replacements in the parts list may be different from the parts specified in the diagrams or the components used on the set.
- Items marked "\*" are not stocked since they are seldom required for routine service. Some delay should be anticipated when ordering these items.
- If there are two or more same circuits in a set such as a stereophonic machine, only typical circuit parts may be indicated and capacitors and resistors in other same circuits may be omitted.

**CAPACITORS:**  
MF:  $\mu$ F, PF:  $\mu$  $\mu$ F.

**RESISTORS**  
• All resistors are in ohms.  
• F: nonflammable

**COILS**  
• MMH: mH, UH:  $\mu$ H

**SEMICONDUCTORS**  
In each case, U:  $\mu$ , for example:  
UA....:  $\mu$ A..., UPA....:  $\mu$ PA...,  
UPC....:  $\mu$ PC, UPD....:  $\mu$ PD...

The components identified by mark  $\Delta$  or dotted line with mark  $\Delta$  are critical for safety. Replace only with part number specified.

Les composants identifiés par une marque  $\Delta$  sont critiques pour la sécurité. Ne les remplacer que par une pièce portant le numéro spécifié.

Ref.No.	Part No.	Description
901	*A-3266-449-A	MOUNTED PCB, TUNER
902	*A-3270-474-A *A-3270-487-A	(US).....MOUNTED PCB, MAIN (Canadian)...MOUNTED PCB, MAIN
903	*1-625-840-11	PC BOARD, GEQ
904	*1-625-838-11	PC BOARD, POWER
905	*1-625-839-11	PC BOARD, SW (A)
906	*1-602-735-00	PC BOARD PLUNGER SOLENOID
907	*1-625-832-11	PC BOARD, SW (B)
ANT1	1-501-375-11	ANTENNA, TELESCOPIC
C1	1-101-001-00	CERAMIC 0.001MF 50V
C2	1-101-001-00	CERAMIC 0.001MF 50V
C3	1-162-195-31	CERAMIC 4.7PF 10% 50V
C4	1-162-205-31	CERAMIC 18PF 5% 50V
C5	1-161-379-00	CERAMIC 0.01MF 30% 16V
C6	1-161-379-00	CERAMIC 0.01MF 30% 16V
C7	1-101-004-00	CERAMIC 0.01MF 50V
C8	1-162-203-31	CERAMIC 15PF 5% 50V
C9	1-102-958-00	CERAMIC 20PF 5% 50V
C10	1-162-196-31	CERAMIC 5.6PF 10% 50V
C11	1-161-379-00	CERAMIC 0.01MF 30% 16V
C12	1-101-005-00	CERAMIC 0.022MF 50V
C13	1-162-286-31	CERAMIC 220PF 10% 50V
C14	1-161-379-00	CERAMIC 0.01MF 30% 16V
C15	1-101-005-00	CERAMIC 0.022MF 50V
C16	1-101-005-00	CERAMIC 0.022MF 50V
C17	1-124-446-11	ELECT 47MF 20% 10V
C18	1-101-005-00	CERAMIC 0.022MF 50V
C19	1-124-463-00	ELECT 0.1MF 20% 50V
C20	1-124-908-11	ELECT 22MF 20% 25V
C21	1-101-005-00	CERAMIC 0.022MF 50V
C22	1-161-055-00	CERAMIC 0.022MF 10% 25V
C23	1-101-005-00	CERAMIC 0.022MF 50V
C24	1-101-005-00	CERAMIC 0.022MF 50V
C25	1-124-908-11	ELECT 22MF 20% 25V
C26	1-161-055-00	CERAMIC 0.022MF 10% 25V
C29	1-102-934-00	CERAMIC 1PF 0.25PF 50V
C33	1-102-937-00	CERAMIC 4PF 0.25PF 50V
C38	1-161-055-00	CERAMIC 0.022MF 10% 25V
C39	1-124-463-00	ELECT 0.1MF 20% 50V
C40	1-162-282-31	CERAMIC 100PF 10% 50V
C41	1-123-875-11	ELECT 10MF 20% 50V
C42	1-124-908-11	ELECT 22MF 20% 25V

Ref.No.	Part No.	Description
C43	1-124-908-11	ELECT 22MF 20% 25V
C44	1-162-282-31	CERAMIC 100PF 10% 50V
C51	1-124-463-00	ELECT 0.1MF 20% 50V
C52	1-124-499-11	ELECT 1MF 20% 50V
C53	1-123-382-00	ELECT 3.3MF 20% 50V
C54	1-124-446-11	ELECT 47MF 20% 10V
C55	1-130-471-00	FILM 0.001MF 5% 50V
C56	1-124-499-11	ELECT 1MF 20% 50V
C57	1-161-055-00	CERAMIC 0.022MF 10% 25V
C58	1-161-055-00	CERAMIC 0.022MF 10% 25V
C59	1-124-463-00	ELECT 0.1MF 20% 50V
C60	1-124-463-00	ELECT 0.1MF 20% 50V
C101	1-162-291-11	CERAMIC 560PF 10% 50V
C102	1-162-291-31	CERAMIC 560PF 10% 50V
C103	1-162-286-31	CERAMIC 220PF 10% 50V
C104	1-162-286-31	CERAMIC 220PF 10% 50V
C105	1-161-052-00	CERAMIC 0.012MF 10% 25V
C106	1-161-020-11	CERAMIC 0.039MF 10% 25V
C107	1-124-927-11	ELECT 4.7MF 20% 50V
C108	1-124-446-11	ELECT 47MF 20% 10V
C109	1-162-282-31	CERAMIC 100PF 10% 50V
C110	1-162-294-31	CERAMIC 0.001MF 10% 50V
C111	1-124-499-11	ELECT 1MF 20% 50V
C112	1-162-286-31	CERAMIC 220PF 10% 50V
C113	1-124-446-11	ELECT 47MF 20% 10V
C114	1-161-055-00	CERAMIC 0.022MF 10% 25V
C115	1-161-054-00	CERAMIC 0.018MF 10% 25V
C116	1-124-927-11	ELECT 4.7MF 20% 50V
C117	1-162-282-31	CERAMIC 100PF 10% 50V
C118	1-124-499-11	ELECT 1MF 20% 50V
C151	1-124-927-11	ELECT 4.7MF 20% 50V
C152	1-162-291-31	CERAMIC 560PF 10% 50V
C153	1-124-446-11	ELECT 47MF 20% 10V
C154	1-124-443-00	ELECT 100MF 20% 10V
C155	1-130-497-00	MYLAR 0.15MF 5% 50V
C156	1-124-472-11	ELECT 470MF 20% 10V
C201	1-162-291-31	CERAMIC 560PF 10% 50V
C202	1-162-291-31	CERAMIC 560PF 10% 50V
C203	1-162-286-31	CERAMIC 220PF 10% 50V
C204	1-162-286-31	CERAMIC 220PF 10% 50V
C205	1-161-052-00	CERAMIC 0.012MF 10% 25V
C206	1-161-020-11	CERAMIC 0.039MF 10% 25V
C207	1-124-927-11	ELECT 4.7MF 20% 50V
C208	1-124-446-11	ELECT 47MF 20% 10V
C209	1-162-282-31	CERAMIC 100PF 10% 50V
C210	1-162-294-31	CERAMIC 0.001MF 10% 50V

Ref.No.	Part No.	Description								
C211	1-124-499-11	ELECT	1MF	20%	50V					
C212	1-162-286-31	CERAMIC	220PF	10%	50V					
C213	1-124-446-11	ELECT	47MF	20%	10V					
C214	1-161-055-00	CERAMIC	0.022MF	10%	25V					
C215	1-161-054-00	CERAMIC	0.018MF	10%	25V					
C216	1-124-927-11	ELECT	4.7MF	20%	50V					
C217	1-162-282-31	CERAMIC	100PF	10%	50V					
C218	1-124-499-11	ELECT	1MF	20%	50V					
C251	1-124-927-11	ELECT	4.7MF	20%	50V					
C252	1-162-291-31	CERAMIC	560PF	10%	50V					
C253	1-124-446-11	ELECT	47MF	20%	10V					
C254	1-124-443-00	ELECT	100MF	20%	10V					
C255	1-130-497-00	MYLAR	0.15MF	5%	50V					
C256	1-124-472-11	ELECT	470MF	20%	10V					
C301	1-124-902-00	ELECT	0.47MF	20%	50V					
C302	1-162-294-31	CERAMIC	0.001MF	10%	50V					
C303	1-124-927-11	ELECT	4.7MF	20%	50V					
C304	1-162-294-31	CERAMIC	0.001MF	10%	50V					
C305	1-124-927-11	ELECT	4.7MF	20%	50V					
C306	1-124-927-11	ELECT	4.7MF	20%	50V					
C307	1-124-444-00	ELECT	220MF	20%	10V					
C308	1-124-908-11	ELECT	22MF	20%	25V					
C309	1-124-443-00	ELECT	100MF	20%	10V					
C310	1-124-927-11	ELECT	4.7MF	20%	50V					
C311	1-124-443-00	ELECT	100MF	20%	10V					
C312	1-124-444-00	ELECT	220MF	20%	10V					
C313	1-130-467-00	MYLAR	470PF	5%	50V					
C315	1-124-446-11	ELECT	47MF	20%	10V					
C316	1-161-327-00	CERAMIC	0.0033MF	30%	16V					
C317	1-130-479-00	MYLAR	0.0047MF	5%	50V					
C318	1-161-021-11	CERAMIC	0.047MF	10%	25V					
C319	1-124-902-00	ELECT	0.47MF	20%	50V					
C320	1-161-377-00	CERAMIC	0.0047MF	30%	16V					
C321	1-124-499-11	ELECT	1MF	20%	50V					
C322	1-124-908-11	ELECT	22MF	20%	25V					
C323	1-124-908-11	ELECT	22MF	20%	25V					
C324	1-124-927-11	ELECT	4.7MF	20%	50V					
C326	1-124-908-11	ELECT	22MF	20%	25V					
C327	1-124-927-11	ELECT	4.7MF	20%	50V					
C328	1-123-875-11	ELECT	10MF	20%	50V					
C330	1-124-902-00	ELECT	0.47MF	20%	50V					
C331	1-161-021-11	CERAMIC	0.047MF	10%	25V					
C332	1-161-494-00	CERAMIC	0.022MF		25V					
C333	1-161-494-00	CERAMIC	0.022MF		25V					
C334	1-161-377-00	CERAMIC	0.0047MF	30%	16V					
C351	1-124-119-00	ELECT	330MF	20%	16V					
C352	1-130-495-00	MYLAR	0.1MF	5%	50V					
C353	1-162-294-31	CERAMIC	0.001MF	10%	50V					
C354	1-161-055-00	CERAMIC	0.022MF	10%	25V					
C355	1-124-477-11	ELECT	47MF	20%	16V					
C357	1-124-927-11	ELECT	4.7MF	20%	50V					
C358	1-124-927-11	ELECT	4.7MF	20%	50V					
C360	1-161-494-00	CERAMIC	0.022MF		25V					
C361	1-124-446-11	ELECT	47MF	20%	10V					
C362	1-126-101-11	ELECT	100MF	20%	16V					
C363	1-124-443-00	ELECT	100MF	20%	10V					
C364	1-130-497-00	MYLAR	0.15MF	5%	50V					
C365	1-130-497-00	MYLAR	0.15MF	5%	50V					
C366	1-124-443-00	ELECT	100MF	20%	10V					
C367	1-161-494-00	CERAMIC	0.022MF		25V					
C368	1-161-494-00	CERAMIC	0.022MF		25V					
C369	1-124-444-00	ELECT	220MF	20%	10V					
C371	1-123-875-11	ELECT	10MF	20%	50V					
C372	1-124-446-11	ELECT	47MF	20%	10V					
C374	1-124-464-11	ELECT	0.22MF	20%	50V					
C375	1-161-021-11	CERAMIC	0.047MF	10%	25V					
C377	1-124-446-11	ELECT	47MF	20%	10V					
C379	1-101-005-00	CERAMIC	0.022MF		50V					
C380	1-161-494-00	CERAMIC	0.022MF		25V					
C401	1-124-499-11	ELECT	1MF	20%	50V					
C402	1-162-282-31	CERAMIC	100PF	10%	50V					
C403	1-161-059-00	CERAMIC	0.047MF	10%	50V					
C404	1-124-499-11	ELECT	1MF	20%	50V					
C405	1-161-379-00	CERAMIC	0.01MF	30%	16V					
C406	1-124-252-00	ELECT	0.33MF	20%	50V					
C407	1-124-463-00	ELECT	0.1MF	20%	50V					
C408	1-161-377-00	CERAMIC	0.0047MF	30%	16V					
C409	1-162-291-31	CERAMIC	560PF	10%	50V					
C410	1-161-379-00	CERAMIC	0.01MF	30%	16V					
C412	1-124-927-11	ELECT	4.7MF	20%	50V					
C413	1-124-927-11	ELECT	4.7MF	20%	50V					
C414	1-124-464-11	ELECT	0.22MF	20%	50V					
C415	1-161-375-00	CERAMIC	0.0022MF	30%	16V					
C431	1-124-446-11	ELECT	47MF	20%	10V					
C451	1-124-499-11	ELECT	1MF	20%	50V					
C452	1-162-282-31	CERAMIC	100PF	10%	50V					
C453	1-161-059-00	CERAMIC	0.047MF	10%	50V					
C454	1-124-499-11	ELECT	1MF	20%	50V					
C455	1-161-379-00	CERAMIC	0.01MF	30%	16V					
C456	1-124-252-00	ELECT	0.33MF	20%	50V					
C457	1-124-463-00	ELECT	0.1MF	20%	50V					
C458	1-161-377-00	CERAMIC	0.0047MF	30%	16V					
C459	1-162-291-31	CERAMIC	560PF	10%	50V					
C460	1-161-379-00	CERAMIC	0.01MF	30%	16V					
C462	1-124-927-11	ELECT	4.7MF	20%	50V					
C463	1-124-927-11	ELECT	4.7MF	20%	50V					
C464	1-124-464-11	ELECT	0.22MF	20%	50V					
C465	1-161-375-00	CERAMIC	0.0022MF	30%	16V					
C801	1-101-005-00	CERAMIC	0.022MF		50V					
C802	1-101-005-00	CERAMIC	0.022MF		50V					
C803	1-101-005-00	CERAMIC	0.022MF		50V					
C804	1-124-898-11	ELECT	4700MF	20%	16V					
CF1	1-567-802-11	FILTER, CERAMIC (10.7MHZ)								
CF2	1-567-802-11	FILTER, CERAMIC (10.7MHZ)								
CF3	1-527-954-00	FILTER, MECHANICAL (455KHZ)								
CNJ3	*1-563-209-11	CONNECTOR, SMALL MICRO 9P								
CNJ4	*1-563-207-11	CONNECTOR, SMALL MICRO 7P								
CNJ801A	1-526-818-11	INLET, AC (SWITCH DC-AC)								
CNP1	*1-506-707-11	PLUG, CONNECTOR (2.5MM) 3P								
CNP2	*1-564-778-11	PLUG, CONNECTOR (2.5MM) 4P								
CNP3	*1-506-711-11	PLUG, CONNECTOR (2.5MM) 9P								
CNP4	*1-506-709-11	PLUG, CONNECTOR (2.5MM) 7P								
CNP5	*1-564-777-11	PLUG, CONNECTOR (2.5MM) 2P								
CNP7	*1-564-778-11	PLUG, CONNECTOR (2.5MM) 4P								
CNP8	*1-506-708-11	PLUG, CONNECTOR (2.5MM) 5P								

**Note:**

The components identified by mark  $\Delta$  or dotted line with mark  $\Delta$  are critical for safety. Replace only with part number specified.

**Note:**

Les composants identifiés par une marque  $\Delta$  sont critiques pour la sécurité. Ne les remplacer que par une pièce portant le numéro spécifié.

Ref.No.	Part No.	Description
CNP10	*1-560-530-00	PIN, CONNECTOR 2P
CNP431	*1-564-782-11	PIN, CONNECTOR 4P
CNP432	*1-564-781-11	PIN, CONNECTOR 3P
CP1	1-236-022-11	FILTER, BAND PASS (FM)
CT1-4 CV1-4	1-151-372-21	CAP, TUNING, POLYETHYLENE TUNING)
D1	8-719-911-19	DIODE 1SS119
D2	8-719-911-19	DIODE 1SS119
D3	8-719-911-19	DIODE 1SS119
D5	8-719-768-75	DIODE 1S2687CS
D51	8-719-911-19	DIODE 1SS119
D52	8-719-948-63	DIODE SLR-34VR3 (LED)(FM STEREO)
D301	8-719-911-19	DIODE 1SS119
D302	8-719-911-19	DIODE 1SS119
D303	8-719-948-63	DIODE SLR-34VR3 (LED)(OPR/BATT)
D307	8-719-911-19	DIODE 1SS119
D308	8-719-911-19	DIODE 1SS119
D309	8-719-911-19	DIODE 1SS119
D351	8-719-911-19	DIODE 1SS119
D354	8-719-911-19	DIODE 1SS119
D356	8-719-100-41	DIODE MTZJ-T-77-6.8B
D357	8-719-911-19	DIODE 1SS119
D358	8-719-911-19	DIODE 1SS119
D359	8-719-911-19	DIODE 1SS119
D362	8-719-923-56	DIODE MTZJ-T-77-8.2B
D363	8-719-923-56	DIODE MTZJ-T-77-8.2B
D364	8-719-911-19	DIODE 1SS119
D365	8-719-911-19	DIODE 1SS119
D366	8-719-911-19	DIODE 1SS119
D481	8-719-911-19	DIODE 1SS119
D801	1-808-042-11	DIODE 1N5401-M
D802	1-808-042 11	DIODE 1N5401-M
D803	1-808-042-11	DIODE 1N5401-M
D804	1-808-042-11	DIODE 1N5401-M
ECM1	8-814-186-00	MICROPHONE, ELECTRET CONDENSER (MIC)
HE101	1-543-525-11	HEAD, MAGNETIC (ERASE)
HP101	1-543-283-11	HEAD, MAGNETIC (PB)
HRP201	1-543-283-11	HEAD, MAGNETIC (REC/PB)
IC1	8-759-204-03	IC TA7358AP
IC2	8-759-801-24	IC LA1260S
IC51	8-759-203-87	IC TA7343AP
IC301	1-808-373-11	IC LA3246
IC302	8-759-803-28	IC CXA1116S
IC303	8-759-820-22	IC LA4597
IC304	8-759-820-22	IC LA4597
IC305	8-759-905-47	IC BA338
IC401	8-759-972-97	IC BA3823LS
J301	1-563-330-11	JACK (MIX MIC)
J303	1-566-891-11	JACK (HEADPHONES)
J304	1-563-716-11	JACK, PIN (CD/LINE IN)
L1	1-422-317-11	COIL, VHF
L2	1-459-815-11	COIL (WITH CORE)
L3	1-406-040-00	COIL (OSC)
L4	1-402-158-11	ANTENNA, FERRITE-ROD (MW)
L101	1-410-064-11	INDUCTOR 2.7MMH
L201	1-410-064-11	INDUCTOR 2.7MMH

Ref.No.	Part No.	Description			
M471	1-541-317-11	MOTOR (DECK B)			
M481	1-541-330-11	MOTOR (CW)(DECK A)			
PM481	1-454-355-00	SOLENOID, PLUNGER			
Q1	8-729-281-53	TRANSISTOR 2SC1815GR			
Q151	8-729-281-53	TRANSISTOR 2SC1815GR			
Q251	8-729-281-53	TRANSISTOR 2SC1815GR			
Q301	8-729-281-53	TRANSISTOR 2SC1815GR			
Q302	8-729-281-53	TRANSISTOR 2SC1815GR			
Q304	8-729-100-12	TRANSISTOR 2SC2001-L			
Q351	8-729-281-53	TRANSISTOR 2SC1815GR			
Q358	8-729-100-12	TRANSISTOR 2SC2001-L			
Q359	8-729-800-80	TRANSISTOR DTC114ES			
Q360	8-729-281-53	TRANSISTOR 2SC1815GR			
Q361	8-729-115-30	TRANSISTOR 2SK105A-30			
Q362	8-729-115-30	TRANSISTOR 2SK105A-30			
Q363	8-759-800-80	TRANSISTOR DTC114ES			
Q364	8-729-281-53	TRANSISTOR 2SC1815GR			
Q365	8-729-900-80	TRANSISTOR DTC114ES			
Q368	8-729-195-23	TRANSISTOR 2SA952			
Q369	8-729-904-27	TRANSISTOR 2SD1761-E			
Q370	8-729-900-80	TRANSISTOR DTC114ES			
Q371	8-729-195-23	TRANSISTOR 2SA952			
Q372	8-729-904-27	TRANSISTOR 2SD1761-E			
Q373	8-729-900-80	TRANSISTOR DTC114ES			
Q374	8-729-900-61	TRANSISTOR DTA114ES			
Q375	8-729-900-80	TRANSISTOR DTC114ES			
R1	1-249-414-11	CARBON	560	5%	1/4W
R2	1-249-417-11	CARBON	1K	5%	1/4W
R3	1-249-397-11	CARBON	22	5%	1/4W
R4	1-249-441-11	CARBON	100K	5%	1/4W
R5	1-249-441-11	CARBON	100K	5%	1/4W
R6	1-247-891-00	CARBON	330K	5%	1/4W
R8	1-249-405-11	CARBON	100	5%	1/4W
R10	1-249-426-11	CARBON	5.6K	5%	1/4W
R11	1-249-441-11	CARBON	100K	5%	1/4W
R13	1-249-433-11	CARBON	22K	5%	1/4W
R14	1-249-437-11	CARBON	47K	5%	1/4W
R15	1-249-441-11	CARBON	100K	5%	1/4W
R16	1-249-421-11	CARBON	2.2K	5%	1/4W
R17	1-249-435-11	CARBON	33K	5%	1/4W
R18	1-215-418-00	METAL	750	1%	1/6W
R19	1-249-402-11	CARBON	56	5%	1/4W
R21	1-249-397-11	CARBON	22	5%	1/4W
R23	1-249-435-11	CARBON	33K	5%	1/4W
R51	1-249-417-11	CARBON	1K	5%	1/4W
R52	1-249-429-11	CARBON	10K	5%	1/4W
R53	1-249-416-11	CARBON	820	5%	1/4W
R54	1-247-887-00	CARBON	220K	5%	1/4W
R55	1-249-402-11	CARBON	56	5%	1/4W
R56	1-249-423-11	CARBON	3.3K	5%	1/4W
R57	1-249-423-11	CARBON	3.3K	5%	1/4W
R58	1-249-434-11	CARBON	27K	5%	1/4W
R59	1-249-434-11	CARBON	27K	5%	1/4W
R101	1-249-439-11	CARBON	68K	5%	1/4W
R102	1-249-433-11	CARBON	22K	5%	1/4W
R103	1-249-430-11	CARBON	12K	5%	1/4W
R104	1-249-404-00	CARBON	82	5%	1/4W
R105	1-249-429-11	CARBON	10K	5%	1/4W
R106	1-249-421-11	CARBON	2.2K	5%	1/4W

Ref.No.	Part No.	Description							
R107	1-249-429-11	CARBON	10K	5%	1/4W				
R108	1-249-429-11	CARBON	10K	5%	1/4W				
R109	1-249-441-11	CARBON	100K	5%	1/4W				
R110	1-249-428-11	CARBON	8.2K	5%	1/4W				
R111	1-249-421-11	CARBON	2.2K	5%	1/4W				
R112	1-249-430-11	CARBON	12K	5%	1/4W				
R113	1-249-429-11	CARBON	10K	5%	1/4W				
R114	1-215-464-00	METAL	62K	1%	1/6W				
R115	1-249-429-11	CARBON	10K	5%	1/4W				
R116	1-249-413-11	CARBON	470	5%	1/4W				
R117	1-249-408-11	CARBON	180	5%	1/4W				
R118	1-249-428-11	CARBON	8.2K	5%	1/4W				
R119	1-249-417-11	CARBON	1K	5%	1/4W				
R120	1-249-417-11	CARBON	1K	5%	1/4W				
R151	1-249-425-11	CARBON	4.7K	5%	1/4W				
R152	1-249-405-11	CARBON	100	5%	1/4W				
R153	1-249-403-11	CARBON	68	5%	1/4W				
R155	1-247-889-00	CARBON	270K	5%	1/4W				
R156	1-249-426-11	CARBON	5.6K	5%	1/4W				
R201	1-249-439-11	CARBON	68K	5%	1/4W				
R202	1-249-433-11	CARBON	22K	5%	1/4W				
R203	1-249-430-11	CARBON	12K	5%	1/4W				
R204	1-249-404-00	CARBON	82	5%	1/4W				
R205	1-249-429-11	CARBON	10K	5%	1/4W				
R206	1-249-421-11	CARBON	2.2K	5%	1/4W				
R207	1-249-429-11	CARBON	10K	5%	1/4W				
R208	1-249-429-11	CARBON	10K	5%	1/4W				
R209	1-249-441-11	CARBON	100K	5%	1/4W				
R210	1-249-428-11	CARBON	8.2K	5%	1/4W				
R211	1-249-421-11	CARBON	2.2K	5%	1/4W				
R212	1-249-430-11	CARBON	12K	5%	1/4W				
R213	1-249-429-11	CARBON	10K	5%	1/4W				
R214	1-215-464-00	CARBON	62K	1%	1/6W				
R215	1-249-429-11	CARBON	10K	5%	1/4W				
R216	1-249-413-11	CARBON	470	5%	1/4W				
R217	1-249-408-11	CARBON	180	5%	1/4W				
R218	1-249-428-11	CARBON	8.2K	5%	1/4W				
R219	1-249-417-11	CARBON	1K	5%	1/4W				
R220	1-249-417-11	CARBON	1K	5%	1/4W				
R251	1-249-425-11	CARBON	4.7K	5%	1/4W				
R252	1-249-405-11	CARBON	100	5%	1/4W				
R253	1-249-403-11	CARBON	68	5%	1/4W				
R255	1-247-889-00	CARBON	270K	5%	1/4W				
R256	1-249-426-11	CARBON	5.6K	5%	1/4W				
R301	1-249-429-11	CARBON	10K	5%	1/4W				
R302	1-249-426-11	CARBON	5.6K	5%	1/4W				
R303	1-249-421-11	CARBON	2.2K	5%	1/4W				
R304	1-249-410-11	CARBON	270	5%	1/4W				
R305	1-249-405-11	CARBON	100	5%	1/4W				
R306	1-249-441-11	CARBON	100K	5%	1/4W				
R307	1-249-409-11	CARBON	220	5%	1/4W				
R309	1-249-426-11	CARBON	5.6K	5%	1/4W				
R310	1-249-441-11	CARBON	100K	5%	1/4W				
R311	1-249-429-11	CARBON	10K	5%	1/4W				
R312	1-249-441-11	CARBON	100K	5%	1/4W				
R313	1-249-402-11	CARBON	56	5%	1/4W				
R314	1-247-895-00	CARBON	470K	5%	1/4W				
R315	1-249-429-11	CARBON	10K	5%	1/4W				
R316	1-249-421-11	CARBON	2.2K	5%	1/4W				
R317	1-249-393-11	CARBON	10	5%	1/4W				
R318	1-249-429-11	CARBON	10K	5%	1/4W				
R319	1-249-411-11	CARBON	330	5%	1/4W				
R320	1-249-402-11	CARBON	56	5%	1/4W				
R321	1-249-429-11	CARBON	10K	5%	1/4W				
R322	1-249-426-11	CARBON	5.6K	5%	1/4W				
R323	1-249-441-11	CARBON	100K	5%	1/4W				
R324	1-247-887-00	CARBON	220K	5%	1/4W				
R325	1-249-409-11	CARBON	220	5%	1/4W				
R326	1-215-394-00	METAL	75	1%	1/6W				
R327	1-249-415-11	CARBON	680	5%	1/4W				
R328	1-215-406-00	METAL	240	1%	1/6W				
R333	1-249-405-11	CARBON	100	5%	1/4W				
R335	1-249-402-11	CARBON	56	5%	1/4W				
R337	1-249-429-11	CARBON	10K	5%	1/4W				
R339	1-215-394-00	METAL	75	1%	1/6W				
R345	1-249-437-11	CARBON	47K	5%	1/4W				
R348	1-249-429-11	CARBON	10K	5%	1/4W				
R351	1-249-429-11	CARBON	10K	5%	1/4W				
R352	1-215-489-00	METAL	680K	1%	1/6W				
R353	1-249-429-11	CARBON	10K	5%	1/4W				
R354	1-249-427-11	CARBON	6.8K	5%	1/4W				
R359	1-249-429-11	CARBON	10K	5%	1/4W				
R360	1-249-418-11	CARBON	1.2K	5%	1/4W				
R361	1-247-804-11	CARBON	75	5%	1/4W				
R362	1-247-804-11	CARBON	75	5%	1/4W				
R363	1-249-417-11	CARBON	1K	5%	1/4W				
R364	1-217-640-11	FUSIBLE	3.3	5%	1/4W	F			
R365	1-217-640-11	FUSIBLE	3.3	5%	1/4W	F			
R366	1-249-437-11	CARBON	47K	5%	1/4W				
R367	1-249-429-11	CARBON	10K	5%	1/4W				
R368	1-249-421-11	CARBON	2.2K	5%	1/4W				
R369	1-249-429-11	CARBON	10K	5%	1/4W				



Ref.No.	Part No.	Description				
R370	△1-217-637-00	(US)...FUSIBLE	1	5%	1/4W	F
R371	1-249-421-11	CARBON	2.2K	5%	1/4W	
R372	1-249-429-11	CARBON	10K	5%	1/4W	
R373	△1-217-641-11	(Canadian)...FUSIBLE	4.7	5%	1/4W	F
R374	1-249-408-11	CARBON	180	5%	1/4W	
R375	1-249-411-11	CARBON	330	5%	1/4W	
R376	1-249-426-11	CARBON	5.6K	5%	1/4W	
R377	1-249-441-11	CARBON	100K	5%	1/4W	
R378	1-249-441-11	CARBON	100K	5%	1/4W	
R379	1-249-426-11	CARBON	5.6K	5%	1/4W	
R380	△1-217-637-00	(US)...FUSIBLE	1	5%	1/4W	F
R382	1-249-429-11	CARBON	10K	5%	1/4W	
R383	1-249-429-11	CARBON	10K	5%	1/4W	
R384	1-249-429-11	CARBON	10K	5%	1/4W	
R385	1-249-429-11	CARBON	10K	5%	1/4W	
R387	1-249-413-11	CARBON	470	5%	1/4W	
R388	1-215-394-00	METAL	75	1%	1/6W	
R389	1-249-407-11	CARBON	150	5%	1/4W	
R390	△1-217-638-00	FUSIBLE	1.5	5%	1/4W	F
R391	1-249-413-11	CARBON	470	5%	1/4W	
R392	△1-217-638-00	FUSIBLE	1.5	5%	1/4W	F
R393	1-249-407-11	CARBON	150	5%	1/4W	
R394	1-215-394-00	METAL	75	1%	1/6W	
R397	△1-217-639-00	FUSIBLE	2.2	5%	1/4W	F
R398	1-249-425-11	CARBON	4.7K	5%	1/4W	
R399	1-249-437-11	CARBON	47K	5%	1/4W	
R401	1-249-417-11	CARBON	1K	5%	1/4W	
R402	1-249-418-11	CARBON	1.2K	5%	1/4W	
R404	1-249-417-11	CARBON	1K	5%	1/4W	
R451	1-249-417-11	CARBON	1K	5%	1/4W	
R452	1-249-418-11	CARBON	1.2K	5%	1/4W	
R454	1-249-417-11	CARBON	1K	5%	1/4W	
RV51	1-228-993-00	RES, ADJ, CARBON 5K (VCO)				
RV301	1-230-720-11	RES, ADJ, CARBON 5K (MD-A HIGH SPEED)				
RV302	1-230-719-11	RES, ADJ, CARBON 2K (MD-A NORMAL SPEED)				
RV303	1-230-719-11	RES, ADJ, CARBON 2K (MD-B NORMAL SPEED)				
RV304	1-230-720-11	RES, ADJ, CARBON 5K (MD-B HIGH SPEED)				
RV431	1-238-067-11	RES, VAR, SLIDE 100K (BASS BOOST)				
RV432	1-238-066-11	RES, VAR, SLIDE 100K (400Hz)				
RV433	1-238-066-11	RES, VAR, SLIDE 100K (1kHz)				
RV434	1-238-066-11	RES, VAR, SLIDE 100K (10kHz)				
RV435	1-238-068-11	RES, VAR, SLIDE 20K (VOLUME)				

Ref.No.	Part No.	Description
S1	1-571-443-11	SWITCH, SLIDE (BAND FM/AM)
S301	1-571-439-11	SWITCH, SLIDE (REC/PB)
S302	1-571-441-11	SWITCH, SLIDE (FUNCTION)
S303	1-571-331-11	SWITCH, LEAF (MD-B ON)
S304	1-571-042-11	SWITCH, PUSH (1 KEY)(DUBBING SPEED)
S305	1-571-042-11	SWITCH, PUSH (1 KEY)(TAPE SELECT)
S306	1-571-043-11	SWITCH, PUSH (1 KEY)(REC MUTE)
S471	1-554-495-00	SWITCH, LEAF (MD-B POWER FF/REW)
S481	1-554-495-00	SWITCH, LEAF (MD-A POWER)
S482	1-570-012-11	SWITCH, LEAF (MD-A FF/REW)
SP901	1-503-492-11	SPEAKER (LEFT)
SP902	1-503-492-11	SPEAKER (RIGHT)
SP903	1-503-933-11	SPEAKER (MEGA BASS)
T1	1-403-872-00	I.F.T CONVERTER FM (SMALL TYPE)
T2	1-404-249-00	COIL, FM DETECTOR
T3	1-404-158-11	COIL, IFT
T301	1-433-222-00	TRANSFORMER, BIAS OSCILLATOR
T801	△1-449-199-11	TRANSFORMER, POWER

ACCESSORY & PACKING MATERIAL

△1-559-047-11	(US).....CORD, POWER
△1-559-049-11	(Canadian)...CORD, POWER
3-334-173-01	SHEET, PROTECTION
*3-346-158-01	(US).....INDIVIDUAL CARTON
*3-346-159-01	(Canadian)...INDIVIDUAL CARTON
*3-346-169-01	CUSHION (UPPER)
*3-346-170-01	CUSHION (LOWER)
3-703-390-01	(US).....INSTRUCTION
3-769-890-21	MANUAL, INSTRUCTION
3-769-890-31	(Canadian)...MANUAL, INSTRUCTION

**Note:**

The components identified by mark △ or dotted line with mark △ are critical for safety. Replace only with part number specified.

**Note:**

Les composants identifiés par une marque △ sont critiques pour la sécurité. Ne les remplacer que par une pièce portant le numéro spécifié.