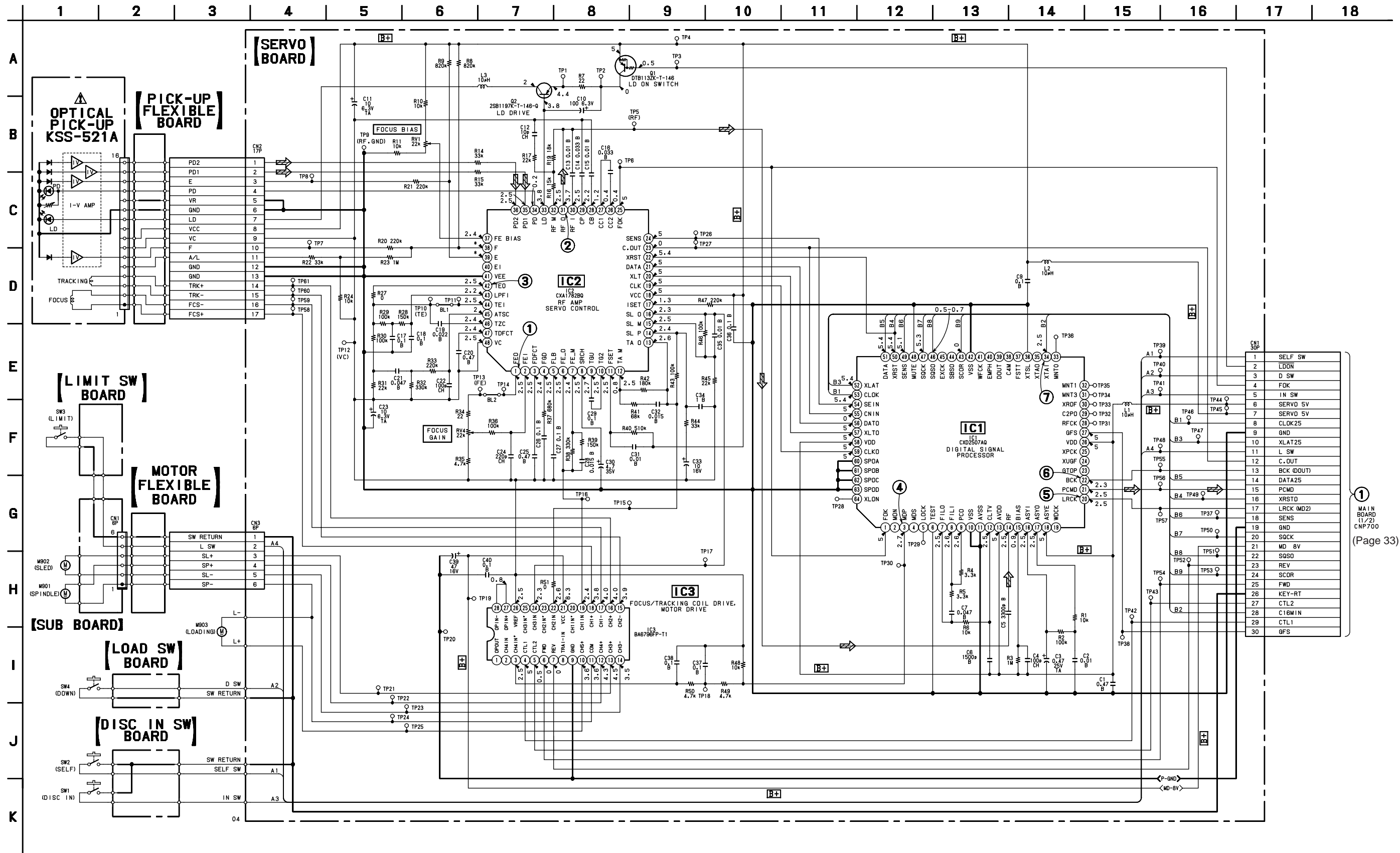
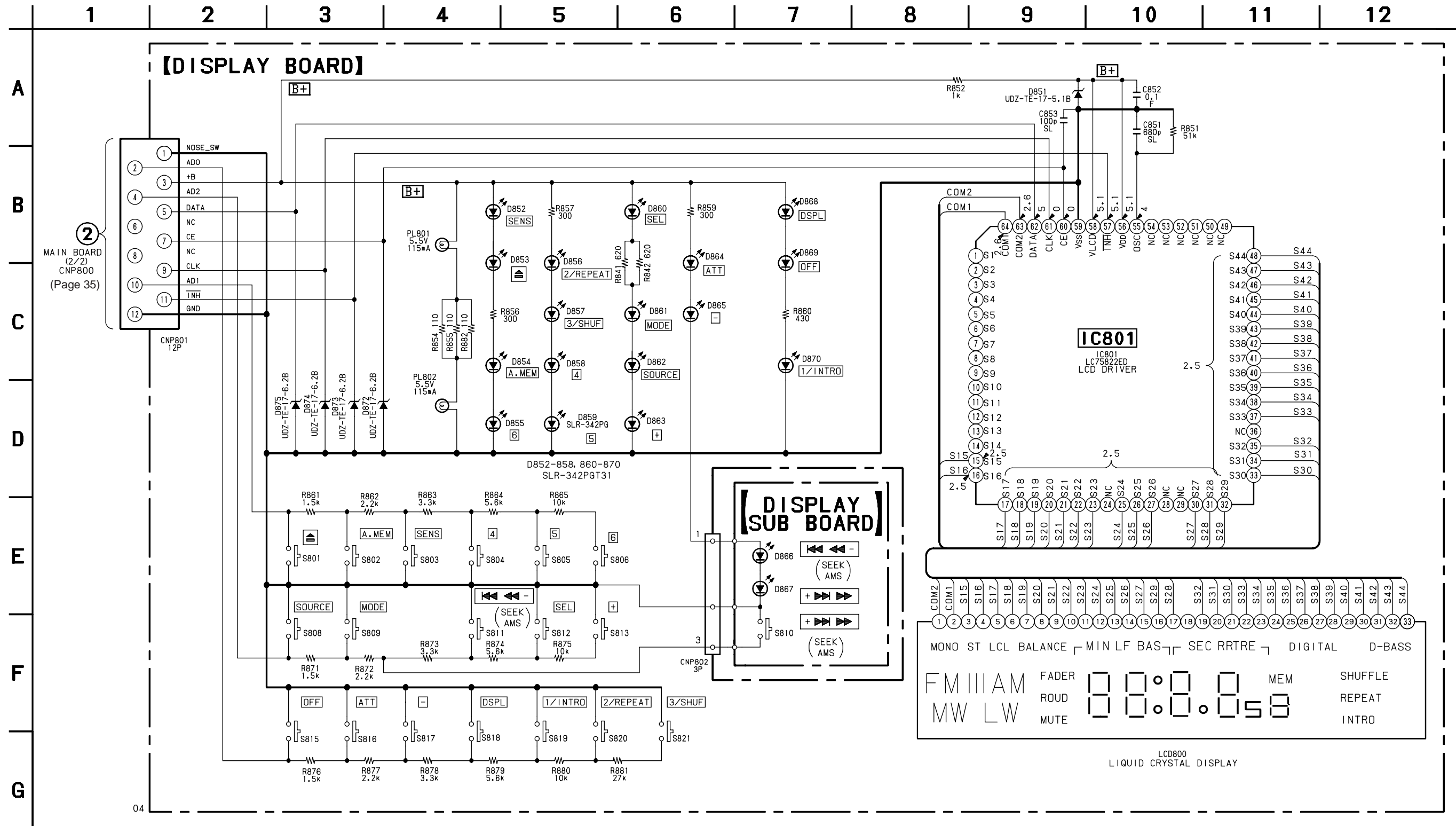


4-4. SCHEMATIC DIAGRAM — CD MECHANISM SECTION — • Refer to page 22 for Waveforms and Note and page 37 for IC Block Diagrams.



1 MAIN BOARD (1/2) CNP700 (Page 33)

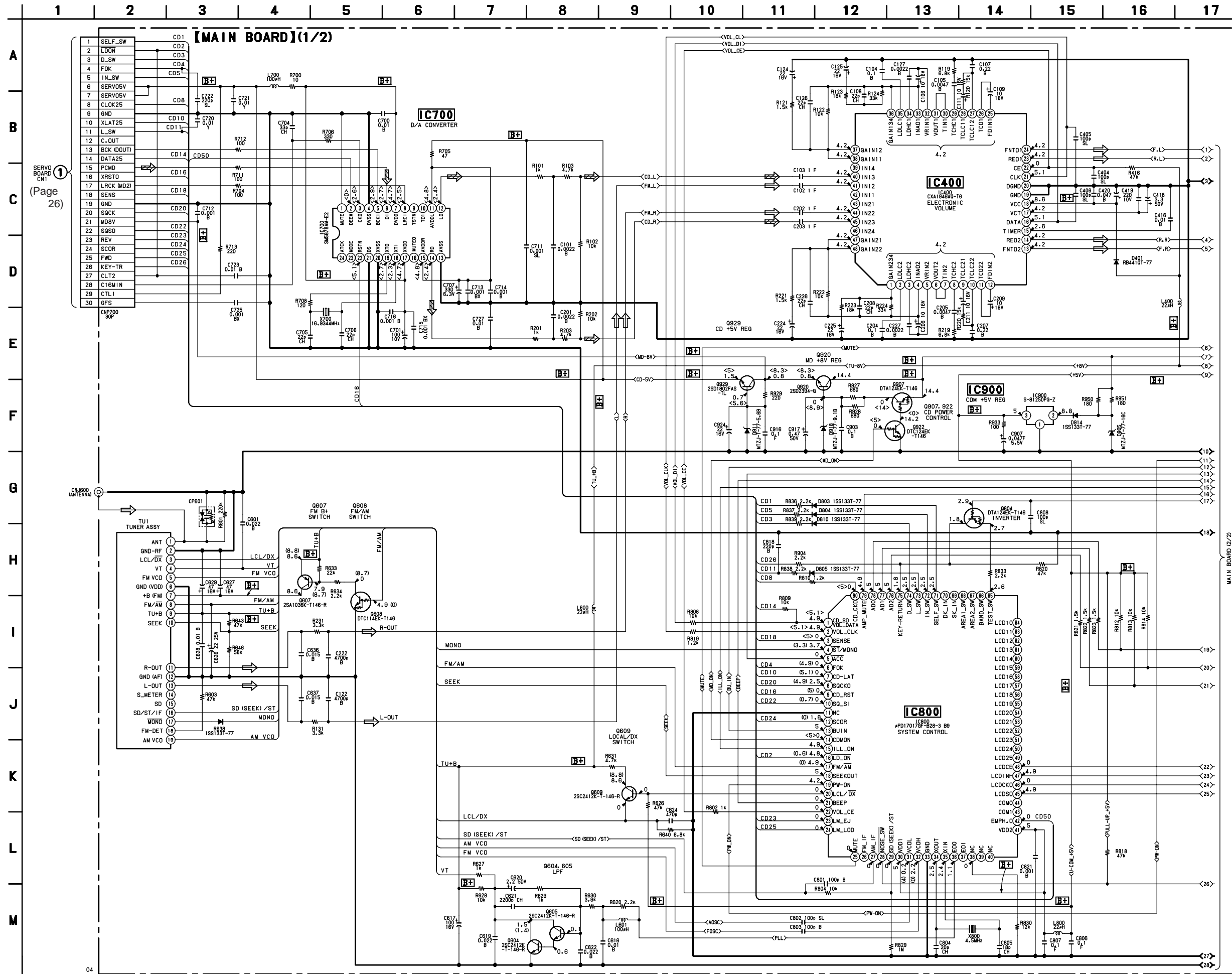
4-6. SCHEMATIC DIAGRAM — DISPLAY SECTION —



**Note:**

- All capacitors are in  $\mu\text{F}$  unless otherwise noted. pF:  $\mu\text{pF}$  50 WV or less are not indicated except for electrolytics and tantalums.
- All resistors are in  $\Omega$  and  $\frac{1}{4}W$  or less unless otherwise specified.
- **[B+]** : B+ Line.
- Power voltage is dc 14.4V and fed with regulated dc power supply from ACC and BATT cords.
- : panel designation.
- Voltage is dc with respect to ground under no-signal (detuned) condition. no mark : FM
- Voltages are taken with a VOM (Input impedance 10 M $\Omega$ ). Voltage variations may be noted due to normal production tolerances.

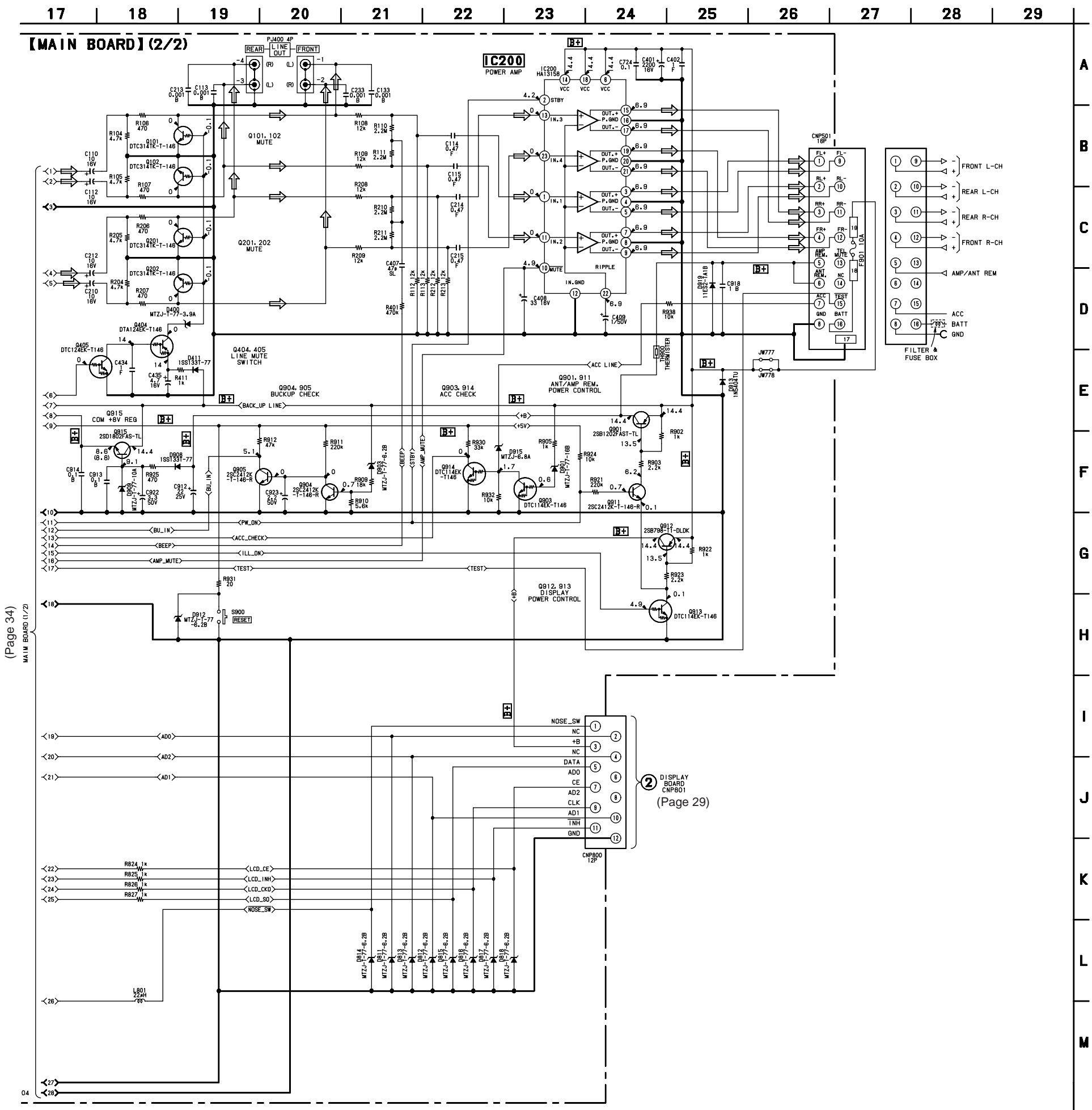
4-8. SCHEMATIC DIAGRAM — MAIN SECTION (1/2) — • Refer to page 36 for Note and page 39 for IC Block Diagrams.



SERV0 BOARD CN1 (Page 26)

MAIN BOARD (Page 35)

4-9. SCHEMATIC DIAGRAM — MAIN SECTION (2/2) —



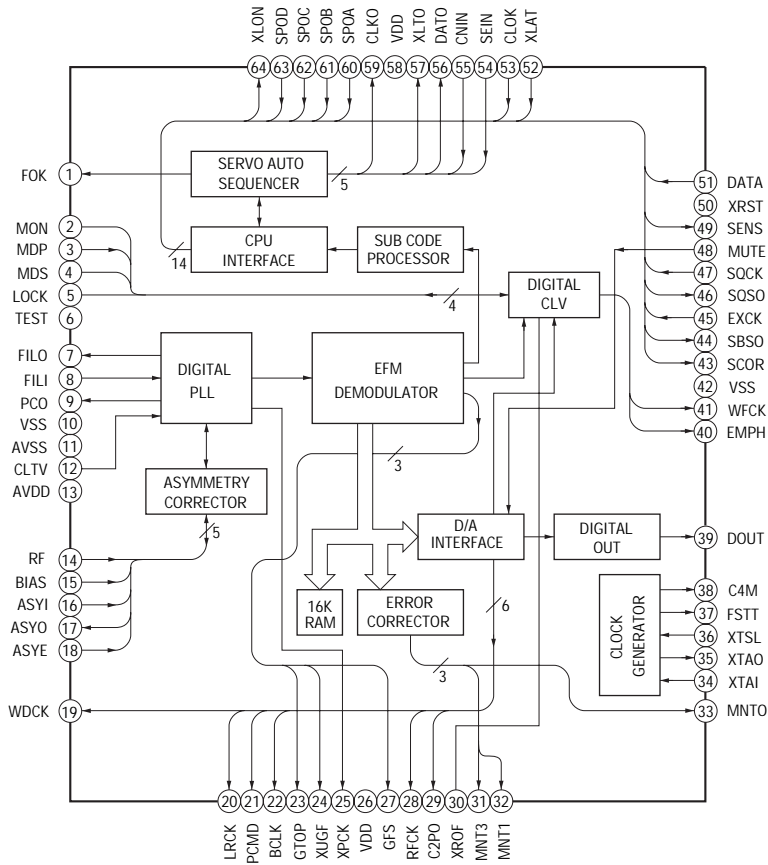
**Note:**

- All capacitors are in  $\mu\text{F}$  unless otherwise noted. pF:  $\mu\text{pF}$  50 WV or less are not indicated except for electrolytics and tantalums.
- All resistors are in  $\Omega$  and  $1/4\text{W}$  or less unless otherwise specified.
- $\Delta$  : internal component.
- $\square$  : panel designation.
- B+** : B+ Line.
- Power voltage is dc 14.4V and fed with regulated dc power supply from ACC and BATT cords.
- Voltage is dc with respect to ground under no-signal (detuned) condition.
  - no mark : FM
  - ( ) : AM
  - < > : CD PLAY
- Voltages are taken with a VOM (Input impedance 10 M $\Omega$ ). Voltage variations may be noted due to normal production tolerances.
- Signal path.
  - $\square$  : FM/AM
  - $\square$  : CD

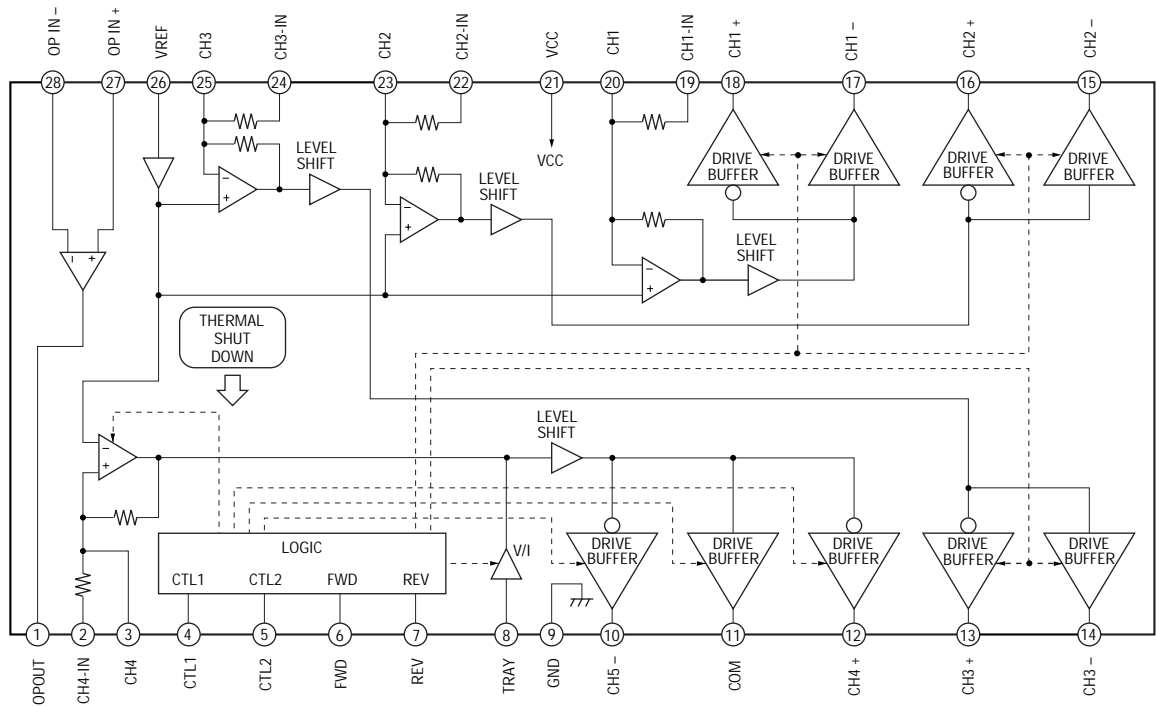
(Page 34)

• IC Block Diagrams

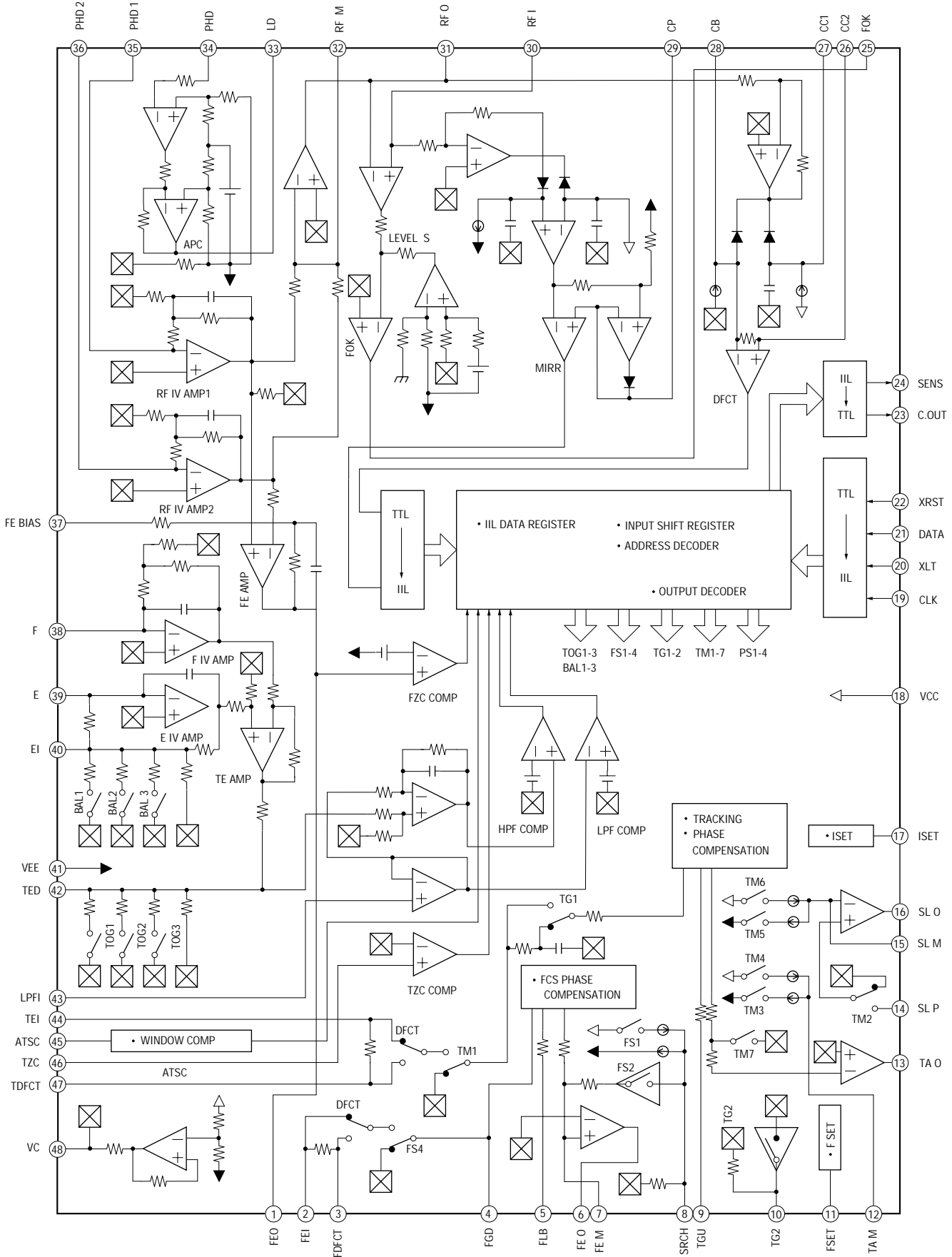
IC1 CXD2507AQ



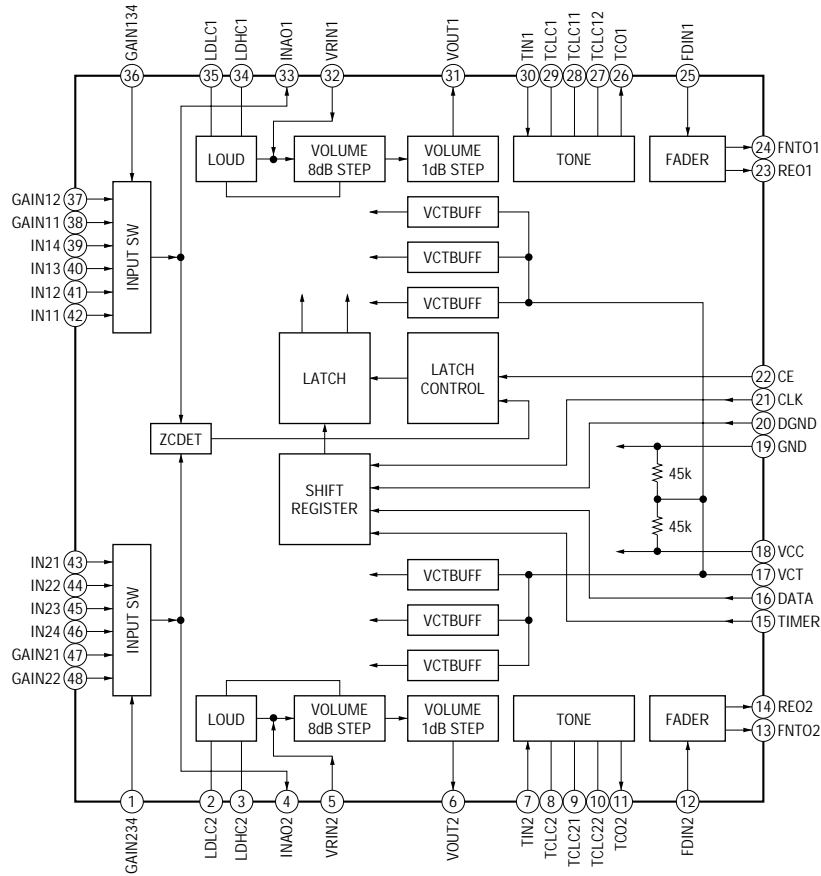
IC3 BA6796FP-T1



IC2 CXA1782BQ



### IC400 CXA1946AQ-T6



### IC700 SM5878AM-E2

