

CDX-L510X

SERVICE MANUAL

Ver 1.1 2003.06

US Model
Canadian Model



- The tuner and CD sections have no adjustments.

AUDIO POWER SPECIFICATIONS (US Model)

POWER OUTPUT AND TOTAL HARMONIC DISTORTION
23.2 watts per channel minimum continuous average power into
4 ohms, 4 channels driven from 20 Hz to 20 kHz with no more
than 5% total harmonic distortion.

CD player section

Signal-to-noise ratio 90 dB
Frequency response 10 – 20,000 Hz
Wow and flutter Below measurable limit

Tuner section

FM

Tuning range 87.5 – 107.9 MHz
Antenna terminal External antenna connector
Intermediate frequency 10.7 MHz
Usable sensitivity 11 dBf
Selectivity 75 dB at 400 kHz
Signal-to-noise ratio 65 dB (stereo),
68 dB (mono)
Harmonic distortion at 1 kHz
0.7% (stereo),
0.5% (mono)
Separation 33 dB at 1 kHz
Frequency response 30 – 15,000 Hz

AM

Tuning range 530 – 1,710 kHz
Antenna terminal External antenna connector
Intermediate frequency 10.7 MHz/450 kHz
Sensitivity AM: 30 μ V

Power amplifier section

Outputs Speaker outputs
(sure seal connectors)
Speaker impedance 4 – 8 ohms
Maximum power output 50 W \times 4 (at 4 ohms)

Model Name Using Similar Mechanism	CDX-L280
CD Drive Mechanism Type	MG-393XC-121//K
Optical Pick-up Name	KSS-721A

SPECIFICATIONS

General

Outputs Audio outputs (rear)
Power antenna relay control terminal
Power amplifier control terminal
Inputs Remote controller input terminal
Antenna input terminal
Tone controls Low: ± 10 dB at 60 Hz (XPLOD)
Mid: ± 10 dB at 1 kHz (XPLOD)
High: ± 10 dB at 10 kHz (XPLOD)
Power requirements 12 V DC car battery
(negative ground)
Dimensions Approx. 178 \times 50 \times 180 mm
(7 1/8 \times 2 \times 7 1/8 in.) (w/h/d)
Mounting dimensions Approx. 182 \times 53 \times 161 mm
(7 1/4 \times 2 1/8 \times 6 3/8 in.) (w/h/d)
Mass Approx. 1.2 kg
(2 lb. 10 oz.)
Supplied accessories Parts for installation and connections
Front panel case (1)
Card remote commander
RM-X115

Note

This unit cannot be connected to a digital preamplifier or an equalizer.

Design and specifications are subject to change without notice.

FM/AM COMPACT DISC PLAYER

9-874-231-02

2003F04-1

© 2003. 06

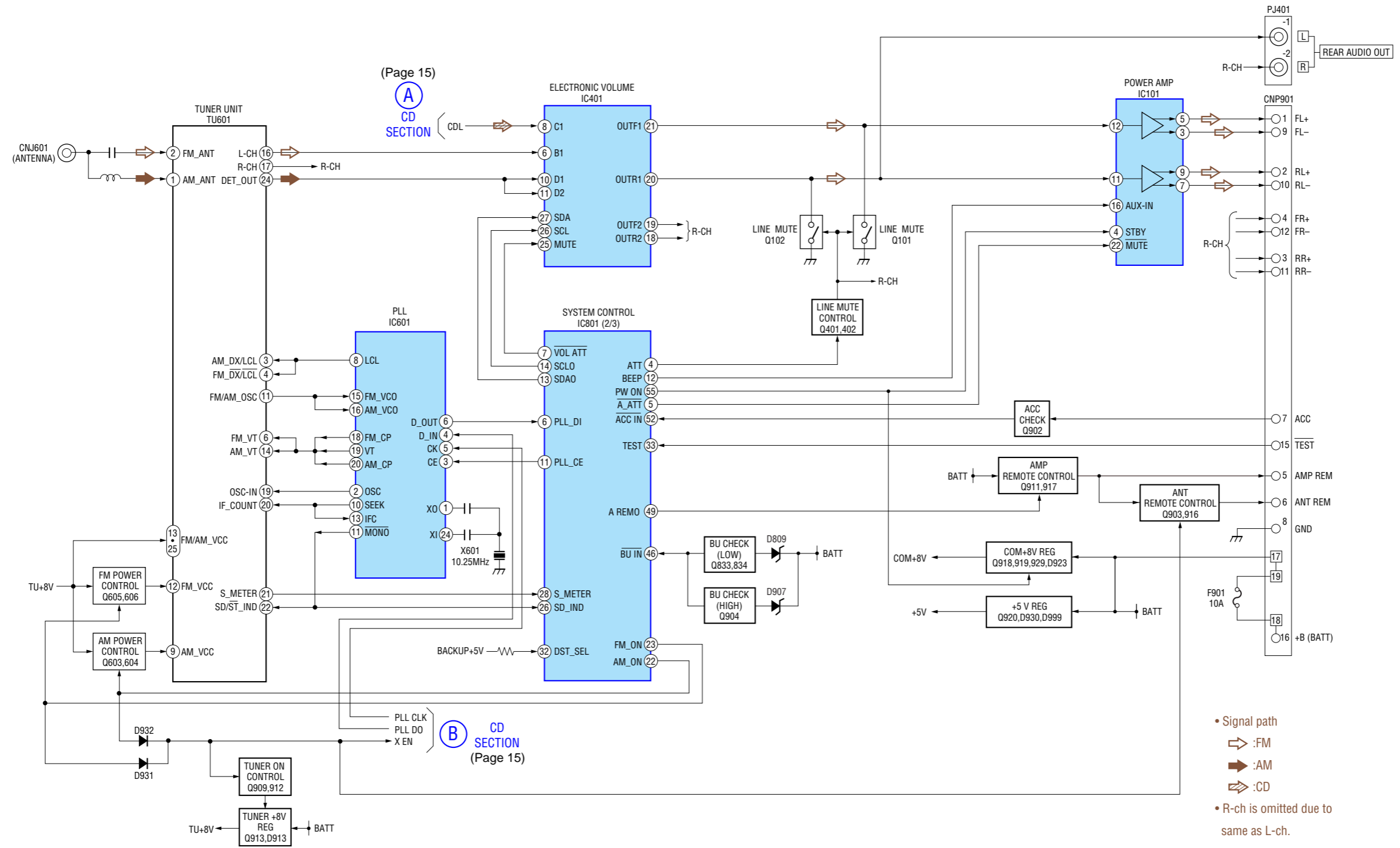
Sony Corporation

e Vehicle Company

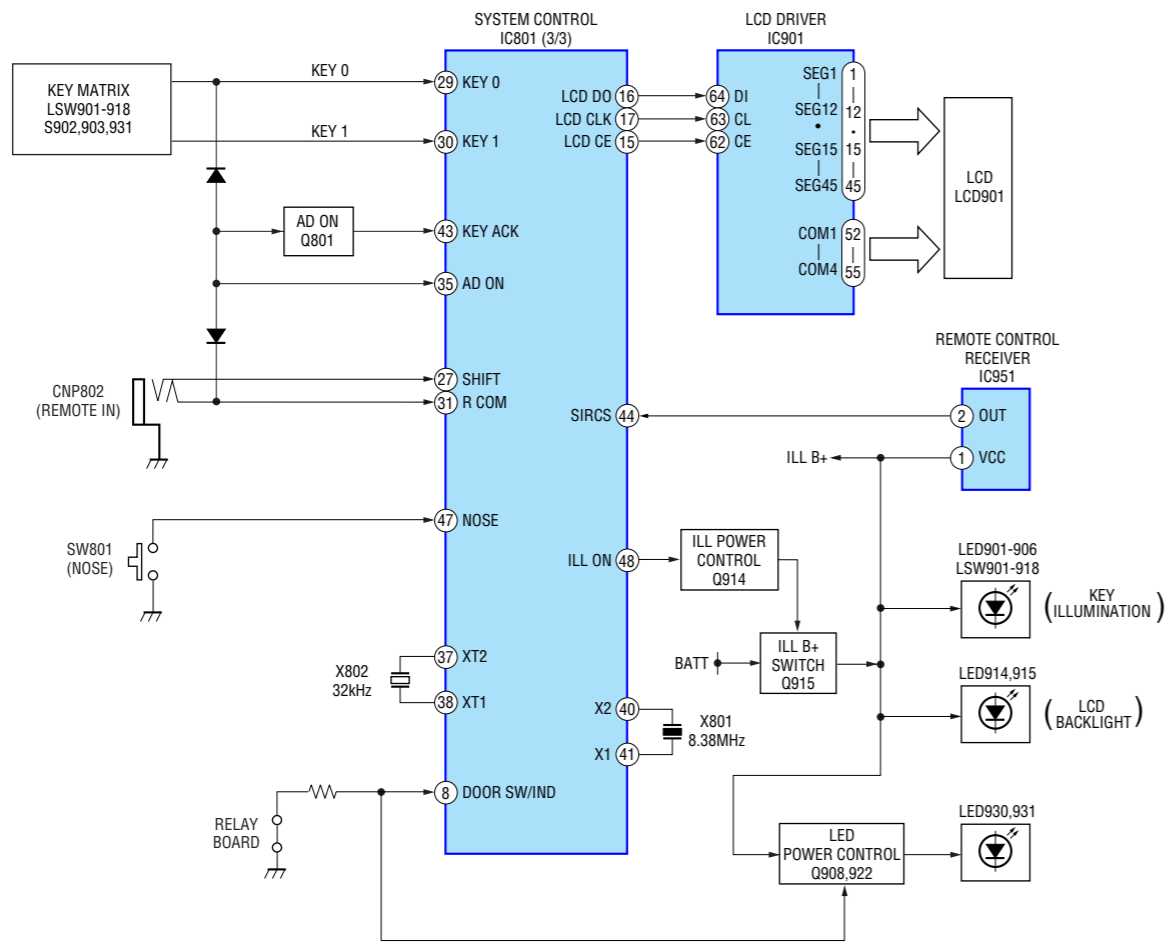
Published by Sony Engineering Corporation

SONY®

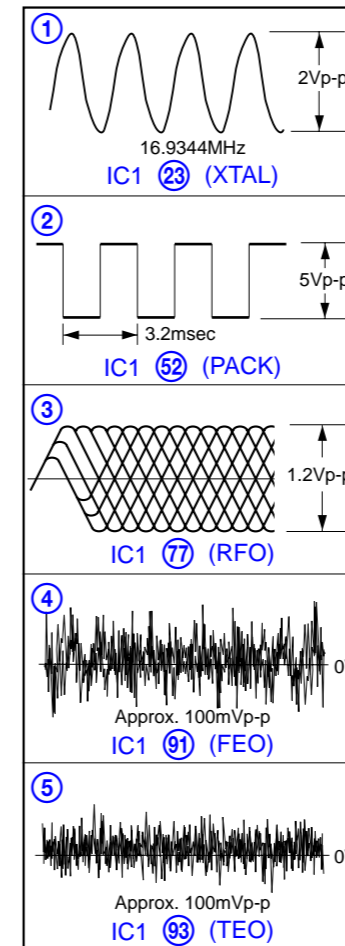
3-4. BLOCK DIAGRAM — TUNER SECTION —



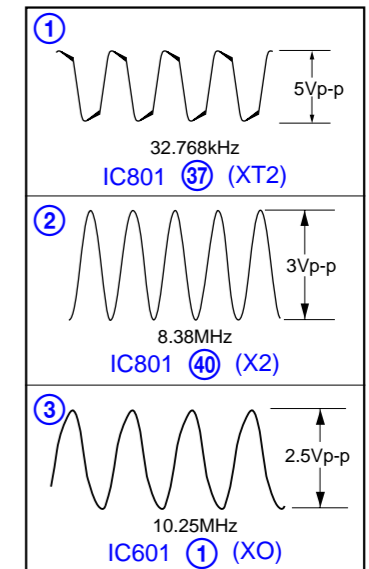
3-5. BLOCK DIAGRAM — DISPLAY SECTION —



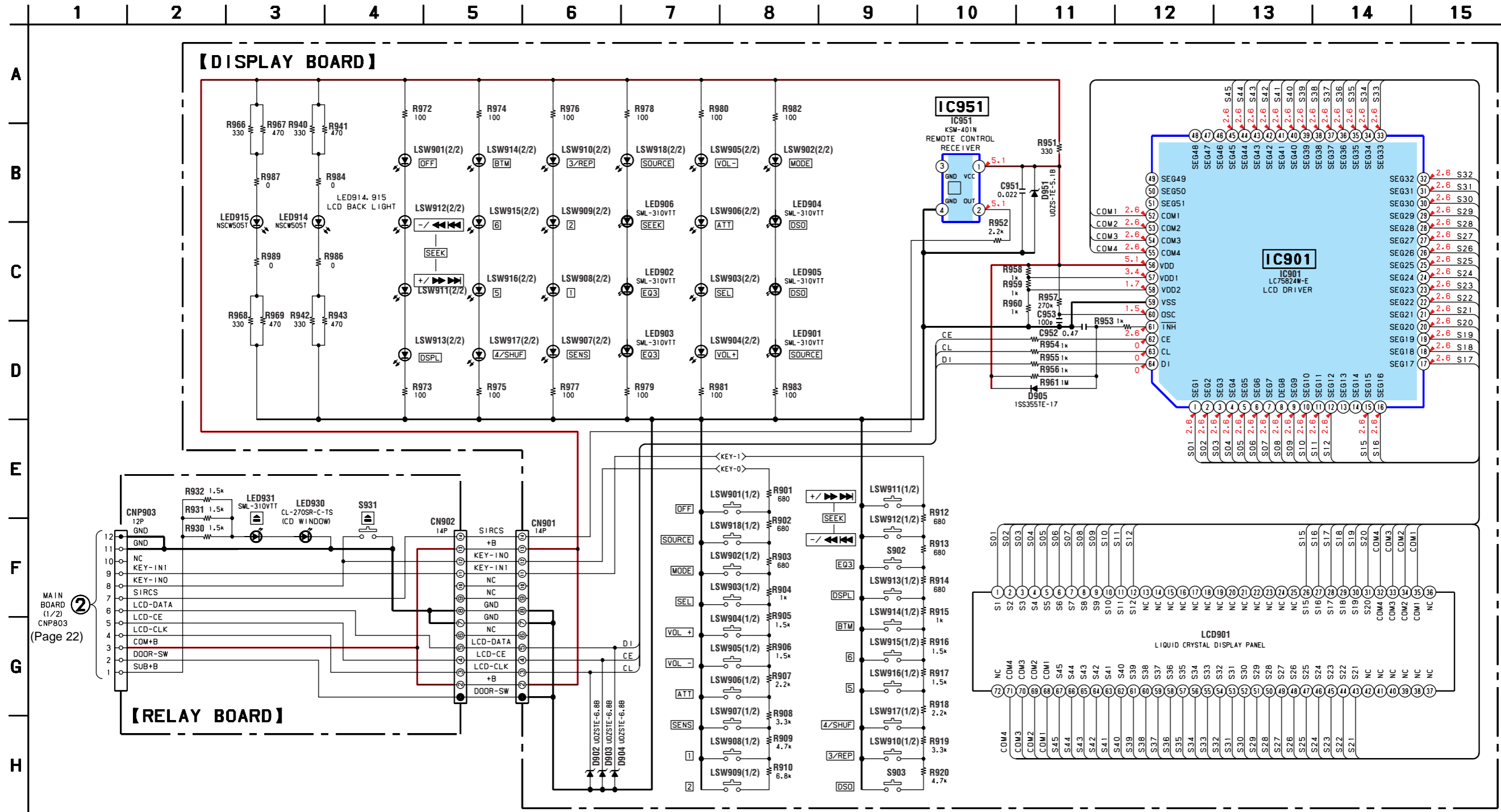
• Waveforms
— Servo Board —
(MODE: CD PLAY)



— Main Board —



3-13. SCHEMATIC DIAGRAM — DISPLAY, RELAY SECTION —



Note:
 • Voltage is dc with respect to ground under no-signal (detuned) condition.
 no mark : FM