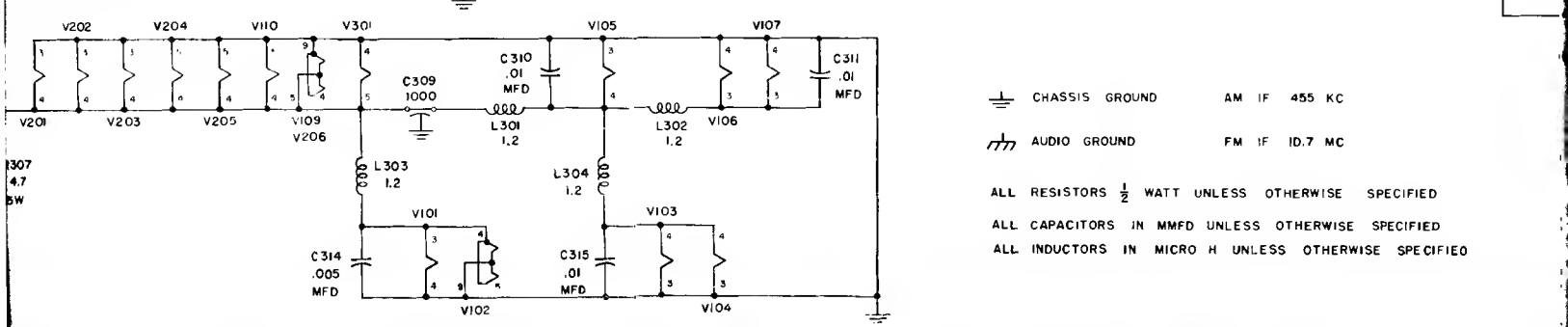
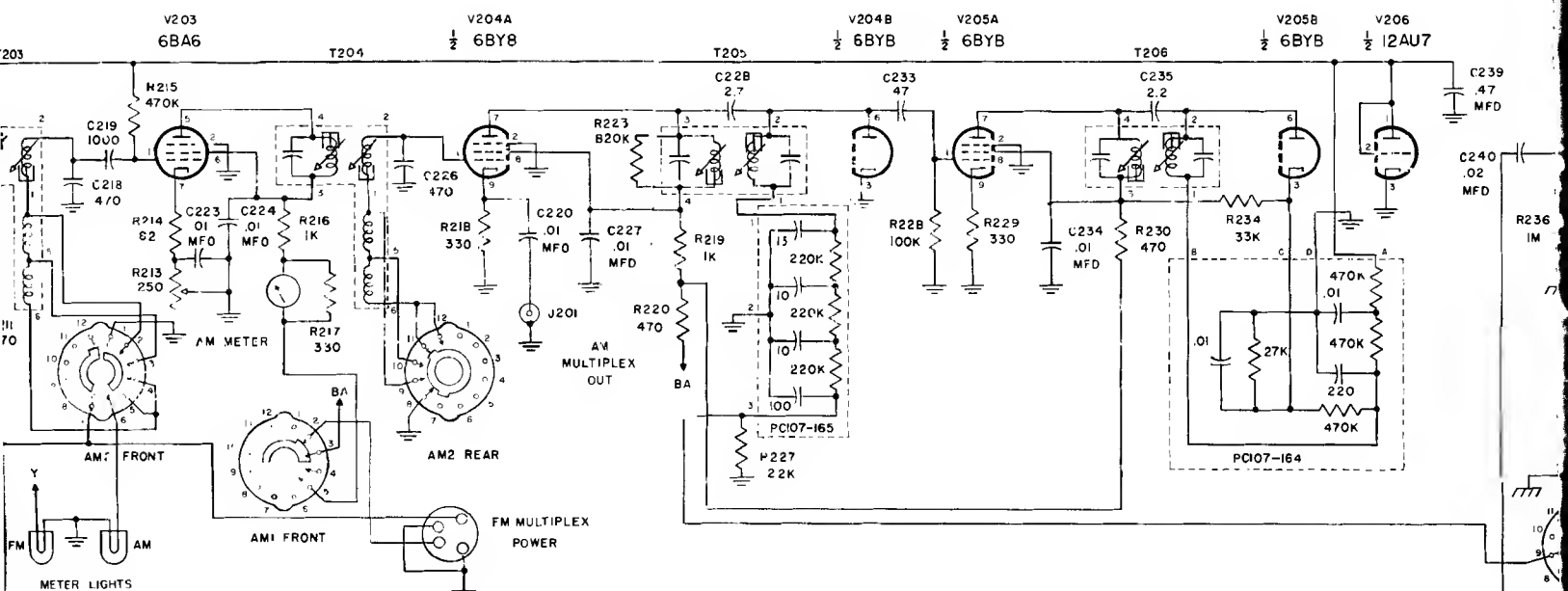
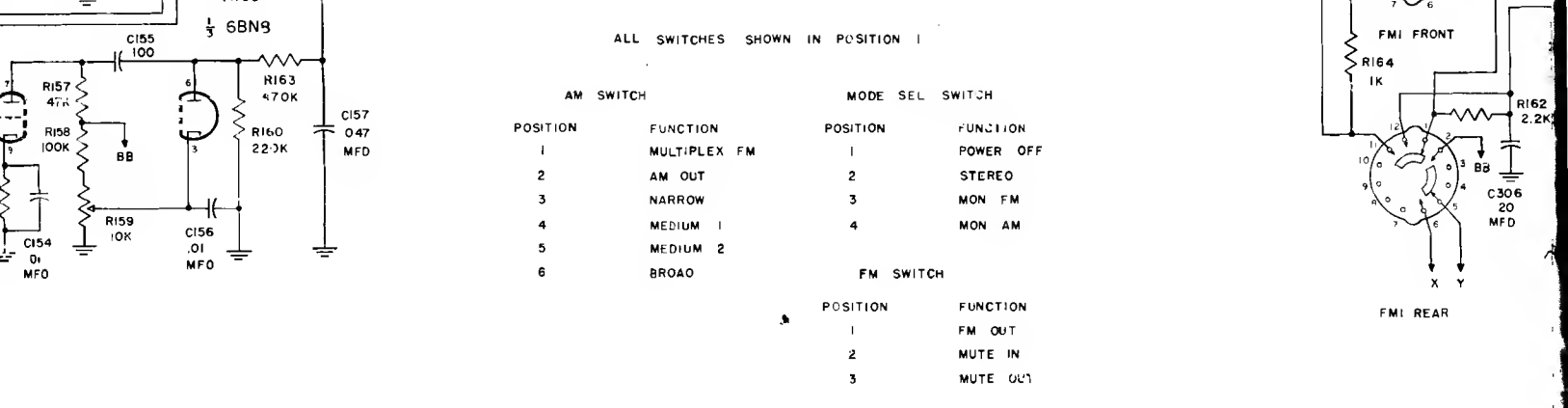


ALL SWITCHES SHOWN IN POSITION 1

AM SWITCH		MODE SEL SWITCH	
POSITION	FUNCTION	POSITION	FUNCTION
1	MULTIPLEX FM	1	POWER OFF
2	AM OUT	2	STEREO
3	NARROW	3	MON FM
4	MEDIUM 1	4	MON AM
5	MEDIUM 2		
6	BROAD	FM SWITCH	
		POSITION	FUNCTION
		1	FM OUT
		2	MUTE IN
		3	MUTE OUT

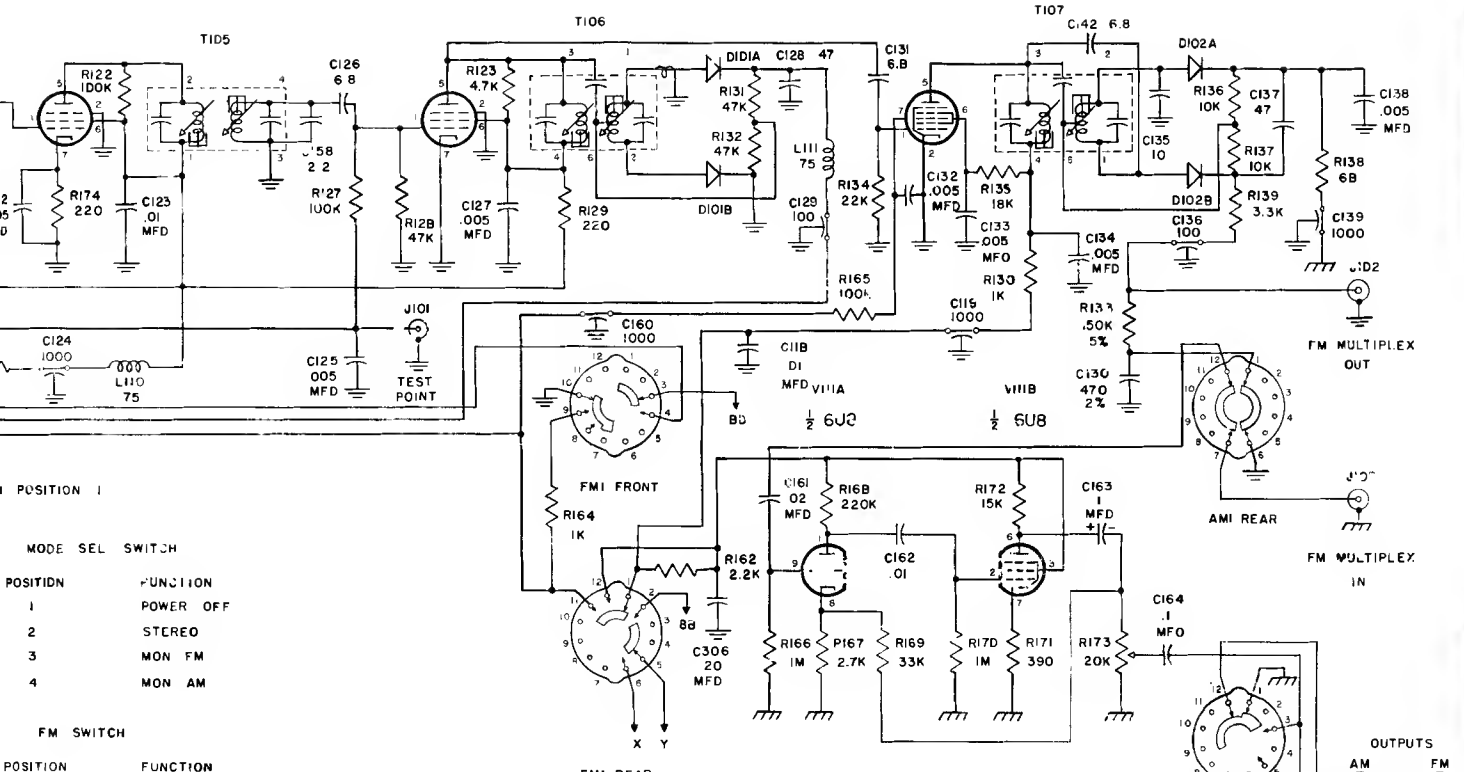


CHASSIS GROUND      AM IF 455 KC  
 AUDIO GROUND      FM IF 10.7 MC  
 ALL RESISTORS 1/2 WATT UNLESS OTHERWISE SPECIFIED  
 ALL CAPACITORS IN MMFD UNLESS OTHERWISE SPECIFIED  
 ALL INDUCTORS IN MICRO H UNLESS OTHERWISE SPECIFIED

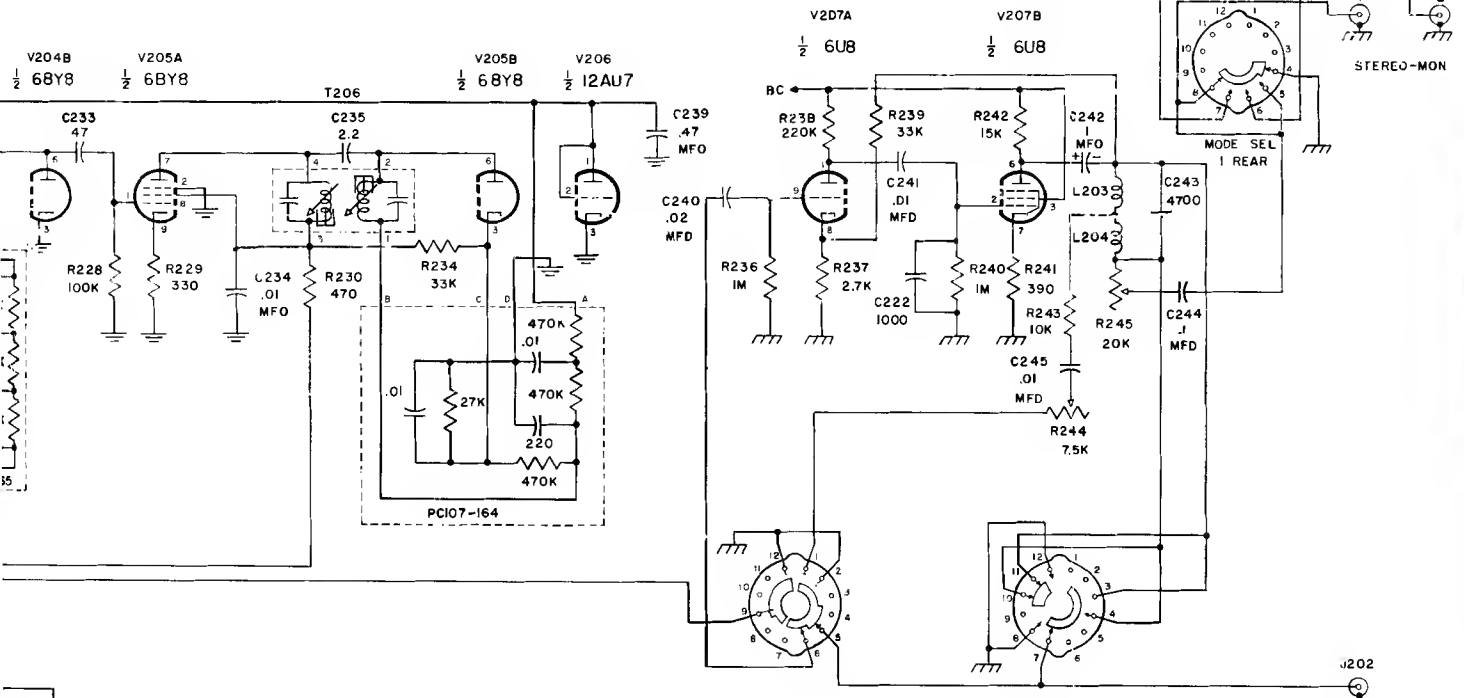
V1D5  
6AU6

V1O6  
6AU6

V1O7  
6CS6



- MODE SEL SWITCH
- | POSITION | FUNCTION  |
|----------|-----------|
| 1        | POWER OFF |
| 2        | STEREO    |
| 3        | MON FM    |
| 4        | MON AM    |
- FM SWITCH
- | POSITION | FUNCTION |
|----------|----------|
| 1        | FM OUT   |
| 2        | MUTE IN  |
| 3        | MUTE OUT |



CHASSIS GROUND  
 AUDIO GROUND  
 ALL RESISTORS 1/2 WATT UNLESS OTHERWISE SPECIFIED  
 ALL CAPACITORS IN MMFD UNLESS OTHERWISE SPECIFIED  
 ALL INDUCTORS IN MICRO H UNLESS OTHERWISE SPECIFIED

M'INTOSH LABORATORY INC. 2 Chambers St. Binghamton, N.Y.		
MR-66 SCHEMATIC		
DRAWN BY BB	SCALE	DATE
CHK'D BY	9-11-60	REV. NO.
TRACED BY	APP	SCID7-110