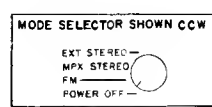


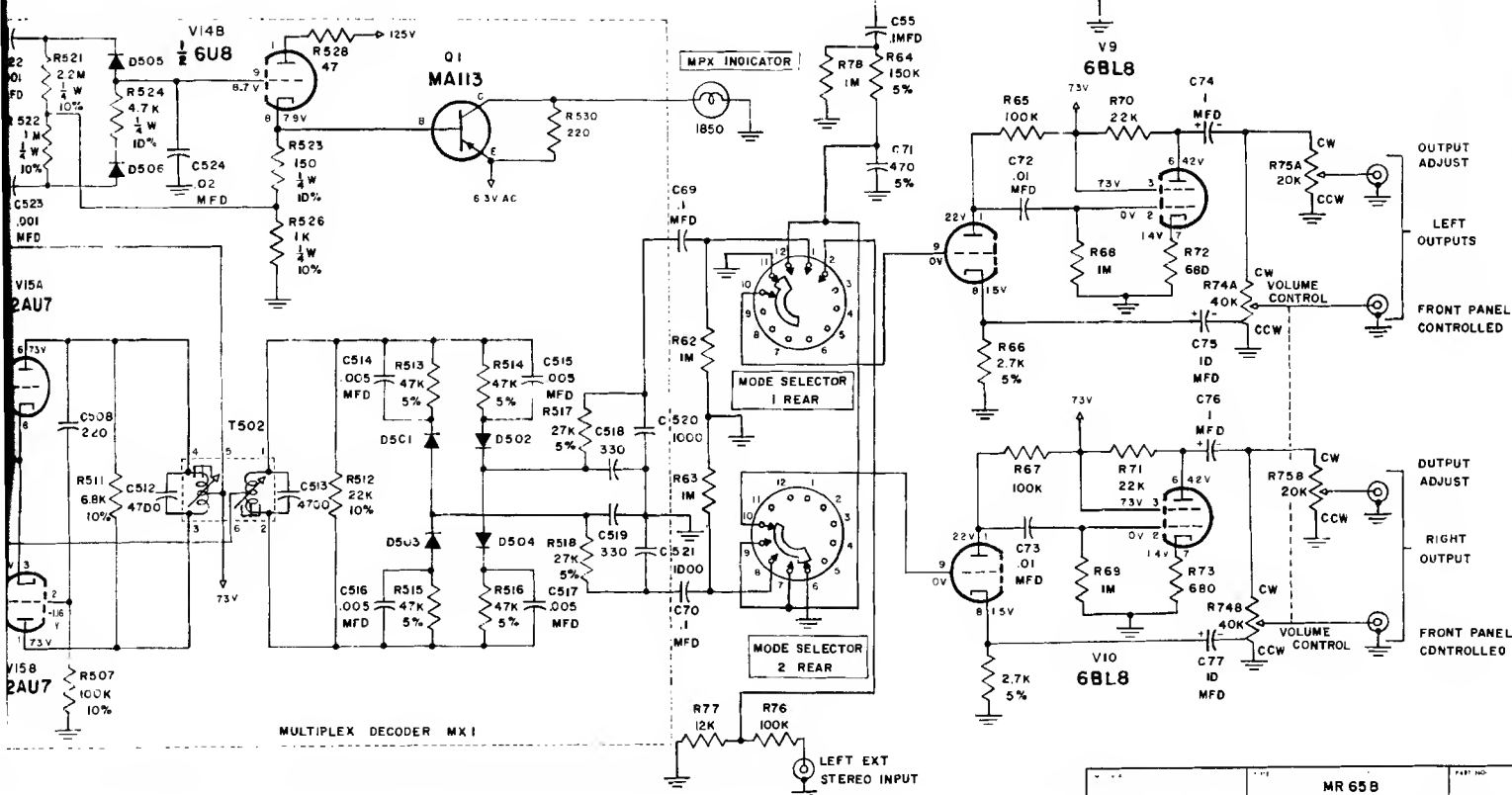
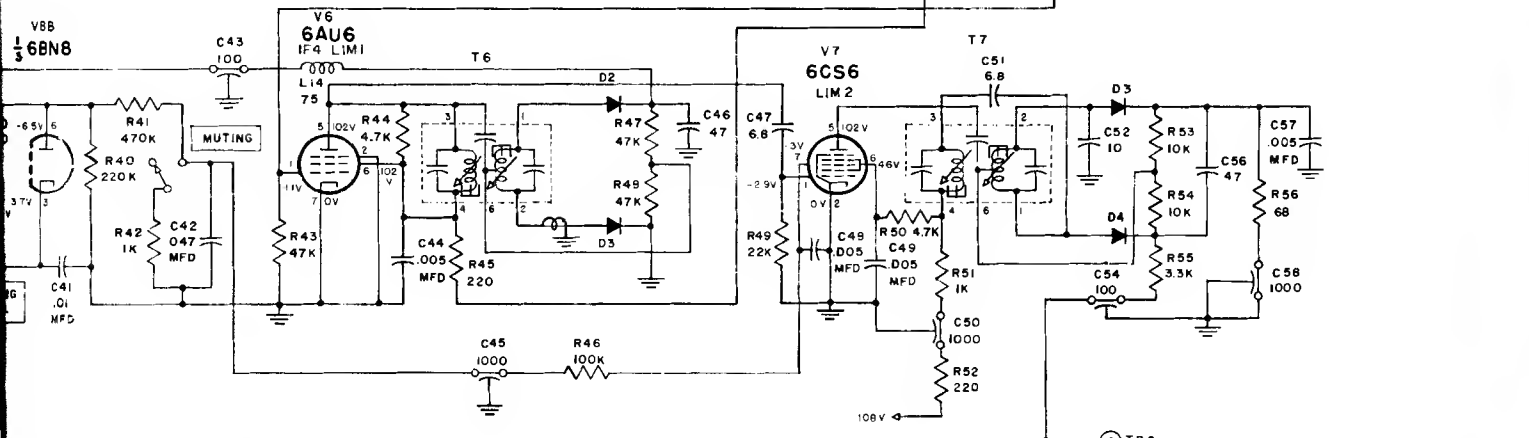
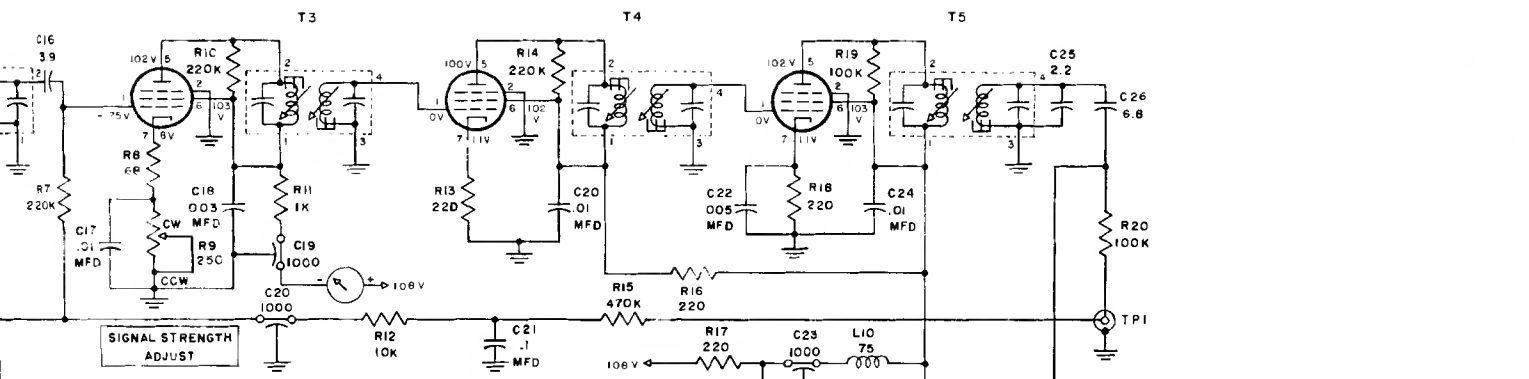
UNLESS OTHERWISE SPECIFIED
 ALL RESISTORS IN OHMS 1/2 W 20%
 ALL CAPACITORS IN PICA FARADS
 ALL INDUCTANCES IN MILLIHENRIES



V3
6AU6
IF1
SS METER

V4
6AU6
IF2

V5
6AU6
IF3



MR 65 B		PART NO.
Inlosh LABORATORY INC 1210 1st St. Bldg. 200 N. Y.		
DATE	REV.	REV.
APR 12, 1962	BB	SC 105-189

McIntosh

MODEL NUMBER: MR 65B, MX 110, MR 67

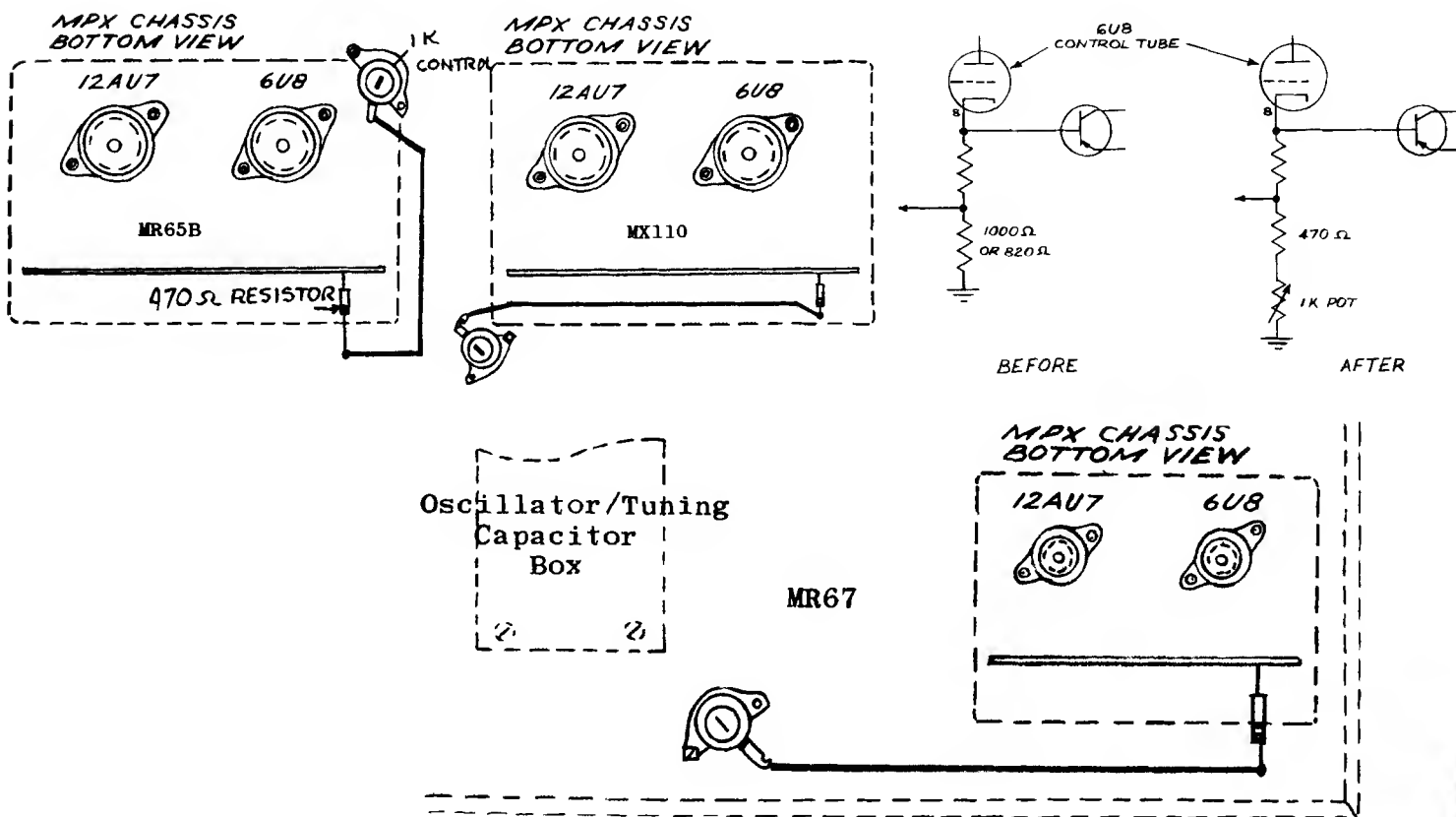
DATE: MARCH 1965

MODIFICATION: To allow adjust control for instant correction of tube and circuit variations. This will insure proper MPX indicator light operation.

PROCEDURE: This modification will allow you to adjust the MPX light on all tuners with ease. The reason for this modification is to allow simple field adjustment of varying tube and circuit characteristic.

MR 65B
and
MX 110 tuner/preamp.

1. Install 1K control (WC 807) to MPX chassis. Use the existing MPX chassis mounting screw.
2. Remove the 820 ohm or 1K ohm resistor. (cathode circuit of 6U8)
3. Solder one end of 470 ohm resistor to bottom hole nearest the chassis.
4. Connect a lead from other end of the resistor to the terminal lug on a 1K control.



1. Install 1K control to the tuner chassis under the existing screw as shown in the diagram.

2. Follow steps 2, 3, 4, as above.

TO ADJUST THE CONTROL: Tune to point of no station. Place mute to "IN" position. Turn control from full clockwise position to a point where the light just goes out.